



LOCK-N-LOAD™ Anchor System Installation Instructions

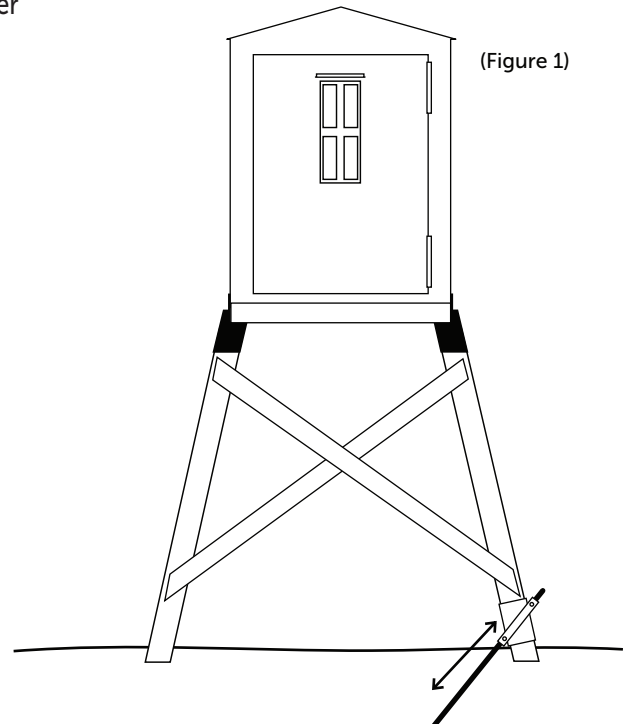
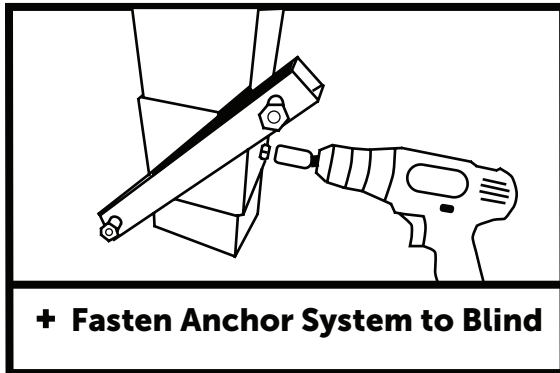
Tools and Parts Needed:

- Ratchet or Cordless Drill • 5/16" Socket or Wrench • Sledge Hammer
 (4) - 5/8" x 6' #5 Galvanized Rebar (not included)
 (24) - 5/16" x 1 1/2" Lag Screws (not included)

Directions: (Read entire directions before installing)

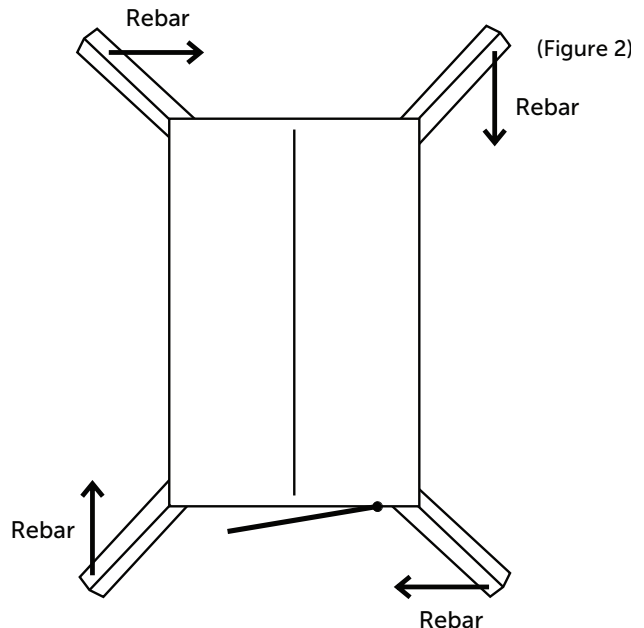
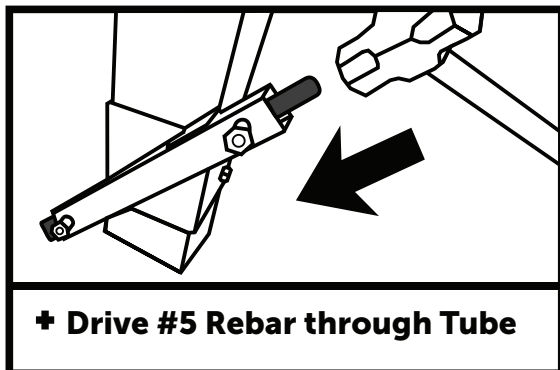
Step 1 - Attaching Anchor Brackets

- 1.1 Start with the leg on the left side of the door (see Figure 1). Measure 4" up from the bottom of the leg & mark a line. Place the bottom of the bracket on the line.
- 1.2 Hold bracket in place and drive six 5/16" x 1 1/2" lag screws into the 6 holes in the bracket.
- 1.3 Repeat step 1 for the other 3 brackets. (See diagram below)



Step 2 - Drive Rebar Into The Ground

- 2.1 Follow the rebar direction pattern (see Figure 2).
- 2.2 Take your #5 - 6 foot rebar and insert into the tube and drive it into the ground with a sledge hammer.
- 2.3 Make sure the rebar is flush with the top of the tube so it does not stick out the top of the tube.
- 2.4 Tighten the two 5/16" set bolts until rebar is secure and tight.



CAUTION: Consideration prior to driving rebar: Identify sub surface hazards or obstructions that may exist in the ground. Contact your local utility company regarding locations of gas lines, sewer lines, electrical and drainage lines.

Soil Disclaimer. Many different soil types exist. *Not recommended for soft, sandy, unstable soil conditions.

NOTE: User responsible for proper installation and effectiveness of this anchor system.

SUMMIT OUTDOORS, LLC

7201 Engle Rd, Fort Wayne, IN 46804-2228 • Toll Free: 1-888-446-4868
 for complete video instructions visit shadowhunterblinds.com or elevatorsllc.com