

Bill of Materials Needed:

- (36) 5/16" x 2" Lag screws - galvanized
- (1) box 3" Deck screws - coated
- (4) 4x4 Posts 4'-10' Treated ground contact
- (8) 2x4 Treated deck boards cross braces
 - See chart for length

For Blind Anchor System (Sold Separately):

- (4) 5/8" x 6' #5 Galvanized Rebar (not included)
- (24) 5/16" x 1 1/2" Lag Screws (not included)

Note: For simplified assembly, Summit Outdoors recommends using structural lags, such as Saber Drive Construction Lag & Timber Screw (part # 51952), in place of the described 5/16" x 2" traditional lags. Structural lags do not require pre-drilled holes.

LEG LENGTH	CROSS BRACE LENGTH
4' LEGS	6'
6' LEGS	8'
8' LEGS	10'
10' LEGS	12'

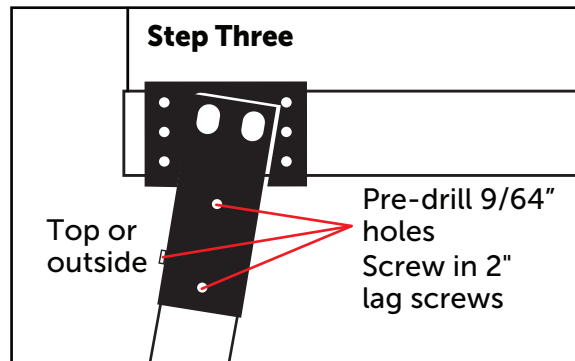
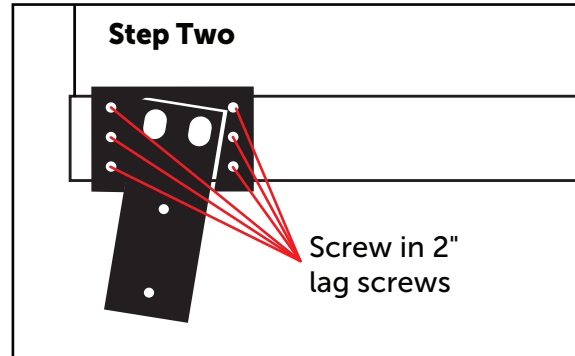
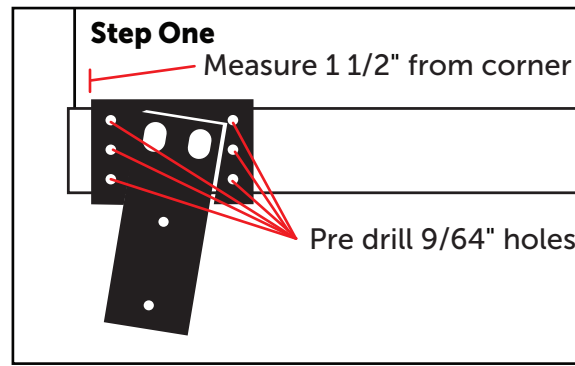
What You Need:

- Cordless drill
- Hand saw cross cut
- 9/64" drill bit
- Shovel (to level legs)
- Socket wrench
- Phillips screw driver
- Sledge Hammer (for Blind Anchor System)
- 1/2" deep well socket or driver bit to fit lags



LEFT

RIGHT



1,000 lb. Weight Capacity

Step One - Install Elevator brackets

- 1.1- Lay the shadow hunter blind on its back door side up. Prop the bottom front of the blind up on a block. Careful not to scratch or bend the aluminum.
- 1.2- Measure 1 1/2" from each corner and make a line. Use the Elevator to mark and pre-drill 9/64" pilot holes to avoid splitting the frame member. (Repeat all 4 sides)

Step Two

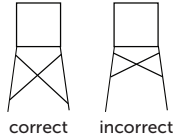
- 2.1- Remove any screws from the blind that would keep the Elevator plate from sitting flush.
- 2.2- Secure the brackets with 2" lag screws in the bottom four holes to finish mounting the brackets to the blind.

Step Three

- 3.1- Insert the 4x4 legs into the Elevators.
- 3.2- Hold the legs in place for the optimum angle when tightening lag screws.
- 3.3- Pre-drill 9/64" pilot holes to avoid splitting the leg.
- 3.4- Secure the legs with 2" lag screws in the front two holes and the outside hole.
- 3.5- Optional Adjustable Ladder Platform should be installed at this time. Skip to 8.1 if you decide to add the ladder.

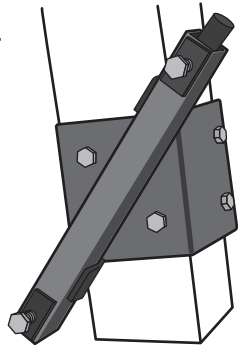
Step Four - Leg Bracing

- 4.1- Screw 2x4 cross members to the outside of the two outside legs on each side.
- 4.2- Screw 2x4 cross members to the inside of the top and bottom legs. (See diagram)
- 4.3- Slowly lift up blind standing it up right on the legs.



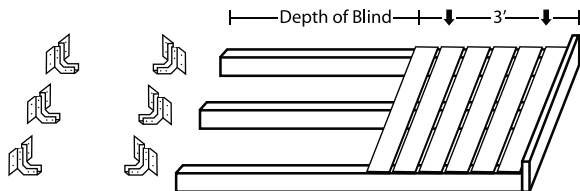
correct incorrect
INSTALL CROSS MEMBERS BEFORE ELEVATING

Anchoring your Blind or Platform: It is very important that your blind or platform is anchored to avoid injury or damage. Soil and ground conditions vary for each location. Be sure your anchor system is appropriate for your area. There are several ways you can anchor your blind. We recommend that you use our **Lock-N-Load Anchor System** (item #SHBAS).



See complete "Lock-N-Load Anchor System" installation instructions at: shadowhunterblinds.com, as well as other anchoring alternatives.

Optional Access Porch

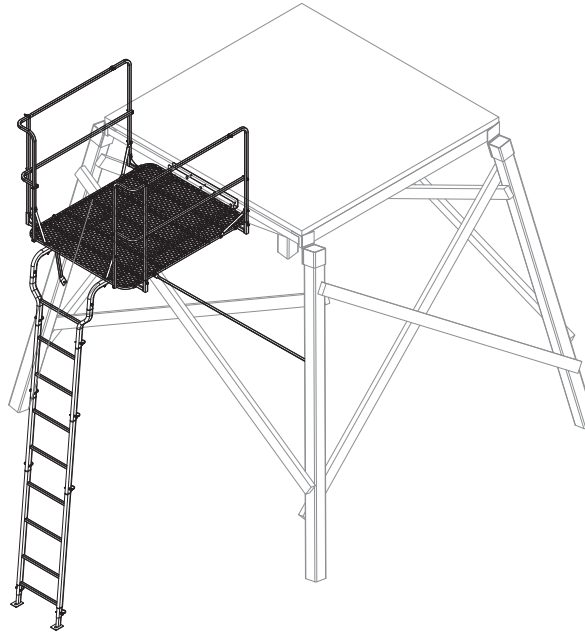


Visit shadowhunterblinds.com for complete instructions and online video

Adjustable Ladder Platform

We recommend attaching our Shadow Hunter Adjustable Ladder Platform (item #SH33LP).

Visit shadowhunterblinds.com for more information.



IMPORTANT

NEVER CLIMB LADDER INTO OR OUT OF A BLIND WITH A LOADED GUN.



SUMMIT OUTDOORS
6714 Pointe Inverness Way, Suite 200
Fort Wayne, IN 46804
Toll Free 1-888-446-4868
www.shadowhunterblinds.com



Installation Instructions Elevator Brackets



For use with
4x4 Posts

- Multi-angled leg mounting for maximum stability
- The easiest way to elevate your outdoor platform
- Uses 4x4 posts for legs

Heavy-Duty High Strength Steel | Welded Construction | Powder Coated Finish

4 BRACKETS



Review instructional video online using the QR Code, or at:

shadowhunterblinds.com

