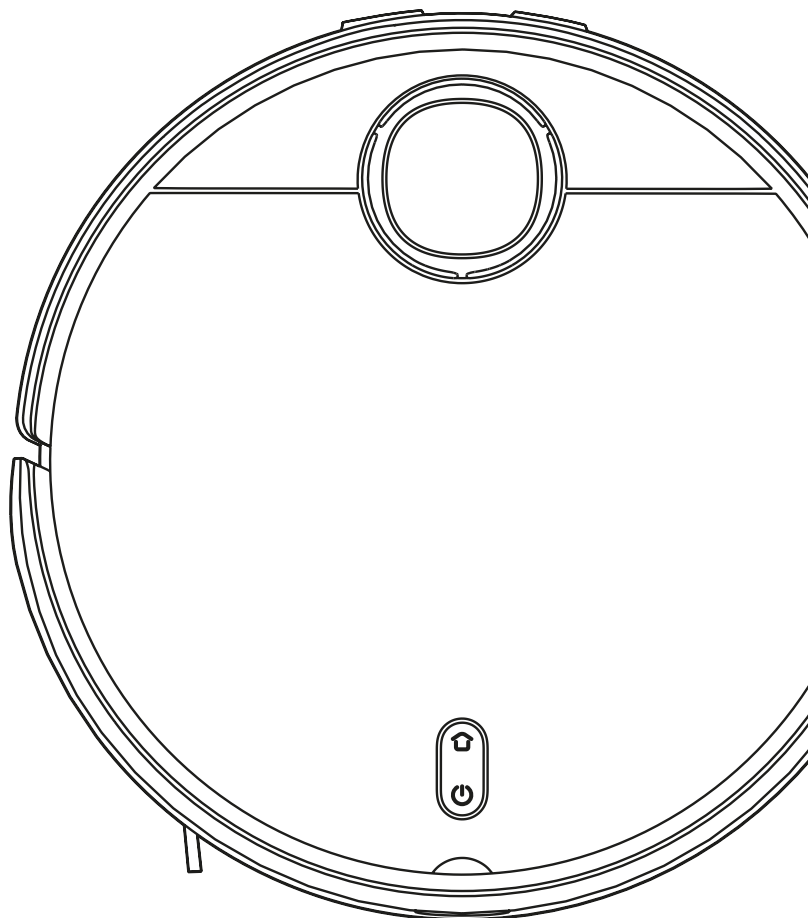


M1S

Robot Vacuum Cleaner

User Manual



English

Deutsch

Español

Français

Italiano

Find more information at
www.zaco.eu

| ZACO

Dear Customer,

Thank you for purchasing ZACO M1S robot vacuum cleaner!
You are now part of the ZACO Family! You've joined the millions of people who clean with ZACO.

Please take a few moments to read this manual and get acquainted with your robot and to get the best performance from your robot. If you have any problem, please don't worry, please contact our customer service first or visit our website at www.zaco.eu for more information.

ZACO Customer Service

ZACO Customer Service

Customer Service Number

00800-42377961 (European Free Call)

0209-513038-38 (Direct Line - DE)

support@zaco.eu | www.zaco.eu

Robovox Distributions GmbH

Hamburger Straße 11 | 45889 Gelsenkirchen | Germany

Social Media

 [RobovoxZACO](#)  [zaco_robot](#)  [ZACO Robot](#)

Contents

Safety Instructions	4
Use instructions	4
Environmental Implications / Battery Removal	6
Product Overview	8
Box contents	8
Robot	9
Cleaning station	10
Status of the robot / Status of the cleaning station	11
How to use	12
Cleaning station	12
Installing the dustbin	15
Installation of clean water tank and mop	16
Operation	17
App download	22
Maintenance	23
Dustbin	23
Dirty water tank / dirty water sieve	25
Main brush / side brush	26
Front wheel	27
Filter pipe of clean water tank	28
Troubleshooting	29
Product Specification	32
Frequency Band / EU Declaration of Conformity	33

Safety instructions

**WARNING!**

The Navigation Sensor contains a Class 1 rotating laser per IEC/EN 60825-1 during all procedures of operation.

- Never aim the laser at other people.
- Never look directly at the laser or reflected beam.
- Always switch the robot vacuum off during any maintenance tasks.
- Modifications (changes) or attempts to repair the robot vacuum cleaner or the navigation sensor are strictly prohibited and may result in hazardous radiation exposure and loss of warranty.

Use instructions

1. This product is only used for floor cleaning in home environment and should not be used in outdoor, non-floor, commercial or industrial environment.
2. This product may not be used by people with physical, sensory, or intellectual disabilities and people without relevant experience and knowledge (including children), unless there is an adult present to ensure that they can use this product safely.
3. Please do not allow children to play with the robot as a toy. When the robot is in operation, please make sure children and pets are as far away from the product as possible.
4. If the power cable is broken, it must be replaced by the manufacturer or maintenance department.
5. Please do not put children or pets or any objects on the robot at any time.
6. Do not place the cleaning brush in the area where children can touch it.

Safety instructions

7. Please do not use the laser cover as a handle to lift the robot.
8. Please do not use the product in a suspended environment (such as double floors, open balconies, or tops of furniture) without protective rails or barriers.
9. Do not use it in an environment where the temperature is higher than 35°C, lower than 0°C or there are any liquids and sticky objects on the ground.
10. Do not use the robot to clean any burning objects.
11. Before use, please remove or tidy all wires on the floor to avoid dragging during operation.
12. Please remove fragile objects and sundries on the floor (such as vases, plastic bags, etc.) to avoid damaging the precious articles due to obstruction or mild collision during operation.
13. Please do not use the mopping mode on carpet. When cleaning the floor, please set up virtual walls or no-go areas around the carpeted area.
14. Do not let the robot vacuum hard objects or sharp objects (such as decoration waste, glass, and nails, etc.).
15. Please clean and maintain the robot and the charging station when the power is off.
16. Please do not put the robot upside down on the floor.
17. Please follow the product manual or quick guide to use the product. In case of any loss due to improper use, the user shall take the consequences on his / her own.
18. Before transportation, please make sure the robot is switched off.

Safety instructions

Use instructions

1. Do not use any third-party battery, power cable or cleaning station.
2. Do not disassemble, repair or modify the battery or cleaning station.
3. Do not wipe or clean the charging points of the cleaning station with wet cloth or wet hands.
4. Do not place the cleaning station near the heat source (such as radiator).
5. Before scrapping the robot, turn the power off and remove the battery.
6. If the product is to be stored for a long time, charge it fully and store in a dry area in the shade.
7. It is recommended to charge it at least once every 3 months to avoid battery damage.

Environmental Implications

The chemicals contained in the built-in lithium-ion battery may pollute the environment. Before scrapping remove the battery and dispose of responsibly and carefully according to local rules and regulations.

Battery Removal

The instructions below apply only when storing the robotic vacuum cleaner. It is not for routine operations:

1. Run the robot until the battery is too low to work.
2. Switch off.
3. Remove the bottom shell of the robotic vacuum cleaner.
4. Press the buckle to pull out the connector plug and remove the battery.

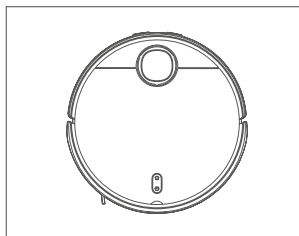
Safety instructions

Note:

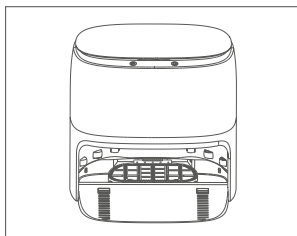
1. Please remove the entire the battery pack as a whole and avoid damaging its shell in case of short circuits or hazardous substance leakage.
2. If the battery leaks and the user is accidentally exposed to it, please rinse with a large amount of water immediately and seek medical advice.

Product Overview

Box contents



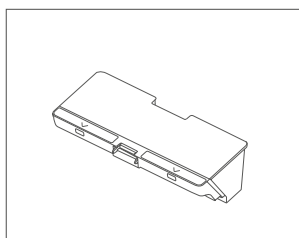
Robot



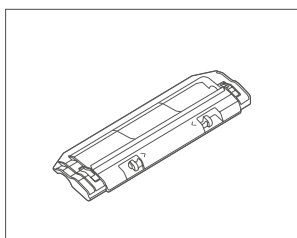
Cleaning station



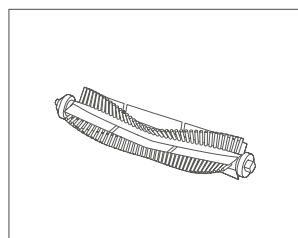
Clean & dirty water tank



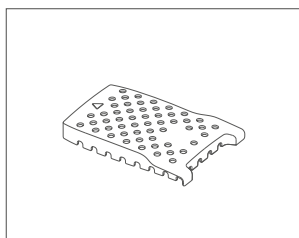
Dustbin



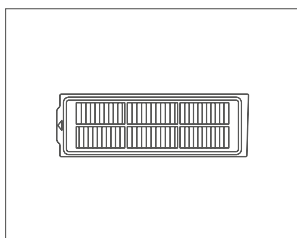
Main brush cover



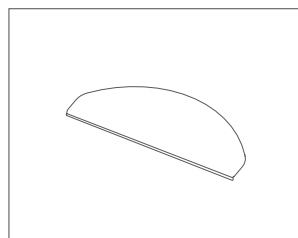
Main brush



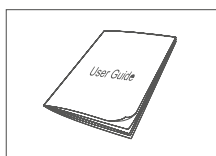
Dirty water sieve



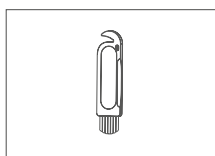
Filter screen



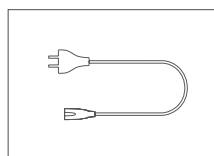
2x Mop



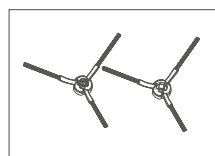
User manual



Cleaning tool



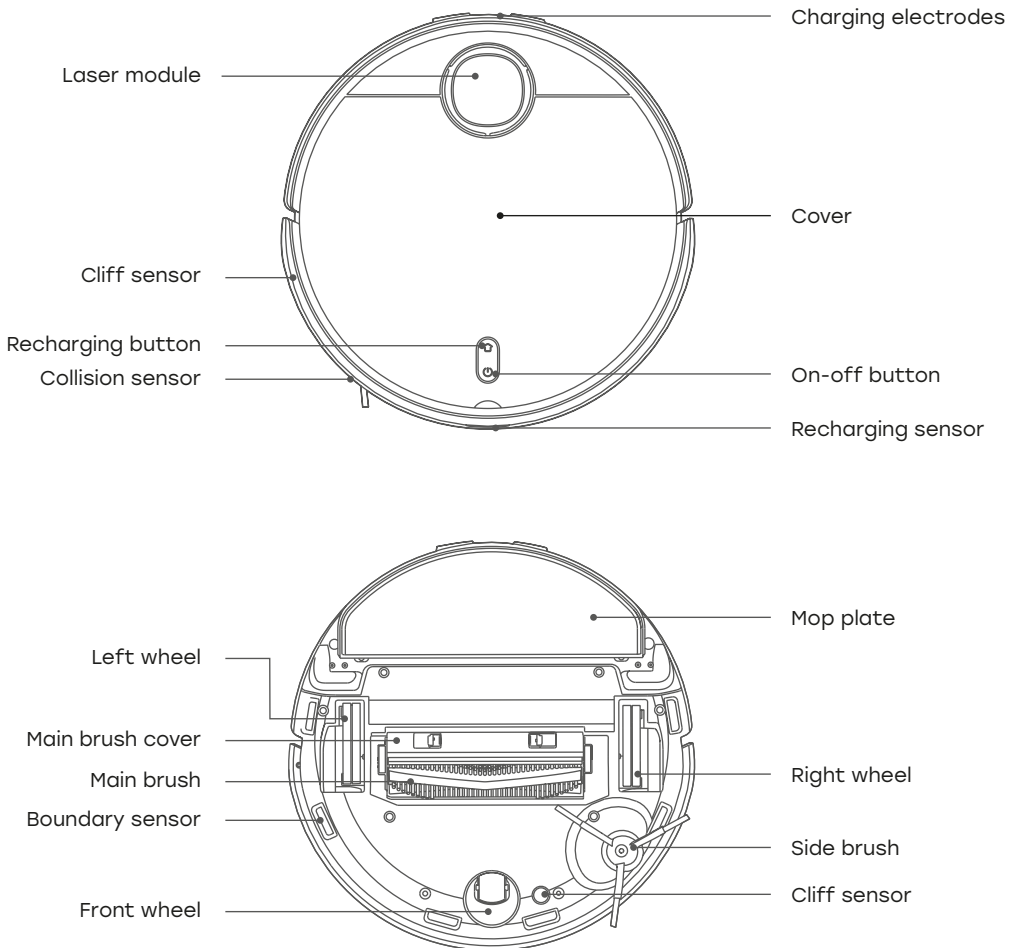
Power cable



2x Side brush

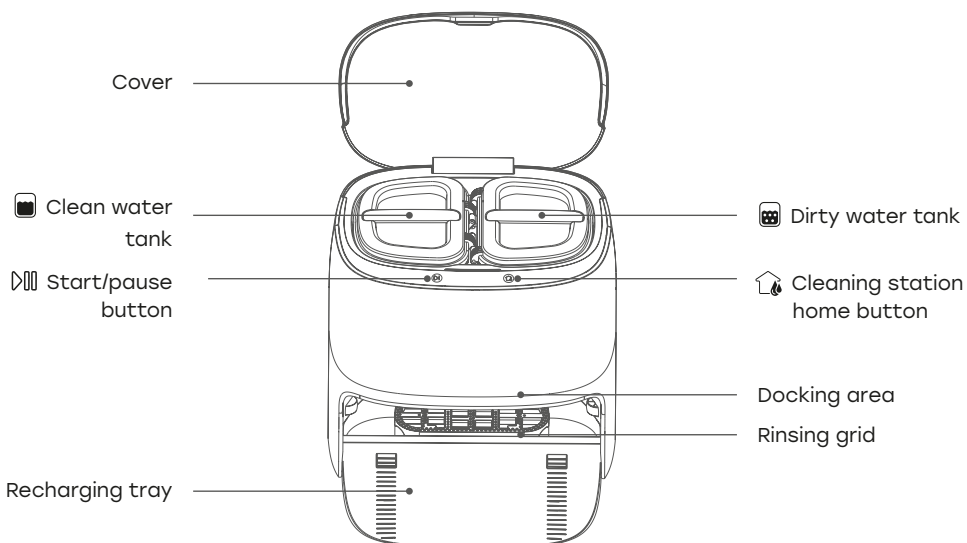
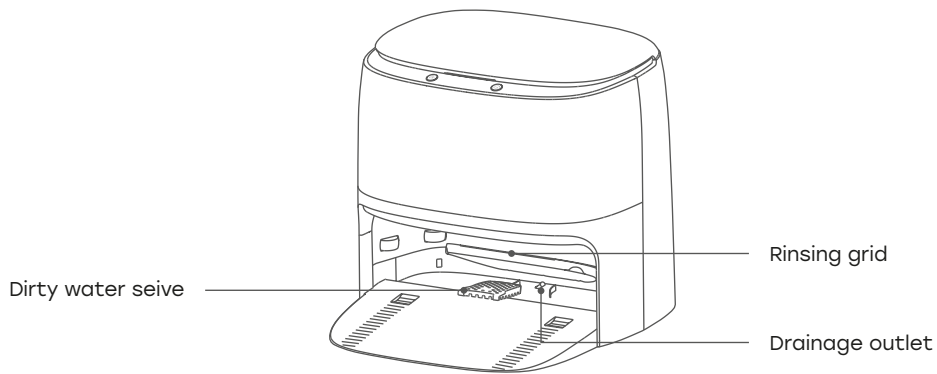
Product Overview

Robot



Product Overview

Cleaning station



Product Overview

Status of the robot

Light signal	Solution
White light is always on	The robot is normal
White light pulsing	Robot is charging
White light flashes	Robot recharging / firmware upgrading
Yellow light is always on	Robot Wi-Fi is offline
Yellow light flashes	Robot error
The light of robot is off	Robot is off

Status of the cleaning station

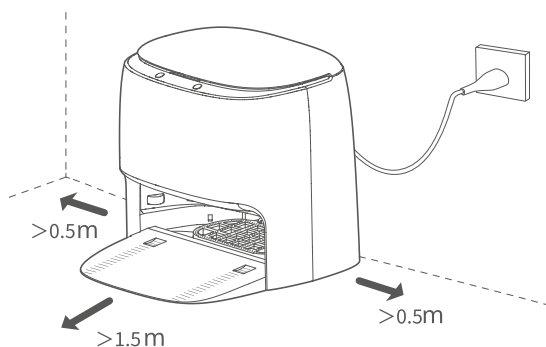
Light signal	Solution
White light is always on	Cleaning station is normal
White light pulsing	Robot is cleaning
White light flashes	Cleaning station error

How to use

Cleaning station

1. Installation

Place the charging station against the wall and insert the power cable.



Note

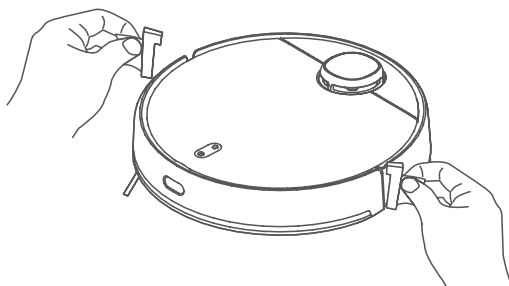
1. Do not place the cleaning station in direct sunlight.
2. Please ensure a space of at least 0.5m on both the left and right sides of the cleaning station, and a space of at least 1.5m in front of it as shown.
3. Pay attention to the power cable, otherwise it may be dragged by the robot, causing the cleaning station to move or power off.
4. The clean water tank, dirty water tank, and rinsing plate must be installed in place.

How to use

Cleaning station

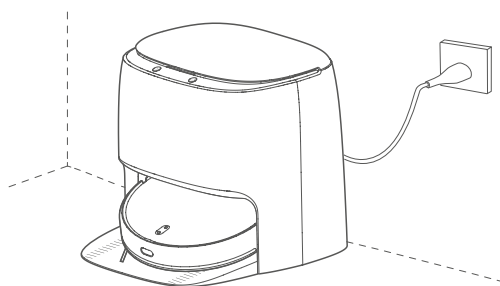
2. Remove the anti-collision bars

Before use, be sure to remove the anti-collision bars on both sides of the robot.



3. Power on and charging

When using for the first time, please place the robot to the charging contacts of the cleaning station to charge. In daily use, directly press the cleaning station home button to start charging.



How to use

Cleaning station

Start/pause button

1. In stand-by mode push to start cleaning.
2. While cleaning push to pause cleaning.
3. Press to stop recharging.



Cleaning station home button

1. When the robot is in the cleaning station press for a short time to start/pause rinsing.
2. When the robot is in operation, press to return to the cleaning station and recharge
3. Robot in station on stand-by press for a long time to start/stop air drying.

Note

1. The robot will start up automatically after docking with the cleaning station and cannot be shut down during charging.
2. The clean water tank, dirty water tank, and rinsing plate must be installed in place.

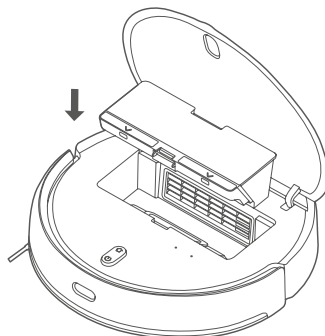
How to use

Installing the dustbin

Open the top cover at the opening, put the dustbin into the robot and make sure that the latch is secure.

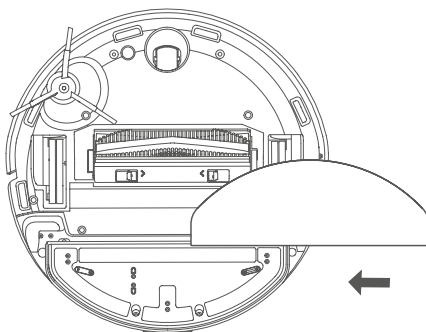
Note

Clean the dustbin regularly to maintain peak cleaning performance.



Installation of clean water tank and mop

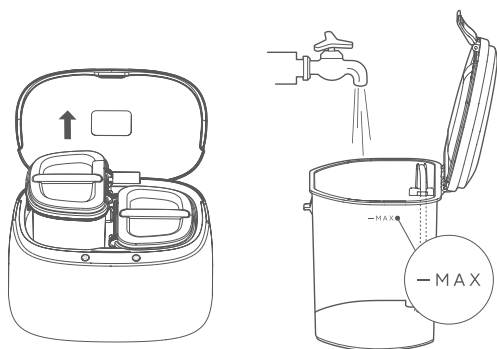
1. As above, insert the mop cloth from the open side of the mop plate. Press mop down securely.



How to use

Installation of clean water tank and mop

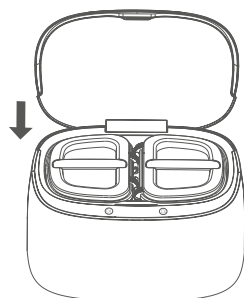
2. Take out the clean water tank and add tap water below the maximum water level as shown.



Note

Please check the dirty water tank regularly. If full then empty.

3. Install the clean water tank and dirty water tank into the cleaning station and close the cover.




Note

1. Do not use sterilized water or detergents.
2. Do not use hot water in the clean water tank.
3. Please clean up any excess water in the cleaning station regularly.

How to use

Operation

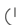
1. Power on/off

Press and hold the  until the robot turns on or off.

2. To start cleaning

Press  to start cleaning.

3. Pause

When the robot is running, press the  button to pause cleaning or continue cleaning.

4. Memory map

The robot will save a map to your APP automatically after it has successfully completed a cleaning run and returned to the base for recharging. With this map you can create zones, name rooms and much more.


5. Vibrating mop mode

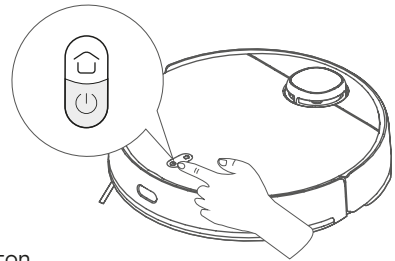
Vibrating mopping mode is activated by default in the APP. This mode will provide greater cleaning performance.

6. Model / level selection

In the APP, a variety of cleaning modes and power levels can be selected.

7. Robot recharging

After the robot has completed cleaning, it will automatically recharge, and determine whether to clean the mop according to the cleaning mode. If the robot is outside of the station, press the  button of the robot to start recharging.



How to use

Operation

8. Filling and emptying the water tanks when applicable

Please fill the clean water tank with tap water before starting the robot.
Please empty the dirty water tank regularly.

Note

Do not to use cleaning products such as detergent, disinfectant, and solid detergent to avoid corrosion and damage to the equipment.




9. Scheduled cleaning

From the APP you can set up a cleaning schedule so the robot will automatically clean on certain days and times.

Note

Scheduled cleaning will not be carried out during the time when non-disturbance mode is activated from the APP.

10. Equipment recharge

During operation, the robot will automatically return to the cleaning station to clean the mop cloth regularly. After rinsing is completed, the robot will automatically return to the point where it let off to continue cleaning. While the robot is cleaning, press the  button of the cleaning station for a short period of time, and the robot will return to the cleaning station and rinse the mop cloth. While the robot is cleaning, press the  button of the robot for a short period of time, and the robot will return to the cleaning station, rinse the mop cloth and then enter stand-by mode. While in stand-by mode, press the  button of the cleaning station for a short period of time to rinse the mop cloth. After cleaning the robot will enter the stand-by mode.

How to use

Operation

11. Virtual wall / no-go areas

The user can define virtual wall/ no-go-areas within the APP for the robot.

Note

1. Before using this function, you have to create and save a map in the APP.
2. Moving the robot or changes within the indoor environment may lead to a loss of the original map and any virtual wall/ no-go areas.

12. Auto-Resume

This product has the function of auto-resume. During the cleaning process, when the power is low, the robot will automatically find the cleaning station to charge. After charging, the robot will return to the point where it left off to continue cleaning. If the cleaning is manually interrupted or the robot is moved or operated during recharging or charging, this auto-resume will be cancelled.

13. Default cleaning

When no map is stored, and if default cleaning is chosen, the robot will start cleaning in intervals of 6 m × 6 m. Once a map is stored, if default cleaning is selected, the robot will start cleaning each room along the planned route.

14. Edge cleaning mode

When choosing edge cleaning in the APP, the robot will automatically start cleaning along the edges of your room.

Note

During cleaning, the robot may go beyond a defined area, so be sure to remove any obstacle on the floor within defined area since definition of any area will not ensure safe separation.

How to use

Operation

15. Spot-mode cleaning

When choosing spot-mode cleaning in the APP, the robot will clean selected area as a 2m x 2m square.

16. Non-Disturbance Mode

When non-disturbance mode is activated, scheduled cleaning and active voice reporting are unavailable. Non-disturbance mode is activated by default during the period from 23:00 to 9:00. Non-disturbance mode can be deactivated from the APP.

17. Carpet identification

If a carpet is identified during operation, the vacuum function will automatically turn on and the mop is lifted. This function can be turned off by using the carpet avoidance function in the APP. The robot will then automatically avoid carpets

Note

For children's floor mats, yoga mats, sponge mats and short pile carpets, there may be misjudgements, which will not affect the normal use. Virtual walls / no-go-areas can be set to prevent the robot from entering areas that do not need cleaning.

18. Stand-by mode

The robot will go to stand-by mode automatically when it is left idle for 5 minutes.

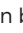

Note

Robot will not go to stand-by mode automatically on the cleaning station.

How to use

Operation

19. Resetting Wi-Fi

When your router or Wi-Fi access password has been changed, you have to reset your Wi-Fi connection by pressing and holding both  and  for 7 seconds while the robot is switched on. The Wi-Fi connection is reset successfully when a voice prompt "Wi-Fi reset and network configuration activated" is audible.

20. Resetting system

Press the reset button for 3s. When you hear "successfully reset the system", the robot will restart automatically, and relevant settings such as scheduled cleaning and Wi-Fi will be reset to the factory state. Press the reset button for 10s. After you hear "successfully recover the system", the robot will restart automatically, and the relevant settings such as scheduled cleaning and Wi-Fi will be reset to the factory state, and the system will be reset to the previous firmware version.

Note

After resetting the system, the robot needs to reconnect the APP, all previous settings in the APP are cleared.

APP Download

1. ZACO Home App

Scan the QR code below to download and install the APP.




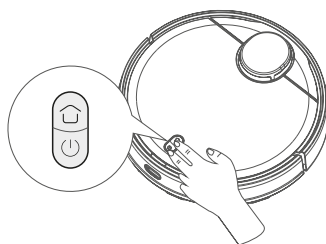
 ZACOHome APP



 ZACOHome APP

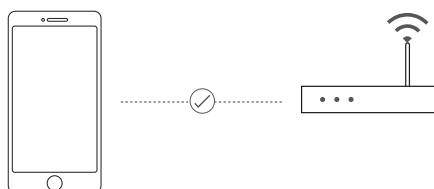
2. Network configuration

Press and hold the  and  buttons for 7s to access pairing mode with the network.



3. Network configuration

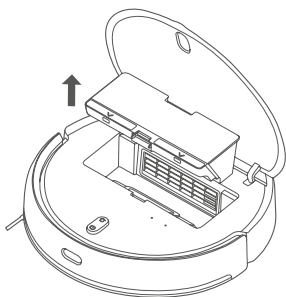
Please check that your Wi-Fi name does not contain any special characters.



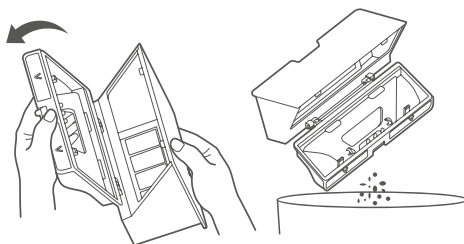
Maintenance

Dustbin

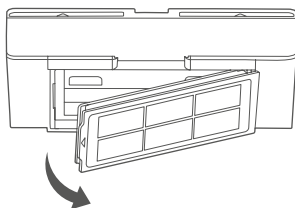
1. Open the robot cover, press the dustbin release button, and take out the dustbin.



2. Open the robot cover, press the dustbin release button, and take out the dustbin.



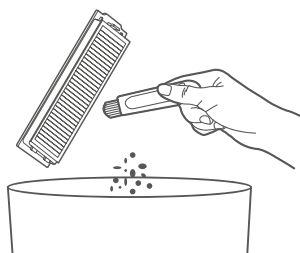
3. Take out the filter screen as shown in the figure.



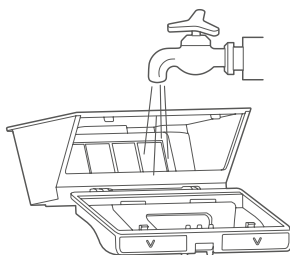
Maintenance

Dustbin

4. Clean the dustbin and filter screen with the cleaning brush.



5. Clean it with clear water, dry it and put it back in.



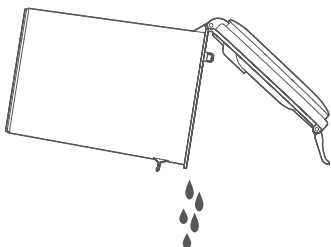
Note

It is recommended to thoroughly clean the dustbin at least once a week.
Please dry the dustbin and filter screen before use.

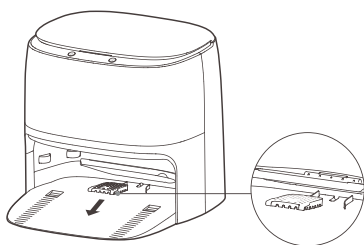
Maintenance

Dirty water tank / dirty water sieve

1. Take out the dirty water tank and empty it.



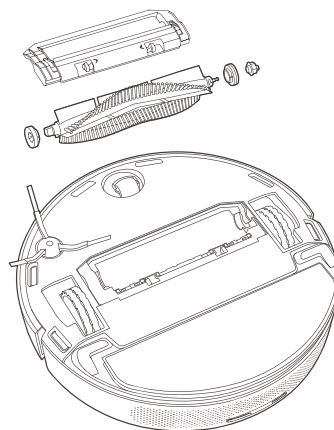
2. Lift up the rinsing grid and take out the dirty water sieve for cleaning.



Maintenance

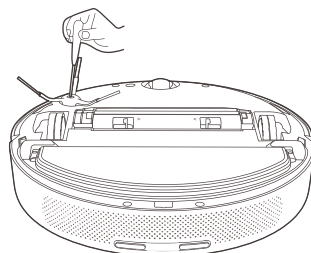
Main brush

- Turn over the robot and press the two release buttons to remove the main brush cover.
- Pull out the main brush upward.
- Remove the main brush brackets at both ends of the main brush.
- To clean the main brush cut the hair wrapped on the brush with the cleaning tool and remove.
- Assemble the individual parts of the brush.
- Replace the main brush and main brush cover.



Side brush

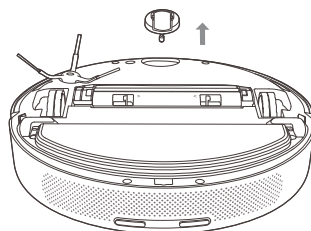
- Turn over the robot and remove the side brush fixing screw.
- Remove and clean the side brush.
- Replace the side brush and lock the screw.



Maintenance

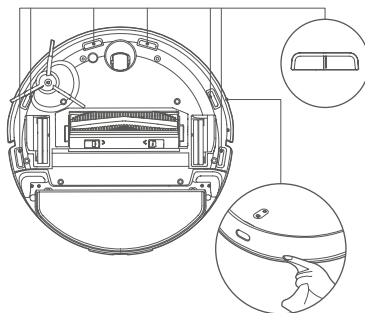
Front wheel

- Turn over the robot and pull the front wheel upwards.
- Clean and then reinstall the front wheel.



Boundary sensor

- Please use a soft, dry cloth to clean the boundary sensors and IR sensors regularly.



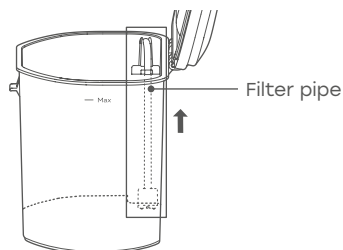
Note

Do not use chemicals such as detergent or spray to clean the sensors.

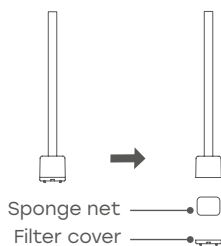
Maintenance

Filter pipe of clean water tank

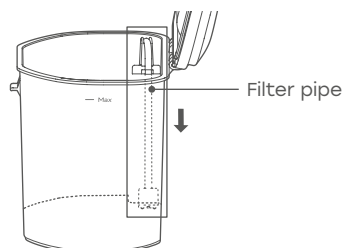
1. Pull out the filter pipe in the clean water tank.



2. Open the filter cover and clean the filter cover and sponge net.



3. Reinstall the filter pipe.



Troubleshooting

Fault Prompt	Solution
Unable to power on.	The battery is low. Please charge it before using.
Robot fails to start cleaning.	The battery is low. Please charge it before using.
Robot cannot return for charging.	<ol style="list-style-type: none"> 1. Too many barriers around the cleaning station. Place cleaning station as described earlier. 2. Robot is too far away from cleaning station. Place robot near cleaning station and try again.
Abnormal robot actions.	Please shut down and restart the robot.
Abnormal sound during cleaning.	Please check and clean the exterior parts on the main brush, side brush, left / right wheel after the robot is turned OFF.
Cleaning performance deteriorates or dust escapes.	<ol style="list-style-type: none"> 1. Dustbin is full. Please empty the bin. 2. Filter screen is blocked. Please clean the filter screen. 3. Main brush is blocked. Please clean the main brush.
Robot is offline.	<ol style="list-style-type: none"> 1. Weak Wi-Fi signal. Make sure robot is in range of the Wi-Fi signal and check your network settings. 2. Reset Wi-Fi connection, download the latest APP and try again.
Robot fails to auto-resume.	Make sure non-disturbance mode is not activated.
Robot fails to charge.	Make sure there is sufficient space around the cleaning station, and that there is no dust or blockage on the surface of electrodes of cleaning station.

Troubleshooting

Fail to do scheduled cleaning.	<ol style="list-style-type: none"> 1. If the robot is not connected to Wi-Fi, the time settings cannot be synchronized, and the scheduled cleaning cannot start. 2. Make sure the robot is not in non-disturbance mode, otherwise the scheduled cleaning is deactivated. 3. Make sure the robot is not in lock mode, otherwise the scheduled cleaning is deactivated.
Robot is always offline.	Please ensure that the robot network configuration is successful and that the robot is always within the range of Wi-Fi signal.
Robot fails to connect to APP.	Ensure that the robot and the cleaning station are in area with good Wi-Fi signal; reset Wi-Fi according to the steps described; then pair again.
Failure to clean mop.	<ol style="list-style-type: none"> 1. Check the clean water tank is not empty. If empty, please fill up. 2. If the clean water tank is full, please check the drainage hole. 3. Check the dirty water tank is not full. If so then please empty.
Make sure the laser sensor is not blocked.	Laser ranging sensor is blocked or jammed. Remove the blockage carefully.
Clean boundary sensor and relocate robot.	<ol style="list-style-type: none"> 1. Robot is unstable or off the ground. Relocate and restart robot. 2. Boundary sensor is dirty. Clean the boundary sensor.
Check collision sensor and remove any foreign object on it.	Collision sensor is jammed. Remove foreign object by tapping the sensor. If there is no foreign object, restart robot.

Troubleshooting

Place robot on horizontal ground and start it.	It is detected that robot is not on a flat surface. Place the robot on a flat surface and start it, or perform levelling in APP and then restart robot.
Put the robot on the ground to start.	The wheels are suspended. Please move to a new position to start.
Remove any obstacle around robot and try again.	<ol style="list-style-type: none"> 1. Robot may be jammed or trapped. Remove any barrier around it. 2. Replace the dustbin and filter screen, and make sure that both are installed in place.
Make sure that the dustbin is mounted in place.	Check the dustbin and filter screen, and make sure that both are installed in place.
Make sure the clean water tank has been installed.	Please reinstall the clean water tank and make sure that it is in place.
Please make sure the dirty water tank has been installed.	Please reinstall the dirty water tank and make sure that it is in place.
Please make sure the sewage mesh has been installed.	Please clean the dirt water sieve and make sure that the sieve is in place.
The clean water tank is empty. Please add clean water in time.	Please check and refill the clean water tank.
The dirty water tank is full. Please clean it up in time.	Please empty out the water in the dirty water tank and clean it up regularly.
The dirty water tank is full. Please clean it up in time.	Please check and clean the tank.
Please move the robot back to the cleaning station.	The robot cannot locate the position of the cleaning station. Please put the robot back to the cleaning station for charging.
Low battery level. Please charge robot.	The robot fails to locate charging station. Please manually place robot back to cleaning station.

Product Specification

M1S

Classification	Item	Detail
Mechanical specifications	Size	353 x 353 x 96,5 mm
	Weight	4,1kg
Electrical specifications	Power	40 W
	Battery type	5200 mAh
	Charging type	Auto charging
Cleaning specifications	Cleaning mode	Spot, Edge, MAX, Daily schedule
	Charging time	250-300 Min
	Cleaning time	≈180 Min
Main Body Button Type	-	Mechanical button
Wireless connection	-	Wi-Fi IEEE 802.11b/g/n 2.4 GHz Bluetooth 4.2, RF 433 MHz

Cleaning station

Classification	Item	Detail
Mechanical specifications	Size	410 x 450 x 390 mm
	Wireless Connection	RF 433 MHz
Electrical specifications	Rated input	00-240 V~ 50/60 Hz
	Rated output	20 V 3.25 A
	Charging input	45 W

Frequency Band

Frequency Band and Output Power

TX Frequency	2.4 ~ 2.4835 GHz
RX Frequency	2.4 ~ 2.4835 GHz
Antenna Gain	2.6 dBi
RF Output Power	802.11b 17+-2 dBm 802.11g 17+-1.5 dBm 802.11n 16+-1.5 dBm

EU Declaration of Conformity

Robovox Distributions GmbH hereby declares that the **ZACO M1S** radio complies with Directive 2014/53/EU.

The full text of the EU Declaration of Conformity can be found on the Internet address <https://conformity.zaco.eu/download/m1s.pdf>

Sehr geehrter Kunde,

vielen Dank, dass Sie sich für einen ZACO M1S Staubsaugerroboter entschieden haben! Sie sind nun Teil der ZACO Familie und gehören zu den Millionen von Menschen, die mit ZACO Saugrobotern ihr Zuhause sauber halten.

Bitte nehmen Sie sich einen Moment Zeit, um dieses Handbuch zu lesen und sich mit Ihrem Saugroboter vertraut zu machen. So holen Sie die beste Leistung aus Ihrem Saugroboter.

Wenn Sie irgendein Problem haben, wenden Sie sich bitte an unseren Kundendienst oder besuchen Sie für weitere Informationen unsere Website unter www.zaco.eu. Bleiben Sie mit uns auf Facebook und Instagram in Verbindung, um in den Genuss exklusiver Vorteile zu kommen:

- Erhalten Sie auf Ihren Saugroboter zugeschnittenen Support, einschließlich Antworten auf Fragen, Wartungstipps, Videodemos, Live-Chats und mehr.
- Erhalten Sie Produktaktualisierungen und andere wertvolle Informationen über neue Saugroboter, exklusive Rabatte und Sonderangebote.

Mit freundlichen Grüßen

Ihr ZACO-Team

ZACO Customer Service

Customer Service Number

00800-42377961 (Europäischer Gratisanruf)

0209-513038-38 (Deutschland)

support@zaco.eu | www.zaco.eu

Robovox Distributions GmbH

Hamburger Straße 11 | 45889 Gelsenkirchen | Germany

Social Media

 RobovoxZACO  zaco_robot  ZACO Robot

Inhaltsverzeichnis

Gebrauchshinweise	4
Gebrauchshinweise	4
Umweltauswirkungen / Ausbauen des Akkus	6
Produktübersicht	8
Lieferumfang	8
Roboter	9
Reinigungsstation	10
Status des Roboters / Status der Reinigungsstation	11
Verwendung	12
Reinigungsstation	12
Einsetzen des Staubtanks	15
Einsetzen des Frischwassertanks und Wischlappens	16
Bedienung	17
APP-Download	22
Pflege	23
Staubtank	23
Schmutzwassertank / Schmutzwassersieb	25
Hauptbürste / Seitenbürste	26
Bugrad / Begrenzungssensor	27
Filterrohr des Frischwassertanks	28
Fehlermeldung	29
Produktspezifikation	32
Frequenzband / EU Konformitätserklärung	33

Sicherheitsanweisungen

**WARNUNG!**

Der Navigationssensor enthält einen Rotationslaser der Klasse 1 gemäß IEC/EN 60825-1, der bei allen Arbeitsprozessen aktiv ist.

- Richten Sie den Laser niemals auf andere Personen.
- Schauen Sie niemals direkt in den Laser oder den reflektierten Laserstrahl.
- Schalten Sie den Saugroboter während der Gerätepflege immer aus.
- Modifikationen (Änderungen) oder Reparaturversuche am Saugroboter oder am Navigationssensor sind strengstens untersagt. Sie können zu einer gefährlichen Strahlenbelastung sowie zum Verlust der Garantie führen.

Gebrauchshinweise

1. Dieses Produkt ist nur für die Bodenreinigung in Privathaushalten geeignet und sollte nicht im Freien, in gewerblichen oder industriellen Umgebungen verwendet werden.
2. Dieses Produkt darf nicht von Personen mit körperlichen, sensorischen oder geistigen Einschränkungen oder von Personen ohne einschlägige Erfahrung und Kenntnisse (darunter Kinder) verwendet werden, es sei denn, es ist eine kompetente Person anwesend, die sicherstellt, dass sie dieses Produkt sicher verwenden können.
3. Bitte erlauben Sie Kindern nicht, mit dem Roboter zu spielen. Wenn der Roboter in Betrieb ist, achten Sie bitte darauf, dass Kinder und Haustiere so weit wie möglich vom Produkt entfernt sind.
4. Wenn das Netzkabel defekt ist, muss es vom Hersteller oder der Wartungsabteilung ersetzt werden.
5. Sie dürfen niemals Kinder oder Haustiere auf den Roboter setzen oder andere Gegenstände darauf legen.
6. Halten Sie die Reinigungsbürste von Kindern fern.

Sicherheitsanweisungen

7. Bitte verwenden Sie die Laserabdeckung nicht als Griff zum Anheben des Roboters.
8. Bitte verwenden Sie das Produkt nicht in einem Umfeld, in dem es hinunterfallen könnte (wie z. B. auf Doppelböden, auf offenen Balkonen oder auf Möbelstücken).
9. Bitte verwenden Sie das Produkt nicht, wenn die Umgebungstemperatur über 35 °C oder unter 0 °C liegt oder wenn sich auf dem Boden Flüssigkeiten oder Schmiermittel befinden.
10. Bitte lassen Sie den Roboter keine brennenden Objekte aufnehmen.
11. Bitte nehmen Sie vor dem Gebrauch alle Kabel vom Boden oder verlegen Sie diese so, dass sie im Betrieb nicht mitgezogen werden können.
12. Bitte entfernen Sie zerbrechliche Gegenstände und alle sonstigen Objekte (z. B. Vasen, Plastiktüten usw.) vom Boden, damit wertvolle Gegenstände nicht beschädigt werden und es während des Betriebs nicht zu Blockierungen oder Kollisionen kommt.
13. Bitte verwenden Sie den Wischmodus nicht auf Teppichen. Bei der Reinigung des Bodens definieren Sie bitte virtuelle Wände oder No-Go-Zonen um Teppiche.
14. Achten Sie bitte darauf, dass der Roboter keine starren oder scharfkantigen Gegenstände (z. B. Dekorationsabfälle, Glas, Nägel usw.) aufnimmt.
15. Bitte führen Sie Reinigungs- und Pflegearbeiten am Roboter und an der Ladestation nur durch, wenn die Stromversorgung getrennt ist.
16. Bitte setzen Sie den Roboter nur richtig herum auf den Boden.
17. Bitte beachten Sie das Produkthandbuch oder die Kurzanleitung zur Verwendung des Produkts. Für Schäden, die durch unsachgemäßen Gebrauch entstehen, hat der Nutzer selbst aufzukommen.
18. Vergewissern Sie sich, dass der Roboter ausgeschaltet ist, bevor Sie ihn transportieren.

Sicherheitsanweisungen

Akku und Laden

1. Verwenden Sie keine Akkus, Stromkabel oder Reinigungsstationen von Drittanbietern.
2. Zerlegen, reparieren oder modifizieren Sie den Akku oder die Reinigungsstation nicht.
3. Reinigen Sie die Ladekontakte der Reinigungsstation nicht mit einem feuchten Tuch und berühren Sie sie nicht mit nassen Händen.
4. Stellen Sie die Reinigungsstation nicht in der Nähe von Wärmequellen (Heizkörpern usw.) auf.
5. Bevor Sie den Roboter ausrangieren, schalten Sie ihn aus und entfernen Sie den Akku.
6. Wenn das Produkt für längere Zeit gelagert werden soll, laden Sie den Akku vollständig und lagern Sie den Roboter an einem trockenen Ort ohne direkte Sonneneinstrahlung.
7. Es wird empfohlen, den Akku mindestens einmal alle 3 Monate zu laden, um Schäden am Akku zu vermeiden.

Umweltauswirkungen

Die im eingebauten Lithium-Ionen-Akku enthaltenen Chemikalien können die Umwelt verschmutzen. Bevor Sie das Gerät ausrangieren, entfernen Sie den Akku und entsorgen Sie ihn verantwortungsbewusst und sorgfältig gemäß den örtlichen Vorschriften und Bestimmungen.

Ausbauen des Akkus

Die folgenden Anweisungen gelten nur, wenn der Saugroboter eingelagert werden soll. Es handelt sich hierbei nicht um Routinevorgänge:

1. Lassen Sie den Roboter laufen, bis der Akku erschöpft ist.
2. Schalten Sie den Roboter aus.
3. Entfernen Sie die Unterschale des Saugroboters.
4. Drücken Sie die Verriegelung, um den Anschlussstecker herauszuziehen und den Akku zu entfernen.

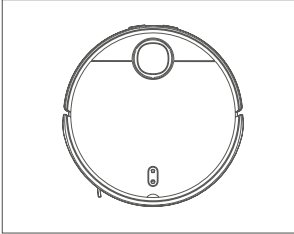
Sicherheitsanweisungen

Anmerkung

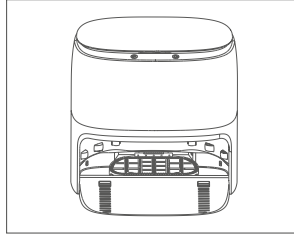
1. Bitte entfernen Sie das Akkupack als Ganzes und vermeiden Sie eine Beschädigung des Gehäuses, damit es nicht zu einem Kurzschluss kommt oder gefährliche Substanzen austreten können.
2. Wenn der Nutzer versehentlich mit den ausgetretenen Stoffen aus einem undichten Akku in Berührung kommt, spülen Sie die betroffenen Stellen bitte sofort mit viel Wasser ab und suchen Sie einen Arzt auf.

Produktübersicht

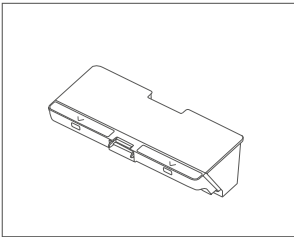
Lieferumfang



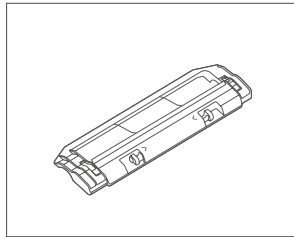
Roboter



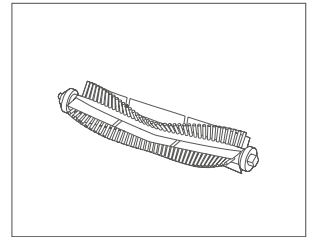
Reinigungsstation

Frishwassertank/
Schmutzwassertank

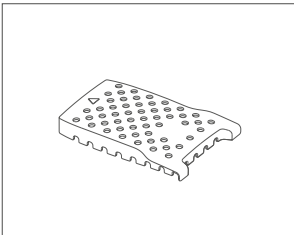
Staubtank



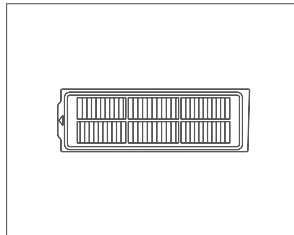
Hauptbürstenabdeckung



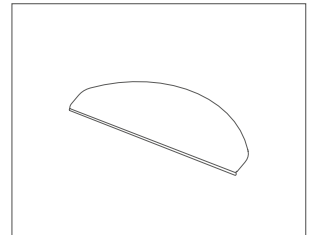
Hauptbürste



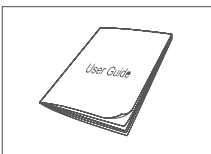
Schmutzwassersieb



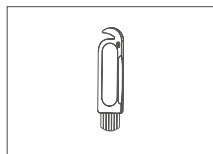
Filtersieb



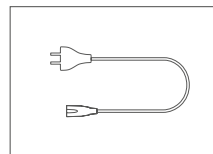
2x Wischlappen



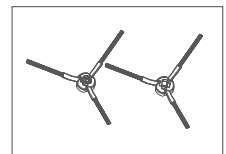
Bedienungsanleitung



Reinigungswerkzeug



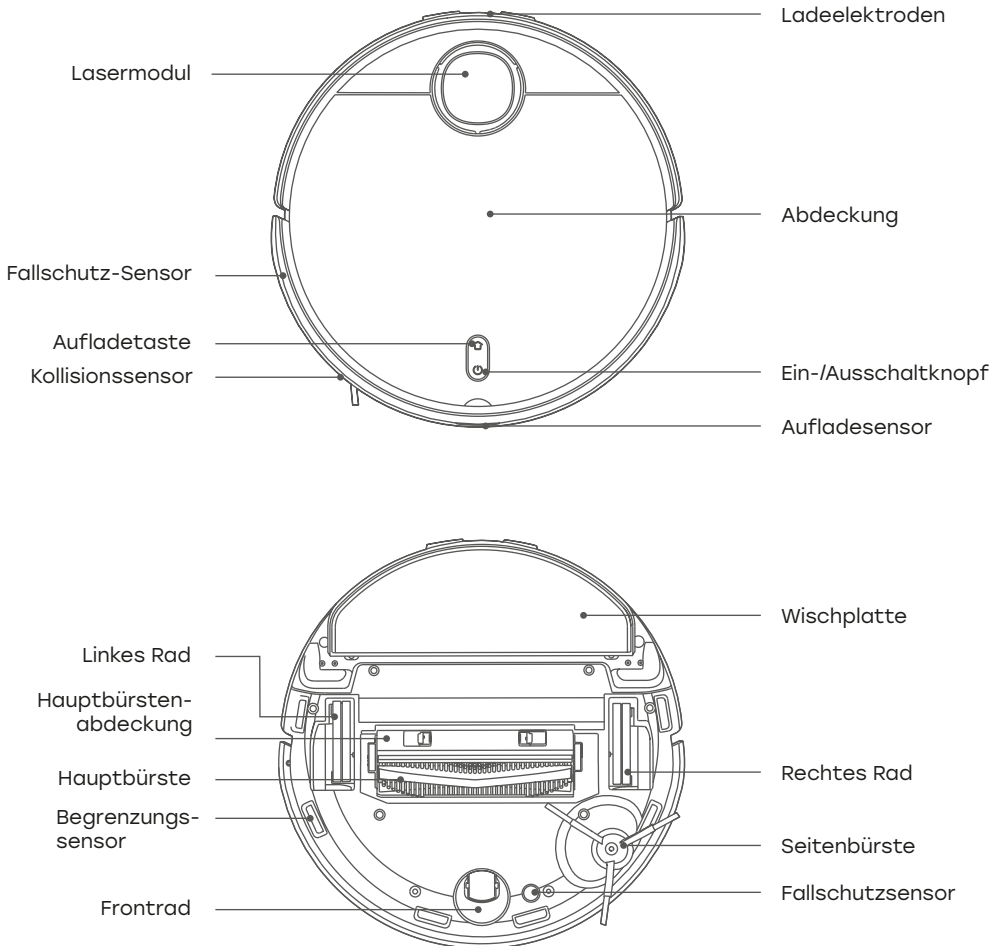
Netzkabel



2x Seitenbürste

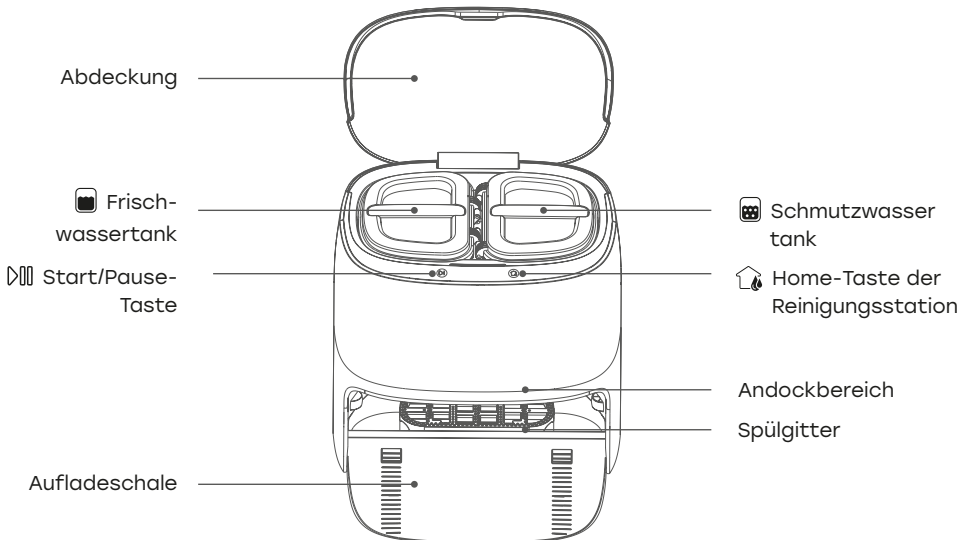
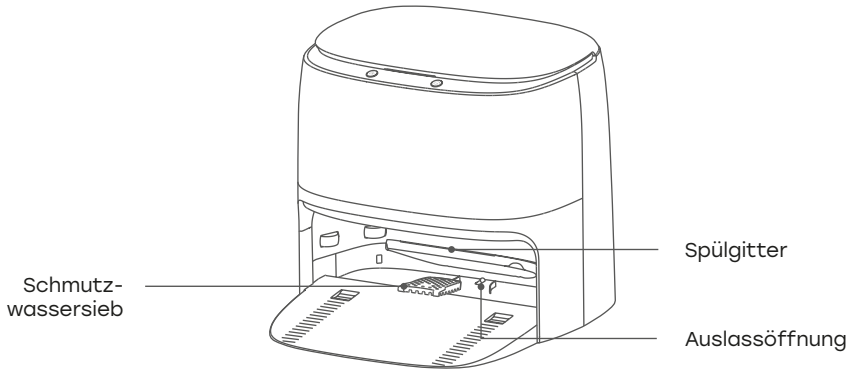
Produktübersicht

Roboter



Produktübersicht

Reinigungsstation



Produktübersicht

Status des Roboters

LED	Bedeutung
Leuchtet weiß	Roboter arbeitet normal
Pulsiert weiß	Roboter lädt
Blinkt weiß	Aufladen des Roboters / Firmware-Upgrade
Leuchtet gelb	Roboter ohne WLAN-Verbindung
Blinkt gelb	Roboterstörung
Aus	Roboter ist ausgeschaltet

Status der Reinigungsstation

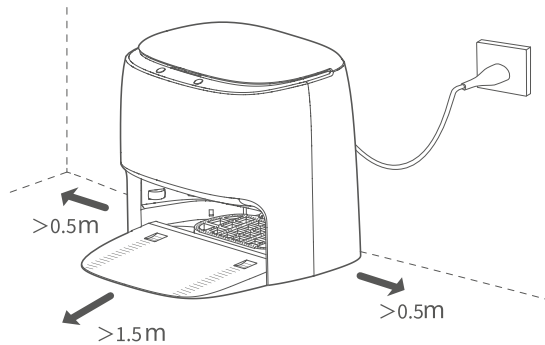
LED	Bedeutung
Leuchtet weiß	Reinigungsstation arbeitet normal
Pulsiert weiß	Roboter reinigt
Blinkt weiß	Störung der Reinigungsstation

Verwendung

Reinigungsstation

1. Installation

Stellen Sie die Ladestation an der Wand auf und stecken Sie das Netzkabel ein.



Anmerkung

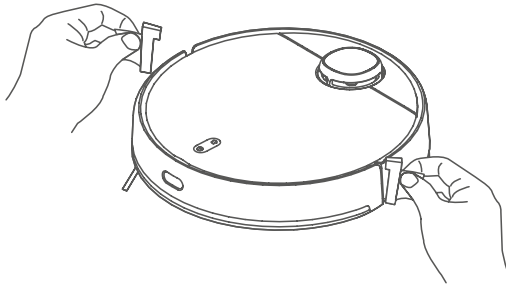
1. Setzen Sie die Reinigungsstation nicht direkter Sonneneinstrahlung aus.
2. Bitte achten Sie auf einen Abstand von mindestens 0,5 m links und rechts von der Reinigungsstation und auf einen Abstand von mindestens 1,5 m vor der Station (siehe Abbildung).
3. Verlegen Sie das Netzkabel sicher und ordentlich, da es sonst vom Roboter mitgezogen werden könnte und die Reinigungsstation mitgezerrt oder die Stromversorgung getrennt werden könnte.
4. Der Frischwassertank, der Schmutzwassertank und die Spülplatte müssen eingesetzt sein.

Verwendung

Reinigungsstation

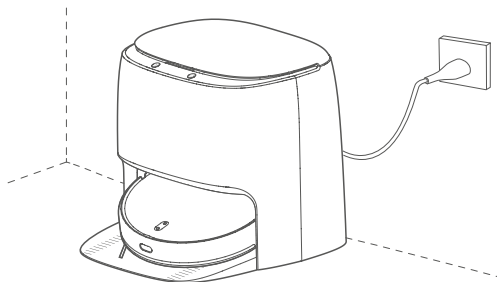
2. Entfernen Sie den Transportschutz.

Entfernen Sie vor der Benutzung unbedingt den Transportschutz auf beiden Seiten des Roboters.



3. Einschalten und Laden

Wenn Sie den Roboter zum ersten Mal benutzen, setzen Sie ihn zum Aufladen bitte auf die Ladkontakte der Reinigungsstation. Im täglichen Gebrauch drücken Sie direkt die Home-Taste der Reinigungsstation, um den Ladevorgang zu starten.



Verwendung

Reinigungsstation

Start/Pause-Taste

1. Zum Starten der Reinigung aus dem Standby-Modus.
2. Zum Unterbrechen der Reinigung.
3. Zum Beenden des Ladevorgangs.



Home-Taste der Reinigungsstation

1. Wenn sich der Roboter in der Reinigungsstation befindet, drücken Sie diese Taste kurz, um das Spülen zu starten/zu unterbrechen.
2. Wenn der Roboter in Betrieb ist, drücken Sie diese Taste, damit der Roboter zum Laden zur Reinigungsstation zurückkehrt.
3. Wenn der Roboter in der Station im Standby ist, drücken Sie diese Taste lange, um die Lufttrocknung zu starten/stoppen.

Anmerkung

Der Roboter wird nach dem Andocken an die Reinigungsstation automatisch gestartet und kann während des Ladevorgangs nicht abgeschaltet werden.

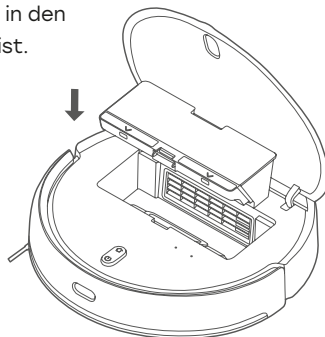
Verwendung

Einsetzen des Staubtanks

Öffnen Sie die obere Abdeckung, setzen Sie den Staubtank in den Roboter ein und vergewissern Sie sich, dass er eingerastet ist.

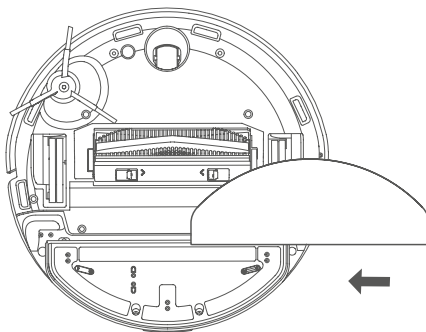
Anmerkung

Reinigen Sie den Staubtank regelmäßig, um eine optimale Reinigungsleistung zu gewährleisten.



Einsetzen des Frischwassertanks und des Wischlappens

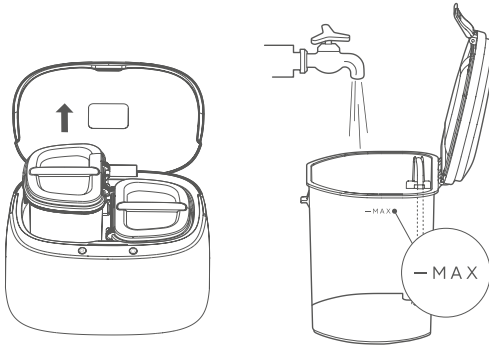
1. Setzen Sie den Wischlappen wie oben beschrieben von der offenen Seite der Wischplatte ein. Drücken Sie den Wischlappen fest an.



Verwendung

Einsetzen des Frischwassertanks und des Wischlappens

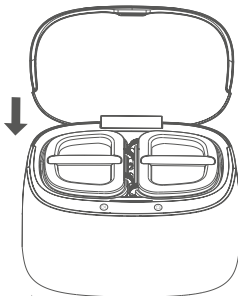
2. Nehmen Sie den Frischwassertank heraus und füllen Sie Leitungswasser ein. Der maximale Wasserstand darf nicht überschritten werden.



Anmerkung

Bitte überprüfen Sie den Schmutzwassertank regelmäßig. Leeren Sie ihn, sobald er voll ist.

3. Setzen Sie den Frischwassertank und den Schmutzwassertank in die Reinigungsstation ein und schließen Sie die Abdeckung.



Anmerkung

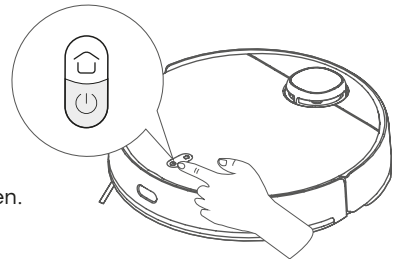
1. Verwenden Sie kein sterilisiertes Wasser und keine Reinigungsmittel.
2. Verwenden Sie kein heißes Wasser im Frischwassertank.
3. Bitte entfernen Sie regelmäßig überschüssiges Wasser aus der Reinigungsstation.

Verwendung

Bedienung

1. Ein- / Ausschalten

Halten Sie die Taste "⏻" gedrückt, bis sich der Roboter ein- bzw. ausschaltet.



2. Starten der Reinigung

Drücken Sie "⏻", um die Reinigung zu starten.

3. Pause

Wenn der Roboter in Betrieb ist, drücken Sie die Taste „⏻“, um die Reinigung zu unterbrechen bzw. fortzusetzen.

4. Kartierung

Der Roboter speichert automatisch eine Kartierung in Ihrer App, wenn er einen Reinigungsdurchgang erfolgreich abgeschlossen hat und zum Laden zur Ladestation zurückgekehrt ist. Mit dieser Kartierung können Sie Zonen erstellen, Räume benennen und vieles mehr.

5. Vibrationswischmodus

In der App ist standardmäßig der Vibrationswischmodus aktiviert. In diesem Modus wird eine höhere Reinigungsleistung erzielt.

6. Modus- / Stufenauswahl

In der App kann eine Vielzahl von Reinigungsmodi und Leistungsstufen ausgewählt werden.

7. Laden des Roboters

Nachdem der Roboter die Reinigung abgeschlossen hat, lädt er sich automatisch und bestimmt in Abhängigkeit des Reinigungsmodus, ob der Wischlappen gespült werden soll. Wenn sich der Roboter nicht in der Station befindet, drücken Sie die Taste „🏠“ des Roboters, um das Laden zu starten.

Verwendung

Bedienung

8. Füllen und Entleeren der Wassertanks

Bitte füllen Sie vor dem Start des Roboters den Frischwassertank mit Leitungswasser. Bitte entleeren Sie regelmäßig den Schmutzwassertank.

Anmerkung

Verwenden Sie keine flüssigen und festen Reinigungsmittel und Desinfektionsmittel, um Korrosion und Schäden am Gerät zu vermeiden.




9. Reinigung nach Zeitplan

Über die App können Sie einen Reinigungsplan einrichten, damit der Roboter an bestimmten Tagen und zu bestimmten Zeiten automatisch reinigt.

Anmerkung

Während der Zeit, für die der Nicht-Stören-Modus in der App aktiviert ist, wird keine Reinigung nach Zeitplan durchgeführt.

10. Laden

Während des Betriebs kehrt der Roboter automatisch zur Reinigungsstation zurück, um den Wischlappen regelmäßig auszuspülen. Nach Abschluss des Spülvorgangs kehrt der Roboter automatisch an die Stelle zurück, an der er aufgehört hat, um dort die Reinigung fortzusetzen. Drücken Sie während der Reinigung kurz die Taste „“ an der Reinigungsstation. Der Roboter kehrt zur Reinigungsstation zurück und spült den Wischlappen aus. Drücken Sie während der Reinigung kurz die Taste „“ am Roboter. Der Roboter kehrt zur Reinigungsstation zurück, spült den Wischlappen aus und wechselt in den Standby-Modus. Drücken Sie im Standby-Modus kurz die Taste „“ an der Reinigungsstation, um den Wischlappen auszuspülen. Nach der Reinigung wechselt der Roboter in den Standby-Modus.

Verwendung

Bedienung

11. Virtuelle Wände / No-Go-Zonen

Der Nutzer kann in der App virtuelle Wände/No-Go-Zonen für den Roboter festlegen.

Anmerkung

1. Bevor Sie diese Funktion nutzen können, müssen Sie eine Kartierung in der App erstellen und speichern.
2. Wird der Roboter versetzt oder ändert sich die Raumumgebung, kann dies zum Verlust der ursprünglichen Kartierung und aller virtuellen Wände/No-Go-Zonen führen.

12. Automatische Wiederaufnahme

Dieses Produkt verfügt über die Funktion der automatischen Wiederaufnahme. Wenn während des Reinigungsvorgangs die Ladung niedrig ist, sucht der Roboter automatisch die Reinigungsstation auf, um zu laden. Nach dem Laden kehrt der Roboter zu dem Punkt zurück, an dem er aufgehört hat, um die Reinigung fortzusetzen. Wenn die Reinigung manuell unterbrochen wird oder der Roboter während des Ladens versetzt oder bedient wird, wird die automatische Wiederaufnahme abgebrochen.

13. Standard-Reinigungsmodus

Wenn keine Kartierung gespeichert ist und die Standardreinigung gewählt wurde, beginnt der Roboter mit der Reinigung in Flächen von 6 m × 6 m. Wenn eine Kartierung gespeichert ist und die Standardreinigung ausgewählt wurde, beginnt der Roboter mit der Reinigung der einzelnen Räume entlang der geplanten Route.

14. Kantenreinigungsmodus

Wenn Sie in der App die Kantenreinigung auswählen, beginnt der Roboter automatisch mit der Reinigung entlang der Kanten Ihres Raums.

Anmerkung

Während der Reinigung kann der Roboter über einen festgelegten Bereich hinausgehen. Stellen Sie daher sicher, dass Sie alle Hindernisse auf dem Boden innerhalb des festgelegten Bereichs entfernen, da die Festlegung eines Bereichs keine sichere Trennung gewährleistet.

Verwendung

Bedienung

15. Spot-Reinigungsmodus

Wenn Sie in der App den Spot-Reinigungsmodus wählen, reinigt der Roboter den ausgewählten Bereich als Fläche von 2 m x 2 m.

16. Nicht-Stören-Modus

Wenn der Nicht-Stören-Modus aktiviert ist, sind die Reinigung nach Zeitplan und die aktive Sprachmeldung nicht verfügbar. Der Nicht-Stören-Modus ist standardmäßig in der Zeit von 23:00 bis 9:00 Uhr aktiviert. Der Nicht-Stören-Modus kann über die App deaktiviert werden.

17. Teppickerkennung

Wenn während des Betriebs ein Teppich erkannt wird, wird der Wischlappen angehoben und die Saugfunktion schaltet sich automatisch ein. Diese Funktion kann mit der Teppichvermeidungsfunktion in der App deaktiviert werden. Der Roboter meidet dann automatisch Teppichzonen.

Anmerkung

Bei Kinderbodenmatten, Yogamatten, Isomatten und kurzflorigen Teppichen kann es zu Fehleinschätzungen kommen, die den normalen Gebrauch nicht beeinträchtigen. Virtuelle Wände/No-Go-Zonen können festgelegt werden, um den Roboter daran zu hindern, in Bereiche einzudringen, die nicht gereinigt werden müssen.

18. Standby-Modus

Der Roboter wechselt nach 5 Minuten Inaktivität automatisch in den Standby-Modus.

Anmerkung

An der Reinigungsstation wechselt der Roboter nicht automatisch in den StandbyModus.

Verwendung

Bedienung

19. Rücksetzen des WLAN

Wenn Ihr Router oder Ihr WLAN-Zugangspasswort geändert wurde, müssen Sie Ihre WLAN-Verbindung zurücksetzen, indem Sie bei eingeschaltetem Roboter sowohl „🕒“ als auch „🏠“ 7 Sekunden lang gedrückt halten. Die WLAN-Verbindung wurde erfolgreich zurückgesetzt, wenn per Sprachansage gemeldet wird, dass die WLAN-Rücksetzung und die Netzwerkkonfiguration aktiviert wurden

20. Rücksetzen des Systems

Drücken Sie die Rücksetzungstaste 3 Sekunden lang. Wenn per Sprachansage gemeldet wird, dass das System erfolgreich zurückgesetzt wurde, wird der Roboter automatisch neu gestartet, und die relevanten Einstellungen, wie z. B. die Reinigung nach Zeitplan und das WLAN, werden auf den Werkszustand zurückgesetzt.

Drücken Sie die Rücksetzungstaste 10 Sekunden lang. Wenn per Sprachansage gemeldet wird, dass das System erfolgreich wiederhergestellt wurde, wird der Roboter automatisch neu gestartet, und die relevanten Einstellungen, wie z. B. die Reinigung nach Zeitplan und das WLAN, werden auf die vorherige Firmware-Version zurückgesetzt.

Anmerkung

Nach dem Zurücksetzen des Systems muss der Roboter erneut mit der App verbunden werden. Alle vorherigen Einstellungen in der App werden gelöscht.

APP-Download

1. ZACO Home App

Scannen Sie den QR-Code unten, um die App herunterzuladen und zu installieren.



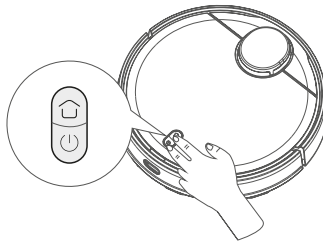
 ZACOHome APP



 ZACOHome APP

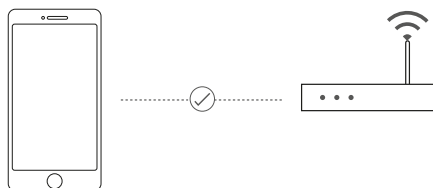
2. Netzwerkkonfiguration

Halten Sie die Tasten „“ und „“ 7 Sekunden lang gedrückt, um auf die Netzwerkkopplung zuzugreifen.



3. Netzwerkkonfiguration

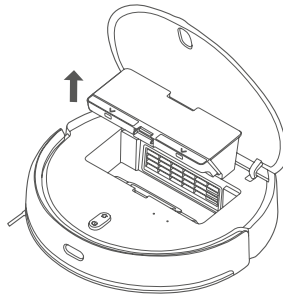
Vergewissern Sie sich, dass Ihr WLAN-Name keine Sonderzeichen enthält.



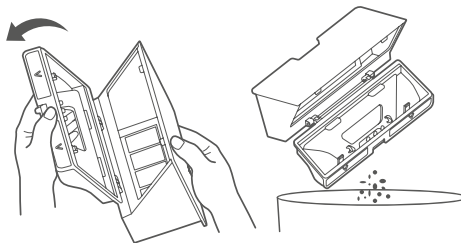
Pflege

Staubtank

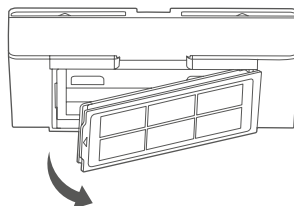
1. Öffnen Sie die Roboterabdeckung, drücken Sie den Entriegelungsknopf für den Staubtank und nehmen Sie diesen heraus.



2. Reinigen Sie den Staubtank und das Filtersieb mit der Reinigungsbürste.



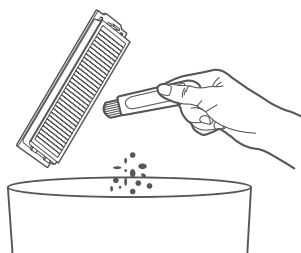
3. Nehmen Sie das Filtersieb wie in der Abbildung gezeigt heraus.



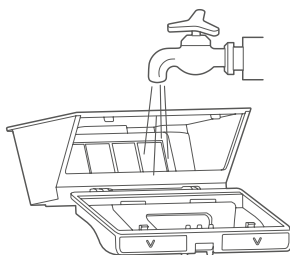
Pflege

Staubtank

4. Reinigen Sie den Staubtank und das Filtersieb mit der Reinigungsbürste.



5. Reinigen Sie diese mit klarem Wasser, trocknen Sie sie und setzen Sie sie wieder ein.



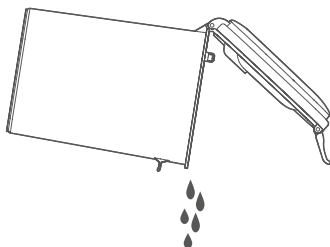
Anmerkung

Es wird empfohlen, den Staubtank mindestens einmal pro Woche gründlich zu reinigen. Bitte trocknen Sie den Staubtank und das Filtersieb vor dem Gebrauch.

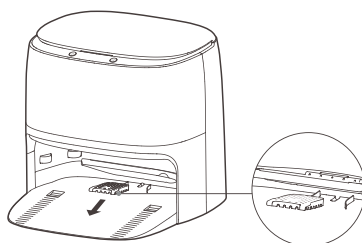
Pflege

Schmutzwassertank/-sieb

1. Nehmen Sie den Schmutzwassertank heraus und leeren Sie ihn.



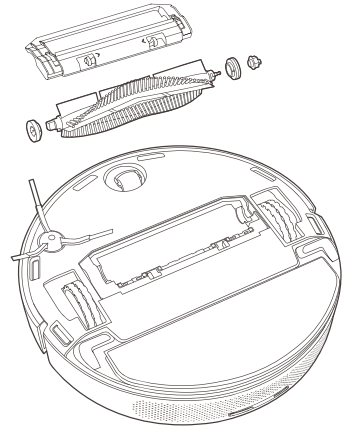
2. Heben Sie das Spülgitter an und nehmen Sie das Schmutzwassersieb zur Reinigung heraus.



Pflege

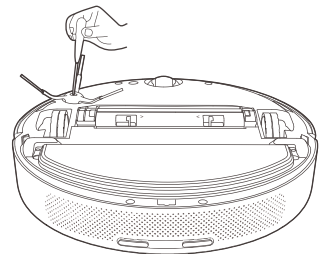
Hauptbürste

- Drehen Sie den Roboter um und halten Sie beide Entriegelungsknöpfe gedrückt, um die Hauptbürstenabdeckung abzunehmen.
- Nehmen Sie die Hauptbürste nach oben heraus.
- Entfernen Sie die Halterungen an beiden Enden der Hauptbürste.
- Zerschneiden Sie umwickelte Haare mit dem Reinigungswerkzeug und entfernen Sie diese.
- Setzen Sie die Bürste wieder zusammen.
- Setzen Sie die Hauptbürste und die Hauptbürstenabdeckung wieder ein.



Seitenbürste

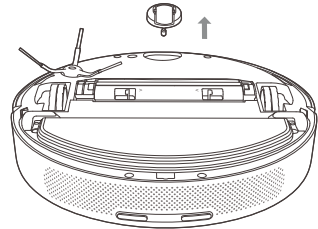
- Drehen Sie den Roboter um und entfernen Sie die Befestigungsschraube der Seitenbürste.
- Nehmen Sie die Seitenbürste heraus und reinigen Sie sie.
- Setzen Sie die Seitenbürste wieder ein und schrauben Sie sie fest.



Pflege

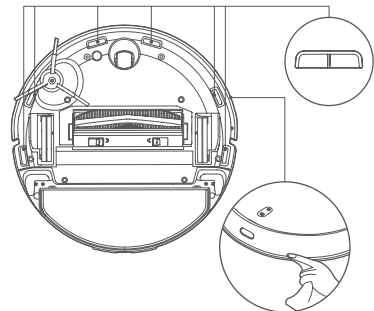
Frontrad

- Drehen Sie den Roboter um und ziehen Sie das Frontrad nach oben heraus.
- Reinigen Sie das Frontrad und setzen Sie es dann wieder ein.



Begrenzungssensor

- Bitte verwenden Sie ein weiches, trockenes Tuch, um die Begrenzungssensoren und IR-Sensoren regelmäßig zu reinigen.



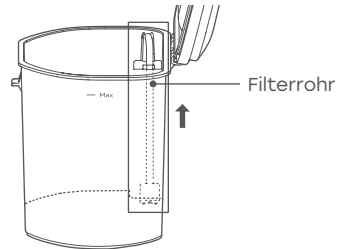
Anmerkung:

Verwenden Sie zur Reinigung der Sensoren keine Chemikalien wie Reinigungsmittel oder -sprays.

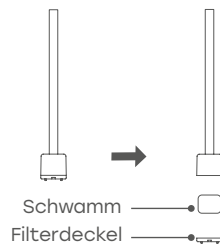
Pflege

Filterrohr des Frischwassertanks

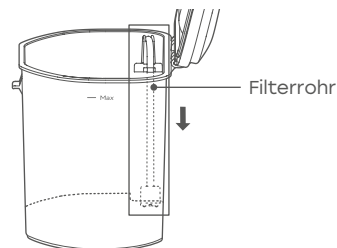
1. Ziehen Sie das Filterrohr im Frischwassertank heraus.



2. Öffnen Sie den Filterdeckel und reinigen Sie den Filterdeckel und den Schwamm.



3. Setzen Sie das Filterrohr wieder ein.



Fehlermeldung

Problem	Lösung
Einschalten nicht möglich	Der Akku ist schwach. Bitte laden Sie ihn vor Gebrauch.
Roboter startet die Reinigung nicht	Der Akku ist schwach. Bitte laden Sie ihn vor Gebrauch.
Roboter kann nicht zum Aufladen zurückkehren.	<ol style="list-style-type: none"> 1. Zu viele Hindernisse rund um die Reinigungsstation. Platzieren Sie die Reinigungsstation wie oben beschrieben. 2. Der Roboter ist zu weit von der Reinigungsstation entfernt. Bringen Sie den Roboter in die Nähe der Reinigungsstation und versuchen Sie es erneut.
Ungewöhnliche Roboteraktionen	Schalten Sie den Roboter aus und starten Sie ihn neu.
Abnormales Geräusch während der Reinigung	Schalten Sie den Roboter aus und überprüfen Sie Hauptbürste, Seitenbürste und linkes/rechtes Rad auf externe Teile und entfernen diese.
Reinigungsleistung lässt nach oder es tritt Staub aus.	<ol style="list-style-type: none"> 1. Der Staubtank ist voll. Leeren Sie den Staubtank. 2. Das Filtersieb ist verstopft. Reinigen Sie das Filtersieb. 3. Die Hauptbürste ist blockiert. Reinigen Sie die Hauptbürste.
Roboter ist offline	<ol style="list-style-type: none"> 1. Schwaches WLAN-Signal. Vergewissern Sie sich, dass der Roboter ein WLAN-Signal hat, und überprüfen Sie Ihre Netzwerkeinstellungen. 2. Setzen Sie die WLAN-Verbindung zurück und laden Sie die neueste App herunter. Versuchen Sie es dann erneut.
Roboter scheitert an automatischer Wiederaufnahme	Vergewissern Sie sich, dass der Nicht-Stören-Modus nicht aktiviert ist.
Roboter lädt nicht	Vergewissern Sie sich, dass um die Reinigungsstation herum genügend Platz ist und dass die Ladkontakte der Reinigungsstation nicht verstaubt oder blockiert sind.

Fehlermeldung

Reinigung nach Zeitplan erfolgt nicht	<ol style="list-style-type: none"> 1. Wenn der Roboter nicht mit dem WLAN verbunden ist, können die Zeiteinstellungen nicht synchronisiert werden, und die Reinigung nach Zeitplan kann nicht beginnen. 2. Vergewissern Sie sich, dass sich der Roboter nicht im Nicht-Stören-Modus befindet, da sonst die Reinigung nach Zeitplan deaktiviert wird. 3. Vergewissern Sie sich, dass sich der Roboter nicht im Sperrmodus befindet, da sonst die Reinigung nach Zeitplan deaktiviert wird.
Roboter ist immer offline	Vergewissern Sie sich, dass die Netzwerk-konfiguration des Roboters erfolgreich ist und dass der Roboter immer ein WLAN-Signal hat.
Roboter hat keine Verbindung zur App	Stellen Sie sicher, dass der Roboter und die Reinigungsstation ein gutes WLAN-Signal haben; setzen Sie das WLAN gemäß den beschriebenen Schritten zurück; koppeln Sie dann erneut.
Wischlappen wurde nicht gespült	<ol style="list-style-type: none"> 1. Prüfen Sie, ob der Frischwassertank leer ist. Wenn er leer ist, füllen Sie ihn auf. 2. Wenn der Frischwassertank voll ist, überprüfen Sie die Auslassöffnung. 3. Prüfen Sie, ob der Schmutzwassertank voll ist. Leeren Sie ihn ggf.
Vergewissern Sie sich, dass der Lasersensor nicht blockiert ist.	Der Lasersensor ist blockiert oder verklemmt. Machen Sie ihn vorsichtig frei.
Reinigen Sie den Begrenzungssensor und versetzen Sie den Roboter.	<ol style="list-style-type: none"> 1. Der Roboter ist instabil oder nicht auf dem Boden. Versetzen Sie den Roboter und starten Sie ihn neu. 2. Der Begrenzungssensor ist verschmutzt. Reinigen Sie den Begrenzungssensor.
Prüfen Sie den Kollisionssensor und beseitigen Sie ggf. Blockierungen.	Der Kollisionssensor ist blockiert. Klopfen Sie den Sensor ab, um Blockierungen zu beseitigen. Wenn keine Blockierung vorhanden ist, starten Sie den Roboter neu.

Fehlermeldung

Platzieren Sie den Roboter auf ebenem Untergrund und starten Sie ihn.	Es wurde erkannt, dass sich der Roboter nicht auf ebenem Untergrund befindet. Platzieren Sie den Roboter auf ebenem Untergrund und starten Sie ihn; oder führen Sie die Nivellierung in der App durch und starten Sie dann den Roboter neu.
Setzen Sie den Roboter zum Starten auf den Boden.	Die Räder haben keinen Bodenkontakt. Versetzen Sie den Roboter, um ihn zu starten.
Entfernen Sie alle Hindernisse um den Roboter und versuchen Sie es erneut.	<ol style="list-style-type: none"> 1. Der Roboter ist möglicherweise eingeklemmt oder hängt fest. Entfernen Sie alle Hindernisse. 2. Setzen Sie den Staubtank und das Filtersieb wieder ein, und vergewissern Sie sich, dass beide korrekt eingesetzt sind.
Vergewissern Sie sich, dass der Staubtank richtig eingesetzt ist.	Prüfen Sie den Staubtank und das Filtersieb und vergewissern Sie sich, dass beide korrekt eingesetzt sind.
Vergewissern Sie sich, dass der Frischwassertank eingesetzt ist.	Setzen Sie den Frischwassertank wieder ein und vergewissern Sie sich, dass er richtig eingesetzt ist.
Vergewissern Sie sich, dass der Schmutzwassertank eingesetzt ist.	Setzen Sie den Schmutzwassertank wieder ein und vergewissern Sie sich, dass er richtig eingesetzt ist.
Vergewissern Sie sich, dass das Schmutzwassersieb eingesetzt ist.	Reinigen Sie das Schmutzwassersieb und vergewissern Sie sich, dass es richtig eingesetzt ist.
Der Frischwassertank ist leer. Füllen Sie rechtzeitig sauberes Wasser nach.	Überprüfen Sie den Frischwassertank und füllen Sie ihn auf.
Der Schmutzwassertank ist voll. Reinigen Sie ihn rechtzeitig.	Entleeren Sie den Schmutzwassertank und reinigen Sie ihn regelmäßig.
Der Schmutzwassertank ist voll. Reinigen Sie ihn rechtzeitig.	Überprüfen und reinigen Sie den Tank.
Setzen Sie den Roboter zurück in die Reinigungsstation	Der Roboter kann die Reinigungsstation nicht finden. Setzen Sie den Roboter zum Laden zurück in die Reinigungsstation.
Niedriger Akkustand. Laden Sie den Roboter.	Der Roboter kann die Ladestation nicht finden. Setzen Sie den Roboter manuell zurück in die Reinigungsstation.

Produktspezifikation

M1S

Klassifikation	Element	Detail
Mechanische Daten	Abmessungen	353 x 353 x 96,5 mm
	Gewicht	4,1 kg
Elektrische Daten	Leistung	40 W
	Akku-Typ	5200 mAh
	Art der Aufladung	Automatisches Laden
Reinigungsdaten	Reinigungsmodus	Spot, Kante, MAX, Tagesplan
	Ladezeit	250-300 Min
	Reinigungszeit	≈ 180 Min
Tasten am Hauptgehäuse	-	Mechanische Tasten
WLAN-Verbindung	-	Wi-Fi IEEE 802.11b/g/n 2.4 GHz Bluetooth 4.2, RF 433 MHz

Reinigungsstation

Klassifikation	Element	Detail
Mechanische Daten	Abmessungen	410 x 450 x 390 mm
	WLAN-Verbindung	RF 433 MHz
Elektrische Daten	Nennaufnahmeleistung	00-240 V~ 50/60 Hz
	Nennausgangsleistung	20 V 3.25 A
	Ladeeingangsleistung	45 W

Frequenzband

Frequenzband und Ausgangsleistung

TX Frequenz	2.4 ~ 2.4835 GHz
RX Frequenz	2.4 ~ 2.4835 GHz
Antennengewinn	2.6 dBi
RF Ausgangsleistung	802.11b 17+-2 dBm 802.11g 17+-1.5 dBm 802.11n 16+-1.5 dBm

EU Konformitätserklärung

Hiermit erklärt die **ROBOVOX Distributions GmbH**, dass das Funkgerät des Typs **ZACO M1S** der Richtlinie 2014/53/EU entspricht.

Der vollständige Text der EU-Konformitätserklärung ist auf der Internetadresse <https://conformity.zaco.eu/download/m1s.pdf> zu finden.

Estimado Cliente,

¡Gracias por comprar el robot aspirador ZACO A11s Pro robot vacuum cleaner! Te has unido a los millones de personas que limpian con robots ... la forma más inteligente de bajarlo.

Por favor, tómese unos minutos para leer este manual y familiarizarse con su robot, para obtener el mejor rendimiento de su robot. Si tiene algún problema, por favor no se preocupe, se supone que debe contactar primero con nuestro servicio de atención al cliente o visitar nuestra página web en www.zaco.eu para más información.

Saludos cordiales,

Servicio de atención al cliente de ZACO

Servicio de atención al cliente de ZACO

Número de atención al cliente

00800-42377961 (Llamada gratuita europea)

0209-513038-38 (Línea directa Alemania)

support@zaco.eu | www.zaco.eu

Robovox Distributions GmbH

Hamburger Straße 11 | 45889 Gelsenkirchen | Germany

Social Media

 [RobovoxZACO](#)  [zaco_robot](#)  [ZACO Robot](#)

Contenido

Instrucciones de seguridad	4
Instrucciones de uso	4
Implicaciones medioambientales / Retirada de la batería	6
Resumen del producto	8
Contenido de la caja	8
Robot	9
Estación de limpieza	10
Estado del robot / Estado de la estación de limpieza	11
Modo de uso	12
Estación de limpieza	12
Instalación del recogedor de polvo	15
Instalación del depósito de agua limpia y la mopa	16
Funcionamiento	17
Descarga de la app	22
Mantenimiento	23
Recogedor de polvo	23
Depósito de agua sucia/tamiz de agua sucia	25
Cepillo principal / Cepillo lateral	26
Rueda delantera / Sensor de límites	27
Tubería del filtro del depósito de agua limpia	28
Resolución de problemas	29
Especificaciones del producto	32
Banda de frecuencia / Declaración de conformidad de la UE	33

Instrucciones de seguridad



ADVERTENCIA!

El sensor de navegación incluye un láser giratorio de Clase 1 según la norma IEC/EN 60825-1 durante todos los procedimientos de funcionamiento.

- No apunte con el láser a otras personas.
- Nunca mire directamente al láser o al rayo reflejado.
- Apague siempre el robot aspirador durante las tareas de mantenimiento.
- Las modificaciones (cambios) o los intentos de reparar el robot aspirador o el sensor de navegación están estrictamente prohibidos y pueden provocar una exposición peligrosa a la radiación, así como la anulación de la garantía.

Instrucciones de uso

1. Este producto está diseñado únicamente para la limpieza de suelos en entornos domésticos y no debe utilizarse en exteriores o en entornos no residenciales, comerciales o industriales.
2. Este producto no puede ser utilizado por personas con discapacidades físicas, sensoriales o intelectuales ni por personas sin la experiencia y los conocimientos pertinentes (incluidos los niños), a menos que haya presente un adulto que garantice que puedan utilizarlo de forma segura.
3. No permita que los niños jueguen con el robot como si fuera un juguete. Cuando el robot esté en funcionamiento, asegúrese de que los niños y las mascotas estén lo más lejos posible del producto.
4. Si el cable de alimentación está roto, debe ser sustituido por el fabricante o el departamento de mantenimiento.
5. No permita en ningún momento que haya niños, mascotas o cualquier objeto encima del robot.

Instrucciones de seguridad

6. No coloque el cepillo de limpieza en la zona donde los niños puedan tocarlo.
7. No utilice la tapa del láser como asa para levantar el robot.
8. No utilice el producto en un entorno suspendido (p. ej., en suelos dobles, balcones abiertos o encima de muebles) sin barandillas o barreras de protección.
9. No lo utilice en un entorno donde la temperatura sea superior a 35 °C , inferior a 0 °C o si hay en el suelo algún líquido u objeto pegajoso.
10. No utilice el robot para limpiar objetos en llamas.
11. Antes de utilizar el robot, retire u ordene todos los cables del suelo para evitar arrastrarlos durante el funcionamiento.
12. Retire los objetos y artículos frágiles que se encuentren en el suelo (p. ej., jarrones, bolsas de plástico, etc.) para evitar que resulten dañados artículos de valor debido a una obstrucción o un choque leve durante el funcionamiento.
13. No utilice el modo de fregado sobre alfombras. Cuando limpie el suelo, establezca paredes virtuales o zonas prohibidas alrededor de la zona enmoquetada.
14. No deje que el robot aspire objetos rígidos o afilados (p. ej., residuos decorativos, cristales, clavos, etc.).
15. Limpie y lleve a cabo el mantenimiento del robot y la estación de carga cuando la alimentación esté desconectada.
16. No coloque el robot boca abajo en el suelo.
17. Siga el manual del producto o la guía rápida para utilizar el producto. El usuario deberá asumir las consecuencias en caso de cualquier pérdida ocasionada por un uso inadecuado.
18. Antes del transporte, asegúrese de que el robot esté apagado.

Instrucciones de seguridad

Batería y carga

1. No utilice una batería, cable de alimentación o estación de limpieza de terceros.
2. No desmonte, repare o modifique la batería o la estación de limpieza.
3. No limpie los puntos de carga de la estación de limpieza con un trapo mojado o las manos mojadas.
4. No coloque la estación de limpieza junto a una fuente de calor (p. ej., un radiador).
5. Antes de desechar el robot, desconecte la alimentación y retire la batería.
6. Si el producto va a estar almacenado durante mucho tiempo, cárguelo completamente y guárdelo en un lugar seco y a la sombra.
7. Se recomienda cargarlo al menos una vez cada 3 meses para evitar que se produzcan daños en la batería.

Implicaciones medioambientales

Los productos químicos contenidos en la batería de iones de litio incluida pueden contaminar el medio ambiente.

Antes de desechar la batería, retírela y deshágase de ella de forma responsable y cuidadosa, de acuerdo con las normas y reglamentos locales.

Retirada de la batería

Las siguientes instrucciones son aplicables únicamente a la hora de guardar el robot aspirador. No se aplican a operaciones rutinarias:

1. Haga funcionar el robot hasta que el nivel de batería sea demasiado bajo para funcionar.
2. Apáguelo.
3. Retire la carcasa inferior del robot aspirador.
4. Presione el cierre para sacar el enchufe del conector y retire la batería.

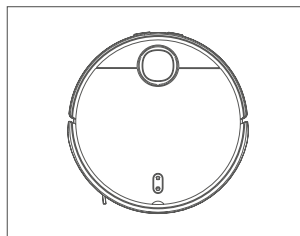
Instrucciones de seguridad

Nota

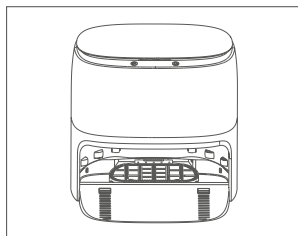
1. Retire el conjunto del paquete de baterías en su conjunto y evite dañar la carcasa en caso de cortocircuito o fuga de sustancias peligrosas.
2. Si la batería presenta una fuga y se expone accidentalmente a ella, aclárese inmediatamente con abundante agua y acuda al médico.

Resumen del producto

Contenido de la caja



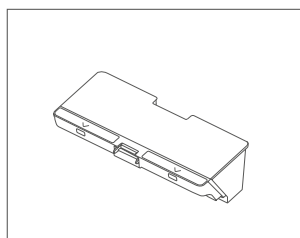
Robot



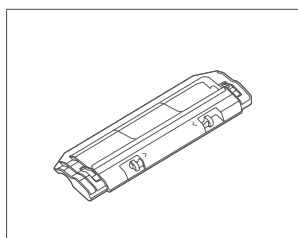
Estación de limpieza



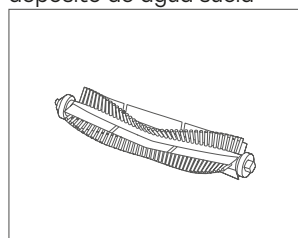
Depósito de agua limpia /
depósito de agua sucia



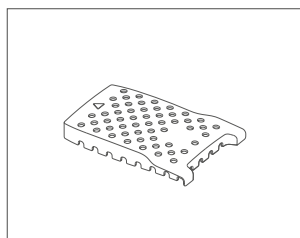
Recogedor de polvo



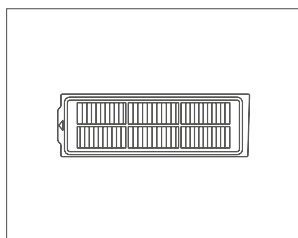
Tapa del cepillo principal



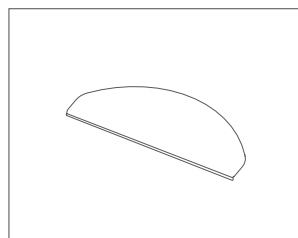
Cepillo principal



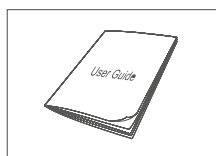
Tamiz de agua sucia



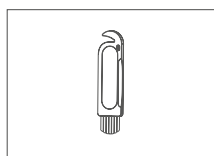
Malla del filtro



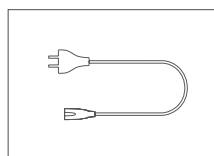
2x Mopa



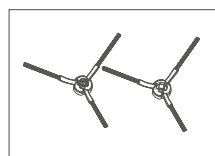
Manual de usuario



Herramienta de
limpieza



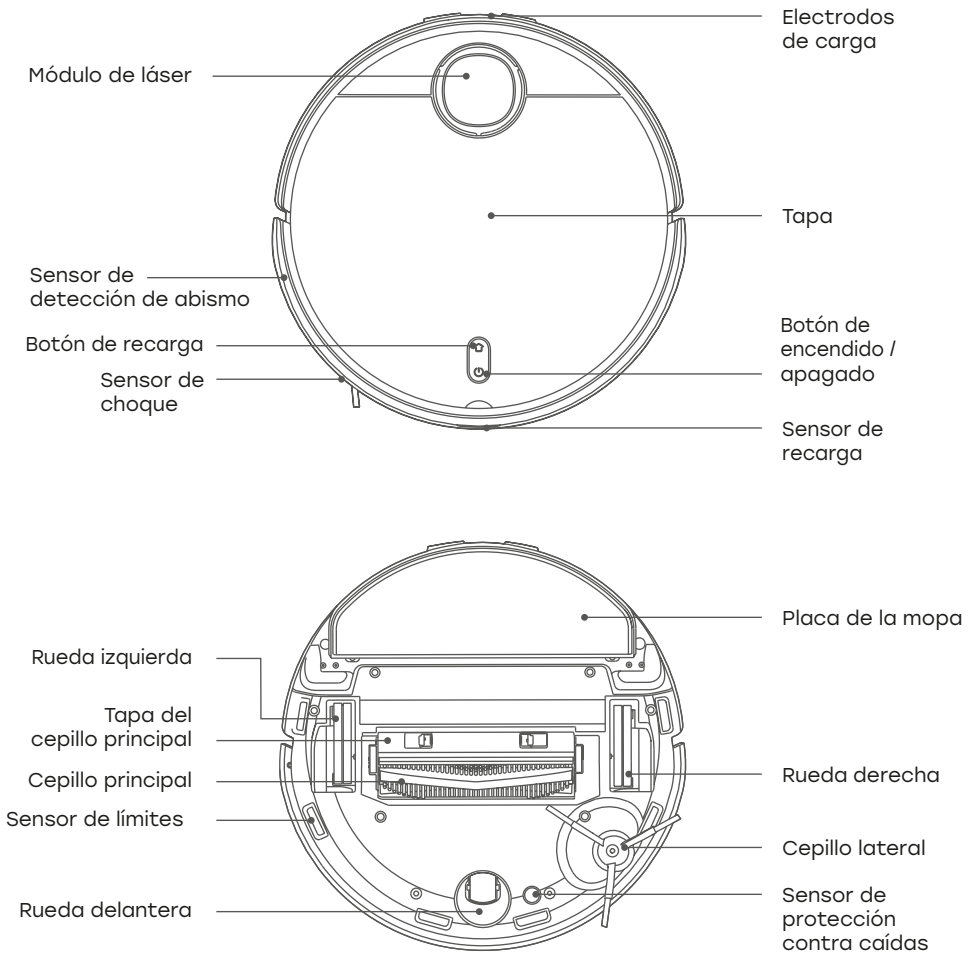
Cable de
alimentación



2x Cepillo lateral

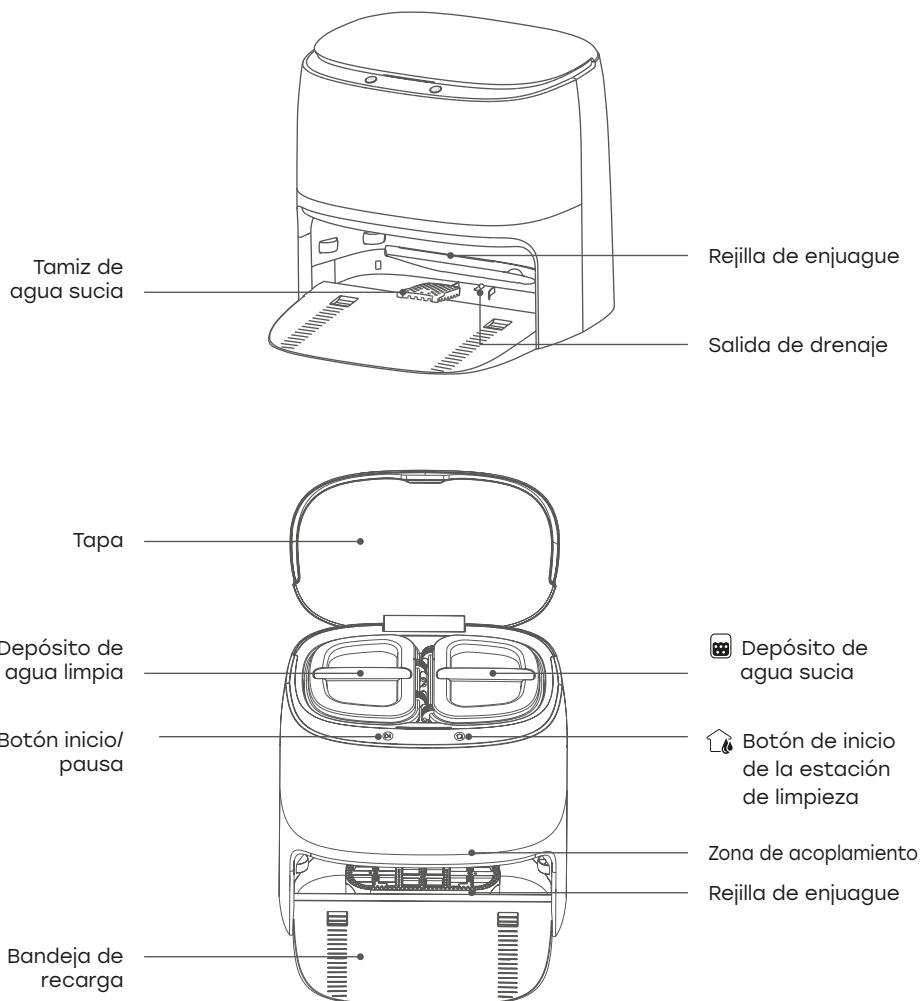
Resumen del producto

Robot



Resumen del producto

Estación de limpieza



Resumen del producto

Estado del robot

Señal luminosa	Solución
La luz blanca está encendida siempre	El robot funciona con normalidad
La luz blanca emite pulsos	El robot se está cargando
La luz blanca parpadea	Recarga del robot/actualización del firmware
La luz amarilla está encendida siempre	La Wi-Fi del robot está desactivada
La luz amarilla parpadea	Error del robot
La luz del robot está apagada	El robot está apagado

Estado de la estación de limpieza

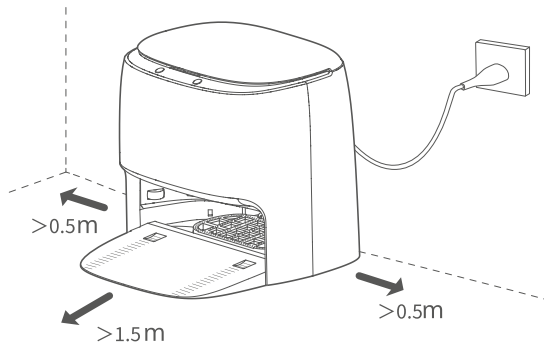
Señal luminosa	Solución
La luz blanca está encendida siempre	La estación de limpieza funciona con normalidad
La luz blanca emite pulsos	El robot está limpiando
La luz blanca parpadea	Error de la estación de limpieza

Modo de uso

Estación de limpieza

1. Instalación

Coloque la estación de carga contra la pared e introduzca el cable de alimentación.



Nota

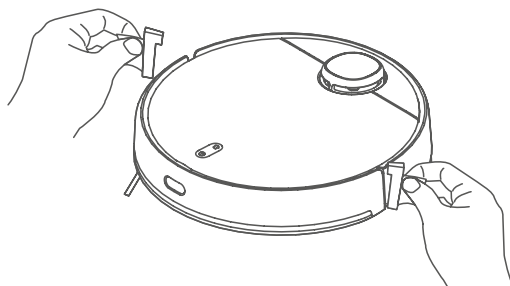
1. No exponga la estación de limpieza a la luz solar directa.
2. Asegúrese de que haya un espacio de al menos 0,5 m a la izquierda y a la derecha de la estación de limpieza, y un espacio de al menos 1,5 m delante de ella, tal y como se muestra en la imagen.
3. Preste atención al cable de alimentación, ya que podría ser arrastrado por el robot y provocar el desplazamiento o el apagado de la estación de limpieza.
4. El depósito de agua limpia, el depósito de agua sucia y la placa de enjuague deben instalarse en la posición correcta.

Modo de uso

Estación de limpieza

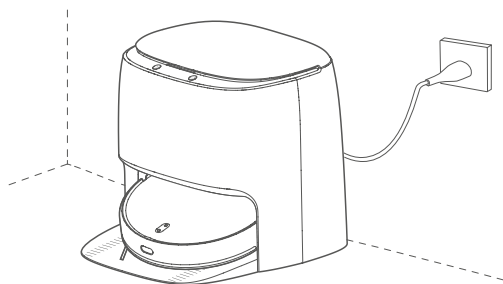
2. Retire las barras antichoque.

Antes de utilizar el robot, asegúrese de retirar las barras antichoque de ambos lados.



3. Encendido y carga

Al utilizarlo por primera vez, coloque el robot en los contactos de carga de la estación de limpieza para cargarlo. En el uso diario, pulse directamente el botón de inicio de la estación de limpieza para iniciar la carga.



Modo de uso

Estación de limpieza

Botón inicio/pausa

1. En modo stand-by, pulse para iniciar la limpieza.
2. Durante la limpieza, pulse para pausarla.
3. Pulse para detener la recarga.



Botón de inicio de la estación de limpieza

1. Cuando el robot se encuentre en la estación de limpieza, pulse durante un breve periodo de tiempo para iniciar/pausar el enjuague.
2. Cuando el robot esté en funcionamiento, pulse para que vuelva a la estación de limpieza y se recargue.
3. Robot en la estación o en stand-by, pulse durante un periodo largo para iniciar/detener el secado con aire.

Nota

1. El robot se pone en marcha automáticamente tras acoplarse a la estación de limpieza y no se puede apagar durante la carga.
2. El depósito de agua limpia, el depósito de agua sucia y la placa de enjuague deben instalarse en su lugar.

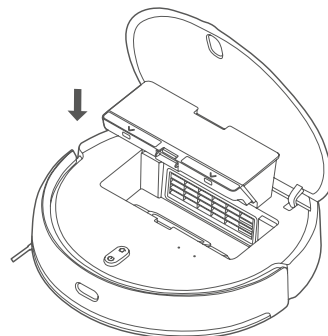
Modo de uso

Instalación del recogedor de polvo

Abra la tapa superior de la abertura, coloque el recogedor de polvo en el robot y asegúrese de que el cierre está asegurado.

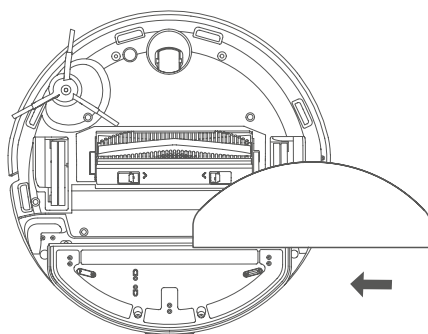
Nota

Limpe cada cierto tiempo el recogedor de polvo para mantener un rendimiento de limpieza máximo.



Instalación del depósito de agua limpia y la mopa

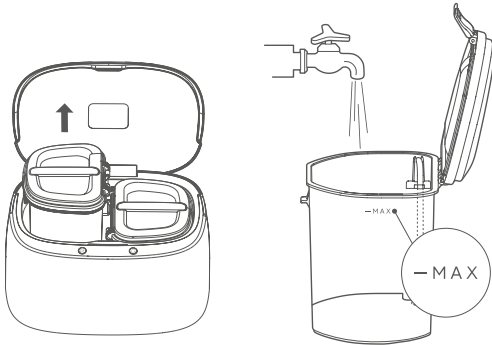
1. Como en el caso anterior, introduzca el trapo de la mopa por el lado abierto de la placa de la mopa. Presione la mopa hacia abajo de forma segura.



Modo de uso

Instalación del depósito de agua limpia y la mopa

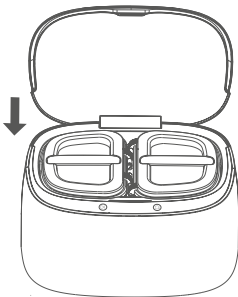
2. Saque el depósito de agua limpia y añada agua del grifo por debajo del nivel máximo de agua tal y como se indica en la imagen.



Nota

Compruebe cada cierto tiempo el depósito de agua sucia. Si está lleno, vacíelo.

3. Instale el depósito de agua limpia y el depósito de agua sucia en la estación de limpieza y cierre la tapa.



Nota

1. No utilice agua esterilizada ni detergentes.
2. No utilice agua caliente en el depósito de agua limpia.
3. Limpie cada cierto tiempo el exceso de agua en la estación de limpieza.

Modo de uso

1. Encendido / apagado

Mantenga pulsado "⏻" hasta que el robot se encienda o se apague.

2. Inicio de la limpieza

Pulse "⏻" para empezar a limpiar.

3. Pausa

Cuando el robot esté en funcionamiento, pulse el botón "⏻" para pausar la limpieza o reanudarla.

4. Mapa de memoria

El robot guardará automáticamente en su app un mapa después de completar con éxito un recorrido de limpieza y haya vuelto a la base para recargarse. Con este mapa puede crear zonas y dar nombre a estancias, entre otras cosas.

5. Modo de fregado con vibración

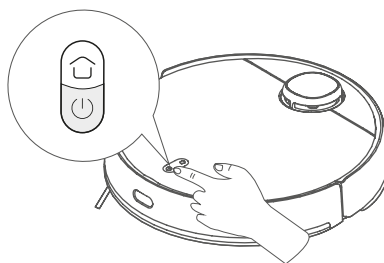
El modo de fregado con vibración está activado de forma predeterminada en la app. Este modo ofrecerá un mayor rendimiento de limpieza.

6. Selección del modelo/nivel

En la app es posible seleccionar diferentes modos de limpieza y niveles de potencia.

7. Recarga del robot

Una vez que el robot haya acabado la limpieza, se recargará automáticamente y determinará si se debe limpiar la mopa según el modo de limpieza. Si el robot no se encuentra en la estación, pulse el botón "🏠" del robot para iniciar la recarga.



Modo de uso

Funcionamiento

8. Llenado y vaciado de los depósitos de agua cuando corresponda

Llene el depósito de agua limpia con agua del grifo antes de poner en marcha el robot. Vacíe cada cierto tiempo el depósito de agua sucia.

Nota

No utilice productos de limpieza como detergentes, desinfectantes o detergentes sólidos para evitar la corrosión y que se produzcan daños en el equipo.

9. Limpieza programada

En la app puede configurar un programa de limpieza para que el robot limpie automáticamente en determinados días y horas.

Nota

La limpieza programada no se llevará a cabo durante el tiempo que se haya activado el modo no molestar en la app.

10. Recarga del equipo

Durante el funcionamiento, el robot volverá automáticamente a la estación de limpieza para limpiar el trapo de la mopa cada cierto tiempo. Una vez completado el enjuague, el robot regresará automáticamente al punto en el que se quedó para continuar con la limpieza. Mientras el robot esté limpiando, pulse el botón "🏠" de la estación de limpieza durante un breve periodo de tiempo; el robot volverá a la estación de limpieza y enjuagará el trapo de la mopa. Mientras el robot esté limpiando, pulse el botón "🏠" del robot durante un breve periodo de tiempo; el robot volverá a la estación de limpieza, enjuagará el trapo de la mopa y pasará al modo stand-by. En el modo stand-by, pulse el botón "🏠" de la estación de limpieza durante un breve periodo de tiempo para enjuagar el trapo de la mopa. Después de la limpieza, el robot pasará al modo stand-by

Modo de uso

Funcionamiento

11. Paredes virtuales/zonas prohibidas

El usuario puede definir en la app paredes virtuales/zonas prohibidas para el robot.

Nota

1. Antes de utilizar esta función, deberá crear y guardar un mapa en la app.
2. El movimiento del robot o los cambios en el entorno interior pueden hacer que se pierda el mapa original y cualquier pared virtual/zona prohibida.

12. Reanudación automática

Este producto incorpora una función de reanudación automática. Durante el proceso de limpieza, si el nivel de energía es bajo, el robot buscará automáticamente la estación de limpieza para cargarse. Una vez cargado, el robot volverá al punto en el que se quedó para continuar con la limpieza. Si la limpieza se interrumpe manualmente o el robot se mueve o se acciona durante la recarga o la carga, la reanudación automática se cancelará.

13. Limpieza por defecto

Si no hay guardado ningún mapa y se selecciona la limpieza por defecto, el robot empezará a limpiar en intervalos de 6 m x 6 m. Una vez que haya guardado un mapa, si se selecciona la limpieza por defecto, el robot empezará a limpiar cada estancia a lo largo de la ruta planificada.

14. Modo de limpieza de contornos

Al seleccionar la limpieza de contornos en la app, el robot empezará automáticamente a limpiar siguiendo los contornos de la estancia.

Nota

Durante la limpieza, el robot puede ir más allá de un área definida, así que asegúrese de eliminar cualquier obstáculo en el suelo dentro del área definida, ya que la definición de cualquier área no garantizará una separación segura.

Modo de uso

Funcionamiento

15. Modo de limpieza puntual

Al seleccionar el modo de limpieza puntual en la app, el robot limpiará una zona seleccionada cuadrada de 2 m x 2 m.

16. Modo no molestar

Cuando está activado el modo no molestar, la limpieza programada y informe de voz activo no están disponibles. El modo no molestar está activo, de forma predeterminada, durante el periodo comprendido entre las 23:00 y las 9:00 h. El modo no molestar se puede desactivar en la app.

17. Identificación de alfombras

Si se identifica una alfombra durante el funcionamiento, se activará automáticamente la función de aspiración y la mopa se levantará. Esta función se puede desactivar utilizando la función de evitar alfombras en la app. El robot evitará entonces automáticamente las alfombras.

Nota

En el caso de alfombras para niños, esterillas de yoga, alfombras de esponja y alfombras de pelo corto, pueden darse errores de apreciación que no afectarán al uso normal. Es posible establecer paredes virtuales/zonas prohibidas para evitar que el robot entre en zonas que no es necesario limpiar.

18. Modo stand-by

El robot pasará automáticamente al modo stand-by cuando esté inactivo durante 5 minutos.


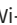
Nota

El robot no pasará al modo stand-by automáticamente en la estación de limpieza.

Modo de uso

Funcionamiento

19. Reinicio de la Wi-Fi

Si se ha cambiado la contraseña de acceso al router o a la Wi-Fi, tendrá que reiniciar la conexión Wi-Fi manteniendo pulsados "  " y "  " durante 7 segundos mientras el robot está encendido. La conexión Wi-Fi se habrá reiniciado correctamente cuando se escuche la indicación de voz «Wi-Fi reset and network configuration activated (Reinicio de la Wi-Fi y configuración de red activados).

20. Reinicio del sistema

Pulse el botón de reinicio durante 3 s. Cuando escuche «Successfully reset the system» (Sistema reiniciado correctamente), el robot se reiniciará automáticamente y los ajustes pertinentes como, por ejemplo, la limpieza programada y la Wi-Fi, se restablecerán a los valores de fábrica. Pulse el botón de reinicio durante 10 s. Después de escuchar «Successfully recover the system» (Sistema recuperado correctamente), el robot se reiniciará automáticamente, los ajustes pertinentes como, por ejemplo, la limpieza programada y la Wi-Fi, se restablecerán a los valores de fábrica y el sistema se reiniciará a la versión del firmware anterior.

Nota

Tras reiniciar el sistema, el robot tendrá que volverse a conectar a la app; todos los ajustes anteriores de la app se eliminan.

Descarga de la app

1. ZACO Home App

SEscanee este código QR para descargar e instalar la app.



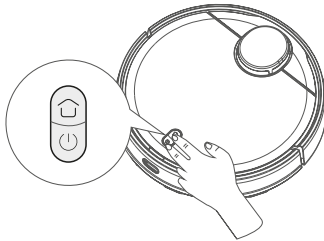
 ZACOHome APP



 ZACOHome APP

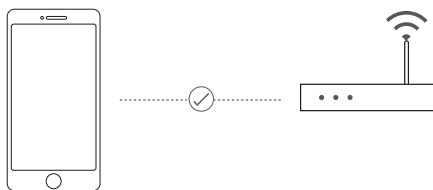
2. Configuración de la red

Mantenga pulsados los botones "  +  " durante 7 s para acceder al modo de emparejamiento con la red.



3. Configuración de la red

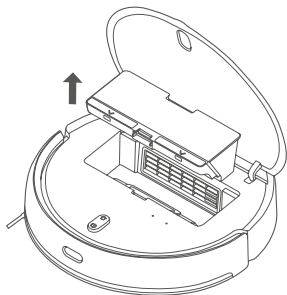
Compruebe que el nombre de la Wi-Fi no incluye caracteres especiales.



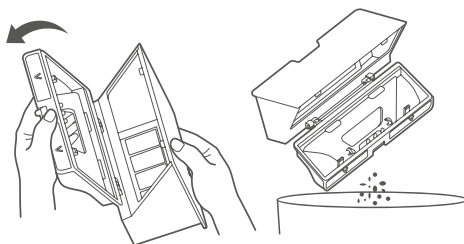
Mantenimiento

Recogedor de polvo

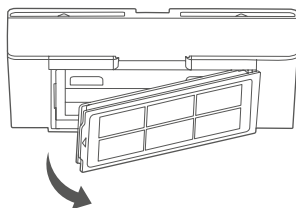
1. Abra la tapa del robot, presione el botón de liberación del recogedor de polvo y sáquelo.



2. Abra la tapa del recogedor de polvo tal y como se muestra en la figura y vacíelo.



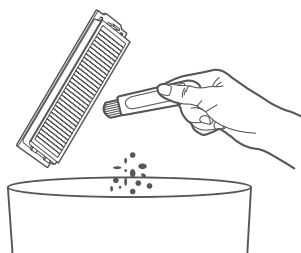
3. Extraiga la malla del filtro tal y como se muestra en la figura.



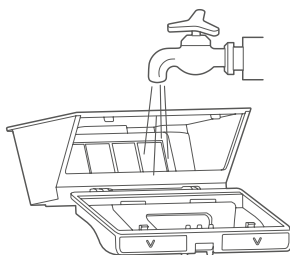
Mantenimiento

Recogedor de polvo

4. Límpielo con agua limpia, séquelo y vuelva a colocarlo.



5. Limpie el recogedor de polvo y la malla del filtro con el cepillo de limpieza.



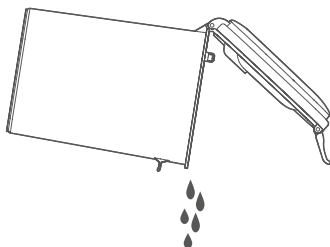
Nota

Se recomienda limpiar a conciencia el recogedor de polvo al menos una vez por semana. Seque el recogedor de polvo y la malla del filtro antes de utilizarlos.

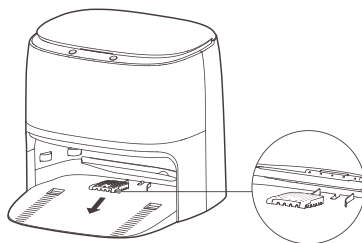
Mantenimiento

Depósito de agua sucia/tamiz de agua sucia

1. Saque el depósito de agua sucia y vacíelo.



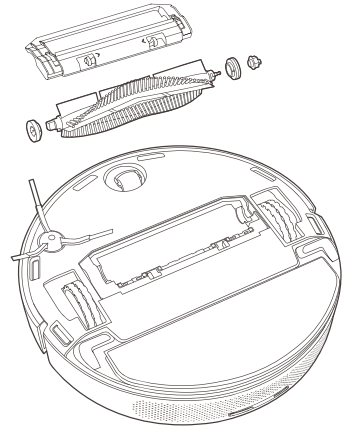
2. Levante la rejilla de enjuague y saque el tamiz de agua sucia para limpiarlo.



Mantenimiento

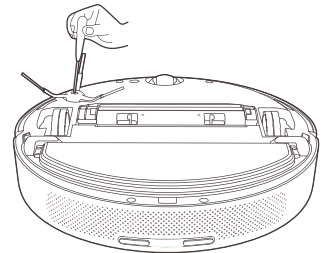
Cepillo principal

- Dé la vuelta al robot y presione los dos botones de liberación para retirar la tapa del cepillo principal.
- Tire hacia arriba del cepillo principal.
- Retire los soportes del cepillo principal en ambos extremos de este.
- Para limpiar el cepillo principal, corte con la herramienta de limpieza el pelo enredado en el cepillo y retírelo.
- Monte las piezas individuales del cepillo.
- Vuelva a colocar el cepillo principal y la tapa de este.



Cepillo lateral

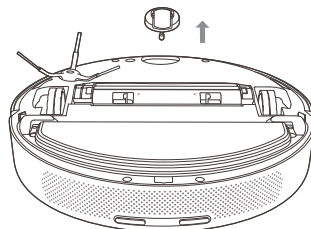
- Dé la vuelta al robot y retire el tornillo de fijación del cepillo lateral.
- Retire y limpie el cepillo lateral.
- Vuelva a colocar el cepillo lateral y bloquee el tornillo.



Mantenimiento

Rueda delantera

- Dé la vuelta al robot y tire de la rueda delantera hacia arriba.
- Limpie y, a continuación, vuelva a instalar la rueda delantera.

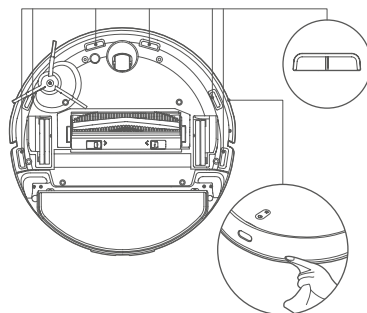


Sensor de límites

- Utilice un trapo suave y seco para limpiar los sensores de límites y los sensores IR cada cierto tiempo.

Nota

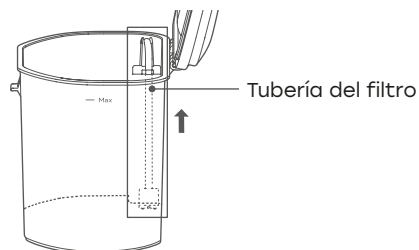
o utilice productos químicos como detergentes o espráis para limpiar los sensores.



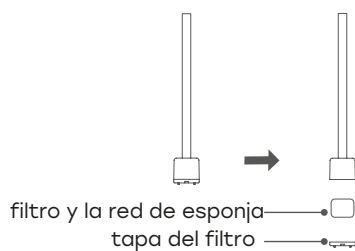
Mantenimiento

Tubería del filtro del depósito de agua limpia

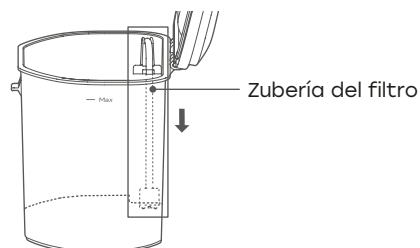
1. Tire hacia afuera de la tubería del filtro del depósito de agua limpia.



2. Abra la tapa del filtro y limpie la tapa del filtro y la red de esponja.



3. Vuelva a instalar la tubería del filtro.



Resolución de problemas

Mensaje de fallo	Solución
El robot no se puede encender	El nivel de batería es bajo. Cargue el robot antes de utilizarlo.
Fallo al iniciar el robot la limpieza	El nivel de batería es bajo. Cargue el robot antes de utilizarlo.
El robot no puede volver a la base para cargarse.	<ol style="list-style-type: none"> Hay demasiadas barreras alrededor de la estación de limpieza. Coloque la estación de limpieza como se indica anteriormente. El robot está demasiado lejos de la estación de limpieza. Coloque el robot cerca de la estación de limpieza e inténtelo de nuevo.
Acciones anormales del robot	Apague y reinicie el robot.
Sonido anormal durante la limpieza	Compruebe y limpie las piezas exteriores del cepillo principal, el cepillo lateral y la rueda izquierda/derecha una vez apagado el robot.
El rendimiento de limpieza se reduce o se producen fugas de polvo.	<ol style="list-style-type: none"> El recogedor de polvo está lleno. Vacíe el recogedor. La malla del filtro está bloqueada. Limpie la malla del filtro. El cepillo principal está bloqueado. Limpie el cepillo principal.
El robot está offline	<ol style="list-style-type: none"> Señal Wi-Fi débil. Asegúrese de que el robot está dentro del alcance de la señal Wi-Fi y compruebe la configuración de su red. Reinicie la conexión Wi-Fi, descargue la app más actualizada e inténtelo de nuevo.
Fallo en la reanudación automática del robot	Asegúrese de que no está activado el modo no molestar.
Fallo en la carga del robot	Asegúrese de que hay suficiente espacio alrededor de la estación de limpieza de que la superficie de los electrodos de la estación de limpieza no presenta polvo ni está bloqueada.

Resolución de problemas

Fallo al realizar la limpieza programada	<ol style="list-style-type: none"> 1. Si el robot no está conectado a la Wi-Fi, los ajustes de la hora no se pueden sincronizar y no puede dar comienzo la limpieza programada. 2. Asegúrese de que el robot no está en modo no molestar; de lo contrario, la limpieza programada se desactivará. 3. Asegúrese de que el robot no está en modo de bloqueo; de lo contrario, la limpieza programada se desactivará.
El robot está siempre off-line	Asegúrese de que la configuración de la red del robot es correcta y que el robot está siempre dentro del rango de la señal Wi-Fi.
Fallo al conectarse el robot a la app	Asegúrese de que el robot y la estación de limpieza se encuentran en una zona con buena señal Wi-Fi; reinicie la Wi-Fi según los pasos que se indican y, a continuación, emparéjelo de nuevo.
Fallo al limpiar la mopa	<ol style="list-style-type: none"> 1. Compruebe que el depósito de agua limpia no está vacío. Si está vacío, llénelo. 2. Si el depósito de agua limpia está lleno, compruebe el orificio de drenaje. 3. Compruebe que el depósito de agua sucia no está lleno. Si lo está, vacíelo.
Asegúrese de que el sensor láser no está bloqueado.	El sensor láser de medición de distancia está bloqueado o atascado. Elimine con cuidado el bloqueo.
Limpie el sensor de límites y vuelva a colocar el robot.	<ol style="list-style-type: none"> 1. El robot está inestable o separado del suelo. Vuelva a colocar el robot y reinicielo. 2. El sensor de límites está sucio. Limpie el sensor de límites.
Compruebe el sensor de choque y retire de él cualquier objeto extraño.	El sensor de choque está atascado. Retire el objeto extraño dando golpecitos en el sensor. Si no hay ningún objeto extraño, reinicie el robot.

Resolución de problemas

Coloque el robot sobre un terreno horizontal y póngalo en marcha.	Se ha detectado que el robot no está sobre una superficie plana. Coloque el robot sobre una superficie plana y póngalo en marcha; también puede efectuar la nivelación en la app y reiniciar el robot.
Ponga el robot en el suelo para empezar.	Las ruedas están suspendidas. Muévelo a una posición nueva para empezar.
Elimine cualquier obstáculo alrededor del robot e inténtelo de nuevo.	<ol style="list-style-type: none"> 1. El robot podría estar atascado o atrapado. Elimine cualquier barrera alrededor del robot. 2. Sustituya el recogedor de polvo y la malla del filtro y asegúrese de que ambos están instalados correctamente.
Asegúrese de que el recogedor de polvo está montado correctamente.	Compruebe el recogedor de polvo y la malla del filtro y asegúrese de que ambos están instalados correctamente.
Asegúrese de que se ha instalado el depósito de agua limpia.	Vuelva a instalar el depósito de agua limpia y asegúrese de que está instalado correctamente.
Asegúrese de que se ha instalado el depósito de agua sucia.	Vuelva a instalar el depósito de agua sucia y asegúrese de que está instalado correctamente.
Asegúrese de que se ha instalado la rejilla para aguas residuales.	Limpie el tamiz de agua sucia y asegúrese de que está instalado correctamente.
El depósito de agua limpia está vacío. Añada agua limpia a tiempo.	Compruebe y rellene el depósito de agua limpia.
El depósito de agua sucia está lleno. Límpielo a tiempo	Vacíe el agua del depósito de agua sucia y límpielo cada cierto tiempo.
El depósito de agua sucia está lleno. Límpielo a tiempo	Compruebe y limpie el depósito.
Vuelva a desplazar el robot hasta la estación de limpieza.	El robot no puede localizar la posición de la estación de limpieza. Vuelva a poner el robot en la estación de limpieza para cargarlo.
Nivel de batería bajo. Cargue el robot.	Fallo de localización de la estación de carga por parte del robot. Vuelva a poner manualmente el robot en la estación de limpieza.

Especificaciones del producto

M1S

Clasificación	Elemento	Información detallada
Especificaciones mecánicas	Tamaño	353 x 353 x 96,5 mm
	Peso	4,1 kg
Especificaciones eléctricas	Alimentación	40 W
	Tipo de batería	5200 mAh
	Tipo de carga	Carga automática
Especificaciones de limpieza	Modo de limpieza	Limpieza puntual, Contornos, MÁX y Programación diaria
	Tiempo de carga	250-300 Min
	Tiempo de limpieza	≈ 180 Min
Tipo de botón de la unidad principal	-	Botón mecánico
Conexión inalámbrica	-	Wi-Fi IEEE 802.11b/g/n 2.4 GHz Bluetooth 4.2, RF 433 MHz

Cleaning station

Clasificación	Elemento	Información detallada
Especificaciones mecánicas	Tamaño	410 x 450 x 390 mm
	Conexión inalámbrica	RF 433 MHz
Especificaciones eléctricas	Entrada nominal	00-240 V~ 50/60 Hz
	Salida nominal	20 V 3.25 A
	Entrada de carga	45 W

Banda de frecuencia

Banda de frecuencia y potencia de salida

Frecuencia TX	2.4 ~ 2.4835 GHz
Frecuencia RX	2.4 ~ 2.4835 GHz
Ganancia de la antena	2.6 dBi
Potencia de salida RF	802.11b 17+-2 dBm 802.11g 17+-1.5 dBm 802.11n 16+-1.5 dBm

Declaración de conformidad de la UE

Robovox Distributions GmbH declara por la presente que la radio **ZACO M1S** cumple con la Directiva 2014/53/UE.

El texto completo de la declaración de conformidad de la UE puede encontrarse en la dirección de Internet <https://conformity.zaco.eu/download/m1s.pdf>

Cher client,

Nous vous remercions d'avoir acheté l'aspirateur robot ZACO V6. Vous faites désormais partie de la famille ZACO ! Vous avez rejoint les millions de personnes qui nettoient avec ZACO - la solution la plus intelligente pour faire votre ménage.

Restez connecté avec nous sur Facebook et twitter pour profiter d'avantages exclusifs :

- Bénéficiez d'une assistance adaptée à votre robot spécifique, comprenant des réponses aux questions, des conseils de maintenance, des démonstrations vidéo, un chat en direct et bien plus encore.
- Obtenez des mises à jour de produits et d'autres informations précieuses sur les nouveaux robots, des réductions exclusives et des promotions spéciales.

Meilleures salutations,

Service clientèle de ZACO

Service clientèle de ZACO

Numéro du service clientèle

00800-42377961 (appel gratuit en Europe)

0209-513038-38 (Ligne directe - DE)

support@zaco.eu | www.zaco.eu

Robovox Distributions GmbH

Hamburger Straße 11 | 45889 Gelsenkirchen | Germany

Social Media

 RobovoxZACO  zaco_robot  ZACO Robot

Sommaire

Instructions de sécurité	4
Instructions d'utilisation	4
Implications environnementales / Retrait de la batterie	6
Aperçu du produit	8
Contenu de la boîte	8
Robot	9
Station de nettoyage	10
Statut du robot / Statut de la station de nettoyage	11
Mode d'emploi	12
Station de nettoyage	12
Installation du bac de récupération	15
Installation d'un réservoir d'eau propre et de la serpillière	16
Opération	17
Téléchargement de l'APP	22
Maintenance	23
Cac à poussiere	23
Réservoir d'eau sale	25
Brosse principale / Brosse latérale	26
Roue avant / Capteur de bordures	27
Tuyau de filtration du réservoir d'eau propre	28
Dépannage	29
Spécifications du produit	32
Bande de fréquences / Déclaration de conformité de l'UE	33

Instructions de sécurité



AVERTISSEMENT!

Le capteur de navigation contient un laser rotatif de classe 1 conformément à la norme IEC/EN 60825-1 pendant toutes les procédures de fonctionnement.

- Ne dirigez jamais le laser vers d'autres personnes.
- Ne regardez jamais directement le laser ou le faisceau réfléchi.
- Éteignez toujours l'aspirateur robot pendant toute opération de maintenance.
- Les modifications (changements) ou les tentatives de réparation de l'aspirateur robot ou du capteur de navigation sont strictement interdites et peuvent entraîner une exposition dangereuse aux radiations et une perte de garantie.

Instructions d'utilisation

1. Ce produit est uniquement utilisé pour le nettoyage de sol dans un environnement domestique et ne doit pas être utilisé en extérieur, dans un environnement commercial ou industriel.
2. Ce produit ne doit pas être utilisé par des personnes souffrant de handicaps physiques, sensoriels ou intellectuels et par des personnes sans expérience ni connaissances pertinentes (y compris les enfants), à moins qu'un adulte ne soit présent pour s'assurer qu'elles peuvent utiliser ce produit en toute sécurité.
3. Ne laissez pas les enfants jouer avec le robot comme s'il s'agissait d'un jouet. Lorsque le robot est en fonctionnement, veillez à ce que les enfants et les animaux domestiques soient aussi éloignés que possible du produit.
4. Si le câble d'alimentation est cassé, il doit être remplacé par le fabricant ou le service de maintenance.
5. Veuillez ne pas mettre d'enfants, d'animaux domestiques ou d'objets sur le robot à tout moment.
6. Ne placez pas la brosse de nettoyage dans un endroit où les enfants peuvent la toucher.

Instructions de sécurité

7. N'utilisez pas le couvercle du laser comme poignée pour soulever le robot.
8. Veuillez ne pas utiliser le produit dans un environnement suspendu (comme les doubles sols, les balcons ouverts ou les dessus de meubles) sans rails ou barrières de protection.
9. Ne l'utilisez pas dans un environnement où la température est supérieure à 35°C, inférieure à 0°C ou s'il y a des liquides et des objets collants sur le sol.
10. N'utilisez pas le robot pour nettoyer des objets en feu.
11. Avant l'utilisation, veuillez retirer ou ranger tous les fils sur le sol pour éviter qu'ils ne traînent pendant le fonctionnement.
12. Veuillez retirer les objets fragiles et les articles divers se trouvant sur le sol (tels que les vases, les sacs en plastique, etc.) afin d'éviter d'endommager les articles précieux en raison d'une obstruction ou d'une légère collision pendant le fonctionnement.
13. Veuillez ne pas utiliser le mode serpillère sur la moquette. Lorsque vous nettoyez le sol, veuillez mettre en place des murs virtuels ou des zones interdites autour de la zone moquetée.
14. Ne laissez pas l'orifice d'aspiration absorber des objets durs ou pointus (tels que des déchets de décoration, du verre, des clous, etc.)
15. Veuillez nettoyer et entretenir le robot et la station de charge lorsque l'alimentation est coupée.
16. Ne posez pas le robot à l'envers sur le sol.
17. Veuillez suivre le manuel du produit ou le guide rapide pour utiliser le produit. En cas de perte due à une utilisation inappropriée, l'utilisateur devra en assumer seul les conséquences.
18. Avant le transport, veuillez-vous assurer que le robot est éteint.

Instructions de sécurité

Batterie et charge

1. N'utilisez pas de batterie, de câble d'alimentation ou de station de nettoyage d'une autre marque.
2. Ne pas démonter, réparer ou modifier la batterie ou la station de nettoyage.
3. N'essuyez pas ou ne nettoyez pas les points de charge de la station de nettoyage avec un chiffon humide ou des mains mouillées.
4. Ne placez pas la station de nettoyage près d'une source de chaleur (comme un radiateur).
5. Avant de jeter le robot à la poubelle, mettez-le hors tension et retirez la batterie.
6. Si le produit doit être stocké pendant une longue période, chargez-le complètement et stockez-le dans un endroit sec et à l'ombre.
7. Il est recommandé de la charger au moins une fois tous les 3 mois pour éviter d'endommager la batterie.

Implications environnementales

Les produits chimiques contenus dans la batterie lithium-ion intégrée peuvent polluer l'environnement. Avant la mise à la poubelle, retirez la batterie et mettez-la à la poubelle de manière responsable et avec précaution, conformément aux règles et réglementations locales.

Instructions de sécurité

Retrait de la batterie

Les instructions ci-dessous s'appliquent uniquement au rangement de l'aspirateur robot. Elles ne concernent pas les opérations de routine :

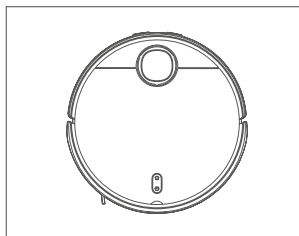
1. Faites fonctionner le robot jusqu'à ce que la batterie soit trop faible pour fonctionner.
2. Éteignez le.
3. Retirez la coque inférieure de l'aspirateur robotisé.
4. Appuyez sur la boucle pour retirer la fiche du connecteur et enlever la batterie.

Note

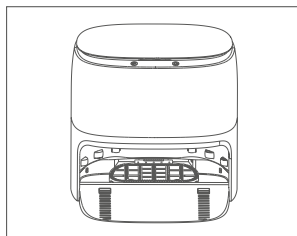
1. Veuillez retirer l'ensemble du bloc-piles et éviter d'endommager sa coque en cas de court-circuit ou de fuite de substances dangereuses.
2. Si la batterie fuit et que l'utilisateur y est accidentellement exposé, veuillez rincer immédiatement avec une grande quantité d'eau et consulter un médecin.

Aperçu du produit

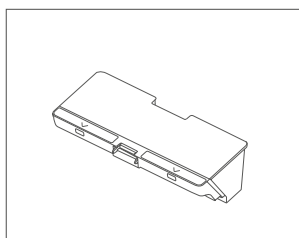
Contenu de la boîte



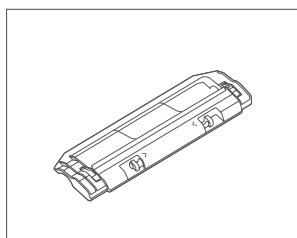
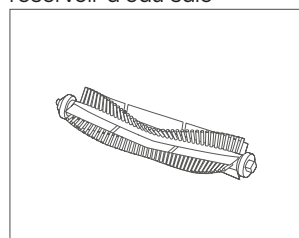
Robot



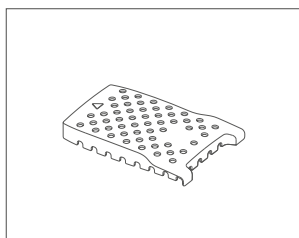
Station de nettoyage

Réservoir d'eau propre /
réservoir d'eau sale

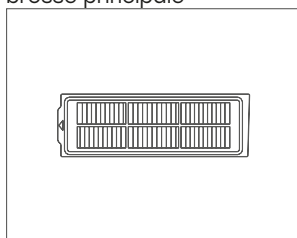
Bac de récupération

Couvercle de la
brosse principale

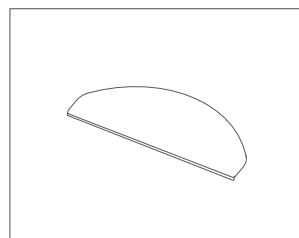
Brosse principale



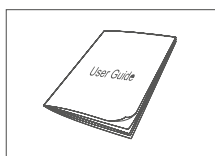
Tamis pour eaux sales



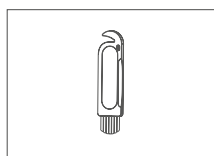
Filtre



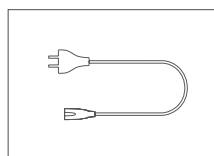
Serpillère (2x)



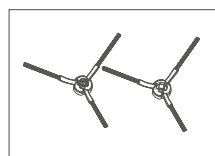
Manuel d'utilisation



Outil de nettoyage



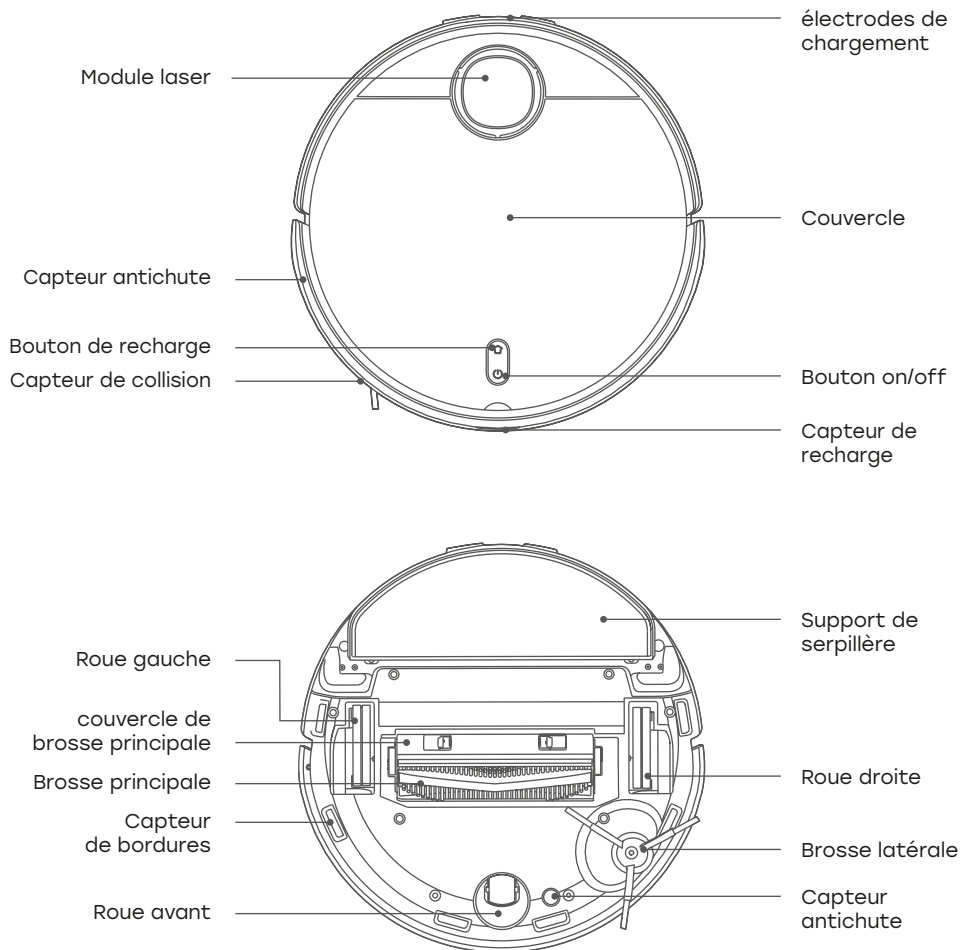
Câble d'alimentation



Brosse latérale (2x)

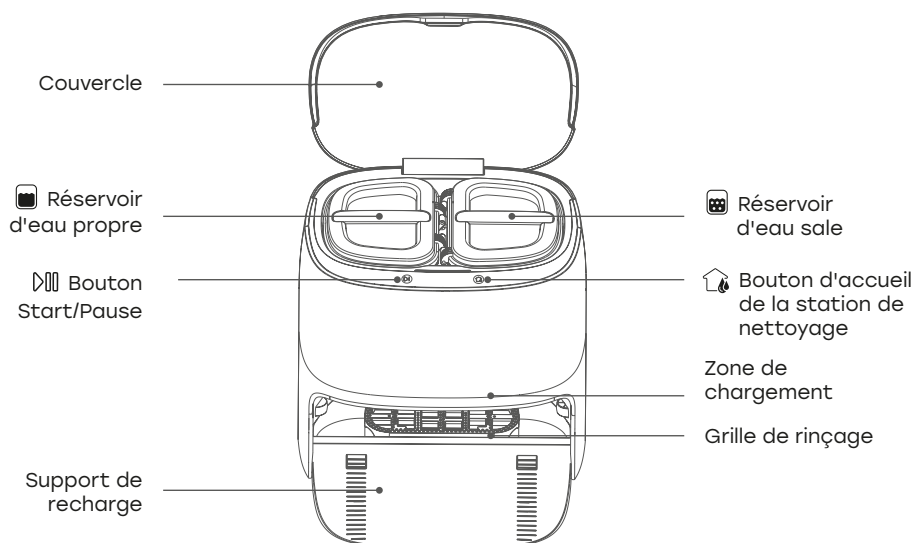
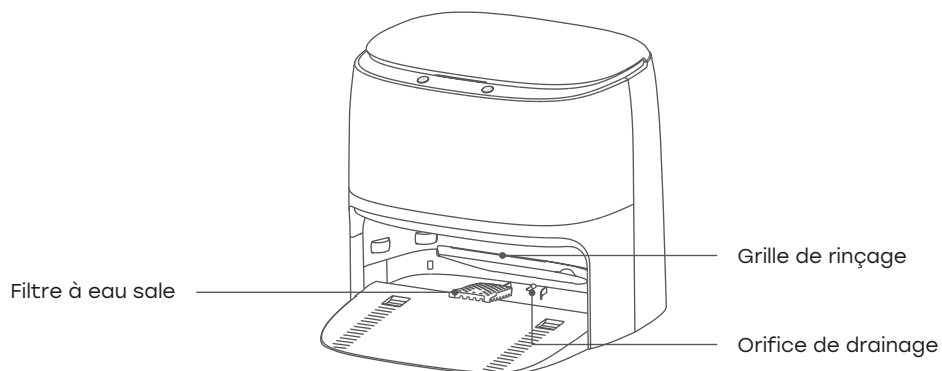
Aperçu du produit

Robot



Aperçu du produit

Station de nettoyage



Aperçu du produit

Statut du robot

Signal lumineux	Solution
La lumière blanche est toujours allumée	Le robot est normal
Lumière blanche pulsée	Le robot est en train de charger
Lumière blanche clignote	Recharge du robot / mise à niveau du firmware
La lumière jaune est toujours allumée	Robot Wi-Fi est offline
Lumière jaune clignote	Erreur de robot
La lumière du robot est éteinte	Le robot est éteint

Statut de la station de nettoyage

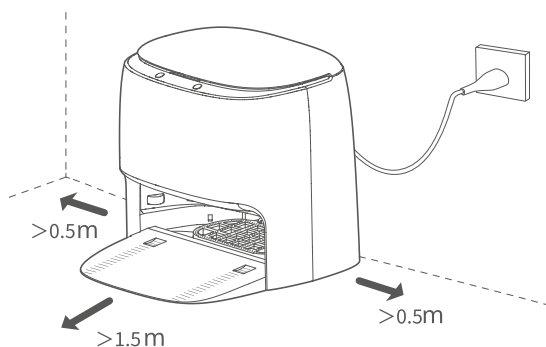
Signal lumineux	Solution
La lumière blanche est toujours allumée	La station de nettoyage est normale
Lumière blanche pulsée	Le robot nettoie
Lumière blanche clignote	Erreur de la station de nettoyage

Mode d'emploi

Station de nettoyage

1. Installation

Placez la station de charge contre le mur et insérez le câble d'alimentation.



Note

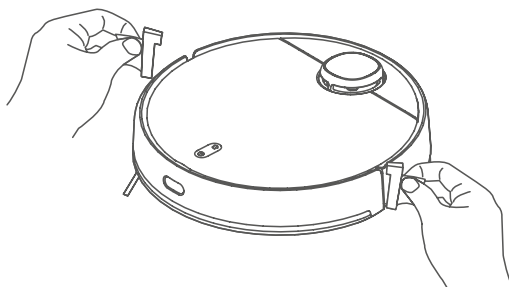
1. Ne placez pas la station de nettoyage en plein soleil.
2. Veuillez prévoir un espace d'au moins 0,5 m sur les côtés gauche et droit de la station de nettoyage, et un espace d'au moins 1,5 m devant celle-ci, comme indiqué.
3. Faites attention au câble d'alimentation, sinon il risque d'être traîné par le robot, entraînant le déplacement ou la mise hors tension de la station de nettoyage.
4. Le réservoir d'eau propre, le réservoir d'eau sale et la plaque de rinçage doivent être installés en place.

Mode d'emploi

Station de nettoyage

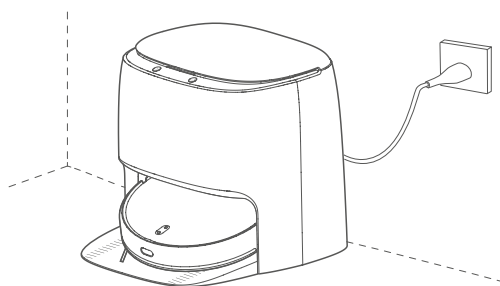
2. Retirez les barres anticollisions

Avant toute utilisation, veuillez à retirer les barres anticollisions des deux côtés du robot.



3. Mise sous tension et charge

Lors de la première utilisation, veuillez placer le robot vers les contacts de charge de la station de nettoyage pour le charger. Lors d'une utilisation quotidienne, appuyez directement sur le bouton d'accueil de la station de nettoyage pour lancer la charge.



Mode d'emploi

Station de nettoyage

Bouton de démarrage/pause

1. En mode veille, appuyez sur le bouton pour lancer le nettoyage.
2. Pendant le nettoyage, appuyez pour mettre le nettoyage en pause.
3. Appuyez sur cette touche pour arrêter la recharge.



Bouton home de la station de nettoyage

1. Lorsque le robot se trouve dans la station de nettoyage, appuyez brièvement sur la touche pour démarrer/suspendre le rinçage.
2. Lorsque le robot est en fonctionnement, appuyez sur cette touche pour retourner à la station de nettoyage et le recharger.
3. Robot en station en stand-by appuyez longuement pour démarrer/arrêter le séchage.

Note

1. Le robot démarre automatiquement après s'être connecté à la station de nettoyage et ne peut pas être arrêté pendant la charge.
2. Le réservoir d'eau propre, le réservoir d'eau sale et la grille de rinçage doivent être installés en place..

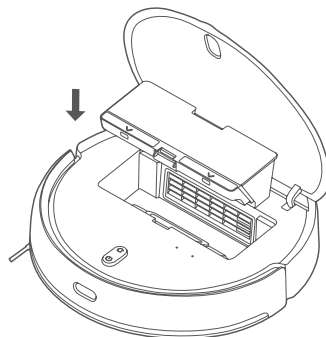
Mode d'emploi

Installation du bac de récupération

Ouvrez le couvercle supérieur au niveau de l'ouverture, placez le bac de récupération dans le robot et assurez-vous que le loquet est bien fixé.

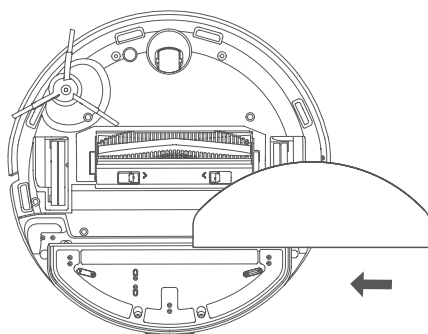
Note

Nettoyez régulièrement le bac de récupération pour maintenir une performance de nettoyage optimale.



Installation d'un réservoir d'eau propre et de la serpillière

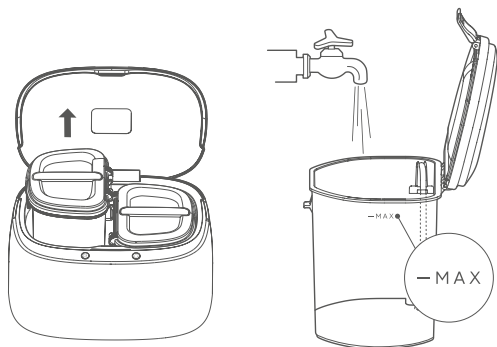
1. Comme ci-dessus, insérez la serpillière par le côté ouvert de la plaque de serpillière. Appuyez fermement sur la serpillière.



Mode d'emploi

Installation d'un réservoir d'eau propre et de la serpillère

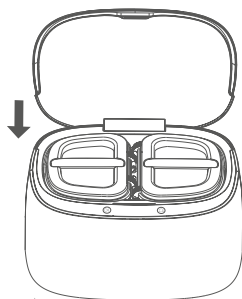
- Sortez le réservoir d'eau propre et ajoutez de l'eau du robinet en dessous du niveau d'eau maximum comme indiqué.



Note

Veillez vérifier régulièrement le réservoir d'eau sale. S'il est plein, videz-le.

- Installez le réservoir d'eau propre et le réservoir d'eau sale dans la station de nettoyage et fermez le couvercle.



Note

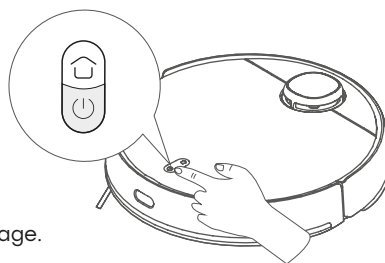
- N'utilisez pas d'eau stérilisée ou de détergents.
- N'utilisez pas d'eau chaude dans le réservoir d'eau propre.
- Veillez nettoyer régulièrement tout excès d'eau dans la station de nettoyage.

Mode d'emploi

Opération

1. Mise sous tension / hors tension - on / off

Appuyez sur le "⏻" et maintenez-le enfoncé jusqu'à ce que le robot s'allume ou s'éteigne.



2. Pour commencer le nettoyage

Appuyez sur "⏻" pour commencer le nettoyage.

3. Pause

Lorsque le robot est en marche, appuyez sur le bouton "⏻" pour mettre le nettoyage en pause ou le poursuivre.

4. Carte mémoire

Le robot enregistre automatiquement une carte sur votre APP après avoir effectué un nettoyage et être retourné à la base pour se recharger. Avec cette carte, vous pouvez créer des zones, nommer des pièces et bien plus encore.

5. Mode serpillère vibrante

Le mode de serpillère vibrante est activé par défaut dans l'APP. Ce mode permet d'obtenir de meilleures performances de nettoyage.

6. Sélection du mode / niveau

Dans l'APP, il est possible de sélectionner différents modes de nettoyage et niveaux de puissance.

7. Recharge du robot

Une fois le nettoyage terminé, le robot se recharge automatiquement, et détermine s'il faut nettoyer la serpillière en fonction du mode de nettoyage.

Si le robot est à l'extérieur de la station, appuyez sur le bouton "⏪" du robot pour commencer la recharge.

Mode d'emploi

Opération

8. Remplir et vider les réservoirs d'eau, le cas échéant

Veillez remplir le réservoir d'eau propre avec de l'eau du robinet avant de démarrer le robot. Veillez vider régulièrement le réservoir d'eau sale.

Note

N'utilisez pas de produits de nettoyage tels que des détergents, des désinfectants et des détergents solides pour éviter la corrosion et l'endommagement de l'équipement.

9. Nettoyage programmé

Depuis l'APP, vous pouvez configurer un programme de nettoyage afin que le robot nettoie automatiquement à certains jours et certaines heures.

Note

Le nettoyage programmé ne sera pas effectué pendant la période où le mode de non-dérangement est activé depuis l'APP.

10. Recharge de l'équipement

Pendant le fonctionnement, le robot retourne automatiquement à la station de nettoyage pour nettoyer régulièrement la serpillière. Une fois le rinçage terminé, le robot revient automatiquement à l'endroit où il s'est arrêté pour continuer le nettoyage.

Pendant que le robot nettoie, appuyez brièvement sur le bouton "🏠" de la station de nettoyage, et le robot retournera à la station de nettoyage et rincera la serpillière.

Pendant que le robot nettoie, appuyez brièvement sur le bouton "🏠" du robot, et le robot retournera à la station de nettoyage, rincera la serpillière, puis passera en mode veille.

En mode veille, appuyez brièvement sur le bouton "🏠" de la station de nettoyage pour rincer la serpillière. Après le nettoyage, le robot passe en mode veille.

Mode d'emploi

Opération

11. Mur virtuel / zones interdites

L'utilisateur peut définir des murs virtuels/des zones interdites au sein de l'APP pour le robot.

Note

1. Avant d'utiliser cette fonction, vous devez créer et sauvegarder une carte dans l'APP.
2. Le déplacement du robot ou les changements dans l'environnement intérieur peuvent entraîner une perte de la carte originale et de tout mur virtuel/zone interdite.

12. Reprise automatique

Ce produit dispose de la fonction de reprise automatique. Pendant le processus de nettoyage, lorsque l'alimentation est faible, le robot retourne automatiquement à la station de nettoyage pour se charger. Après la recharge, le robot reviendra au point où il s'est arrêté pour continuer le nettoyage. Si le nettoyage est interrompu manuellement ou si le robot est déplacé ou actionné pendant la recharge ou le chargement, cette reprise automatique sera annulée.

13. Nettoyage par défaut

Lorsqu'aucune carte n'est stockée, et si le nettoyage par défaut est choisi, le robot commence à nettoyer par intervalles de 6m×6m. Lorsqu'un plan est enregistré, et si le nettoyage par défaut est sélectionné, le robot commence à nettoyer chaque pièce le long de l'itinéraire prévu.

14. Mode de nettoyage des bords

Si vous choisissez le nettoyage des bords dans l'APP, le robot commencera automatiquement à nettoyer le long des bords de votre pièce.

Note

Pendant le nettoyage, le robot peut aller au-delà d'une zone définie, veuillez donc à supprimer tout obstacle sur le sol dans la zone définie, car la définition d'une zone quelconque ne garantit pas une séparation sûre.

Mode d'emploi

Opération

15. Nettoyage par points

Lorsque vous choisissez le mode de nettoyage par points dans l'APP, le robot nettoie la zone sélectionnée comme un carré de 2m x 2m.

16. Mode sans perturbation

Lorsque le mode sans perturbation est activé, le nettoyage programmé et les rapports vocaux actifs ne sont pas disponibles. Le mode sans perturbation est activé par défaut pendant la période de 23h00 à 9h00. Le mode sans perturbation peut être désactivé depuis l'APP.

17. Identification des tapis

Si un tapis est identifié pendant le fonctionnement, la fonction d'aspiration se met automatiquement en marche et la serpillère est soulevé. Cette fonction peut être désactivée en utilisant la fonction d'évitement des tapis dans l'APP. Le robot évitera alors automatiquement les tapis.

Note

Pour les tapis de sol pour enfants, les tapis de yoga, les tapis en éponge et les tapis à poils courts, il peut y avoir des erreurs d'appréciation, qui n'affecteront pas l'utilisation normale. Des murs virtuels / zones interdites peuvent être définis pour empêcher le robot de pénétrer dans des zones qui ne nécessitent pas de nettoyage.

18. Mode veille

Le robot se met automatiquement en mode veille lorsqu'il est laissé inactif pendant 5 minutes.

Note

Le robot ne se met pas automatiquement en mode veille sur la station de nettoyage.

Mode d'emploi

Opération

19. Réinitialisation du Wi-Fi

Lorsque votre routeur ou votre mot de passe d'accès Wi-Fi a été modifié, vous devez réinitialiser votre connexion Wi-Fi en maintenant enfoncées les deux touches " ⏻ " et " 🏠 " pendant 7 secondes lorsque le robot est allumé. La connexion Wi-Fi est réinitialisée avec succès lorsqu'un message vocal " Réinitialisation Wi-Fi et configuration réseau activée " est audible.

20. Réinitialisation du système

Appuyez sur le bouton de réinitialisation pendant 3s. Lorsque vous entendez le message "Réinitialisation réussie du système", le robot redémarre automatiquement et les paramètres pertinents, tels que le nettoyage programmé et le Wi-Fi, sont réinitialisés à l'état d'usine.

Appuyez sur le bouton de réinitialisation pendant 10s. Après avoir entendu "récupérer le système avec succès", le robot redémarre automatiquement, et les paramètres pertinents tels que le nettoyage programmé et le Wi-Fi sont remis à l'état d'usine, et le système est réinitialisé à la version précédente du firmware.

Note

Après la réinitialisation du système, le robot doit reconnecter l'APP, tous les paramètres précédents de l'APP sont effacés.

Téléchargement de l'APP

1. ZACO Home App

Scannez le code QR ci-dessous pour télécharger et installer l'APP.



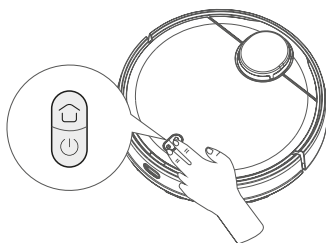
 ZACOHome APP



 ZACOHome APP

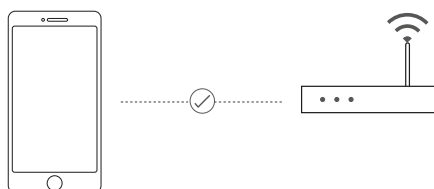
2. Configuration du réseau

Appuyez sur les boutons “ + ” pendant 7s pour accéder au mode de couplage avec le réseau.



3. Configuration du réseau

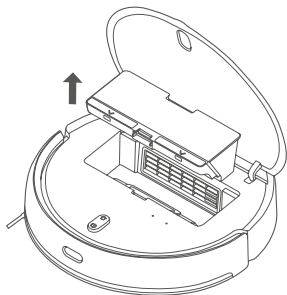
Vérifiez que votre nom Wi-Fi ne contient pas de caractères spéciaux.



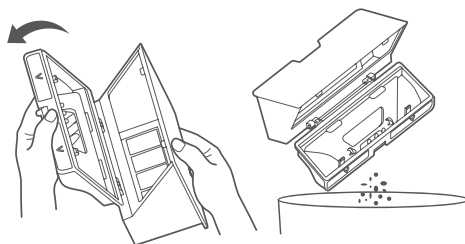
Maintenance

Cac à poussière

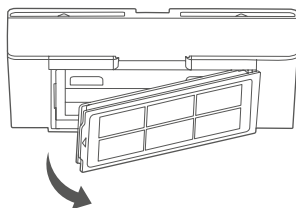
1. Ouvrez le couvercle du robot, appuyez sur le bouton de déverrouillage du bac à poussière et sortez le bac à poussière.



2. Ouvrez le couvercle du bac à poussière comme indiqué sur le schéma, et videz le bac.



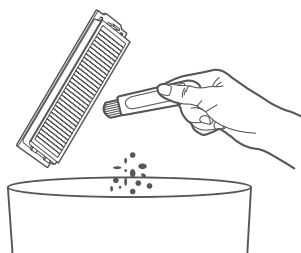
3. Retirez le filtre comme indiqué sur le schéma.



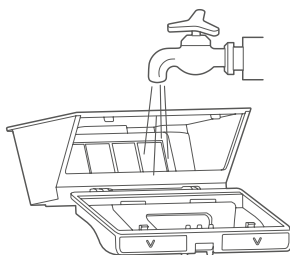
Maintenance

Cac à poussiere

4. Nettoyez-le à l'eau claire, séchez-le et remettez-le en place.



5. Nettoyez le bac à poussiere et le filtre avec la brosse de nettoyage.



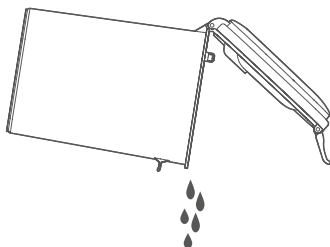
Note

Il est recommandé de nettoyer soigneusement le bac à poussiere au moins une fois par semaine. Veuillez sécher le bac à poussiere et le filtre avant de l'utiliser.

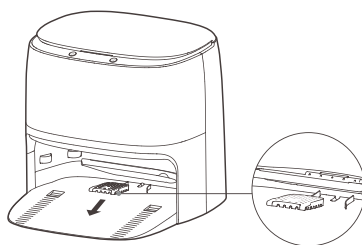
Maintenance

Réservoir d'eau sale

1. Sortez le réservoir d'eau sale et videz-le.



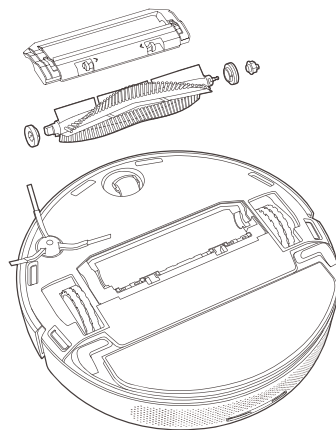
2. Soulevez la grille de rinçage et sortez le réservoir d'eau sale pour le nettoyer.



Maintenance

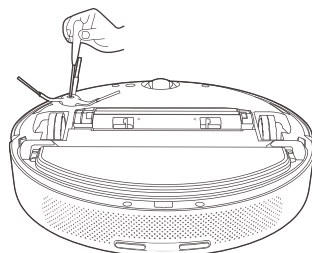
Brosse principale

- Retournez le robot et appuyez sur les deux boutons de déverrouillage pour retirer le couvercle de la brosse principale.
- Tirez la brosse principale vers le haut.
- Retirez les supports de la brosse principale aux deux extrémités de celle-ci.
- Pour nettoyer la brosse principale, coupez les poils enroulés sur la brosse avec l'outil de nettoyage et retirez-les.
- Assemblez les différentes parties de la brosse.



Brosse latérale

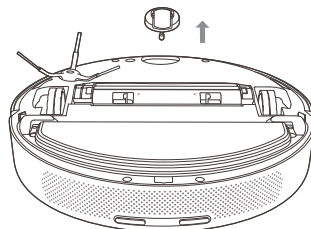
- Retournez le robot et retirez la vis de fixation de la brosse latérale.
- Retirez et nettoyez la brosse latérale.
- Remettez la brosse latérale en place et verrouillez la vis



Maintenance

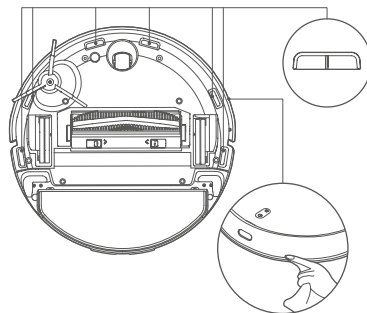
Roue avant

- Retournez le robot et tirez la roue avant vers le haut.
- Nettoyez puis réinstallez la roue avant.



Capteur de bordures

- Veuillez utiliser un chiffon doux et sec pour nettoyer régulièrement les capteurs de limites et les capteurs IR.



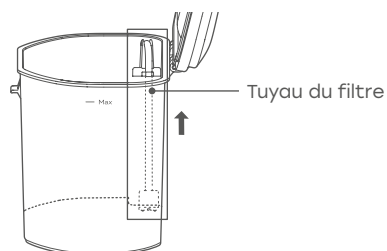
Note

N'utilisez pas de produits chimiques tels qu'un détergent ou un spray pour nettoyer les capteurs.

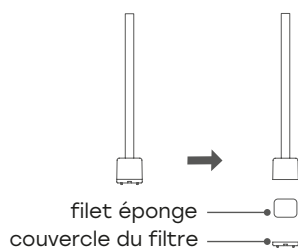
Maintenance

Tuyau de filtration du réservoir d'eau propre

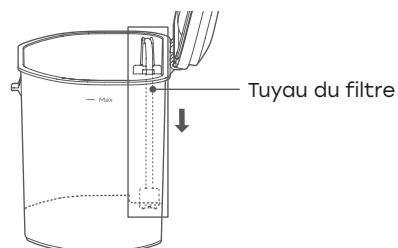
1. Retirez le tuyau du réservoir d'eau propre.



2. Ouvrez le couvercle du filtre et nettoyez le couvercle du filtre et le filet éponge.



3. Réinstallez le tuyau du filtre.



Dépannage

Message d'erreur	Solution
Impossible de mettre sous tension	La batterie est faible. Veuillez la charger avant de l'utiliser.
Le robot ne démarre pas le nettoyage	La batterie est faible. Veuillez la charger avant de l'utiliser.
Le robot ne peut pas revenir pour être rechargé.	<ol style="list-style-type: none"> 1. Trop de barrières autour de la station de nettoyage. Placez la station de nettoyage comme décrit précédemment. 2. Le robot est trop éloigné de la station de nettoyage. Placez le robot près de la station de nettoyage et réessayez.
Actions anormales du robot	Veuillez éteindre et redémarrer le robot.
Son anormal pendant nettoyage	Veuillez vérifier et nettoyer les parties extérieures de la brosse principale, de la brosse latérale, de la roue gauche/droite après avoir éteint le robot.
Les performances de nettoyage se détériorent ou la poussière s'accumule.	<ol style="list-style-type: none"> 1. Le bac à poussière est plein. Veuillez vider le bac. 2. Le filtre est bloqué. Veuillez nettoyer le filtre. 3. La brosse principale est bloquée. Veuillez nettoyer la brosse principale.
Le robot est offline	<ol style="list-style-type: none"> 1. Signal Wi-Fi faible. Assurez-vous que le robot est à portée du signal Wi-Fi et vérifiez les paramètres de votre réseau. 2. Réinitialisez la connexion Wi-Fi, téléchargez le dernier mise à jour de l'APP et réessayez.
Le robot ne parvient pas à effectuer la reprise automatique.	Assurez-vous que le mode sans perturbation n'est pas activé.
Le robot ne se charge pas	Assurez-vous qu'il y a un espace suffisant autour de la station de nettoyage, et qu'il n'y a pas de poussière ou de blocage sur la surface des électrodes de la station de nettoyage

Dépannage

Le robot n'effectue le nettoyage prévu	<ol style="list-style-type: none">1. Si le robot n'est pas connecté au Wi-Fi, les paramètres horaires ne peuvent pas être synchronisés et le nettoyage programmé ne peut pas commencer.2. Assurez-vous que le robot n'est pas en mode sans perturbation, sinon le nettoyage programmé sera désactivé.3. Assurez-vous que le robot n'est pas en mode verrouillage, sinon le nettoyage programmé sera désactivé.
Le robot est toujours offline.	Veillez-vous assurer que la configuration du réseau du robot est réussie et que le robot se trouve toujours à portée du signal Wi-Fi.
Le robot ne parvient pas à se connecter à l'APP	Assurez-vous que le robot et la station de nettoyage se trouvent dans une zone où le signal Wi-Fi est bon ; réinitialisez le Wi-Fi en suivant les étapes décrites ; puis réapparez.
Absence de nettoyage de la serpillière	<ol style="list-style-type: none">1. Vérifiez que le réservoir d'eau propre n'est pas vide. S'il est vide, veuillez le remplir.2. Si le réservoir d'eau propre est plein, veuillez vérifier le trou de drainage.3. Vérifiez que le réservoir d'eau sale n'est pas plein. Si c'est le cas, veuillez le vider.
Assurez-vous que le capteur laser n'est pas bloqué	Le capteur de distance laser est bloqué ou coincé. Retirez le blocage avec précaution.
Nettoyer le capteur de bordures et relocaliser le robot	<ol style="list-style-type: none">1. Le robot est instable ou ne repose pas sur le sol. Déplacez et redémarrez le robot.2. Le capteur de bordures est sale. Nettoyez le capteur.
Vérifiez le capteur de collision et retirez tout objet étranger qui s'y trouve.	Le capteur de collision est bloqué. Retirez le corps étranger en tapotant sur le capteur. S'il n'y a pas de corps étranger, redémarrez le robot.

Dépannage

Placez le robot sur un sol horizontal et démarrez-le.	Il est détecté que le robot ne se trouve pas sur une surface plane. Placez le robot sur une surface plane et démarrez-le, ou effectuez une mise à jour dans APP, puis redémarrez le robot.
Posez le robot au sol pour commencer	Les roues sont suspendues. Veuillez-vous déplacer vers une nouvelle position pour commencer.
Retirez tout obstacle autour du robot et réessayez	<ol style="list-style-type: none"> 1. Le robot peut être bloqué ou piégé. Retirez toute barrière autour de lui. 2. Remplacez le bac à poussière et le filtre et assurez-vous que les deux sont installés correctement.
Assurez-vous que le bac à poussière est bien fixé.	Vérifiez le bac et le filtre, et assurez-vous que les deux sont installés correctement.
Assurez-vous que le réservoir d'eau propre a été installé	Veillez réinstaller le réservoir d'eau propre et vous assurer qu'il est bien en place.
Veillez-vous assurer que le réservoir d'eau sale a été installé.	Veillez réinstaller le réservoir d'eau sale et vous assurer qu'il est bien en place.
Veillez-vous assurer que le filet d'évacuation des eaux usées a été installé.	Veillez nettoyer le tamis d'eau sale et vous assurer que le tamis est bien en place.
Le réservoir d'eau propre est vide. Veuillez ajouter de l'eau propre à temps.	Veillez vérifier et remplir le réservoir d'eau propre.
Le réservoir d'eau sale est plein. Veuillez le nettoyer à temps.	Veillez vider l'eau du réservoir d'eau sale et le nettoyer régulièrement.
Le réservoir d'eau sale est plein. Veuillez le nettoyer à temps.	Veillez vérifier et nettoyer le réservoir.
Veillez replacer le robot dans la station de nettoyage	Le robot ne peut pas localiser la position de la station de nettoyage. Veuillez replacer le robot dans la station de nettoyage pour le recharger.
Niveau de batterie faible. Veuillez charger le robot.	Le robot ne parvient pas à localiser la station de charge. Veuillez replacer manuellement le robot sur la station de nettoyage.

Spécifications du produit

M1S

Classification	Article	Détails
Spécifications mécaniques	Taille	353 x 353 x 96,5 mm
	Poids	4,1 kg
Spécifications électriques	Puissance	40 W
	Type de batterie	5200 mAh
	Type de chargeur	Chargement automatique
Spécifications de nettoyage	Mode de nettoyage	Spot, Edge, MAX, Programme quotidien
	Temps de charge	250-300 Min
	Temps de nettoyage	≈180 Min
Type de bouton du corps principal	-	Bouton mécanique
Connexion sans fil	-	Wi-Fi IEEE 802.11b/g/n 2.4 GHz Bluetooth 4.2, RF 433 MHz

Station de nettoyage

Classification	Article	Détails
Spécifications mécaniques	Taille	410 x 450 x 390 mm
	Connexion sans fil	RF 433 MHz
Spécifications électriques	Entrée nominale	00-240 V~ 50/60 Hz
	Sortie nominale	20 V 3.25 A
	Entrée de charge	45 W

Bande de fréquences

Bande de fréquences et puissance de sortie

Fréquence d'émission	2.4 ~ 2.4835 GHz
Fréquence de réception	2.4 ~ 2.4835 GHz
Gain de l'antenne	2.6 dBi
Puissance de sortie RF	802.11b 17+-2 dBm 802.11g 17+-1.5 dBm 802.11n 16+-1.5 dBm

Déclaration de conformité de l'UE

Robovox Distributions GmbH déclare par la présente que la radio **ZACO M1S** est conforme à la directive 2014/53/EU.

Le texte intégral de la déclaration de conformité de l'UE peut être consulté à l'adresse internet <https://conformity.zaco.eu/download/m1s.pdf>

Caro cliente,

Grazie per aver acquistato il robot aspirapolvere ZACO V6!
Ti sei unito a milioni di persone che puliscono con i robot... il modo più intelligente per farlo.

Prenditi qualche minuto per leggere questo manuale e familiarizzare con il tuo robot, per ottenere le migliori prestazioni da lui. Se hai qualche problema, non preoccuparti, puoi contattare il nostro servizio clienti prima o visitare il nostro sito web all'indirizzo www.zaco.eu per maggiori informazioni.

Cordiali saluti,
Servizio Clienti ZACO

Servizio Clienti ZACO

Numero del servizio clienti

00800-42377961 (Chiamata gratuita europea)

0209-513038-38 (Linea diretta - DE)

support@zaco.eu | www.zaco.eu

Robovox Distributions GmbH

Hamburger Straße 11 | 45889 Gelsenkirchen | Germany

Social Media

 [RobovoxZACO](#)  [zaco_robot](#)  [ZACO Robot](#)

Contenuti

Istruzioni di sicurezza	4
Istruzioni per l'uso	4
Implicazioni ambientali / Rimozione della batteria	6
Panoramica prodotto	8
Contenuto della scatola	8
Robot	9
Stazione di pulizia	10
Stato del robot / Stato della stazione di pulizia	11
Modalità di utilizzo	12
Stazione di pulizia	12
Installazione della vaschetta raccogli-polvere	15
Installazione del serbatoio dell'acqua pulita e del mocio	16
Funzionamento	17
Download dell'APP	22
Manutenzione	23
Vaschetta raccogli-polvere	23
Serbatoio dell'acqua sporca / vaglio dell'acqua sporca	25
Spazzola principale / Spazzola laterale	26
Ruota anteriore / Sensore perimetrale	27
Tube di filtrazione del serbatoio dell'acqua pulita	28
Risoluzione dei problemi	29
Specifiche del prodotto	32
Banda di frequenza / Dichiarazione di conformità UE	33

Istruzioni di sicurezza



AVVERTENZA!

Il sensore di navigazione contiene un laser rotante di classe 1 in conformità alla normativa IEC/EN 60825-1 durante tutti i processi di funzionamento.

- Non dirigere mai il laser verso altre persone.
- Non guardare mai direttamente il laser o il raggio riflesso.
- Spegnerne sempre il robot aspirapolvere durante tutte le attività di manutenzione.
- Eventuali modifiche (cambiamenti) o tentativi di riparare il robot aspirapolvere o il sensore di navigazione sono severamente vietati e possono comportare una pericolosa esposizione alle radiazioni e la perdita della garanzia.

Istruzioni per l'uso

1. Questo prodotto viene utilizzato unicamente per la pulizia dei pavimenti negli ambienti domestici e non dovrebbe essere utilizzato in ambienti esterni, non pavimentati, commerciali o industriali.
2. Questo prodotto non può essere utilizzato da persone con disabilità fisiche, sensoriali o intellettive e da persone prive di adeguata esperienza e conoscenza (inclusi i bambini), a meno che non sia presente un adulto per assicurarsi che tali persone possano utilizzarlo in sicurezza.
3. Non permettere ai bambini di utilizzare il robot come giocattolo. Quando il robot è in funzione, assicurarsi che i bambini e gli animali domestici stiano il più lontano possibile dal prodotto.
4. Se il cavo di alimentazione è rotto, deve essere sostituito dal produttore o dagli addetti alla manutenzione.
5. Non posizionare mai i bambini, gli animali domestici o eventuali oggetti sopra il robot.

Istruzioni di sicurezza

6. Non posizionare la spazzola per la pulizia in un'area in cui i bambini possono toccarla.
7. Non utilizzare la copertura del laser come impugnatura per sollevare il robot.
8. Non utilizzare il prodotto in un ambiente sospeso (quali pavimenti doppi, balconi aperti o parte superiore dei mobili) senza ringhiere o barriere di protezione.
9. Non utilizzarlo in un ambiente in cui la temperatura è superiore a 35°C, inferiore a 0°C o quando a terra sono presenti liquidi e oggetti appiccicosi.
10. Non utilizzare il robot per pulire oggetti in fiamme.
11. Prima dell'uso, rimuovere o sistemare tutti i cavi presenti sul pavimento per evitare che vengano trascinati durante il funzionamento.
12. Rimuovere dal pavimento oggetti fragili e articoli vari (ad esempio vasi, buste di plastica, ecc.) per evitare di danneggiare gli oggetti pregiati a causa di un'ostruzione o lievi collisioni durante il funzionamento.
13. Non utilizzare la modalità di pulizia ad umido sul tappeto. Quando si pulisce il pavimento, impostare muri virtuali o zone vietate intorno all'area del tappeto.
14. Non consentire al robot di aspirare oggetti duri o affilati (ad es. residui di decorazioni, vetri, chiodi, ecc.).
15. Pulire e mantenere il robot e la stazione di ricarica quando il dispositivo è spento.
16. Non posizionare il robot sul pavimento in modo capovolto.
17. Seguire il manuale del prodotto o la guida rapida per utilizzare il prodotto. In caso di perdite dovute ad un uso improprio, sarà l'utente a farsi carico delle relative conseguenze.
18. Prima di trasportarlo, assicurarsi che il robot sia spento.

Istruzioni di sicurezza

Istruzioni per l'uso

1. Non utilizzare batterie, cavi di alimentazione o stazioni di pulizia di terzi.
2. Non smontare, riparare o modificare la batteria o la stazione di pulizia.
3. Non strofinare o pulire i punti di ricarica della stazione di pulizia con panni umidi o mani umide.
4. Non posizionare la stazione di pulizia accanto a fonti di calore (come il termosifone).
5. Prima di disfarsi del robot, spegnerlo e rimuovere la batteria.
6. Se il prodotto deve essere riposto per un lungo periodo, ricaricarlo completamente e riporlo in un'area asciutta all'ombra.
7. Si raccomanda di ricaricarlo almeno una volta ogni 3 mesi per evitare danni alla batteria.

Implicazioni ambientali

Le sostanze chimiche contenute nella batteria agli ioni di litio integrata possono inquinare l'ambiente.

Prima di disfarsi del prodotto, rimuovere la batteria e smaltirla in modo attento e responsabile in conformità alle norme e ai regolamenti locali.

Rimozione della batteria

Le istruzioni riportate qui di seguito si applicano solo nel caso in cui il robot aspirapolvere venga riposto. Non si applicano alle attività di routine:

1. Utilizzare il robot finché la batteria non è troppo scarica per funzionare.
2. Spegnerlo.
3. Rimuovere il guscio inferiore del robot aspirapolvere.
4. Premere il fermaglio per estrarre la spina del connettore e rimuovere la batteria

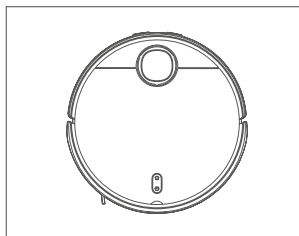
Istruzioni di sicurezza

Nota

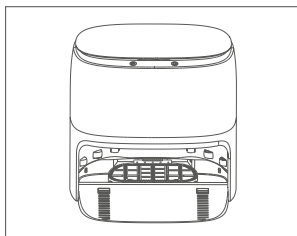
1. Rimuovere tutto il gruppo batteria nel suo insieme ed evitare di danneggiarne l'involucro in caso di cortocircuiti o pericolose fuoriuscite di sostanze.
2. Se la batteria presenta una perdita e l'utente vi viene accidentalmente esposto, sciacquare immediatamente con abbondante acqua e consultare un medico.

Panoramica prodotto

Contenuto della scatola



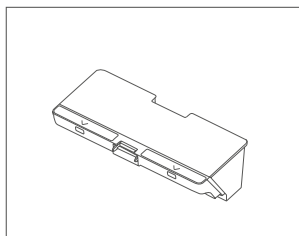
Robot



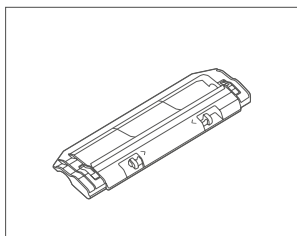
Stazione di pulizia



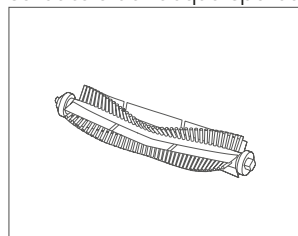
Serbatoio dell'acqua pulita /
serbatoio dell'acqua sporca



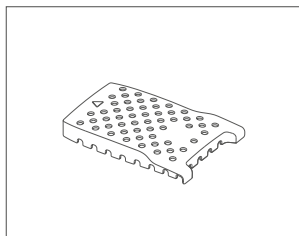
Vaschetta raccogli-polvere



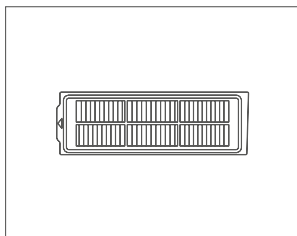
Copertura della spazzola
principale



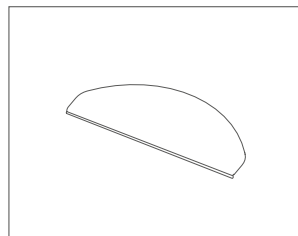
Spazzola principale



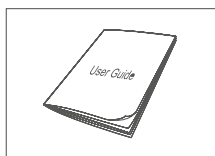
Vaglio acqua sporca



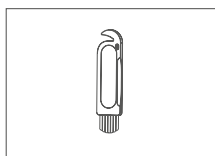
Vaglio filtro



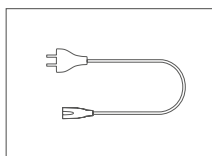
2x Mocio



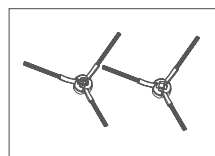
Manuale utente



Strumento per
la pulizia



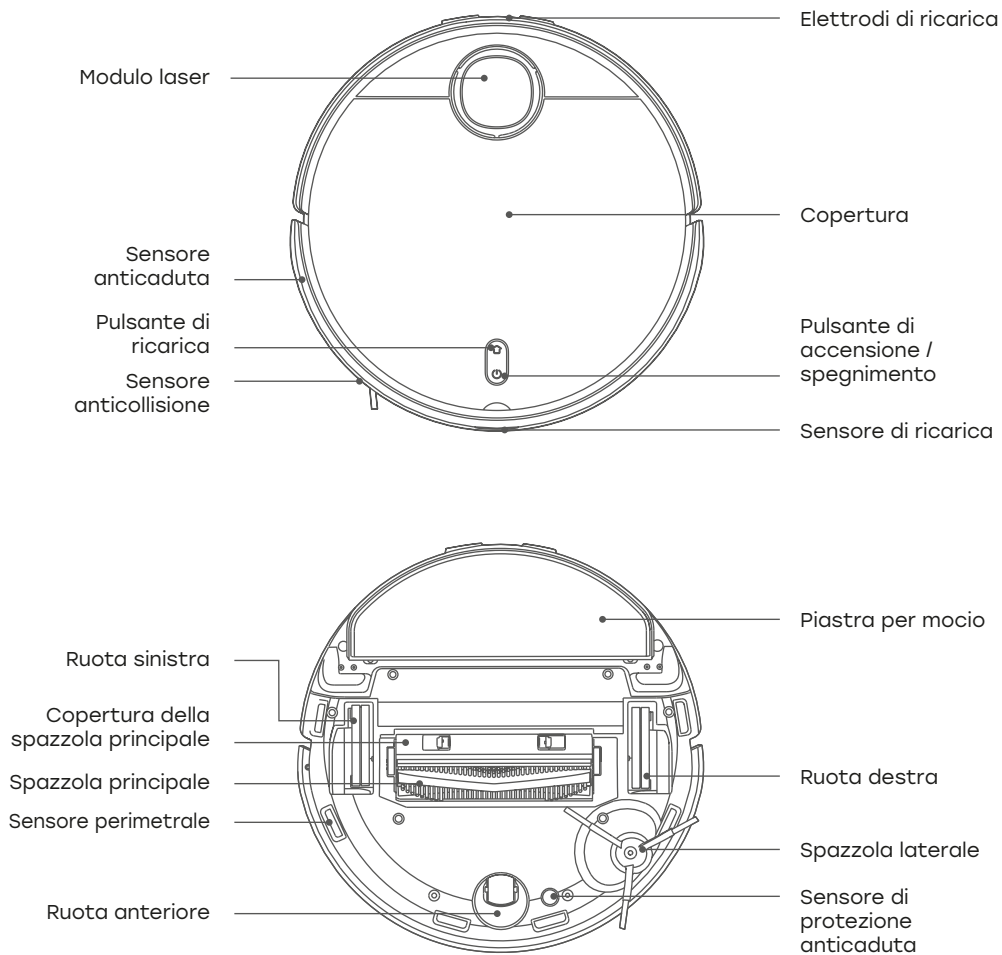
Cavo di
alimentazione



2x Spazzola
laterale

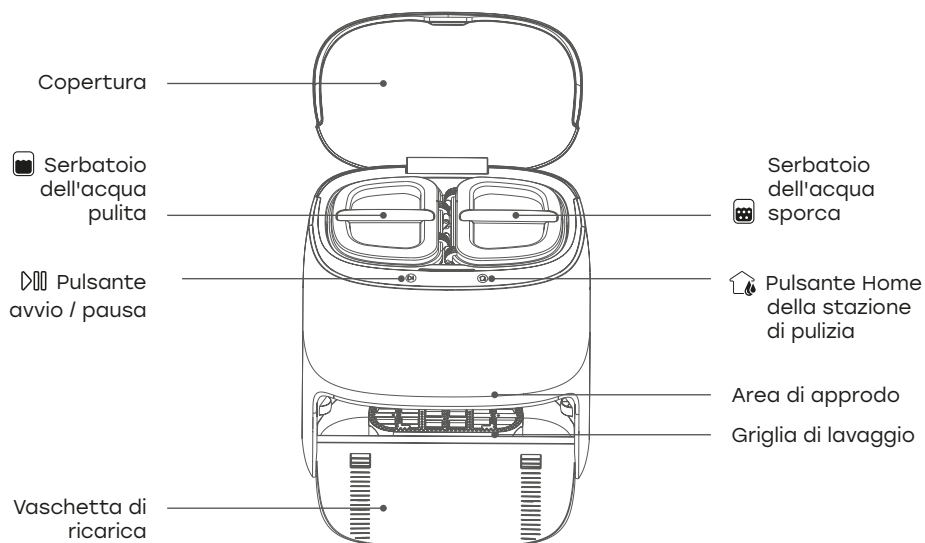
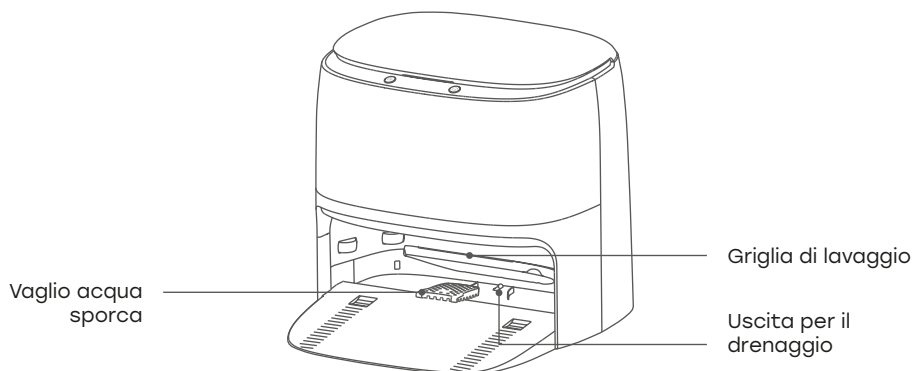
Panoramica prodotto

Robot



Panoramica prodotto

Stazione di pulizia



Panoramica prodotto

Stato del robot

Segnale luminoso	Soluzione
La luce bianca rimane sempre accesa	Il robot funziona normalmente
La luce bianca lampeggia	Il robot si sta ricaricando
La luce bianca lampeggia rapidamente	Robot in ricarica / firmware in aggiornamento
La luce gialla rimane sempre accesa	Il Wi-Fi del robot è offline
La luce gialla lampeggia rapidamente	Errore robot
La luce del robot è spenta	Il robot è spento

Stato della stazione di pulizia

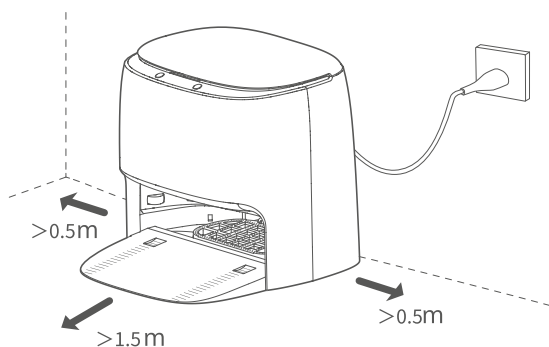
Segnale luminoso	Soluzione
La luce bianca rimane sempre accesa	La stazione di pulizia funziona normalmente
La luce bianca lampeggia	Il robot sta pulendo
La luce bianca lampeggia rapidamente	Errore stazione di pulizia

Modalità di utilizzo

Stazione di pulizia

1. Installazione

Posizionare la stazione di ricarica contro il muro e inserire il cavo di alimentazione.



Nota

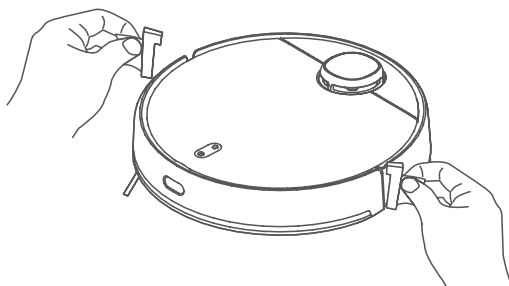
1. Non esporre la stazione di pulizia alla luce diretta del sole.
2. Assicurarsi che vi sia uno spazio di almeno 0,5 m sia sul lato sinistro che su quello destro della stazione di pulizia e uno spazio di almeno 1,5 m sulla parte anteriore come illustrato.
3. Prestare attenzione al cavo di alimentazione poiché potrebbe essere trascinato dal robot provocando lo spostamento o lo spegnimento della stazione di pulizia.
4. Il serbatoio dell'acqua pulita, il serbatoio dell'acqua sporca e la piastra di lavaggio devono essere installati.

Modalità di utilizzo

Stazione di pulizia

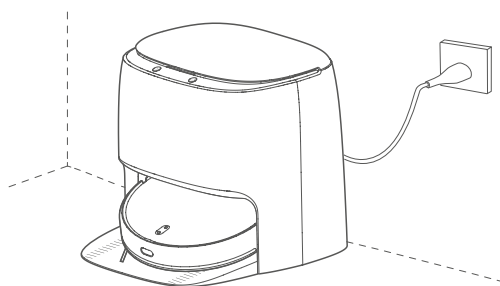
2. Rimuovere le protezioni anticollisione

Prima dell'uso, assicurarsi di rimuovere le protezioni anticollisione su entrambi i lati del robot.



3. Accensione e ricarica

Al primo utilizzo, posizionare il robot sui contatti di ricarica della stazione di pulizia per ricaricarlo. Nell'uso quotidiano, premere direttamente il pulsante Home della stazione di pulizia per avviare la ricarica.



Modalità di utilizzo

Stazione di pulizia

Pulsante avvio / pausa

1. In modalità stand-by, premere per avviare la pulizia.
2. Durante la pulizia, premere per sospendere la pulizia.
3. Premere per interrompere la ricarica.



Pulsante Home della stazione di pulizia

1. Quando il robot si trova nella stazione di pulizia, premere brevemente per avviare / sospendere il lavaggio.
2. Quando il robot è in funzione, premere per farlo tornare alla stazione di pulizia e ricaricarlo.
3. Se il robot si trova nella stazione o è in stand-by, premere a lungo per avviare / interrompere l'asciugatura ad aria.

Nota

1. Il robot si avvierà automaticamente dopo essere giunto alla stazione di pulizia e non può essere spento durante la ricarica.
2. Il serbatoio dell'acqua pulita, il serbatoio dell'acqua sporca e la piastra di risciacquo devono essere installati in posizione.

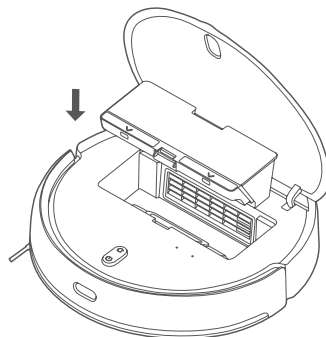
Modalità di utilizzo

Installazione della vaschetta raccogli polvere

All'apertura, aprire il coperchio superiore, inserire la vaschetta raccogli polvere nel robot e assicurarsi che la chiusura sia bloccata.

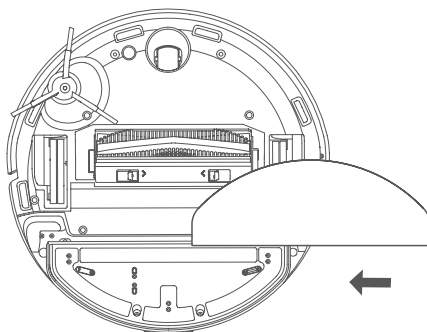
Nota

Pulire periodicamente la vaschetta raccogli polvere per mantenere le massime prestazioni di pulizia.



Installazione del serbatoio dell'acqua pulita e del mocio

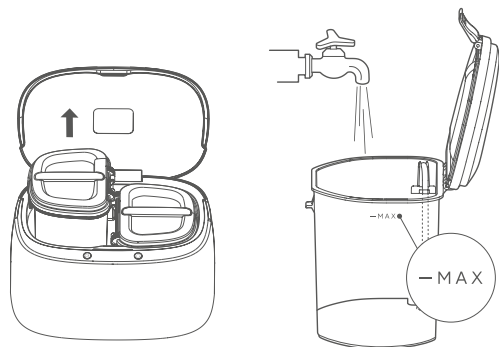
1. Come indicato sopra, inserire il panno del mocio dal lato aperto della piastra del mocio. Premere bene il mocio verso il basso.



Modalità di utilizzo

Installazione del serbatoio dell'acqua pulita e del mocio

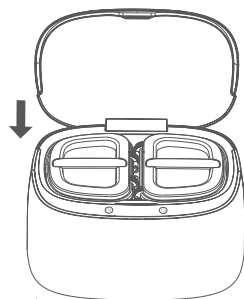
2. Estrarre il serbatoio dell'acqua pulita e versare dall'interno acqua del rubinetto al di sotto del livello massimo dell'acqua come illustrato.



Nota

Controllare periodicamente il serbatoio dell'acqua sporca. Se pieno, svuotarlo.

3. Installare il serbatoio dell'acqua pulita e il serbatoio dell'acqua sporca nella stazione di pulizia e chiudere il coperchio.



Nota

1. Non utilizzare acqua sterilizzata o detersivi.
2. Non utilizzare acqua calda nel serbatoio dell'acqua pulita.
3. Rimuovere periodicamente eventuale acqua in eccesso nella stazione di pulizia.

Modalità di utilizzo

Funzionamento

1. Accensione / spegnimento

Premere e tenere premuto " ⏻ " finché il robot non si accende o si spegne.

2. Per avviare la pulizia

Premere " ⏻ " per avviare la pulizia.

3. Pausa

Quando il robot è in funzione, premere il pulsante " ⏻ " per sospendere o continuare la pulizia.

4. Memorizzazione mappa

Il robot salverà automaticamente una mappa nella propria APP dopo aver completato con successo un ciclo di pulizia ed essere tornato alla base per la ricarica. Con questa mappa è possibile creare zone, assegnare un nome alle camere e molto altro ancora.

5. Modalità pulizia ad umido con vibrazione

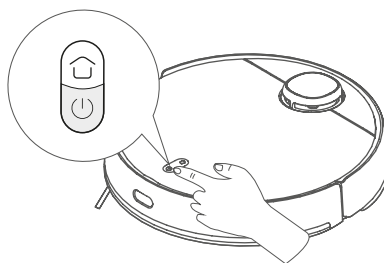
La modalità di pulizia ad umido con vibrazione viene attivata di default nell'APP. Questa modalità fornirà una maggiore prestazione di pulizia.

6. Selezione modello / livello

Nell'APP è possibile selezionare una serie di modalità di pulizia e livelli di potenza.

7. Ricarica robot

Dopo che il robot ha completato la pulizia, si ricaricherà automaticamente e valuterà se pulire il mocio in funzione della modalità di pulizia. Se il robot si trova fuori dalla stazione, premere il pulsante " 🏠 " del robot per avviare la ricarica.



Modalità di utilizzo

Funzionamento

8. Riempimento e svuotamento dei serbatoi dell'acqua quando applicabile

Riempire il serbatoio dell'acqua pulita con acqua di rubinetto prima di avviare il robot. Svuotare periodicamente il serbatoio dell'acqua sporca.

Nota

Non utilizzare prodotti per la pulizia quali detersivi, disinfettanti e detersivi solidi per evitare la corrosione ed eventuali danni al dispositivo.

9. Pulizia programmata

Dall'APP è possibile impostare un programma di pulizia in modo che il robot pulisca automaticamente in determinati giorni e orari.

Nota

La pulizia programmata non verrà eseguita durante l'orario in cui è stata attivata dall'APP la modalità "Non disturbare".

10. Ricarica del dispositivo

Durante il funzionamento, il robot tornerà in maniera automatica alla stazione di pulizia per pulire periodicamente il panno del mocio. Dopo aver completato il lavaggio, il robot tornerà automaticamente al punto in cui era rimasto per continuare la pulizia. Mentre il robot sta effettuando la pulizia, premendo brevemente il pulsante "🏠" della stazione di pulizia, il robot tornerà alla stazione di pulizia e laverà il panno del mocio. Mentre il robot sta effettuando la pulizia, premendo brevemente il pulsante "🏠" del robot, il robot tornerà alla stazione di pulizia, laverà il panno del mocio ed entrerà in modalità stand-by. Quando si trova in modalità stand-by, premere brevemente il pulsante "🏠" della stazione di pulizia per lavare il panno del mocio. Dopo aver effettuato la pulizia, il robot entrerà in modalità stand-by.

Modalità di utilizzo

Funzionamento

11. Muri virtuali / zone vietate

All'interno dell'APP, l'utente può definire per il robot muri virtuali / zone vietate.

Nota

1. Prima di utilizzare questa funzione, occorre creare e salvare una mappa nell'APP.
2. Spostare il robot o apportare modifiche dall'ambiente interno potrebbe provocare una perdita della mappa originale e degli eventuali muri virtuali / zone vietate.

12. Ripristino automatico

Questo prodotto è dotato della funzione di ripristino automatico. Durante il processo di pulizia, quando la batteria è scarica, il robot troverà automaticamente la stazione di pulizia per ricaricarsi. Dopo la ricarica, il robot tornerà al punto in cui era rimasto per continuare la pulizia. Se la pulizia viene interrotta manualmente o se il robot viene spostato o utilizzato durante la ricarica o la carica, tale funzione di ripristino automatico verrà annullata.

13. Pulizia di default

Quando non sono salvate mappe, scegliendo la pulizia di default, il robot inizierà la pulizia in intervalli di 6 m x 6 m. Una volta salvata una mappa, selezionando la pulizia di default, il robot inizierà a pulire ogni stanza lungo il percorso pianificato.

14. Modalità di pulizia Bordi

Scegliendo la pulizia dei bordi nell'APP, il robot inizierà automaticamente a pulire lungo i bordi della propria camera.

Nota

Durante la pulizia, il robot potrebbe oltrepassare un'area predefinita, assicurarsi quindi di rimuovere eventuali ostacoli sul pavimento all'interno dell'area predefinita in quanto la definizione dell'area non garantirà una separazione sicura.

Modalità di utilizzo

Funzionamento

15. Pulizia in modalità Zona

Scegliendo la pulizia in modalità Zona nell'APP, il robot pulirà la zona selezionata sotto forma di quadrato di 2 m x 2 m.

16. Modalità “Non disturbare”

Quando viene attivata la modalità “Non disturbare”, la pulizia programmata e il sistema di segnalazione vocale attivo non sono disponibili.

La modalità “Non disturbare” viene attivata di default dalle 23:00 alle 9:00.

La modalità “Non disturbare” può essere disattivata dall'APP.

17. Individuazione tappeti

Se viene individuato un tappeto durante il funzionamento, la funzione di aspirapolvere si accende automaticamente e il mocio viene sollevato. Questa funzione può essere spenta utilizzando la funzione di esclusione tappeti nell'APP. A questo punto, il robot escluderà automaticamente i tappeti.

Nota

Per i tappetini dei bambini, i tappetini per yoga, i tappetini in schiuma e i tappeti a pelo corto, potrebbero verificarsi errori di valutazione che non incidono sull'uso normale. Per impedire che il robot entri in aree che non necessitano della pulizia è possibile impostare muri virtuali / zone vietate.

18. Modalità stand-by

Il robot entrerà in modalità stand-by automaticamente dopo essere rimasto inattivo per 5 minuti.



Nota

Il robot non entra automaticamente in modalità stand-by nella stazione di pulizia.

Modalità di utilizzo

Funzionamento

Reset del Wi-Fi

Dopo aver modificato la propria password di accesso al router o al Wi-Fi, occorre resettare la propria connessione Wi-Fi premendo e tenendo premuto sia “” che “” per 7 secondi mentre il robot è acceso. La connessione Wi-Fi viene ripristinata con successo quando si sente il messaggio vocale “Wi-Fi resettato e configurazione rete attivata”.

19. Procedura per il reset

Premere il pulsante di reset per 3 s. Dopo aver udito il messaggio “resettare il sistema con successo”, il robot si riavvierà automaticamente e le impostazioni pertinenti, quali la pulizia programmata e il Wi-Fi, verranno resettate allo stato di fabbrica. Premere il pulsante di reset per 10 s. Dopo aver udito il messaggio “ripristinare il sistema con successo”, il robot si riavvierà automaticamente e le impostazioni pertinenti, quali la pulizia programmata e il Wi-Fi, verranno resettate allo stato di fabbrica e il sistema verrà resettato alla versione del firmware precedente.

Nota

Dopo aver resettato il sistema, il robot deve ricollegarsi all'APP, tutte le impostazioni precedenti nell'APP vengono cancellate.

Download dell'APP

1. ZACO Home App

1. Scansionare il codice QR qui sotto per scaricare e installare l'APP.





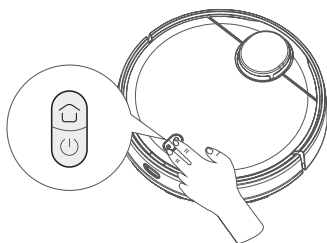
 ZACOHome APP



 ZACOHome APP

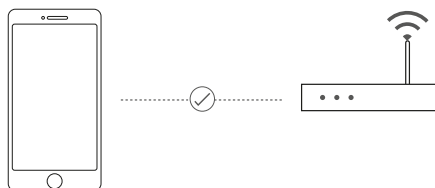
2. Configurazione della rete

Premere e tenere premuto i pulsanti "  " + "  " per 7 s per accedere alla modalità di accoppiamento con la rete.



3. Configurazione della rete

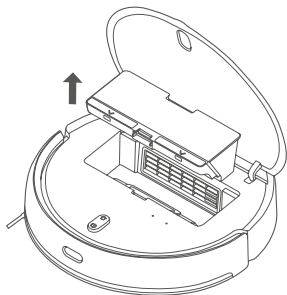
Verificare che il nome del Wi-Fi non contenga caratteri speciali.



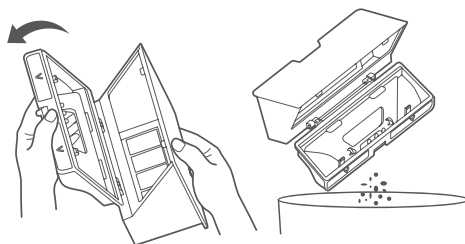
Manutenzione

Vaschetta raccogli-polvere

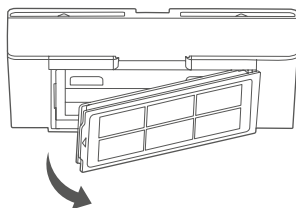
1. Aprire il coperchio del robot, premere il pulsante di sbloccaggio della vaschetta raccogli-polvere ed estrarre la vaschetta raccogli-polvere.



2. Aprire il coperchio della vaschetta raccogli-polvere come illustrato in figura e svuotarlo.



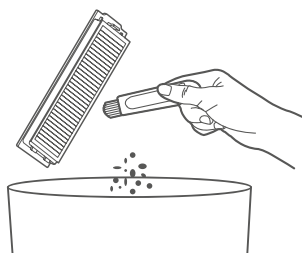
3. Estrarre il vaglio del filtro come illustrato in figura.



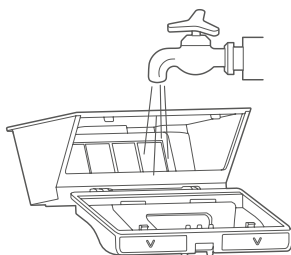
Manutenzione

Vaschetta raccogliipolvere

4. Pulire la vaschetta raccogliipolvere e il vaglio del filtro con la spazzola per la pulizia.



5. Pulirlo con acqua pulita, asciugarlo e riposizionarlo.



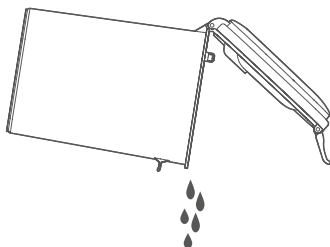
Nota

Si raccomanda di pulire accuratamente la vaschetta raccogliipolvere almeno una volta a settimana. Asciugare la vaschetta raccogliipolvere e il vaglio del filtro prima dell'uso.

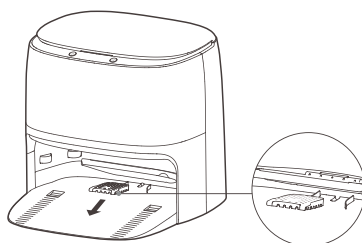
Manutenzione

Serbatoio dell'acqua sporca / vaglio dell'acqua sporca

1. Estrarre il serbatoio dell'acqua sporca e svuotarlo.



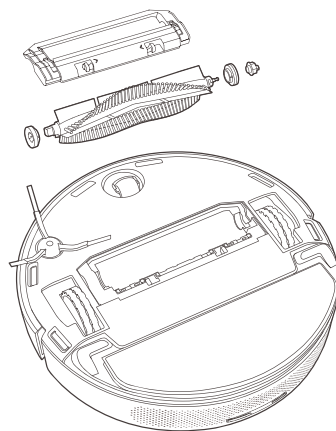
2. Sollevare la griglia di lavaggio ed estrarre il vaglio dell'acqua sporca per la pulizia.



Manutenzione

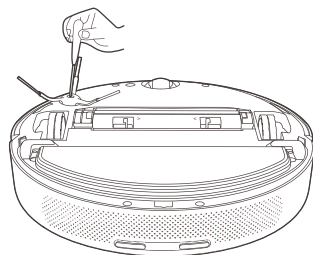
Spazzola principale

- Capovolgere il robot e premere i due pulsanti di sbloccaggio per rimuovere la copertura della spazzola principale.
- Tirare la spazzola principale verso l'alto.
- Rimuovere le staffe della spazzola principale su entrambe le estremità della spazzola principale.
- Per pulire la spazzola principale, tagliare i capelli avvolti sulla spazzola con lo strumento per la pulizia e rimuoverli.
- Assemblare le singole parti della spazzola.
- Riposizionare la spazzola principale e il coperchio della spazzola principale.



Spazzola laterale

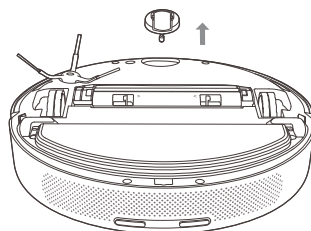
- Capovolgere il robot e rimuovere la vite di fissaggio della spazzola laterale.
- Rimuovere e pulire la spazzola laterale.
- Riposizionare la spazzola laterale e serrare la vite.



Manutenzione

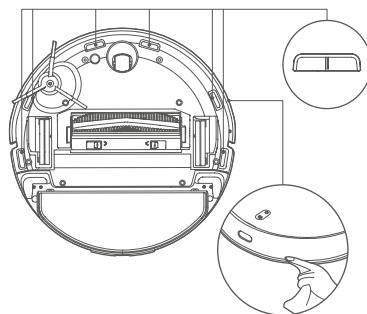
Ruota anteriore

- Ribaltare il robot e tirare verso l'alto la ruota anteriore.
- Pulire e reinstallare la ruota anteriore.



Sensore perimetrale

- Utilizzare un panno morbido e asciutto per pulire periodicamente i sensori perimetrali e i sensori IR.



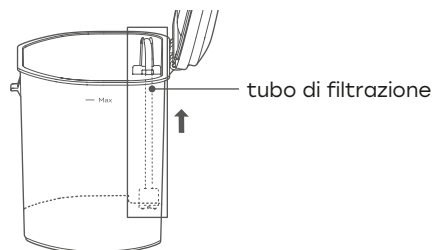
Nota

Non utilizzare sostanze chimiche quali detersivi o spray per pulire i sensori.

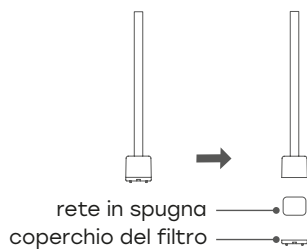
Manutenzione

Tubo di filtrazione del serbatoio dell'acqua pulita

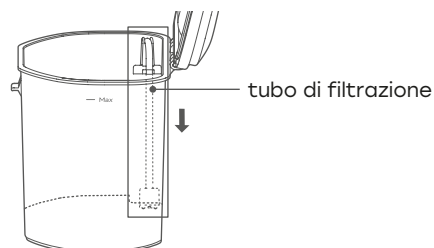
1. Estrarre il tubo di filtrazione nel serbatoio dell'acqua pulita.



2. Aprire il coperchio del filtro e pulire il coperchio del filtro e la rete in spugna.



3. Reinstallare il tubo di filtrazione.



Risoluzione dei problemi

Messaggio di errore	Soluzione
Impossibile accendere il dispositivo	La batteria è scarica. Caricarla prima dell'uso.
Il robot non riesce ad avviare la pulizia	La batteria è scarica. Caricarla prima dell'uso.
Il robot non riesce a tornare per effettuare la ricarica.	<ol style="list-style-type: none"> 1. Troppe barriere intorno alla stazione di pulizia. Posizionare la stazione di pulizia come descritto precedentemente. 2. Il robot è troppo lontano dalla stazione di pulizia. Posizionare il robot vicino alla stazione di pulizia e riprovare.
Il robot compie azioni anomale	Spegnere e riaccendere il robot.
Suono anomalo durante la pulizia	Controllare e pulire le parti esterne sulla spazzola principale, sulla spazzola laterale, sulla ruota sinistra / destra dopo aver spento il robot.
Le prestazioni di pulizia peggiorano o fuoriesce polvere.	<ol style="list-style-type: none"> 1. La vaschetta raccogli-polvere è piena. Svuotare la vaschetta. 2. Il taglio del filtro è bloccato. Pulire il taglio del filtro. 3. La spazzola principale è intasata. Pulire la spazzola principale.
Il robot è offline	<ol style="list-style-type: none"> 1. Segnale Wi-Fi debole. Assicurarsi che il robot si trovi nel campo di ricezione del segnale Wi-Fi e controllare le proprie impostazioni di rete. 2. Reimpostare la connessione Wi-Fi, scaricare la versione più recente dell'APP e riprovare.
Il robot non riesce ad effettuare il ripristino automatico	Assicurarsi che non sia stata attivata la modalità "Non disturbare".
Il robot non riesce a ricaricarsi	Assicurarsi che vi sia uno spazio sufficiente intorno alla stazione di pulizia e che non vi sia polvere o blocchi sulla superficie degli elettrodi della stazione di pulizia.

Risoluzione dei problemi

<p>Impossibile effettuare la pulizia programmata</p>	<ol style="list-style-type: none"> 1. Se il robot non è connesso al Wi-Fi, le impostazioni orarie non possono essere sincronizzate e la pulizia programmata non può avviarsi. 2. Assicurarsi che il robot non si trovi in modalità "Non disturbare", poiché in tal caso la pulizia programmata viene disattivata. 3. Assicurarsi che il robot non si trovi in modalità di blocco, poiché in tal caso la pulizia programmata viene disattivata.
<p>Il robot è sempre offline</p>	<p>Assicurarsi che la configurazione della rete del robot sia avvenuta correttamente e che il robot si trovi sempre nel campo di copertura del segnale Wi-Fi.</p>
<p>Il robot non riesce a collegarsi all'APP</p>	<p>Assicurarsi che il robot e la stazione di pulizia si trovino in un'area con un buon segnale Wi-Fi; resettare il Wi-Fi seguendo i passaggi descritti; dopodiché effettuare nuovamente l'accoppiamento.</p>
<p>Impossibile pulire il mocio</p>	<ol style="list-style-type: none"> 1. Verificare che il serbatoio dell'acqua pulita non sia vuoto. Se è vuoto, riempirlo. 2. Se il serbatoio dell'acqua pulita è pieno, controllare il foro di drenaggio. 3. Verificare che il serbatoio dell'acqua sporca non sia pieno. In tal caso svuotarlo.
<p>Assicurarsi che il sensore laser non sia bloccato</p>	<p>Il sensore di rilevamento laser è bloccato o incastrato. Rimuovere il blocco con attenzione.</p>
<p>Pulire il sensore perimetrale e riposizionare il robot</p>	<ol style="list-style-type: none"> 1. Il robot è instabile oppure non è a terra. Riposizionare e riavviare il robot. 2. Il sensore perimetrale è sporco. Pulire il sensore perimetrale.
<p>Controllare il sensore anticollisione e rimuovere eventuali oggetti estranei presenti su esso</p>	<p>Il sensore anticollisione è incastrato. Rimuovere eventuali oggetti estranei toccando il sensore. Se non vi sono oggetti estranei, riavviare il robot.</p>

Risoluzione dei problemi

Posizionare il robot su una superficie orizzontale e riavviarlo.	È stato rilevato che il robot non si trova su una superficie piana. Posizionare il robot non su una superficie piana e riavviarlo; oppure effettuare il livellamento nell'APP e riavviare il robot.
Posizionare il robot a terra per avviarlo	Le ruote sono sospese. Spostare il robot in una nuova posizione per avviarlo.
Rimuovere eventuali ostacoli intorno al robot e riprovare	<ol style="list-style-type: none"> 1. Il robot potrebbe essersi incastrato o essere intrappolato. Rimuovere eventuali barriere intorno ad esso. 2. Riposizionare la vaschetta raccogli-polvere e il vaglio del filtro e assicurarsi che entrambi siano installati correttamente.
Assicurarsi che la vaschetta raccogli-polvere sia installata correttamente	Controllare la vaschetta raccogli-polvere e il vaglio del filtro e assicurarsi che entrambi siano installati correttamente.
Assicurarsi che il serbatoio dell'acqua pulita sia stato installato	Reinstallare il serbatoio dell'acqua pulita e assicurarsi che sia in posizione.
Assicurarsi che il serbatoio dell'acqua sporca sia stato installato	Reinstallare il serbatoio dell'acqua sporca e assicurarsi che sia in posizione.
Assicurarsi che la rete dell'acqua di scarico sia stata installata	Pulire il vaglio dell'acqua sporca e assicurarsi che il vaglio sia in posizione.
Il serbatoio dell'acqua pulita è vuoto. Aggiungere tempestivamente acqua pulita.	Controllare e riempire il serbatoio dell'acqua pulita.
Il serbatoio dell'acqua sporca è pieno. Pulirlo tempestivamente	Svuotare l'acqua dal serbatoio dell'acqua sporca e pulirlo periodicamente.
Il serbatoio dell'acqua sporca è pieno. Pulirlo tempestivamente	Controllare e pulire il serbatoio.
Riposizionare il robot nella stazione di pulizia	Il robot non riesce ad individuare la posizione della stazione di pulizia. Riposizionare il robot nella stazione di pulizia per la ricarica.
Batteria scarica. Ricaricare il robot.	Il robot non riesce ad individuare la stazione di ricarica. Posizionare manualmente il robot nella stazione di pulizia.

Specifiche del prodotto

M1S

Classificazione	Articolo	Dettaglio
Specifiche meccaniche	Dimensioni	353 x 353 x 96,5 mm
	Peso	4,1 kg
Specifiche elettriche	Potenza	40 W
	Tipo di batteria	5200 mAh
	Tipo di ricarica	Ricarica automatica
Specifiche di pulizia	Modalità di pulizia	Zona, Bordi, MAX, Orario
	Tempo di ricarica	250-300 Min
	Tempo di pulizia	≈180 Min
Tipo di pulsante del corpo principale	-	Pulsante meccanico
Connessione wireless	-	Wi-Fi IEEE 802.11b/g/n 2.4 GHz Bluetooth 4.2, RF 433 MHz

Stazione di pulizia

Classificazione	Articolo	Dettaglio
Specifiche meccaniche	Dimensioni	410 x 450 x 390 mm
	Connessione wireless	RF 433 MHz
Specifiche elettriche	Ingresso nominale	00-240 V~ 50/60 Hz
	Uscita nominale	20 V 3.25 A
	Ingresso di ricarica	45 W

Banda di frequenza

Banda di frequenza e potenza di uscita

Frequenza TX	2.4 ~ 2.4835 GHz
Frequenza RX	2.4 ~ 2.4835 GHz
Guadagno dell'antenna	2.6 dBi
Potenza di uscita RF	802.11b 17+-2 dBm 802.11g 17+-1.5 dBm 802.11n 16+-1.5 dBm

Dichiarazione di conformità UE

Robovox Distributions GmbH dichiara che la radio **ZACO M1S** è conforme alla direttiva 2014/53/UE.

Il testo completo della dichiarazione di conformità UE può essere trovato all'indirizzo internet <https://conformity.zaco.eu/download/m1s.pdf>

ZACO