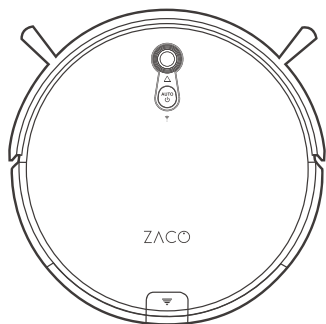


ZACO-A8s

Robotic vacuum cleaner

User Manual



English

Deutsch

Español

Français

Italiano

Português

For more details, please
visit www.zacorobot.eu

ZACO

Thank you for choosing ZACO A8s robotic vacuum cleaner! You've joined millions of people to get cleaning done robotically and intelligently.

This user manual helps you to keep your robot performing at its best. Please take a few moments to read through it.

You may also connect with us on Facebook and twitter to enjoy exclusive benefits:

- Get model-specific customer support, including Q&A, maintenance tips, demo videos, live chat and more;
- Get first-hand product updates including new product launch, exclusive discounts and special promotions.

You may find us on:

Facebook: facebook.com/zacorobotics

Twitter: twitter.com/ZACOROBOTICS

If you have any questions, please contact our customer service for assistance or visit www.zacrobot.eu for more information.

Enjoy automated home cleaning performed by ZACO A8s.
ZACO Innovation

ZACO Customer Service

Customer Service Number:
00800-42377961 (European Free Call)
0209-513038-383 (Direct Line DE)
Email: support@zacrobot.eu

Important Notes



A8s contains electronic parts. Do Not immerse the robot in water or spray it with water. Clean with a dry cloth only.

How to use

- Place the charging dock against a wall in an open area. Do not put it near a door or steps.
- Before cleaning begins, clear up excessive objects on the floor (e.g. cables, bar stools, etc.).
- Choose MAX mode to clean the areas with accumulated dust.

For best performance

- Remove the bristle brush. Clean the bristle and the axle twice a week. (Figure 1)
- Remove the front wheel with a screwdriver. Remove hair in the wheel cavity and axle twice a week. (Figure 2)
- Empty the dustbin and clean the filter and bristle brush after each use. Replace the filter every month.

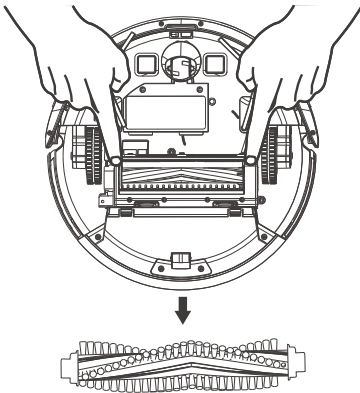


Figure 1

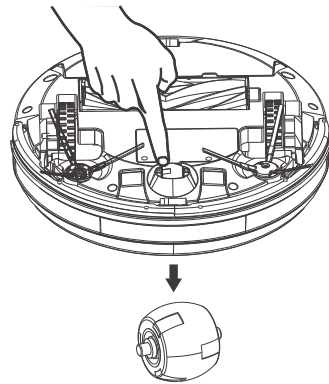


Figure 2

Table of Contents

Safety Instructions	4
Product Parts	6
Main body and accessories	6
Robot anatomy	7
Control panel	7
Charging dock	7
Dustbin	8
Water tank	8
Remote control	9
How to Use	11
Precautions	11
Quick operation	12
Cleaning modes	14
Schedule mode	17
Water tank	19
APP Download	20
Maintenance	21
Dustbin and filter	21
Water tank	22
Main brush and side brushes	23
Other components	23
Troubleshooting	25
CLEAN button signals	25
Troubleshooting	26
Product Specifications	28

Safety Instructions

Before using the robot, please read and follow the below safety instructions and precautions.

- Read this user manual carefully before using the robot.
- Retain this user manual.
- Any operation that is not described in this user manual may injure the users or cause product damage.

WARNING

1. Only certified technicians may disassemble the robot. Users must not disassemble or repair the robot.
2. Use factory authorized adapter only. Using nonspecific adapter may cause electric shock, fire or product damage.
3. Do not touch the power cord, plug or adapter with wet hands.
4. Do not allow clothes or any part of your body to be drawn into the robot's wheels.
5. Do not place the robot near cigarette, lighter, matches or other flammables.
6. Clean the robot after charging finishes.
7. Do not over-bend the power cord or pressure the power cord with heavy or sharp objects.
8. Do not use the robot outdoor.
9. Do not sit on the robot or attach any object on it.
10. Do not use the robot on wet floors.
11. Before using the robot, remove all fragile objects (textile, glass, lighting, etc) and objects that could be caught in the brushes or suction opening (cords, clothing, papers, drapes, etc).
12. Do not place the robot where it could easily fall off (tables, chairs, etc).
13. Turn off the power switch during transportation or when the robot will not be used for a long time.
14. To avoid battery damage, check if the adapter and electrical outlet are properly connected before using the robot.
15. To avoid tripping, make sure everyone in the house knows the robot is working.

Safety Instructions

16. Do not use the robot when the dustbin is full.
17. Use the robot in environment between -10°C and 50°C.
18. Do not place the robot in high-temperature environment.
19. Before scrapping the battery, remove it from the robot.
20. Disconnect electricity supply before removing the battery.
21. The battery is to be disposed of safety according to local regulations.

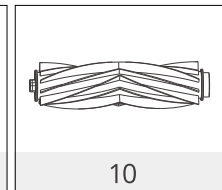
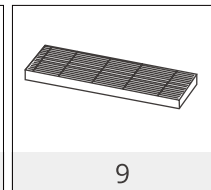
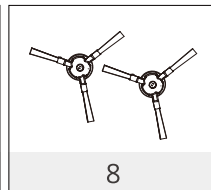
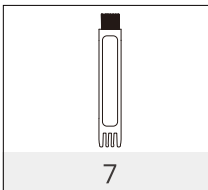
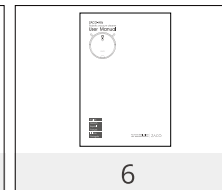
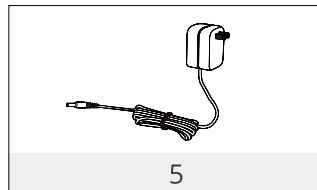
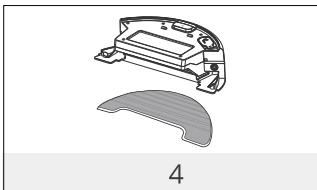
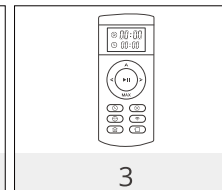
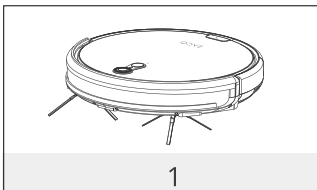


NOTE: This product should not be used by children, or people who lack related experience and knowledge (unless they are under proper supervision).

Product Parts

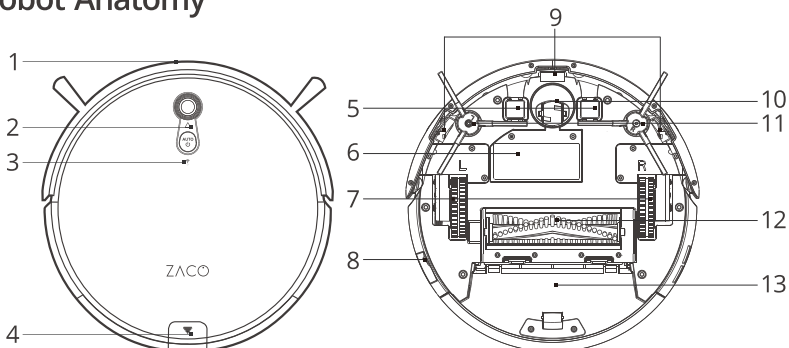
Main body and accessories

NO.	Description	Qty
1	Main Body	1
2	Charging Dock	1
3	Remote Control (battery not included)	1
4	Water Tank / Mop Cloth	1
5	Adapter	1
6	User Manual	1
7	Cleaning Tool	1
8	Extra Side Brushes	2
9	High Performance Filter	1
10	Extra Main Brush	1



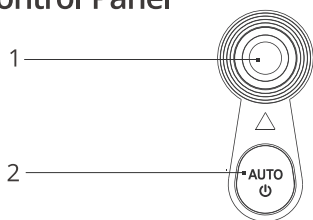
Product Parts


Robot Anatomy



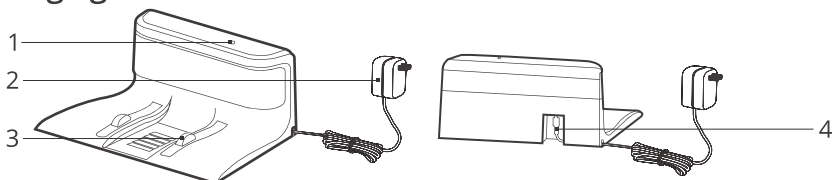
- | | | |
|---------------------------|------------------|------------------|
| 1. Bumper | 6. Battery cover | 10. Nose wheel |
| 2. Control panel | 7. Side wheels | 11. Side brushes |
| 3. WiFi Indicator | 8. Power switch | 12. Main brush |
| 4. Dustbin release button | 9. Cliff sensors | 13. Dustbin |
| 5. Charging pin | | |

Control Panel



- | |
|--|
| 1. Visual navigation sensor |
| 2.  Button (Start/Pause) |

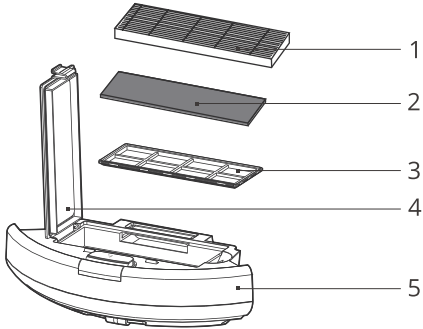
Charging Dock



- | | |
|-----------------|------------------------|
| 1. Signal Light | 3. Charging Pin |
| 2. Adapter | 4. Power Supply Socket |

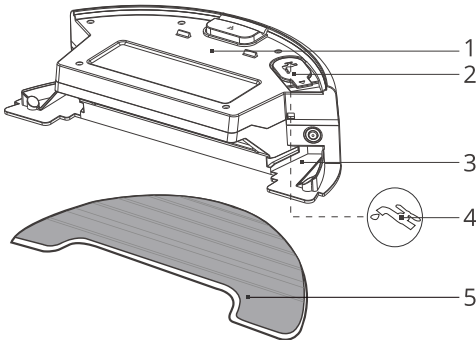
Product Parts

Dustbin



1. High performance filter
2. Sponge
3. Primary filter
4. Dustbin cover
5. Dustbin

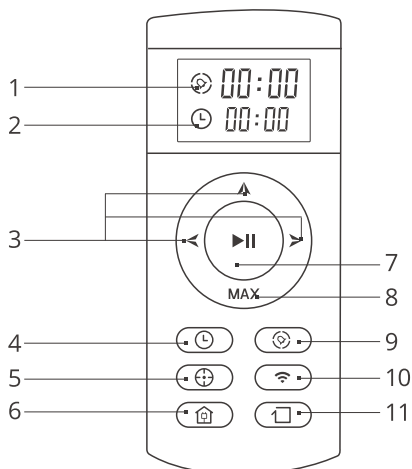
Water Tank



1. Water Tank
2. Water Inlet
3. Mop Bracket
4. Water Inlet Mark
5. Mopping Cloth

Product Parts

Remote Control



1. Schedule time
2. Local time
3. Direction buttons
4. Clock/Local time setting
5. Spot mode
6. Self-charge
7. Clean/Pause
8. MAX mode
- Decrease minute setting in schedule or clock mode
- Increase suction power for areas with accumulated dust
9. Plan/Schedule
10. WIFI Connection Button
11. Edge mode

1 "Clean/Pause"

- To start cleaning in selected mode.
- To stop current cleaning cycle.
- To change from sleep mode to selected mode.

2 Direction Buttons

A. "▲" Button:

- To increase minute and hour setting in schedule or clock mode.
- To move the robot forward in selected mode.
- To stop the robot when it hits against objects.

B. "MAX" Button:

- To decrease minute and hour setting in schedule or clock mode.
- To maximize vacuuming power.

C. "◀" Button:

- To change from minute to hour in schedule or clock mode.
- To turn the robot left.

D. "▶" Button:

- To change from minute to hour in schedule or clock mode.
- To turn the robot right.

Product Parts

③ "🕒" Plan/Schedule Button

- To enter schedule mode when robot is in selected mode.
- To confirm a scheduled cleaning.

④ "🕒" Clock/Local time setting Button

- To enter clock mode when robot is in selected mode.
- To confirm time setting.

⑤ "⊕" Spot Mode Button

To clean specific spots or areas.

⑥ "📶" WIFI Connection Button

Press and hold for 3 seconds to start WiFi pairing.

⑦ "🏠" Self-charge Button

To return the robot to charging dock.

⑧ "📏" Edge Mode Button

To clean along the edge of the walls.

⑨ "🕒 12:00" Local Time To display clock.

⑩ "🕒 12:00" Schedule Time To display scheduled cleaning time.

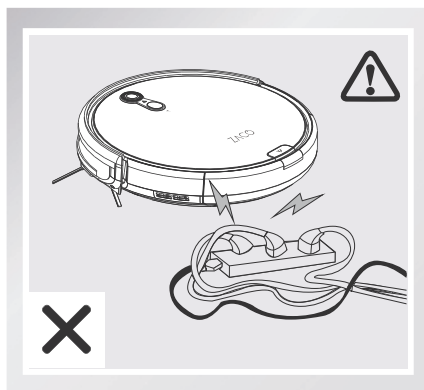
Note:

1. Place two AAA batteries into the remote control.
2. Remove batteries if the remote control will not be used for a long time.

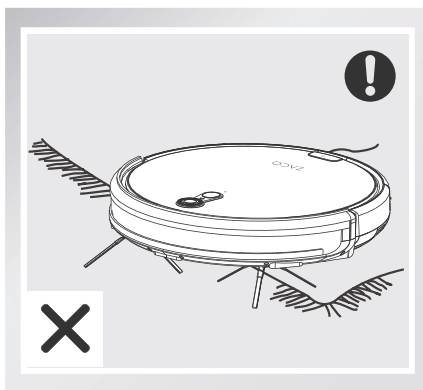
How to Use

1. Precautions

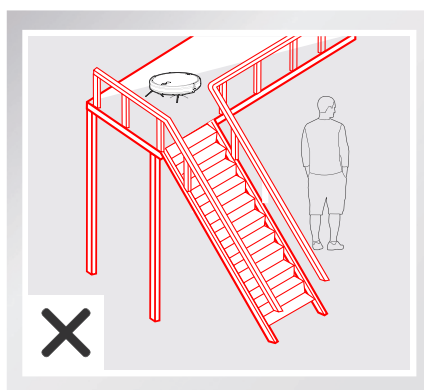
A8s may miss some complex details in a single scan. Use the robot more often and remove obstacles to help it get familiar with your home every time it scans its surroundings.



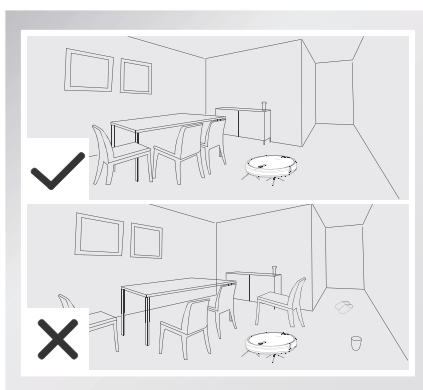
Before cleaning begins, remove objects scattered around the floor (e.g. power line) that may stumble the robot.



Do not use mopping function on carpet. If you have a carpet or rug, roll up the fringes.

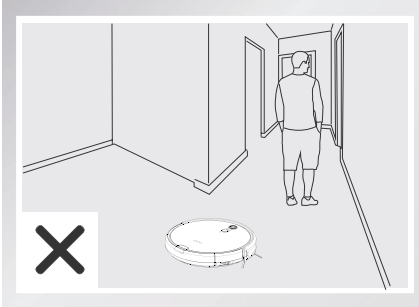


If the robot is cleaning the upper floor of a duplex or a raised platform, make sure no one stands near the stairs to avoid objects falling down the stairs.

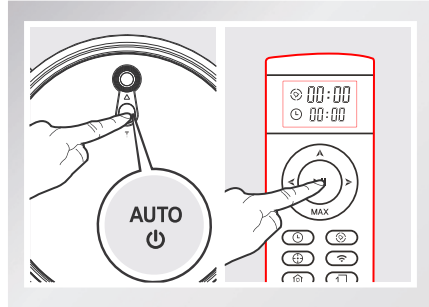


Put the furniture in place to avoid the robot getting stuck under them.

How to Use



To avoid missing any areas, do not put the robot in narrow spaces such as thresholds or passageways.

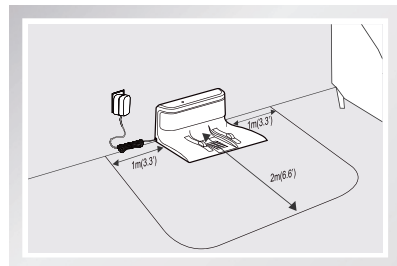
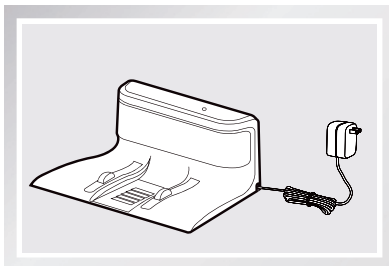


The robot will enter sleep mode after idling for 10 minutes. Press **AUTO** button on the robot or **▶||** button on the remote control to reactivate it.

2. Quick Operation

1 Charging

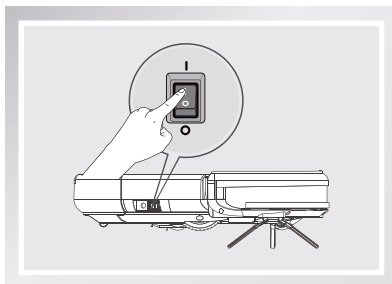
- Place the charging dock on the floor and plug in the adapter.
- Put the charging dock against a wall and remove obstacles about 1 meter on both sides and about 2 meters in front.
- Connect to power supply.



How to Use

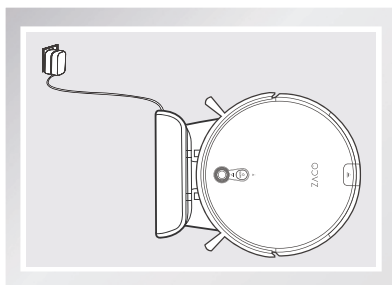
2 Turn on Power Switch

- Turn on the power switch on the side. "I" is to turn on the robot and "O" is to turn off.
- To get your robot ready to work anytime, always keep it fully charged by keeping the power switch on after each use.





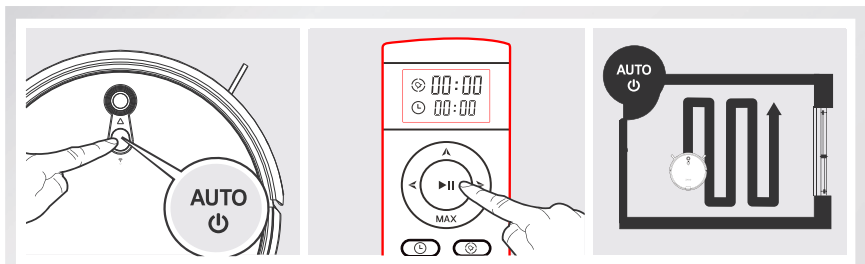
3 Always place the robot on the charging dock and make sure it aligns with the charging pins.




- Orange flashing light at AUTO button signifies charging is in progress. Charging is completed when the light turns solid green.
- Before first use, charge the robot for about 4 hours.



4 Start cleaning

- Tap  button on the robot or the  button on the remote control. The robot is in automatic cleaning mode when  button light turns solid green.


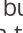


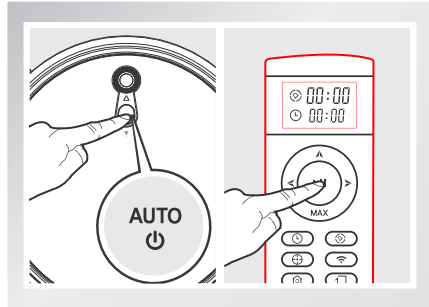
* When the robot is ready to work,  button will signal with flashing green lights. To reactivate the robot in sleep mode, tap  button on the robot or  button on the remote control.



* More details about different cleaning modes on next page.

How to Use

5 Pause a cleaning cycle






- To pause the current cleaning cycle, press  button on the robot or  button on the remote control.



- * The robot will automatically enter sleep mode if the cleaning cycle is paused for over 10 minutes. To reactivate robot in sleep mode, tap  button on the robot or  button on the remote control.
- * You can reset a new route or repeat the route that has covered while the robot is paused.

3. Cleaning modes

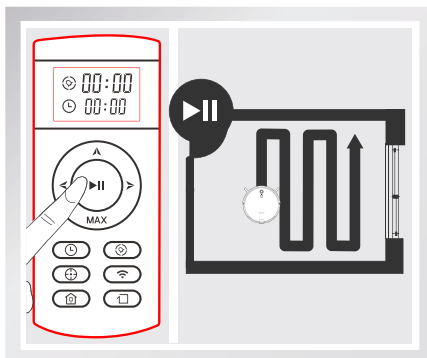
To meet different cleaning needs, A8s can clean your home in different modes. Use the remote control to choose the suitable cleaning modes.

- * When the robot is switched from  mode to another mode, and returns to  mode after specific tasks are completed, you can reset a new route or repeat the route that has been covered.
- * When the robot is ready to receive commands,  button will signal with a green flashing light.
- * To recover the robot from sleep mode, tap  button on the robot or  button on the remote control.

How to Use

1 AUTO mode

- Most commonly used and default cleaning mode. The robot cleans in a zigzag pattern, and continuously detects and approaches the areas it has missed.
- Do not pick up the robot or change its position with the remote control while it is cleaning. The robot needs to establish a new route if its current cleaning cycle is interrupted.

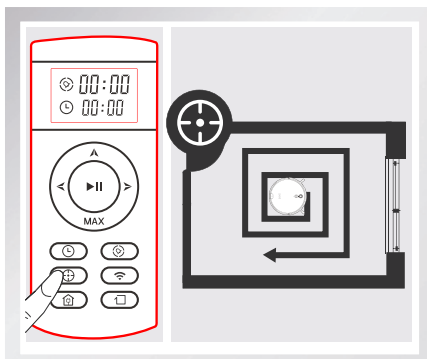


Note:

- * The robot can often work out the most efficient cleaning route on its own. Adjust its cleaning cycle only when you need to clean another area or repeat cleaning the areas that have been covered.
- * Do not interrupt the robot when it stops in the middle of a cleaning cycle. The pauses allow it to review its route or the areas need to be cleaned.

2 Spot mode

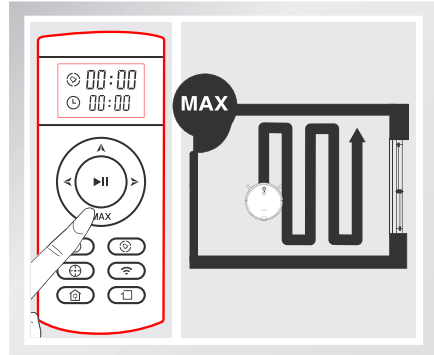
- Robot cleans around a circular route in a small designated area with high suction power. It will return to where it starts Spot cleaning after the task is completed.




How to Use

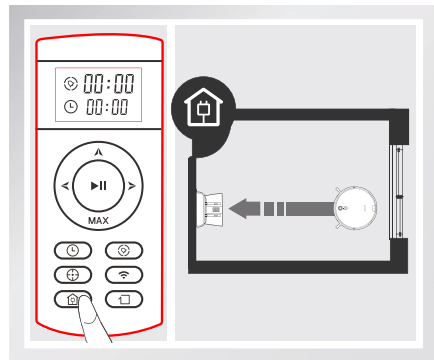
3 MAX mode

- MAX mode increases the suction power and is usually used to clean areas with concentrated dust.
- To return to normal suction power, press Max button twice.




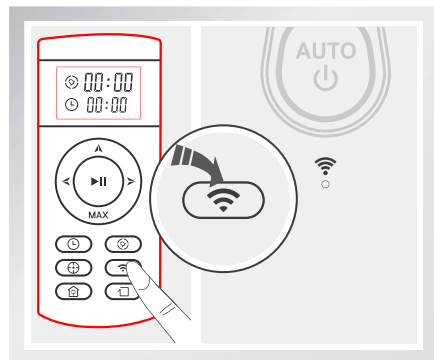
4 Self-charge mode

- When battery runs low, the robot automatically pauses the cleaning cycle and returns to charging dock for recharge.
- To return the robot to charging dock for recharge, press  button.



5 WiFi Connection Mode




- In select mode, press and hold  for 3 seconds to start WiFi pairing.



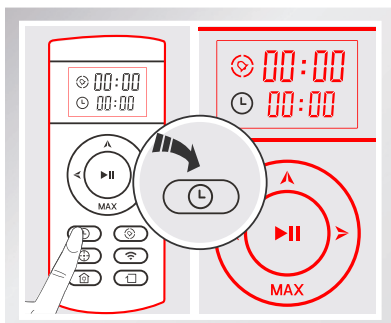
How to Use



4. Schedule mode

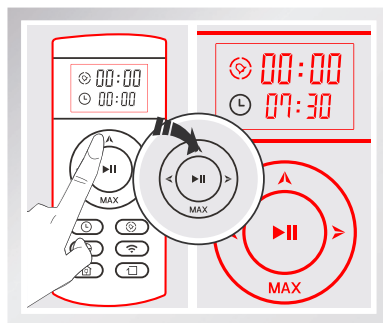
Set a daily routine to get your robot to clean your home automatically at a specific time.


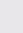

When setting a schedule, make sure there is a flashing green light at the  button. Otherwise tap  button on the robot or  button on the remote control to reactivate it.


1 Set local time in clock mode with the remote control.

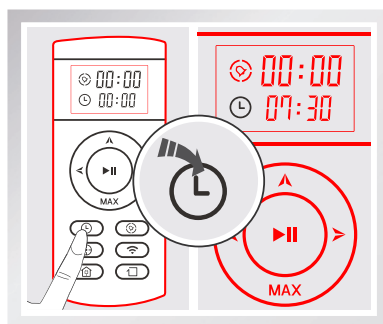


Tap  button,  image and flashing 00:00 will appear on the remote control display.



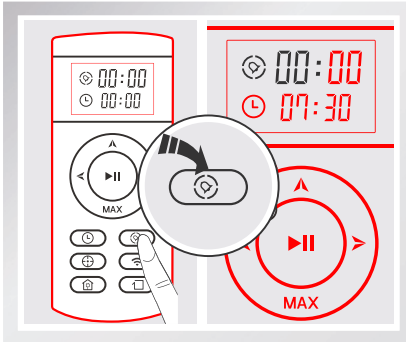
Adjust hour and minute with the  button. To switch from hour to minutes, use the   buttons.

After the time is set, press  button to save the setting. Successful setting will be confirmed by a beep.

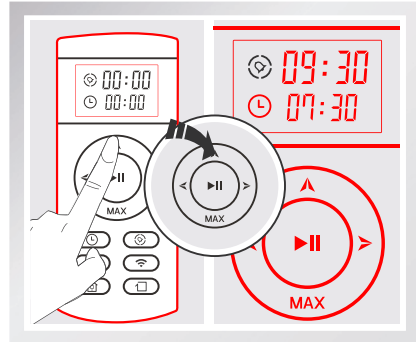


How to Use


2 Set a schedule

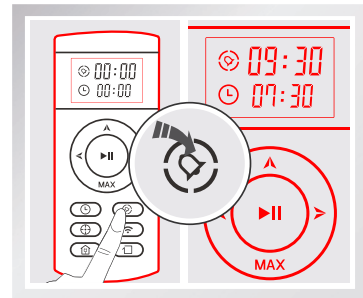


Press  button, flashing 00:00 will appear on the remote control display.



Use direction buttons to set your local time.

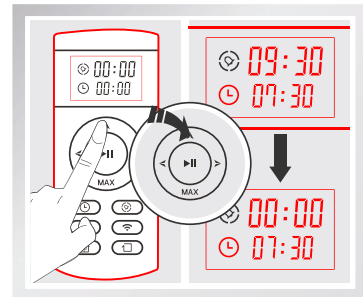
Press  button to save the schedule. Successful setting will be confirmed by a beep. Robot will automatically clean every day at the scheduled time.



3 Cancel a schedule

Adjust the scheduled to 00:00, or turn off the power switch off the robot.

- * Successful time and schedule settings are confirmed by a beep sound. If there is no sound confirmation, it means the settings are not saved.
- * Reset local time and schedule after replacing the batteries of the remote control.



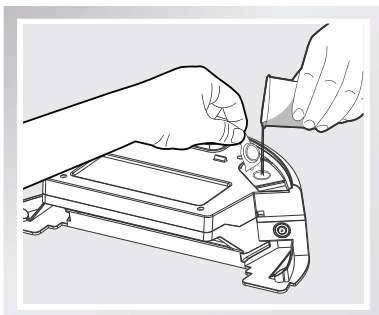
How to Use

Water Tank

This product contains water tank components. After sweeping and vacuuming, replace the dustbin with the water tank for mopping function.

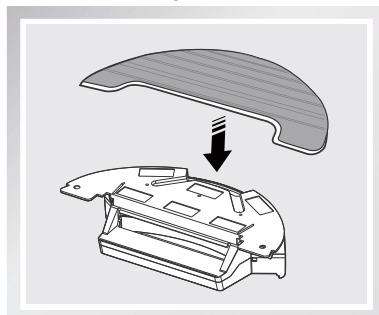
- * Do not use the water tank on carpet.
- * Make sure there is enough water for mopping during cleaning. Refill water when needed. Remove the water tank before a refill.
- * Remove the water tank before charging.

1 Water Refill



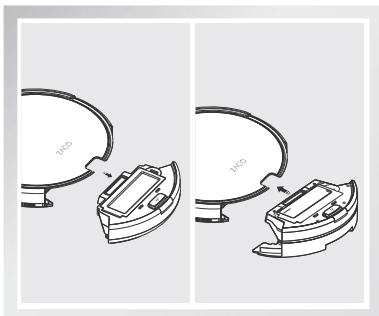
Open the water inlet cap. Slowly pour in water with a cup.

2 Attach Mop Cloth



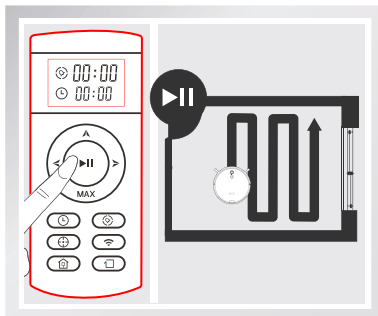
Close the cap tight and attach the mop cloth firmly.

3 Install Water Tank



Press dustbin release button to remove the dustbin and replace with the water tank.

4 Mopping



Press Auto button to start mopping and vacuuming.

APP Download

Your robot can be controlled remotely by a mobile APP. Operation guides are available on the APP interface.



ZACO Robot APP

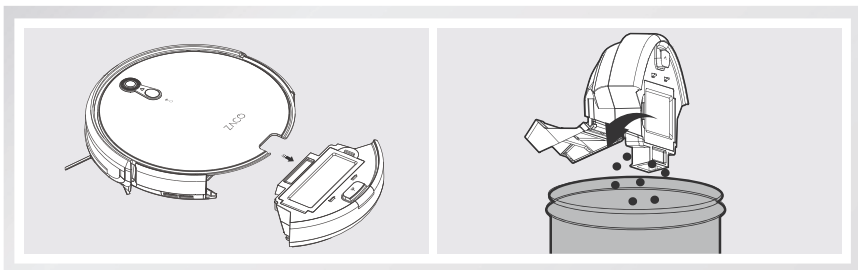


ZACO Robot APP

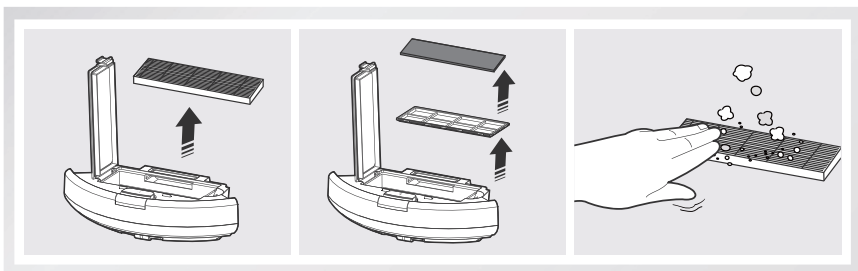
Maintenance

* Turn off the robot during maintenance.

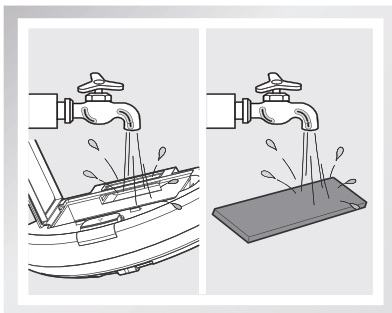
1. Dustbin and filter



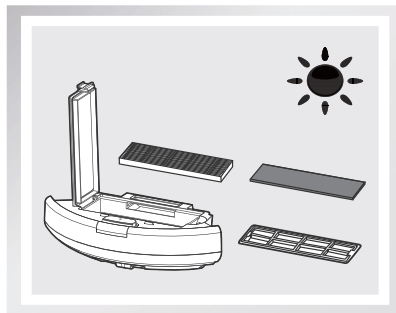
Press the dustbin release button to remove the dustbin. Open and empty it.



Take out the filter holder and remove the high performance filter.
Do not wash the high performance filter with water.



Rinse the dustbin and primary filter with water.

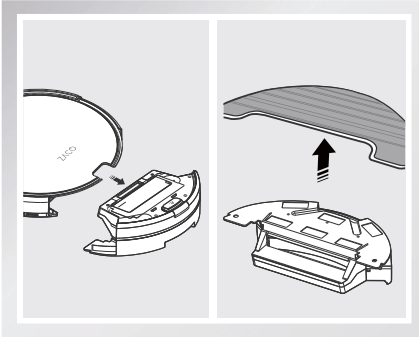


Dry the dustbin and filter. Do not reinstall them if they are wet.

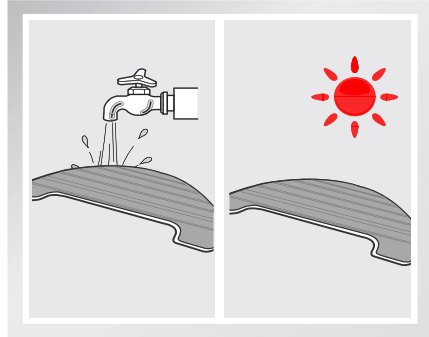
Maintenance

2. Water Tank

1. Cleaning Mop Cloth

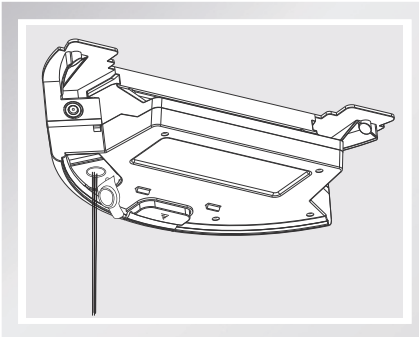


Remove: Take out the water tank and mop cloth after each use.

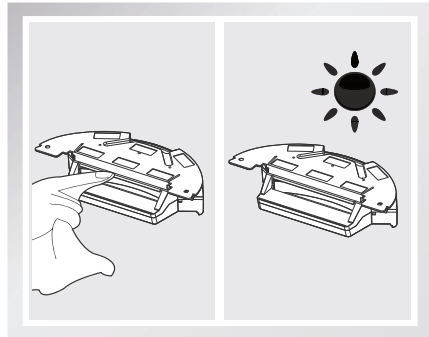


Maintenance: Rinse and dry the mop cloth.

2. Cleaning Water Tank



Remove: After each use, remove mop cloth holder and mop cloth, and empty the water tank.



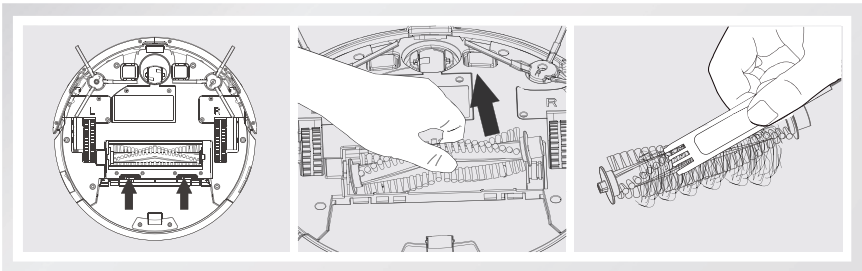
Maintenance: Wipe water tank with a dry cloth and then air dry it.

Maintenance

3. Main Brush and Side Brushes

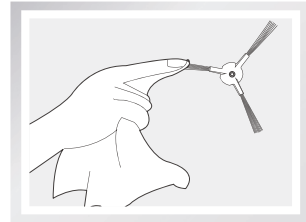
1>. Clean the main brush

Open the top cover and take out the main brush. Remove hair on the brush with the provided cleaning comb.



2>. Clean the side brushes

Unscrew the side brushes. Clean dust and hair in the cavity. Make sure the side brushes can rotate freely.



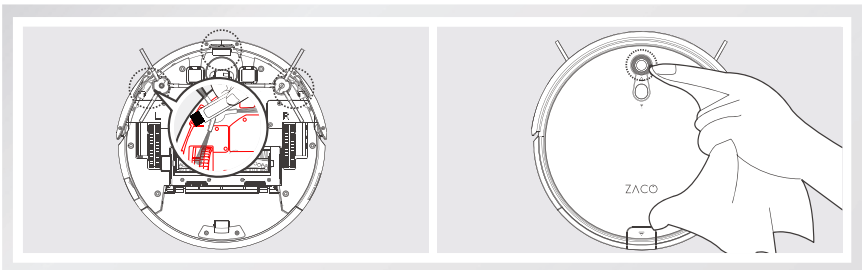
4. Other Components

1>. Clean the cliff sensors

Clean the cliff sensors regularly to maintain its accuracy.

2>. Clean the visual navigation sensor

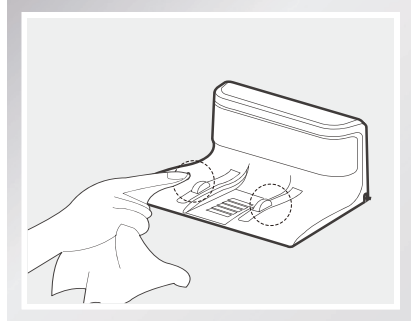
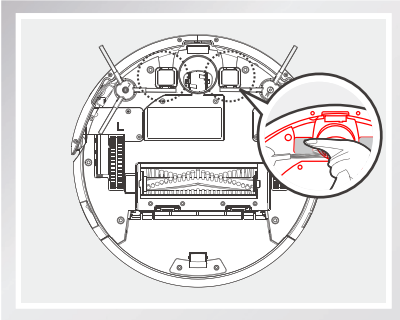
Regularly clean the sensor with a dry cloth to maintain its efficiency.



Maintenance

3>. Charging Pins

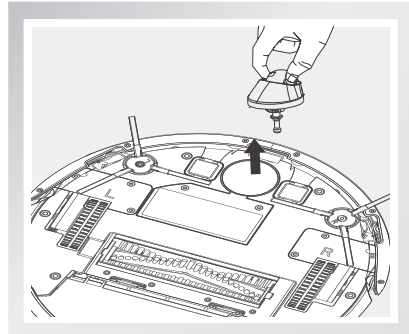
Clean the charging pins on the charging dock and at the base of the robot with a dry soft cloth.



4>. Front wheel

Make sure the front wheel housing is not jammed by debris, otherwise the robot's cleaning performance will be affected.

(1) Pull the wheel up and out vertically and clean the wheel, wheel holder and wheel housing.



Troubleshooting

CLEAN button signals

Robot status	Lights signal
Charging	Orange light flashes
Charging finished	All lights off
In selected mode	Green light flashes
Malfunctioning	Red light turns solid
Low battery	Orange light turns solid
In cleaning mode	Green light turns solid

Troubleshooting

Troubleshooting

Here are some common problems that you may encounter when using A8s.

No.	Movement	Possible cause	What to do
1	Robot can't be charged	Robot isn't properly connected with the charge ports.	Make sure the charge ports of the charging dock align with those on the robot.
		<ul style="list-style-type: none"> Charging dock is turned off. Battery is flat; if power switch on the robot is turned on. 	Keep the robot's power switch on and put the robot on the charging to make sure robot is fully charged for the next job.
		Robot is fully discharged.	To reactivate the battery: <ul style="list-style-type: none"> Manually put the robot on charging dock. Charge for 3 minutes and remove the robot. Repeat the steps three times. Charge for 3-5 hours as usual.
2	There is a voice alert	Robot is trapped by cables, curtain or carpet fringes on the floor.	If the robot cannot fix the problems itself, check the voice alert codes in this manual.
3	Robot has returned to charging dock before it finishes cleaning.	When robot's battery is running low, it will return to charging dock for recharge.	Recharge the robot.

Troubleshooting

No.	Movement	Possible cause	What to do
4	Robot doesn't start cleaning at scheduled time.	Robot's power switched is turned off ("O").	Flip the main power switch to "I" and reschedule.
		Battery is running low.	<ul style="list-style-type: none"> • Battery loses power when robot isn't on the charging dock. • Schedule is lost. Rescheduling is required.
		Robot's parts are clogged or jammed by debris.	Turn off the power switch, and clean the dustbin thoroughly including the exterior.
5	Remote control isn't working within 5 meters	Battery in remote control is low.	Replace the batteries and install them correctly.
		<ul style="list-style-type: none"> • Power switch on the robot is turned off. • Robot's battery is low. 	Make sure the robot's power switch is turned on and the robot is fully charged.
		Signal reception is affected by dusty infrared transmitter of the remote control or the receiver of robot.	Clean the remote control's infrared transmitter and the robot's receiver with a clean cotton.
		There is interferences caused by other equipment generating infrared signals around the remote control.	Avoid using other infrared equipment near the remote control.

Product Specifications

Model	A8s		
Working voltage (V)	14.4-14.8 ===	Power (W)	22
charging dock			
Output voltage (V)	19 ===	Output current (A)	0.6
Remote Control Model: RC2004			
Input Voltage (V)	3 ===		
Adapter Model: GSCV0600S019V12E			
Input: 100-240V ~0.5A Max 50/60Hz		Output: 19V === 0.6A	
Battery type	Lithium ion 2600mAh		

Classification	Specifications	Detail
Mechanical	Diameter	310mm
	Height	72mm
	Weight	2.7kg
Cleaning	Dustbin capacity	0.3L
	Charging type	Auto / Manual
	Cleaning modes	Auto, Spot, Edge, Schedule
	Charging time	200~350 mins
	Cleaning time	About 160 mins
Body Button		Mechanical Button

Remark: The storage temperature of this product is between -20°C to 60°C. Successful time and schedule settings are confirmed by a beep sound. If there is no sound confirmation, it means the settings are not saved.

ZACO Customer Service

Free Call Europe: 00800-42377961

Direct Line DE: 0209-513038-380

Email: support@zacorobot.eu

Website: www.zacorobot.eu