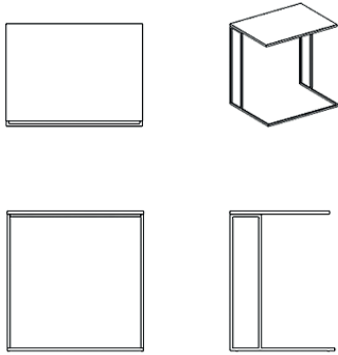
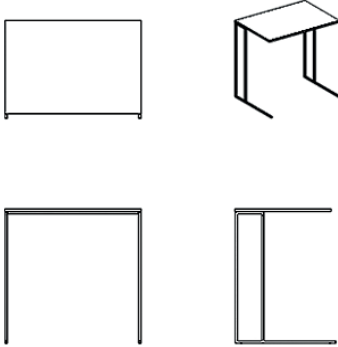
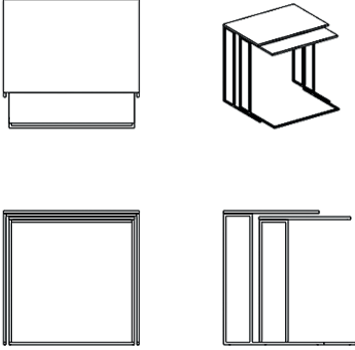

Sera

Coffee Table



Shining out with its functional structure, Sera Nesting Table's most specific details are its sharp lines, decorative structure and simple design...

Technical Drawing

| | | | | | | | | |
|---|---------------------|---------------------|--|---------------------|---------------------|---|---------------------|---------------------|
|  | | |  | | |  | | |
| SHP541 SERA | | | SHP540 SERA | | | SHP542 SERA | | |
| AHŞAP / LAKE WOOD / LACQUER | | | AHŞAP / LAKE WOOD / LACQUER | | | AHŞAP / LAKE WOOD / LACQUER | | |
| E: 50 cm | D: 38 cm | Y: 53 cm | E: 55 cm | D: 40 cm | Y: 55 cm | E: 55 cm | D: 40 cm | Y: 55 cm |
| L: 19,7 inch | D: 15,0 inch | H: 20,9 inch | L: 21,7 inch | D: 15,7 inch | H: 21,7 inch | L: 21,7 inch | D: 15,7 inch | H: 21,7 inch |

Technical Information

Top Finishes

Natural wood and lacquer options

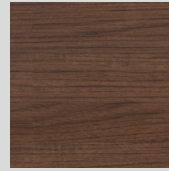
Lacquer painted material on laminated particle boards or medium-density fiberboards (MDF) are used in the tables of the coffee tables.

Legs

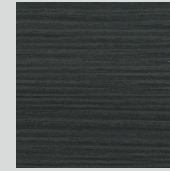
Legs of the coffee table are made of 10x10mm sheet iron material. It is painted with powder paint and then oven-dried in 210°C degrees. Legs of the table are gofrato painted which has a grainy structure.

Top Finishes

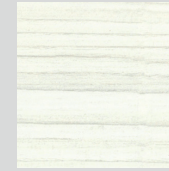
Wood and Lacquer Options



Walnut

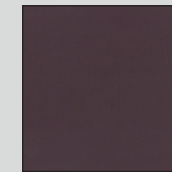
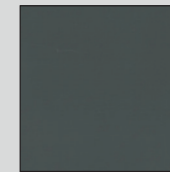
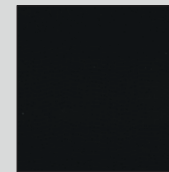
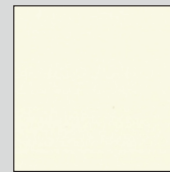
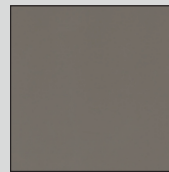
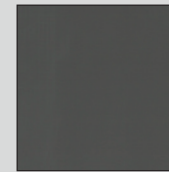
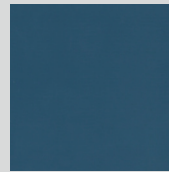


Smoke

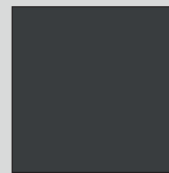


Maple

All Lacquer Options



Legs



Gofrato