

---

# LAIRE – LIVIO

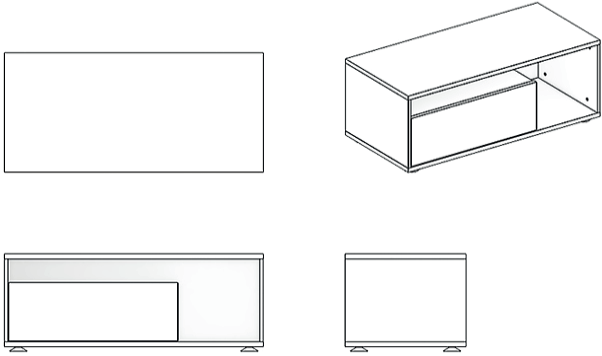
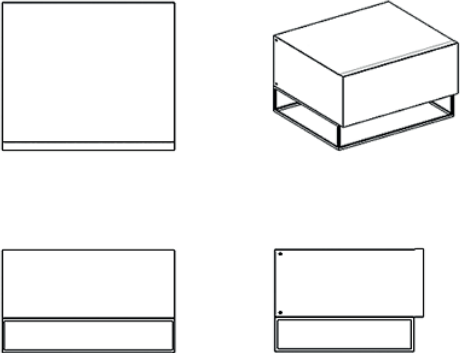
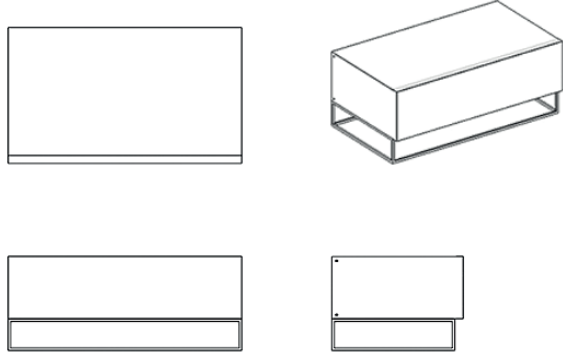
Nightstand



As an essential complementary of your bedroom, Laire Nightstand will take the leading role in your joy corner both with its storage area thanks to the drawer and its bookshelf. Spacious drawer gives you enough storage area while its elegant legs make it easier to clean the area it's in. With its modern appearance and minimalist style, Livio Nightstand is an excellent choice to complete your decoration!

---

# Technical Drawing

								
<b>KOM307 LAIRE</b>			<b>KOM020 LIVIO 23,6''/60cm</b>			<b>KOM020 LIVIO 36,2''/92cm</b>		
<b>WOOD</b>			<b>WOOD / LACQUER</b>			<b>WOOD / LACQUER</b>		
<b>AHŞAP</b>			<b>AHŞAP / LAKE</b>			<b>AHŞAP / LAKE</b>		
<b>L:</b> 36,2 inch	<b>D:</b> 16,9 inch	<b>H:</b> 13,8 inch	<b>L:</b> 23,6 inch	<b>D:</b> 20,5 inch	<b>H:</b> 14,2 inch	<b>L:</b> 36,2 inch	<b>D:</b> 20,5 inch	<b>H:</b> 14,2 inch
<b>E:</b> 92 cm	<b>D:</b> 43 cm	<b>Y:</b> 35 cm	<b>E:</b> 60 cm	<b>D:</b> 52 cm	<b>Y:</b> 36 cm	<b>E:</b> 92 cm	<b>D:</b> 52 cm	<b>Y:</b> 36 cm

# Technical Information

## Top Finishes

### *Natural wood and lacquer options*

Lacquer painted material on laminated particle boards or medium-density fiberboards (MDF) are used in the bodies of the nightstands.

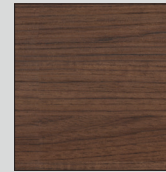
### *KOM020*

## Legs

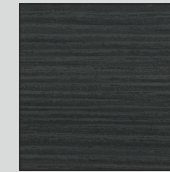
Legs of the nightstands are painted with powder paint and then oven-dried in 210C degrees. Surface is gofrato.

## Top Finishes

### Wood and Lacquer Options



Walnut

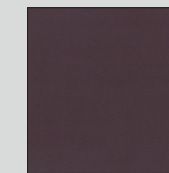
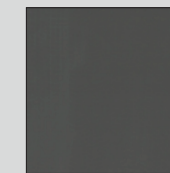
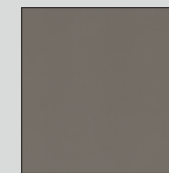
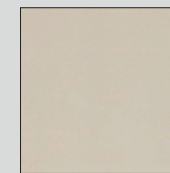
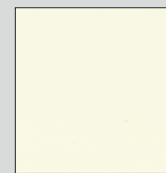
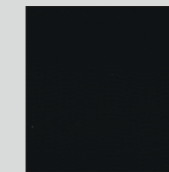
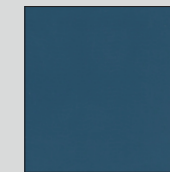
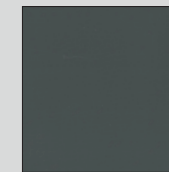


Smoke

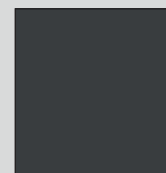


Maple

### All Lacquer Options (*KOM020*)



### Legs (*KOM020*)



Gofrato