

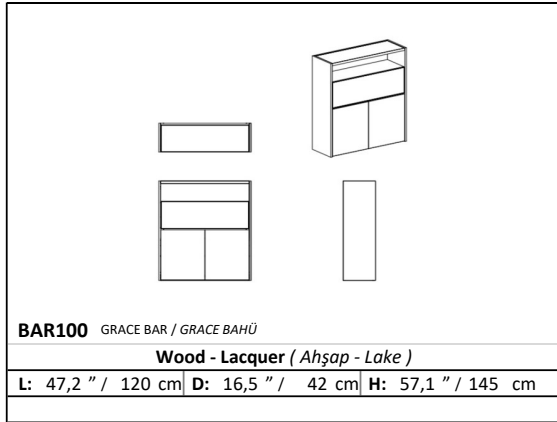
# GRACE BAR



Shining out with its functional design...

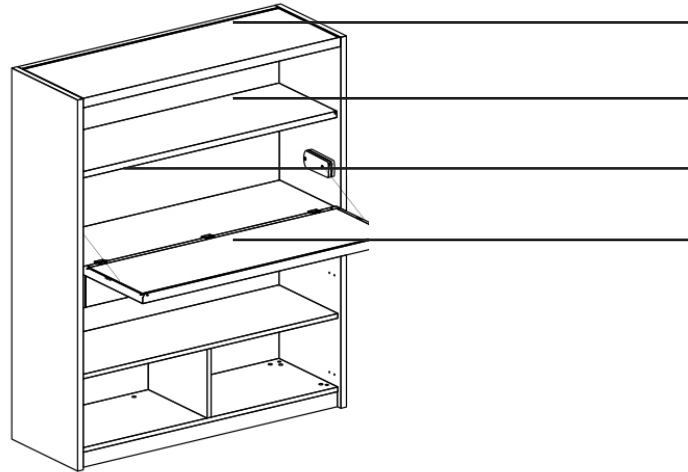
Grace Bar Unit is created by our design team for you to use both as storage for your belongings during daily life and as a chic detail for your space. You can select from all our wood and lacquer colors for Grace bar to complete the harmony of your living space and create an elegant atmosphere with its integrated, touch-operated light feature. Opening the pull-down cover designed with reflective glass, you can use it as a service table. You can also customize the part under the drawer according to your needs and have it manufactured as a glass and wine rack. With these features in addition to its functionality, Grace Bar Unit offers tailor-made luxury for your needs.

# Technical Drawing



# Technical Drawing

OPTION 1



GLASS

FABRIC

MIRROR

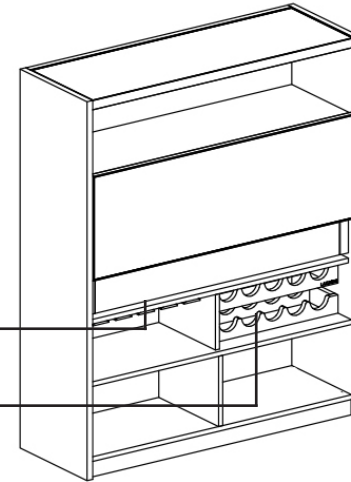
GLASS

WINE GLASS  
HOLDER

WINE RACK

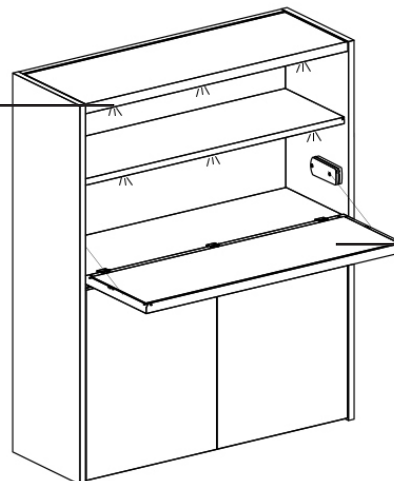
WITHOUT WINE RACK

OPTION 2



WINE RACK

TOUCH BUTTON  
FOR LIGHT



COVER DESIGN  
THAT CAN BE A  
SERVICE TABLE

# Materials



## WOOD

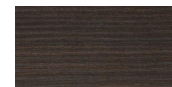
BODY - DOOR



BIANCO



WALNUT



TEXTURED MOCHA  
WOOD



SMOKE



CARINA

## LACQUER

BODY - DOOR



BLACK



ANTHRACITE



BURGUNDY



BLUE



GREY



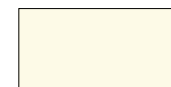
MOCHA



CAPPUCINO



MINK



CREAM



WHITE

## GLASS

SHELF - MIDDLE DOOR



SMOKE REFLECTED  
GLASS



BRONZE REFLECTED  
GLASS

## MIRROR

MIDDLE BACK FACE



NORMAL  
MIRROR

## FABRIC

MIDDLE SHELF



S39