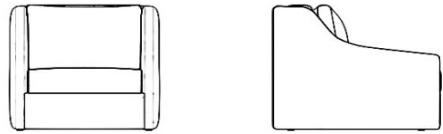
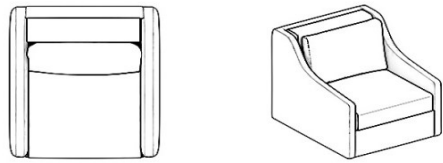

DANTE

Sofas



Thanks to its function of turning into a bed, it offers being more than a single seat. By shining out with its handy structure for narrow and small areas, Dante Seat brings a new direction to your living areas with its structure that allows practical adjustments!

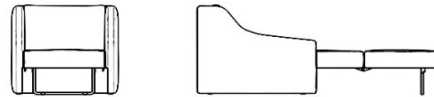
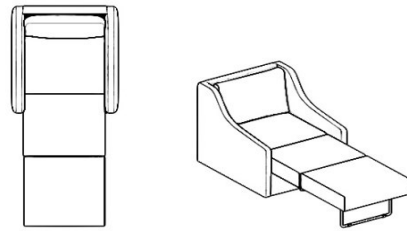
Technical Drawing



DNT100 DANTE

-
-

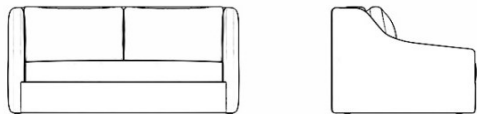
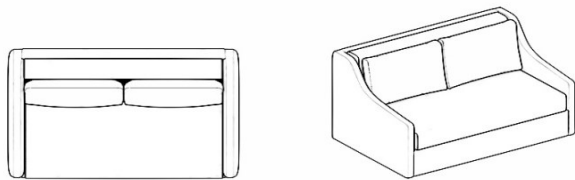
L: 34,3 inch **D:** 38,6 inch **H:** 31,9 inch
E: 87 cm **D:** 98 cm **Y:** 81 cm



DNT100 DANTE

-
-

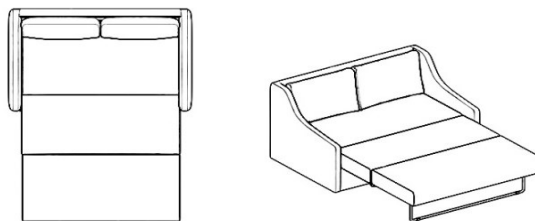
L: 34,3 inch **D:** 81,1 inch **H:** 31,9 inch
E: 87 cm **D:** 206 cm **Y:** 81 cm



SHP200 DANTE

-
-

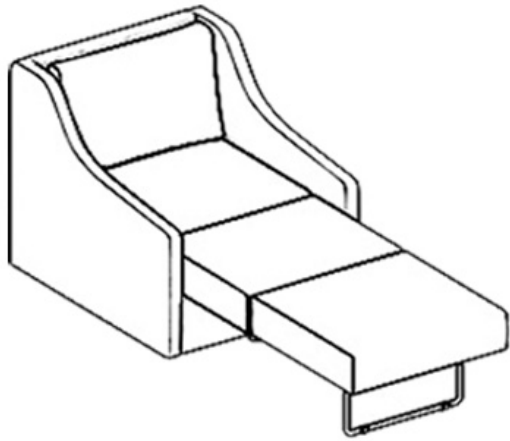
L: 62,2 inch **D:** 38,2 inch **H:** 31,9 inch
E: 158 cm **D:** 97 cm **Y:** 81 cm



DNT200 DANTE

-
-

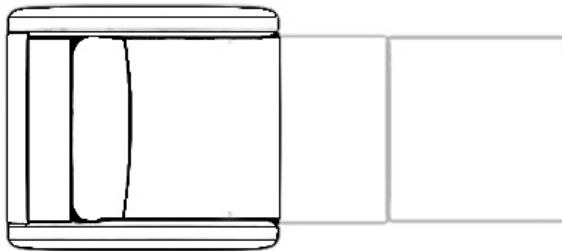
L: 62,2 inch **D:** 81,1 inch **H:** 31,9 inch
E: 158 cm **D:** 206 cm **Y:** 81 cm



Depth : 206 cm - 81,1 inch

Depth : 98 cm - 38,5 inch

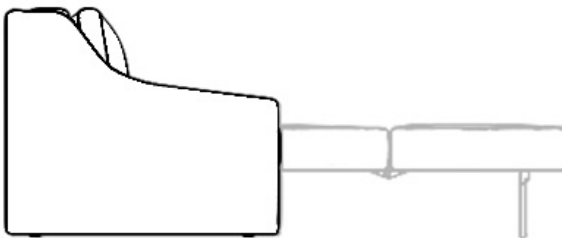
Width : 87 cm - 34,2 inch



Width : 70 cm - 27,5 inch

Sitting Depth : 53 cm - 20,8 inch

Height : 81 cm - 31,8 inch



Legs Height : 25,5 cm - 10 inch

Sitting Height : 40,3 cm - 15,8 inch

Arm Height : 55,5 cm - 21,8 inch

Technical Information

Internal Structure:

Steel frame with humidity resistant, anti-rust paint.

Seat Cushion

HR35 foam with zigzag spring.

Back Rest

As sitting, HR35 soft foam with high density is used.

Legs

Pingo legs are used

Sitting Height

40 cm / 15,8 inch

Arm Height

55,5 cm / 21,8 inch

Legs Height

25,5 cm / 10 inch

Width

87 -70 cm / 34,2 -27,5 inch

Sitting Depth

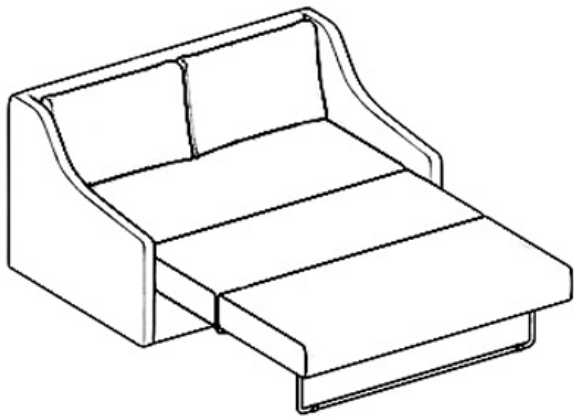
53 cm / 20,8 inch

Depth

98 - 206 cm / 38,5 - 81,1 inch

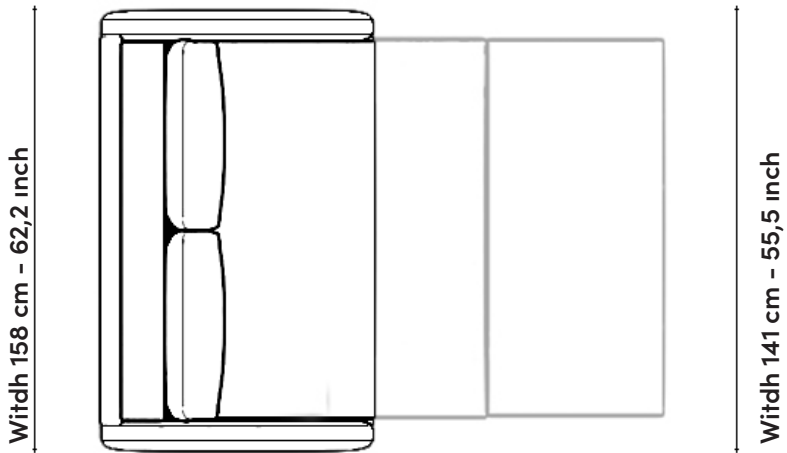
Height

81 cm / 31,8 inch



Depth : 206 cm - 81,1 inch

Depth : 97 cm - 38,1 inch

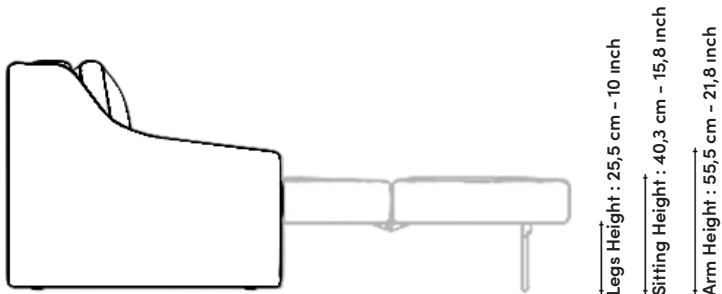


Width 158 cm - 62,2 inch

Width 141 cm - 55,5 inch

Sitting Depth : 53 cm - 20,8 inch

Height : 81 cm - 31,8 inch



Legs Height : 25,5 cm - 10 inch

Sitting Height : 40,3 cm - 15,8 inch

Arm Height : 55,5 cm - 21,8 inch

Technical Information

Inner Structure

Chair's frame is metalwork.

Sitting

As sitting, HR35 soft foam with high density is used.

Back Cushion

As sitting, HR35 soft foam with high density is used.

Legs

Pingo legs are used

Sitting Height

40 cm / 15,8 inch

Arm Height

55,5 cm / 21,8 inch

Legs Height

25,5 cm / 10 inch

Width

158 -141 cm / 62,2 -55,5 inch

Sitting Depth

53 cm / 20,8 inch

Depth

97 - 206 cm / 38,1 - 81,1 inch

Height

81 cm / 31,8 inch