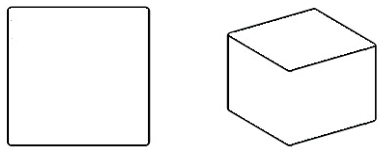
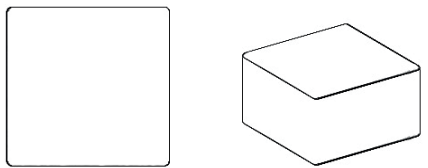
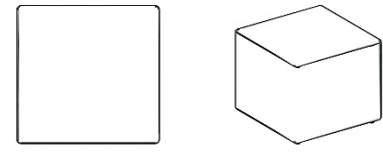
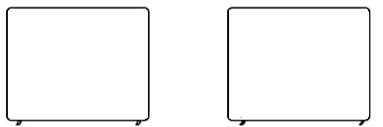
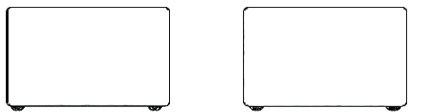
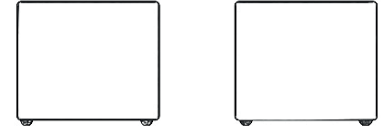

CUBO

Ottoman



Aiming to bring dynamism to your living space with its linear lines, Cubo Ottoman allows you to create various rest areas depending on the need.

Technical Drawing

								
								
PUF650 CUBO XS			PUF004 CUBO S			PUF005 CUBO L		
FABRIC KUMAŞ			FABRIC KUMAŞ			QUILTED / FLAT - FABRIC KAPİTONELİ / KAPİTONESİZ - KUMAŞ		
L: 15,7 inch	D: 15,7 inch	H: 13,4 inch	L: 20,1 inch	D: 20,1 inch	H: 13,0 inch	L: 19,7 inch	D: 19,7 inch	H: 17,7 inch
E: 40 cm	D: 40 cm	Y: 34 cm	E: 51 cm	D: 51 cm	Y: 33 cm	E: 50 cm	D: 50 cm	Y: 45 cm

Technical Information

Fabric

The products' upper tables are transformed into ottomans with options of the use of all fabrics.

All Fabric Options

