

---

# BLOCK

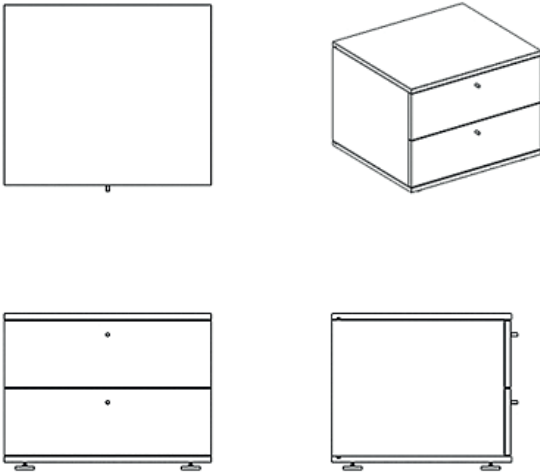
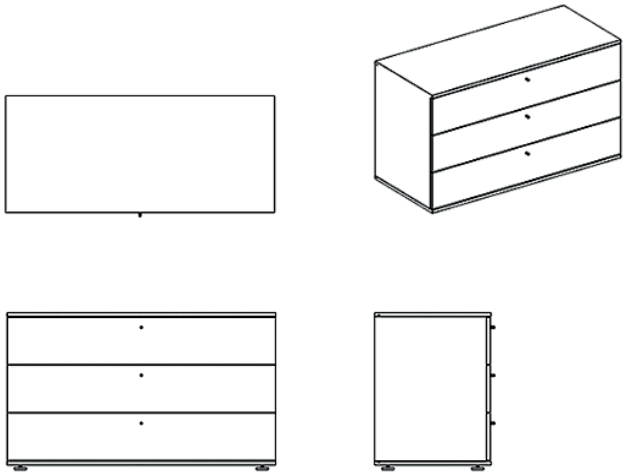
Nightstand and Dresser



While emphasizing its utility with its functional storage areas, Block also accommodates with your area of use with its simple style.

---

# Technical Drawing

					
<b>KOM303</b> <i>BLOCK</i>			<b>SFN303</b> <i>BLOCK</i>		
<b>WOOD</b> <b>AHŞAP</b>			<b>WOOD</b> <b>AHŞAP</b>		
<b>L:</b> 23,6 inch	<b>D:</b> 20,5 inch	<b>H:</b> 17,7 inch	<b>L:</b> 47,2 inch	<b>D:</b> 20,5 inch	<b>H:</b> 27,6 inch
<b>E:</b> 60 cm	<b>D:</b> 52 cm	<b>Y:</b> 45 cm	<b>E:</b> 120 cm	<b>D:</b> 52 cm	<b>Y:</b> 70 cm

---

# Technical Information

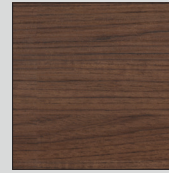
## Top Finishes

### *Natural Wood*

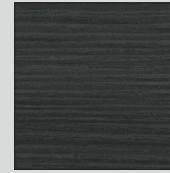
Laminated particle boards are used in the tabs of the nightstands.

## Top Finishes

### Wood Options



Walnut



Smoke



Maple