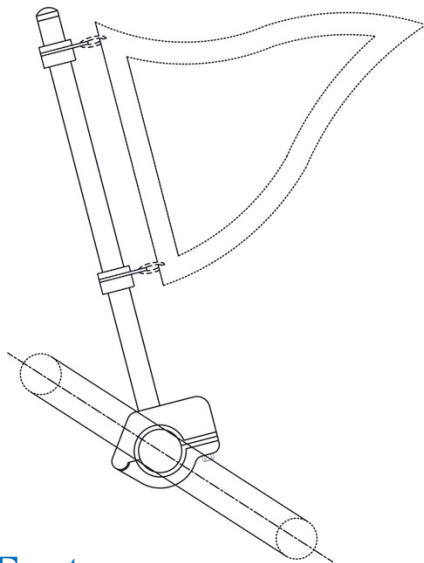


Heavy Duty Burgee Rail Mount Pole

Catalog No. WFBRMPI
November 2020

Wavy Flag solid 316 stainless steel rail mount poles designed for multiple rail sizes. Our burgee pole uses a patented integral hinged clamshell design that is easy to install but will withstand the harshest conditions and highest of winds. The clamp has a thermoplastic insert to protect and hold tight onto the rail. Wavy Flag builds the highest quality and most sturdy rail mount poles on the market. We have designed an aluminum anti furling flag mounting coupling that will allow the flag to rotate 360 degrees to compensate for changing wind conditions and the constant direction changes common to boaters. The top of the pole is threaded to allow for ornamental attachments such as a decorative ball topper or possibly to mount a camera to capture pictures or video while underway. This product is shipped complete and ready to install with the integral clamshell design, swivel bearings, tools and carabiner clips.

Flag Not Included

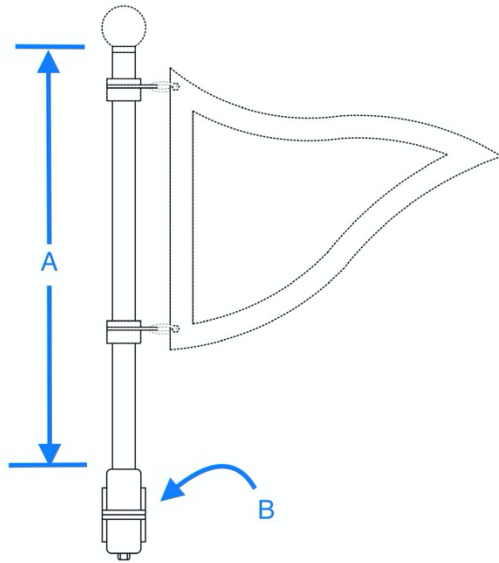


Features

- Marine Grade Stainless
- Solid Construction
- 360 Degree Swivels
- Multiple Topper Options
- One Piece Clamp
- Easy To Mount

Materials of Construction

Clamp Body/Pole	316 Stainless Steel
Insert	Thermoplastic
Swivel Body	Aluminum
Swivel Ring	316 Stainless Steel
Carabiner	316 Stainless Steel
Topper/Finial	316/304 Stainless Steel



TABLE

Part Number	Rail Diameter	Dimension A	Dimension B
WFBRM14PI	7/8" RAIL	14"-24"	7/8"
WFBRM16PI	1" RAIL		1"
WFBRM18PI	1-1/8" RAIL		1-1/8"
WFBRM20PI	1-1/4" RAIL		1-1/4"
WFBRM21PI	1-5/16" RAIL		1-5/16"
WFBRM24PI	1-1/2" RAIL		1-1/2"
WFBRM26PI	1-5/8" RAIL		1-5/8"
WFBRM28PI	1-3/4" RAIL		1-3/4"
WFBRM32PI	2" RAIL		2"

Ordering Information – Typical Ordering Number

WFBRM **16PI** - **WFBT-316**

|
Series Designator
 WFBRM

|
Size Designator
 14PI: 7/8"
 16PI: 1"
 18PI: 1-1/8"
 20PI: 1-1/4"
 21PI: 1-5/16"
 24PI: 1-1/2"
 26PI: 1-5/8"
 28PI: 1-3/4"
 32PI: 2"

|
Topper Option
 NIL: without (standard)
 WFBT-316: ball
 WFBTEB-SS: ball with base
 WFFT-SS: finial



SPARE PARTS

Part Number	DESCRIPTION	Material
WFBT-316	Ball	SS316
WFBTEB-SS	Ball with base	SS304
WFFT-SS	Finial	SS304

