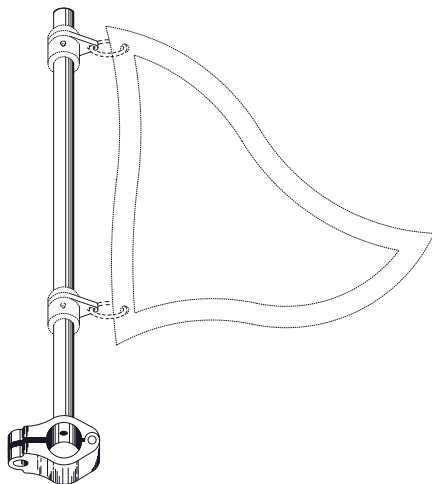


Burgee Rail Mount Pole

Catalog No. WFBRM
November 2020

Wavy Flag solid 316 stainless steel rail mount poles designed for multiple rail sizes. Our burgee pole uses a patented integral hinged clamshell design that is easy to install but will withstand the harshest conditions and highest of winds. Wavy Flag builds the highest quality and most sturdy rail mount poles on the market. We have designed an aluminum anti furling flag mounting coupling that will allow the flag to rotate 360 degrees to compensate for changing wind conditions and the constant direction changes common to boaters. The top of the pole is threaded to allow for ornamental attachments such as a decorative ball topper or possibly to mount a camera to capture pictures or video while underway. This product is shipped complete and ready to install with the integral clamshell design, swivel bearings, tools and carabiner clips.

Flag Not Included



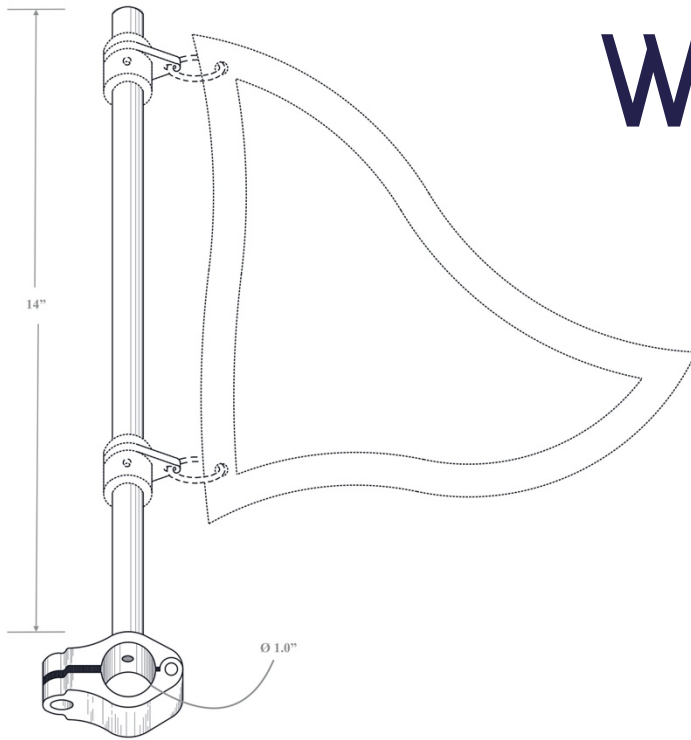
Features

- Marine Grade Stainless
- Solid Construction
- 360 Degree Swivels
- Multiple Topper Options
- One Piece Clamp
- Easy To Mount

Materials of Construction

Clamp Body/Pole	316 Stainless Steel
Screws	Stainless Steel
Swivel Body	Aluminum
Swivel Ring	316 Stainless Steel
Carabiner	316 Stainless Steel
Topper/Fineal	316/304 Stainless Steel

WAVY FLAG™



SPARE PARTS

Part Number	DESCRIPTION	Material
WFBT-316	Ball	SS316
WFBTEB-SS	Ball with base	SS304
WFFT-SS	Finial	SS304

Ordering Information – Typical Ordering Number

