

Technical Data sheet

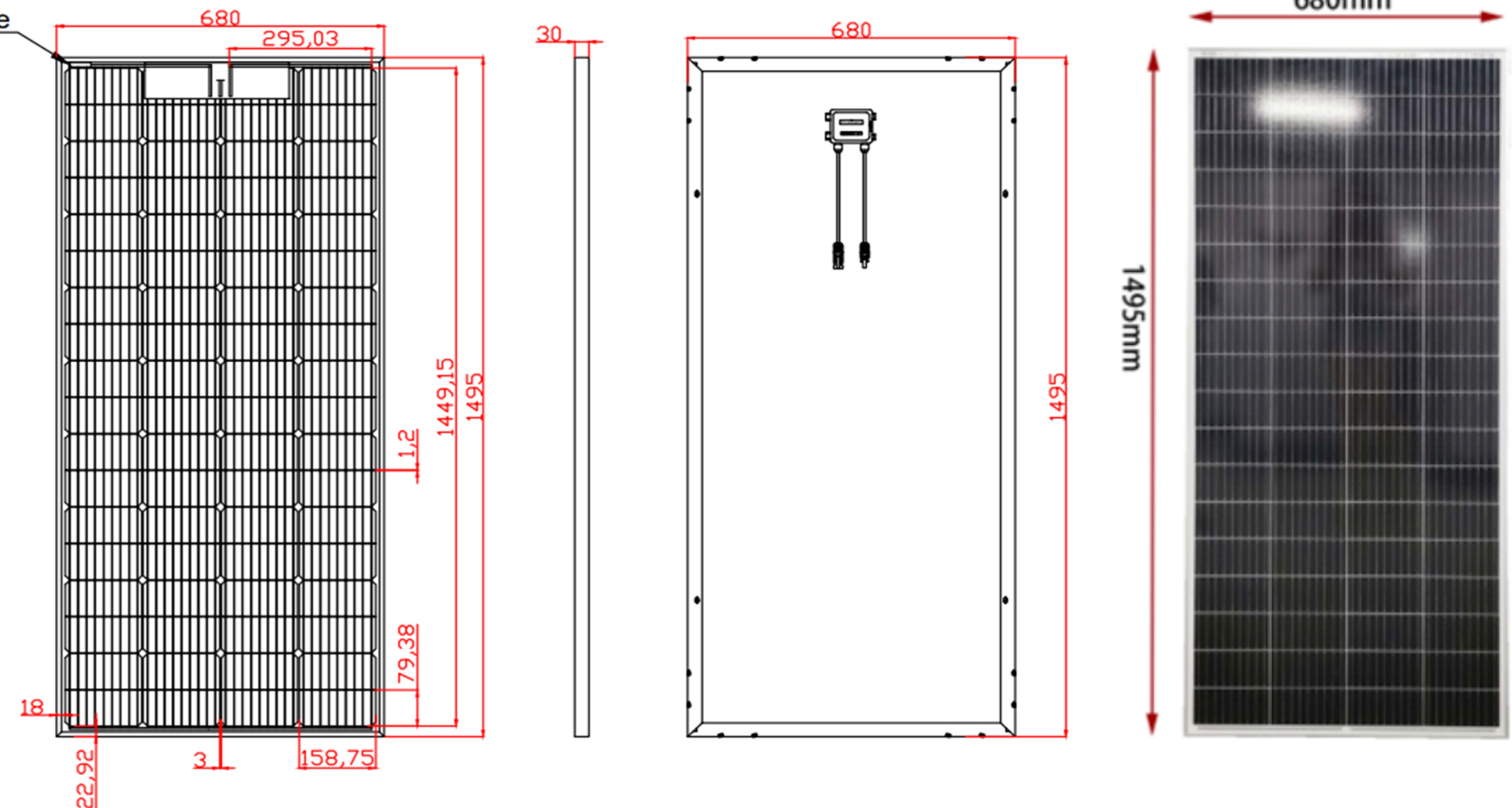
V200M-48V-G1

MECHANICAL DATA	
Solar cells	Mono-crystalline
Cell configuration	72 cells(4*18)
Module dimensions	1495x680x35mm
Weight	12kg
Superstrate	3.2 mm, High Transmission, Low Iron, Tempered Glass
Substrate	Black Back-sheet
Frame	Anodized Aluminium Alloy type 6063T5, Black color
J-Box	IP68
Cables	1400mm 4mm ² cable with MC4

ELECTRICAL DATA (STC)	
Model Number	V200M-48V-G1
Rated Power in Watts-Pmax(Wp)	200W
Open Circuit Voltage-Voc(V)	48V
Short Circuit Current-Isc(A)	5.68A
Maximum Power Voltage-Vmpp(V)	39V
Maximum Power Current-Impp (A)	5.13A
Power Tolerance	0~+3%

STC: Irradiance 1000 W/m², Cell Temperature 25°C, Air Mass AM1.5 according to EN 60904-3.

TEMPERATURE & MAXIMUM RATINGS	
Temperature Coefficient of Voc	-0.29%/P
Temperature Coefficient of Isc	0.05%/P
Temperature Coefficient of Pmax	-0.39%/r
Operational Temperature	- 40%>+85P
Maximum System Voltage	1000VDC
Max Series Fuse Rating	20A
Limiting Reverse Current	20A



Power Warranty	
10 years performance warranty to 90%	
25 years performance warranty to 80%	
5 years warranty against production and material defects	

Certifications	
IEC 61215, IEC 61730, TUV, CE, S09001, ETL1703	

Parameter	
Layout	4*18
Cell efficiency	22.90%
Power	200W
VMP	39V
IMP	5.13A
Voc	48V
Isc	5.68A

Contact us

4490 avenue des industries, Laval Quebec, H7C1A2

Phone : (450) 973 - 4770

