

SOLAR STRING BOX

 Residential System

 Commercial System



ZHEJIANG BENYI ELECTRICAL CO., LTD.

Address : Wenzhou Daqiao Industry Park, Yueqing City Zhejiang Province, 325603 China.

TEL : +86-577-5717 7008 Email : benyi@zjbeny.com

VERSION : 20220416

For the latest version of specification, please refer to www.beny.com or contact to benyi@zjbeny.com
We reserve the right to explain the terms of specification.



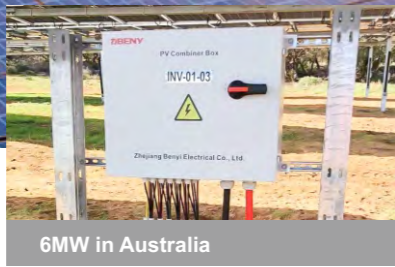
PROJECT CASES

BENY String Boxes
In Projects

- 73% market share in AU of DC switch
- Top 1 DC components manufacturer in China
- Top 1 Solar String Box manufacturer in China



85MW in De Aar South Africa



6MW in Australia



Solar Project in Tunis



Solar Project in Iraq



Solar Project in Indonesia



Solar Project in Chile



CONTENTS

DC Isolator Switch Box 01



Solar DC Switch Box

Page 02



Solar DC Switch Box

Page 03



Solar DC String Box
3 in 3 out

Page 04



Solar DC String Box
4 in 4 out

Page 05



Solar DC String Box
6 in 6 out 1000V

Page 06



2 input 2 output
600VDC / 1000VDC

Page 10



3 input 1 output
1000VDC

Page 11



3 input 3 output
600VDC / 1000VDC

Page 12



4 input 2 output
1000VDC

Page 13



4 input 4 output
1000VDC

Page 14



2 input 2 output
600VDC / 1000VDC

Page 18



3 input 1 output
600VDC / 1000VDC

Page 19



3 input 3 output
600VDC / 1000VDC

Page 20



4 input 2 output
600VDC / 1000VDC

Page 21



4 input 4 output
1000VDC

Page 22



6 input 2 output
1000VDC

Page 23



6 input 3 output
1000VDC

Page 24



6 input 6 output
1000VDC

Page 25

Solar Combiner Box 26



Solar DC String Box
1 in 1 out DC 1000V

Page 27



Solar DC String Box
2 in 1 out DC 1000V

Page 28



Solar DC String Box
2 in 2 out DC 1000V

Page 29



Solar DC String Box
3 in 1 out DC 1000V

Page 30



Solar DC String Box
4 in 1 out DC 1000V

Page 31



Solar Combiner Box
4 in 2 out DC 1000V

Page 32



Solar Combiner Box
5 in 1 out DC 1000V

Page 33



Solar Combiner Box
5 in 2 out DC 1000V

Page 34

Door Clutch Combiner Box 07



1 input 1 output
600VDC / 1000VDC

Page 08



2 input 1 output
600VDC / 1000VDC

Page 09

Over-Load Protection Box 15



1 input 1 output
600VDC / 1000VDC

Page 16




2 input 1 output
600VDC / 1000VDC


Page 17

CONTENTS


DC+AC Combiner Box 43




Solar Combiner Box
6 in 2 out DC 1000V
Page 35




Solar DC String Box
1 in 1 out 600V
Page 36




Solar DC Combiner Box
2 in 1 out 600V
Page 37




Solar DC String Box
2 in 2 out 600V
Page 38




Solar DC String Box
1 in 1 out DC 1000V
Page 39




Solar DC String Box
2 in 2 out DC 1000V
Page 40




Solar DC String Box
1 in 1 out DC 1000V
Page 41



Solar DC String Box
2 in 2 out DC 1000V
Page 42




BHS-1/1(DC+AC)
Page 44




BHS-2/2(DC+AC)
Page 45


AC Distribution Box 46




BBWX AC Distribution Box(AC)
Page 47




Type B RCD Box
1 in 1 out AC 400V
Page 48



Type B RCD Box
1 in 3 out AC 400V
Page 49




AC Contactor Box
1 in 1 out AC 400V
Page 50




AC Contactor Box
1 in 3 out AC 400V
Page 51


PV Waterproof Box 52




PV Waterproof Box
Page 53




PV Waterproof Box
Page 54




PV Waterproof Box
Page 55




PV Waterproof Box
08 Moduies
Page 56




PV Waterproof Box
13 Moduies
Page 57



PV Waterproof Box
15 Moduies
Page 58



PV Waterproof Box
26 Moduies
Page 59



PV Waterproof Box
39 Moduies
Page 60

The Best DC Components for The Best Result.



About BENY

Top 1 manufacturer of DC components and combiner boxes in China.
With more than 10 years experience in solar DC solutions designing, producing and testing.

We are one of the manufacturers own the DC electrical cycle tester in China, the test equipment is important for keeping the DC switch at high quality level.

The first DC switch listed by UI508i.

The standard DC isolator recommended by Clean Energy Council Australia.

BENY is supplying reliable DC components to top inverter companies and EPCs worldwide.

1000V 1500V solar solutions DC side and AC side is available.

Product Specification

KEEP INNOVATING

DC Isolator Switch Box SERIES





Solar DC Switch Box



General Data			
Model No.	BHS-2		
Input	4 string or 2 string		
Output	4 string or 2 string		
Maximum Voltage	1000V		
Maximum Current Output	32A		
Enclosure		BX-08	
Material Type	Polycarbonate/ABS		
Degree of Protection	IP65		
Degree of Resistance to Impacts	IK10		
Dimension (WxHxD)	210 x 194 x 120mm		
DC Switch Disconnecter		BYT.2-32	
Rated Insulation Voltage (Ui)	1000V	Environment	
Rated Current (Ie)	32A	Operating Temperature	-20°C~+60°C
Category	DC21B/PV2	Humidity	99%
Standard Compliance with	IEC 60947-3	Altitude	2000M
Certification	UL, TUV,KEMA,SAA,CE	Installation	Wall Mounting



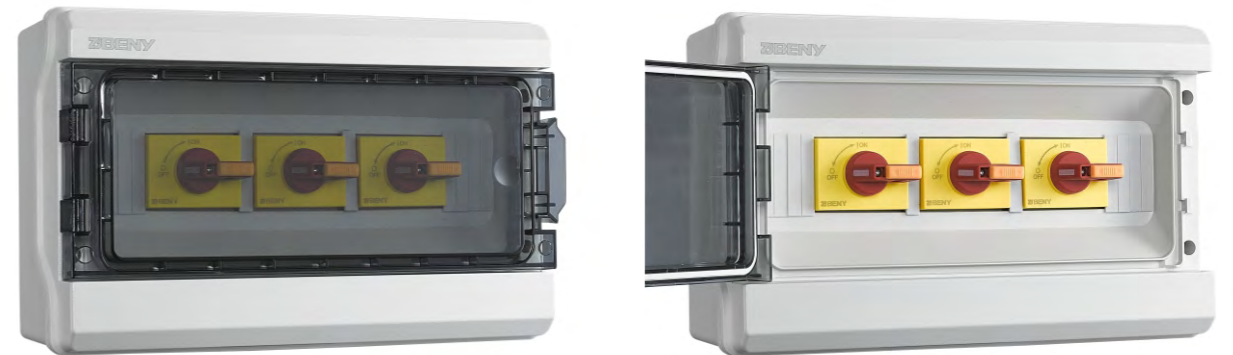
BHS-2



Solar DC Switch Box



General Data			
Model No.	BHS-3		
Input	3 string or 6 string		
Output	3 string or 6 string		
Maximum Voltage	1000V		
Maximum Current Output	32A		
Enclosure		BX-15	
Material Type	Polycarbonate/ABS		
Degree of Protection	IP65		
Degree of Resistance to Impacts	IK10		
Dimension (WxHxD)	331 x 210 x 122mm		
DC Switch Disconnecter		BYT.2-32	
Rated Insulation Voltage (Ui)	1000V	Environment	
Rated Current (Ie)	32A	Operating Temperature	-20°C~+60°C
Category	DC21B/PV2	Humidity	99%
Standard Compliance with	IEC 60947-3	Altitude	2000M
Certification	UL, TUV,KEMA,SAA,CE	Installation	Wall Mounting



BHS-3



Solar DC String Box
3 in 3 out



General Data			
Model No.	BHS-3/3		
Input	3 strings		
Output	3 strings		
Maximum Voltage	1000V		
Max DC Short Circuit Current Per Input (Isc)	15A (Changeable)		
Maximum Current Output	32A		
Enclosure	BX-26	DC fuse holder	BR-30
Material Type	Polycarbonate/ABS	LED Indicator	Yes
Degree of Protection	IP65	Rated Working Voltage	1000V
Degree of Resistance to Impacts	IK10	Fuse Link	10x38mm LITTEL 15A
Dimension (WxHxD)	292 x 370 x 132mm	Certification	UL, CB, CE
Cable input Entry	PG09 Cable Gland, 2.5-16mm ²		
Output Cable Gland	PG21 2.5-16mm ²		
DC Switch Disconnecter	BYT.2-32	Environment	
Rated Insulation Voltage (Ui)	1000V	Operating Temperature	-20°C~+60°C
Rated Current (Ie)	32A	Humidity	99%
Category	DC21B/PV2	Altitude	2000M
Standard Compliance with	IEC 60947-3	Installation	Wall Mounting
Certification	UL, TUV, KEMA, SAA, CE		



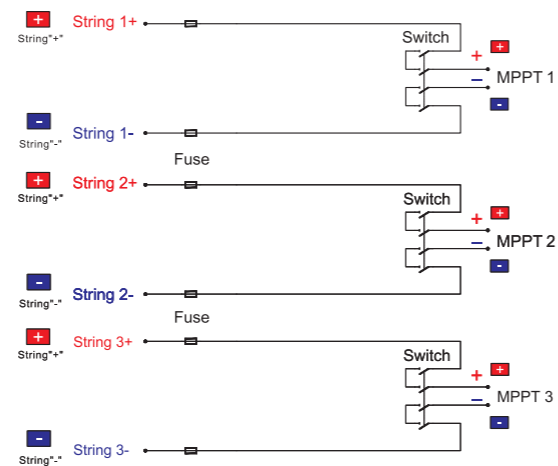
Solar DC String Box
4 in 4 out



General Data			
Model No.	BHS-4		
Input	4 strings		
Output	4 strings		
Maximum Voltage	1000V		
Maximum Current Output	32A		
Enclosure	BX-26		
Material Type	Polycarbonate/ABS		
Degree of Protection	IP65		
Degree of Resistance to Impacts	IK10		
Dimension (WxHxD)	292 x 370 x 132mm		
DC Switch Disconnecter	BYT.2-32	Environment	
Rated Insulation Voltage (Ui)	1000V	Operating Temperature	-20°C~+60°C
Rated Current (Ie)	32A	Humidity	99%
Category	DC21B/PV2	Altitude	2000M
Standard Compliance with	IEC 60947-3	Installation	Wall Mounting
Certification	UL, TUV, KEMA, SAA, CE		



BHS-3/3



BHS-4



Solar DC String Box
6 in 6 out 1000V



General Data			
Model No.	BHS-6		
Input	6 strings		
Output	6 strings		
Maximum Voltage	1000V		
Maximum Current Output	32A		
Enclosure			
Material Type	Polycarbonate/ABS		
Degree of Protection	IP65		
Degree of Resistance to Impacts	IK10		
Dimension (WxHxD)	292 x 370 x 132mm		
DC Switch Disconnecter		Environment	
Rated Insulation Voltage (Ui)	1000V	Operating Temperature	-20°C~+60°C
Rated Current (Ie)	32A	Humidity	99%
Category	DC21B/PV2	Altitude	2000M
Standard Compliance with	IEC 60947-3	Installation	Wall Mounting
Certification	UL, TUV,KEMA,SAA,CE		



BHS-6

Product Specification

KEEP INNOVATING

Door Clutch Combiner SERIES



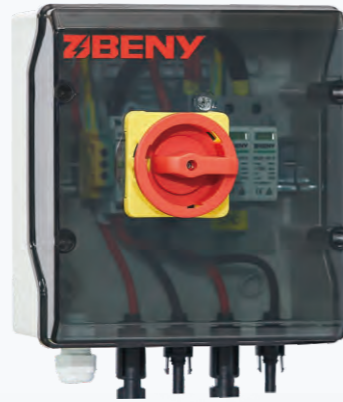
Door Clutch
Combiner Box

1 INPUT 1 OUTPUT

600VDC / 1000VDC



IP66 DC string box is designed for 1 string PV system.
For surge protection and isolating at solar DC side.



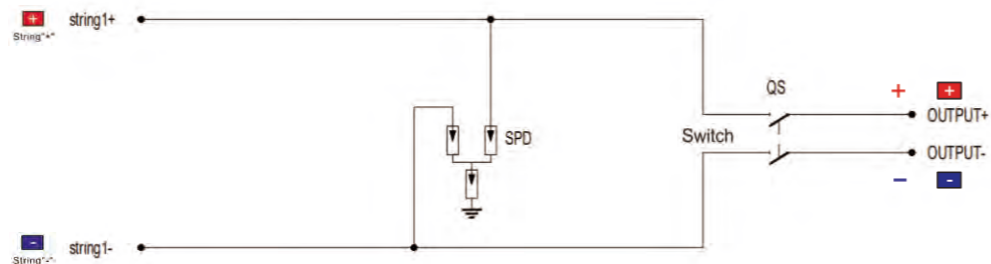
DC Isolator Switch

- ☑ UI508i approval , IEC60947-3 PV2
Cut off reverse current and over current
- ☑ Door clutch easier operating and lockable handle
- ☑ Patented DC arc extinguish chamber
- ☑ Magnetic Steels inside ensure rapid and safe extinguishing

DC SPD

- ☑ New IEC 61643, UI1449
- ☑ Designed for solar PV protection
- ☑ Higher capacity In 20KA (IEC, UL)
- ☑ Response time <25ns

Specification		Enclosure	
Model Number	BHS-1/1	Material	Polycarbonate
Input	1 strings	Degree of Protection	IP66
Output	1 strings	Impacts	IK10
Max Voltage	600V 1000V	Dimensions (W*H*D)	200*185*200
Short Circuit current per Input (Isc)	15A-30A (changeable)	Input Cable Glands	PG09, 2.5-16mm
Max Current Output	16A 25A	Output Cable Gland	PG21, 2.5-16mm
		Environment	
		Operating temperature	-25°C - +60°C



2 INPUT 1 OUTPUT

600VDC / 1000VDC



IP66 DC string box is designed for 2 string PV system.
For surge protection and isolating at solar DC side.



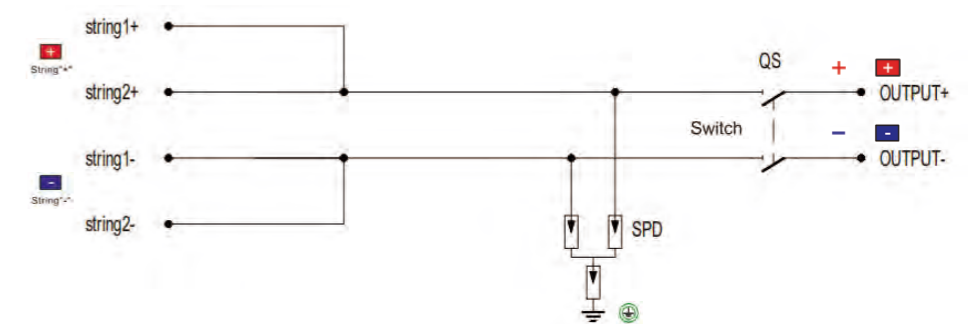
DC Switch

- ☑ UL508i approval , IEC60947-3 PV2
Cut off reverse current and over current
- ☑ Door clutch easier operating and lockable handle
- ☑ Patented DC arc extinguish chamber
- ☑ Magnetic Steels inside ensure rapid and safe extinguishing

DC SPD

- ☑ New IEC 61643, UI1449
- ☑ Designed for solar PV protection
- ☑ Higher capacity In 20KA (IEC, UL)
- ☑ Response time <25ns

Specification		Enclosure	
Model Number	BHS-2/1	Material	Polycarbonate
Input	2 strings	Degree of Protection	IP66
Output	1 strings	Impacts	IK10
Max Voltage	1000V	Dimensions (W*H*D)	200*185*200
Short Circuit current per Input (Isc)	15A-30A (changeable)	Input Cable Glands	PG09, 2.5-16mm
Max Current Output	32A	Output Cable Gland	PG21, 2.5-16mm
		Environment	
		Operating temperature	-25°C - +60°C



2 INPUT 2 OUTPUT 600VDC / 1000VDC



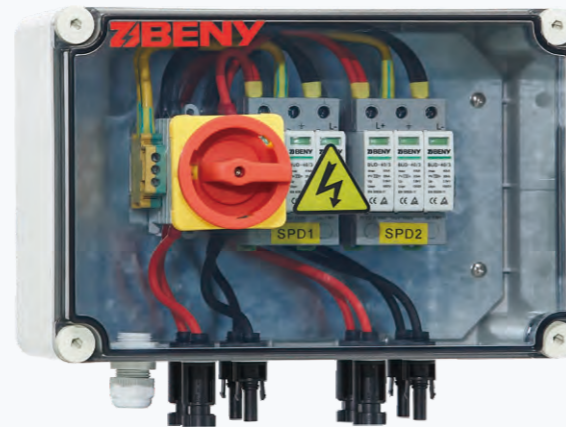
IP66 DC string box is designed for 2string PV system.
For surge protection and isolating at solar DC side.

DC Switch

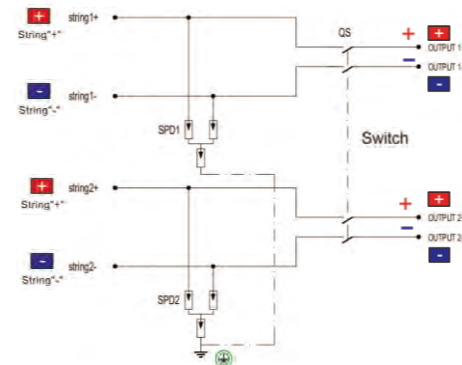
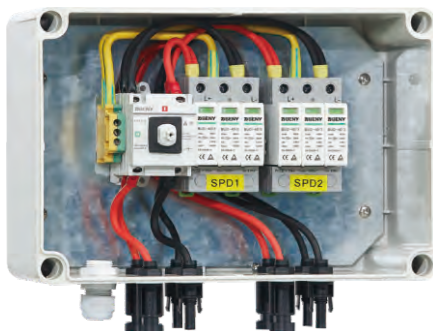
- ☑ UL508i approval , IEC60947-3 PV2
Cut off reverse current and over current
- ☑ Door clutch easier operating and lockable handle
- ☑ Patented DC arc extinguish chamber
- ☑ Magnetic Steels inside ensure rapid and safe extinguishing

DC SPD

- ☑ New IEC 61643, UI1449
- ☑ Designed for solar PV protection
- ☑ Higher capacity In 20KA (IEC, UL)
- ☑ Response time <25ns



Specification		Enclosure	
Model Number	BHS-2/2	Material	Polycarbonate
Input	2 strings	Degree of Protection	IP66
Output	2 strings	Impacts	IK10
Max Voltage	600V 1000V	Dimensions (W*H*D)	200*300*150
Short Circuit current per Input (Isc)	15A-30A (changeable)	Input Cable Glands	PG09, 2.5-16mm
Max Current Output	50A 50A	Output Cable Gland	PG21, 2.5-16mm
		Environment	
		Operating temperature	-25°C - +60°C



3 INPUT 1 OUTPUT 1000VDC



IP66 DC string box is designed for 3 string PV system.
For current protection ,surge protection and isolating at solar DC side.

DC Switch

- ☑ UL508i approval , IEC60947-3 PV2
Cut off reverse current and over current
- ☑ Door clutch easier operating and lockable handle
- ☑ Patented DC arc extinguish chamber
- ☑ Magnetic Steels inside ensure rapid and safe extinguishing

DC SPD

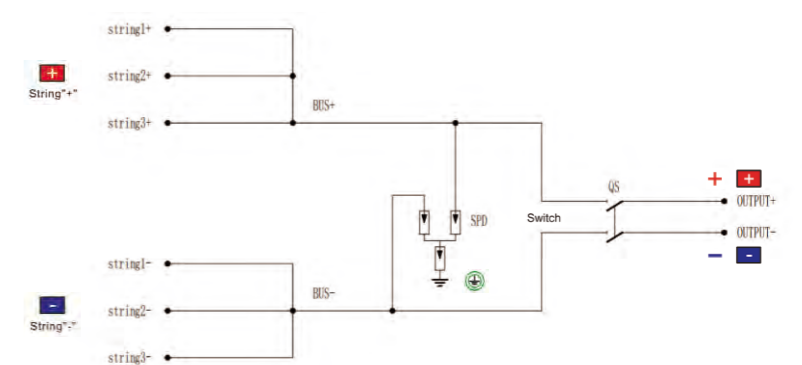
- ☑ New IEC 61643, UI1449
- ☑ Designed for solar PV protection
- ☑ Higher capacity In 20KA (IEC, UL)
- ☑ Response time <25ns

DC Fuse

- ☑ IEC60947-3
- ☑ LED Indicator for reminding fuse replacement
- ☑ Touch -safe



Specification		Enclosure	
Model Number	BHS-3/1	Material	Polycarbonate
Input	3 strings	Degree of Protection	IP66
Output	1 strings	Impacts	IK10
Max Voltage	1000V	Dimensions (W*H*D)	280*210*120
Short Circuit current per Input (Isc)	15A-30A (changeable)	Input Cable Glands	PG09, 2.5-16mm
Max Current Output	50A	Output Cable Gland	PG21, 2.5-16mm
		Environment	
		Operating temperature	-25°C - +60°C



3 INPUT 3 OUTPUT 600VDC / 1000VDC



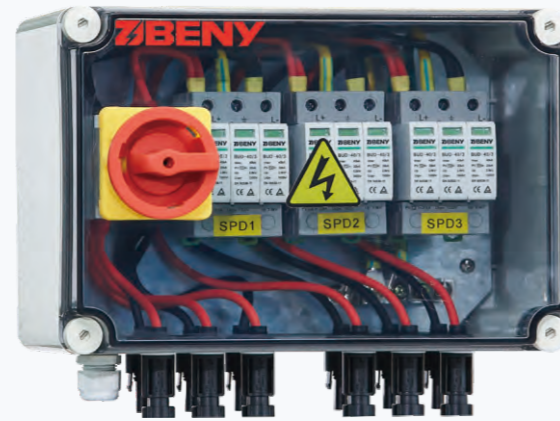
IP66 DC string box is designed for 3 string PV system.
For surge protection and isolating at solar DC side.

DC Switch

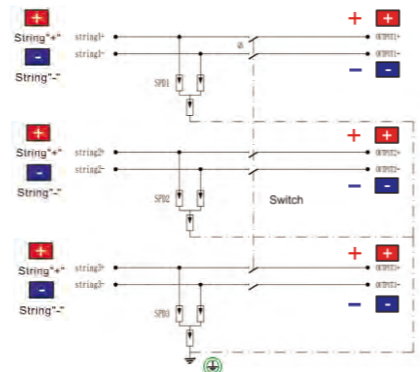
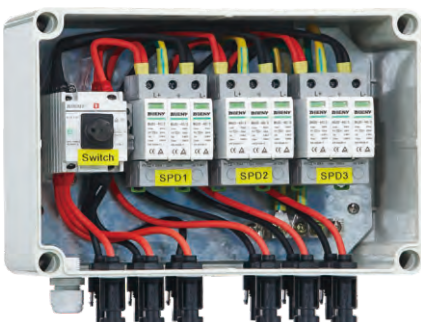
- ☑ UI508i approval, IEC60947-3 Pv2
Cut off reverse current and over current
- ☑ Door clutch easier operating and lockable handle
- ☑ Patented DC arc extinguish chamber
- ☑ Magnetic Steels inside ensure rapid and safe extinguishing

DC SPD

- ☑ New IEC 61643, UI1449
- ☑ Designed for solar PV protection
- ☑ Higher capacity In 20KA (IEC, UL)
- ☑ Response time <25ns



Specification		Enclosure	
Model Number	BHS-3/3	Material	Polycarbonate
Input	3 strings	Degree of Protection	IP66
Output	3 strings	Impacts	IK10
Max Voltage	600V 1000V	Dimensions (W*H*D)	200*300*150
Short Circuit current per Input (Isc)	15A-30A (changeable)	Input Cable Glands	PG09, 2.5-16mm
Max Current Output	50A 50A	Output Cable Gland	PG21, 2.5-16mm
		Environment	
		Operating temperature	-25°C - +60°C



4 INPUT 2 OUTPUT 1000VDC



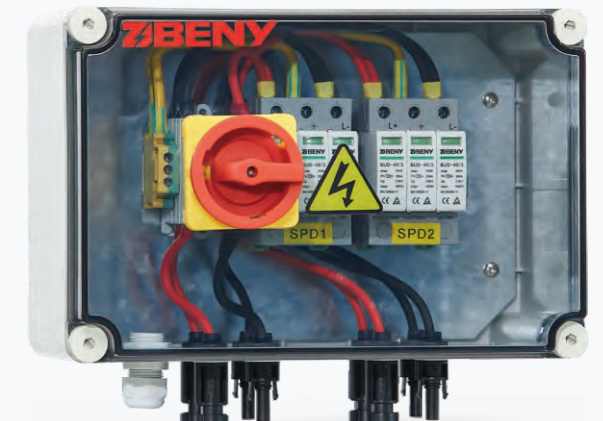
IP66 DC string box is designed for 4 string PV system.
For surge protection and isolating at solar DC side.

DC Switch

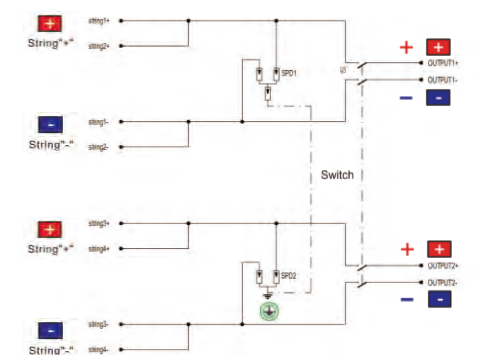
- ☑ UI508i approval, IEC60947-3 PV2
Cut off reverse current and over current
- ☑ Door clutch easier operating and lockable handle
- ☑ Patented DC arc extinguish chamber
- ☑ Magnetic Steels inside ensure rapid and safe extinguishing

DC SPD

- ☑ New IEC 61643, UI1449
- ☑ Designed for solar PV protection
- ☑ Higher capacity In 20KA (IEC, UL)
- ☑ Response time <25ns



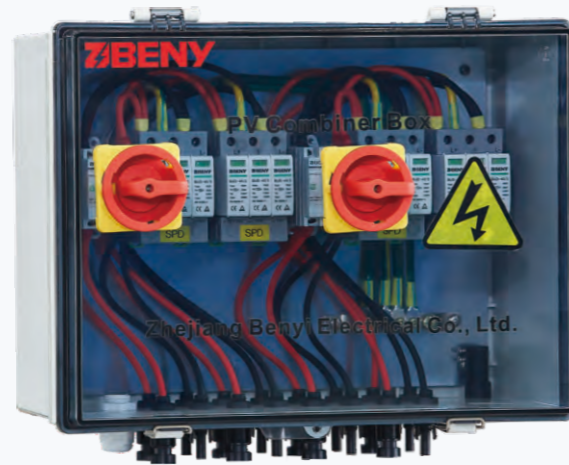
Specification		Enclosure	
Model Number	BHS-4/2	Material	Polycarbonate
Input	4 strings	Degree of Protection	IP66
Output	2 strings	Impacts	IK10
Max Voltage	1000V	Dimensions (W*H*D)	200*300*150
Short Circuit current per Input (Isc)	15A-30A (changeable)	Input Cable Glands	PG09, 2.5-16mm
Max Current Output	50A	Output Cable Gland	PG21, 2.5-16mm
		Environment	
		Operating temperature	-25°C - +60°C



4 INPUT 4 OUTPUT 1000VDC



IP66 DC string box is designed for 4 string PV system.
For surge protection and isolating at solar DC side.



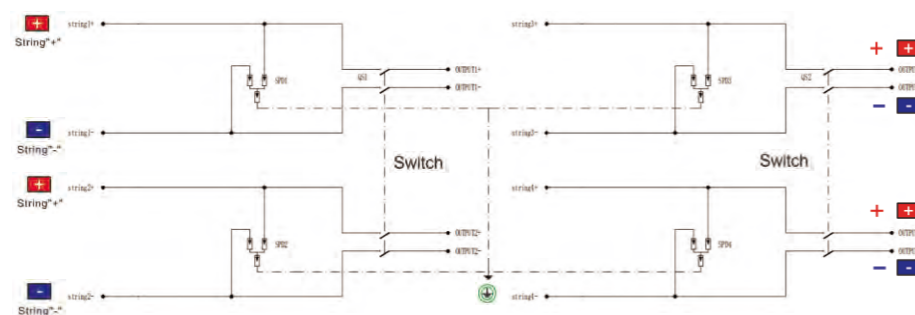
DC Switch

- ☑ UI508i approval, IEC60947-3 PV2
Cut off reverse current and over current
- ☑ Door clutch easier operating and lockable handle
- ☑ Patented DC arc extinguish chamber
- ☑ Magnetic Steels inside ensure rapid and safe extinguishing

DC SPD

- ☑ New IEC 61643, UI1449
- ☑ Designed for solar PV protection
- ☑ Higher capacity In 20KA (IEC, UL)
- ☑ Response time <25ns

Specification		Enclosure	
Model Number	BHS-4/4	Material	Polycarbonate
Input	4 strings	Degree of Protection	IP66
Output	4 strings	Impacts	IK10
Max Voltage	1000V	Dimensions (W*H*D)	300*400*180
Short Circuit current per Input (Isc)	15A-30A (changeable)	Input Cable Glands	PG09, 2.5-16mm
Max Current Output	50A	Output Cable Gland	PG21, 2.5-16mm
		Environment	
		Operating temperature	-25°C - +60°C



Product Specification

KEEP INNOVATING

Over-Load Protection Box SERIES



Over-Load Protection Box



1 INPUT 1 OUTPUT 600VDC / 1000VDC

IP65 DC string box is designed for 1 string PV system.
For surge protection and over-load protection at solar DC side.

DC Breaker

- ☑ UL489B design, IEC60947-2 PV standard
- ☑ Over-load, short circuit Protection
- ☑ Non Polarity for easier wiring

DC SPD

- ☑ New IEC 61643, UL1449
- ☑ Designed for solar PV protection
- ☑ Higher capacity In 20KA (IEC, UL)
- ☑ Response time <25ns



Specification	BHS-1/1	
Model Number	BHS-1/1	
Input	1 string	
Output	1 string	
Max Voltage	600V	1000V
Rated Current of DC Breaker	15A	15A
Max Current Output	63A	40A
Enclosure		
Material	Polycarbonate/ABS	
Degree of Protection	IP65	
Impacts	IK10	
Dimensions	BX-13: L290*W220*H120mm	
Input Cable Glands	PG09, 2.5-16	
Output Cable Gland	PG21, 2.5-16	
Environment		
Operating temperature	-25°C - +60°C	

2 INPUT 1 OUTPUT 600VDC / 1000VDC

IP65 DC string box is designed for 2 string PV system.
For surge protection and current protection at solar DC side.

DC Breaker

- ☑ UL489B PV standard and design
- ☑ Over-load and short-circuit Protection
- ☑ Non Polarity for easier wiring

DC SPD

- ☑ New IEC 61643, UL1449
- ☑ Designed for solar PV protection
- ☑ Higher capacity In 20KA (IEC, UL)
- ☑ Response time <25ns



Specification	BHS-2/1	
Model Number	BHS-2/1	
Input	2 strings	
Output	1 string	
Max Voltage	600V	1000V
Rated Current of DC Breaker	25A	25A
Max Current Output	63A	40A
Enclosure		
Material	Polycarbonate/ABS	
Degree of Protection	IP65	
Impacts	IK10	
Dimensions	BX-13: L290*W220*H120mm	
Input Cable Glands	PG09, 2.5-16	
Output Cable Gland	PG21, 2.5-16	
Environment		
Operating temperature	-25°C - +60°C	

2 INPUT 2 OUTPUT 600VDC / 1000VDC

IP65 DC string box is designed for 2 string PV system.
For surge protection and current protection at solar DC side.

DC Breaker

- ☑ UL489B PV standard
- ☑ IEC60947-2
- ☑ Over-load and short circuit Protection
- ☑ Non Polarity

DC SPD

- ☑ New IEC 61643, UL1449
- ☑ Designed for solar PV protection
- ☑ Higher capacity In 20KA (IEC, UL)
- ☑ Response time <25ns



Specification	
Model Number	BHS-2/2
Input	2 strings
Output	2 strings
Max Voltage	600V 1000V
Rated Current of DC Breaker	15A 15A
Max Current Output	63A 40A
Enclosure	
Material	Polycarbonate/ABS
Degree of Protection	IP65
Impacts	IK10
Dimensions	BX-13: L290*W220*H120mm
Input Cable Glands	PG09, 2.5-16
Output Cable Gland	PG21, 2.5-16
Environment	
Operating temperature	-25°C - +60°C

3 INPUT 1 OUTPUT 600VDC / 1000VDC

IP65 DC string box is designed for 3 string PV system.
For surge protection and current protection at solar DC side.

DC Breaker

- ☑ UL489B PV standard
- ☑ IEC60947-2
- ☑ Over-load and short circuit Protection
- ☑ Non Polarity

DC SPD

- ☑ New IEC 61643, UL1449
- ☑ Designed for solar PV protection
- ☑ Higher capacity In 20KA (IEC, UL)
- ☑ Response time <25ns



Specification	
Model Number	BHS-3/1
Input	3 strings
Output	1 string
Max Voltage	600V 1000V
Rated Current of DC Breaker	40A 40A
Max Current Output	63A 40A
Enclosure	
Material	Polycarbonate/ABS
Degree of Protection	IP65
Impacts	IK10
Dimensions	BX-13: L290*W220*H120mm
Input Cable Glands	PG09, 2.5-16
Output Cable Gland	PG21, 2.5-16
Environment	
Operating temperature	-25°C - +60°C

3 INPUT 3 OUTPUT 600VDC / 1000VDC

IP65 DC string box is designed for 3 string PV system.
For surge protection and current protection at solar DC side.

DC Breaker

- ☑ UL489B PV standard
- ☑ IEC60947-2
- ☑ Over-load and short circuit Protection
- ☑ Non Polarity

DC SPD

- ☑ New IEC 61643, UL1449
- ☑ Designed for solar PV protection
- ☑ Higher capacity In 20KA (IEC, UL)
- ☑ Response time <25ns



Specification	
Model Number	BHS-3/3
Input	3 strings
Output	3 strings
Max Voltage	600V 1000V
Rated Current of DC Breaker	40A 40A
Max Current Output	63A 40A
Enclosure	
Material	Polycarbonate/ABS
Degree of Protection	IP65
Impacts	IK10
Dimensions	L302*W373*H131mm
Input Cable Glands	PG09, 2.5-16
Output Cable Gland	PG21, 2.5-16
Environment	
Operating temperature	-25°C - +60°C

4 INPUT 2 OUTPUT 600VDC / 1000VDC

IP65 DC string box is designed for 3 string PV system.
For surge protection and current protection at solar DC side.

DC Breaker

- ☑ UL489B PV standard and design, IEC60947-2
- ☑ Over-load and short circuit Protection
- ☑ Non Polarity for easier wiring

DC SPD

- ☑ New IEC 61643, UL1449
- ☑ Designed for solar PV protection
- ☑ Higher capacity In 20KA (IEC, UL)
- ☑ Response time <25ns



Specification	
Model Number	BHS-4/2
Input	4 strings
Output	2 strings
Max Voltage	600V 1000V
Rated Current of DC Breaker	25A/25A 25A/25A
Max Current Output	63A/63A 63A/63A
Enclosure	
Material	Polycarbonate/ABS
Degree of Protection	IP65
Impacts	IK10
Dimensions	L302*W373*H131mm
Input Cable Glands	PG09, 2.5-16
Output Cable Gland	PG21, 2.5-16
Environment	
Operating temperature	-25°C - +60°C

4 INPUT 4 OUTPUT

1000VDC

IP65 DC string box is designed for 4 strings PV system.
For surge protection and current protection at solar DC side.

DC Breaker

- ☑ UL489B PV standard
- ☑ IEC60947-2
- ☑ Over-load, short circuit Protection
- ☑ Non Polarity for easier wiring

DC SPD

- ☑ New IEC 61643, UL1449
- ☑ Designed for solar PV protection
- ☑ Higher capacity In 20KA (IEC, UL)
- ☑ Response time <25ns



Specification	
Model Number	BHS-4/4
Input	4 strings
Output	4 strings
Max Voltage	1000V
Rated Current of DC Breaker	32A/32A/32A/32A
Max Current Output	63A/63A/63A/63A
Enclosure	
Material	Polycarbonate/ABS
Degree of Protection	IP65
Impacts	IK10
Dimensions	L400*W500*H200mm
Input Cable Glands	PG09, 2.5-16
Output Cable Gland	PG21, 2.5-16
Environment	
Operating temperature	-25°C - +60°C

6 INPUT 2 OUTPUT

1000VDC

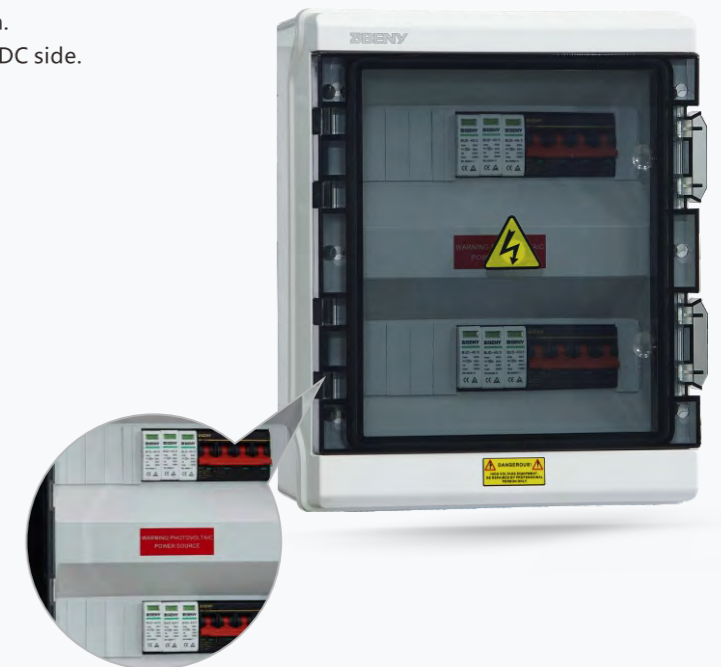
IP65 DC string box is designed for 6 string PV system.
For surge protection and current protection at solar DC side.

DC Breaker

- ☑ UL489B PV standard
- ☑ IEC60947-2
- ☑ Overload, short circuit Protection
- ☑ Non Polarity
- ☑ Anti re-flux protection

DC SPD

- ☑ New IEC 61643, UL1449
- ☑ Designed for solar PV protection
- ☑ Higher capacity In 20KA (IEC, UL)
- ☑ Response time <25ns



Specification	
Model Number	BHS-6/2
Input	6 strings
Output	2 strings
Max Voltage	1000V
Rated Current of DC Breaker	40A/40A
Max Current Output	63A/63A
Enclosure	
Material	Polycarbonate/ABS
Degree of Protection	IP65
Impacts	IK10
Dimensions	L302*W373*H131mm
Input Cable Glands	PG09, 2.5-16
Output Cable Gland	PG21, 2.5-16
Environment	
Operating temperature	-25°C - +60°C

Over-Load Protection Box

6 INPUT 3 OUTPUT 1000VDC

IP65 DC string box is designed for 6 string PV system.
For surge protection and current protection at solar DC side.

DC Breaker

- ☑ UL489B PV standard
- ☑ IEC60947-2
- ☑ Overload, short circuit Protection
- ☑ Non Polarity
- ☑ Anti re-flux protection

DC SPD

- ☑ New IEC 61643, UL1449
- ☑ Designed for solar PV protection
- ☑ Higher capacity In 20KA (IEC, UL)
- ☑ Response time <25ns



Specification	
Model Number	BHS-6/3
Input	6 strings
Output	3 strings
Max Voltage	1000V
Rated Current of DC Breaker	40A/40A/40A
Max Current Output	40A/40A/40A
Enclosure	
Material	Polycarbonate/ABS
Degree of Protection	IP65
Impacts	IK10
Dimensions	L313*W553*H149mm
Input Cable Glands	PG09, 2.5-16
Output Cable Gland	PG21, 2.5-16
Environment	
Operating temperature	-25°C - +60°C

6 INPUT 6 OUTPUT 1000VDC

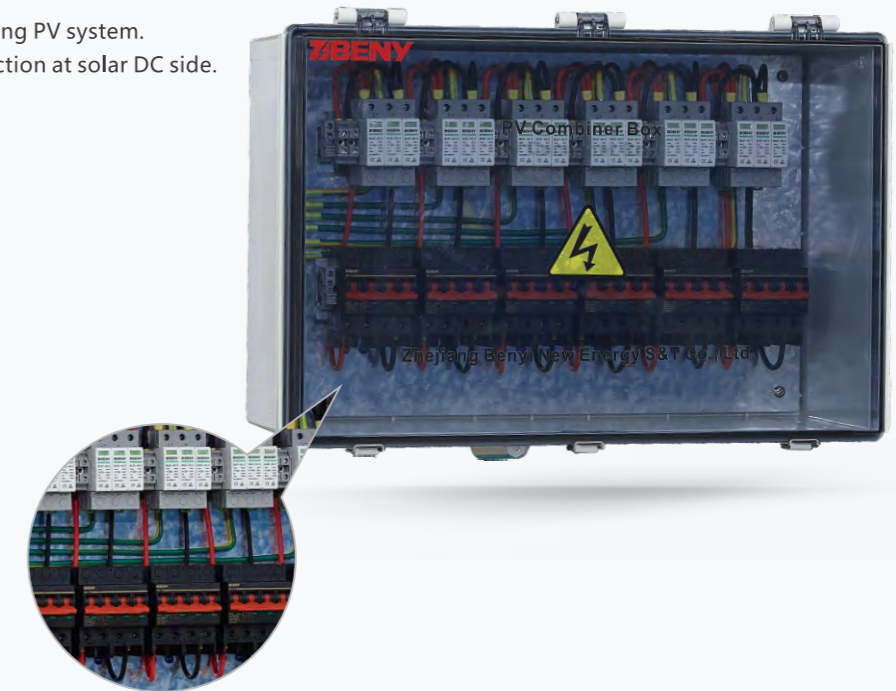
IP65 DC string box is designed for 6 string PV system.
For surge protection and current protection at solar DC side.

DC Breaker

- ☑ UL489B PV standard , IEC60947-2
- ☑ Over-load, short circuit Protection
- ☑ Non Polarity

DC SPD

- ☑ New IEC 61643, UL1449
- ☑ Designed for solar PV protection
- ☑ Higher capacity In 20KA (IEC, UL)
- ☑ Response time <25ns



Specification	
Model Number	BHS-6/6
Input	6 strings
Output	6 strings
Max Voltage	1000V
Rated Current of DC Breaker	32A/32A/32A/32A/32A/32A
Max Current Output	40A/40A/40A/40A/40A/40A
Enclosure	
Material	Polycarbonate/ABS
Degree of Protection	IP65
Impacts	IK10
Dimensions	L400*W600*H230mm
Input Cable Glands	PG09, 2.5-16
Output Cable Gland	PG21, 2.5-16
Environment	
Operating temperature	-25°C - +60°C

Over-Load Protection Box

Product Specification

KEEP INNOVATING

Solar Combiner Box SERIES



Solar DC String Box
1 in 1 out DC 1000V

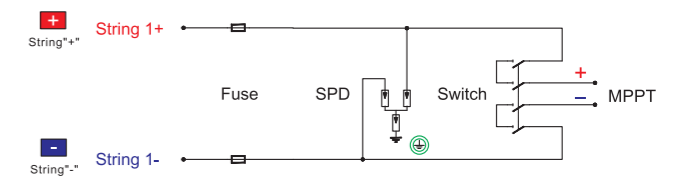


General Data		DC Surge Arrester	BUD-40/3
Model No.	BHS-1/1	Max Operation Voltage (Ucpv)	1000V
Input	1 string	Standard Compliance with	EN 50539 Type 2
Output	1 string	Maximum Discharge Current	40 KA
Maximum Voltage	1000V	Certification	TUV CE
Max DC Short Circuit Current Per Input (Isc)	15A (Changeable)		
Maximum Current Output	32A		
Enclosure		DC fuse holder	BR-30
Material Type	Polycarbonate/ABS	LED Indicator	Yes
Degree of Protection	IP65	Rated Working Voltage	1000V
Degree of Resistance to Impacts	IK10	Fuse Link	10x38mm LITTEL 15A
Dimension (WxHxD)	292 x 220 x 120mm	Certification	UL, CB, CE
Cable input Entry	PG09 Cable Gland, 2.5-16mm ²		
Output Cable Gland	PG21 2.5-16mm ²		
DC Switch Disconnecter		Environment	
Rated Insulation Voltage (Ui)	1000V	Operating Temperature	-20°C~+60°C
Rated Current (Ie)	32A	Humidity	99%
Category	DC21B/PV2	Altitude	2000M
Standard Compliance with	IEC 60947-3	Installation	Wall Mounting
Certification	UL, TUV, KEMA, SAA, CE		

Solar Combiner Box



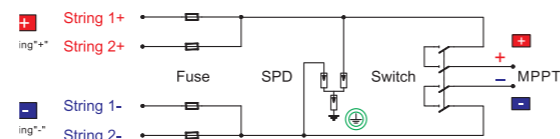
BHS-1/1



Solar Combiner Box
2 in 1 out DC 1000V



General Data		DC Surge Arrester	BUD-40/3
Model No.	BHS-2/1	Max Operation Voltage (Ucpv)	1000V
Input	2 strings	Standard Compliance with	EN 50539 Type 2
Output	1 string	Maximum Discharge Current	40 KA
Maximum Voltage	1000V	Certification	TUV CE
Max DC Short Circuit Current Per Input (Isc)	15A (Changeable)		
Maximum Current Output	32A		
Enclosure		DC fuse holder	BR-30
Material Type	Polycarbonate/ABS	LED Indicator	Yes
Degree of Protection	IP65	Rated Working Voltage	1000V
Degree of Resistance to Impacts	IK10	Fuse Link	10x38mm LITTEL 15A
Dimension (WxHxD)	292 x 220 x 120mm	Certification	UL, CB, CE
Cable input Entry	PG09 Cable Gland, 2.5-16mm ²		
Output Cable Gland	PG21 2.5-16mm ²		
DC Switch Disconnecter		Environment	
Rated Insulation Voltage (Ui)	1000V	Operating Temperature	-20°C~+60°C
Rated Current (Ie)	32A	Humidity	99%
Category	DC21B/PV2	Altitude	2000M
Standard Compliance with	IEC 60947-3	Installation	Wall Mounting
Certification	UL, TUV, KEMA, SAA, CE		



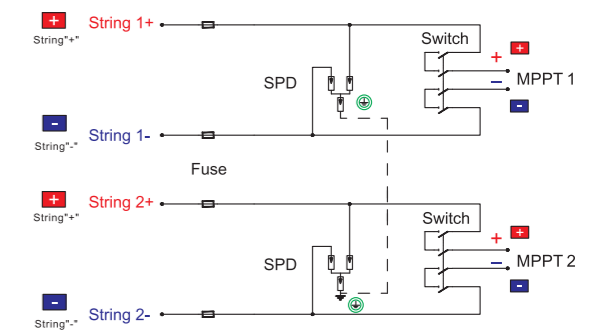
Solar DC String Box
2 in 2 out DC 1000V



General Data		DC Surge Arrester	BUD-40/3
Model No.	BHS-2/2	Max Operation Voltage (Ucpv)	1000V
Input	2 strings	Standard Compliance with	EN 50539 Type 2
Output	2 strings	Maximum Discharge Current	40 KA
Maximum Voltage	1000V	Certification	TUV CE
Max DC Short Circuit Current Per Input (Isc)	15A (Changeable)		
Maximum Current Output	32A		
Enclosure		DC fuse holder	BR-30
Material Type	Polycarbonate/ABS	LED Indicator	Yes
Degree of Protection	IP65	Rated Working Voltage	1000V
Degree of Resistance to Impacts	IK10	Fuse Link	10x38mm LITTEL 15A
Dimension (WxHxD)	292 x 370 x 132mm	Certification	UL, CB, CE
Cable input Entry	PG09 Cable Gland, 2.5-16mm ²		
Output Cable Gland	PG21 2.5-16mm ²		
DC Switch Disconnecter		Environment	
Rated Insulation Voltage (Ui)	1000V	Operating Temperature	-20°C~+60°C
Rated Current (Ie)	32A	Humidity	99%
Category	DC21B/PV2	Altitude	2000M
Standard Compliance with	IEC 60947-3	Installation	Wall Mounting
Certification	UL, TUV, KEMA, SAA, CE		



BHS-2/2



Solar Combiner Box

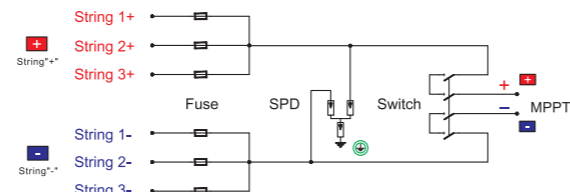
Solar Combiner Box
3 in 1 out DC 1000V



General Data		DC Surge Arrester	
Model No.	BHS-3/1	BUD-40/3	
Input	3 strings	Max Operation Voltage (Ucpv)	1000V
Output	1 string	Standard Compliance with	EN 50539 Type 2
Maximum Voltage	1000V	Maximum Discharge Current	40 KA
Max DC Short Circuit Current Per Input (Isc)	15A (Changeable)	Certification	TUV CE
Maximum Current Output	32A		
Enclosure		DC fuse holder	
BX-13		BR-30	
Material Type	Polycarbonate/ABS	LED Indicator	Yes
Degree of Protection	IP65	Rated Working Voltage	1000V
Degree of Resistance to Impacts	IK10	Fuse Link	10x38mm LITTEL 15A
Dimension (WxHxD)	292 x 220 x 120mm	Certification	UL, CB, CE
Cable input Entry	PG09 Cable Gland, 2.5-16mm ²		
Output Cable Gland	PG21 2.5-16mm ²		
DC Switch Disconnecter		Environment	
BYT.2-32			
Rated Insulation Voltage (Ui)	1000V	Operating Temperature	-20°C~+60°C
Rated Current (Ie)	32A	Humidity	99%
Category	DC21B/PV2	Altitude	2000M
Standard Compliance with	IEC 60947-3	Installation	Wall Mounting
Certification	UL, TUV, KEMA, SAA, CE		



BHS-3/1



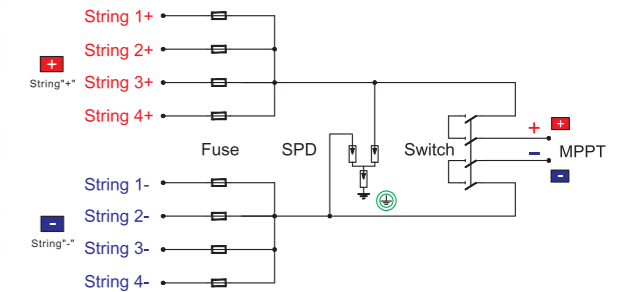
Solar Combiner Box
4 in 1 out DC 1000V



General Data		DC Surge Arrester	
Model No.	BHS-4/1	BUD-40/3	
Input	4 strings	Max Operation Voltage (Ucpv)	1000V
Output	1 string	Standard Compliance with	EN 50539 Type 2
Maximum Voltage	1000V	Maximum Discharge Current	40 KA
Max DC Short Circuit Current Per Input (Isc)	15A (Changeable)	Certification	TUV CE
Maximum Current Output	63A		
Enclosure		DC fuse holder	
BX-26		BR-30	
Material Type	Polycarbonate/ABS	LED Indicator	Yes
Degree of Protection	IP65	Rated Working Voltage	1000V
Degree of Resistance to Impacts	IK10	Fuse Link	10x38mm LITTEL 15A
Dimension (WxHxD)	292 x 370 x 132mm	Certification	UL, CB, CE
Cable input Entry	PG09 Cable Gland, 2.5-16mm ²		
Output Cable Gland	PG21 2.5-16mm ²		
DC Switch Disconnecter		Environment	
BB1H-63			
Rated Insulation Voltage (Ui)	1000V	Operating Temperature	-20°C~+60°C
Rated Current (Ie)	63A	Humidity	99%
Category	DC21B	Altitude	2000M
Standard Compliance with	IEC 60947-3	Installation	Wall Mounting
Certification	CB, CE		



BHS-4/1



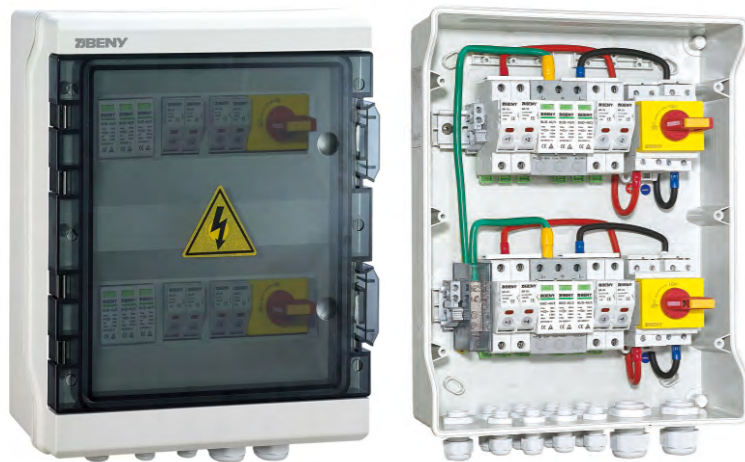
Solar Combiner Box



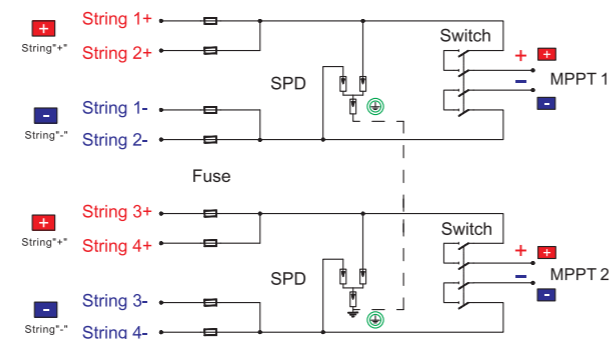
Solar Combiner Box
4 in 2 out DC 1000V



General Data		DC Surge Arrester	BUD-40/3
Model No.	BHS-4/2	Max Operation Voltage (Ucpv)	1000V
Input	4 strings	Standard Compliance with	EN 50539 Type 2
Output	2 strings	Maximum Discharge Current	40 KA
Maximum Voltage	1000V	Certification	TUV CE
Max DC Short Circuit Current Per Input (Isc)	15A (Changeable)		
Maximum Current Output	32A		
Enclosure		DC fuse holder	BR-30
Material Type	Polycarbonate/ABS	LED Indicator	Yes
Degree of Protection	IP65	Rated Working Voltage	1000V
Degree of Resistance to Impacts	IK10	Fuse Link	10x38mm LITTEL 15A
Dimension (WxHxD)	292 x370 x 132mm	Certification	UL, CB, CE
Cable input Entry	PG09 Cable Gland, 2.5-16mm ²		
Output Cable Gland	PG21 2.5-16mm ²		
DC Switch Disconnecter		Environment	
Rated Insulation Voltage (Ui)	1000V	Operating Temperature	-20°C~+60°C
Rated Current (Ie)	32A	Humidity	99%
Category	DC21B/PV2	Altitude	2000M
Standard Compliance with	IEC 60947-3	Installation	Wall Mounting
Certification	UL, TUV, KEMA, SAA, CE		



BHS-4/2



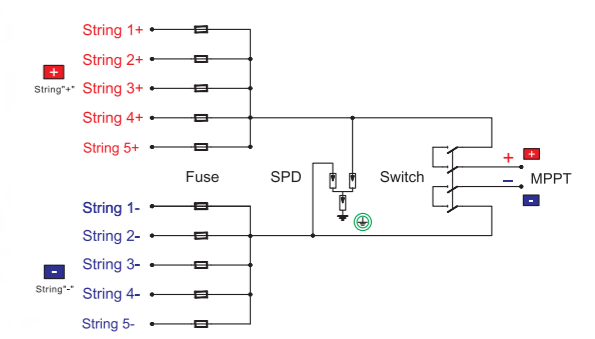
Solar Combiner Box
5 in 1 out DC 1000V



General Data		DC Surge Arrester	BUD-40/3
Model No.	BHS-5/1	Max Operation Voltage (Ucpv)	1000V
Input	5 strings	Standard Compliance with	EN 50539 Type 2
Output	1 string	Maximum Discharge Current	40 KA
Maximum Voltage	1000V	Certification	TUV CE
Max DC Short Circuit Current Per Input (Isc)	15A (Changeable)		
Maximum Current Output	63A		
Enclosure		DC fuse holder	BR-30
Material Type	Polycarbonate/ABS	LED Indicator	Yes
Degree of Protection	IP65	Rated Working Voltage	1000V
Degree of Resistance to Impacts	IK10	Fuse Link	10x38mm LITTEL 15A
Dimension (WxHxD)	292 x 370x 132mm	Certification	UL, CB, CE
Cable input Entry	PG09 Cable Gland, 2.5-16mm ²		
Output Cable Gland	PG21 2.5-16mm ²		
DC Switch Disconnecter		Environment	
Rated Insulation Voltage (Ui)	1000V	Operating Temperature	-20°C~+60°C
Rated Current (Ie)	63A	Humidity	99%
Category	DC21B	Altitude	2000M
Standard Compliance with	IEC 60947-3	Installation	Wall Mounting
Certification	CB, CE		



BHS-5/1



Solar Combiner Box



Solar Combiner Box

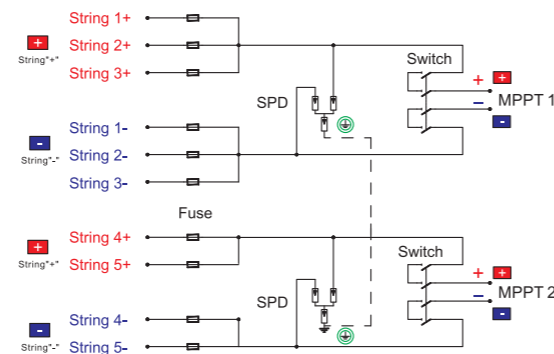
5 in 2 out DC 1000V



General Data		DC Surge Arrester	BUD-40/3
Model No.	BHS-5/2	Max Operation Voltage (Ucpv)	1000V
Input	5 strings	Standard Compliance with	EN 50539 Type 2
Output	2 strings	Maximum Discharge Current	40 KA
Maximum Voltage	1000V	Certification	TUV CE
Max DC Short Circuit Current Per Input (Isc)	15A (Changeable)		
Maximum Current Output	32A		
Enclosure		DC fuse holder	BR-30
Material Type	Polycarbonate/ABS	LED Indicator	Yes
Degree of Protection	IP65	Rated Working Voltage	1000V
Degree of Resistance to Impacts	IK10	Fuse Link	10x38mm LITTEL 15A
Dimension (WxHxD)	292 x370 x 132mm	Certification	UL, CB, CE
Cable input Entry	PG09 Cable Gland, 2.5-16mm ²		
Output Cable Gland	PG21 2.5-16mm ²		
DC Switch Disconnecter		Environment	
Rated Insulation Voltage (Ui)	1000V	Operating Temperature	-20°C~+60°C
Rated Current (Ie)	32A	Humidity	99%
Category	DC21B/PV2	Altitude	2000M
Standard Compliance with	IEC 60947-3	Installation	Wall Mounting
Certification	UL, TUV, KEMA, SAA, CE		



BHS-5/2

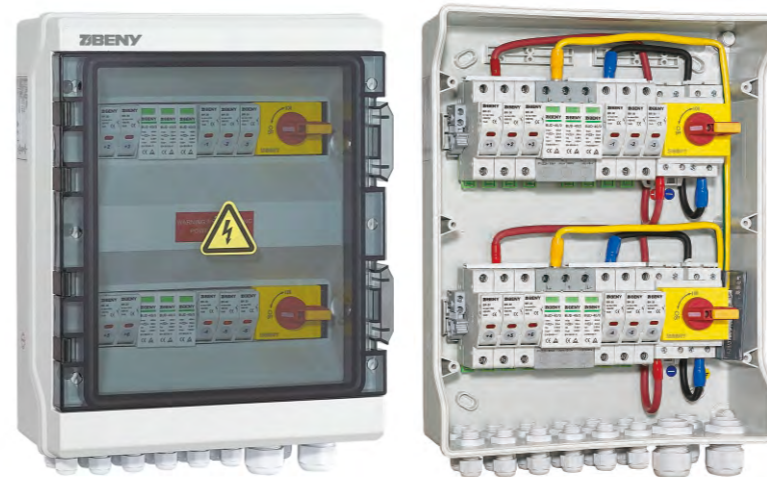


Solar Combiner Box

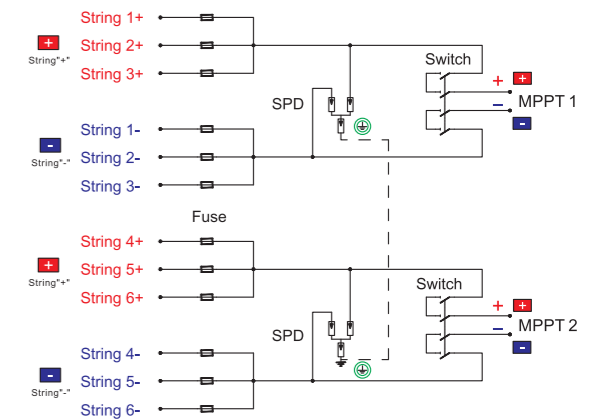
6 in 2 out DC 1000V



General Data		DC Surge Arrester	BUD-40/3
Model No.	BHS-6/2	Max Operation Voltage (Ucpv)	1000V
Input	6 strings	Standard Compliance with	EN 50539 Type 2
Output	2 strings	Maximum Discharge Current	40 KA
Maximum Voltage	1000V	Certification	TUV CE
Max DC Short Circuit Current Per Input (Isc)	15A (Changeable)		
Maximum Current Output	32A		
Enclosure		DC fuse holder	BR-30
Material Type	Polycarbonate/ABS	LED Indicator	Yes
Degree of Protection	IP65	Rated Working Voltage	1000V
Degree of Resistance to Impacts	IK10	Fuse Link	10x38mm LITTEL 15A
Dimension (WxHxD)	292 x 370x 132mm	Certification	UL, CB, CE
Cable input Entry	PG09 Cable Gland, 2.5-16mm ²		
Output Cable Gland	PG21 2.5-16mm ²		
DC Switch Disconnecter		Environment	
Rated Insulation Voltage (Ui)	1000V	Operating Temperature	-20°C~+60°C
Rated Current (Ie)	32A	Humidity	99%
Category	DC21B/PV2	Altitude	2000M
Standard Compliance with	IEC 60947-3	Installation	Wall Mounting
Certification	UL, TUV, KEMA, SAA, CE		



BHS-6/2



Solar Combiner Box



Solar DC String Box
1 in 1 out 600V



General Data		DC Surge Arrester	BUD-40/2
Model No.	BHS-1M 600V	Max Operation Voltage (Ucpv)	600V
Input	1 string	Standard Compliance with	EN 50539 Type 2
Output	1 string	Maximum Discharge Current	40 KA
Maximum Voltage	600V	Certification	TUV CE
Maximum Current Output	32A		
Enclosure		Environment	
Material Type	BX-08 Polycarbonate/ABS	Operating Temperature	-20°C~+60°C
Degree of Protection	IP65	Humidity	99%
Degree of Resistance to Impacts	IK10	Altitude	2000M
Dimension (WxHxD)	210 x 194 x 120mm	Installation	Wall Mounting
Cable input Entry	MC4		
Output Cable Gland	MC4		
DC Switch Disconnecter			
Rated Insulation Voltage (Ui)	600V		
Rated Current (Ie)	32A		
Category	DC21B/PV2		
Standard Compliance with	IEC 60947-3		
Certification	UL, TUV,KEMA,SAA,CE		



Solar DC Combiner Box
2 in 1 out 600V

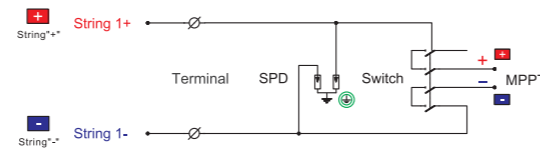


General Data		DC Surge Arrester	BUD-40/2
Model No.	BHS-2M 600V	Max Operation Voltage (Ucpv)	600V
Input	2 string	Standard Compliance with	EN 50539 Type 2
Output	1 string	Maximum Discharge Current	40 KA
Maximum Voltage	600V	Certification	TUV CE
Maximum Current Output	32A		
Enclosure		Environment	
Material Type	BX-08 Polycarbonate/ABS	Operating Temperature	-20°C~+60°C
Degree of Protection	IP65	Humidity	99%
Degree of Resistance to Impacts	IK10	Altitude	2000M
Dimension (WxHxD)	210 x 194 x 120mm	Installation	Wall Mounting
Input	MC4		
Output	MC4		
DC Switch Disconnecter			
Rated Insulation Voltage (Ui)	600V		
Rated Current (Ie)	32A		
Category	DC21B/PV2		
Standard Compliance with	IEC 60947-3		
Certification	UL, TUV,KEMA,SAA,CE		

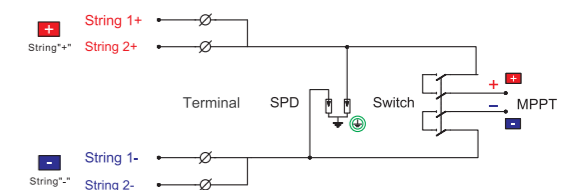
Solar Combiner Box



BHS-1/1M 600V



BHS-2/1M 600V





Solar DC String Box

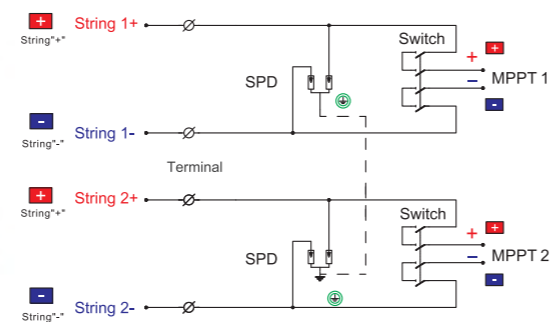
2 in 2 out 600V



General Data		DC Surge Arrester	BUD-40/2	
Model No.	BHS-2M 600V	Max Operation Voltage (Ucpv)	600V	
Input	2 string	Standard Compliance with	EN 50539 Type 2	
Output	2 string	Maximum Discharge Current	40 KA	
Maximum Voltage	600V	Certification	TUV CE	
Maximum Current Output	32A			
Enclosure		Environment		
Material Type	BX-15	Polycarbonate/ABS	Operating Temperature	-20°C~+60°C
Degree of Protection	IP65		Humidity	99%
Degree of Resistance to Impacts	IK10		Altitude	2000M
Dimension (WxHxD)	331 x 210 x 122mm		Installation	Wall Mounting
Input	MC4			
Output	MC4			
DC Switch Disconnecter		BYT.2-32		
Rated Insulation Voltage (Ui)	600V			
Rated Current (Ie)	32A			
Category	DC21B/PV2			
Standard Compliance with	IEC 60947-3			
Certification	UL, TUV,KEMA,SAA,CE			



BHS-2-2M 600V



Solar DC String Box

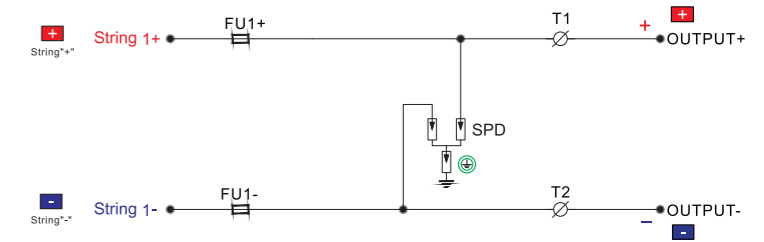
1 in 1 out DC 1000V



General Data		DC Surge Arrester	BUD-S1000	
Model No.	BHS-1/1	Max Operation Voltage (Ucpv)	1000V	
Input	1 string	Standard Compliance with	EN 50539 Type 1+2	
Output	1 string	Maximum Discharge Current	40 KA	
Maximum Voltage	1000V	Certification	TUV CE	
Max DC Short Circuit Current Per Input (Isc)	15A(Changeable)			
Maximum Current Output	15A			
Enclosure		Environment		
Material Type	BX-08	Polycarbonate/ABS	Operating Temperature	-20°C~+60°C
Degree of Protection	IP65		Humidity	99%
Degree of Resistance to Impacts	IK10		Altitude	2000M
Dimension (WxHxD)	197x210x120mm		Installation	Wall Mounting
Cable input Entry	PG09 Cable Gland,4-8mm ²			
Output Cable Gland	PG09 Cable Gland,4-8mm ²			
DC fuse holder		BR-30		
LED Indicator	Yes			
Rated Working Voltage	1000V			
Fuse Link	10×38mm OANISO 15A			
Certification	UL,CB,CE			



BHS-1/1



Solar Combiner Box

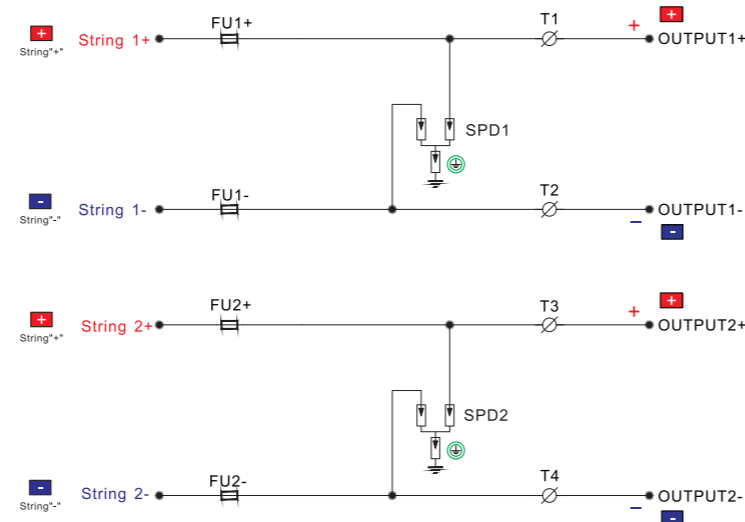
Solar DC String Box
2 in 2 out DC 1000V



General Data		DC Surge Arrester	
Model No.	BHS-2/2	BUD-S1000	
Input	2 strings	Max Operation Voltage (Ucpv)	1000V
Output	2 strings	Standard Compliance with	EN 50539 Type 1+2
Maximum Voltage	1000V	Maximum Discharge Current	40 KA
Max DC Short Circuit Current Per Input (Isc)	15A(Changeable)	Certification	TUV CE
Maximum Current Output	15A		
Enclosure		Environment	
BX-26		BX-26	
Material Type	Polycarbonate/ABS	Operating Temperature	-20°C~+60°C
Degree of Protection	IP65	Humidity	99%
Degree of Resistance to Impacts	IK10	Altitude	2000M
Dimension (WxHxD)	304x373x132mm	Installation	Wall Mounting
Cable input Entry	PG09 Cable Gland,4-8mm ²		
Output Cable Gland	PG09 Cable Gland,4-8mm ²		
DC fuse holder		Environment	
BR-30		BR-30	
LED Indicator	Yes	Operating Temperature	-20°C~+60°C
Rated Working Voltage	1000V	Humidity	99%
Fuse Link	10×38mm OANISO 15A	Altitude	2000M
Certification	UL,CB,CE	Installation	Wall Mounting



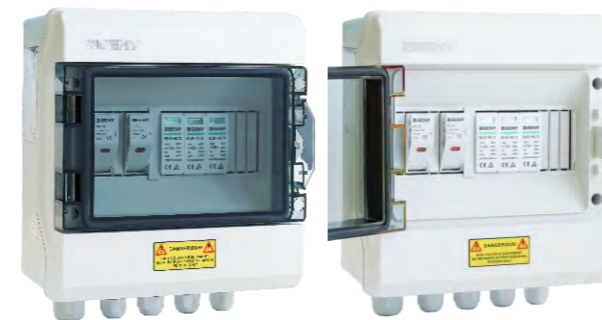
BHS-2/2



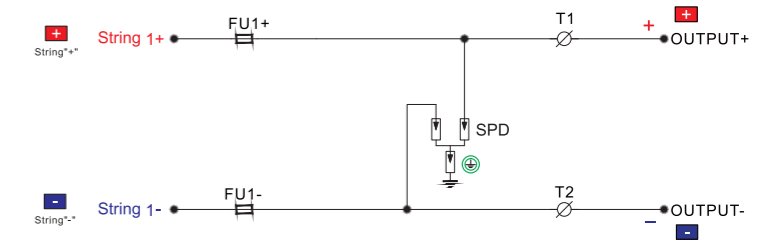
Solar DC String Box
1 in 1 out DC 1000V



General Data		DC Surge Arrester	
Model No.	BHS-1/1	BUD-40/3	
Input	1 string	Max Operation Voltage (Ucpv)	1000V
Output	1 string	Standard Compliance with	EN 50539 Type 2
Maximum Voltage	1000V	Maximum Discharge Current	40 KA
Max DC Short Circuit Current Per Input (Isc)	15A(Changeable)	Certification	TUV CE
Maximum Current Output	15A		
Enclosure		Environment	
BX-08		BX-08	
Material Type	Polycarbonate/ABS	Operating Temperature	-20°C~+60°C
Degree of Protection	IP65	Humidity	99%
Degree of Resistance to Impacts	IK10	Altitude	2000M
Dimension (WxHxD)	197x210x120mm	Installation	Wall Mounting
Cable input Entry	PG09 Cable Gland,4-8mm ²		
Output Cable Gland	PG09 Cable Gland,4-8mm ²		
DC fuse holder		Environment	
BR-30		BR-30	
LED Indicator	Yes	Operating Temperature	-20°C~+60°C
Rated Working Voltage	1000V	Humidity	99%
Fuse Link	10×38mm OANISO 15A	Altitude	2000M
Certification	UL,CB,CE	Installation	Wall Mounting



BHS-1/1

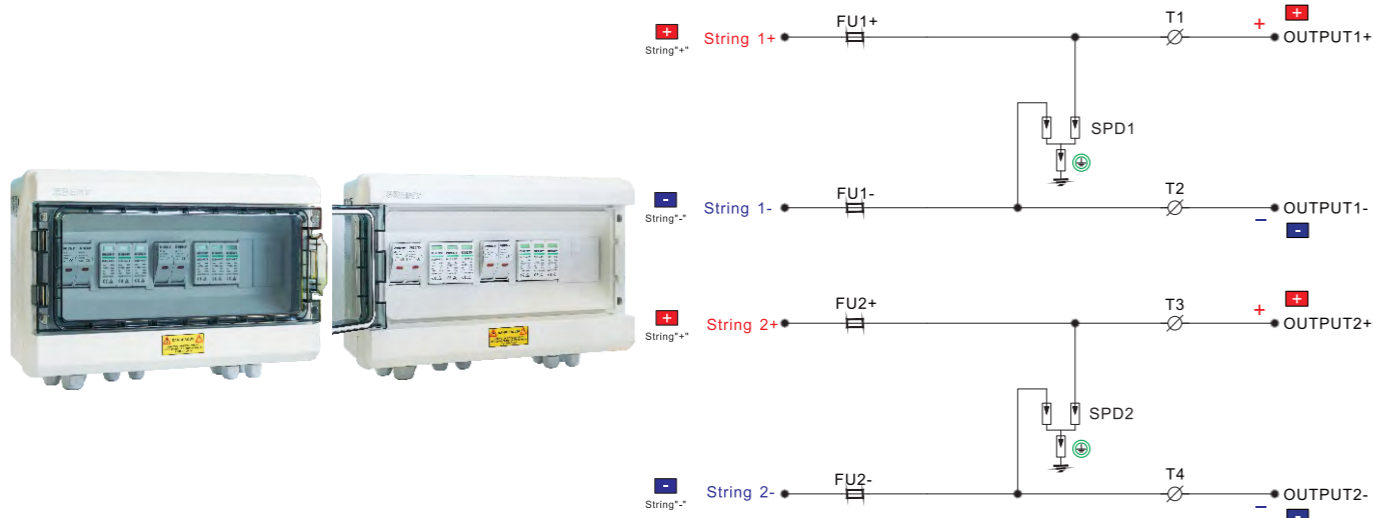


Solar Combiner Box

Solar DC String Box
2 in 2 out DC 1000V



General Data		DC Surge Arrester	BUD-40/3
Model No.	BHS-2/2	Max Operation Voltage (Ucpv)	1000V
Input	2 strings	Standard Compliance with	EN 50539 Type 1+2
Output	2 strings	Maximum Discharge Current	40 KA
Maximum Voltage	1000V	Certification	TUV CE
Max DC Short Circuit Current Per Input (Isc)	15A(Changeable)		
Maximum Current Output	15A		
Enclosure		Environment	
Material Type	Polycarbonate/ABS	Operating Temperature	-20°C~+60°C
Degree of Protection	IP65	Humidity	99%
Degree of Resistance to Impacts	IK10	Altitude	2000M
Dimension (WxHxD)	334x210x122mm	Installation	Wall Mounting
Cable input Entry	PG09 Cable Gland,4-8mm ²		
Output Cable Gland	PG09 Cable Gland,4-8mm ²		
DC fuse holder			
LED Indicator	Yes		
Rated Working Voltage	1000V		
Fuse Link	10×38mm OANISO 15A		
Certification	UL,CE,CE		



BHS-2/2

Product Specification

KEEP INNOVATING

DC + AC Combiner SERIES



DC+AC Combiner Box



DC+AC FOR SOLAR 1 STRING



IP65 DC + AC box includes the DC and AC protection for solar PV system.
 Over-voltage and over-load protection for solar DC side.
 AC breaker and AC surge arrester at AC side.
 An isolating plastic plate between DC components and AC components ensure safety operating.



DC Breaker

- UL508i approval and design, IEC60947
- Over load protection
- Non-polarity for easier wiring

DC SPD

- New IEC 61643, UI1449
- Designed for solar PV protection
- Higher capacity In 20KA (IEC, UL)
- Response time <25ns

Specification			Enclosure	
Model Number	BHT-1/1		Material	Powder Coating Metal
Input	1 strings		Degree of Protection	IP65
Output	1 strings		Impacts	IK10
Max Voltage	600V	1000V	Dimensions (W*H*D)	300*300*150
Max Current Output	15A	15A	Input Cable Glands	PG09, 2.5-16
	63A	40A	Output Cable Gland	PG21, 2.5-16
AC Breaker	220V 20A-63A		Environment	
AC SPD	275V AC		Operating temperature	-25°C - +60°C

DC+AC FOR SOLAR 2 STRINGS



DC Breaker

- UL508i approval and design, IEC60947
- Over load protection
- Non-polarity for easier wiring

DC SPD

- New IEC 61643, UI1449
- Designed for solar PV protection
- Higher capacity In 20KA (IEC, UL)
- Response time <25ns



Specification			Enclosure	
Model Number	BHT-2/2		Material	Powder Coating Metal
Input	2 strings		Degree of Protection	IP65
Output	2 strings		Impacts	IK10
Max Voltage	600V	1000V	Dimensions (W*H*D)	400*300*150
Max Current Output	15A	15A	Input Cable Glands	PG09, 2.5-16
	63A	40A	Output Cable Gland	PG21, 2.5-16
AC Breaker	220V 20A-63A		Environment	
AC SPD	275V AC		Operating temperature	-25°C - +60°C

Product Specification

KEEP INNOVATING

Solar Combiner Box SERIES



AC Box BBWX AC Distribution Box



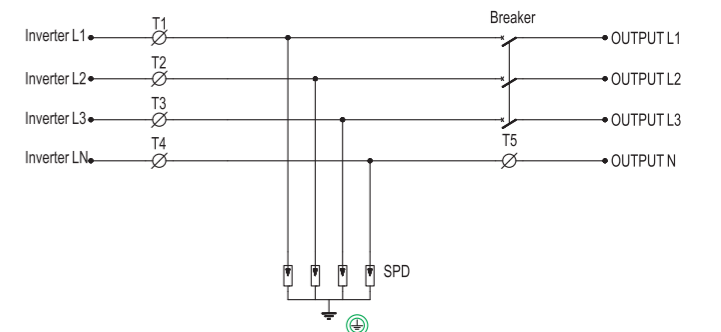
General Data		AC Surge Arrester	
Model No.	BBWX	Electric rating	220V~440V, 50-60HZ
Rated Voltage	AC 220V~400V	Maximum Discharge Current	40 KA
Rated Current	0-125A	Standard Compliance with	EN 61643-11
Rated frequency	50-60Hz	Certification	CE

Enclosure		Environment	
Material Type	Polycarbonate/ABS	Operating Temperature	-20°C~+60°C
Degree of Protection	IP65	Humidity	99%
Degree of Resistance to Impacts	IK10	Altitude	2000M
Dimension (WxHxD)	292 x 220x 120mm	Installation	Wall Mounting
Cable input Entry	PG25 2.5-25mm ²		
Output Cable Gland	PG25 2.5-25mm ²		

Modular measurement and control relays	
Network number of phases	Single Phase/3 Phases
Rated Current	0-125A
Measurement range	220V~400V voltage AC
Supply frequency	50~60 Hz ± 10%



BBWX





Type B RCD Box

1 in 1 out AC 400V



General Data		Miniature circuit Breaker	NB1-63H/3P B25A
Model No.	BBWX-1/1	Rated Voltage (Ue)	400VAC
Input	1 string	Rated Current (In)	25A
Output	1 string	Standard Compliance with	IEC 60898-1, GB/T 10963.1
Maximum Voltage	400V	Certification	CE, CCC, SEMKO
Max DC Short Circuit Current Per Input (Isc)	25A (Changeable)	Instantaneous trip type	Type B
Maximum Current Output	25A		
Enclosure		Environment	
Material Type	BX-08 Polycarbonate/ABS	Operating Temperature	-20°C~+60°C
Degree of Protection	IP65	Humidity	99%
Degree of Resistance to Impacts	IK10	Altitude	2000M
Dimension (WxHxD)	197x210x120mm	Installation	Wall Mounting
Cable input Entry	PG25 Cable Gland, 13-21mm ²		
Output Cable Gland	PG25 Cable Gland, 13-21mm ²		
Residual current circuit Breaker		NL210	
Rated Voltage (Ue)	AC 400V/415V		
Rated Current (In)	25A		
Standard Compliance with	IEC 61008-1 62423, GB/T 16916.1 22794		
Certification	CE, CCC, KEMA-KEUR		
Rated residual action current	0.3A		



Type B RCD Box

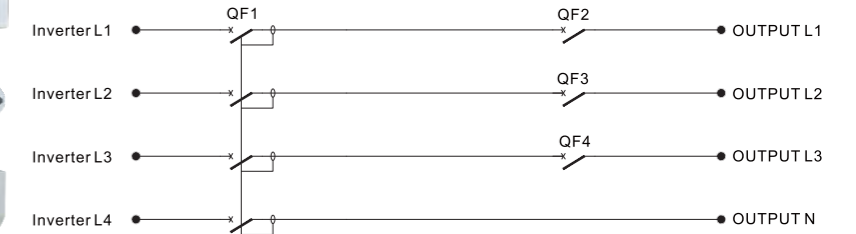
1 in 3 out AC 400V



General Data		Miniature circuit Breaker	NB1-63H/1P B16A
Model No.	BBWX-1/3	Rated Voltage (Ue)	400VAC
Input	1 string	Rated Current (In)	16A
Output	3 strings	Standard Compliance with	IEC 60898-1, GB/T 10963.1
Maximum Voltage	400V	Certification	CE, CCC, SEMKO
Max DC Short Circuit Current Per Input (Isc)	25A (Changeable)	Instantaneous trip type	Type B
Maximum Current Output	16A		
Enclosure		Environment	
Material Type	BX-08 Polycarbonate/ABS	Operating Temperature	-20°C~+60°C
Degree of Protection	IP65	Humidity	99%
Degree of Resistance to Impacts	IK10	Altitude	2000M
Dimension (WxHxD)	197x210x120mm	Installation	Wall Mounting
Cable input Entry	PG25 Cable Gland, 13-21mm ²		
Output Cable Gland	PG13.5 Cable Gland, 6.7-12mm ²		
Residual current circuit Breaker		NL210	
Rated Voltage (Ue)	AC 400V/415V		
Rated Current (In)	25A		
Standard Compliance with	IEC 61008-1 62423, GB/T 16916.1 22794		
Certification	CE, CCC, KEMA-KEUR		
Rated residual action current	0.3A		



BBWX-1/1



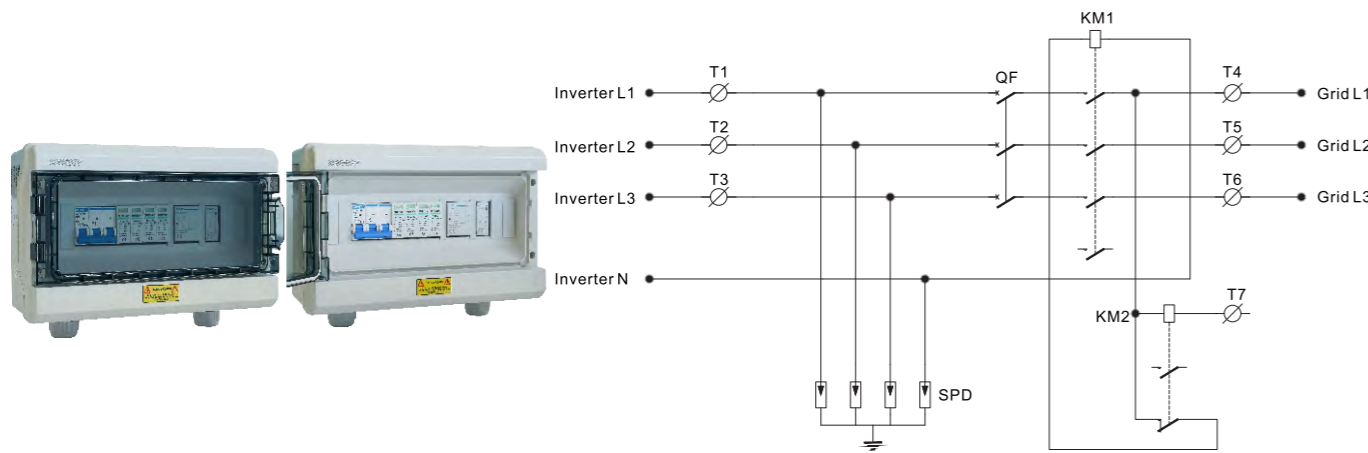
BBWX-1/3



AC Contactor Box
1 in 1 out AC 400V



General Data		Miniature circuit Breaker	NXB-63H/3P
Model No.	BBWX-1/1	Rated Voltage (Ue)	400VAC
Input	1 string	Rated Current (In)	25A
Output	1 string	Standard Compliance with	IEC 60898-1,GB/T 10963.1
Maximum Voltage	400V	Certification	CE,CCC
Max DC Short Circuit Current Per Input (Isc)	16A(Changeable)	Instantaneous trip type	Type B
Maximum Current Output	16A		
Enclosure		AC contactor	NCH8-25/40
Material Type	Polycarbonate/ABS	Rated operating Voltage (Ue)	AC 400V
Degree of Protection	IP65	Rated operating Current (In)	25A
Degree of Resistance to Impacts	IK10	Standard Compliance with	IEC/EN 61095,GB/T 17885
Dimension (WxHxD)	334x210x122mm	Certification	CE,CCC
Cable input Entry	PG25 Cable Gland,13-21mm ²	Normally open contact	4pole
Output Cable Gland	PG25 Cable Gland,13-21mm ²	Normally closed contact	0pole
AC Surge Arrester		Environment	
Max Operation Voltage (Ucpv)	385V	Operating Temperature	-20°C~+60°C
Standard Compliance with	EN 50539 Type 2	Humidity	99%
Maximum Discharge Current	40 KA	Altitude	2000M
Certification	TUV CE	Installation	Wall Mounting



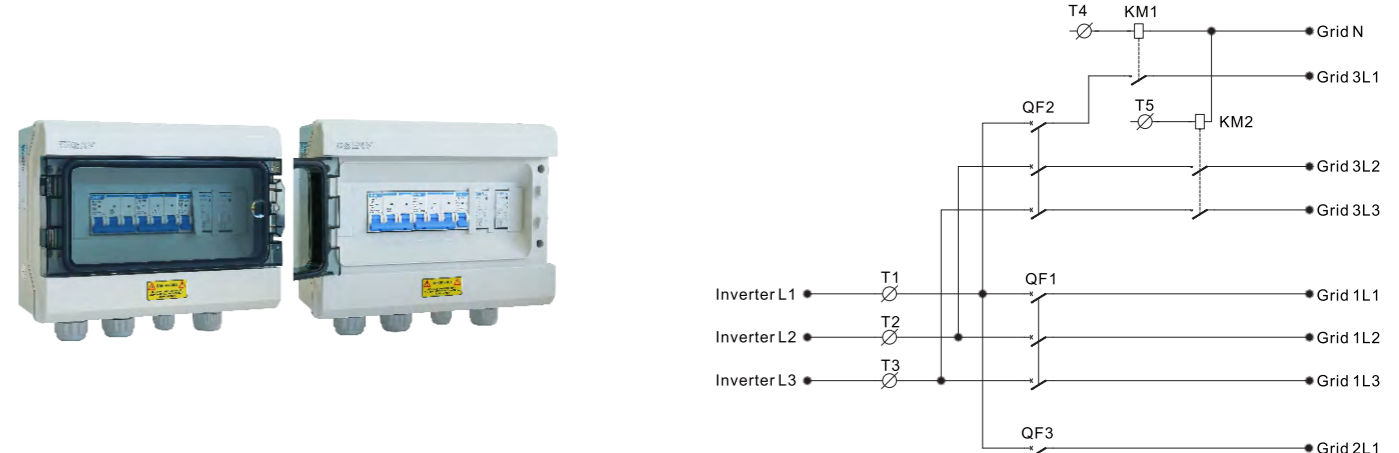
BBWX-1/1



AC Contactor Box
1 in 3 out AC 400V



General Data		Miniature circuit Breaker	NXB-63H/3P
Model No.	BBWX-1/3	Rated Voltage (Ue)	400VAC
Input	1 string	Rated Current (In)	20A
Output	3 strings	Standard Compliance with	IEC 60898-1,GB/T 10963.1
Maximum Voltage	400V	Certification	CE,CCC
Max DC Short Circuit Current Per Input (Isc)	20A(Changeable)	Instantaneous trip type	Type C
Maximum Current Output	20A		
Enclosure		AC contactor	NCH8-20/20
Material Type	Polycarbonate/ABS	Rated operating Voltage (Ue)	AC 400V
Degree of Protection	IP65	Rated operating Current (In)	20A
Degree of Resistance to Impacts	IK10	Standard Compliance with	IEC/EN 61095,GB/T 17885
Dimension (WxHxD)	292x220x120mm	Certification	CE,CCC
Cable input Entry	PG25 Cable Gland,13-21mm ²	Normally open contact	2pole
Output Cable Gland	PG25+PG13.5 Cable Gland,13-21mm ² ,6.7-12mm ²	Normally closed contact	0pole
		Environment	
		Operating Temperature	-20°C~+60°C
		Humidity	99%
		Altitude	2000M
		Installation	Wall Mounting



BBWX-1/3

Product Specification

KEEP INNOVATING

PV Waterproof Box

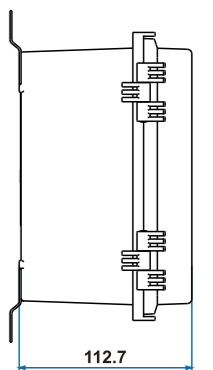
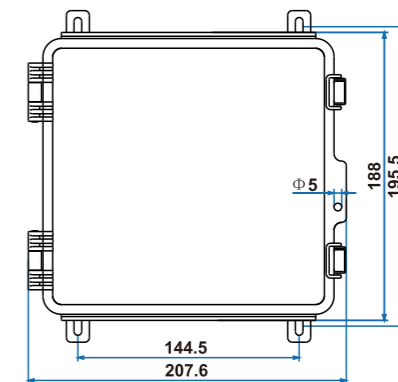


 **PV Waterproof Box**



Protection	
Protection class	IP 66
Insulation	Class II
Material	polycarbonate/ABS
Shock resistance	IK10
Protection against chemicals and weather conditions	Water, saline solutions, acids, basics, mineral oils, UV rays
Operating temperature	-25°C~+100°C
Performance	
Nominal insulation voltage	1000V AC~1500V DC
Flexibility WxHxD, external dimensions	208x188x113mm

Unit:mm



BX191811

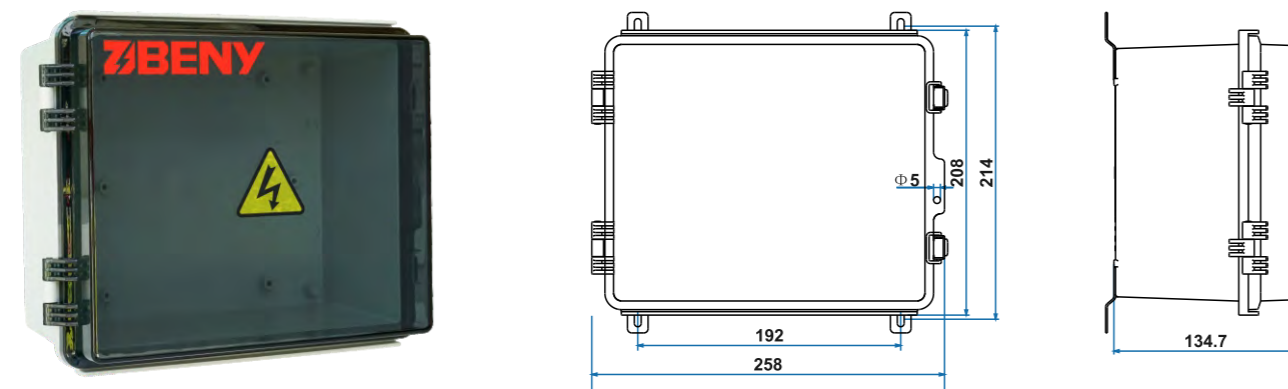


 PV Waterproof Box



Protection	
Protection class	IP 66
Insulation	Class II
Material	polycarbonate/ABS
Shock resistance	IK10
Protection against chemicals and weather conditions	Water, saline solutions, acids, basics, mineral oils, UV rays
Operating temperature	-25°C~+100°C
Performance	
Nominal insulation voltage	1000V AC~1500V DC
Flexibility WxHxD, external dimensions	258x208x135mm

Unit:mm



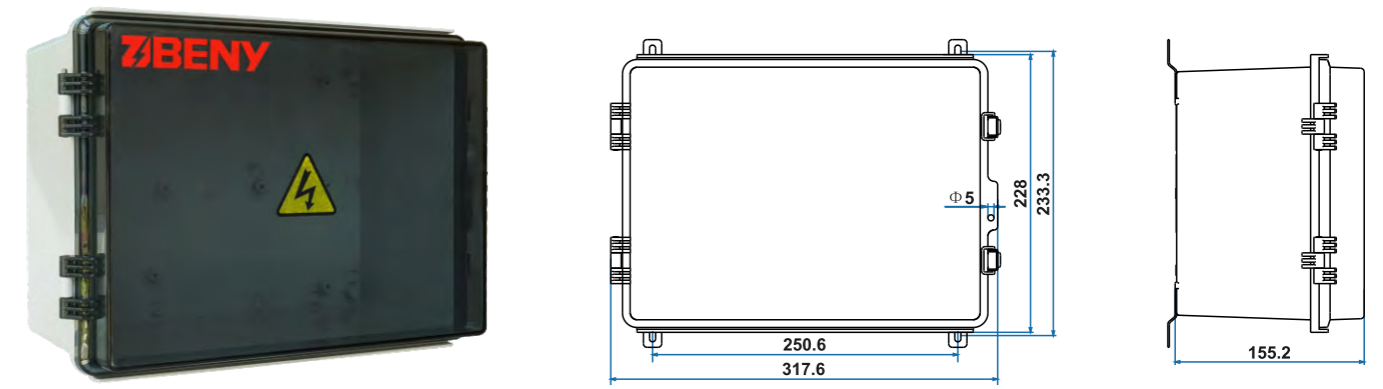
BX242013

 PV Waterproof Box



Protection	
Protection class	IP 66
Insulation	Class II
Material	polycarbonate/ABS
Shock resistance	IK10
Protection against chemicals and weather conditions	Water, saline solutions, acids, basics, mineral oils, UV rays
Operating temperature	-25°C~+100°C
Performance	
Nominal insulation voltage	1000V AC~1500V DC
Flexibility WxHxD, external dimensions	318x228x155mm

Unit:mm



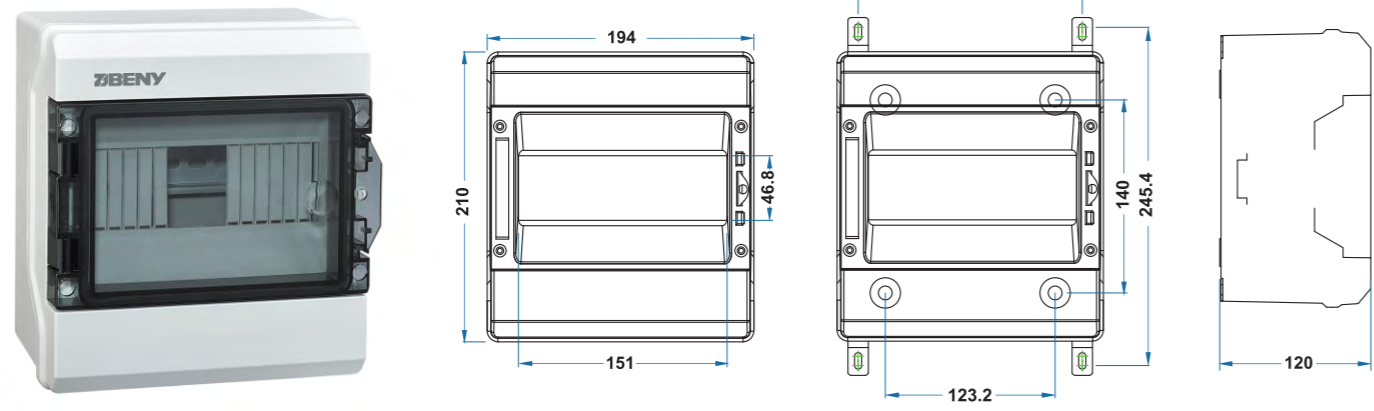
BX302215

PV Waterproof Box
08 Modules



Protection	
Protection class	IP 65
Insulation	Class II
Material	polycarbonate/ABS
Shock resistance	IK10
Protection against chemicals and weather conditions	Water, saline solutions, acids, basics, mineral oils, UV rays
Operating temperature	-25°C~+100°C
Performance	
Nominal insulation voltage	1000V AC~1500V DC
Flexibility WxHxD, external dimensions	210x194x120mm

Unit:mm



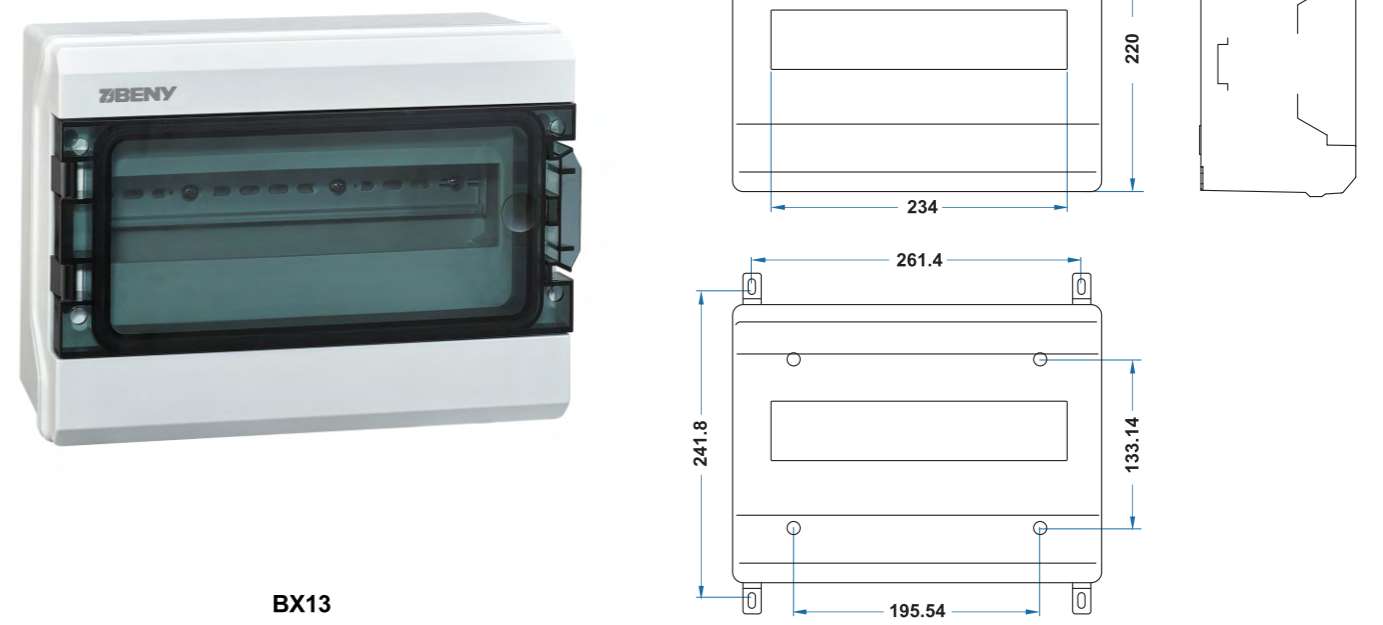
BX08

PV Waterproof Box
13 Modules



Protection	
Protection class	IP 65
Insulation	Class II
Material	polycarbonate/ABS
Shock resistance	IK10
Protection against chemicals and weather conditions	Water, saline solutions, acids, basics, mineral oils, UV rays
Operating temperature	-25°C~+100°C
Performance	
Nominal insulation voltage	1000V AC~1500V DC
Flexibility WxHxD, external dimensions	292x220x119mm

Unit:mm



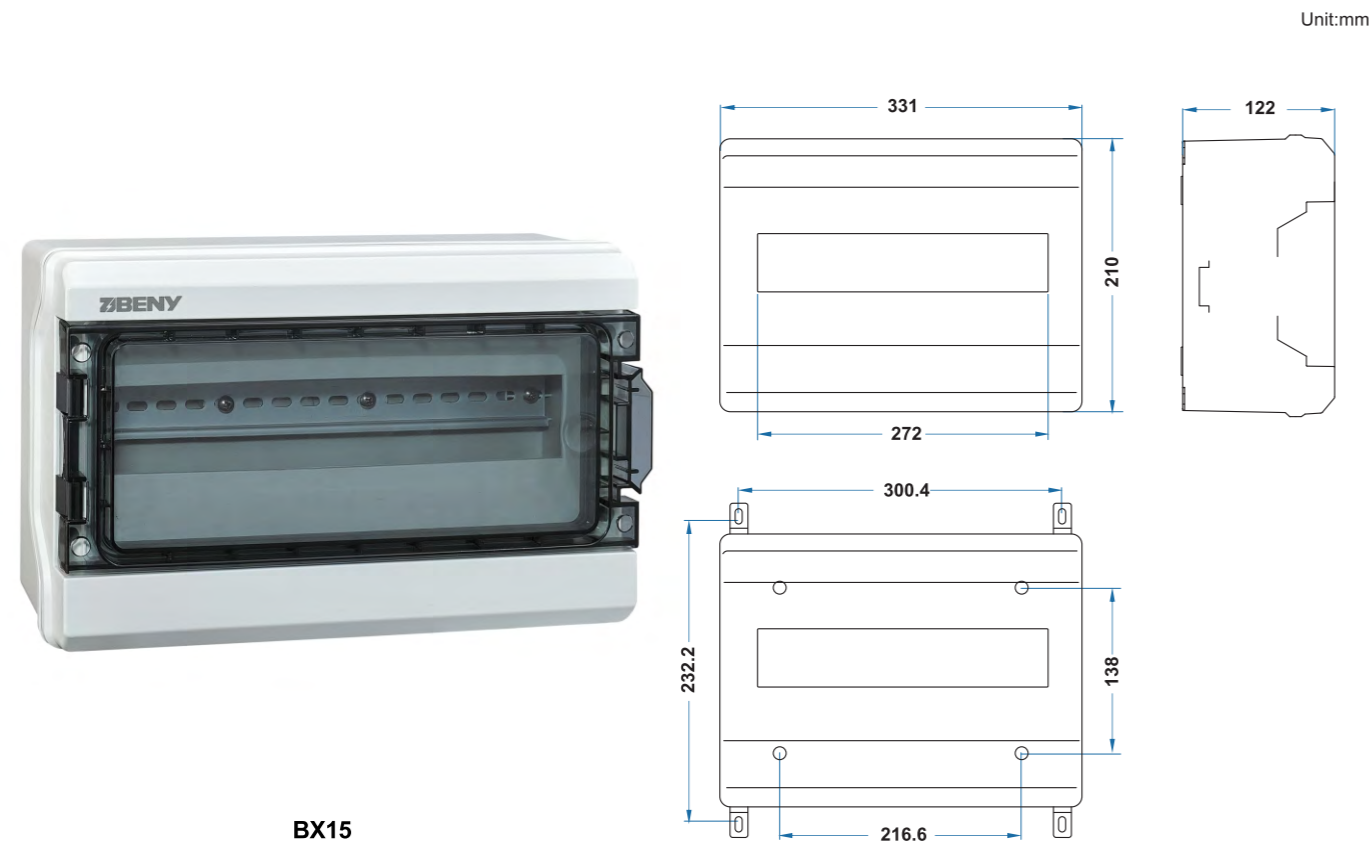
BX13

PV Waterproof Box

PV Waterproof Box
15 Modules



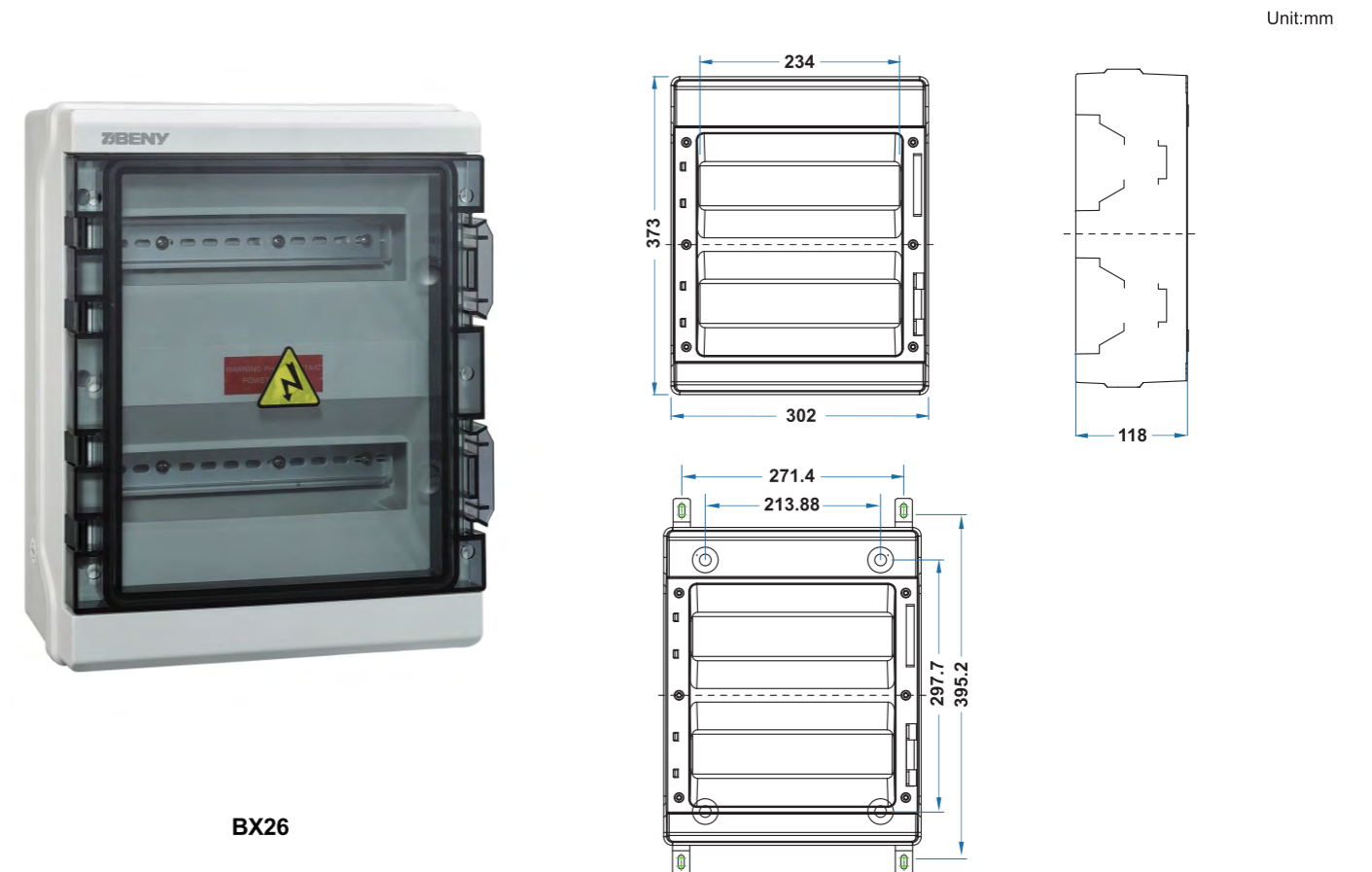
Protection	
Protection class	IP 65
Insulation	Class II
Material	polycarbonate/ABS
Shock resistance	IK10
Protection against chemicals and weather conditions	Water, saline solutions, acids, basics, mineral oils, UV rays
Operating temperature	-25°C~+100°C
Performance	
Nominal insulation voltage	1000V AC~1500V DC
Flexibility WxHxD, external dimensions	331x210x122mm



PV Waterproof Box
26 Modules



Protection	
Protection class	IP 65
Insulation	Class II
Material	polycarbonate/ABS
Shock resistance	IK10
Protection against chemicals and weather conditions	Water, saline solutions, acids, basics, mineral oils, UV rays
Operating temperature	-25°C~+100°C
Performance	
Nominal insulation voltage	1000V AC~1500V DC
Flexibility WxHxD, external dimensions	302x373x118mm





PV Waterproof Box
39 Modules



Protection	
Protection class	IP 65
Insulation	Class II
Material	polycarbonate/ABS
Shock resistance	IK10
Protection against chemicals and weather conditions	Water, saline solutions, acids, basics, mineral oils, UV rays
Operating temperature	-25°C~+100°C
Performance	
Nominal insulation voltage	1000V AC~1500V DC
Flexibility WxHxD, external dimensions	313x553x149mm

Unit:mm



BX39

