

# Installation Manual

## POLE MOUNT



# Components List:

Pole1



Pole2



Bolt1



Bolt2



Bolt3



Bolt4



Main Beam



Iron Bar



Second Beam



U bolt



Splice



Rail



Middle Clamp



Connector

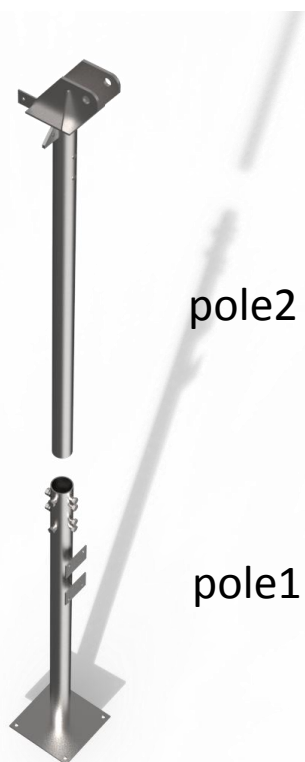


End Clamp

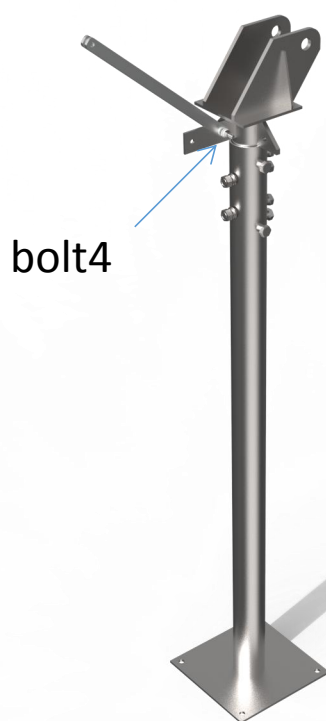


## Installation Steps :

**Step1.** Put the pole 2 inside the pole 1, and fix with bolt 3.

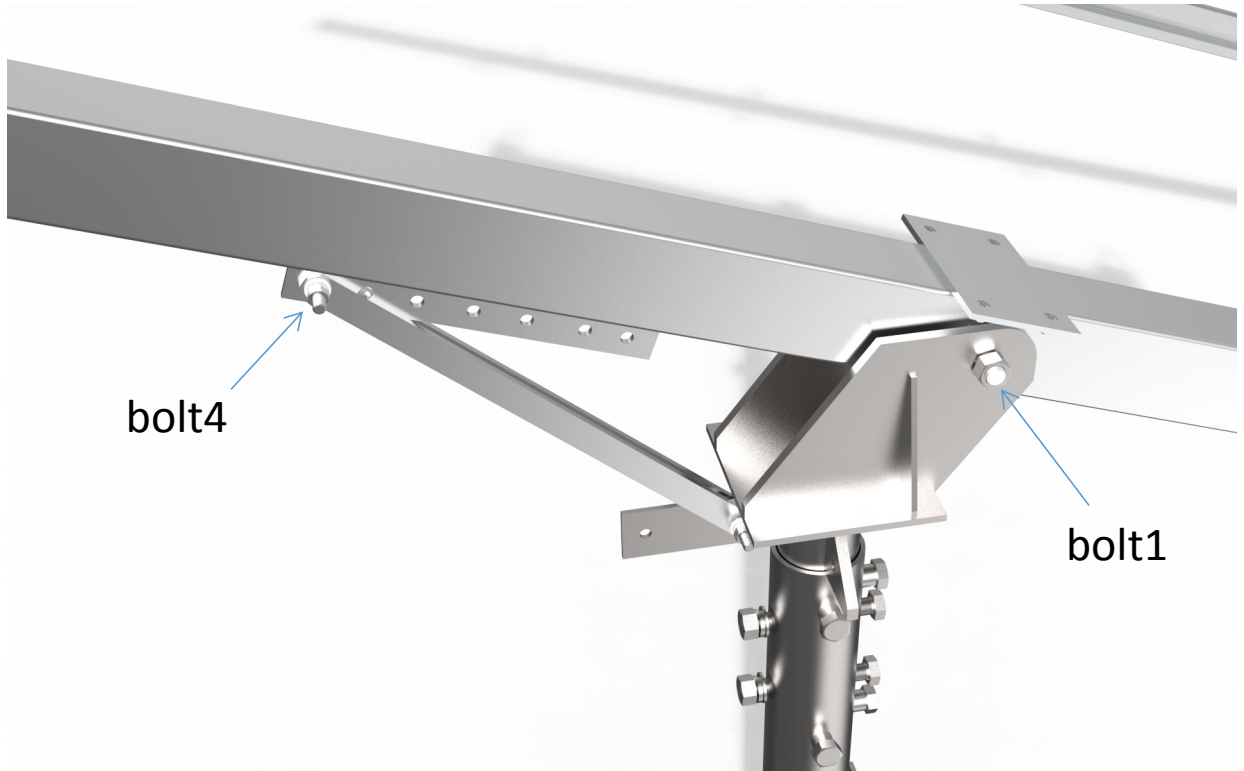


**Step2.** Lock the iron bar with bolt 4.



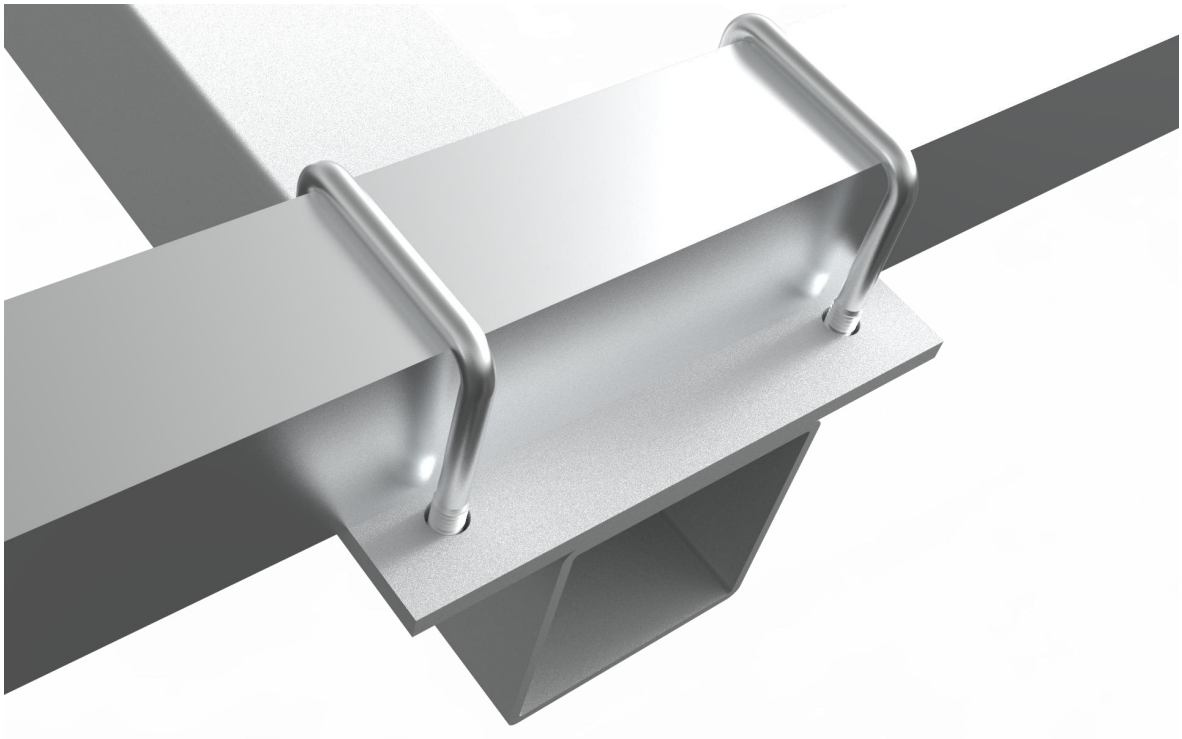
## Installation Steps :

**Step3.** Fix the main beam on the pole with bolt 1 in suitable angle.



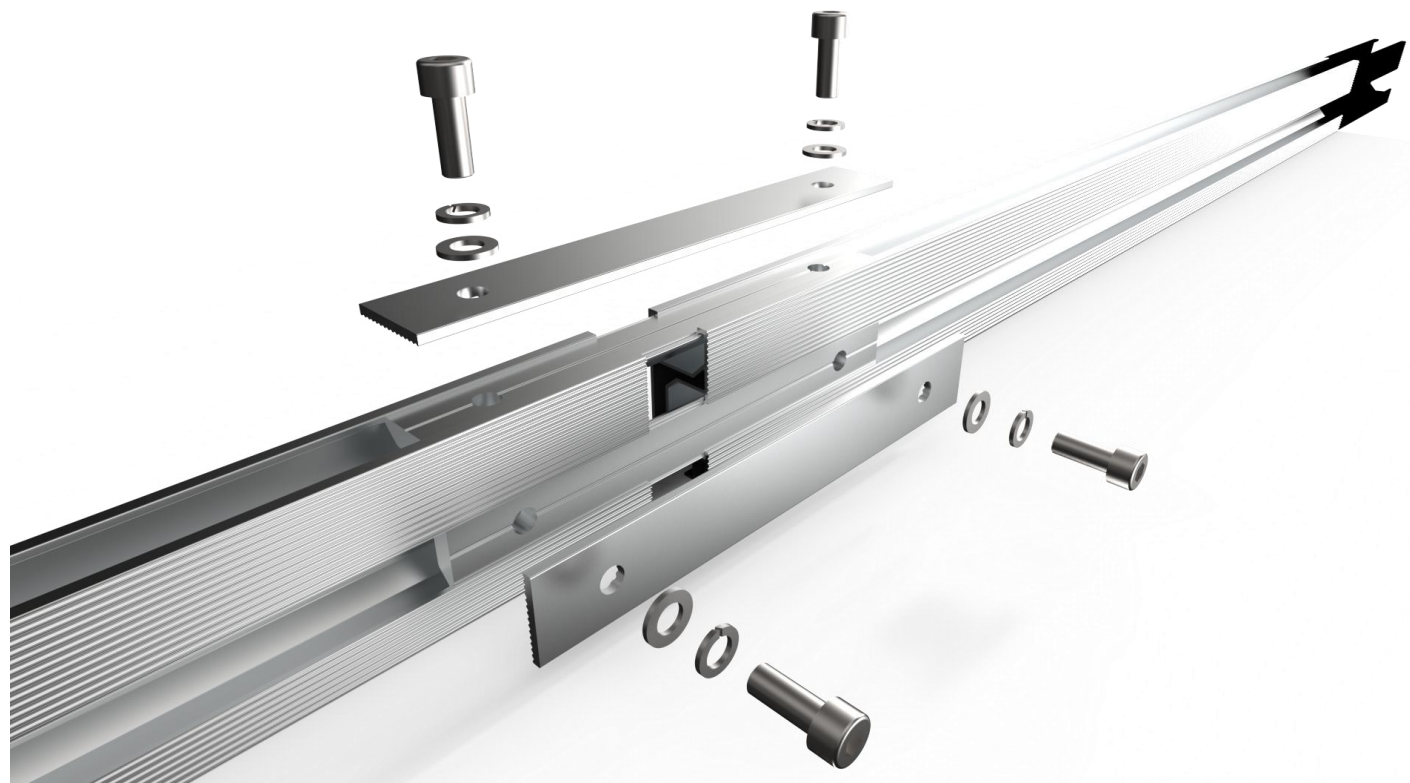
## Installation Steps :

**Step4.** Fix the second beam with U bolt.

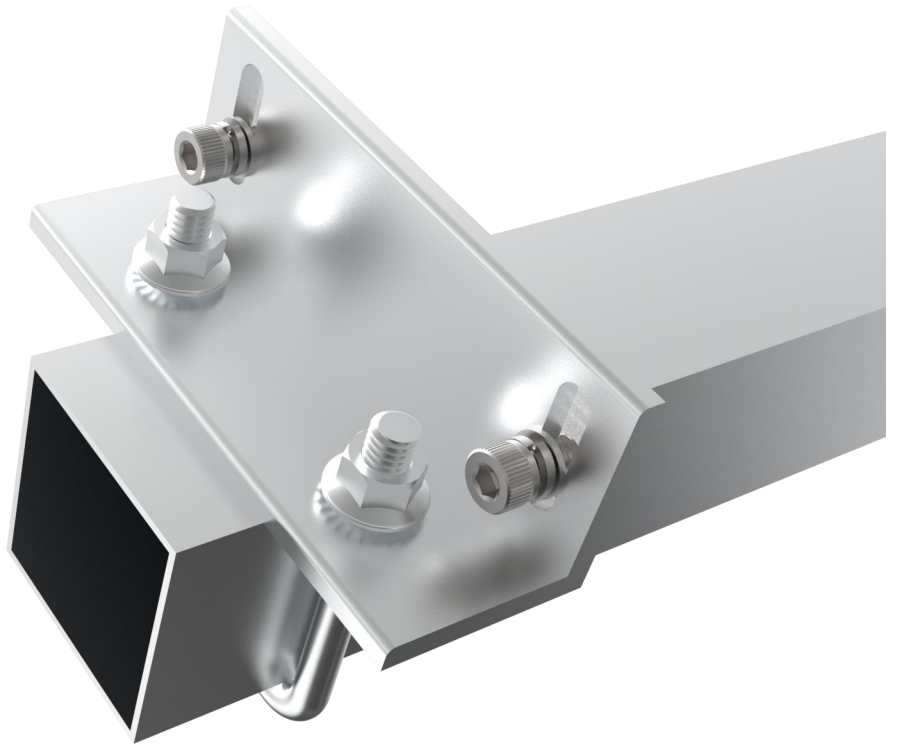


## Installation Steps :

**Step5.** Fix the rail.



**Step6.** Lock 4pcs supporting pipe splice on each beam, 6pcs in total.



**Step7.** Place the rails on the supporting beam and fix the rails supporting pipe splice.



## Installation Steps :

**Step8.** Rotate and find the suitable angle and height, make the holes of poles matched, then lock with bolt 2.



**Step9.** Mount the solar panels with middle clamps and end clamps.  
Finished.

