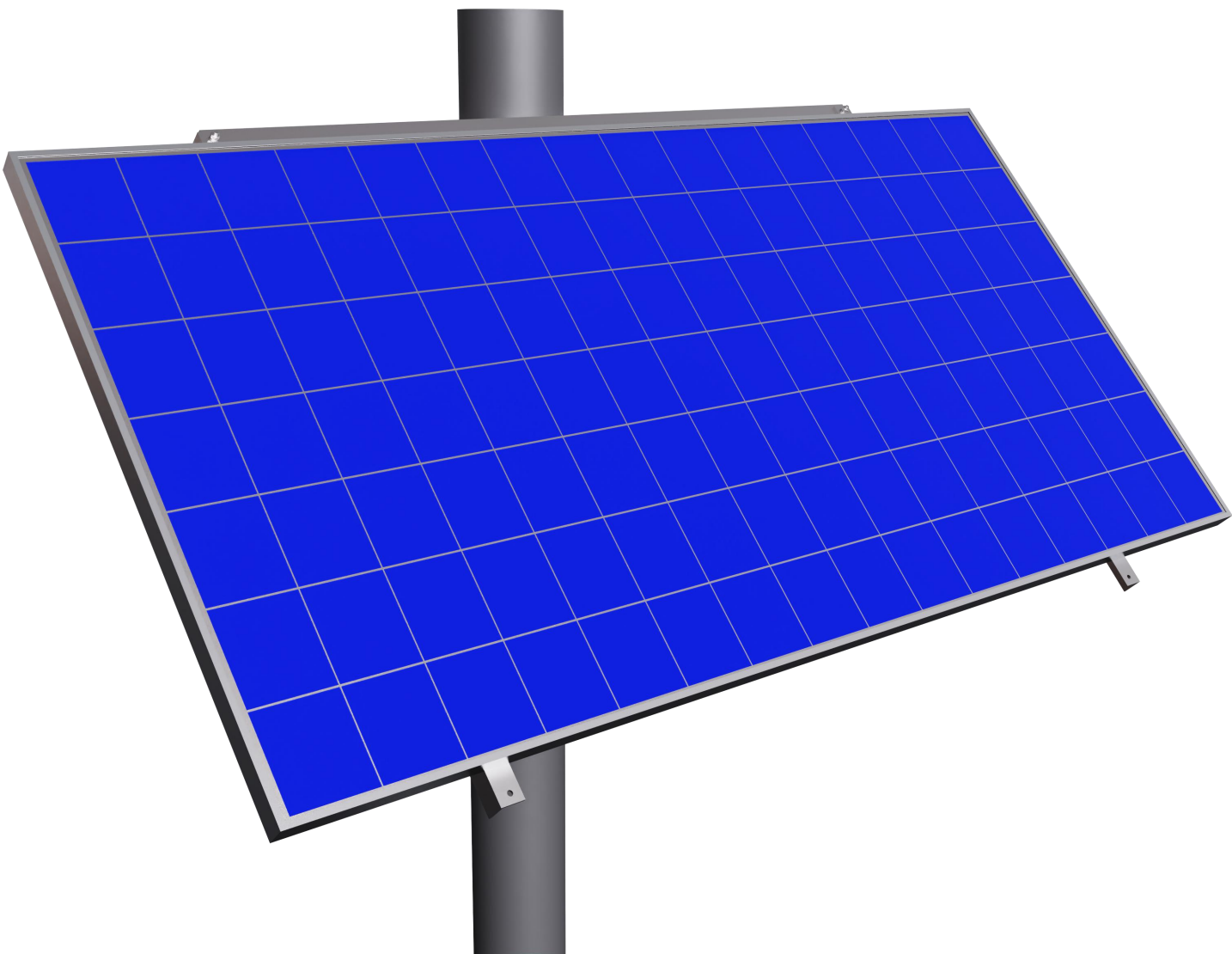


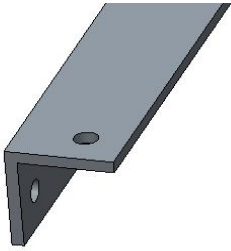
# Installation Manual

## 1 Panel Mounting Bracket

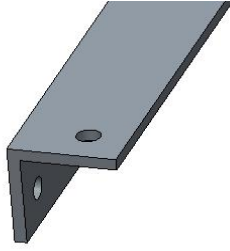


# Components List:

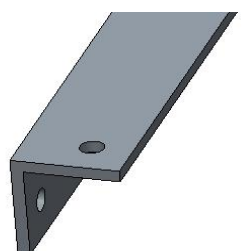
L feet-1



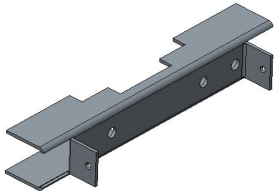
L feet-2



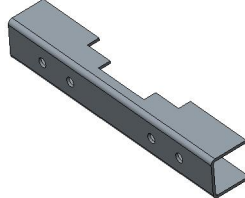
L feet-3



U bracket-1



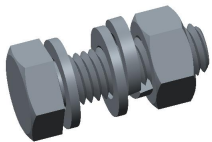
U bracket-2



Bolt-1(M12\*300mm)

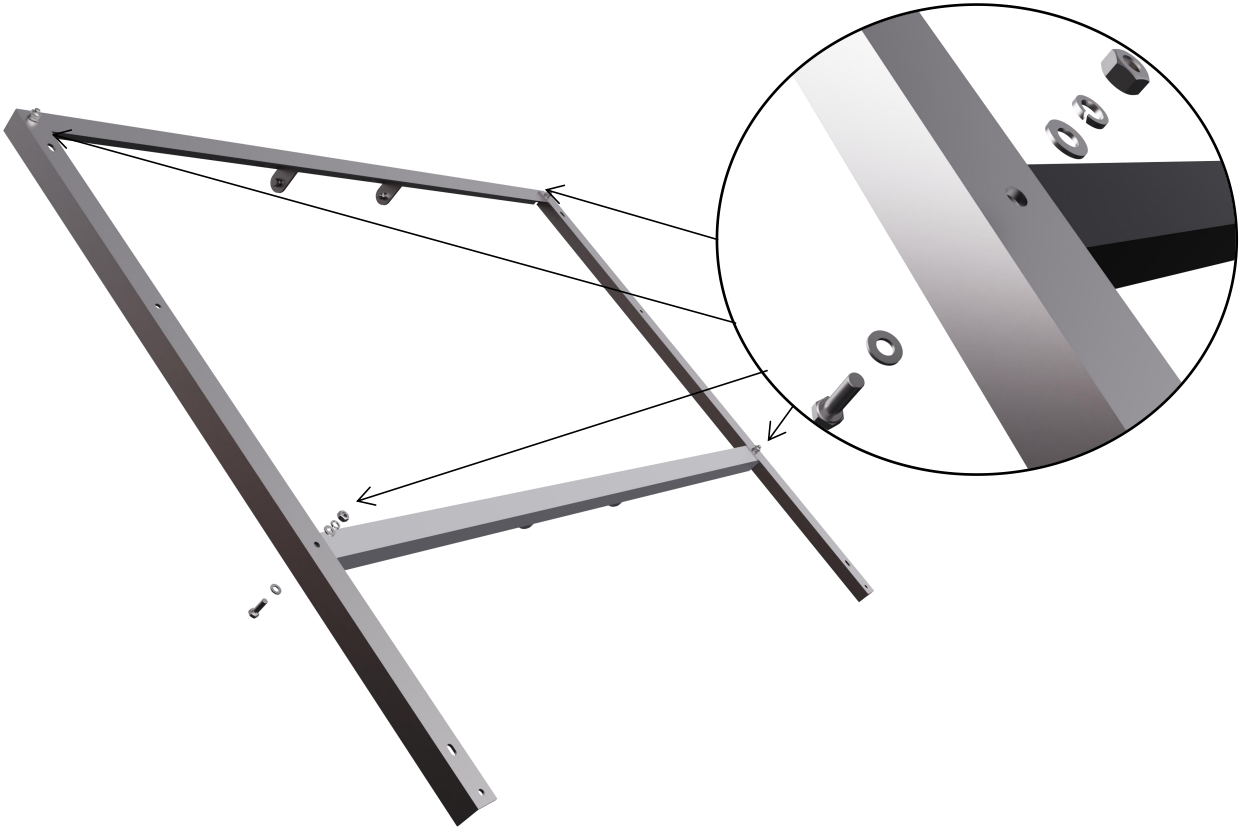


Bolt-2(M8\*25mm)

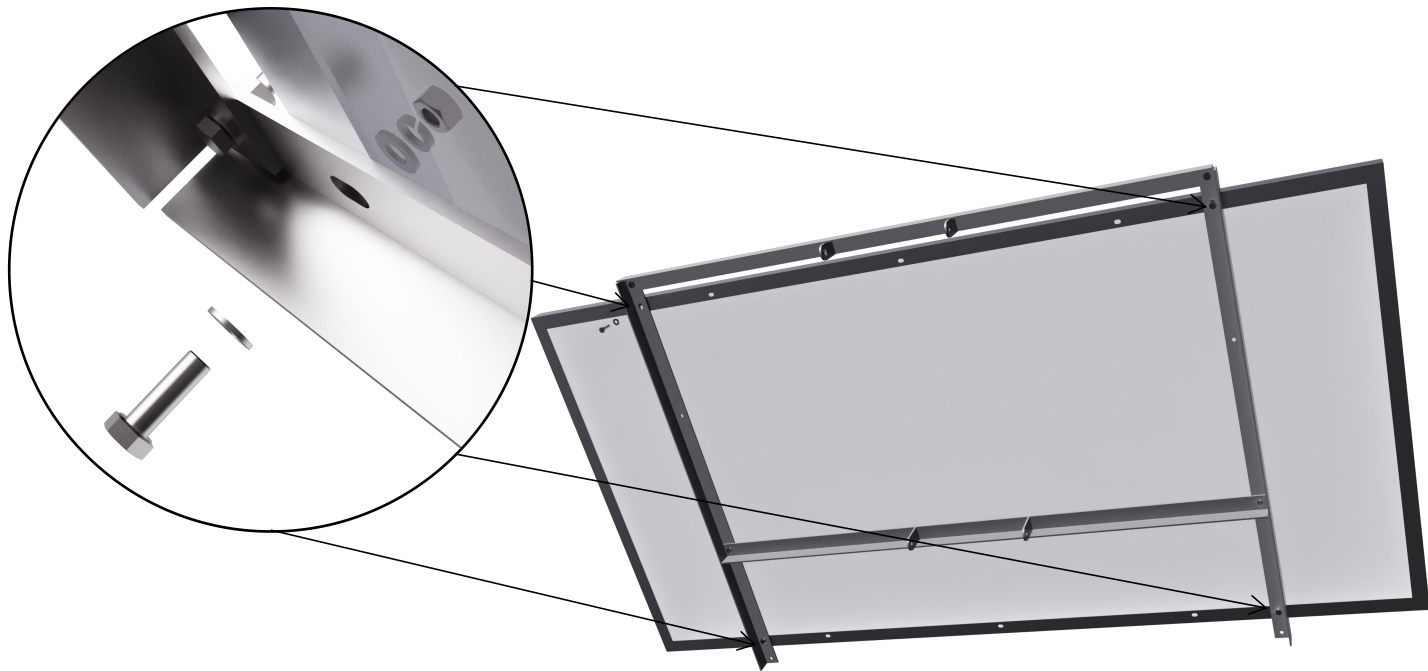


## Installation Steps :

**Step1.** Connect 2pcs of L feet-1 and 2pcs of L feet-2 with Bolt -2(M8x25mm)



**Step2.** Install the mounting bracket to the mounting holes of panel with Bolt -2(M8x25mm)



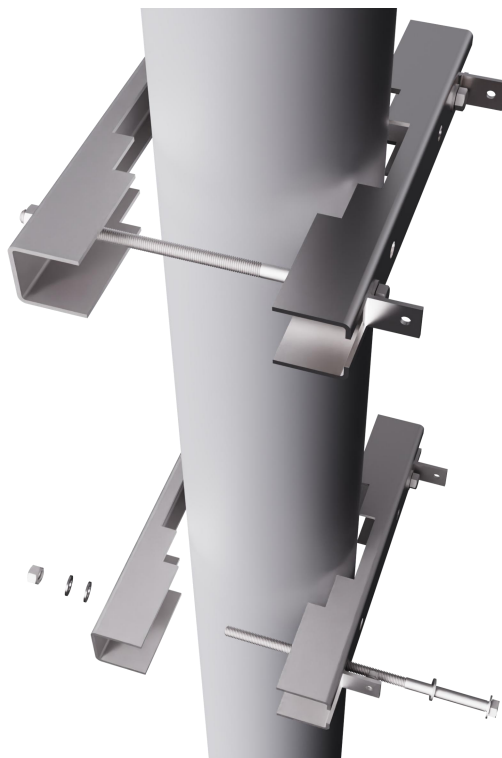
**Step3.** Connect 2pcs of L feet-3 with Bolt -2(M8x25mm)



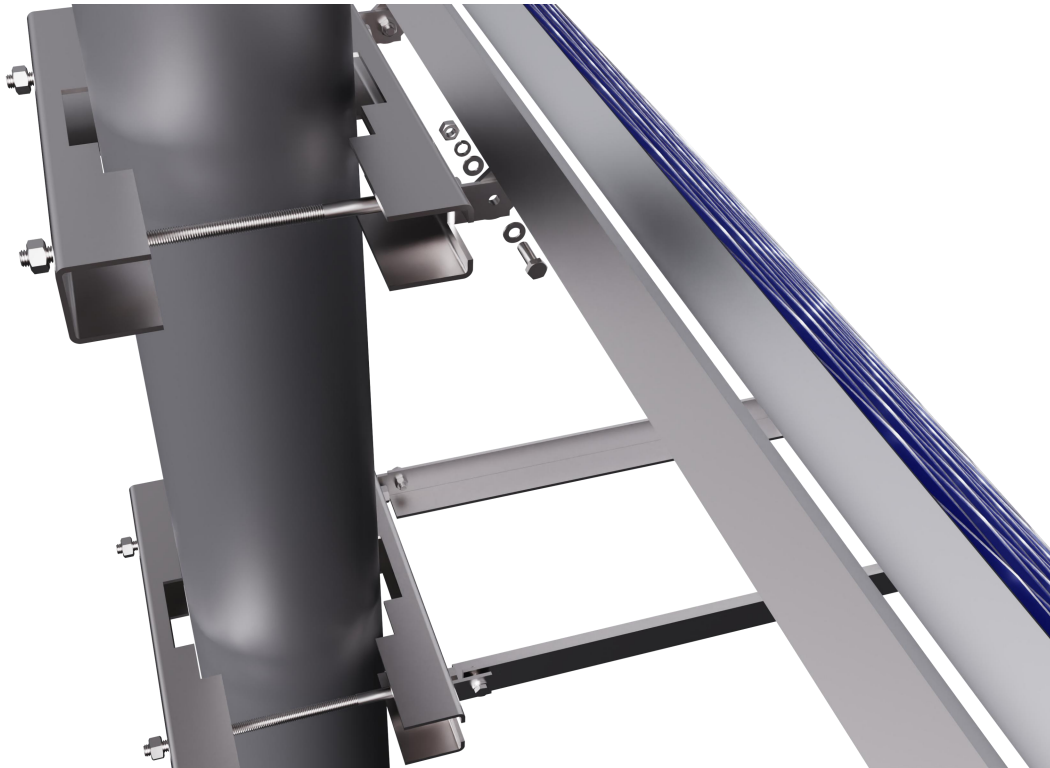
**Step4.** Install the U bracket-1 and U bracket-2 to the pole with bolt-1(M12x300mm)

Pls note: the brackets do not include the pole.

Pole diameter:  $\Phi 110 \sim \Phi 220 \text{mm}$



**Step5.** Connect the L feets and U bracket with Bolt -2(M8x25mm)



**Step6.** Finished.

