





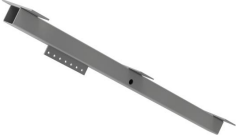






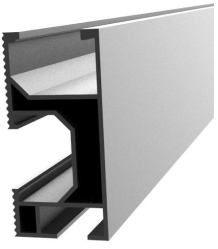
VOLT ENERGIES POLE MOUNT





Components:

Name	Pole1	Pole2	Bolt1	Bolt2
Picture				

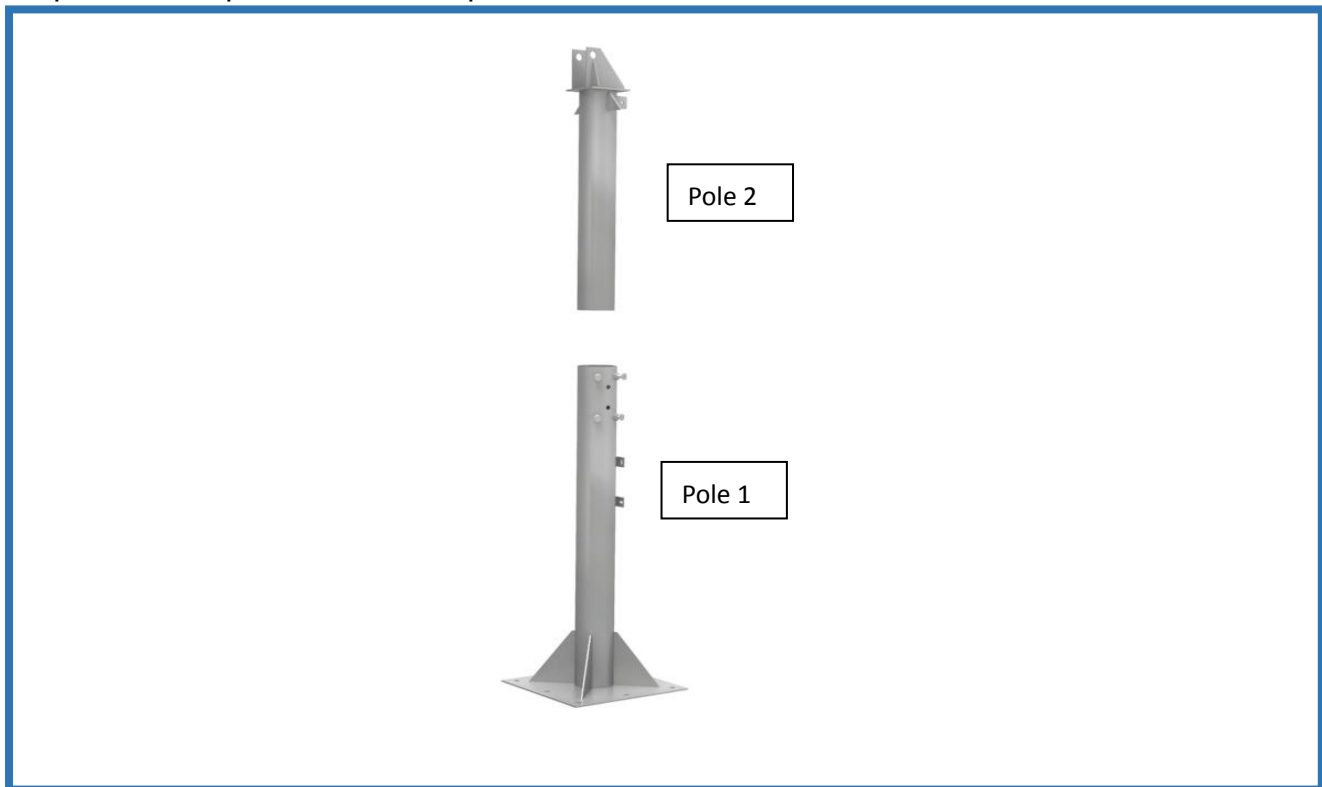
Name	Bolt3	Bolt4	Main Beam	Iron Bar
Picture				

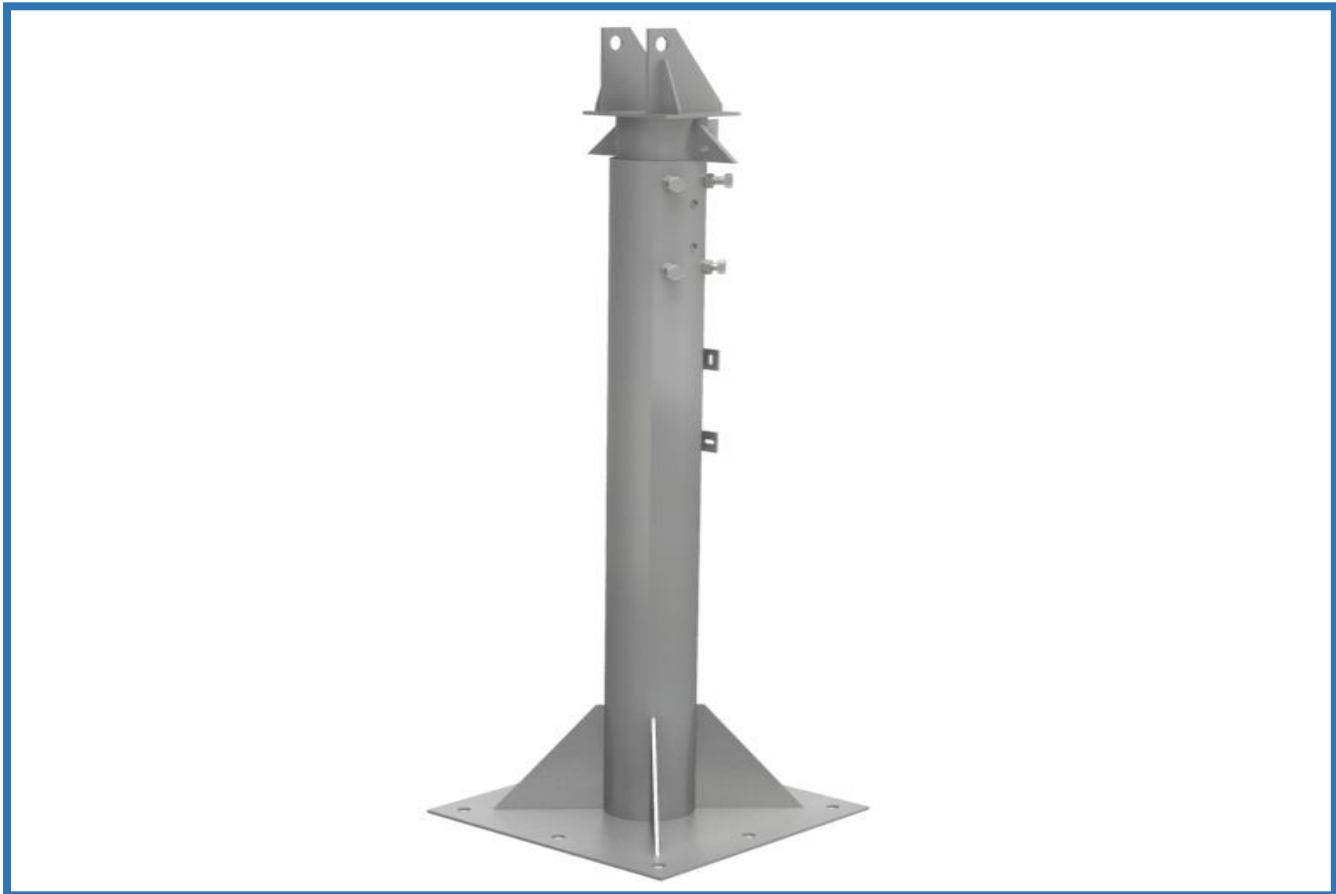
Name	Second Beam	U bolt	Supporting Pipe Splice	Rail
Picture				

Name	Middle Clamp	End Clamp
Picture		

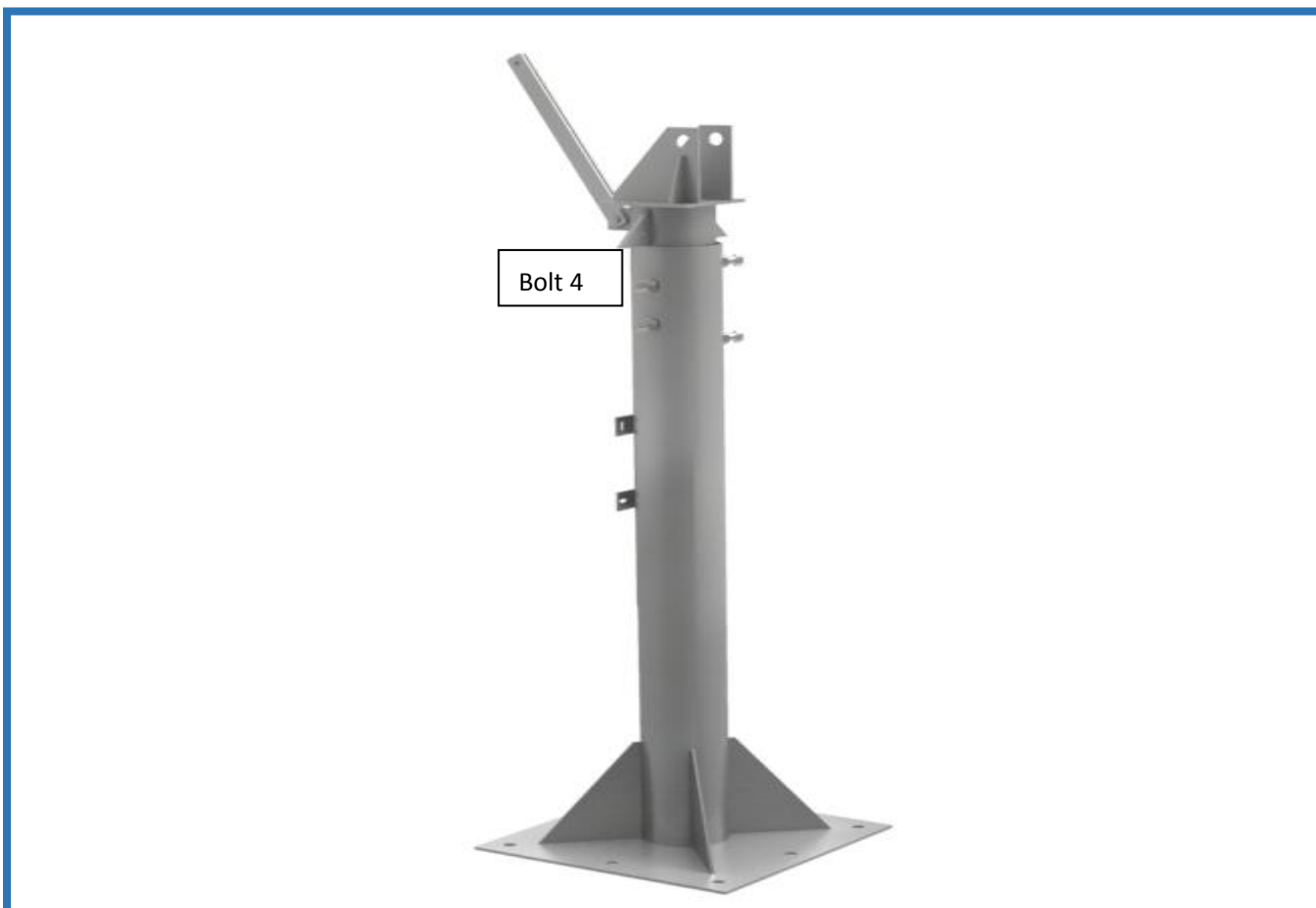
Installation Steps:

Step 1: Put the pole 2 inside the pole 1, and fix with bolt 3.

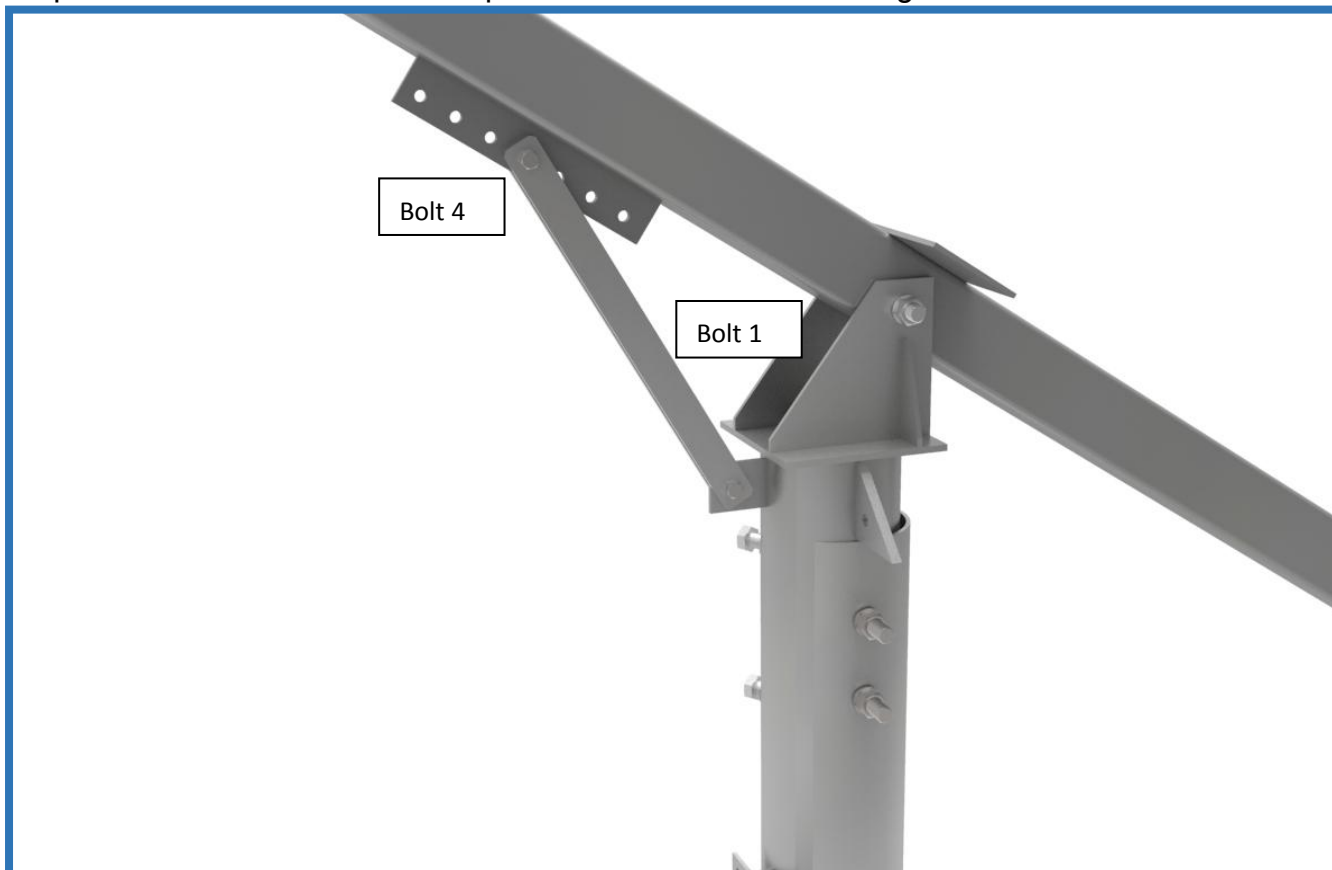




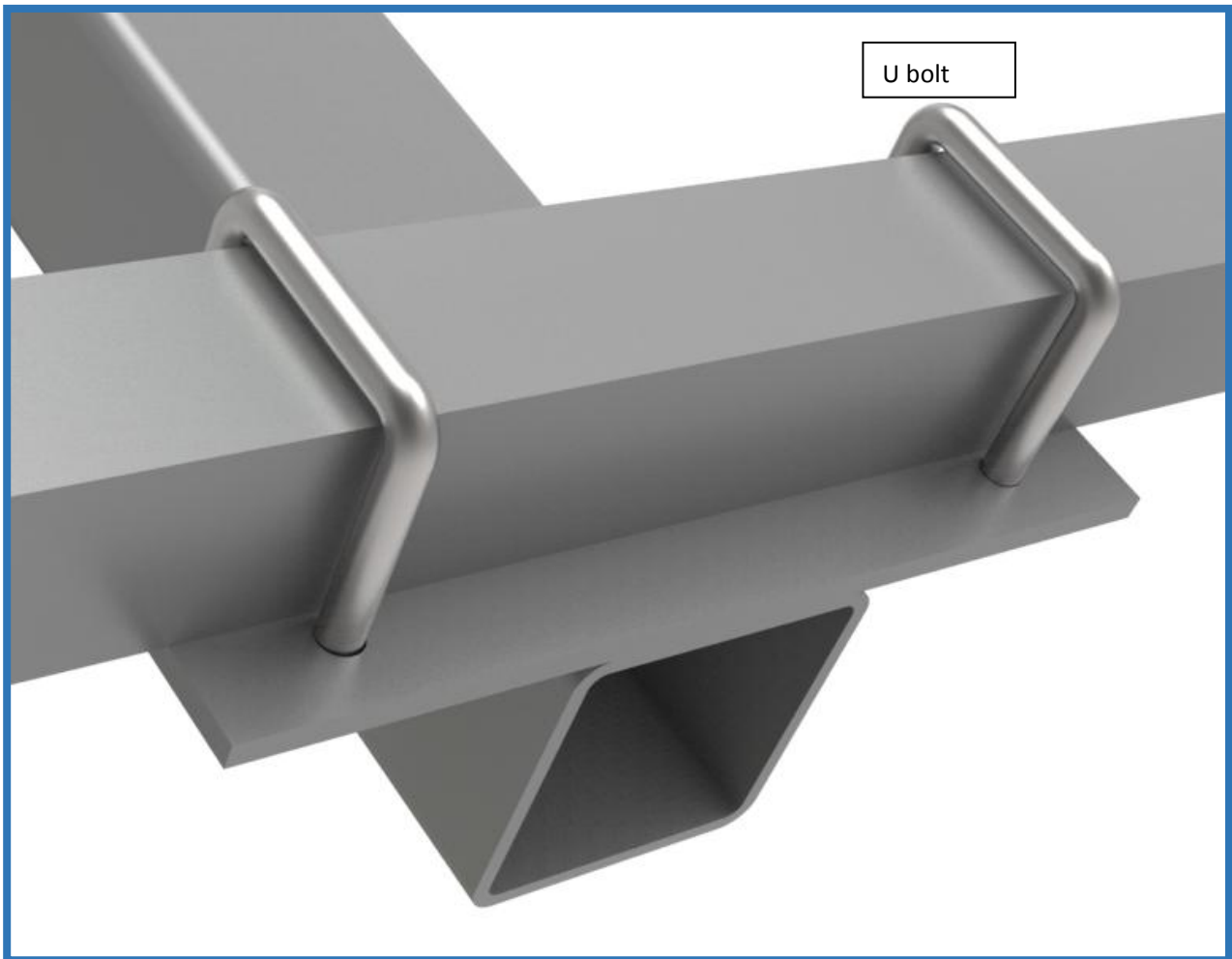
Step 2: Lock the iron bar with bolt 4.



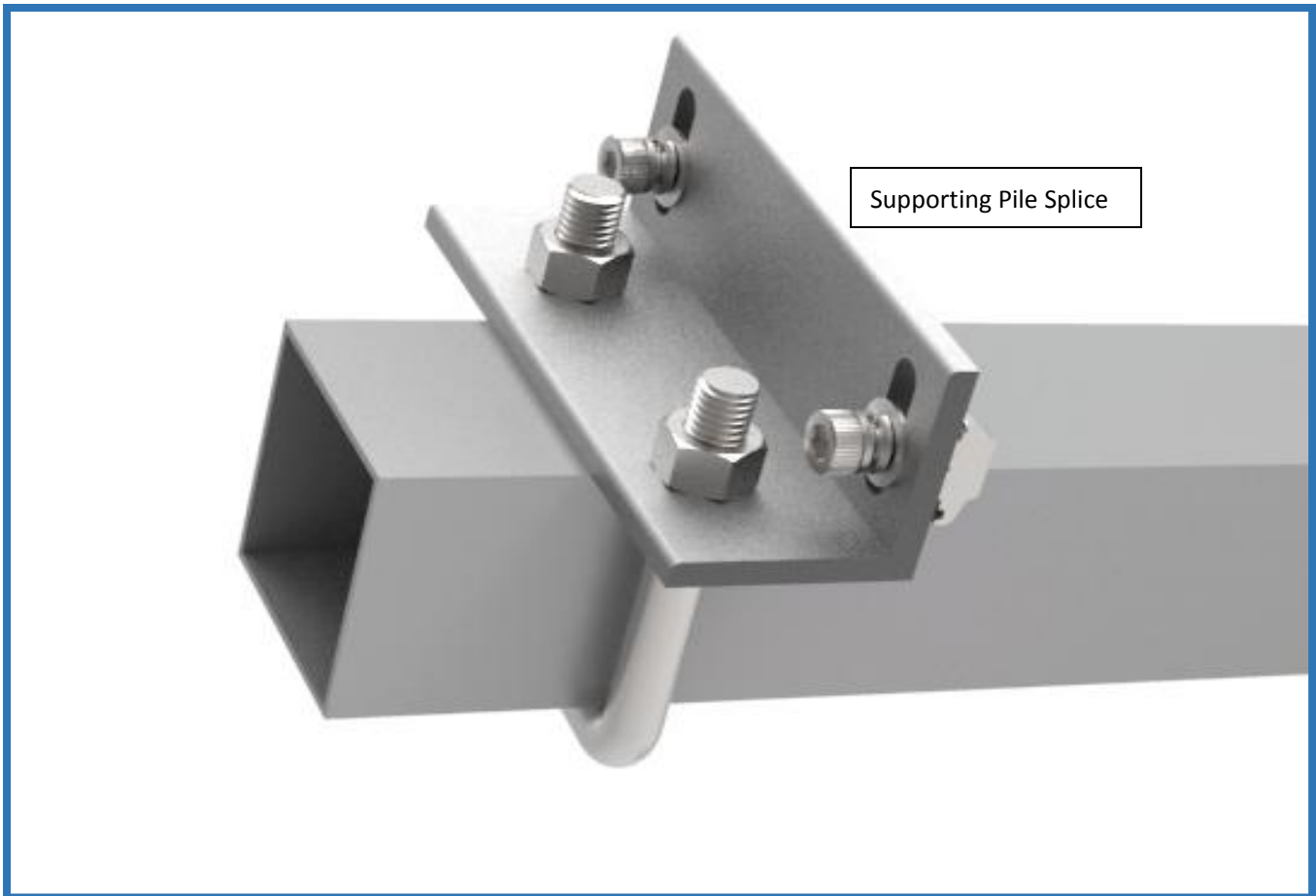
Step 3: Fix the main beam on the pole with bolt 1 in suitable angle.



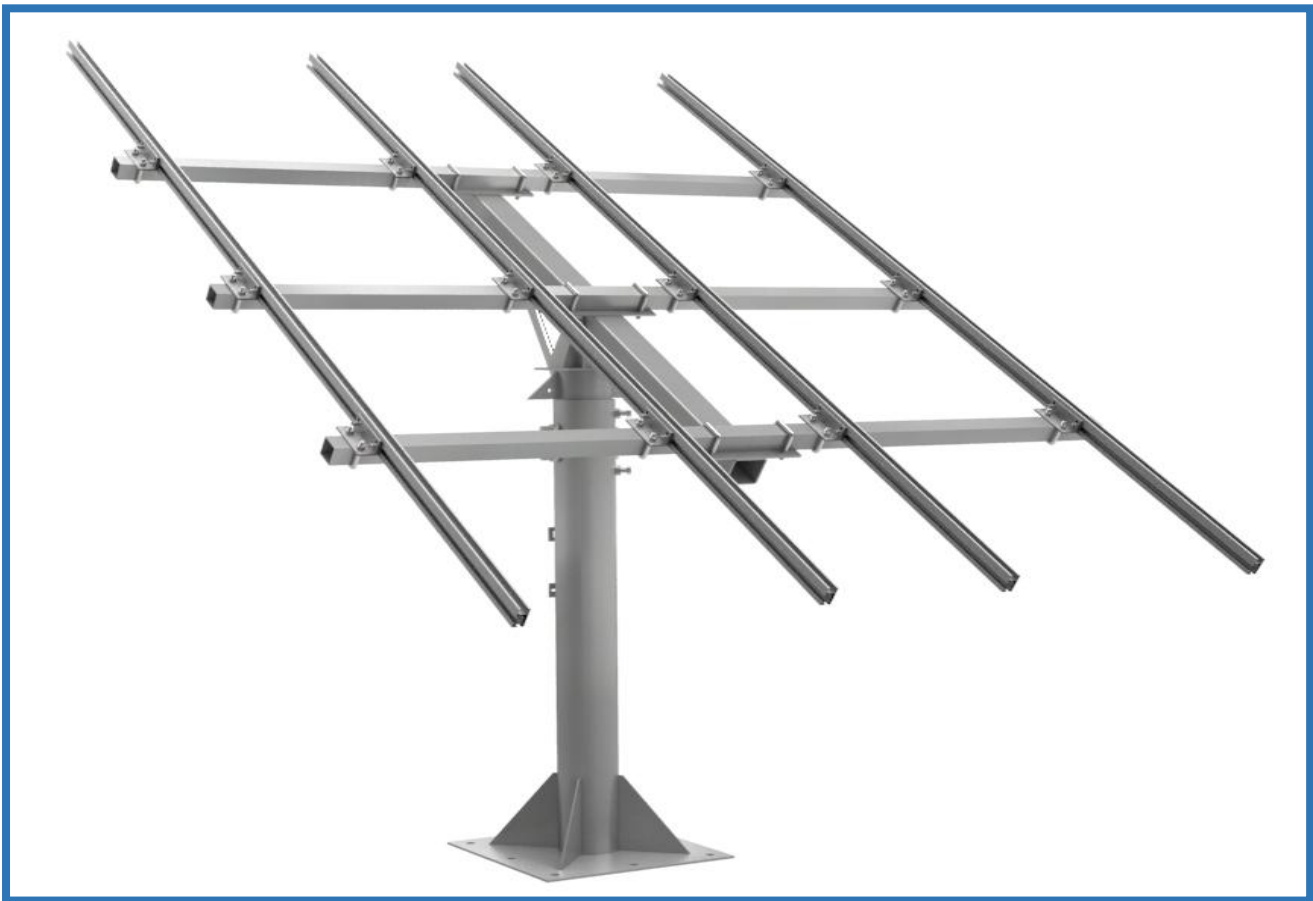
Step 4: Fix the second beam with U bolt.



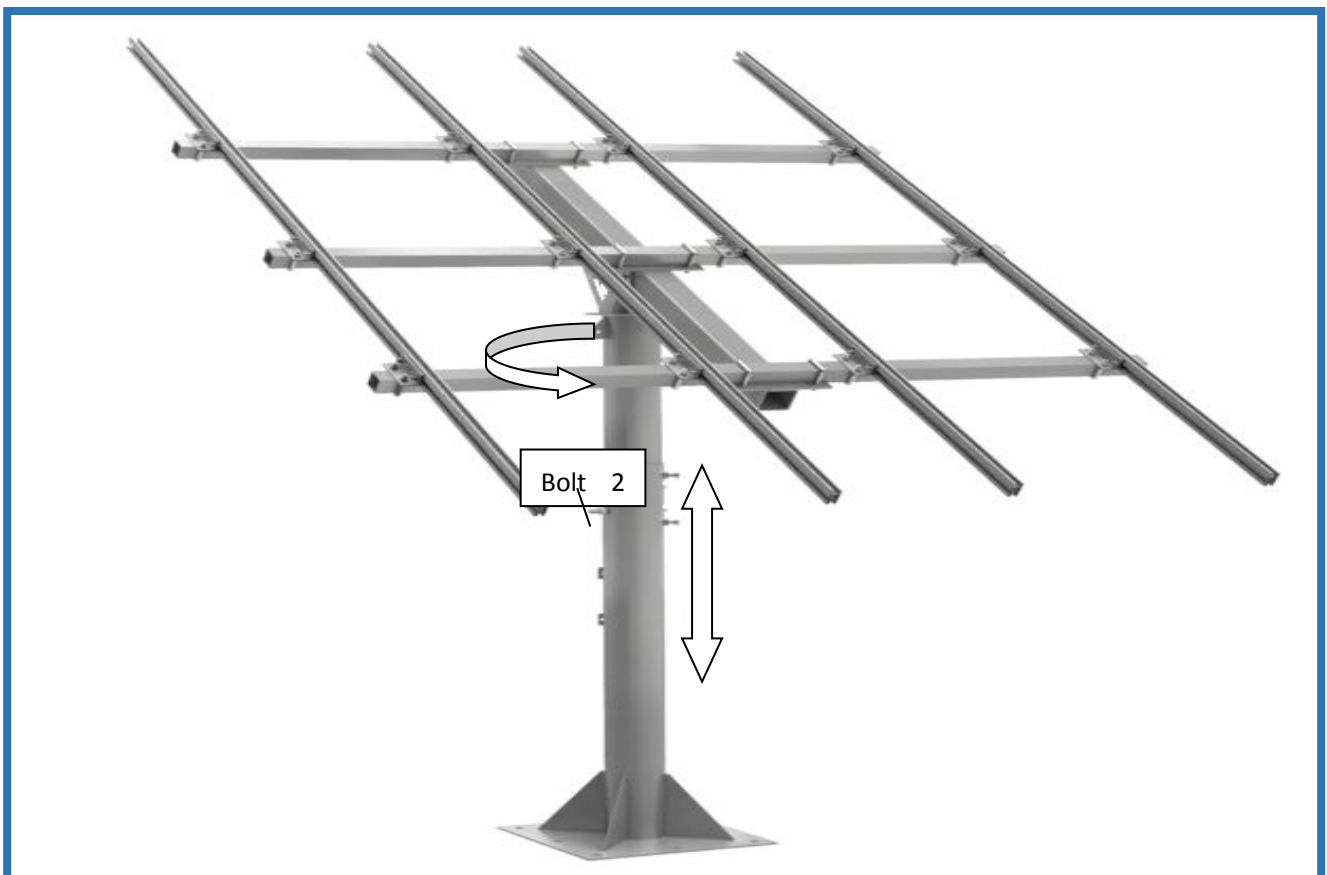
Step 5: Lock 4pcs supporting pipe splice on each beam, 12pcs in total.



Step 6: Place the rails on the supporting beam and fix the rails supporting pipe splice.



Step 7: Rotate and find the suitable angle and height, make the holes of poles matched, then lock with bolt 2.



Step 8: Mount the solar panels with middle clamps and end clamps. Finished.



Volts Energies
4490 avenue des industries
Laval, Qc H7C 1A2

T. 450-973 4770 ext.250
F. 450 973 6483
Cell. 514 829 4974
scaron@volts.ca

WWW.VOLT.CA