



6-Way Fuse - Holder Box



- ✓ Dual-DC Input
- ✓ 6-way circuit setup
- ✓ Fault Indicator (Red), Max.30A
- ✓ With screw lock cover

Reliable Power Supply

Enjoy **Green** Life

TIER-1
MANUFACTURER

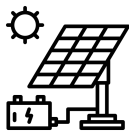
ELIOS | Fuse holder DBC06



6-Way Fuse-Holder Box

Introducing the Elios 6 Circuits ATO Fuse Box, an advanced solution for efficient DC power distribution in off-grid solar systems and vehicles. LED lights indicate circuit status, protected by fast-acting blade fuses. With a Max.180A bypass DC current capability, it allows simultaneous operation of up to 12*15A DC loads.

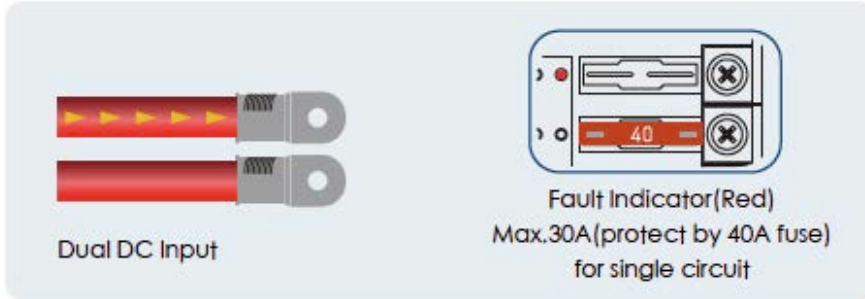
Its 6-way circuit setup, screw-lock cover, and 4 backup fuses streamline wiring and power management. Customize circuits with load labels for easy identification. Simplify with Elios ATO Fuse Box.



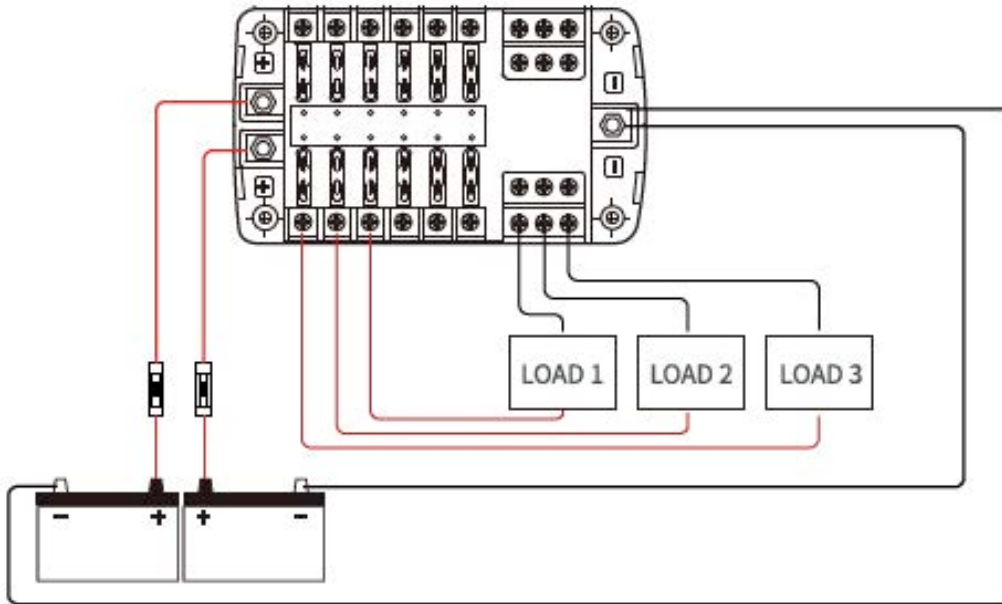
Applications

Off-Grid Solar System | Energy storage System | Mobile Homes | Trailer | RV

Key Features




Diagram



ELIOS | Fuse holder DBC06

DBC06

Product/Delivery Weight	292g / 317g
Circuit	6
Dimension	125×94.8×58 mm
Input Voltage	8VDC~32VDC
Input Current	Max. 180A
Output Current	30A continuous / single circuit; 180A continuous / integrated circuit
Material	PBT base + PC dustproof cover + Nickel plated copper connection terminal
Installation Accessories	 4×M4 Tapping Screw Length: 34mm

