

SOLAR STRING BOX

 Residential System

 Commercial System



ZHEJIANG BENYI ELECTRICAL CO., LTD.

Address : Wenzhou Daqiao Industry Park, Yueqing City Zhejiang Province,325603 China.

TEL : +86-577-5717 7008 Email : benyi@zjbeny.com

VERSION : 20220416

For the latest version of specification, please refer to www.beny.com or contact to benyi@zjbeny.com
We reserve the right to explain the terms of specification.



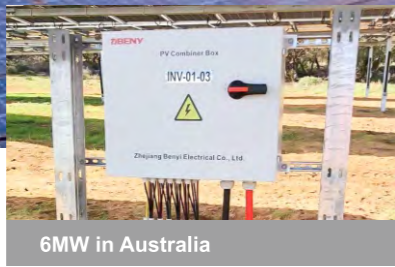
PROJECT CASES

BENY String Boxes
In Projects

- 73% market share in AU of DC switch
- Top 1 DC components manufacturer in China
- Top 1 Solar String Box manufacturer in China



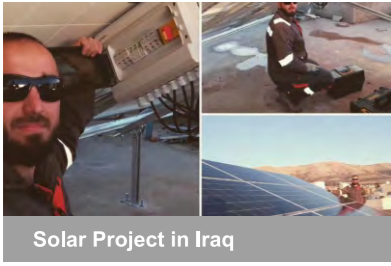
85MW in De Aar South Africa



6MW in Australia



Solar Project in Tunis



Solar Project in Iraq



Solar Project in Indonesia








Solar Project in Chile










CONTENTS

DC Isolator Switch Box 01



	Solar DC Switch Box Page 02
	Solar DC Switch Box Page 03
	Solar DC String Box 3 in 3 out Page 04
	Solar DC String Box 4 in 4 out Page 05
	Solar DC String Box 6 in 6 out 1000V Page 06

Door Clutch Combiner Box 07

	1 input 1 output 600VDC / 1000VDC Page 08
	2 input 1 output 600VDC / 1000VDC Page 09









	2 input 2 output 600VDC / 1000VDC Page 10
	3 input 1 output 1000VDC Page 11
	3 input 3 output 600VDC / 1000VDC Page 12
	4 input 2 output 1000VDC Page 13
	4 input 4 output 1000VDC Page 14

Over-Load Protection Box 15


	1 input 1 output 600VDC / 1000VDC Page 16
	2 input 1 output 600VDC / 1000VDC Page 17

	2 input 2 output 600VDC / 1000VDC Page 18
	3 input 1 output 600VDC / 1000VDC Page 19
	3 input 3 output 600VDC / 1000VDC Page 20
	4 input 2 output 600VDC / 1000VDC Page 21
	4 input 4 output 1000VDC Page 22
	6 input 2 output 1000VDC Page 23
	6 input 3 output 1000VDC Page 24
	6 input 6 output 1000VDC Page 25


Solar Combiner Box 26

	Solar DC String Box 1 in 1 out DC 1000V Page 27
	Solar DC String Box 2 in 1 out DC 1000V Page 28
	Solar DC String Box 2 in 2 out DC 1000V Page 29
	Solar DC String Box 3 in 1 out DC 1000V Page 30
	Solar DC String Box 4 in 1 out DC 1000V Page 31
	Solar Combiner Box 4 in 2 out DC 1000V Page 32
	Solar Combiner Box 5 in 1 out DC 1000V Page 33
	Solar Combiner Box 5 in 2 out DC 1000V Page 34


CONTENTS




Solar Combiner Box
6 in 2 out DC 1000V
Page 35




Solar DC String Box
1 in 1 out 600V
Page 36




Solar DC Combiner Box
2 in 1 out 600V
Page 37




Solar DC String Box
2 in 2 out 600V
Page 38




Solar DC String Box
1 in 1 out DC 1000V
Page 39



Solar DC String Box
2 in 2 out DC 1000V
Page 40




Solar DC String Box
1 in 1 out DC 1000V
Page 41




Solar DC String Box
2 in 2 out DC 1000V
Page 42

DC+AC Combiner Box 43




BHS-1/1(DC+AC)
Page 44




BHS-2/2(DC+AC)
Page 45


AC Distribution Box 46




BBWX AC Distribution Box(AC)
Page 47




Type B RCD Box
1 in 1 out AC 400V
Page 48



Type B RCD Box
1 in 3 out AC 400V
Page 49




AC Contactor Box
1 in 1 out AC 400V
Page 50




AC Contactor Box
1 in 3 out AC 400V
Page 51


PV Waterproof Box 52




PV Waterproof Box
Page 53




PV Waterproof Box
Page 54




PV Waterproof Box
Page 55




PV Waterproof Box
08 Moduies
Page 56




PV Waterproof Box
13 Moduies
Page 57



PV Waterproof Box
15 Moduies
Page 58




PV Waterproof Box
26 Moduies
Page 59




PV Waterproof Box
39 Moduies
Page 60

AFCI Combiner Box 61




BHSZ AFCI Combiner BOX
Page 62


Solar Combiner Box 63




Solar DC Disconnect Combiners
6 in 1 out DC 1000V
Page 64




Solar DC Disconnect Combiners
1 in 1 out DC 1500V
Page 65




Solar DC Disconnect Combiners
1000V DC 12 in 1 out
Page 66



Solar DC Disconnect Combiners
1500V DC 12 in 1 out
Page 67



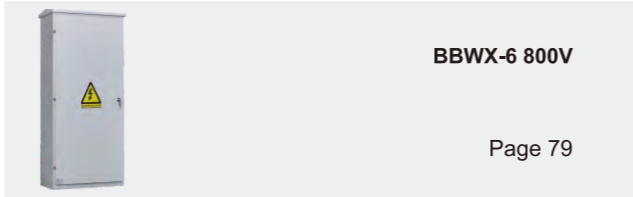
Solar DC Disconnect Combiners
1000V DC 16 in 1 out
Page 68



Solar DC Disconnect Combiners
1500V DC 16 in 1 out
Page 69

CONTENTS

AC Combiner Box	70
	BBWX-1 AC Distribution Box Page 71
	BBWX-4 Page 72
	BBWX-6 Page 73
	BBWX-4 230V/400V Page 74
	BBWX-6 230V/400V Page 75
	BBWX-4 690V Page 76
	BBWX-6 690V Page 77
	BBWX-4 800V Page 78



The Best DC Components for The Best Result.



About BENY

Top 1 manufacturer of DC components and combiner boxes in China.
With more than 10 years experience in solar DC solutions designing, producing and testing.

We are one of the manufacturers own the DC electrical cycle tester in China, the test equipment is important for keeping the DC switch at high quality level.

The first DC switch listed by UI508i.

The standard DC isolator recommended by Clean Energy Council Australia.

BENY is supplying reliable DC components to top inverter companies and EPCs worldwide.

1000V 1500V solar solutions DC side and AC side is available.

Product Specification

KEEP INNOVATING

DC Isolator Switch Box SERIES



Solar DC Switch Box



DC Isolator Switch Box

General Data			
Model No.	BHS-2		
Input	4 string or 2 string		
Output	4 string or 2 string		
Maximum Voltage	1000V		
Maximum Current Output	32A		
Enclosure		BX-08	
Material Type	Polycarbonate/ABS		
Degree of Protection	IP65		
Degree of Resistance to Impacts	IK10		
Dimension (WxHxD)	210 x 194 x 120mm		
DC Switch Disconnect		BYT.2-32	
Rated Insulation Voltage (Ui)	1000V	Environment	
Rated Current (Ie)	32A	Operating Temperature	-20°C~+60°C
Category	DC21B/PV2	Humidity	99%
Standard Compliance with	IEC 60947-3	Altitude	2000M
Certification	UL, TUV,KEMA,SAA,CE	Installation	Wall Mounting



BHS-2



Solar DC Switch Box



General Data			
Model No.	BHS-3		
Input	3 string or 6 string		
Output	3 string or 6 string		
Maximum Voltage	1000V		
Maximum Current Output	32A		
Enclosure		BX-15	
Material Type	Polycarbonate/ABS		
Degree of Protection	IP65		
Degree of Resistance to Impacts	IK10		
Dimension (WxHxD)	331 x 210 x 122mm		
DC Switch Disconnecter		BYT.2-32	
Rated Insulation Voltage (Ui)	1000V	Environment	
Rated Current (Ie)	32A	Operating Temperature	-20°C~+60°C
Category	DC21B/PV2	Humidity	99%
Standard Compliance with	IEC 60947-3	Altitude	2000M
Certification	UL, TUV,KEMA,SAA,CE	Installation	Wall Mounting



Solar DC String Box
3 in 3 out



General Data				
Model No.	BHS-3/3			
Input	3 strings			
Output	3 strings			
Maximum Voltage	1000V			
Max DC Short Circuit Current Per Input (Isc)	15A (Changeable)			
Maximum Current Output	32A			
Enclosure		BX-26	DC fuse holder	BR-30
Material Type	Polycarbonate/ABS	LED Indicator	Yes	
Degree of Protection	IP65	Rated Working Voltage	1000V	
Degree of Resistance to Impacts	IK10	Fuse Link	10x38mm LITTEL 15A	
Dimension (WxHxD)	292 x 370 x 132mm	Certification	UL, CB, CE	
Cable input Entry	PG09 Cable Gland, 2.5-16mm ²			
Output Cable Gland	PG21 2.5-16mm ²			
DC Switch Disconnecter		BYT.2-32	Environment	
Rated Insulation Voltage (Ui)	1000V	Operating Temperature	-20°C~+60°C	
Rated Current (Ie)	32A	Humidity	99%	
Category	DC21B/PV2	Altitude	2000M	
Standard Compliance with	IEC 60947-3	Installation	Wall Mounting	
Certification	UL, TUV,KEMA,SAA,CE			

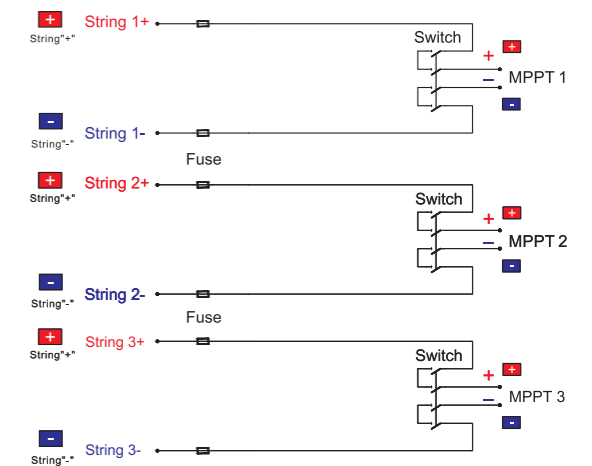
DC Isolator Switch Box



BHS-3



BHS-3/3





Solar DC String Box
4 in 4 out



General Data			
Model No.	BHS-4		
Input	4 strings		
Output	4 strings		
Maximum Voltage	1000V		
Maximum Current Output	32A		
Enclosure		BX-26	
Material Type	Polycarbonate/ABS		
Degree of Protection	IP65		
Degree of Resistance to Impacts	IK10		
Dimension (WxHxD)	292 x 370 x 132mm		
DC Switch Disconnecter		BYT.2-32	
Rated Insulation Voltage (Ui)	1000V	Environment	
Rated Current (Ie)	32A	Operating Temperature	-20°C~+60°C
Category	DC21B/PV2	Humidity	99%
Standard Compliance with	IEC 60947-3	Altitude	2000M
Certification	UL, TUV,KEMA,SAA,CE	Installation	Wall Mounting



BHS-4



Solar DC String Box
6 in 6 out 1000V



General Data			
Model No.	BHS-6		
Input	6 strings		
Output	6 strings		
Maximum Voltage	1000V		
Maximum Current Output	32A		
Enclosure		BX-26	
Material Type	Polycarbonate/ABS		
Degree of Protection	IP65		
Degree of Resistance to Impacts	IK10		
Dimension (WxHxD)	292 x 370 x 132mm		
DC Switch Disconnecter		BYT.2-32	
Rated Insulation Voltage (Ui)	1000V	Environment	
Rated Current (Ie)	32A	Operating Temperature	-20°C~+60°C
Category	DC21B/PV2	Humidity	99%
Standard Compliance with	IEC 60947-3	Altitude	2000M
Certification	UL, TUV,KEMA,SAA,CE	Installation	Wall Mounting



BHS-6

Product Specification

KEEP INNOVATING

Door Clutch Combiner SERIES



1 INPUT 1 OUTPUT 600VDC / 1000VDC



IP66 DC string box is designed for 1 string PV system. For surge protection and isolating at solar DC side.



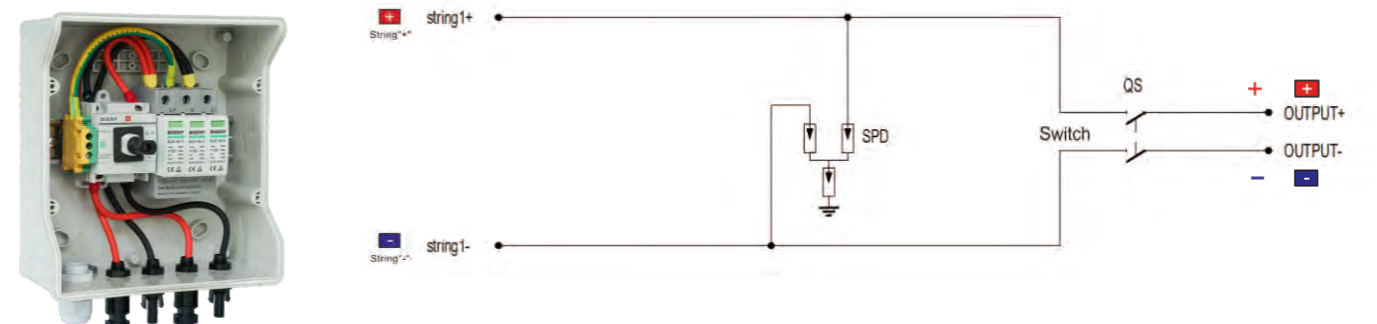
DC Isolator Switch

- ☑ UI508i approval , IEC60947-3 PV2
Cut off reverse current and over current
- ☑ Door clutch easier operating and lockable handle
- ☑ Patented DC arc extinguish chamber
- ☑ Magnetic Steels inside ensure rapid and safe extinguishing

DC SPD

- ☑ New IEC 61643, UI1449
- ☑ Designed for solar PV protection
- ☑ Higher capacity In 20KA (IEC, UL)
- ☑ Response time <25ns

Specification		Enclosure	
Model Number	BHS-1/1	Material	Polycarbonate
Input	1 strings	Degree of Protection	IP66
Output	1 strings	Impacts	IK10
Max Voltage	600V 1000V	Dimensions (W*H*D)	200*185*200
Short Circuit current per Input (Isc)	15A-30A (changeable)	Input Cable Glands	PG09, 2.5-16mm
Max Current Output	16A 25A	Output Cable Gland	PG21, 2.5-16mm
		Environment	
		Operating temperature	-25°C - +60°C



2 INPUT 1 OUTPUT 600VDC / 1000VDC



IP66 DC string box is designed for 2 string PV system.
For surge protection and isolating at solar DC side.



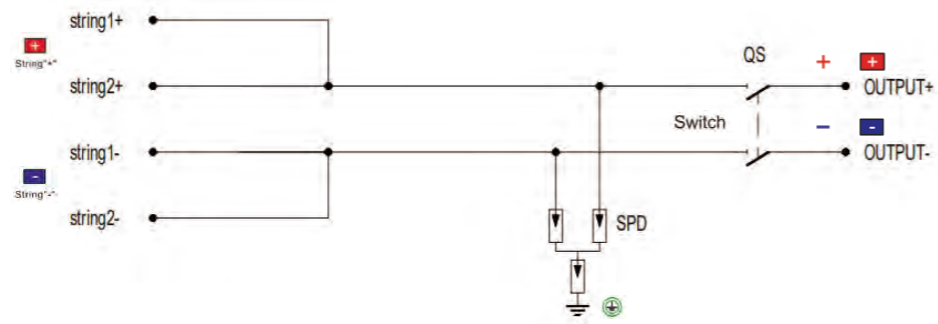
DC Switch

- ☑ UL508i approval , IEC60947-3 PV2
Cut off reverse current and over current
- ☑ Door clutch easier operating and lockable handle
- ☑ Patented DC arc extinguish chamber
- ☑ Magnetic Steels inside ensure rapid and safe extinguishing

DC SPD

- ☑ New IEC 61643, UI1449
- ☑ Designed for solar PV protection
- ☑ Higher capacity In 20KA (IEC, UL)
- ☑ Response time <25ns

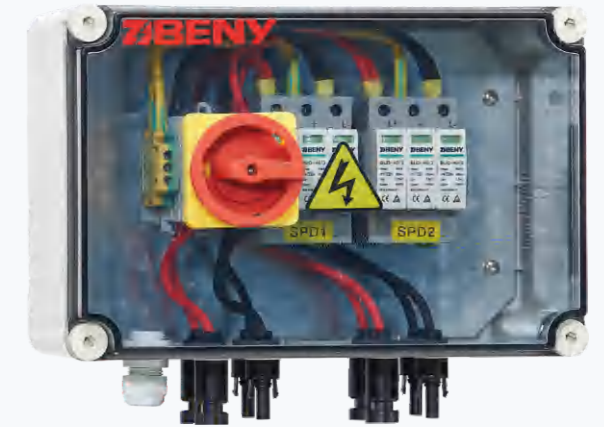
Specification		Enclosure	
Model Number	BHS-2/1	Material	Polycarbonate
Input	2 strings	Degree of Protection	IP66
Output	1 strings	Impacts	IK10
Max Voltage	1000V	Dimensions (W*H*D)	200*185*200
Short Circuit current per Input (Isc)	15A-30A (changeable)	Input Cable Glands	PG09, 2.5-16mm
Max Current Output	32A	Output Cable Gland	PG21, 2.5-16mm
		Environment	
		Operating temperature	-25°C - +60°C



2 INPUT 2 OUTPUT 600VDC / 1000VDC



IP66 DC string box is designed for 2string PV system.
For surge protection and isolating at solar DC side.



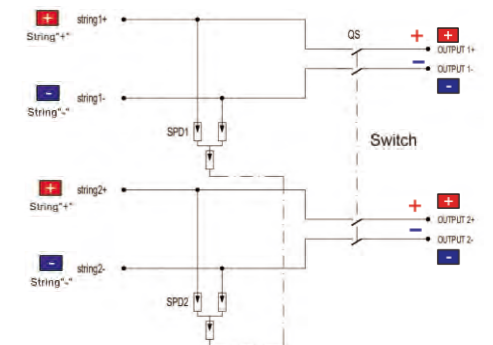
DC Switch

- ☑ UL508i approval , IEC60947-3 PV2
Cut off reverse current and over current
- ☑ Door clutch easier operating and lockable handle
- ☑ Patented DC arc extinguish chamber
- ☑ Magnetic Steels inside ensure rapid and safe extinguishing

DC SPD

- ☑ New IEC 61643, UI1449
- ☑ Designed for solar PV protection
- ☑ Higher capacity In 20KA (IEC, UL)
- ☑ Response time <25ns

Specification		Enclosure	
Model Number	BHS-2/2	Material	Polycarbonate
Input	2 strings	Degree of Protection	IP66
Output	2 strings	Impacts	IK10
Max Voltage	600V 1000V	Dimensions (W*H*D)	200*300*150
Short Circuit current per Input (Isc)	15A-30A (changeable)	Input Cable Glands	PG09, 2.5-16mm
Max Current Output	50A 50A	Output Cable Gland	PG21, 2.5-16mm
		Environment	
		Operating temperature	-25°C - +60°C



3 INPUT 1 OUTPUT 1000VDC



IP66 DC string box is designed for 3 string PV system. For current protection ,surge protection and isolating at solar DC side.



DC Switch

- ☑ UL508i approval , IEC60947-3 PV2
Cut off reverse current and over current
- ☑ Door clutch easier operating and lockable handle
- ☑ Patented DC arc extinguish chamber
- ☑ Magnetic Steels inside ensure rapid and safe extinguishing

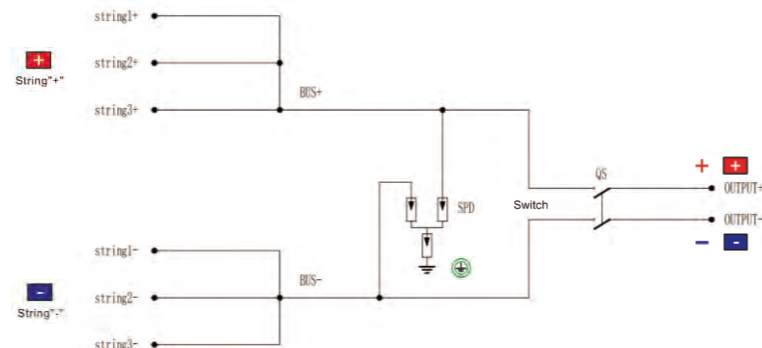
DC SPD

- ☑ New IEC 61643, UI1449
- ☑ Designed for solar PV protection
- ☑ Higher capacity In 20KA (IEC, UL)
- ☑ Response time <25ns

DC Fuse

- ☑ IEC60947-3
- ☑ LED Indicator for reminding fuse replacement
- ☑ Touch -safe

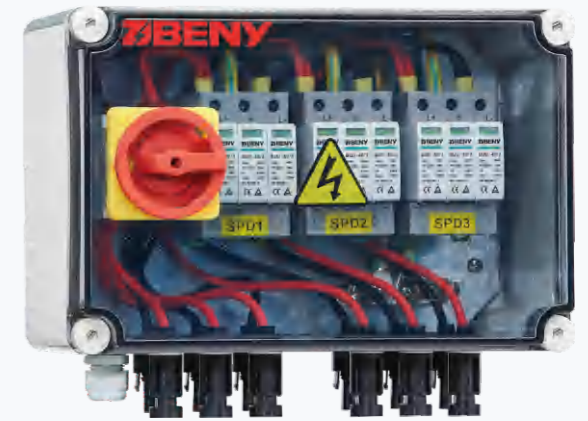
Specification		Enclosure	
Model Number	BHS-3/1	Material	Polycarbonate
Input	3 strings	Degree of Protection	IP66
Output	1 strings	Impacts	IK10
Max Voltage	1000V	Dimensions (W*H*D)	280*210*120
Short Circuit current per Input (Isc)	15A-30A (changeable)	Input Cable Glands	PG09, 2.5-16mm
Max Current Output	50A	Output Cable Gland	PG21, 2.5-16mm
		Environment	
		Operating temperature	-25°C - +60°C



3 INPUT 3 OUTPUT 600VDC / 1000VDC



IP66 DC string box is designed for 3 string PV system. For surge protection and isolating at solar DC side.



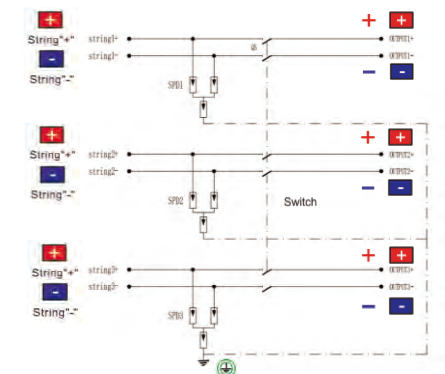
DC Switch

- ☑ UI508i approval, IEC60947-3 Pv2
Cut off reverse current and over current
- ☑ Door clutch easier operating and lockable handle
- ☑ Patented DC arc extinguish chamber
- ☑ Magnetic Steels inside ensure rapid and safe extinguishing

DC SPD

- ☑ New IEC 61643, UI1449
- ☑ Designed for solar PV protection
- ☑ Higher capacity In 20KA (IEC, UL)
- ☑ Response time <25ns

Specification		Enclosure	
Model Number	BHS-3/3	Material	Polycarbonate
Input	3 strings	Degree of Protection	IP66
Output	3 strings	Impacts	IK10
Max Voltage	600V 1000V	Dimensions (W*H*D)	200*300*150
Short Circuit current per Input (Isc)	15A-30A (changeable)	Input Cable Glands	PG09, 2.5-16mm
Max Current Output	50A 50A	Output Cable Gland	PG21, 2.5-16mm
		Environment	
		Operating temperature	-25°C - +60°C



4 INPUT 2 OUTPUT 1000VDC



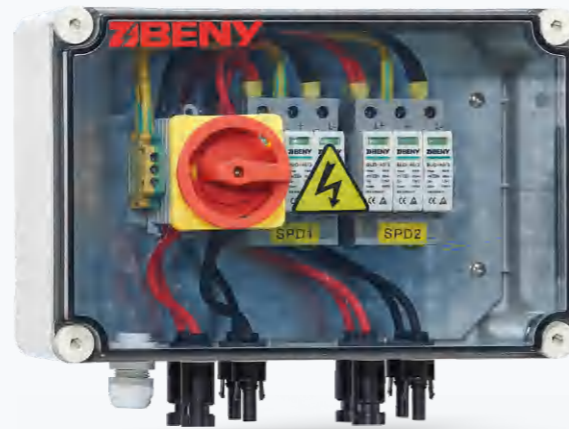
IP66 DC string box is designed for 4 string PV system.
For surge protection and isolating at solar DC side.

DC Switch

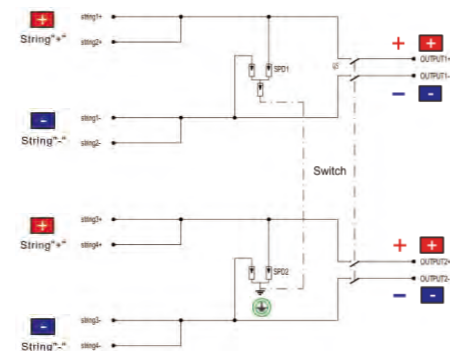
- ☑ UI508i approval, IEC60947-3 PV2
Cut off reverse current and over current
- ☑ Door clutch easier operating and lockable handle
- ☑ Patented DC arc extinguish chamber
- ☑ Magnetic Steels inside ensure rapid and safe extinguishing

DC SPD

- ☑ New IEC 61643, UI1449
- ☑ Designed for solar PV protection
- ☑ Higher capacity In 20KA (IEC, UL)
- ☑ Response time <25ns



Specification		Enclosure	
Model Number	BHS-4/2	Material	Polycarbonate
Input	4 strings	Degree of Protection	IP66
Output	2 strings	Impacts	IK10
Max Voltage	1000V	Dimensions (W*H*D)	200*300*150
Short Circuit current per Input (Isc)	15A-30A (changeable)	Input Cable Glands	PG09, 2.5-16mm
Max Current Output	50A	Output Cable Gland	PG21, 2.5-16mm
		Environment	
		Operating temperature	-25°C - +60°C



4 INPUT 4 OUTPUT 1000VDC



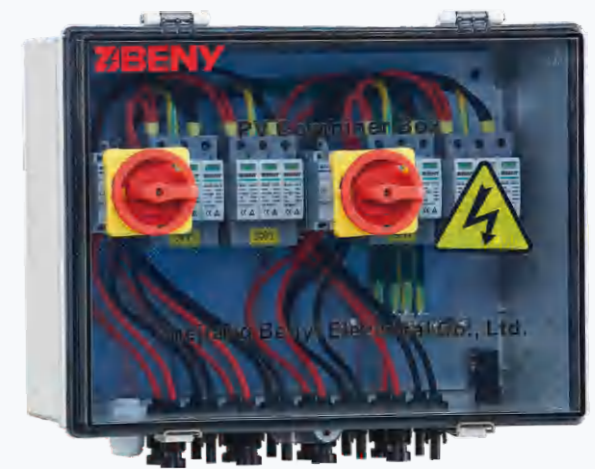
IP66 DC string box is designed for 4 string PV system.
For surge protection and isolating at solar DC side.

DC Switch

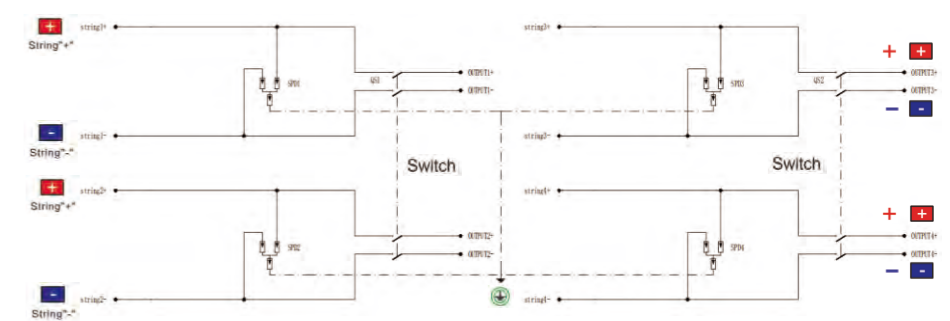
- ☑ UI508i approval, IEC60947-3 PV2
Cut off reverse current and over current
- ☑ Door clutch easier operating and lockable handle
- ☑ Patented DC arc extinguish chamber
- ☑ Magnetic Steels inside ensure rapid and safe extinguishing

DC SPD

- ☑ New IEC 61643, UI1449
- ☑ Designed for solar PV protection
- ☑ Higher capacity In 20KA (IEC, UL)
- ☑ Response time <25ns



Specification		Enclosure	
Model Number	BHS-4/4	Material	Polycarbonate
Input	4 strings	Degree of Protection	IP66
Output	4 strings	Impacts	IK10
Max Voltage	1000V	Dimensions (W*H*D)	300*400*180
Short Circuit current per Input (Isc)	15A-30A (changeable)	Input Cable Glands	PG09, 2.5-16mm
Max Current Output	50A	Output Cable Gland	PG21, 2.5-16mm
		Environment	
		Operating temperature	-25°C - +60°C



Product Specification

KEEP INNOVATING

Over-Load Protection Box SERIES



1 INPUT 1 OUTPUT 600VDC / 1000VDC

IP65 DC string box is designed for 1 string PV system.
For surge protection and over-load protection at solar DC side.

DC Breaker

- ☑ UL489B design, IEC60947-2 PV standard
- ☑ Over-load, short circuit Protection
- ☑ Non Polarity for easier wiring

DC SPD

- ☑ New IEC 61643, UL1449
- ☑ Designed for solar PV protection
- ☑ Higher capacity In 20KA (IEC, UL)
- ☑ Response time <25ns



Over-Load Protection Box

Specification	
Model Number	BHS-1/1
Input	1 string
Output	1 string
Max Voltage	600V 1000V
Rated Current of DC Breaker	15A 15A
Max Current Output	63A 40A
Enclosure	
Material	Polycarbonate/ABS
Degree of Protection	IP65
Impacts	IK10
Dimensions	BX-13: L290*W220*H120mm
Input Cable Glands	PG09, 2.5-16
Output Cable Gland	PG21, 2.5-16
Environment	
Operating temperature	-25°C - +60°C

2 INPUT 1 OUTPUT 600VDC / 1000VDC

IP65 DC string box is designed for 2 string PV system.
For surge protection and current protection at solar DC side.

DC Breaker

- ☑ UL489B PV standard and design
- ☑ Over-load and short-circuit Protection
- ☑ Non Polarity for easier wiring

DC SPD

- ☑ New IEC 61643, UL1449
- ☑ Designed for solar PV protection
- ☑ Higher capacity In 20KA (IEC, UL)
- ☑ Response time <25ns



Specification	BHS-2/1	
Model Number	BHS-2/1	
Input	2 strings	
Output	1 string	
Max Voltage	600V	1000V
Rated Current of DC Breaker	25A	25A
Max Current Output	63A	40A
Enclosure		
Material	Polycarbonate/ABS	
Degree of Protection	IP65	
Impacts	IK10	
Dimensions	BX-13: L290*W220*H120mm	
Input Cable Glands	PG09, 2.5-16	
Output Cable Gland	PG21, 2.5-16	
Environment		
Operating temperature	-25°C - +60°C	

2 INPUT 2 OUTPUT 600VDC / 1000VDC

IP65 DC string box is designed for 2 string PV system.
For surge protection and current protection at solar DC side.

DC Breaker

- ☑ UL489B PV standard
- ☑ IEC60947-2
- ☑ Over-load and short circuit Protection
- ☑ Non Polarity

DC SPD

- ☑ New IEC 61643, UL1449
- ☑ Designed for solar PV protection
- ☑ Higher capacity In 20KA (IEC, UL)
- ☑ Response time <25ns



Specification	BHS-2/2	
Model Number	BHS-2/2	
Input	2 strings	
Output	2 strings	
Max Voltage	600V	1000V
Rated Current of DC Breaker	15A	15A
Max Current Output	63A	40A
Enclosure		
Material	Polycarbonate/ABS	
Degree of Protection	IP65	
Impacts	IK10	
Dimensions	BX-13: L290*W220*H120mm	
Input Cable Glands	PG09, 2.5-16	
Output Cable Gland	PG21, 2.5-16	
Environment		
Operating temperature	-25°C - +60°C	

3 INPUT 1 OUTPUT

600VDC / 1000VDC

IP65 DC string box is designed for 3 string PV system.
For surge protection and current protection at solar DC side.

DC Breaker

- ☑ UL489B PV standard
- ☑ IEC60947-2
- ☑ Over-load and short circuit Protection
- ☑ Non Polarity

DC SPD

- ☑ New IEC 61643, UL1449
- ☑ Designed for solar PV protection
- ☑ Higher capacity In 20KA (IEC, UL)
- ☑ Response time <25ns



Specification	
Model Number	BHS-3/1
Input	3 strings
Output	1 string
Max Voltage	600V 1000V
Rated Current of DC Breaker	40A 40A
Max Current Output	63A 40A
Enclosure	
Material	Polycarbonate/ABS
Degree of Protection	IP65
Impacts	IK10
Dimensions	BX-13: L290*W220*H120mm
Input Cable Glands	PG09, 2.5-16
Output Cable Gland	PG21, 2.5-16
Environment	
Operating temperature	-25°C - +60°C

3 INPUT 3 OUTPUT

600VDC / 1000VDC

IP65 DC string box is designed for 3 string PV system.
For surge protection and current protection at solar DC side.

DC Breaker

- ☑ UL489B PV standard
- ☑ IEC60947-2
- ☑ Over-load and short circuit Protection
- ☑ Non Polarity

DC SPD

- ☑ New IEC 61643, UL1449
- ☑ Designed for solar PV protection
- ☑ Higher capacity In 20KA (IEC, UL)
- ☑ Response time <25ns



Specification	
Model Number	BHS-3/3
Input	3 strings
Output	3 strings
Max Voltage	600V 1000V
Rated Current of DC Breaker	40A 40A
Max Current Output	63A 40A
Enclosure	
Material	Polycarbonate/ABS
Degree of Protection	IP65
Impacts	IK10
Dimensions	L302*W373*H131mm
Input Cable Glands	PG09, 2.5-16
Output Cable Gland	PG21, 2.5-16
Environment	
Operating temperature	-25°C - +60°C

4 INPUT 2 OUTPUT

600VDC / 1000VDC

IP65 DC string box is designed for 3 string PV system.
For surge protection and current protection at solar DC side.

DC Breaker

- ☑ UL489B PV standard and design, IEC60947-2
- ☑ Over-load and short circuit Protection
- ☑ Non Polarity for easier wiring

DC SPD

- ☑ New IEC 61643, UL1449
- ☑ Designed for solar PV protection
- ☑ Higher capacity In 20KA (IEC, UL)
- ☑ Response time <25ns



Specification	BHS-4/2	
Model Number	BHS-4/2	
Input	4 strings	
Output	2 strings	
Max Voltage	600V	1000V
Rated Current of DC Breaker	25A/25A	25A/25A
Max Current Output	63A/63A	63A/63A
Enclosure		
Material	Polycarbonate/ABS	
Degree of Protection	IP65	
Impacts	IK10	
Dimensions	L302*W373*H131mm	
Input Cable Glands	PG09, 2.5-16	
Output Cable Gland	PG21, 2.5-16	
Environment		
Operating temperature	-25°C - +60°C	

4 INPUT 4 OUTPUT

1000VDC

IP65 DC string box is designed for 4 strings PV system.
For surge protection and current protection at solar DC side.

DC Breaker

- ☑ UL489B PV standard
- ☑ IEC60947-2
- ☑ Over-load, short circuit Protection
- ☑ Non Polarity for easier wiring

DC SPD

- ☑ New IEC 61643, UL1449
- ☑ Designed for solar PV protection
- ☑ Higher capacity In 20KA (IEC, UL)
- ☑ Response time <25ns



Specification	BHS-4/4
Model Number	BHS-4/4
Input	4 strings
Output	4 strings
Max Voltage	1000V
Rated Current of DC Breaker	32A/32A/32A/32A
Max Current Output	63A/63A/63A/63A
Enclosure	
Material	Polycarbonate/ABS
Degree of Protection	IP65
Impacts	IK10
Dimensions	L400*W500*H200mm
Input Cable Glands	PG09, 2.5-16
Output Cable Gland	PG21, 2.5-16
Environment	
Operating temperature	-25°C - +60°C

6 INPUT 2 OUTPUT 1000VDC

IP65 DC string box is designed for 6 string PV system.
For surge protection and current protection at solar DC side.

DC Breaker

- ☑ UL489B PV standard
- ☑ IEC60947-2
- ☑ Overload, short circuit Protection
- ☑ Non Polarity
- ☑ Anti re-flux protection

DC SPD

- ☑ New IEC 61643, UL1449
- ☑ Designed for solar PV protection
- ☑ Higher capacity In 20KA (IEC, UL)
- ☑ Response time <25ns



Specification	
Model Number	BHS-6/2
Input	6 strings
Output	2 strings
Max Voltage	1000V
Rated Current of DC Breaker	40A/40A
Max Current Output	63A/63A
Enclosure	
Material	Polycarbonate/ABS
Degree of Protection	IP65
Impacts	IK10
Dimensions	L302*W373*H131mm
Input Cable Glands	PG09, 2.5-16
Output Cable Gland	PG21, 2.5-16
Environment	
Operating temperature	-25°C - +60°C

6 INPUT 3 OUTPUT 1000VDC

IP65 DC string box is designed for 6 string PV system.
For surge protection and current protection at solar DC side.

DC Breaker

- ☑ UL489B PV standard
- ☑ IEC60947-2
- ☑ Overload, short circuit Protection
- ☑ Non Polarity
- ☑ Anti re-flux protection

DC SPD

- ☑ New IEC 61643, UL1449
- ☑ Designed for solar PV protection
- ☑ Higher capacity In 20KA (IEC, UL)
- ☑ Response time <25ns



Specification	
Model Number	BHS-6/3
Input	6 strings
Output	3 strings
Max Voltage	1000V
Rated Current of DC Breaker	40A/40A/40A
Max Current Output	40A/40A/40A
Enclosure	
Material	Polycarbonate/ABS
Degree of Protection	IP65
Impacts	IK10
Dimensions	L313*W553*H149mm
Input Cable Glands	PG09, 2.5-16
Output Cable Gland	PG21, 2.5-16
Environment	
Operating temperature	-25°C - +60°C

6 INPUT 6 OUTPUT 1000VDC

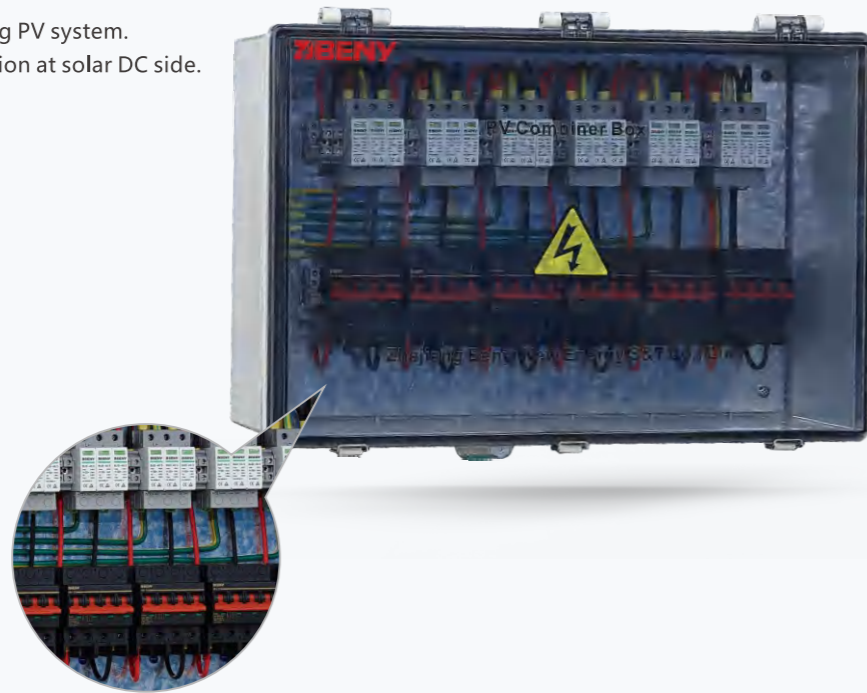
IP65 DC string box is designed for 6 string PV system.
For surge protection and current protection at solar DC side.

DC Breaker

- ☑ UL489B PV standard , IEC60947-2
- ☑ Over-load, short circuit Protection
- ☑ Non Polarity

DC SPD

- ☑ New IEC 61643, UL1449
- ☑ Designed for solar PV protection
- ☑ Higher capacity In 20KA (IEC, UL)
- ☑ Response time <25ns



Specification	
Model Number	BHS-6/6
Input	6 strings
Output	6 strings
Max Voltage	1000V
Rated Current of DC Breaker	32A/32A/32A/32A/32A/32A
Max Current Output	40A/40A/40A/40A/40A/40A
Enclosure	
Material	Polycarbonate/ABS
Degree of Protection	IP65
Impacts	IK10
Dimensions	L400*W600*H230mm
Input Cable Glands	PG09, 2.5-16
Output Cable Gland	PG21, 2.5-16
Environment	
Operating temperature	-25°C - +60°C

Product Specification

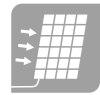
KEEP INNOVATING

Solar Combiner Box SERIES



Solar Combiner Box





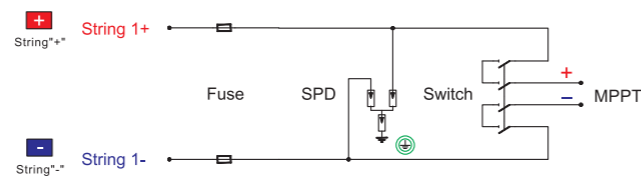
Solar DC String Box
1 in 1 out DC 1000V



General Data		DC Surge Arrester	BUD-40/3
Model No.	BHS-1/1	Max Operation Voltage (Ucpv)	1000V
Input	1 string	Standard Compliance with	EN 50539 Type 2
Output	1 string	Maximum Discharge Current	40 KA
Maximum Voltage	1000V	Certification	TUV CE
Max DC Short Circuit Current Per Input (Isc)	15A (Changeable)		
Maximum Current Output	32A		
Enclosure		DC fuse holder	BR-30
Material Type	Polycarbonate/ABS	LED Indicator	Yes
Degree of Protection	IP65	Rated Working Voltage	1000V
Degree of Resistance to Impacts	IK10	Fuse Link	10x38mm LITTEL 15A
Dimension (WxHxD)	292 x 220 x 120mm	Certification	UL, CB, CE
Cable input Entry	PG09 Cable Gland, 2.5-16mm ²		
Output Cable Gland	PG21 2.5-16mm ²		
DC Switch Disconnecter		Environment	
Rated Insulation Voltage (Ui)	1000V	Operating Temperature	-20°C~+60°C
Rated Current (Ie)	32A	Humidity	99%
Category	DC21B/PV2	Altitude	2000M
Standard Compliance with	IEC 60947-3	Installation	Wall Mounting
Certification	UL, TUV, KEMA, SAA, CE		



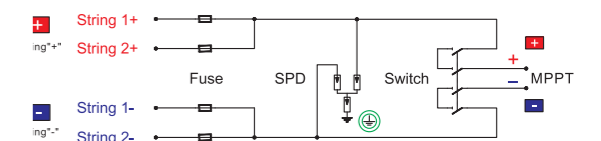
BHS-1/1



Solar Combiner Box
2 in 1 out DC 1000V



General Data		DC Surge Arrester	BUD-40/3
Model No.	BHS-2/1	Max Operation Voltage (Ucpv)	1000V
Input	2 strings	Standard Compliance with	EN 50539 Type 2
Output	1 string	Maximum Discharge Current	40 KA
Maximum Voltage	1000V	Certification	TUV CE
Max DC Short Circuit Current Per Input (Isc)	15A (Changeable)		
Maximum Current Output	32A		
Enclosure		DC fuse holder	BR-30
Material Type	Polycarbonate/ABS	LED Indicator	Yes
Degree of Protection	IP65	Rated Working Voltage	1000V
Degree of Resistance to Impacts	IK10	Fuse Link	10x38mm LITTEL 15A
Dimension (WxHxD)	292 x 220 x 120mm	Certification	UL, CB, CE
Cable input Entry	PG09 Cable Gland, 2.5-16mm ²		
Output Cable Gland	PG21 2.5-16mm ²		
DC Switch Disconnecter		Environment	
Rated Insulation Voltage (Ui)	1000V	Operating Temperature	-20°C~+60°C
Rated Current (Ie)	32A	Humidity	99%
Category	DC21B/PV2	Altitude	2000M
Standard Compliance with	IEC 60947-3	Installation	Wall Mounting
Certification	UL, TUV, KEMA, SAA, CE		



Solar Combiner Box

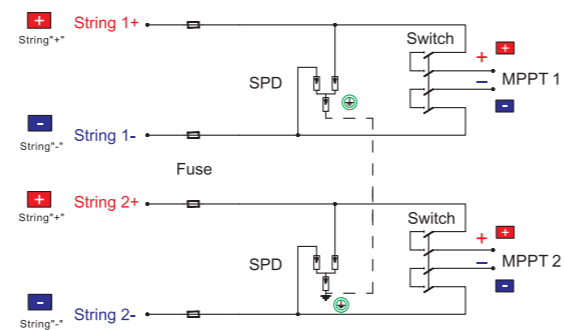
Solar DC String Box
2 in 2 out DC 1000V



General Data		DC Surge Arrester BUD-40/3	
Model No.	BHS-2/2	Max Operation Voltage (Ucpv)	1000V
Input	2 strings	Standard Compliance with	EN 50539 Type 2
Output	2 strings	Maximum Discharge Current	40 KA
Maximum Voltage	1000V	Certification	TUV CE
Max DC Short Circuit Current Per Input (Isc)	15A (Changeable)		
Maximum Current Output	32A		
Enclosure BX-26		DC fuse holder BR-30	
Material Type	Polycarbonate/ABS	LED Indicator	Yes
Degree of Protection	IP65	Rated Working Voltage	1000V
Degree of Resistance to Impacts	IK10	Fuse Link	10x38mm LITTEL 15A
Dimension (WxHxD)	292 x 370 x 132mm	Certification	UL,CB,CE
Cable input Entry	PG09 Cable Gland, 2.5-16mm ²		
Output Cable Gland	PG21 2.5-16mm ²		
DC Switch Disconnecter BYT.2-32		Environment	
Rated Insulation Voltage (Ui)	1000V	Operating Temperature	-20°C~+60°C
Rated Current (Ie)	32A	Humidity	99%
Category	DC21B/PV2	Altitude	2000M
Standard Compliance with	IEC 60947-3	Installation	Wall Mounting
Certification	UL, TUV,KEMA,SAA,CE		



BHS-2/2



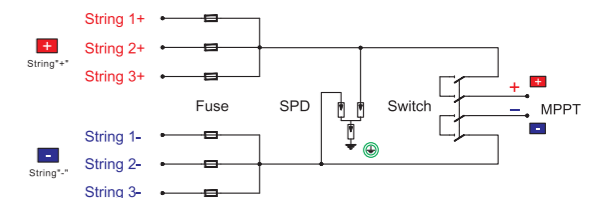
Solar Combiner Box
3 in 1 out DC 1000V



General Data		DC Surge Arrester BUD-40/3	
Model No.	BHS-3/1	Max Operation Voltage (Ucpv)	1000V
Input	3 strings	Standard Compliance with	EN 50539 Type 2
Output	1 string	Maximum Discharge Current	40 KA
Maximum Voltage	1000V	Certification	TUV CE
Max DC Short Circuit Current Per Input (Isc)	15A (Changeable)		
Maximum Current Output	32A		
Enclosure BX-13		DC fuse holder BR-30	
Material Type	Polycarbonate/ABS	LED Indicator	Yes
Degree of Protection	IP65	Rated Working Voltage	1000V
Degree of Resistance to Impacts	IK10	Fuse Link	10x38mm LITTEL 15A
Dimension (WxHxD)	292 x 220 x 120mm	Certification	UL,CB,CE
Cable input Entry	PG09 Cable Gland, 2.5-16mm ²		
Output Cable Gland	PG21 2.5-16mm ²		
DC Switch Disconnecter BYT.2-32		Environment	
Rated Insulation Voltage (Ui)	1000V	Operating Temperature	-20°C~+60°C
Rated Current (Ie)	32A	Humidity	99%
Category	DC21B/PV2	Altitude	2000M
Standard Compliance with	IEC 60947-3	Installation	Wall Mounting
Certification	UL, TUV,KEMA,SAA,CE		



BHS-3/1



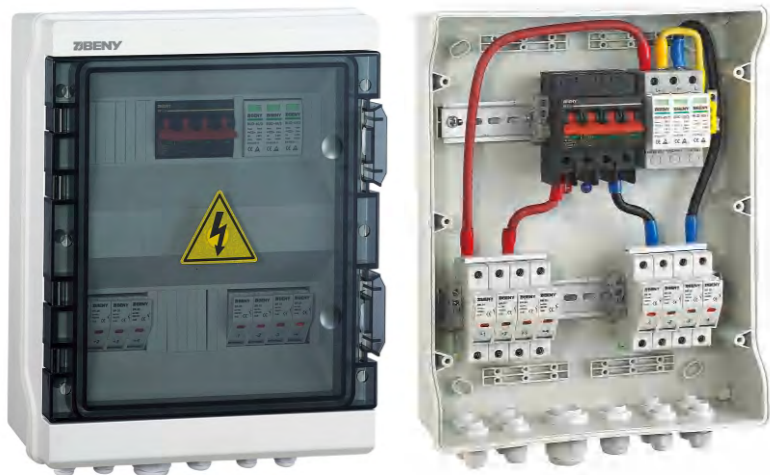
Solar Combiner Box



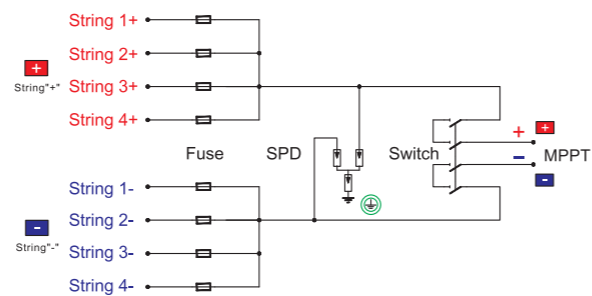
Solar Combiner Box
4 in 1 out DC 1000V



General Data		DC Surge Arrester	BUD-40/3
Model No.	BHS-4/1	Max Operation Voltage (Ucpv)	1000V
Input	4 strings	Standard Compliance with	EN 50539 Type 2
Output	1 string	Maximum Discharge Current	40 KA
Maximum Voltage	1000V	Certification	TUV CE
Max DC Short Circuit Current Per Input (Isc)	15A (Changeable)		
Maximum Current Output	63A		
Enclosure		DC fuse holder	BR-30
Material Type	Polycarbonate/ABS	LED Indicator	Yes
Degree of Protection	IP65	Rated Working Voltage	1000V
Degree of Resistance to Impacts	IK10	Fuse Link	10x38mm LITTEL 15A
Dimension (WxHxD)	292 x 370x 132mm	Certification	UL, CB, CE
Cable input Entry	PG09 Cable Gland, 2.5-16mm ²		
Output Cable Gland	PG21 2.5-16mm ²		
DC Switch Disconnecter		Environment	
Rated Insulation Voltage (Ui)	1000V	Operating Temperature	-20°C~+60°C
Rated Current (Ie)	63A	Humidity	99%
Category	DC21B	Altitude	2000M
Standard Compliance with	IEC 60947-3	Installation	Wall Mounting
Certification	CB, CE		



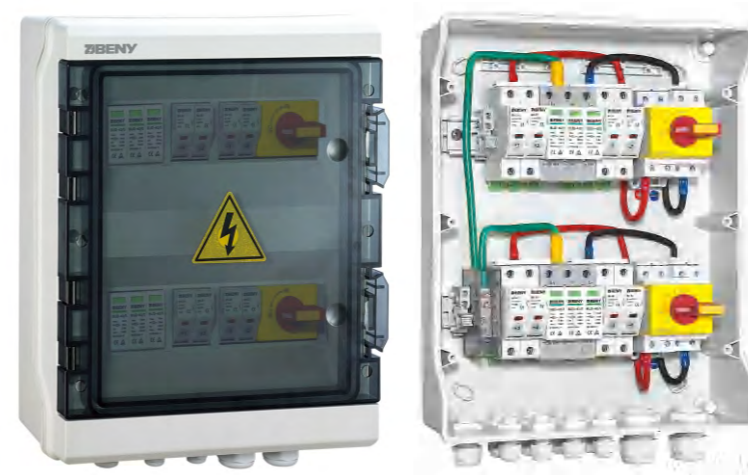
BHS-4/1



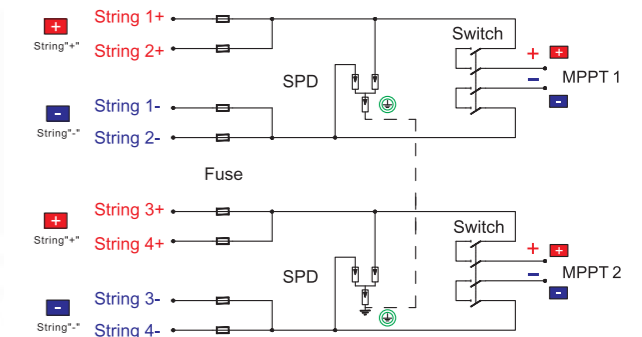
Solar Combiner Box
4 in 2 out DC 1000V



General Data		DC Surge Arrester	BUD-40/3
Model No.	BHS-4/2	Max Operation Voltage (Ucpv)	1000V
Input	4 strings	Standard Compliance with	EN 50539 Type 2
Output	2 strings	Maximum Discharge Current	40 KA
Maximum Voltage	1000V	Certification	TUV CE
Max DC Short Circuit Current Per Input (Isc)	15A (Changeable)		
Maximum Current Output	32A		
Enclosure		DC fuse holder	BR-30
Material Type	Polycarbonate/ABS	LED Indicator	Yes
Degree of Protection	IP65	Rated Working Voltage	1000V
Degree of Resistance to Impacts	IK10	Fuse Link	10x38mm LITTEL 15A
Dimension (WxHxD)	292 x370 x 132mm	Certification	UL, CB, CE
Cable input Entry	PG09 Cable Gland, 2.5-16mm ²		
Output Cable Gland	PG21 2.5-16mm ²		
DC Switch Disconnecter		Environment	
Rated Insulation Voltage (Ui)	1000V	Operating Temperature	-20°C~+60°C
Rated Current (Ie)	32A	Humidity	99%
Category	DC21B/PV2	Altitude	2000M
Standard Compliance with	IEC 60947-3	Installation	Wall Mounting
Certification	UL, TUV, KEMA, SAA, CE		



BHS-4/2



Solar Combiner Box

Solar Combiner Box

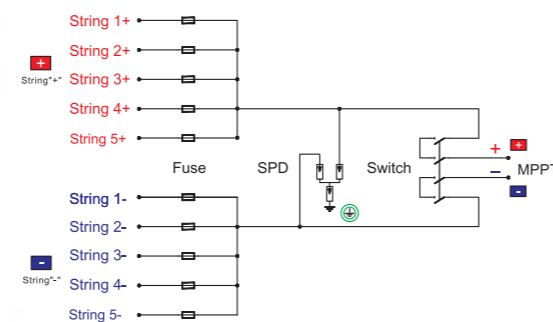
5 in 1 out DC 1000V



General Data		DC Surge Arrester	BUD-40/3
Model No.	BHS-5/1	Max Operation Voltage (Ucpv)	1000V
Input	5 strings	Standard Compliance with	EN 50539 Type 2
Output	1 string	Maximum Discharge Current	40 KA
Maximum Voltage	1000V	Certification	TUV CE
Max DC Short Circuit Current Per Input (Isc)	15A (Changeable)		
Maximum Current Output	63A		
Enclosure		DC fuse holder	BR-30
Material Type	Polycarbonate/ABS	LED Indicator	Yes
Degree of Protection	IP65	Rated Working Voltage	1000V
Degree of Resistance to Impacts	IK10	Fuse Link	10x38mm LITTEL 15A
Dimension (WxHxD)	292 x 370x 132mm	Certification	UL, CB, CE
Cable input Entry	PG09 Cable Gland, 2.5-16mm ²		
Output Cable Gland	PG21 2.5-16mm ²		
DC Switch Disconnecter		Environment	
Rated Insulation Voltage (Ui)	1000V	Operating Temperature	-20°C~+60°C
Rated Current (Ie)	63A	Humidity	99%
Category	DC21B	Altitude	2000M
Standard Compliance with	IEC 60947-3	Installation	Wall Mounting
Certification	CB, CE		



BHS-5/1



Solar Combiner Box

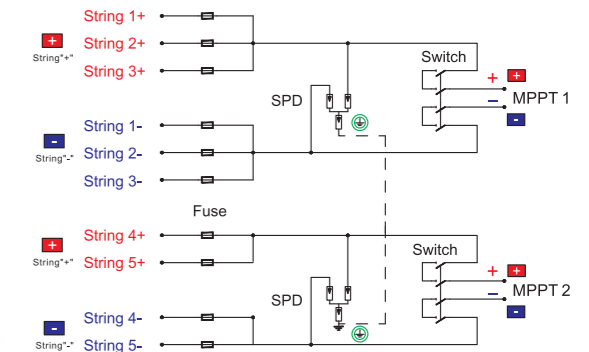
5 in 2 out DC 1000V



General Data		DC Surge Arrester	BUD-40/3
Model No.	BHS-5/2	Max Operation Voltage (Ucpv)	1000V
Input	5 strings	Standard Compliance with	EN 50539 Type 2
Output	2 strings	Maximum Discharge Current	40 KA
Maximum Voltage	1000V	Certification	TUV CE
Max DC Short Circuit Current Per Input (Isc)	15A (Changeable)		
Maximum Current Output	32A		
Enclosure		DC fuse holder	BR-30
Material Type	Polycarbonate/ABS	LED Indicator	Yes
Degree of Protection	IP65	Rated Working Voltage	1000V
Degree of Resistance to Impacts	IK10	Fuse Link	10x38mm LITTEL 15A
Dimension (WxHxD)	292 x370 x 132mm	Certification	UL, CB, CE
Cable input Entry	PG09 Cable Gland, 2.5-16mm ²		
Output Cable Gland	PG21 2.5-16mm ²		
DC Switch Disconnecter		Environment	
Rated Insulation Voltage (Ui)	1000V	Operating Temperature	-20°C~+60°C
Rated Current (Ie)	32A	Humidity	99%
Category	DC21B/PV2	Altitude	2000M
Standard Compliance with	IEC 60947-3	Installation	Wall Mounting
Certification	UL, TUV, KEMA, SAA, CE		



BHS-5/2



Solar Combiner Box



Solar Combiner Box
6 in 2 out DC 1000V



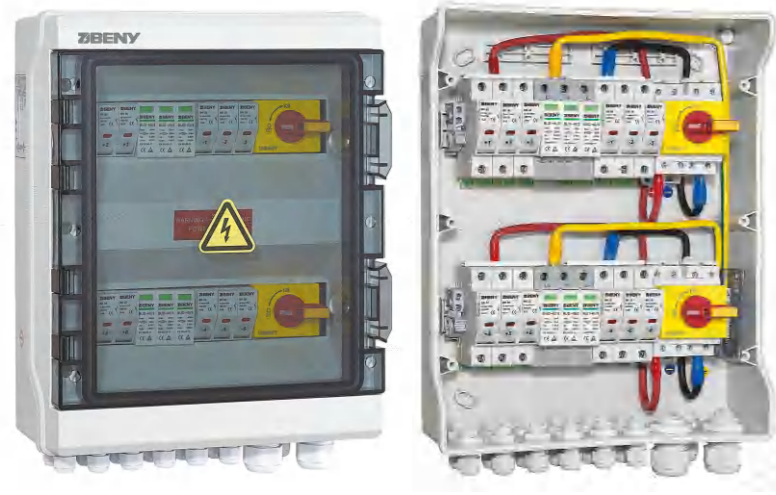
General Data		DC Surge Arrester	BUD-40/3
Model No.	BHS-6/2	Max Operation Voltage (Ucpv)	1000V
Input	6 strings	Standard Compliance with	EN 50539 Type 2
Output	2 strings	Maximum Discharge Current	40 KA
Maximum Voltage	1000V	Certification	TUV CE
Max DC Short Circuit Current Per Input (Isc)	15A (Changeable)		
Maximum Current Output	32A		
Enclosure		DC fuse holder	BR-30
Material Type	Polycarbonate/ABS	LED Indicator	Yes
Degree of Protection	IP65	Rated Working Voltage	1000V
Degree of Resistance to Impacts	IK10	Fuse Link	10x38mm LITTEL 15A
Dimension (WxHxD)	292 x 370x 132mm	Certification	UL, CB, CE
Cable input Entry	PG09 Cable Gland, 2.5-16mm ²		
Output Cable Gland	PG21 2.5-16mm ²		
DC Switch Disconnecter		Environment	
Rated Insulation Voltage (Ui)	1000V	Operating Temperature	-20°C~+60°C
Rated Current (Ie)	32A	Humidity	99%
Category	DC21B/PV2	Altitude	2000M
Standard Compliance with	IEC 60947-3	Installation	Wall Mounting
Certification	UL, TUV, KEMA, SAA, CE		



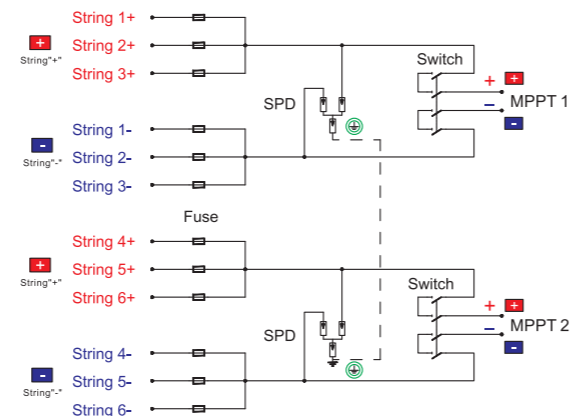
Solar DC String Box
1 in 1 out 600V



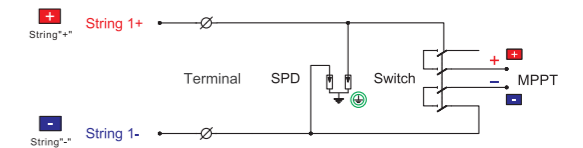
General Data		DC Surge Arrester	BUD-40/2
Model No.	BHS-1M 600V	Max Operation Voltage (Ucpv)	600V
Input	1 string	Standard Compliance with	EN 50539 Type 2
Output	1 string	Maximum Discharge Current	40 KA
Maximum Voltage	600V	Certification	TUV CE
Maximum Current Output	32A		
Enclosure		Environment	
Material Type	Polycarbonate/ABS	Operating Temperature	-20°C~+60°C
Degree of Protection	IP65	Humidity	99%
Degree of Resistance to Impacts	IK10	Altitude	2000M
Dimension (WxHxD)	210 x 194 x 120mm	Installation	Wall Mounting
Cable input Entry	MC4		
Output Cable Gland	MC4		
DC Switch Disconnecter		Environment	
Rated Insulation Voltage (Ui)	600V	Operating Temperature	-20°C~+60°C
Rated Current (Ie)	32A	Humidity	99%
Category	DC21B/PV2	Altitude	2000M
Standard Compliance with	IEC 60947-3	Installation	Wall Mounting
Certification	UL, TUV, KEMA, SAA, CE		



BHS-6/2



BHS-1/1M 600V





Solar DC Combiner Box

2 in 1 out 600V



General Data		DC Surge Arrester	BUD-40/2
Model No.	BHS-2M 600V	Max Operation Voltage (Ucpv)	600V
Input	2 string	Standard Compliance with	EN 50539 Type 2
Output	1 string	Maximum Discharge Current	40 KA
Maximum Voltage	600V	Certification	TUV CE
Maximum Current Output	32A		
Enclosure		Environment	
Material Type	BX-08 Polycarbonate/ABS	Operating Temperature	-20°C~+60°C
Degree of Protection	IP65	Humidity	99%
Degree of Resistance to Impacts	IK10	Altitude	2000M
Dimension (WxHxD)	210 x 194 x 120mm	Installation	Wall Mounting
Input	MC4		
Output	MC4		
DC Switch Disconnecter			
Rated Insulation Voltage (Ui)	600V		
Rated Current (Ie)	32A		
Category	DC21B/PV2		
Standard Compliance with	IEC 60947-3		
Certification	UL, TUV,KEMA,SAA,CE		



Solar DC String Box

2 in 2 out 600V

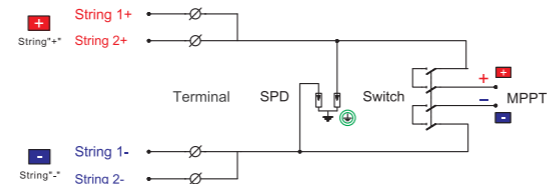


General Data		DC Surge Arrester	BUD-40/2
Model No.	BHS-2M 600V	Max Operation Voltage (Ucpv)	600V
Input	2 string	Standard Compliance with	EN 50539 Type 2
Output	2 string	Maximum Discharge Current	40 KA
Maximum Voltage	600V	Certification	TUV CE
Maximum Current Output	32A		
Enclosure		Environment	
Material Type	BX-15 Polycarbonate/ABS	Operating Temperature	-20°C~+60°C
Degree of Protection	IP65	Humidity	99%
Degree of Resistance to Impacts	IK10	Altitude	2000M
Dimension (WxHxD)	331 x 210 x 122mm	Installation	Wall Mounting
Input	MC4		
Output	MC4		
DC Switch Disconnecter			
Rated Insulation Voltage (Ui)	600V		
Rated Current (Ie)	32A		
Category	DC21B/PV2		
Standard Compliance with	IEC 60947-3		
Certification	UL, TUV,KEMA,SAA,CE		

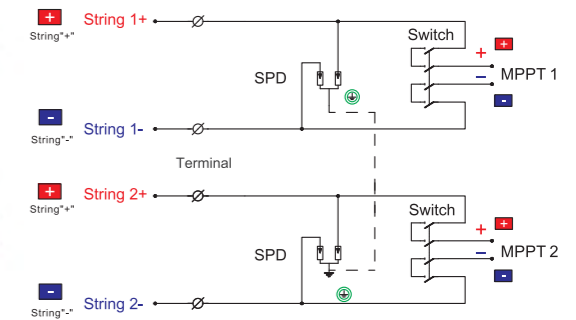
Solar Combiner Box



BHS-2/1M 600V



BHS-2-2M 600V





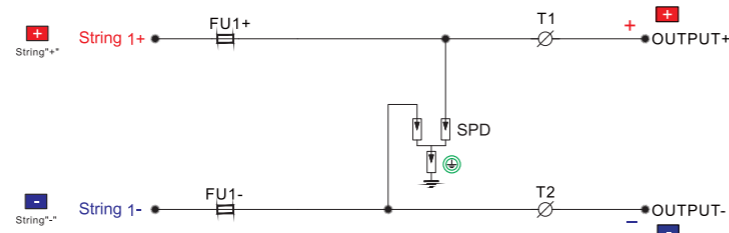
Solar DC String Box
1 in 1 out DC 1000V



General Data		DC Surge Arrester	BUD-S1000
Model No.	BHS-1/1	Max Operation Voltage (Ucpv)	1000V
Input	1 string	Standard Compliance with	EN 50539 Type 1+2
Output	1 string	Maximum Discharge Current	40 KA
Maximum Voltage	1000V	Certification	TUV CE
Max DC Short Circuit Current Per Input (Isc)	15A(Changeable)		
Maximum Current Output	15A		
Enclosure		Environment	
Material Type	Polycarbonate/ABS	Operating Temperature	-20°C~+60°C
Degree of Protection	IP65	Humidity	99%
Degree of Resistance to Impacts	IK10	Altitude	2000M
Dimension (WxHxD)	197x210x120mm	Installation	Wall Mounting
Cable input Entry	PG09 Cable Gland,4-8mm ²		
Output Cable Gland	PG09 Cable Gland,4-8mm ²		
DC fuse holder		BR-30	
LED Indicator	Yes		
Rated Working Voltage	1000V		
Fuse Link	10×38mm OANISO 15A		
Certification	UL,CB,CE		



BHS-1/1



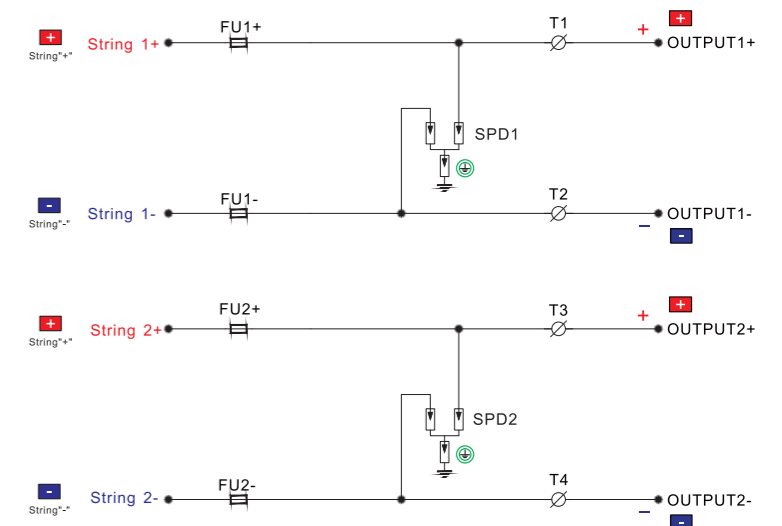
Solar DC String Box
2 in 2 out DC 1000V



General Data		DC Surge Arrester	BUD-S1000
Model No.	BHS-2/2	Max Operation Voltage (Ucpv)	1000V
Input	2 strings	Standard Compliance with	EN 50539 Type 1+2
Output	2 strings	Maximum Discharge Current	40 KA
Maximum Voltage	1000V	Certification	TUV CE
Max DC Short Circuit Current Per Input (Isc)	15A(Changeable)		
Maximum Current Output	15A		
Enclosure		Environment	
Material Type	Polycarbonate/ABS	Operating Temperature	-20°C~+60°C
Degree of Protection	IP65	Humidity	99%
Degree of Resistance to Impacts	IK10	Altitude	2000M
Dimension (WxHxD)	304x373x132mm	Installation	Wall Mounting
Cable input Entry	PG09 Cable Gland,4-8mm ²		
Output Cable Gland	PG09 Cable Gland,4-8mm ²		
DC fuse holder		BR-30	
LED Indicator	Yes		
Rated Working Voltage	1000V		
Fuse Link	10×38mm OANISO 15A		
Certification	UL,CB,CE		



BHS-2/2



Solar Combiner Box

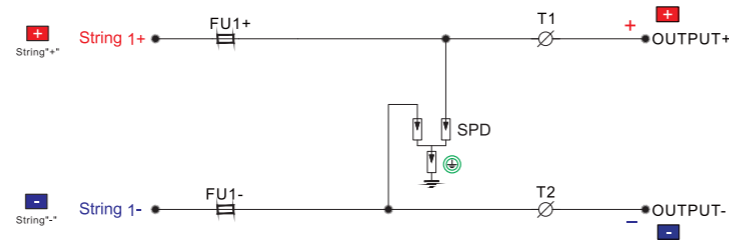
Solar DC String Box
1 in 1 out DC 1000V



General Data		DC Surge Arrester	BUD-40/3
Model No.	BHS-1/1	Max Operation Voltage (Ucpv)	1000V
Input	1 string	Standard Compliance with	EN 50539 Type 2
Output	1 string	Maximum Discharge Current	40 KA
Maximum Voltage	1000V	Certification	TUV CE
Max DC Short Circuit Current Per Input (Isc)	15A(Changeable)		
Maximum Current Output	15A		
Enclosure		Environment	
Material Type	BX-08 Polycarbonate/ABS	Operating Temperature	-20°C~+60°C
Degree of Protection	IP65	Humidity	99%
Degree of Resistance to Impacts	IK10	Altitude	2000M
Dimension (WxHxD)	197x210x120mm	Installation	Wall Mounting
Cable input Entry	PG09 Cable Gland,4-8mm ²		
Output Cable Gland	PG09 Cable Gland,4-8mm ²		
DC fuse holder		BR-30	
LED Indicator	Yes		
Rated Working Voltage	1000V		
Fuse Link	10×38mm OANISO 15A		
Certification	UL,CB,CE		



BHS-1/1



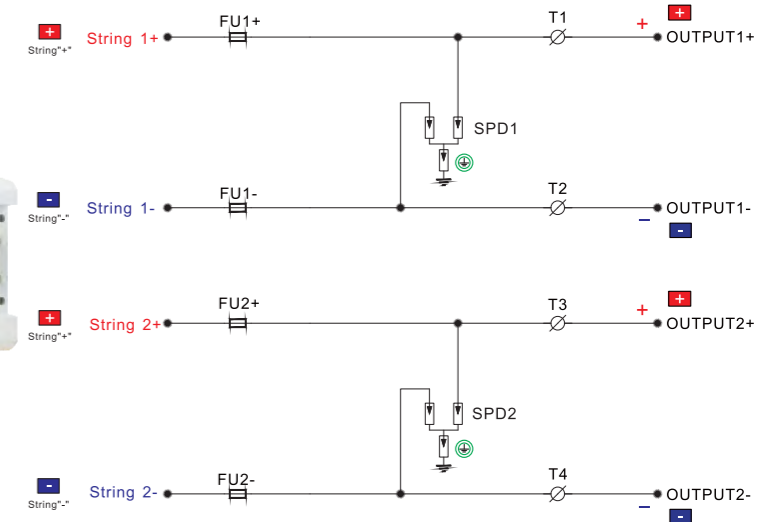
Solar DC String Box
2 in 2 out DC 1000V



General Data		DC Surge Arrester	BUD-40/3
Model No.	BHS-2/2	Max Operation Voltage (Ucpv)	1000V
Input	2 strings	Standard Compliance with	EN 50539 Type 1+2
Output	2 strings	Maximum Discharge Current	40 KA
Maximum Voltage	1000V	Certification	TUV CE
Max DC Short Circuit Current Per Input (Isc)	15A(Changeable)		
Maximum Current Output	15A		
Enclosure		Environment	
Material Type	BX-26 Polycarbonate/ABS	Operating Temperature	-20°C~+60°C
Degree of Protection	IP65	Humidity	99%
Degree of Resistance to Impacts	IK10	Altitude	2000M
Dimension (WxHxD)	334x210x122mm	Installation	Wall Mounting
Cable input Entry	PG09 Cable Gland,4-8mm ²		
Output Cable Gland	PG09 Cable Gland,4-8mm ²		
DC fuse holder		BR-30	
LED Indicator	Yes		
Rated Working Voltage	1000V		
Fuse Link	10×38mm OANISO 15A		
Certification	UL,CB,CE		



BHS-2/2



Solar Combiner Box

KEEP INNOVATING

DC + AC Combiner SERIES



DC+AC FOR SOLAR 1 STRING



IP65 DC + AC box includes the DC and AC protection for solar PV system. Over-voltage and over-load protection for solar DC side. AC breaker and AC surge arrester at AC side. An isolating plastic plate between DC components and AC components ensure safety operating.



DC Breaker

- UL508i approval and design, IEC60947
- Over load protection
- Non-polarity for easier wiring

DC SPD

- New IEC 61643, UI1449
- Designed for solar PV protection
- Higher capacity In 20KA (IEC, UL)
- Response time <25ns

DC+AC Combiner Box

Specification		Enclosure		
Model Number	BHS-1/1	Material	Powder Coating Metal	
Input	1 strings	Degree of Protection	IP65	
Output	1 strings	Impacts	IK10	
Max Voltage	600V	1000V	Dimensions (W*H*D)	300*300*150
Max Current Output	15A	15A	Input Cable Glands	PG09, 2.5-16
	63A	40A	Output Cable Gland	PG21, 2.5-16
AC Breaker	220V 20A-63A		Environment	
AC SPD	275V AC		Operating temperature	-25°C - +60°C

DC+AC FOR SOLAR 2 STRINGS



DC Breaker

- ☑ UL508i approval and design, IEC60947
- ☑ Over load protection
- ☑ Non-polarity for easier wiring

DC SPD

- ☑ New IEC 61643, UI1449
- ☑ Designed for solar PV protection
- ☑ Higher capacity In 20KA (IEC, UL)
- ☑ Response time <25ns

Specification		Enclosure		
Model Number	BHS-2/2	Material	Powder Coating Metal	
Input	2 strings	Degree of Protection	IP65	
Output	2 strings	Impacts	IK10	
Max Voltage	600V	1000V	Dimensions (W*H*D)	400*300*150
Max Current Output	15A	15A	Input Cable Glands	PG09, 2.5-16
	63A	40A	Output Cable Gland	PG21, 2.5-16
AC Breaker	220V 20A-63A		Environment	
AC SPD	275V AC		Operating temperature	-25°C - +60°C

Product Specification

KEEP INNOVATING

AC Distribution Box



AC Distribution Box





AC Box
BBWX AC Distribution Box



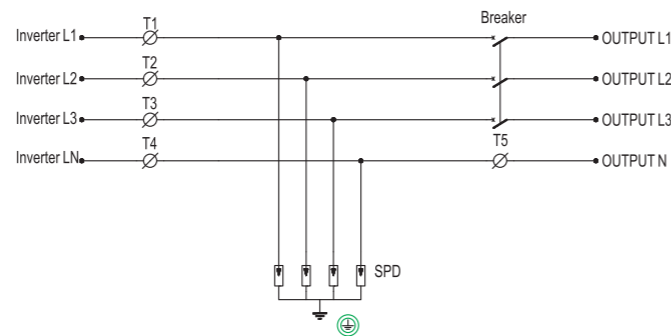
General Data		AC Surge Arrester	
Model No.	BBWX	Electric rating	220V~440V, 50-60HZ
Rated Voltage	AC 220V~400V	Maximum Discharge Current	40 KA
Rated Current	0-125A	Standard Compliance with	EN 61643-11
Rated frequency	50-60Hz	Certification	CE

Enclosure		Environment	
Material Type	Polycarbonate/ABS	Operating Temperature	-20°C~+60°C
Degree of Protection	IP65	Humidity	99%
Degree of Resistance to Impacts	IK10	Altitude	2000M
Dimension (WxHxD)	292 x 220x 120mm	Installation	Wall Mounting
Cable input Entry	PG25 2.5-25mm ²		
Output Cable Gland	PG25 2.5-25mm ²		

Modular measurement and control relays	
Network number of phases	Single Phase/3 Phases
Rated Current	0-125A
Measurement range	220V~400V voltage AC
Supply frequency	50~60 Hz ± 10%



BBWX



Type B RCD Box
1 in 1 out AC 400V



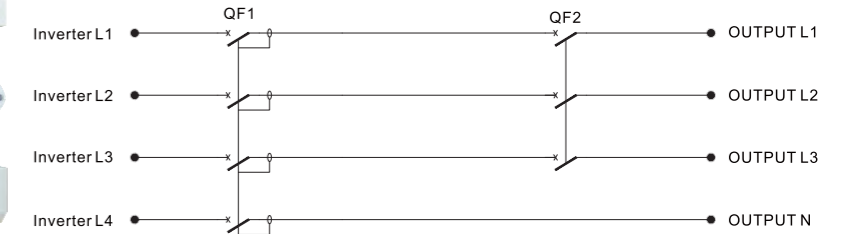
General Data		Miniature circuit Breaker	NB1-63H/3P B25A
Model No.	BBWX-1/1	Rated Voltage (Ue)	400VAC
Input	1 string	Rated Current (In)	25A
Output	1 string	Standard Compliance with	IEC 60898-1, GB/T 10963.1
Maximum Voltage	400V	Certification	CE, CCC, SEMKO
Max DC Short Circuit Current Per Input (Isc)	25A (Changeable)	Instantaneous trip type	Type B
Maximum Current Output	25A		

Enclosure		Environment	
Material Type	Polycarbonate/ABS	Operating Temperature	-20°C~+60°C
Degree of Protection	IP65	Humidity	99%
Degree of Resistance to Impacts	IK10	Altitude	2000M
Dimension (WxHxD)	197x210x120mm	Installation	Wall Mounting
Cable input Entry	PG25 Cable Gland, 13-21mm ²		
Output Cable Gland	PG25 Cable Gland, 13-21mm ²		

Residual current circuit Breaker		NL210
Rated Voltage (Ue)	AC 400V/415V	
Rated Current (In)	25A	
Standard Compliance with	IEC 61008-1 62423, GB/T 16916.1 22794	
Certification	CE, CCC, KEMA-KEUR	
Rated residual action current	0.3A	



BBWX-1/1



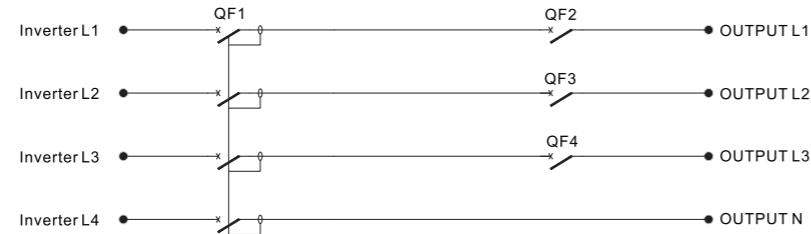
AC Distribution Box



Type B RCD Box
1 in 3 out AC 400V



General Data		Miniature circuit Breaker	NB1-63H/1P B16A
Model No.	BBWX-1/3	Rated Voltage (Ue)	400VAC
Input	1 string	Rated Current (In)	16A
Output	3 strings	Standard Compliance with	IEC 60898-1,GB/T 10963.1
Maximum Voltage	400V	Certification	CE,CCC,SEMKO
Max DC Short Circuit Current Per Input (Isc)	25A(Changeable)	Instantaneous trip type	Type B
Maximum Current Output	16A		
Enclosure		Environment	
Material Type	BX-08 Polycarbonate/ABS	Operating Temperature	-20°C~+60°C
Degree of Protection	IP65	Humidity	99%
Degree of Resistance to Impacts	IK10	Altitude	2000M
Dimension (WxHxD)	197x210x120mm	Installation	Wall Mounting
Cable input Entry	PG25 Cable Gland,13-21mm ²		
Output Cable Gland	PG13.5 Cable Gland,6.7-12mm ²		
Residual current circuit Breaker		NL210	
Rated Voltage (Ue)	AC 400V/415V		
Rated Current (In)	25A		
Standard Compliance with	IEC 61008-1 62423,GB/T 16916.1 22794		
Certification	CE,CCC,KEMA-KEUR		
Rated residual action current	0.3A		



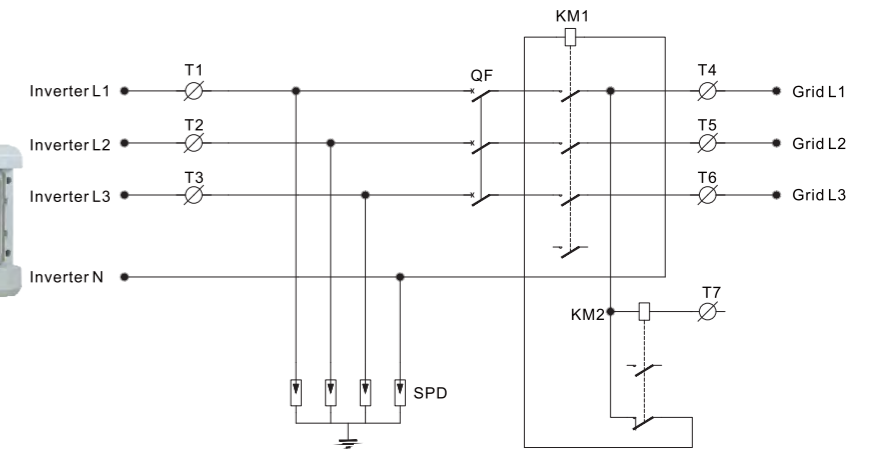
BBWX-1/3



AC Contactor Box
1 in 1 out AC 400V



General Data		Miniature circuit Breaker	NXB-63H/3P
Model No.	BBWX-1/1	Rated Voltage (Ue)	400VAC
Input	1 string	Rated Current (In)	25A
Output	1 string	Standard Compliance with	IEC 60898-1,GB/T 10963.1
Maximum Voltage	400V	Certification	CE,CCC
Max DC Short Circuit Current Per Input (Isc)	16A(Changeable)	Instantaneous trip type	Type B
Maximum Current Output	16A		
Enclosure		AC contactor	
Material Type	BX-15 Polycarbonate/ABS	Rated operating Voltage (Ue)	AC 400V
Degree of Protection	IP65	Rated operating Current (In)	25A
Degree of Resistance to Impacts	IK10	Standard Compliance with	IEC/EN 61095,GB/T 17885
Dimension (WxHxD)	334x210x122mm	Certification	CE,CCC
Cable input Entry	PG25 Cable Gland,13-21mm ²	Normally open contact	4pole
Output Cable Gland	PG25 Cable Gland,13-21mm ²	Normally closed contact	0pole
AC Surge Arrester		Environment	
Max Operation Voltage (Ucpv)	BUA-40/4 385V	Operating Temperature	-20°C~+60°C
Standard Compliance with	EN 50539 Type 2	Humidity	99%
Maximum Discharge Current	40 KA	Altitude	2000M
Certification	TUV CE	Installation	Wall Mounting



BBWX-1/1



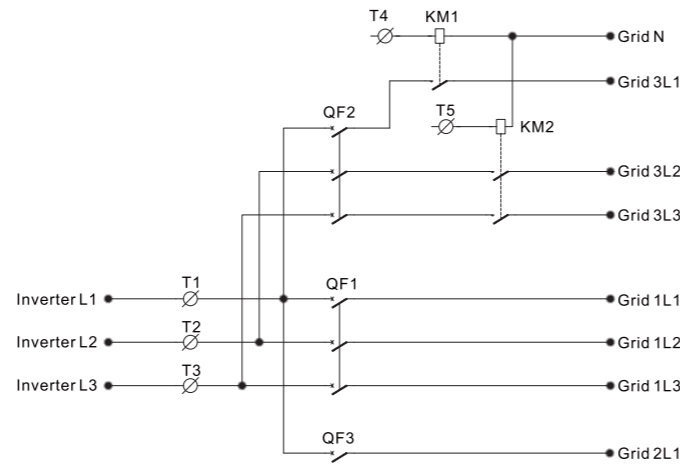
AC Contactor Box
1 in 3 out AC 400V



General Data		Miniature circuit Breaker	NXB-63H/3P
Model No.	BBWX-1/3	Rated Voltage (Ue)	400VAC
Input	1 string	Rated Current (In)	20A
Output	3 strings	Standard Compliance with	IEC 60898-1,GB/T 10963.1
Maximum Voltage	400V	Certification	CE,CCC
Max DC Short Circuit Current Per Input (Isc)	20A(Changeable)	Instantaneous trip type	Type C
Maximum Current Output	20A		
Enclosure		AC contactor	NCH8-20/20
Material Type	Polycarbonate/ABS	Rated operating Voltage (Ue)	AC 400V
Degree of Protection	IP65	Rated operating Current (In)	20A
Degree of Resistance to Impacts	IK10	Standard Compliance with	IEC/EN 61095,GB/T 17885
Dimension (WxHxD)	292x220x120mm	Certification	CE,CCC
Cable input Entry	PG25 Cable Gland,13-21mm ²	Normally open contact	2pole
Output Cable Gland	PG25+PG13.5 Cable Gland,13-21mm ² ,6.7-12mm ²	Normally closed contact	0pole
		Environment	
		Operating Temperature	-20°C~+60°C
		Humidity	99%
		Altitude	2000M
		Installation	Wall Mounting



BBWX-1/3



Product Specification

KEEP INNOVATING

PV Waterproof Box



PV Waterproof Box

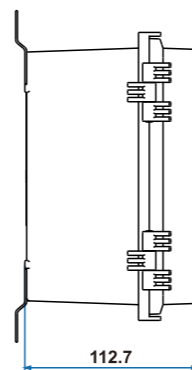
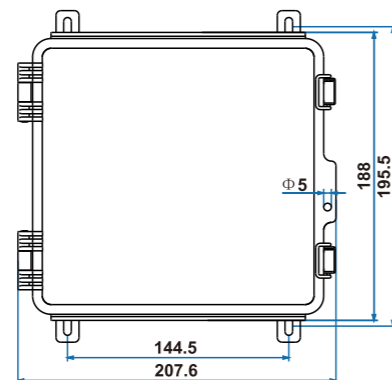


 **PV Waterproof Box**



Protection	
Protection class	IP 66
Insulation	Class II
Material	polycarbonate/ABS
Shock resistance	IK10
Protection against chemicals and weather conditions	Water, saline solutions, acids, basics, mineral oils, UV rays
Operating temperature	-25°C~+100°C
Performance	
Nominal insulation voltage	1000V AC~1500V DC
Flexibility WxHxD, external dimensions	208x188x113mm

Unit:mm



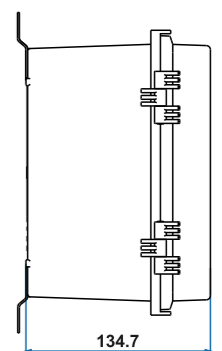
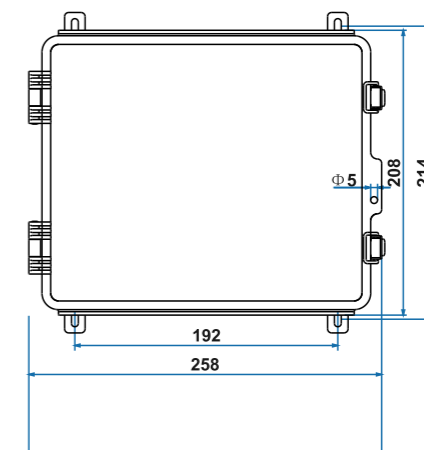
BX191811

 **PV Waterproof Box**



Protection	
Protection class	IP 66
Insulation	Class II
Material	polycarbonate/ABS
Shock resistance	IK10
Protection against chemicals and weather conditions	Water, saline solutions, acids, basics, mineral oils, UV rays
Operating temperature	-25°C~+100°C
Performance	
Nominal insulation voltage	1000V AC~1500V DC
Flexibility WxHxD, external dimensions	258x208x135mm

Unit:mm



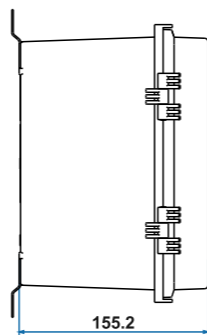
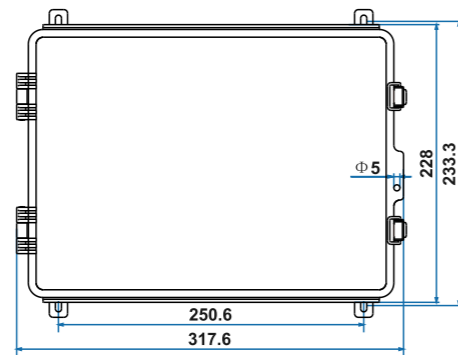
BX242013

 PV Waterproof Box



Protection	
Protection class	IP 66
Insulation	Class II
Material	polycarbonate/ABS
Shock resistance	IK10
Protection against chemicals and weather conditions	Water, saline solutions, acids, basics, mineral oils, UV rays
Operating temperature	-25°C~+100°C
Performance	
Nominal insulation voltage	1000V AC~1500V DC
Flexibility WxHxD, external dimensions	318x228x155mm

Unit:mm



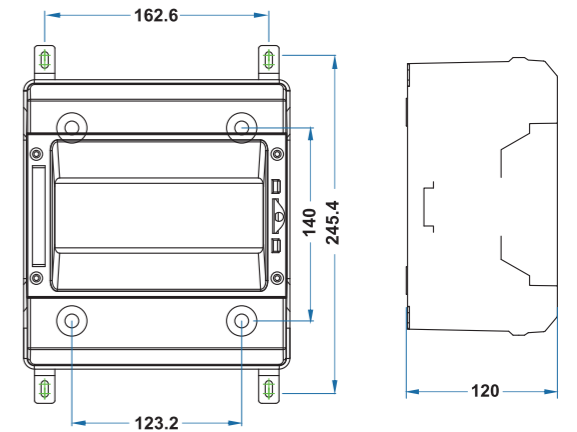
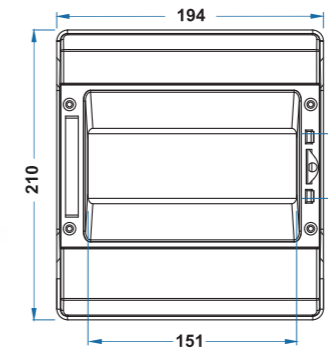
BX302215

 PV Waterproof Box
08 Modules



Protection	
Protection class	IP 65
Insulation	Class II
Material	polycarbonate/ABS
Shock resistance	IK10
Protection against chemicals and weather conditions	Water, saline solutions, acids, basics, mineral oils, UV rays
Operating temperature	-25°C~+100°C
Performance	
Nominal insulation voltage	1000V AC~1500V DC
Flexibility WxHxD, external dimensions	210x194x120mm

Unit:mm



BX08

PV Waterproof Box
13 Modules

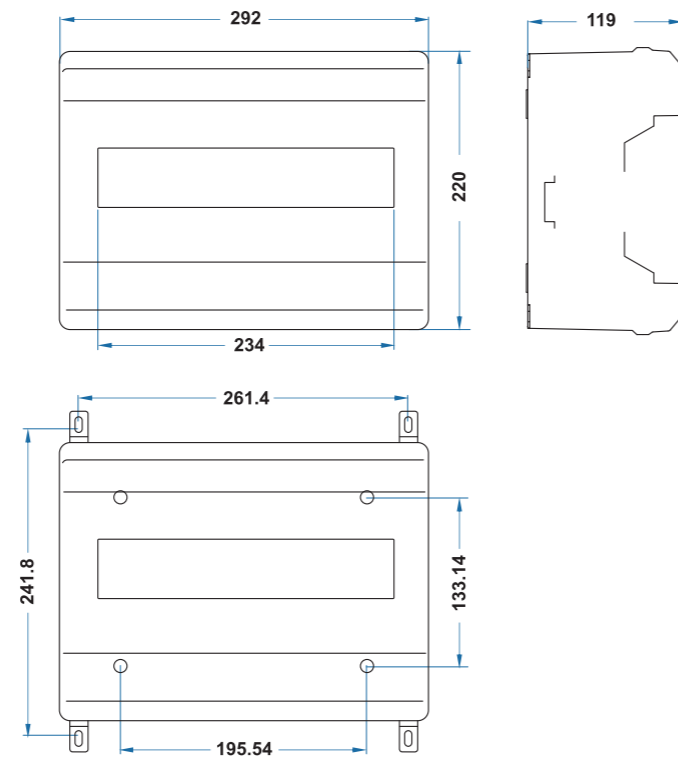


Protection	
Protection class	IP 65
Insulation	Class II
Material	polycarbonate/ABS
Shock resistance	IK10
Protection against chemicals and weather conditions	Water, saline solutions, acids, basics, mineral oils, UV rays
Operating temperature	-25°C~+100°C
Performance	
Nominal insulation voltage	1000V AC~1500V DC
Flexibility WxHxD, external dimensions	292x220x119mm

Unit:mm



BX13



PV Waterproof Box
15 Modules

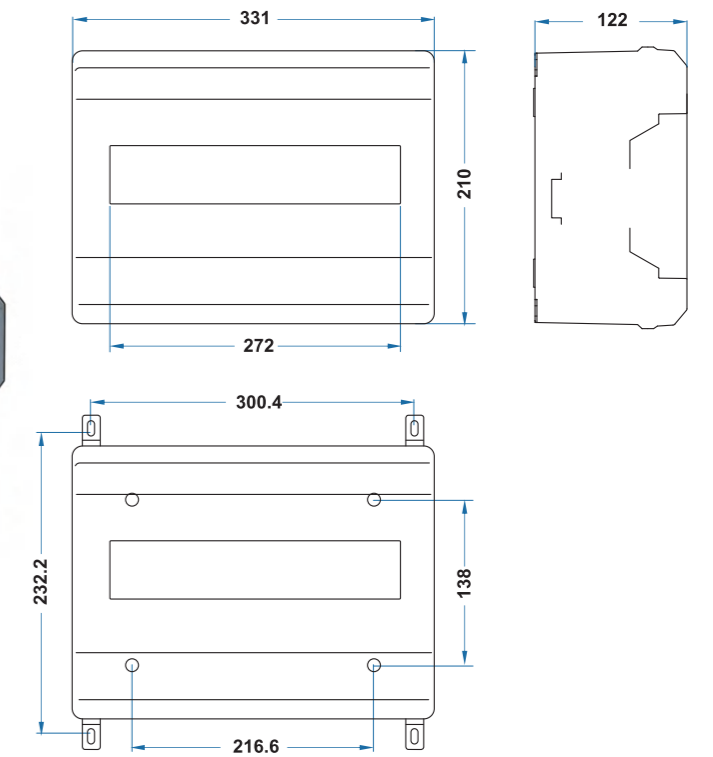


Protection	
Protection class	IP 65
Insulation	Class II
Material	polycarbonate/ABS
Shock resistance	IK10
Protection against chemicals and weather conditions	Water, saline solutions, acids, basics, mineral oils, UV rays
Operating temperature	-25°C~+100°C
Performance	
Nominal insulation voltage	1000V AC~1500V DC
Flexibility WxHxD, external dimensions	331x210x122mm

Unit:mm



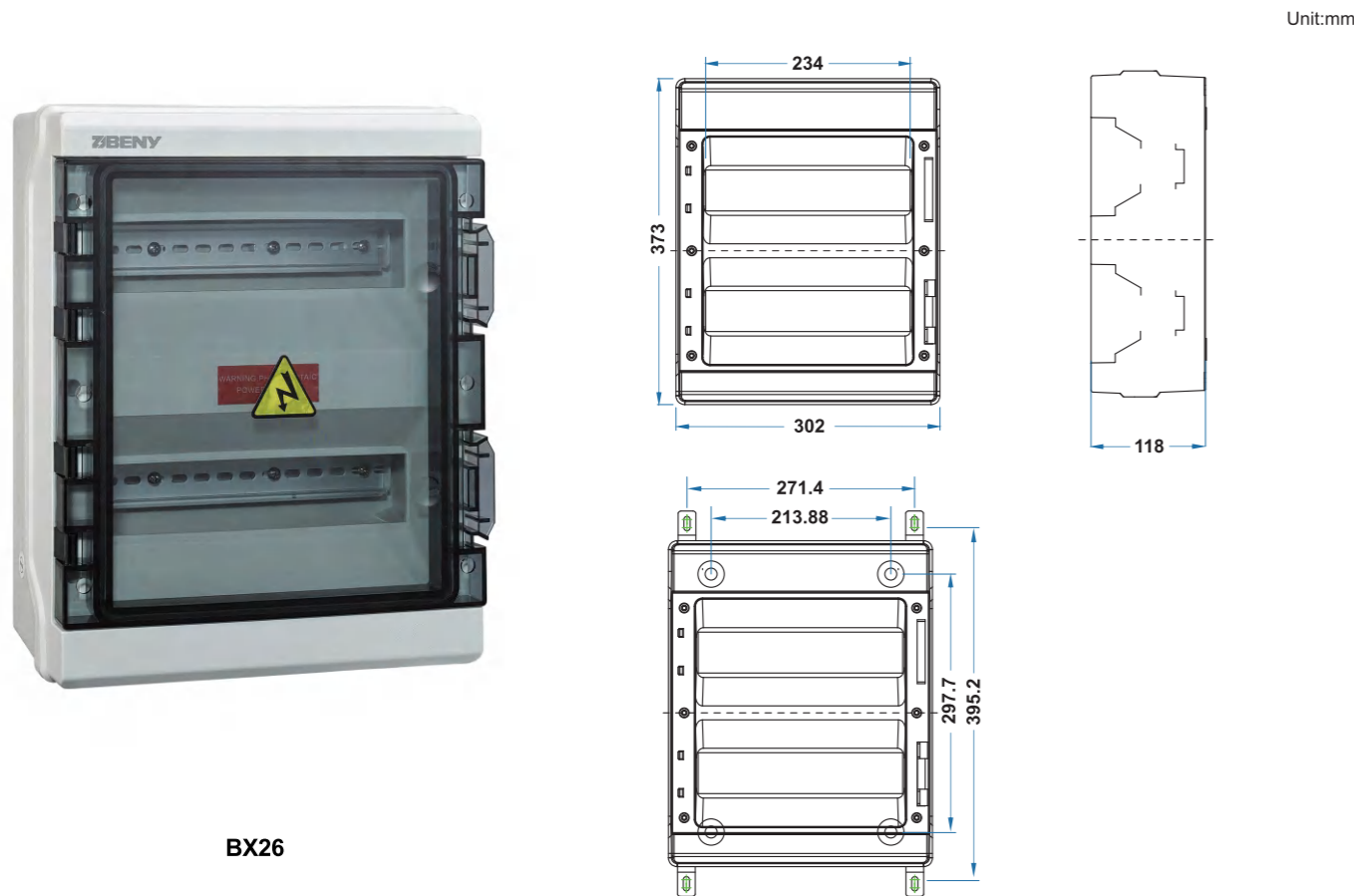
BX15



PV Waterproof Box
26 Modules



Protection	
Protection class	IP 65
Insulation	Class II
Material	polycarbonate/ABS
Shock resistance	IK10
Protection against chemicals and weather conditions	Water, saline solutions, acids, basics, mineral oils, UV rays
Operating temperature	-25°C~+100°C
Performance	
Nominal insulation voltage	1000V AC~1500V DC
Flexibility WxHxD, external dimensions	302x373x118mm

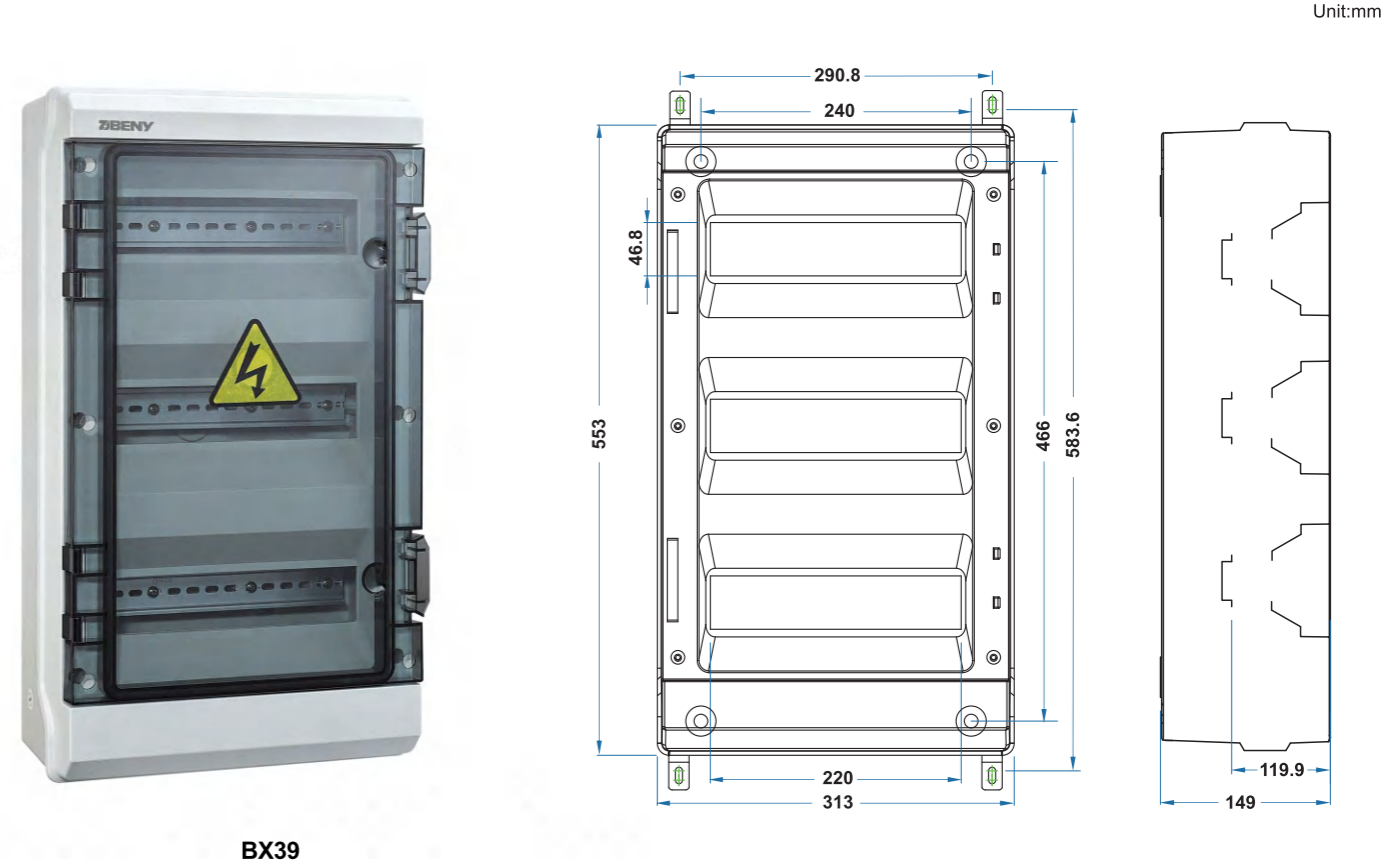


BX26

PV Waterproof Box
39 Modules



Protection	
Protection class	IP 65
Insulation	Class II
Material	polycarbonate/ABS
Shock resistance	IK10
Protection against chemicals and weather conditions	Water, saline solutions, acids, basics, mineral oils, UV rays
Operating temperature	-25°C~+100°C
Performance	
Nominal insulation voltage	1000V AC~1500V DC
Flexibility WxHxD, external dimensions	313x553x149mm



BX39

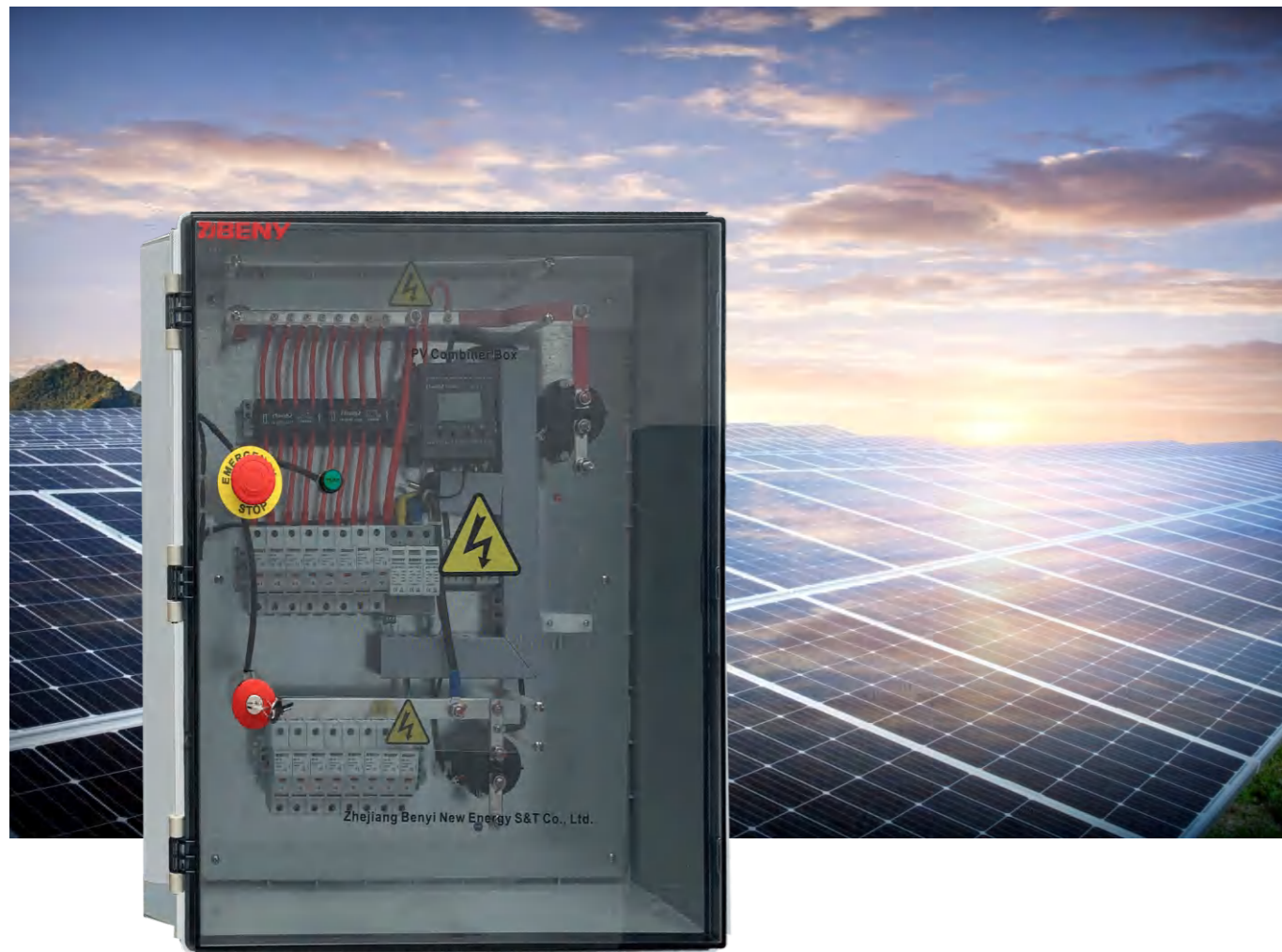
Unit:mm

PV Waterproof Box

Product Specification

KEEP INNOVATING

AFCI Combiner Box



BHSZ AFCI Combiner Box

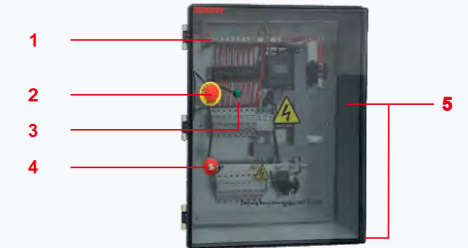


- 1 Brand
- 2 Emergency button
- 3 Indicating light
- 4 Start/Stop(Lockable)
- 5 Contactor

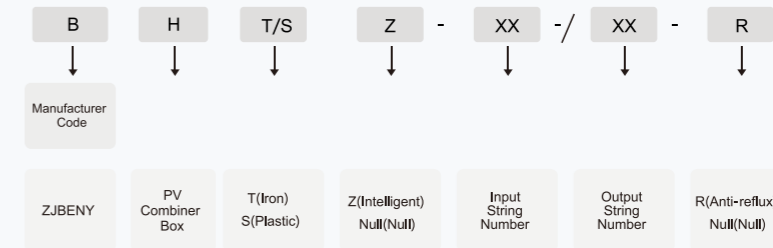
Application

ZBENY The Arc Fault Circuit Interruption Combiner Boxes monitor the current and voltage of each strings and the temperature in enclosure,the integrated automatic contactors triggered when there is arc fault detected. So the PV DC strings will be shut down rapidly.The solution provides solar PV system safety. The DC contactors can be remoted controlled for easier system maintain.

Apperance Introduction



Type Instruction

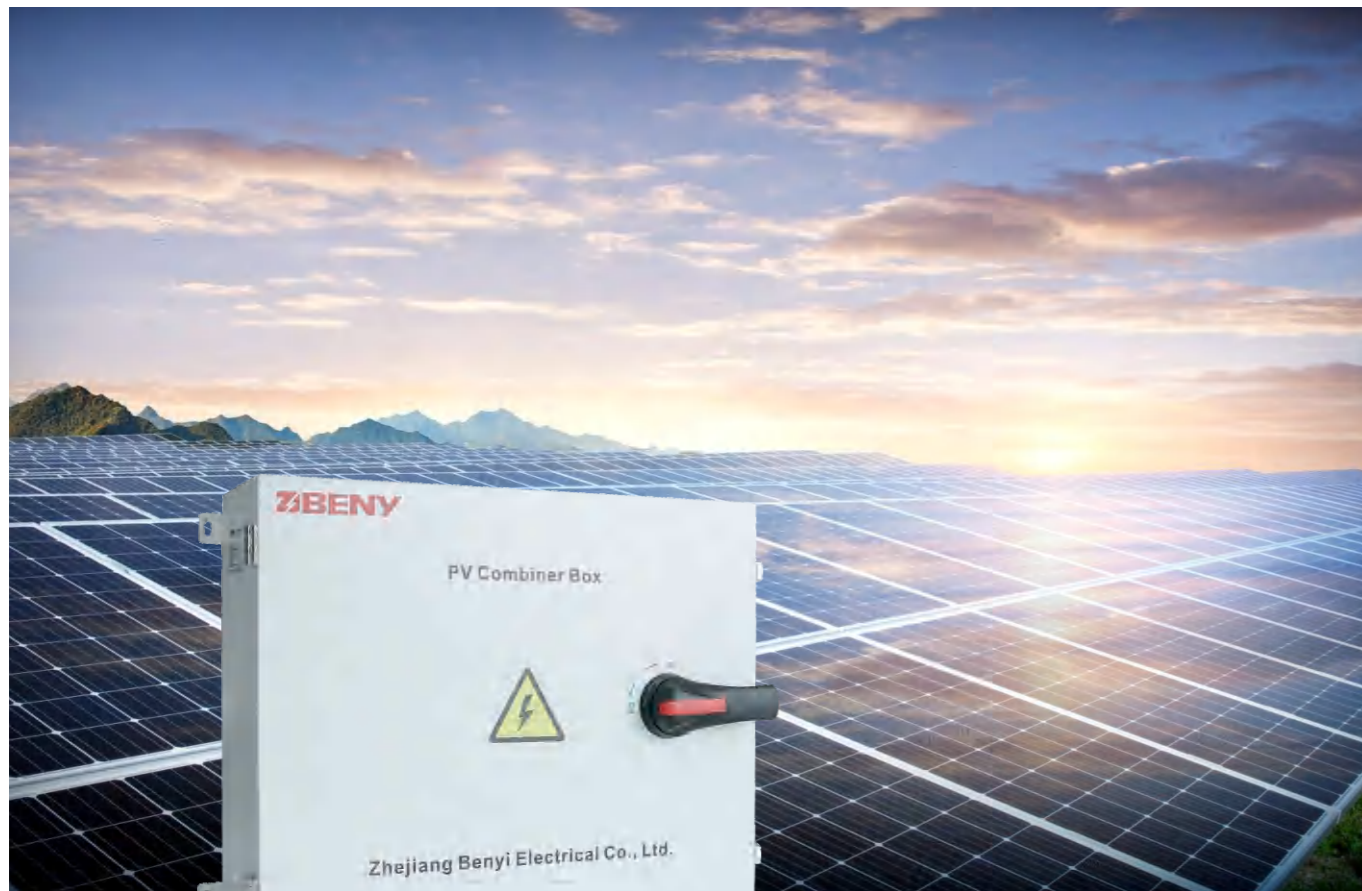


Model No.	BHSZ-8/1	BHSZ-12/1	BHSZ-16/1
Max Rated Voltage	600VDC / 1000VDC		
Number of Input	8	12	16
Max Input Current Per Each String	10A / 15A / 20A / 25A / 30A		
Connection Type of Input	PG09		
	MC4		
Input Cable Size	Ø4-8mm		
Max Output Current	100A / 125A / 250A	125A / 160A / 200A / 250A	200A / 250A / 315A / 350A / 500A
Connection Type of Output	PG 36, Ø22-32mm		
	Customizable		
DC Surge Arrester	T2/T1+2, In=20KA, I _{max} =40KA, U _{cpv} =600VDC / 1000VDC		
Voltage of Monitoring Device	450VDC ~ 1000VDC		
Voltage of Contactor	24VDC (Built-in Power Supply)		
Enclosure	Plastic		
	Powder Coated Stainless Steel		
Protection Degree	NEMA13 (IP65)		
Ambient Temperature	-20°C ~ +60°C		
Humidity	0-99%		
Altitude	≤2000m (derating > 2000m)		
Installation method	Vertical / Horizontal		
Standard	IEC62109 / IEC61439 (EN62109 / EN61439)		

Product Specification

KEEP INNOVATING

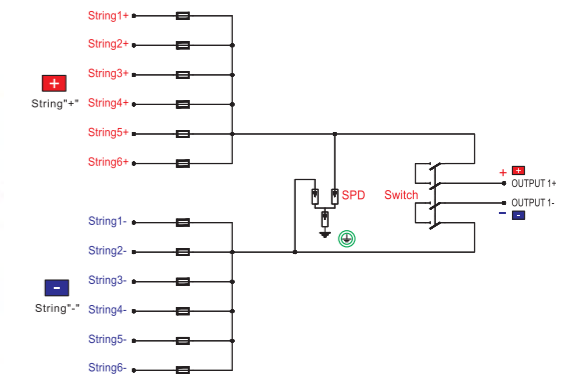
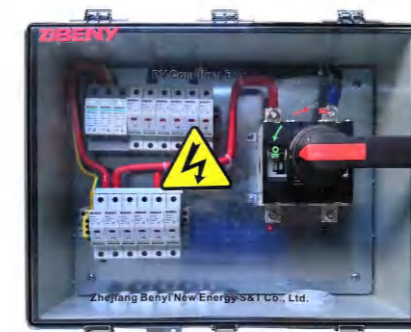
Solar Combiner Box SERIES



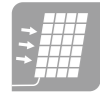
Solar DC Disconnect Combiners 6 in 1 out DC 1000V



General Data		DC Surge Arrester	BUD-40/3
Model No.	BHS-6/1	Max Operation Voltage (Ucpv)	1000V
Input	6 strings	Standard Compliance with	EN 50539 Type 2
Output	1 string	Maximum Discharge Current	40 KA
Maximum Voltage	1000V	Certification	TUV CE
Max DC Short Circuit Current Per Input (Isc)	15A (Changeable)		
Maximum Current Output	80A		
Enclosure		DC fuse holder	BR-30
Material Type	Polycarbonate/ABS	LED Indicator	Yes
Degree of Protection	IP65	Rated Working Voltage	1000V
Degree of Resistance to Impacts	IK10	Fuse Link	10x38mm LITTEL 15A
Dimension (WxHxD)	540 x 360x 180mm	Certification	UL, CB, CE
Cable input Entry	PG09 Cable Gland, 2.5-16mm ²		
Output Cable Gland	PG36 50-70mm ²		
DC Switch Disconnecter		Environment	
Rated Insulation Voltage (Ui)	1000V	Operating Temperature	-20°C~+60°C
Rated Current (Ie)	125A	Humidity	99%
Standard Compliance with	IEC 60947-3	Altitude	2000M
Certification	CB, CE	Installation	Wall Mounting



BHS-6/1



Solar DC Disconnect Combiners

1 in 1 out DC 1500V

Features

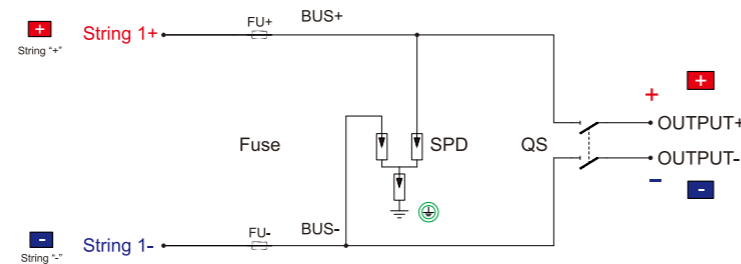
- ☑ 2 to 8 input circuits
- ☑ Rated for 600, 1000, or 1500 VDC
- ☑ Continuous duty
- ☑ NEMA-3R, 4 & 4X enclosures



General Data		DC Surge Arrester	
Model No.	BHT-1/1	Max Operation Voltage(Ucpv)	1500V
Input	1 string	Standard Compliance with	EN 50539 Type 2
Output	1 string	Maximum Discharge Current	40KA
Maximum Voltage	1500V	Certification	TUV CE
Max DC Short Circuit Current Per Input(Isc)	400A (Changeable)		
Maximum Current Output	400A		
Enclosure		DC fuse holder	
Material Type	Power Coated Steel	LED Indicator	---
Degree of Protection	NEMA-3R / 4 / 4X	Rated Working Voltage	1500V
Degree of Resistance to Impacts	IK 10	Fuse Link	YRPV-400D In=400A DC 1500V
Dimension (WxHxD)	17. 71x23. 62x7. 08 Inches	Certification	TUV,UL,CE
Cable input Entry	#6 to 350 AWG	Breaking capacity	50kA
Output Cable Gland	#6 to 350 AWG		
DC Switch Disconnect		Environment	
Rated Insulation Voltage(Ui)	1500V	Operating Temperature	-20°C~+60°C
Rated Current(Ie)	400A	Humidity	99%
Standard Compliance with	UL98B	Altitude	2000M
Certification	UL	Installation	Wall Mounting
Rated conditional short-circuit current(KA)	10 kA		



BHT-1/1



1000V DC Disconnect Combiners

1000V DC 12 in 1 out

Features

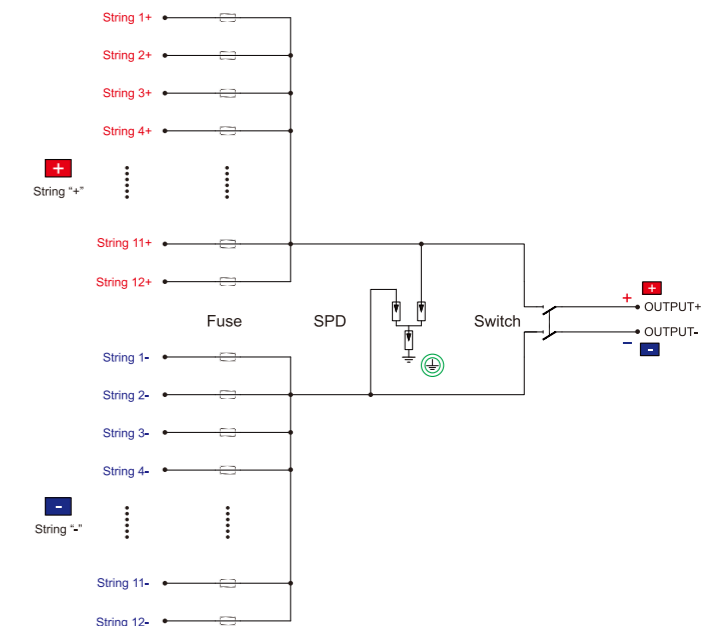
- ☑ 10k SCCR
- ☑ Rated for 1000 VDC
- ☑ Up to 36 input circuits
- ☑ Integrated load break disconnects, Max up to 400A



General Data		DC Surge Arrester	
Model No.	BHT-12/1	Max Operation Voltage(Ucpv)	1000V
Input	12 string	Standard Compliance with	UL1449/ IEC/EN 61643-31
Output	1 string	Maximum Discharge Current	40KA
Maximum Voltage	1000V	Certification	UL
Max DC Short Circuit Current Per Input(Isc)	15A (Changeable)		
Maximum Current Output	250A		
Enclosure		DC fuse holder	
Material Type	Metal	LED Indicator	---
Degree of Protection	NEMA-3R / 4 / 4X	Rated Working Voltage	1000V
Degree of Resistance to Impacts	IK 10	Fuse Link	OSPV-30L In=15A DC 1000V
Dimension (WxHxD)	19.6x23. 6x7. 8 Inches	Certification	TUV
Cable input Entry	#14-8 AWG	Breaking capacity	50kA
Output Cable Gland	#6-350 AWG		
DC Switch Disconnect		Environment	
Rated Insulation Voltage(Ui)	1000V	Operating Temperature	-20°C~+60°C
Rated Current(Ie)	250A	Humidity	99%
Standard Compliance with	UL98B	Altitude	2000M
Certification	UL	Installation	Wall Mounting
Rated conditional short-circuit current(KA)	10 kA		



BHT-12/1



Solar Combiner Box

1500V DC Disconnect Combiners

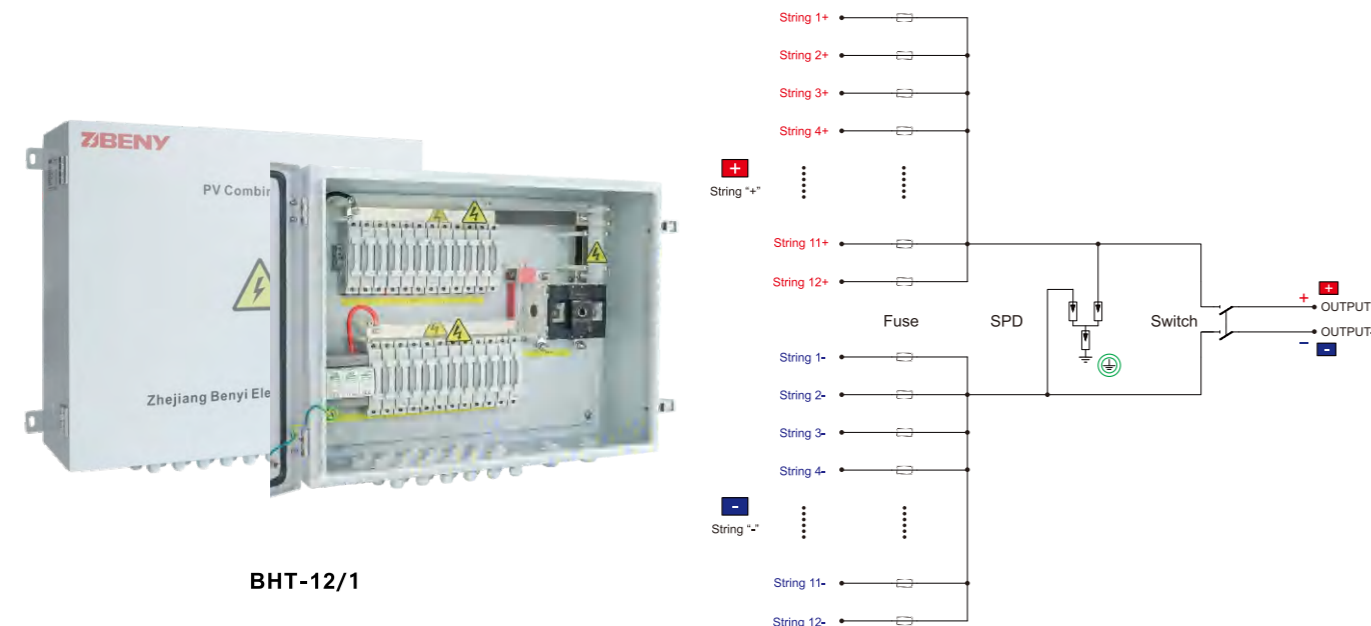
1500V DC 12 in 1 out

Features

- ☑ 10k SCCR
- ☑ Up to 36 input circuits
- ☑ Rated for 1500 VDC
- ☑ Integrated load break disconnects, Max up to 400A



General Data		DC Surge Arrester BUD-1500	
Model No.	BHT-12/1	Max Operation Voltage(Ucpv)	1500V
Input	12 string	Standard Compliance with	IEC/EN 61643-31
Output	1 string	Maximum Discharge Current	40KA
Maximum Voltage	1500V	Certification	TUV
Max DC Short Circuit Current Per Input(Isc)	15A (Changeable)		
Maximum Current Output	250A		
Enclosure		DC fuse holder OSPV-30L	
Material Type	Metal	LED Indicator	YES
Degree of Protection	NEMA-3R / 4 / 4X	Rated Working Voltage	1500V
Degree of Resistance to Impacts	IK 10	Fuse Link	OSPV-30L In=15A DC 1500V
Dimension (WxHxD)	19.68x23. 6x7. 8 Inches	Certification	TUV
Cable input Entry	#14-8 AWG	Breaking capacity	25kA
Output Cable Gland	#6-350 AWG		
DC Switch Disconnecter BH-250		Environment	
Rated Insulation Voltage(Ui)	1500V	Operating Temperature	-20°C~+60°C
Rated Current(Ie)	250A	Humidity	99%
Standard Compliance with	UL98B	Altitude	2000M
Certification	UL	Installation	Wall Mounting
Rated conditional short-circuit current(KA)	10 kA		



1000V DC Disconnect Combiners

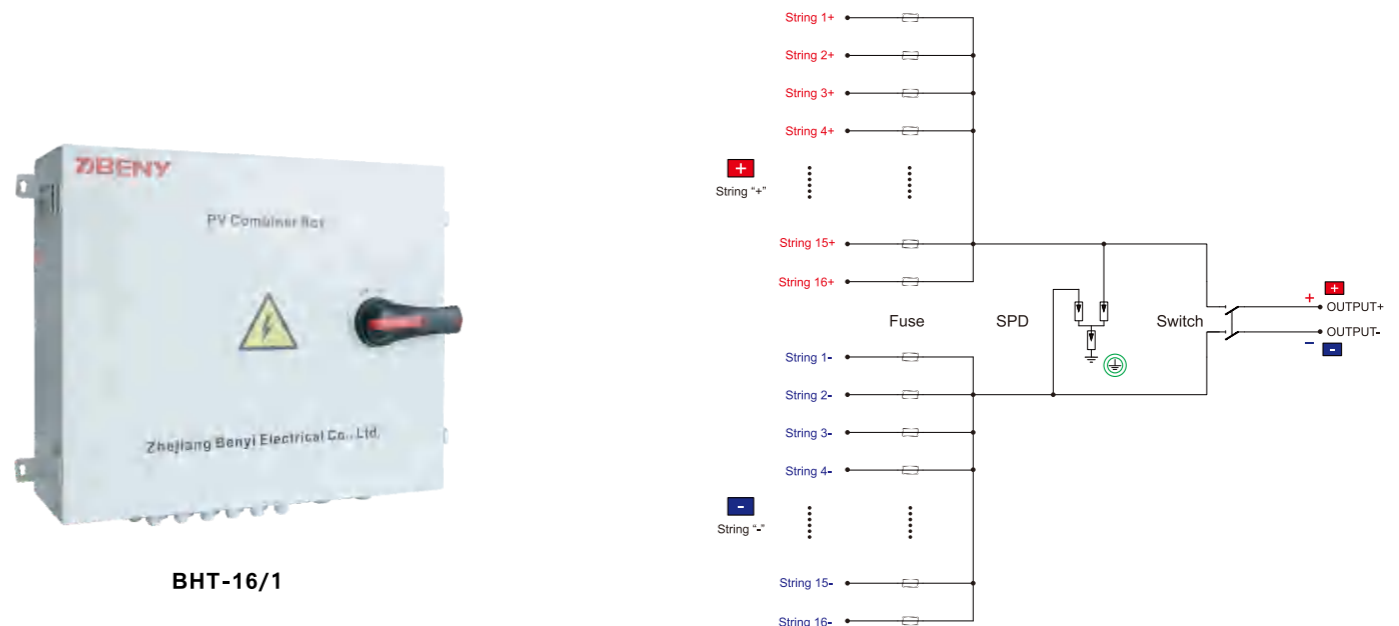
1000V DC 16 in 1 out

Features

- ☑ 10k SCCR
- ☑ Up to 36 input circuits
- ☑ Rated for 1000 VDC
- ☑ Integrated load break disconnects, Max up to 400A



General Data		DC Surge Arrester BUD-40/3	
Model No.	BHT-16/1	Max Operation Voltage(Ucpv)	1000V
Input	16 string	Standard Compliance with	UL1449/ IEC/EN 61643-31
Output	1 string	Maximum Discharge Current	40KA
Maximum Voltage	1000V	Certification	UL / TUV
Max DC Short Circuit Current Per Input(Isc)	15A (Changeable)		
Maximum Current Output	250A		
Enclosure		DC fuse holder OSPV-30	
Material Type	Metal	LED Indicator	YES
Degree of Protection	NEMA-3R / 4 / 4X	Rated Working Voltage	1500V
Degree of Resistance to Impacts	IK 10	Fuse Link	OSPV-30L In=15A DC 1000V
Dimension (WxHxD)	19.68x23. 6x7. 8 Inches	Certification	TUV
Cable input Entry	#14-8 AWG	Breaking capacity	25kA
Output Cable Gland	#6-350 AWG		
DC Switch Disconnecter BH-250		Environment	
Rated Insulation Voltage(Ui)	1000V	Operating Temperature	-20°C~+60°C
Rated Current(Ie)	250A	Humidity	99%
Standard Compliance with	UL98B	Altitude	2000M
Certification	UL	Installation	Wall Mounting
Rated conditional short-circuit current(KA)	10 kA		



1500V DC Disconnect Combiners
1500V DC 16 in 1 out

Features

- ☑ 10k SCCR
- ☑ Up to 36 input circuits
- ☑ Rated for 1500 VDC
- ☑ Integrated load break disconnects, Max up to 400A

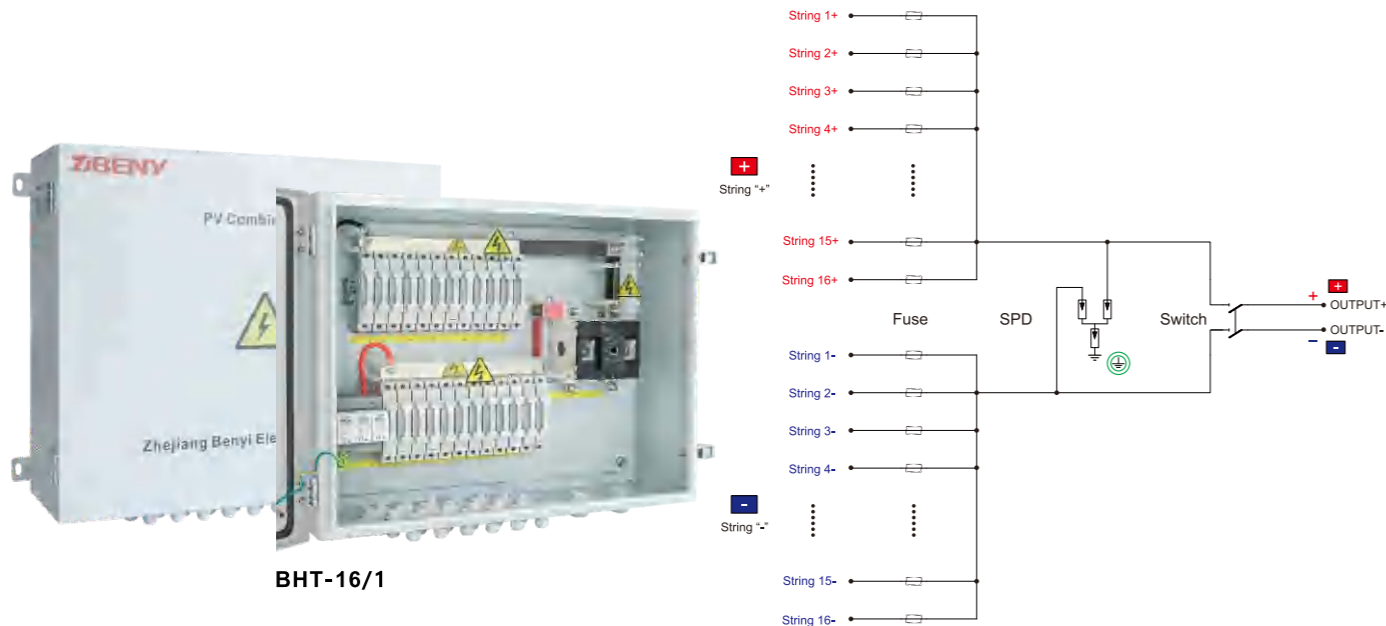


General Data		DC Surge Arrester	BUD-1500
Model No.	BHT-16/1	Max Operation Voltage(Ucpv)	1500V
Input	16 string	Standard Compliance with	IEC/EN 61643-31
Output	1 string	Maximum Discharge Current	40KA
Maximum Voltage	1500V	Certification	TUV
Max DC Short Circuit Current Per Input(Isc)	15A (Changeable)		
Maximum Current Output	250A		
Enclosure		DC fuse holder	OSPV-30L
Material Type	Metal	LED Indicator	YES
Degree of Protection	NEMA-3R / 4 / 4X	Rated Working Voltage	1500V
Degree of Resistance to Impacts	IK 10	Fuse Link	OSPV-30L In=15A DC 1000V
Dimension (WxHxD)	19.68x23.6x7.8 Inches	Certification	TUV
Cable input Entry	#14-8 AWG	Breaking capacity	25kA
Output Cable Gland	#6-350 AWG		
DC Switch Disconnect		Environment	
Rated Insulation Voltage(Ui)	1500V	Operating Temperature	-20°C~+60°C
Rated Current(Ie)	250A	Humidity	99%
Standard Compliance with	UL98B	Altitude	2000M
Certification	UL	Installation	Wall Mounting
Rated conditional short-circuit current(KA)	10 kA		

Product Specification

KEEP INNOVATING

AC Combiner Box



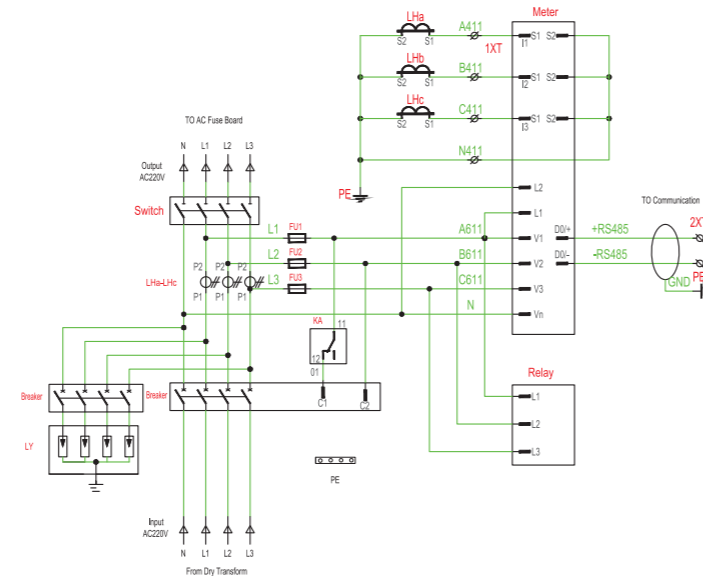
AC Box
BBWX-1 AC Distribution Box



General Data		AC Surge Arrester	
Model No.	BBWX-1	Electric rating	220V~400V, 50-60HZ, 3 phase
Main circuit rated Voltage	AC 230V/400V	Maximum Discharge Current	40 KA
Auxiliary circuit rated voltage	AC230V	Standard Compliance with	EN 61643
Rated Current	0-500A	Certification	CE
Rated frequency	50-60Hz		
Enclosure		Power Meter	
Material Type	Metal	Rated supply voltage (Us)	100~277 V AC(45~65 Hz)/173~480 V AC(45~65 Hz)
Degree of Protection	IP65	Network frequency	50 Hz /60 Hz
		Rated current (In)	1 A /5 A
		Poles description	3P /3P + N
		Power consumption in VA	5 VA
		Display type	Backlit LCD
Modular measurement and control relays NH40		Environment	
Network number of phases	3 phases	Operating Temperature	-20°C~+60°C
Rated Current	0-500A	Humidity	99%
Measurement range	220V~400V voltage AC	Altitude	2000M
Supply frequency	50~60 Hz +/- 10 %	Installation	Wall Mounting



BBWX-1



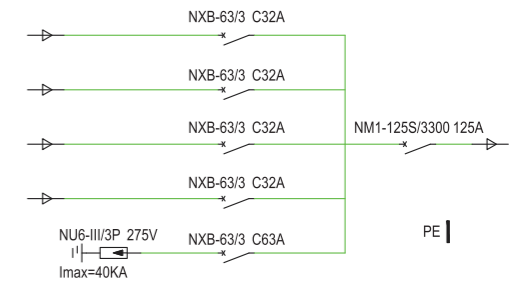
AC Combiner box
BBWX-4



General Data		Relay	
Model No.	BBWX-4	Relay function	Phase sequence detection, overvoltage, undervoltage protection, phase loss protection
Rated Voltage	400V/480V/690VAC	Metering	Optional
Rated Current Per Input	0-100A		
Input	4 strings		
Output	1 string		
Electrical Characteristics		Enclosure	
Applicable system	Three-phase four-wire / three-phase five-wire	Material Type	304 stainless steel, cold rolled steel, galvanized steel
Maximum Breaking Capacity Input	MCCB 35KA(400V); 8KA(690V)	Degree of Protection	IP65
Maximum Breaking Capacity Output	MCCB 50KA(400V); 10KA(690V)		
AC Surge Arrester(8/20μs)	T2, In=20KA, Imax=40KA		
Rated Insulation level		Environment	
Electrical insulation	Clearance ≥14mm, creepage distance ≥25mm	Operating Temperature	-20°C~+50°C
Main circuit to earthing	AC3000V 5s	Altitude	≤2000m
Between phases	AC3000V 5s	Installation	Wall Mounting



BBWX-4

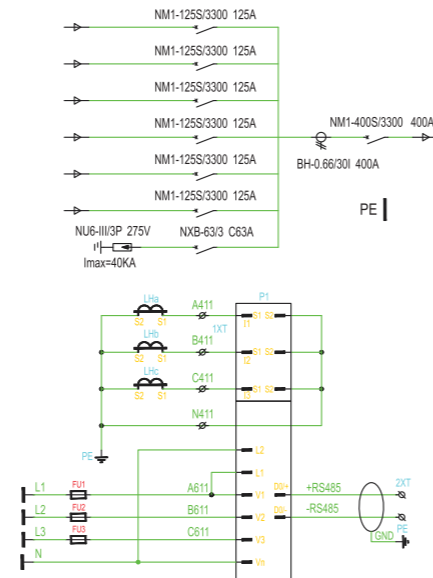
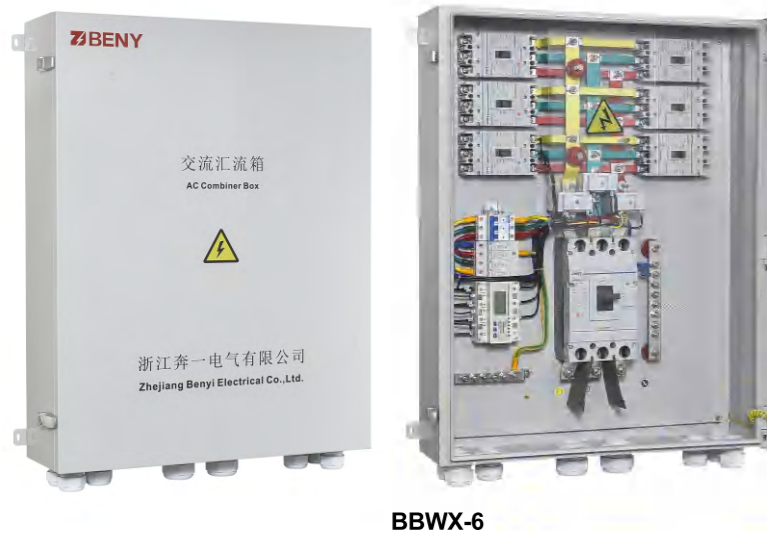




AC Combiner box
BBWX-6



General Data		Relay	
Model No.	BBWX-6	Relay function	Phase sequence detection, overvoltage, undervoltage protection, phase loss protection
Rated Voltage	400V/480V/690VAC	Metering	Optional
Rated Current Per Input	0-100A		
Input	6 strings		
Output	1 string		
Electrical Characteristics		Enclosure	
Applicable system	Three-phase four-wire / three-phase five-wire	Material Type	304 stainless steel, cold rolled steel, galvanized steel
Maximum Breaking Capacity Input	MCCB 35KA(400V); 8KA(690V)	Degree of Protection	IP65
Maximum Breaking Capacity Output	MCCB 50KA(400V); 10KA(690V)		
AC Surge Arrester(8/20μs)	T2, In=20KA, I _{max} =40KA		
Rated Insulation level		Environment	
Electrical insulation	Clearance ≥14mm, creepage distance ≥25mm	Operating Temperature	-20°C~+50°C
Main circuit to earthing	AC3000V 5s	Altitude	≤2000m
Between phases	AC3000V 5s	Installation	Wall Mounting



AC COMBINER BOX

FOR UP TO 4* 80KW INVERTERS

Solar string inverters are used more and more in the solar PV plants, requires reliable combiner and protection at AC side. BBWX-4 is a solution with AC MCCB build-in for AC inputs and output, type 2 AC SPD for over-voltage protection.

Customized solutions are available for different projects requirements.

Features:

- ☑ 3 phase inverter protection
- ☑ AC breaker or NH00 fuse switch for option
- ☑ Rated voltage 230V/400V
- ☑ 4 AC input
- ☑ 1 AC output



Model	BBWX-4		
Grid topology	TN-S (5-conductor system:L1, L2, L3, PE, N)		
Rated Voltage (UN)	230V/400V		
Rated Insulation Voltage (Ui)	690V		
Frequency	50Hz/60Hz		
Operating Temperature	-25 °C up to +60 °C		
Enclosure	Up to IP65 (IEC 60529) / IK 10 (IEC62262)		
Material	Powder Coating Metal		
Dimension	180*80*40cm		
AC Input			
Number (Inverter)	4 *up to 50KW solar inverters	4 *up to 60KW solar inverters	4 *up to 80KW solar inverters
AC Breaker	4*230V/400V 160	A4*230V/400V 200A	4*230V/400V 250A
Rated Current per Input (Inc)	Up to 160A	Up to 200A	Up to 250A
Connection	Via V-clamp (for Al and Cu cables)		
AC Output			
Number	1 per phase (Optionally 2)		
AC Breaker	1*230V/400V 630A	1*230V/400V 800A	1*230V/400V 1000A
Rated Current Output(InA)	630A	800A	1000A
ConnectionVia	V-clamp (for Al and Cu cables)		
Surge Protection Device			
Type	Type 2 275VAC 4P		

AC COMBINER BOX FOR UP TO 6* 80KW INVERTERS

Solar string inverters are used more and more in the solar PV plants, requires reliable combiner and protection at AC side. BBWX-6 is a solution with AC MCCB build-in for AC inputs and output, type 2 AC SPD for over-voltage protection.

Customized solutions are available for different projects requirements.

Features:

- ☑ 3 phase inverter protection
- ☑ AC breaker or NH00 fuse switch for option
- ☑ Rated voltage 230V/400V
- ☑ 6 AC input
- ☑ 1 AC output



Model	BBWX-6		
Grid topology	TN-S (5-conductor system:L1, L2, L3, PE, N)		
Rated Voltage (UN)	230V/400V		
Rated Insulation Voltage (Ui)	690V		
Frequency	50Hz/60Hz		
Operating Temperature	-25 °C up to +60 °C		
Enclosure	Up to IP65 (IEC 60529) / IK 10 (IEC62262)		
Material	Powder Coating Metal		
Dimension	180*80*40cm		
AC Input			
Number (Inverter)	6 *up to 50KW solar inverters	6 *up to 60KW solar inverters	6 *up to 80KW solar inverters
AC Breaker	6*230V/400V 160A	6*230V/400V 200A	6*230V/400V 250A
Rated Current per Input (Inc)	Up to 160A	Up to 200A	Up to 250A
Connection	Via V-clamp (for Al and Cu cables)		
AC Output			
Number	1 per phase (Optionally 2)		
AC Breaker	1*230V/400V 1000A	1*230V/400V 1250A	1*230V/400V 1600A
Rated Current Output(InA)	1000A	1250A	1600A
ConnectionVia	V-clamp (for Al and Cu cables)		
Surge Protection Device			
Type	Type 2 275VAC 4P		

AC COMBINER BOX FOR UP TO 4* 80KW INVERTERS

Solar string inverters are used more and more in the solar PV plants, requires reliable combiner and protection at AC side. BBWX-4 is a solution with AC MCCB build-in for AC inputs and output, type 2 AC SPD for over-voltage protection.

Customized solutions are available for different projects requirements.

Features:

- ☑ 3 phase inverter protection
- ☑ AC breaker or NH00 fuse switch for option
- ☑ Rated voltage 690V
- ☑ 4 AC input
- ☑ 1 AC output



Model	BBWX-4		
Grid topology	TN-S (5-conductor system:L1, L2, L3, PE, N)		
Rated Voltage (UN)	690V		
Rated Insulation Voltage (Ui)	800V		
Frequency	50Hz/60Hz		
Operating Temperature	-25 °C up to +60 °C		
Enclosure	Up to IP65 (IEC 60529) / IK 10 (IEC62262)		
Material	Powder Coating Metal		
Dimension	180*80*40cm		
AC Input			
Number (Inverter)	4 *up to 80KW solar inverters	4 *up to 110KW solar inverters	4 *up to 138KW solar inverters
AC Breaker	4*690V 160A	4*690V 200A	4*690V 250A
Rated Current per Input (Inc)	Up to 160A	Up to 200A	Up to 250A
Connection	Via V-clamp (for Al and Cu cables)		
AC Output			
Number	1 per phase (Optionally 2)		
AC Breaker	1*690V 630A	1*690V 800A	1*690V 1000A
Rated Current Output(InA)	630A	800A	1000A
ConnectionVia	V-clamp (for Al and Cu cables)		
Surge Protection Device			
Type	Type 2AC 4P		

AC COMBINER BOX FOR UP TO 6* 80KW INVERTERS

Solar string inverters are used more and more in the solar PV plants, requires reliable combiner and protection at AC side. BBWX-6 is a solution with AC MCCB build-in for AC inputs and output, type 2 AC SPD for over-voltage protection.

Customized solutions are available for different projects requirements.

Features:

- ☑ 3 phase inverter protection
- ☑ AC breaker or NH00 fuse switch for option
- ☑ Rated voltage 690V
- ☑ 6 AC input
- ☑ 1 AC output



Model	BBWX-6		
Grid topology	TN-S (5-conductor system:L1, L2, L3, PE, N)		
Rated Voltage (UN)	690V		
Rated Insulation Voltage (Ui)	800V		
Frequency	50Hz/60Hz		
Operating Temperature	-25 °C up to +60 °C		
Enclosure	Up to IP65 (IEC 60529) / IK 10 (IEC62262)		
Material	Powder Coating Metal		
Dimension	194*100*40cm		
AC Input			
Number (Inverter)	6 *up to 80KW solar inverters	6 *up to 110KW solar inverters	6 *up to 138KW solar inverters
AC Breaker	6*690V 160A	6*690V 200A	6*690V 250A
Rated Current per Input (Inc)	Up to 160A	Up to 200A	Up to 250A
Connection	Via V-clamp (for Al and Cu cables)		
AC Output			
Number	1 per phase (Optionally 2)		
AC Breaker	1*690V 1000A	1*690V 1250A	1*690V 1600A
Rated Current Output(InA)	1000A	1250A	1600A
ConnectionVia	V-clamp (for Al and Cu cables)		
Surge Protection Device			
Type	Type 2AC 4P		

AC COMBINER BOX FOR UP TO 4* 100KW INVERTERS

Solar string inverters are used more and more in the solar PV plants, requires reliable combiner and protection at AC side. BBWX-4 is a solution with AC MCCB build-in for AC inputs and output, type 2 AC SPD for over-voltage protection.

Customized solutions are available for different projects requirements.

Features:

- ☑ 3 phase inverter protection
- ☑ AC breaker or NH00 fuse switch for option
- ☑ Rated voltage 800V
- ☑ 4 AC input
- ☑ 1 AC output



Model	BBWX-4		
Grid topology	TN-S (5-conductor system:L1, L2, L3, PE, N)		
Rated Voltage (UN)	800V		
Rated Insulation Voltage (Ui)	1000V		
Frequency	50Hz/60Hz		
Operating Temperature	-25 °C up to +60 °C		
Enclosure	Up to IP65 (IEC 60529) / IK 10 (IEC62262)		
Material	Powder Coating Metal		
Dimension	154*80*40cm		
AC Input			
Number (Inverter)	4 *up to 100KW solar inverters	4 *up to 120KW solar inverters	4 *up to 160KW solar inverters
AC Breaker	4*800V 160A	4*800V 200A	4*800V 250A
Rated Current per Input (Inc)	Up to 160A	Up to 200A	Up to 250A
Connection	Via V-clamp (for Al and Cu cables)		
AC Output			
Number	1 per phase (Optionally 2)		
AC Breaker	1*800V 630A	1*800V 800A	1*800V 1000A
Rated Current Output(InA)	1000A	1250A	1600A
ConnectionVia	V-clamp (for Al and Cu cables)		
Surge Protection Device			
Type	Type 2AC 4P		

AC COMBINER BOX

FOR UP TO 6* 100KW INVERTERS

Solar string inverters are used more and more in the solar PV plants, requires reliable combiner and protection at AC side. BBWX-4 is a solution with AC MCCB build-in for AC inputs and output, type 2 AC SPD for over-voltage protection.

Customized solutions are available for different projects requirements.

Features:

- ☑ 3 phase inverter protection
- ☑ AC breaker or NH00 fuse switch for option
- ☑ Rated voltage 800V
- ☑ 6 AC input
- ☑ 1 AC output



Model	BBWX-6		
Grid topology	TN-S (5-conductor system:L1, L2, L3, PE, N)		
Rated Voltage (UN)	800V		
Rated Insulation Voltage (Ui)	1000V		
Frequency	50Hz/60Hz		
Operating Temperature	-25 °C up to +60 °C		
Enclosure	Up to IP65 (IEC 60529) / IK 10 (IEC62262)		
Material	Powder Coating Metal		
Dimension	194*100*40cm		
AC Input			
Number (Inverter)	6 *up to 100KW solar inverters	6 *up to 120KW solar inverters	6 *up to 160KW solar inverters
AC Breaker	6*800V 160A	6*800V 200A	6*800V 250A
Rated Current per Input (In)	Up to 160A	Up to 200A	Up to 250A
Connection	Via V-clamp (for Al and Cu cables)		
AC Output			
Number	1 per phase (Optionally 2)		
AC Breaker	1*800V 1000A	1*800V 1250A	1*800V 1600A
Rated Current Output(InA)	1000A	1250A	1600A
ConnectionVia	V-clamp (for Al and Cu cables)		
Surge Protection Device			
Type	Type 2AC 4P		