

Composite Fencing



MY MODERN GARDEN

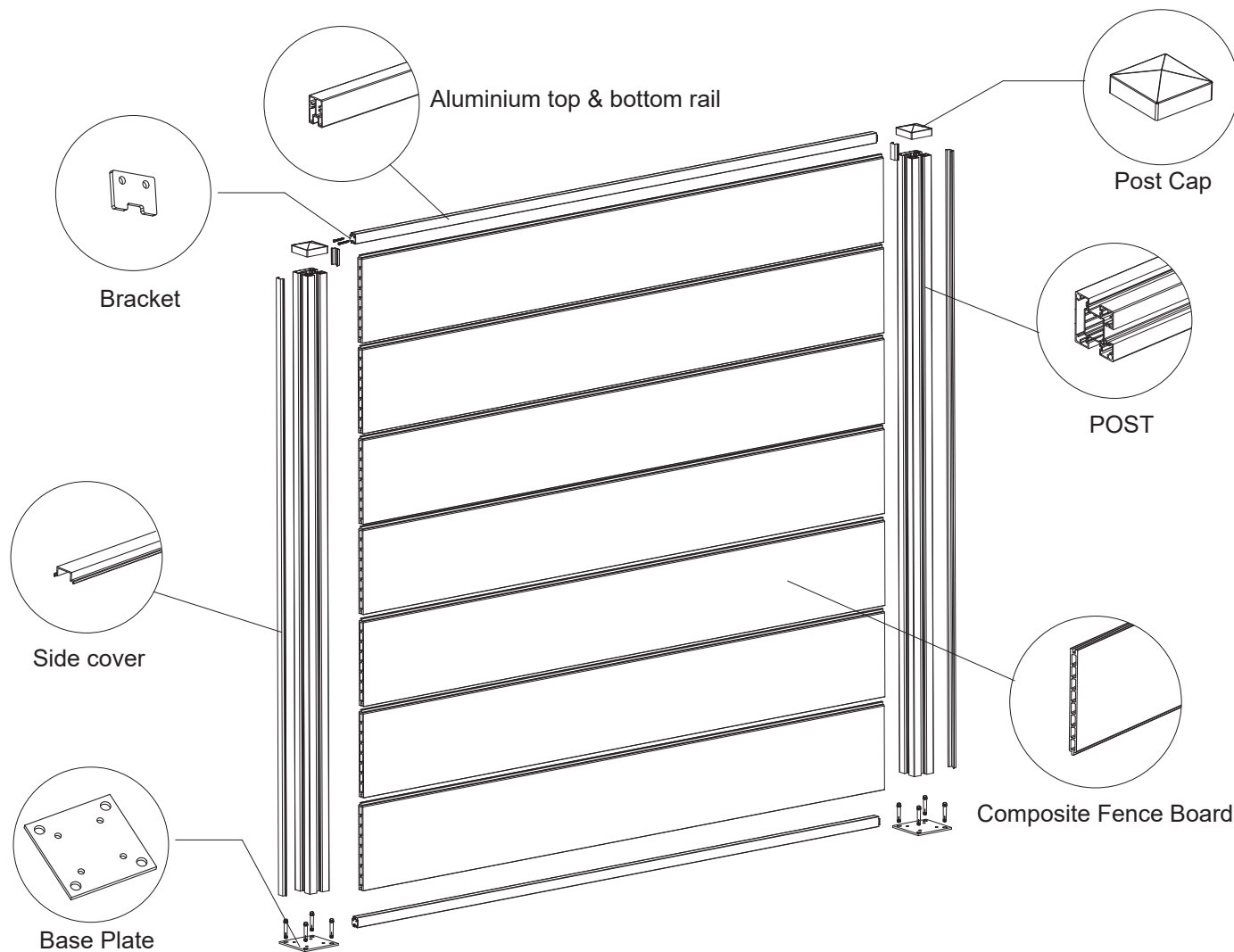
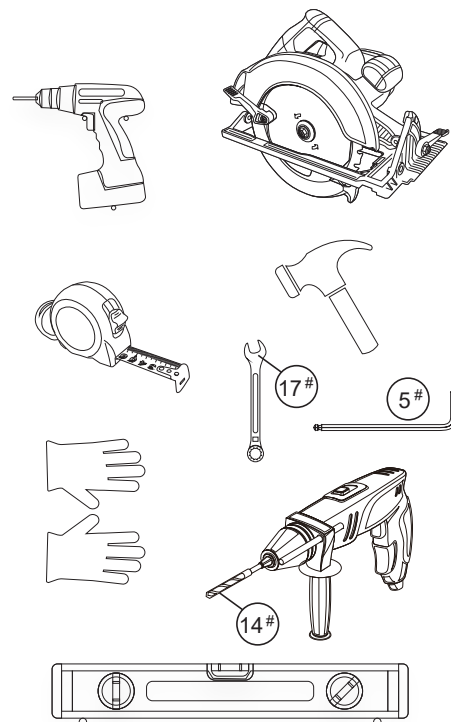
Assembly guide

If you have any question related to your installation please call our team 020 8133 3883

List of fittings

Required tools

No.	Item Image	Name	Number
a		Base Plate	X2
b		Hexagon Screw	X8
c		Base Plate Screw	X8
d		Bracket	X8
e		Screw For Bracket	X16
f		Post Cap	X2

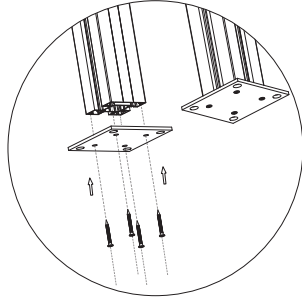




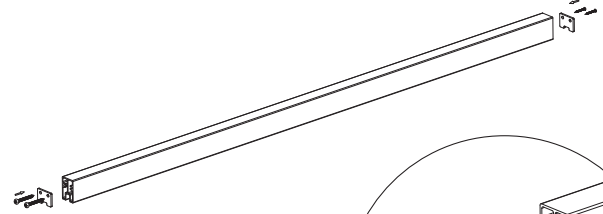
I Connect the base plate to the post



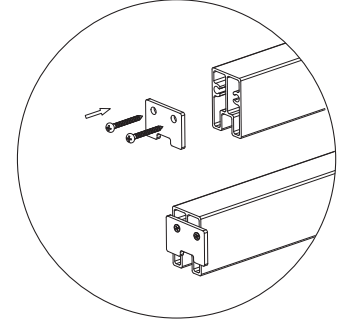
X 2



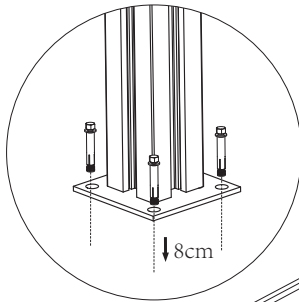
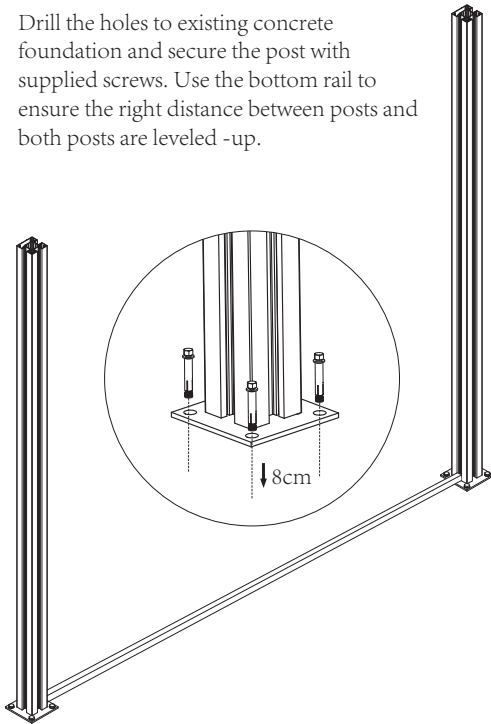
II Connect the brackets to aluminium top and bottom rails



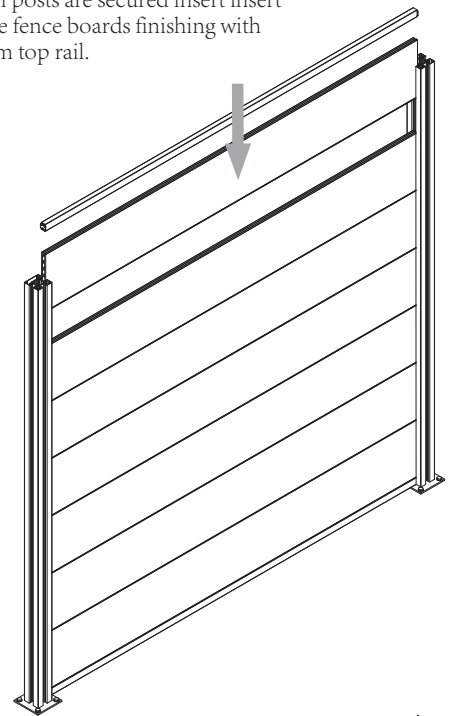
X 2



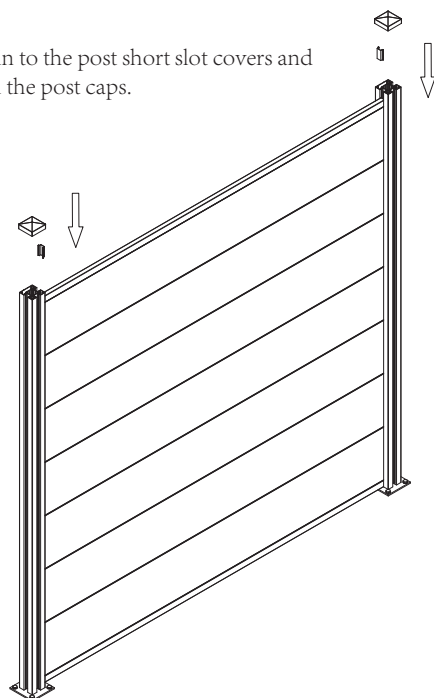
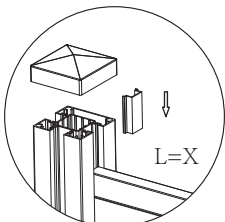
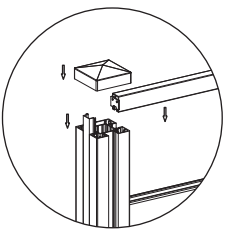
III Drill the holes to existing concrete foundation and secure the post with supplied screws. Use the bottom rail to ensure the right distance between posts and both posts are leveled -up.



IV After both posts are secured insert composite fence boards finishing with aluminium top rail.



V Slide in to the post short slot covers and attach the post caps.



VI End of installation.

