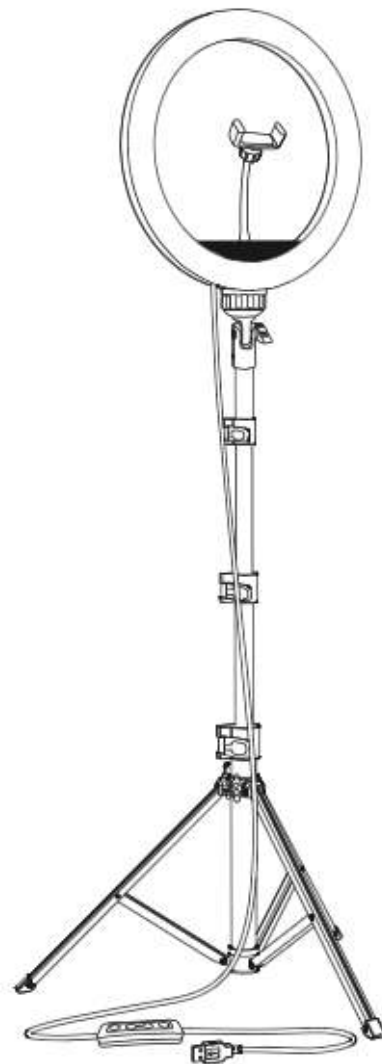


Instruction manual

R2B

R2Bstore always selects the best products for its customers. Quality and customer satisfaction is our top priority.

R2Bstore is very happy that you have chosen our product. In this manual we briefly explain how to assemble and use the product. After that, you can use the product safely and with great pleasure.



Professional tripod



3 Colors Lighting Mode



10 grades Brightness



180° front and rear adjustment



Convenient To Carry



Introduction:

We will assist you as best we can in this manual. The procedures will be mainly explained with images, so that you get the clearest possible explanation. Is the manual not clear? You can reach us from Monday to Friday between 9:00 am and 5:00 pm on our phone number. Or just write us an email and we will reply within 24 hours on working days.

Contact details:

Telephone number: 0299 77 94 53

E-mail: info@r2bstore.nl

Address: Magneet 12T, 1446XD, Purmerend, The Netherlands

Product details:

Brand: R2B

Model: Ringlamp 001, 10 inch

Type designation: Selfie Ring Light with Extendable Tripod Stand

Serial number: RL-001

Lamp Size: 26cm / 10 inch

Tripod Stand Height: 46-160cm

Total height: adjustable from 72cm to 186 cm

Material: ABS Aluminum

Tripod Stand Material: Aluminum

Number Of Lamp Beads: 120pcs

Brightness: 3 kinds of light sources with 10 levels

Color Temperature: 3000k-6000k

Input: 5V 2A

Display Index: >80RA

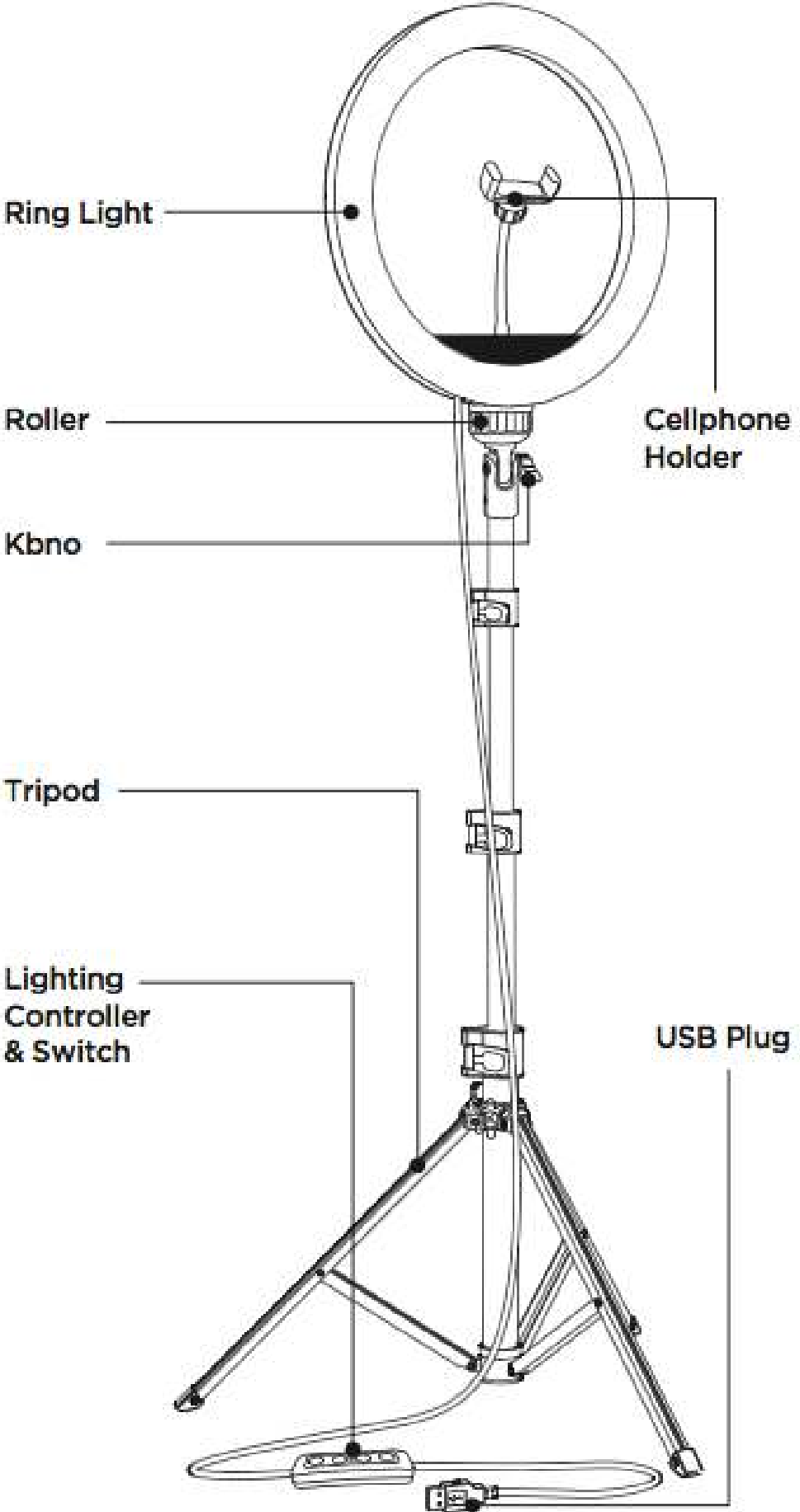
Power Supply: USB interface



Warnings:

- The intended use of this product is to use this product as a tripod stand with a ringlamp in which a phone can be placed to record a person for making videos or to make pictures. It can both be used for professional and unprofessional usage.
- Do not use this product in a damp or wet place.
- Do not use this product when it is windy outside.
- Prevent exposure to the sun.
- When you do not use the product for a long time, please unplug.
- Do not let children under 8 use this product without the supervision of an adult.
- When transporting the product make sure to pack it in its original packaging.
- Watch out with sharp components of the product and do not hold close to eyes or other vulnerable body parts.
- The product can be maintained by a non skilled person but when doubting always contact us. The maintenance activities are: checking if screws are loose and all parts are still connected.
- At the end of its useful life the product needs to be dismantled and disposed safely in a separate designated bin for each of the materials.
- In normal use the product should work as described in the following instruction manual when this is not the case directly stop using the product and contact us to solve this.
- If the lights of the product are not working then unplug the product and contact us directly.
- If the lighting controller is not working stop using the product and contact us directly.
- There is not any inherent hazard or dangers to particular vulnerable groups.
- When taking all these warnings in account there will always be a probability of an injury or broken parts of the product when in use. Please take this into account. Use of the product in the places mentioned in the warnings such as a wet or windy place can lead to an injury and broken parts of the product. For example the product can fall and some parts can break or an injury can occur due to slippery ground.

Overview of all components

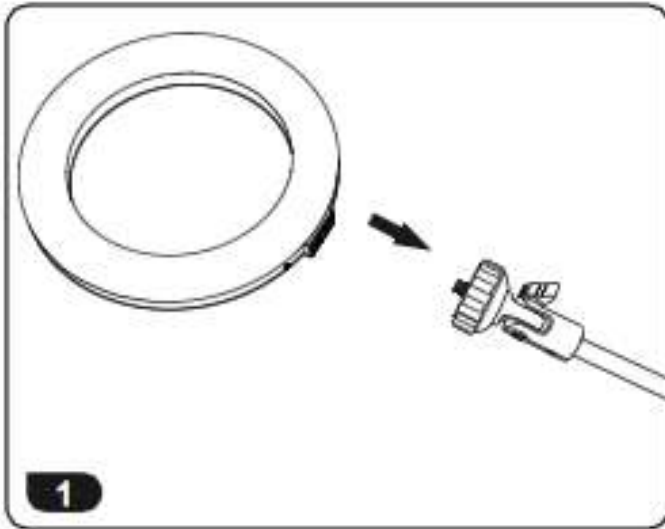




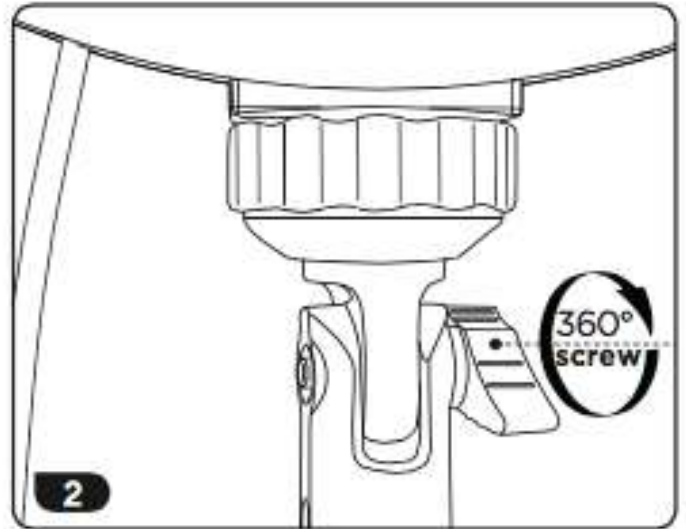
Warning:

- Before assembling the product please make sure all components are delivered, if one of the components is missing please do not use the product and contact us directly

How To Assemble The Ring Light

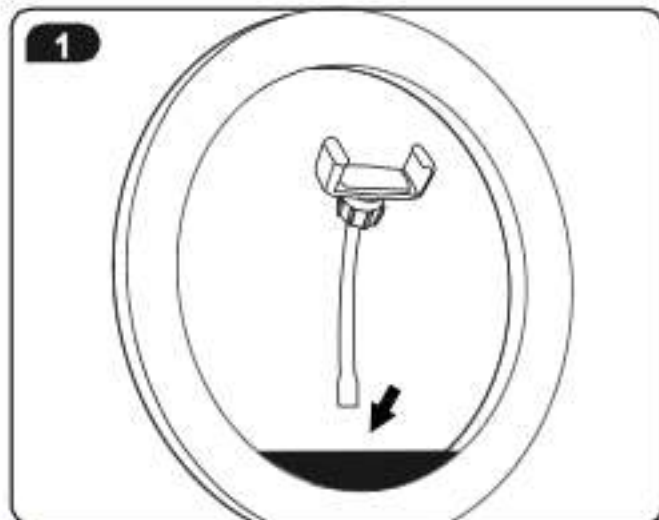


1. Install the light screw hole into the selfie stick screw.



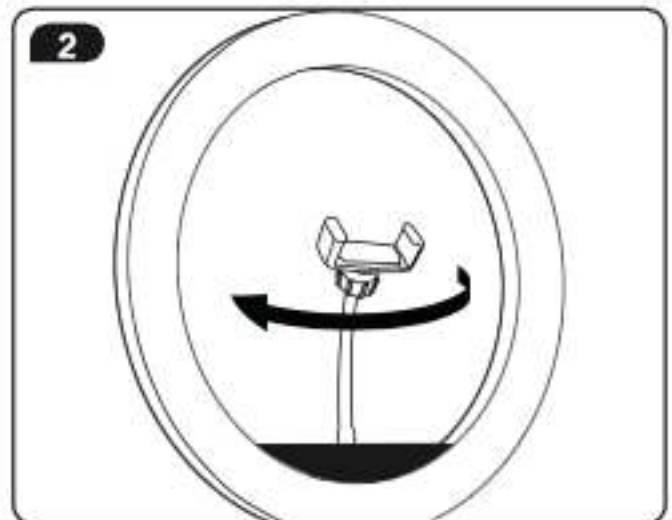
2. Keep the light fixed, tight the light by rotating the screw

How To Install A Phone Holder



Step 1

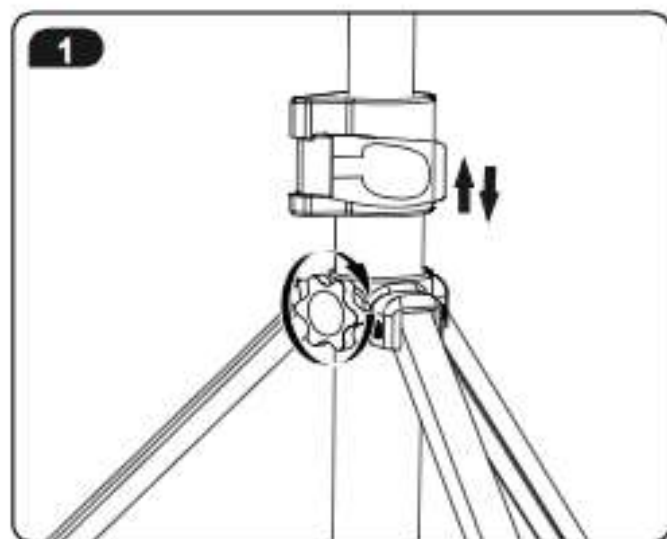
Put the phone holder tube into the screw hole.



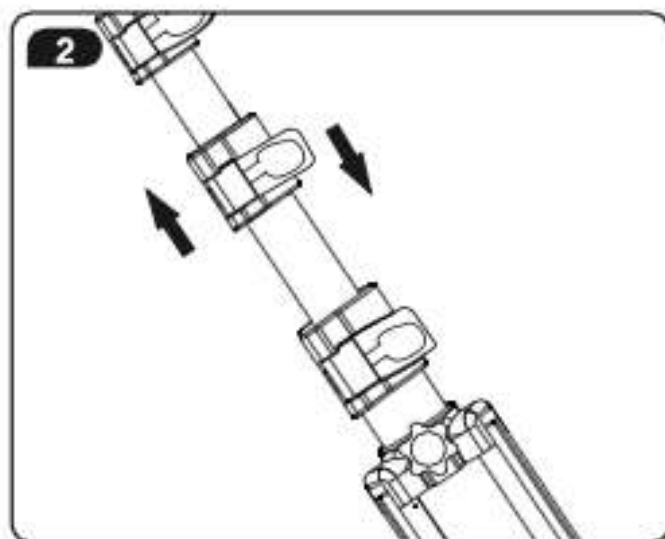
Step 2

Tighten the holder clockwise.

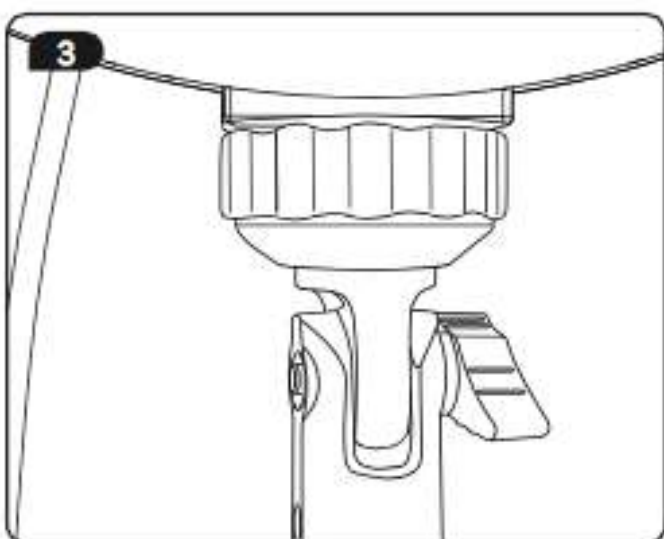
How To Use Selfie Stick With Tripod



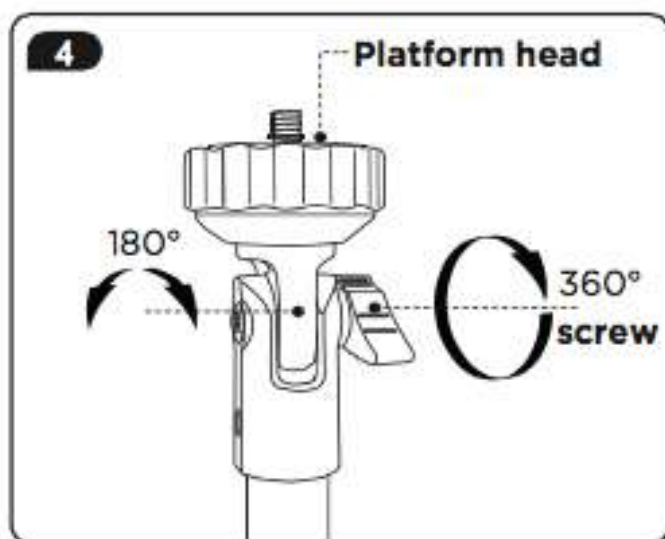
1. Adjust the tripod up and down, fix the tripod leg by rotating the screw clockwise (counterclockwise loosened).



2. Extend the tripod stick from bottom to top by unlocking the lock knot, lock the lock knot to fix the tripod stick at any desired height.

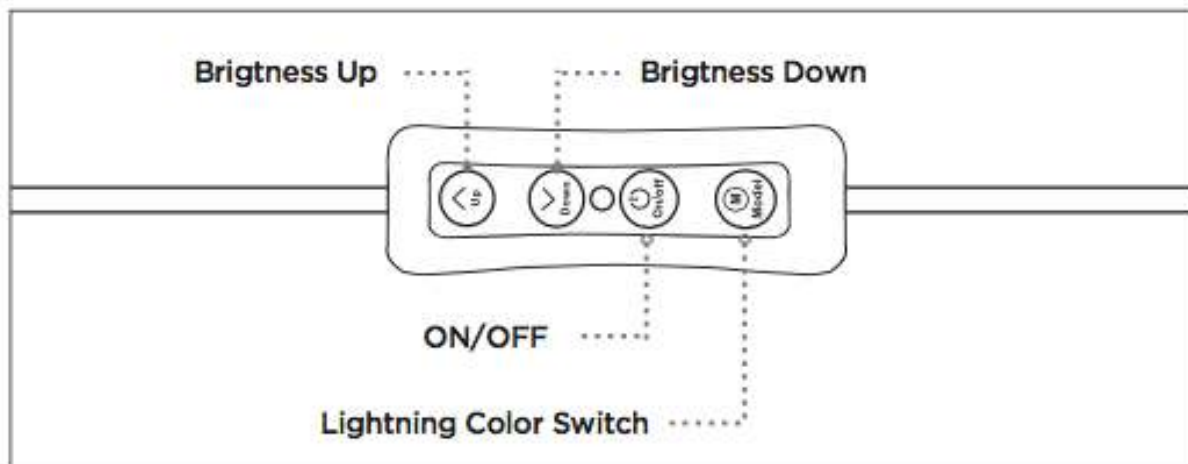


3. Insert the saddle plate into the top of the tripod, add screws to tighten or remove the lights and other accessories



4. Loosen the screw counterclockwise, select the appropriate angle (180 rotation angle), then tighten the screw clockwise to fix the selfie stick platform head.

Lighting Controller



How To Choose Lighting Mode

To adjust the color temperature, press the lighting color switch.

We offer three modes:

- cool light (white)
- natural light (white+yellow)
- warm light (yellow)



Cool Light

White



Natural Light

White + Yellow



Warm Light

Yellow

3-Light Mode, 10-Level Brightness

 **Warning:**

- Do not plug the usb cable in a non CE certified product

Suitable For Most Of Usb Port

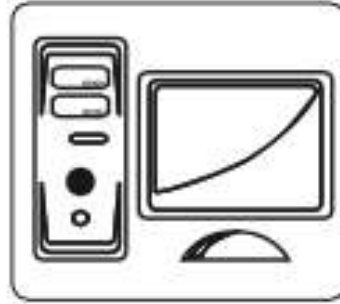
Computers, laptops, USB port, powerbank and other devices can charge the ring light by USB.



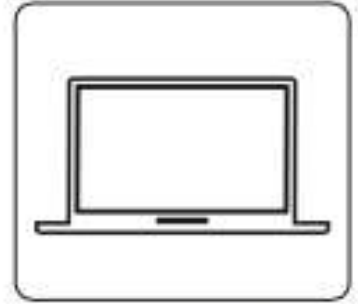
USB Socket



Portable Power



Computer



Notebook



Questions? Please contact us!

Contact details:

Telephone number: 0299 77 94
53

E-mail: info@r2bstore.nl

Address: Magneet 12T, 1446XD,
Purmerend, The Netherlands

