

WORLEY'S

LIGHTING

Billy Sconce

SPECIFICATIONS

- Overall: 8" Depth x 6" Width x 10" Height
- Base: 5" Diameter, .75" Depth
- Shade: 6" Diameter
- Wall Clearance: 2"
- Materials: Hardwood, Metal, Porcelain, Glass

LAMPING

- Incandescent, Dimable, LED
- Compatible, bulb included
- 60 Watt Max
- 110V - 220V
- E26 Base

CERTIFICATIONS

UL Listed in USA and Canada for dry and damp locations

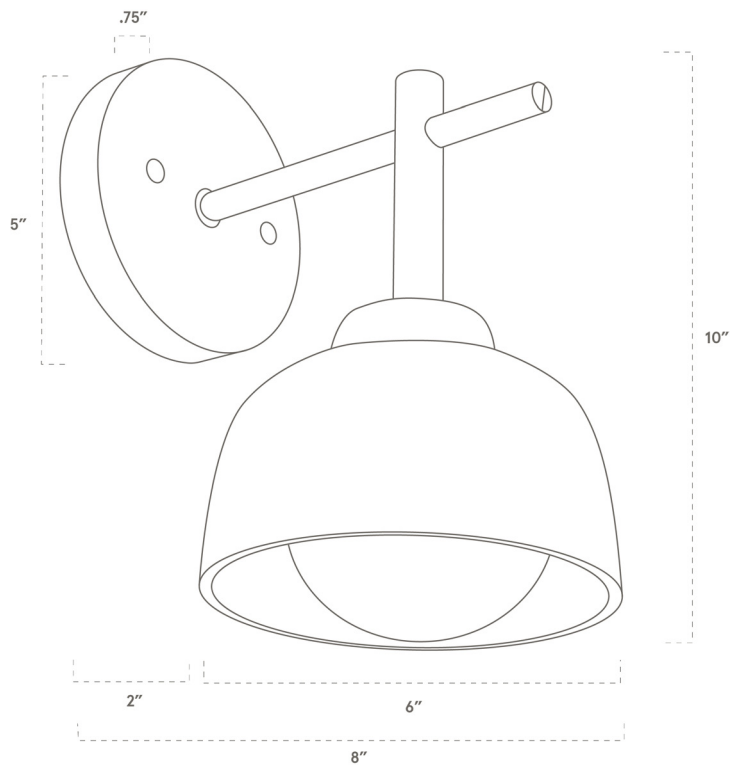


Handcrafted in the USA

FINISHES

Available in 7 wood and 7 metal finishes and 3 porcelain colors. Swatches are available online at worleyslighting.com/finishes

For pricing and purchasing, please visit worleyslighting.com or contact us with further questions.



WORLEYSLIGHTING.COM — 803.230.5170

INFO@WORLEYSLIGHTING.COM