

WORLEY'S

LIGHTING

Wood Hood Flush Mount

SPECIFICATIONS

- Overall: 9" Depth x 9" Width x 11" Height
- Base: 5" Diameter, .75" Depth
- Shade: 9" Diameter, 5.5" Height
- Materials: Hardwood, Metal

LAMPING

- Incandescent, Dimable, LED
- Compatible, bulb not included
- 60 Watt Max
- 110V - 220V
- E26 Base

CERTIFICATIONS

UL Listed in USA and Canada for dry and damp locations

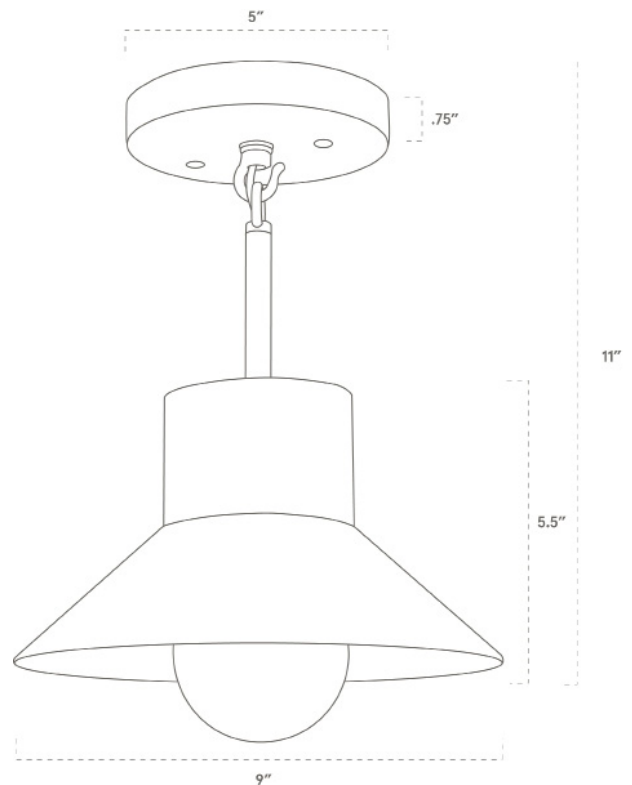


Handcrafted in the USA

FINISHES

Available in 5 wood and 6 metal finishes. Swatches are available online at worleyslighting.com/finishes

For pricing and purchasing, please visit worleyslighting.com or contact us with further questions.



WORLEYSLIGHTING.COM — 803.230.5170

INFO@WORLEYSLIGHTING.COM