



HYDROTHERM
TOWEL RAILS

2022 - 2023

The Ultimate Bathroom Accessory

HYDROTHERM
T O W E L R A I L S



96 Commercial Drive,
Thomastown, Vic. 3074

Telephone: +61 3 9464 4622
Facsimile: +61 3 9464 4722
Email: info@hydrotherm.com.au
Web: www.hydrotherm.com.au

ABN: 89 004 963 893

Hydrotherm and their agents shall not be responsible for incorrect application or use of Hydrotherm products. Any advice, recommendation, information or assistance provided by Hydrotherm in relation to goods manufactured by it or their use and application is given in good faith and is believed to be appropriate and reliable. Alterations to models or technical specifications may be made without further notice.

Contents	
HYDROTHERM DIFFERENCE	4
TUBE SERIES	6
TUBE CAD SPECIFICATIONS	8
TR SERIES	10
TR CAD SPECIFICATIONS	12
H SERIES	13
H CAD SPECIFICATIONS	15
FLOOR TO CEILING SERIES	16
FC CAD SPECIFICATIONS	18
B SERIES	19
B CAD SPECIFICATIONS	21
SWIVEL SERIES	22
SWIVEL CAD SPECIFICATIONS	24
HW SERIES	25
HW CAD SPECIFICATIONS	27
HR SERIES	28
HR CAD SPECIFICATIONS	30
CUSTOM OPTIONS	31
CUSTOM MADE	31
PRICING	32
PRICING TUBE SERIES	32
PRICING TR SERIES	34
PRICING H SERIES	37
PRICING FC SERIES	40
PRICING B SERIES	41
PRICING BFS SERIES	42
PRICING HSW SERIES	43
PRICING HW SERIES	44
PRICING HR SERIES	46
PRICING ACCESSORIES	48



OUR DIFFERENCE

Hydrotherm sets the standard in heated towel rail design. All Hydrotherm heated towel rails are manufactured entirely from copper tube and solid brass fittings, before being finished in a highly durable electroplate. Copper Tube, renowned for its high thermal conductivity, allows greater heat transfer to your towels, ensuring they dry quickly and evenly.



Hydrotherm's innovative heating elements are immersed in water to ensure a consistent temperature across each rail. All heating elements are thermostatically controlled to maintain the external temperature without the need to continually draw power. Hydrotherm heated towel rails are the most energy efficient on the market.

- 100% Australian made & owned
- Copper Tube for optimal heat transfer
- Water filled, with heating immersion element
- Low wattage for high energy efficiency 240 Volt
- Standard chrome plate mirror finish
- Lifetime product
- Easily replaceable heating elements
- Solid brass fittings
- Power entry interchangeable (Bottom only)
- All models available in heated or non heated
- Custom made designs and finishes
- Powder coated models produce 30% more heat

Explore our full range of designer heated towel rails at www.hydrotherm.com.au

WARRANTY

At Hydrotherm we pride ourselves on the highest quality standards of design and manufacturing. All Hydrotherm products come with a 10 year manufacturer's warranty on the construction and finish of our towel rails. All electric heating elements are also covered by a 3 year manufacturer's warranty.



Construction & Finish
Manufacturers Warranty



Electric Element
Manufacturers Warranty

TUBE SERIES





Single Tube

Size: 50mm ø x 900mm

Element: 40 watt

Finish: Chrome/ Matt Black

Brushed Nickel / Brushed Gunmetal

Brushed Rose Gold / Brushed Gold

Brushed Brass

PVD Options: Brushed Bronze/ Brushed
Gunmetal/ Platinum Gold



Single Tube

Size: 50mm ø x 900mm

Element: 40 watt

Finish: Chrome/ Matt Black

Brushed Nickel / Brushed Gunmetal

Brushed Rose Gold / Brushed Gold

Brushed Brass

PVD Options: Brushed Bronze/ Brushed
Gunmetal/ Platinum Gold



Triple Tubes

Size: 50mm ø x 900mm

Element: 40 watt

Finish: Chrome/ Matt Black

Brushed Nickel / Brushed Gunmetal

Brushed Rose Gold / Brushed Gold

Brushed Brass

PVD Options: Brushed Bronze/ Brushed
Gunmetal/ Platinum Gold



Triple Tubes

Size: 50mm ø x 900mm

Element: 40 watt

Finish: Chrome/ Matt Black

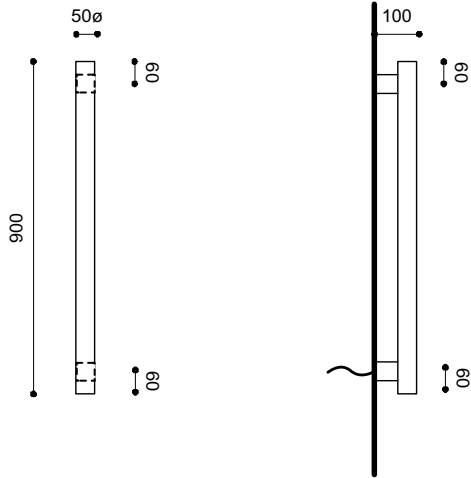
Brushed Nickel / Brushed Gunmetal

Brushed Rose Gold / Brushed Gold

Brushed Brass

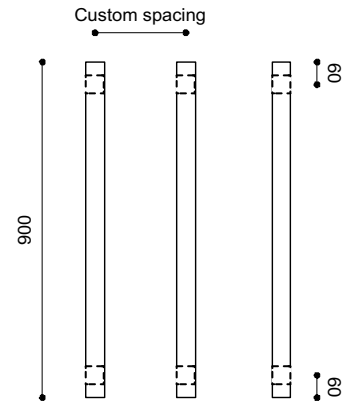
PVD Options: Brushed Bronze/ Brushed
Gunmetal/ Platinum Gold

TUBE CAD SPECIFICATIONS



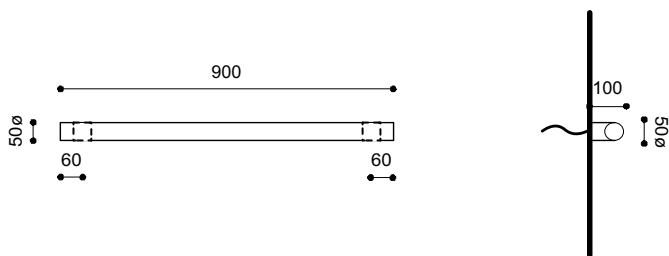
Single Tube Model

900mm(h) x 50mm \emptyset
40W | Hardwired (IPX5) 240v



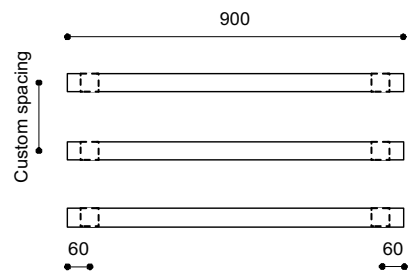
Triple Tube Combination

900mm(h) x 50mm \emptyset
40W | Hardwired (IPX5) 240v



Single Tube Model

900mm(w) x 50mm \emptyset
40W | Hardwired (IPX5) 240v



Triple Tube Combination

900mm(w) x 50mm \emptyset
40W | Hardwired (IPX5) 240v

TUBE SERIES

Hydrotherm's Tube Series boldly focuses on the clean, contemporary design.

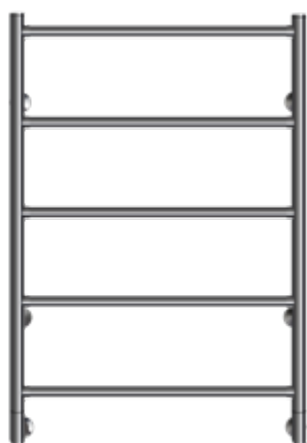
Uniquely unassuming, the Tube Series has been cleverly designed to function both vertically and horizontally. It's brash 50mm dimensions provide the platform for increased heat transfer and optimum functionality. The Tube Series has the ability to complement every individual style. The selection of atheistically stunning Bespoke finishes offer the innate ability to capture the now. Strikingly flawless and highly durable, these finishes will allow you to express your own artistic vision, and style.

TR SERIES



TR SERIES

A vision of style and simplicity the TR series perfects minimalist design and practicality. The evenly spaced rails make the TR Series ideal for drying towels. Its generous gaps allow bulky fabrics to be draped over with ease.



TR1 Model

Height: 700mm + Hard Wire
Widths: 400, 500, 600, 700, 800
Element: 70-150 watt
Finish: Chrome / Matt Black
 White / Brushed Nickel



TR2 Model

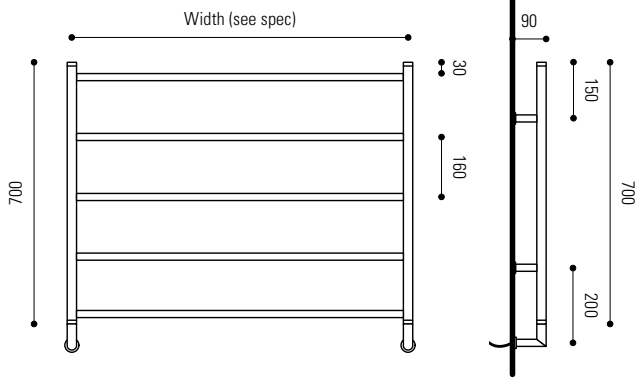
Height: 1020mm + Hard Wire
Widths: 400, 500, 600, 700, 800
Element: 70-200 watt
Finish: Chrome / Matt Black
 White / Brushed Nickel



TR3 Model

Height: 1500mm + Hard Wire
Widths: 400, 500, 600, 700, 800
Element: 100-200 watt
Finish: Chrome / Matt Black
 White / Brushed Nickel

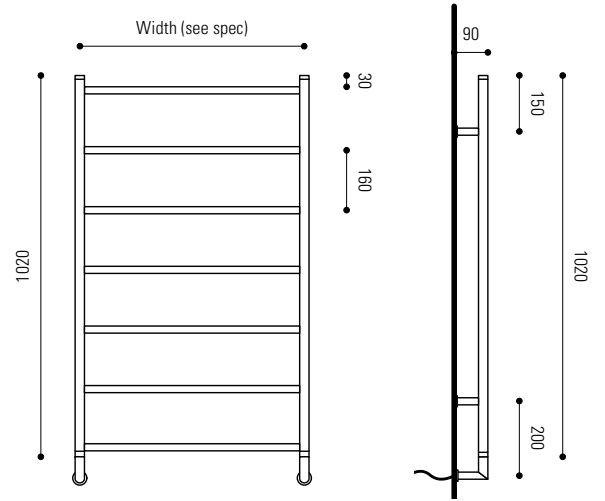
TR CAD SPECIFICATIONS



TR1 Model

700mm(h) x 600mm(w)

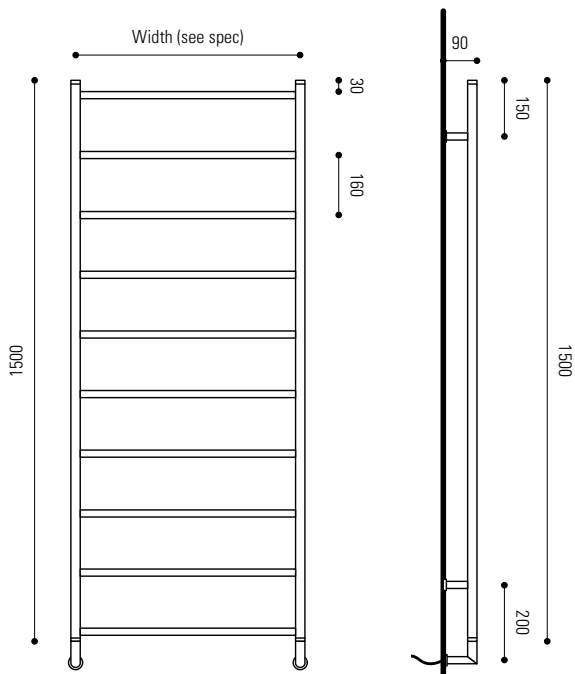
70-150W | Hardwired (IPX5) 240v



TR2 Model

1020mm(h) x 600mm(w)

70-200W | Hardwired (IPX5) 240v



TR3 Model

1500mm(h) x 600mm(w)

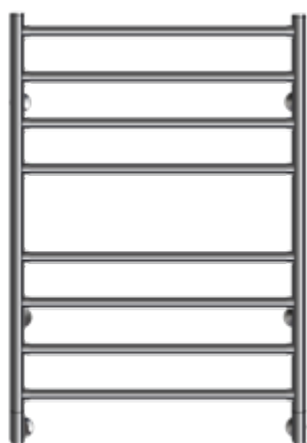
100-200W | Hardwired (IPX5) 240v

H SERIES



H SERIES

The H Series combines sleek design and superior functionality. Its additional clustered bars provide enhanced heat transfer, ideal for drying and warming towels. The H series models may also be used to deliver ambient bathroom heat (subject to sizing and finish).



H2 Model

Height: 700mm + Hard Wire
Widths: 400, 500, 600, 700, 800
Element: 70-150 watt
Finish: Chrome / Matt Black
 White / Brushed Nickel



H3 Model

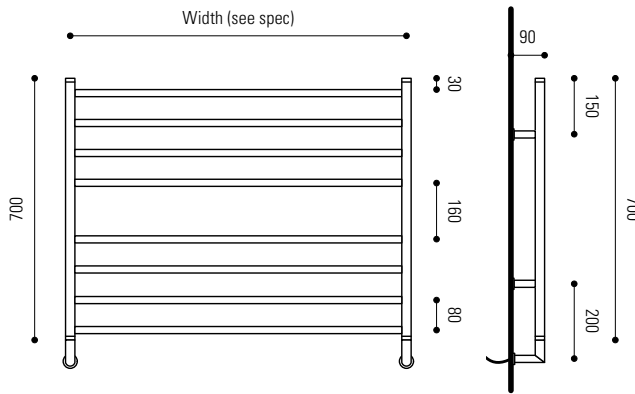
Height: 1100mm + Hard Wire
Widths: 400, 500, 600, 700, 800
Element: 100-200 watt
Finish: Chrome / Matt Black
 White / Brushed Nickel



H4 Model

Height: 1500mm + Hard Wire
Widths: 400, 500, 600, 700, 800
Element: 100-250 watt
Finish: Chrome / Matt Black
 White / Brushed Nickel

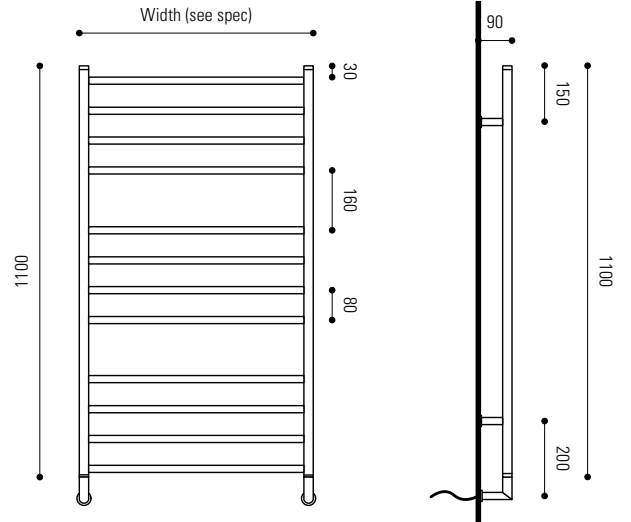
H CAD SPECIFICATIONS



H2 Model

700mm(h) x 600mm(w)

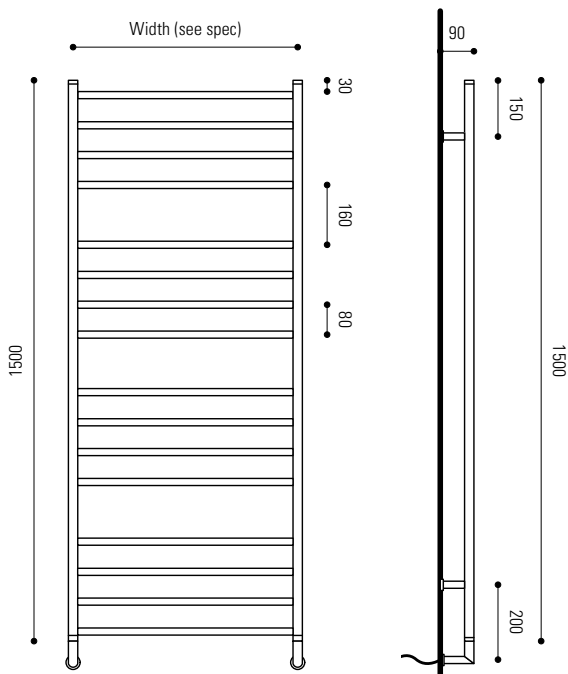
70-150W | Hardwired (IPX5) 240v



H3 Model

1100mm(h) x 600mm(w)

100-200W | Hardwired (IPX5) 240v



H4 Model

1500mm(h) x 600mm(w)

100-250W | Hardwired (IPX5) 240v

FLOOR TO CEILING SERIES



FLOOR TO CEILING SERIES

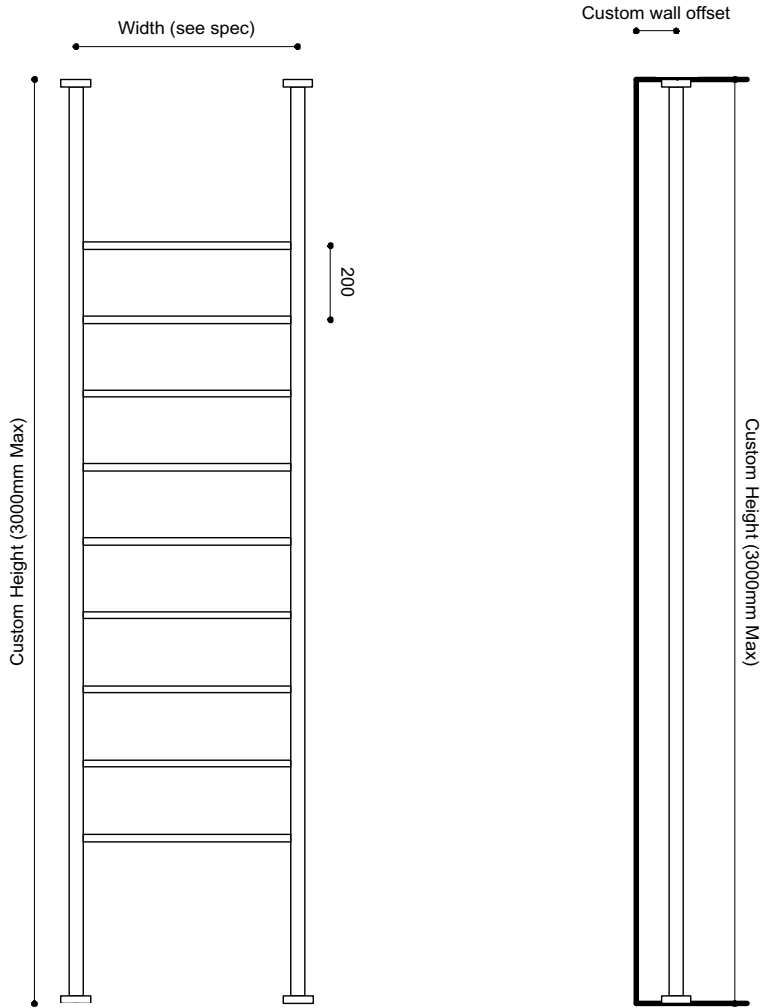
Hydrotherm's signature series, the Floor to Ceiling range is a bold symbol of class, supremacy and style. A centrepiece for designer bathrooms, these models signify superior luxury, whilst generating clean radiant warmth. The ultimate bathroom accessory...



Floor to Ceiling

Height:	3000mm Max
Widths:	500, 600, 700
Element:	200-250 watt
Finish:	Chrome/ Matt Black Brushed Nickel

FC CAD SPECIFICATIONS



Floor to Ceiling Model

3000mm(h max) x 600mm(w)

200-250W | Hardwired (IPX5)

Wiring Options: Cable through Floor **or** Ceiling available (Not Universal)

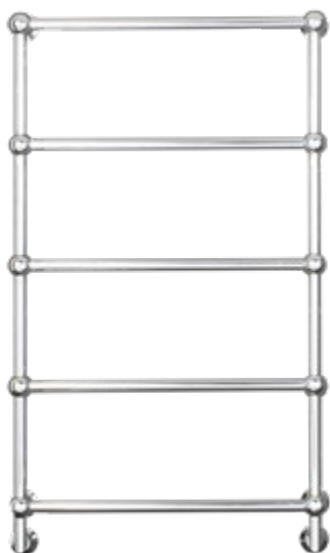
Heated Towel Rails

B SERIES



B SERIES

Characterised by classical features, the B-Series brings timeless elegance into your bathroom. A symbol of sophisticated style, the B Series adds designer luxury to traditional bathrooms.



B Model - Wall Mounted

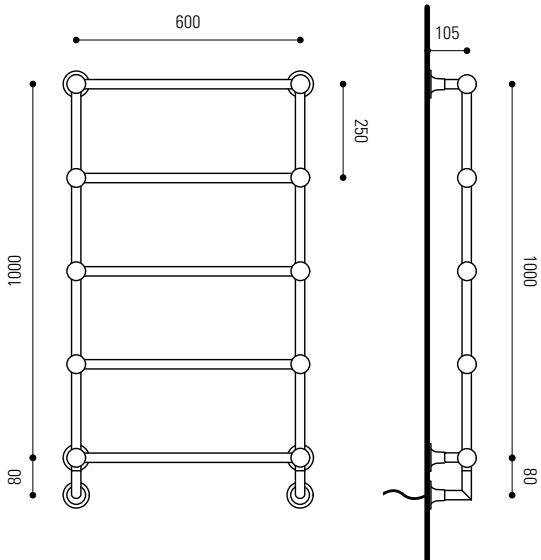
Height:	1000mm + Hard Wire
Widths:	600mm (standard) 500, 700, 800mm (custom)
Element:	100-150 watt
Finish:	Chrome / Matt Black White / Brushed Nickel



B Model - Freestanding - Floor & Wall Mounted

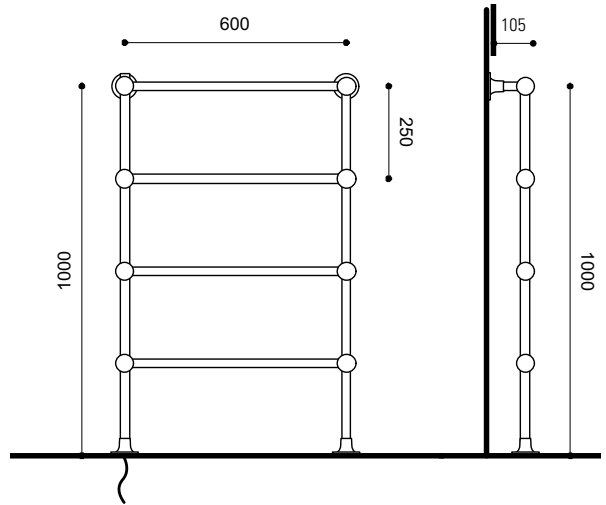
Height:	1000mm
Widths:	600mm (standard) 500, 700, 800mm (custom)
Element:	100-150 watt
Finish:	Chrome / Matt Black White / Brushed Nickel

B CAD SPECIFICATIONS



B Model - Wall Mounted

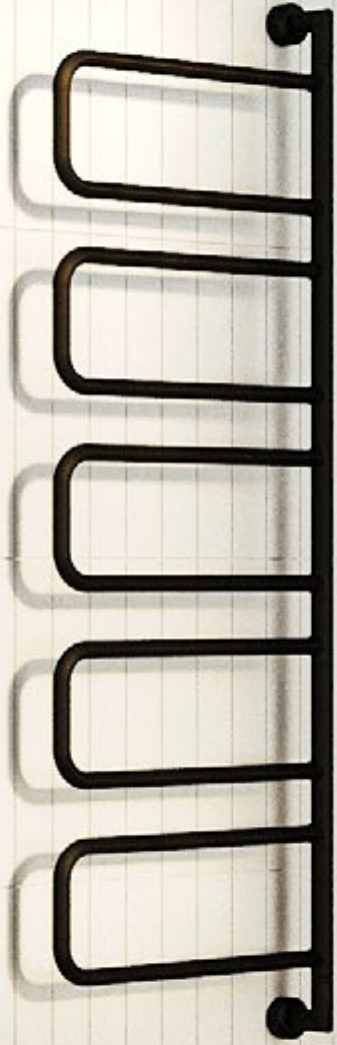
1000mm(h) x 600mm(w)
100-150W | Hardwired (IPX5) 240v



**B Model - Freestanding
- Floor & Wall Mounted**

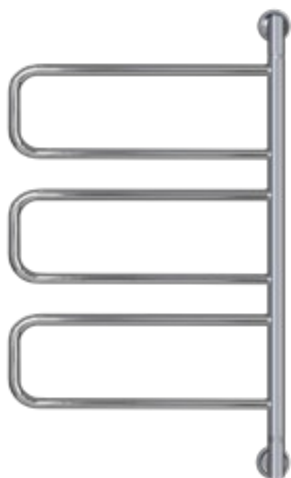
1000mm(h) x 600mm(w)
100-150W | Hardwired (IPX5) 240v

SWIVEL SERIES



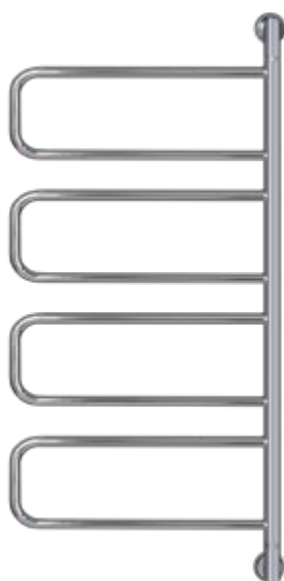
SWIVEL SERIES

Hydrotherm's Swivel Series ensures maximum functionality without compromising vast expanses of wall space. The swivel action conveniently allows towels to be accessed quickly and easily, giving you the perfect combination of flair and functionality.



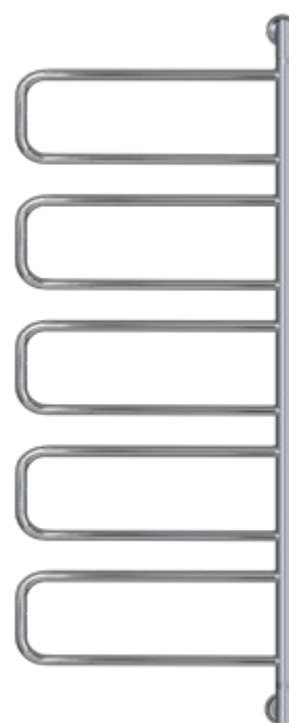
Swivel 3 Model

Height: 750mm
Width: 400mm
Element: 40 watt
Finish:
 Chrome / Matt Black
 White / Brushed Nickel



Swivel 4 Model

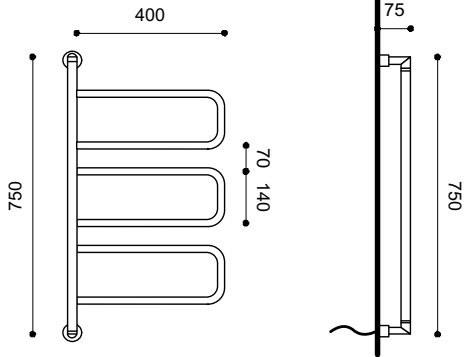
Height: 960mm
Width: 400mm
Element: 70 watt
Finish:
 Chrome / Matt Black
 White / Brushed Nickel



Swivel 5 Model

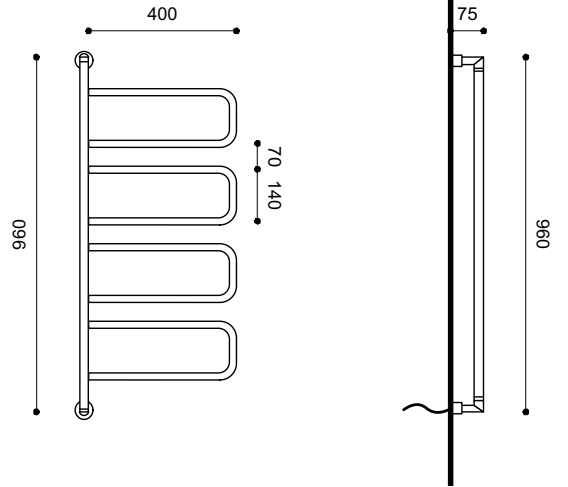
Height: 1170mm
Width: 400mm
Element: 100 watt
Finish:
 Chrome / Matt Black
 White / Brushed Nickel

SWIVEL CAD SPECIFICATIONS



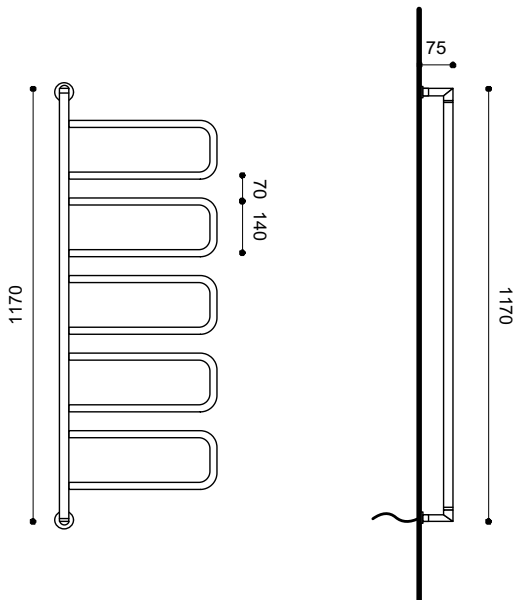
Swivel 3 Model

750mm(h) x 400mm(w)
40W | Hardwired (IPX5) 240v



Swivel 4 Model

960mm(h) x 400mm(w)
70W | Hardwired (IPX5) 240v



Swivel 5 Model

1170mm(h) x 400mm(w)
100W | Hardwired (IPX5) 240v

HW SERIES



HW SERIES - HYDRONIC ONLY

The HW series towel rails have been specifically designed for hydronic heating systems.

The larger tube diameter and clustered bars has been designed to maximise heat output, whilst maintaining its clean, sleek appearance. The HW series is the designer's choice for superior functionality.



HW2 Model

Height: 820mm + Connection
Widths: 600mm (Standard)
 500, 700, 800 (Custom)
Output: 0.3 - 0.55 Kwatt
Finish: Chrome / Matt Black
 White / Brushed Nickel



HW3 Model

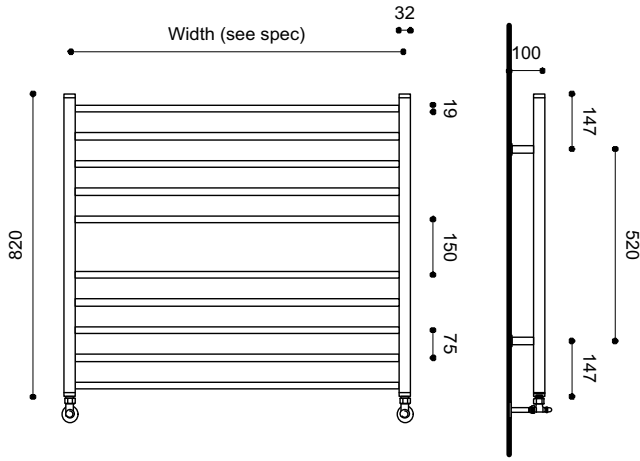
Height: 1270mm + Connection
Widths: 600mm (Standard)
 500, 700, 800 (Custom)
Output: 0.6 - 0.85 Kwatt
Finish: Chrome / Matt Black
 White / Brushed Nickel



HW4 Model

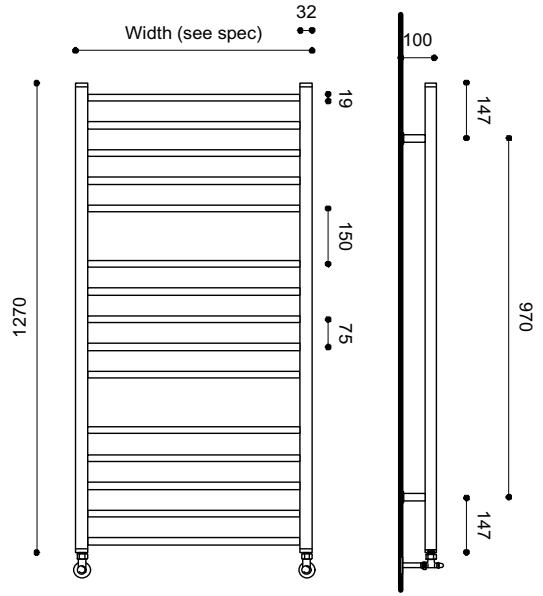
Height: 1720mm + Connection
Widths: 600mm (Standard)
 500, 700, 800 (Custom)
Output: 0.9 - 1.15 Kwatt
Finish: Chrome / Matt Black
 White / Brushed Nickel

HW CAD SPECIFICATIONS



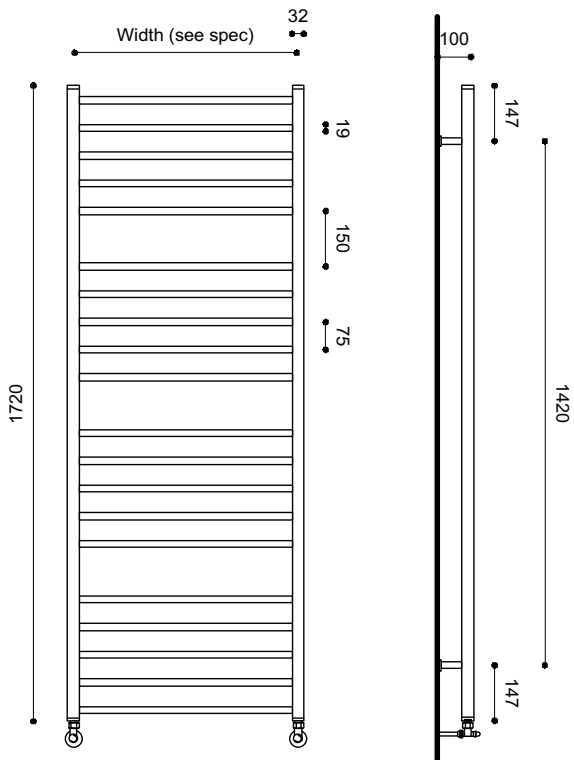
HW2 Model

820mm(h) x 600mm(w)
0.3-0.55Kw | Hydronic Valve



HW3 Model

1270mm(h) x 600mm(w)
0.6-0.85Kw | Hydronic Valve



HW4 Model

1720mm(h) x 600mm(w)
0.9-1.15Kw | Hydronic Valve

HR SERIES



HR SERIES - HYDRONIC ONLY

The HR Series towel rails have been specifically designed for hydronic heating systems, but have a greater emphasis on design and form. The larger tube diameter increase the heat output while still maintaining the evenly spaced bars and its minimalist appearance. The HR Series is the designer's choice for both form and function.



HR1 Model

Height: 820mm + Connection

Widths: 600mm (Standard)
500, 700, 800 (Custom)

Output: 0.13 - 0.25 Kwatt

Finish: Chrome / Matt Black
White / Brushed Nickel



HR2 Model

Height: 1270mm + Connection

Widths: 600mm (Standard)
500, 700, 800 (Custom)

Output: 0.2 - 0.37 Kwatt

Finish: Chrome / Matt Black
White / Brushed Nickel



HR3 Model

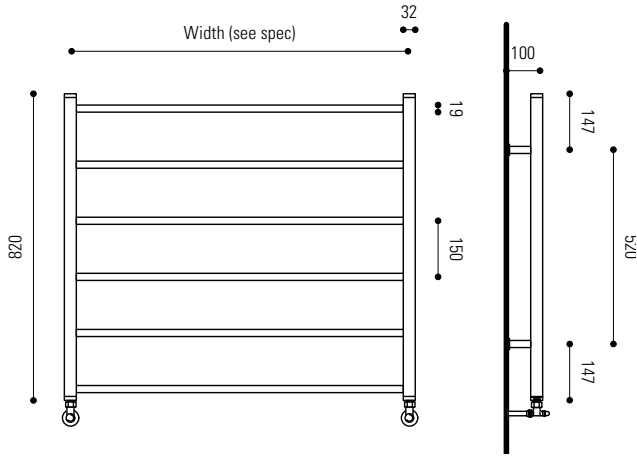
Height: 1720mm + Connection

Widths: 600mm (Standard)
500, 700, 800 (Custom)

Output: 0.27 - 0.50 Kwatt

Finish: Chrome / Matt Black
White / Brushed Nickel

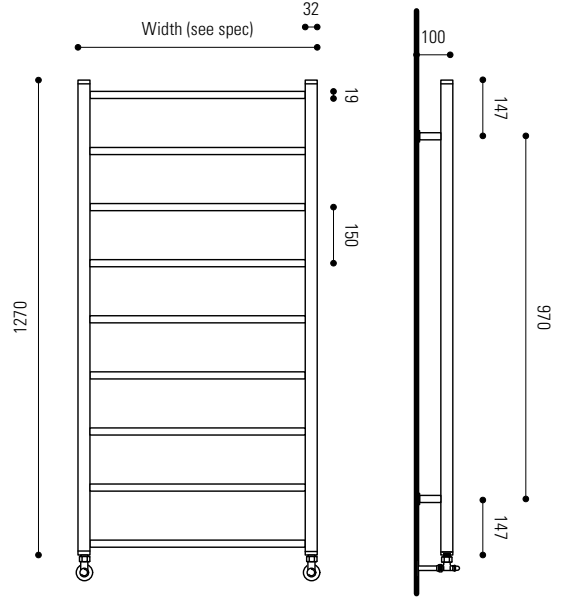
HR CAD SPECIFICATIONS



HR1 Model

820mm(h) x 600mm(w)

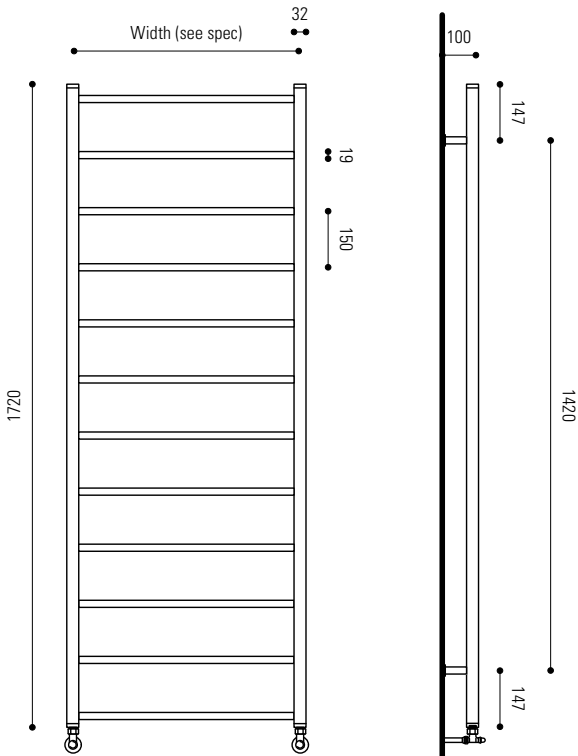
0.13-0.25Kw | Hydronic Valve



HR2 Model

1270mm(h) x 600mm(w)

0.2-0.37Kw | Hydronic Valve



HR3 Model

1720mm(h) x 600mm(w)

0.27-0.5Kw | Hydronic Valve

CUSTOM OPTIONS



Custom Made

For the designer conscious searching for something unique... Hydrotherm's expert production team can cater for almost any individual specification.

Inquire within today

PRICING

PRICING TUBE SERIES

T1

Model	Description	RRP (GST Incl.)
T1-CP	Electric - Single Tube - Hard Wired - Chrome - 50mm x 900mm	\$ 785
T1-BN	Electric - Single Tube - Hard Wired - Br. Nickel - 50mm x 900mm	\$ 925
T1-MB	Electric - Single Tube - Hard Wired - Matt Black - 50mm x 900mm	\$ 785
T1-WH	Electric - Single Tube - Hard Wired - White - 50mm x 900mm	\$ 785
T1-BG	Electric - Single Tube - Hard Wired - Br. Gold - 50mm x 900mm	\$ 1,015
T1-GM	Electric - Single Tube - Hard Wired - Br. Gunmetal - 50mm x 900mm	\$ 925
T1-CP-NE	Non - Electric -Single Tube - Chrome - 50mm x 900mm	\$ 730
T1-BN-NE	Non - Electric -Single Tube - Br. Nickel - 50mm x 900mm	\$ 865
T1-MB-NE	Non - Electric -Single Tube - Matt Black- 50mm x 900mm	\$ 730
T1-WH-NE	Non - Electric -Single Tube - White - 50mm x 900mm	\$ 730
T1-BG-NE	Non - Electric -Single Tube - Br. Gold - 50mm x 900mm	\$ 965
T1-GM-NE	Non - Electric -Single Tube - Br. Gunmetal - 50mm x 900mm	\$ 865

T3

Model	Description	RRP (GST Incl.)
T3-CP	Electric - Triple Tube - Hard Wired - Chrome - 50mm x 900mm	\$ 2,185
T3-BN	Electric - Triple Tube - Hard Wired - Br. Nickel - 50mm x 900mm	\$ 2,580
T3-MB	Electric - Triple Tube - Hard Wired - Matt Black - 50mm x 900mm	\$ 2,185
T3-WH	Electric - Triple Tube - Hard Wired - White - 50mm x 900mm	\$ 2,185
T3-BG	Electric - Triple Tube - Hard Wired - Br. Gold - 50mm x 900mm	\$ 2,965
T3-GM	Electric - Triple Tube - Hard Wired - Br. Gunmetal - 50mm x 900mm	\$ 2,580
T3-CP-NE	Non - Electric - Triple Tube - Chrome - 50mm x 900mm	\$ 2,025
T3-BN-NE	Non - Electric - Triple Tube - Br. Nickel - 50mm x 900mm	\$ 2,405
T3-MB-NE	Non - Electric - Triple Tube - Matt Black- 50mm x 900mm	\$ 2,025
T3-WH-NE	Non - Electric - Triple Tube - White - 50mm x 900mm	\$ 2,025
T3-BG-NE	Non - Electric - Triple Tube - Br. Gold - 50mm x 900mm	\$ 2,770
T3-GM-NE	Non - Electric - Triple Tube - Br. Gunmetal - 50mm x 900mm	\$ 2,405

All pricing inclusive of GST

Estimated Lead Times:

-  Chrome - 1 Week
-  Matt Black - 1 Week
-  White - 1 Week
-  Br. Gun Metal - 1 Week
-  Br. Nickel - 1 Week
-  Br. Gold - 6 Weeks

RH

Model	Description	RRP (GST Incl.)
RH-CP	Robe Hook - Chrome	\$ 95
RH-BN	Robe Hook - Br. Nickel	\$ 105
RH-MB	Robe Hook - Matt Black	\$ 95
RH-WH	Robe Hook - White	\$ 95
RH-BG	Robe Hook - Br. Gold	\$ 110
RH-GM	Robe Hook - Br. Gunmetal	\$ 105

PVD




Model	Description	RRP (GST Incl.)
T1-BB	Electric - Single Tube - Hard Wired - PVD Br. Bronze - 50mm x 900mm	\$ 1,065.00
T1-BGM	Electric - Single Tube - Hard Wired - PVD Br. Gunmetal - 50mm x 900mm	\$ 1,065.00
T1-PG	Electric - Single Tube - Hard Wired - PVD Br. Platinum Gold - 50mm x 900mm	\$ 1,120.00
T3-BB	Electric - Triple Tube - Hard Wired - PVD Br. Bronze - 50mm x 900mm	\$ 3,000.00
T3-BGM	Electric - Triple Tube - Hard Wired - PVD Br. Gunmetal - 50mm x 900mm	\$ 3,000.00
T3-PG	Electric - Triple Tube - Hard Wired - PVD Br. Platinum Gold - 50mm x 900mm	\$ 3,320.00
RH-BB	Robe Hook - Br. Bronze	\$ 120.00
RH-BGM	Robe Hook - Br. Gunmetal	\$ 120.00
RH-PG	Robe Hook - Platinum Gold	\$ 130.00

All pricing inclusive of GST

Estimated Lead Times:

-  Chrome - 1 Week
-  Matt Black - 1 Week
-  White - 1 Week
-  Br. Gun Metal - 1 Week
-  Br. Nickel - 1 Week
-  Br. Gold - 6 Weeks

PVD Estimated Lead Times:

-  PVD Brushed Bronze - 6 Weeks
-  PVD Brushed Gun Metal - 6 Weeks
-  PVD Brushed Platinum Gold - 6 Weeks

PRICING TR SERIES

TR1

Model	Description	RRP (GST Incl.)
TR1/400CP	Electric Towel Rail - Hard Wired - Chrome - 700mm x 400mm	\$ 1,170
TR1/400MB	Electric Towel Rail - Hard Wired - Matt Black - 700mm x 400mm	\$ 1,170
TR1/400BN	Electric Towel Rail - Hard Wired - Br. Nickel - 700mm x 400mm	\$ 1,370
TR1/400WH	Electric Towel Rail - Hard Wired - White - 700mm x 400mm	\$ 1,095
TR1/400CP-NE	Non - Electric Towel Rail - Chrome - 700mm x 400mm	\$ 910
TR1/400MB-NE	Non - Electric Towel Rail - Matt Black - 700mm x 400mm	\$ 910
TR1/400BN-NE	Non - Electric Towel Rail - Br. Nickel - 700mm x 400mm	\$ 1,130
TR1/400WH-NE	Non - Electric Towel Rail - White - 700mm x 400mm	\$ 910
TR1/500CP	Electric Towel Rail - Hard Wired - Chrome - 700mm x 500mm	\$ 1,155
TR1/500MB	Electric Towel Rail - Hard Wired - Matt Black - 700mm x 500mm	\$ 1,155
TR1/500BN	Electric Towel Rail - Hard Wired - Br. Nickel - 700mm x 500mm	\$ 1,445
TR1/500WH	Electric Towel Rail - Hard Wired - White - 700mm x 500mm	\$ 1,155
TR1/500CP-NE	Non - Electric Towel Rail - Chrome 700mm x 500mm	\$ 960
TR1/500MB-NE	Non - Electric Towel Rail - Matt Black - 700mm x 500mm	\$ 960
TR1/500BN-NE	Non - Electric Towel Rail - Br. Nickel 700mm x 500mm	\$ 1,090
TR1/500WH-NE	Non - Electric Towel Rail - White - 700mm x 500mm	\$ 960
TR1/600CP	Electric Towel Rail - Hard Wired - Chrome - 700mm x 600mm	\$ 1,200
TR1/600MB	Electric Towel Rail - Hard Wired - Matt Black - 700mm x 600mm	\$ 1,200
TR1/600BN	Electric Towel Rail - Hard Wired - Br. Nickel - 700mm x 600mm	\$ 1,500
TR1/600WH	Electric Towel Rail - Hard Wired - White - 700mm x 600mm	\$ 1,200
TR1/600CP-NE	Non - Electric Towel Rail - Chrome 700mm x 600mm	\$ 1,010
TR1/600MB-NE	Non - Electric Towel Rail - Matt Black - 700mm x 600mm	\$ 1,010
TR1/600BN-NE	Non - Electric Towel Rail - Br. Nickel 700mm x 600mm	\$ 1,260
TR1/600WH-NE	Non - Electric Towel Rail - White - 700mm x 600mm	\$ 1,010
TR1/700CP	Electric Towel Rail - Hard Wired - Chrome 700mm x 700mm	\$ 1,260
TR1/700MB	Electric Towel Rail - Hard Wired - Matt Black - 700mm x 700mm	\$ 1,260
TR1/700BN	Electric Towel Rail - Hard Wired - Br. Nickel - 700mm x 700mm	\$ 1,575
TR1/700WH	Electric Towel Rail - Hard Wired - White - 700mm x 700mm	\$ 1,620
TR1/700CP-NE	Non - Electric Towel Rail - Chrome - 700mm x 700mm	\$ 1,065
TR1/700MB-NE	Non - Electric Towel Rail - Matt Black - 700mm x 700mm	\$ 1,065
TR1/700BN-NE	Non - Electric Towel Rail - Br Nickel 700mm x 700mm	\$ 1,330
TR1/700WH-NE	Non - Electric Towel Rail - White - 700mm x 700mm	\$ 1,065
TR1/800CP	Electric Towel Rail - Hard Wired - Chrome - 700mm x 800mm	\$ 1,310
TR1/800MB	Electric Towel Rail - Hard Wired - Matt Black - 700mm x 800mm	\$ 1,310
TR1/800BN	Electric Towel Rail - Hard Wired - Br. Nickel - 700mm x 800mm	\$ 1,635
TR1/800WH	Electric Towel Rail - Hard Wired - White - 700mm x 800mm	\$ 1,310
TR1/800CP-NE	Non - Electric Towel Rail - Chrome - 700mm x 800mm	\$ 1,110
TR1/800MB-NE	Non - Electric Towel Rail - Matt Black - 700mm x 800mm	\$ 1,110
TR1/800BN-NE	Non - Electric Towel Rail - Br. Nickel - 700mm x 800mm	\$ 1,390
TR1/800WH-NE	Non - Electric Towel Rail - White - 700mm x 800mm	\$ 1,110

All pricing inclusive of GST

Estimated Lead Times:

-  Chrome - 1 Week
-  Matt Black - 2-3 Weeks
-  White - 2-3 Weeks
-  Brushed Nickel - 2-3 Weeks
-  Custom Finishes - Available On Application

TR2

Model	Description	RRP (GST Incl.)
TR2/400CP	Electric Towel Rail - Hard Wired - Chrome - 1020mm x 400mm	\$ 1,245
TR2/400MB	Electric Towel Rail - Hard Wired - Matt Black - 1020mm x 400mm	\$ 1,245
TR2/400BN	Electric Towel Rail - Hard Wired - Br. Nickel - 1020mm x 400mm	\$ 1,550
TR2/400WH	Electric Towel Rail - Hard Wired - White 1020mm x 400mm	\$ 1,245
TR2/400CP-NE	Non - Electric Towel Rail - Chrome 1020mm x 400mm	\$ 1,050
TR2/400MB-NE	Non - Electric Towel Rail - Matt Black - 1020mm x 400mm	\$ 1,050
TR2/400BN-NE	Non - Electric Towel Rail - Br. Nickel 1020mm x 400mm	\$ 1,315
TR2/400WH-NE	Non - Electric Towel Rail - White - 1020mm x 400mm	\$ 1,050
TR2/500CP	Electric Towel Rail - Hard Wired - Chrome - 1020mm x 500mm	\$ 1,305
TR2/500MB	Electric Towel Rail - Hard Wired - Matt Black - 1020mm x 500mm	\$ 1,305
TR2/500BN	Electric Towel Rail - Hard Wired - Br. Nickel - 1020mm x 500mm	\$ 1,630
TR2/500WH	Electric Towel Rail - Hard Wired - White 1020mm x 500mm	\$ 1,305
TR2/500CP-NE	Non - Electric Towel Rail - Chrome 1020mm x 500mm	\$ 1,105
TR2/500MB-NE	Non - Electric Towel Rail - Matt Black - 1020mm x 500mm	\$ 1,105
TR2/500BN-NE	Non - Electric Towel Rail - Br. Nickel 1020mm x 500mm	\$ 1,385
TR2/500WH-NE	Non - Electric Towel Rail - White - 1020mm x 500mm	\$ 1,105
TR2/600CP	Electric Towel Rail - Hard Wired - Chrome - 1020mm x 600mm	\$ 1,350
TR2/600MB	Electric Towel Rail - Hard Wired - Matt Black - 1020mm x 600mm	\$ 1,350
TR2/600BN	Electric Towel Rail - Hard Wired - Br. Nickel - 1020mm x 600mm	\$ 1,690
TR2/600WH	Electric Towel Rail - Hard Wired - White 1020mm x 600mm	\$ 1,350
TR2/600CP-NE	Non - Electric Towel Rail - Chrome 1020mm x 600mm	\$ 1,155
TR2/600MB-NE	Non - Electric Towel Rail - Matt Black - 1020mm x 600mm	\$ 1,155
TR2/600BN-NE	Non - Electric Towel Rail - Br. Nickel 1020mm x 600mm	\$ 1,445
TR2/600WH-NE	Non - Electric Towel Rail - White - 1020mm x 600mm	\$ 1,155
TR2/700CP	Electric Towel Rail - Hard Wired - Chrome 1020mm x 700mm	\$ 1,410
TR2/700MB	Electric Towel Rail - Hard Wired - Matt Black - 1020mm x 700mm	\$ 1,410
TR2/700BN	Electric Towel Rail - Hard Wired - Br. Nickel - 1020mm x 700mm	\$ 1,765
TR2/700WH	Electric Towel Rail - Hard Wired - White - 1020mm x 700mm	\$ 1,410
TR2/700CP-NE	Non - Electric Towel Rail - Chrome - 1020mm x 700mm	\$ 1,205
TR2/700MB-NE	Non - Electric Towel Rail - Matt Black - 1020mm x 700mm	\$ 1,205
TR2/700BN-NE	Non - Electric Towel Rail - Br Nickel 1020mm x 700mm	\$ 1,505
TR2/700WH-NE	Non - Electric Towel Rail - White - 1020mm x 700mm	\$ 1,205
TR2/800CP	Electric Towel Rail - Hard Wired - Chrome - 1020mm x 800mm	\$ 1,460
TR2/800MB	Electric Towel Rail - Hard Wired - Matt Black - 1020mm x 800mm	\$ 1,460
TR2/800BN	Electric Towel Rail - Hard Wired - Br. Nickel - 1020mm x 800mm	\$ 1,820
TR2/800WH	Electric Towel Rail - Hard Wired - White - 1020mm x 800mm	\$ 1,460
TR2/800CP-NE	Non - Electric Towel Rail - Chrome - 1020mm x 800mm	\$ 1,255
TR2/800MB-NE	Non - Electric Towel Rail - Matt Black - 1020mm x 800mm	\$ 1,255
TR2/800BN-NE	Non - Electric Towel Rail - Br. Nickel - 1020mm x 800mm	\$ 1,565
TR2/800WH-NE	Non - Electric Towel Rail - White - 1020mm x 800mm	\$ 1,255

All pricing inclusive of GST

Estimated Lead Times:


-  Chrome - 1 Week
-  Matt Black - 2-3 Weeks
-  White - 2-3 Weeks
-  Brushed Nickel - 2-3 Weeks
-  Custom Finishes - Available On Application

TR3

Model	Description	RRP (GST Incl.)
TR3/400CP	Electric Towel Rail - Hard Wired - Chrome - 1500mm x 400mm	\$ 1,415
TR3/400MB	Electric Towel Rail - Hard Wired - Matt Black -1500mm x 400mm	\$ 1,415
TR3/400BN	Electric Towel Rail - Hard Wired - Br. Nickel - 1500mm x 400mm	\$ 1,770
TR2/400WH	Electric Towel Rail - Hard Wired - White 1500mm x 400mm	\$ 1,415
TR3/400CP-NE	Non - Electric Towel Rail - Chrome 1500mm x 400mm	\$ 1,210
TR3/400MB-NE	Non - Electric Towel Rail - Matt Black - 1500mm x 400mm	\$ 1,210
TR3/400BN-NE	Non - Electric Towel Rail - Br. Nickel 1500mm x 400mm	\$ 1,515
TR3/400WH-NE	Non - Electric Towel Rail - White - 1500mm x 400mm	\$ 1,210
TR3/500CP	Electric Towel Rail - Hard Wired - Chrome - 1500mm x 500mm	\$ 1,485
TR3/500MB	Electric Towel Rail - Hard Wired - Matt Black - 1500mm x 500mm	\$ 1,485
TR3/500BN	Electric Towel Rail - Hard Wired - Br. Nickel - 1500mm x 500mm	\$ 1,855
TR3/500WH	Electric Towel Rail - Hard Wired - White 1500mm x 500mm	\$ 1,485
TR3/500CP-NE	Non - Electric Towel Rail - Chrome 1500mm x 500mm	\$ 1,275
TR3/500MB-NE	Non - Electric Towel Rail - Matt Black - 1500mm x 500mm	\$ 1,275
TR3/500BN-NE	Non - Electric Towel Rail - Br. Nickel - 1500mm x 500mm	\$ 1,600
TR3/500WH-NE	Non - Electric Towel Rail - White - 1500mm x 500mm	\$ 1,275
TR3/600CP	Electric Towel Rail - Hard Wired - Chrome - 1500mm x 600mm	\$ 1,545
TR3/600MB	Electric Towel Rail - Hard Wired - Matt Black - 1500mm x 600mm	\$ 1,545
TR3/600BN	Electric Towel Rail - Hard Wired - Br. Nickel - 1500mm x 600mm	\$ 1,930
TR3/600WH	Electric Towel Rail - Hard Wired - White 1500mm x 600mm	\$ 1,545
TR3/600CP-NE	Non - Electric Towel Rail - Chrome 1500mm x 600mm	\$ 1,330
TR3/600MB-NE	Non - Electric Towel Rail - Matt Black - 1500mm x 600mm	\$ 1,330
TR3/600BN-NE	Non - Electric Towel Rail - Br. Nickel 1500mm x 600mm	\$ 1,665
TR3/600WH-NE	Non - Electric Towel Rail - White - 1500mm x 600mm	\$ 1,335
TR3/700CP	Electric Towel Rail - Hard Wired - Chrome 1500mm x 700mm	\$ 1,615
TR3/700MB	Electric Towel Rail - Hard Wired - Matt Black - 1500mm x 700mm	\$ 1,615
TR3/700BN	Electric Towel Rail - Hard Wired - Br. Nickel - 1500mm x 700mm	\$ 2,015
TR3/700WH	Electric Towel Rail - Hard Wired - White - 1500mm x 700mm	\$ 1,615
TR3/700CP-NE	Non - Electric Towel Rail - Chrome - 1500mm x 700mm	\$ 1,400
TR3/700MB-NE	Non - Electric Towel Rail - Matt Black - 1500mm x 700mm	\$ 1,400
TR3/700BN-NE	Non - Electric Towel Rail - Br Nickel - 1500mm x 700mm	\$ 1,745
TR3/700WH-NE	Non - Electric Towel Rail - White - 1500mm x 700mm	\$ 1,400
TR3/800CP	Electric Towel Rail - Hard Wired - Chrome - 1500mm x 800mm	\$ 1,675
TR3/800MB	Electric Towel Rail - Hard Wired - Matt Black - 1500mm x 800mm	\$ 1,675
TR3/800BN	Electric Towel Rail - Hard Wired - Br. Nickel - 1500mm x 800mm	\$ 2,090
TR3/800WH	Electric Towel Rail - Hard Wired - White - 1500mm x 800mm	\$ 1,675
TR3/800CP-NE	Non - Electric Towel Rail - Chrome - 1500mm x 800mm	\$ 1,460
TR3/800MB-NE	Non - Electric Towel Rail - Matt Black - 1500mm x 800mm	\$ 1,460
TR3/800BN-NE	Non - Electric Towel Rail - Br. Nickel - 1500mm x 800mm	\$ 1,820
TR3/800WH-NE	Non - Electric Towel Rail - White - 1500mm x 800mm	\$ 1,460

All pricing inclusive of GST

Estimated Lead Times:

-  Chrome - 1 Week
-  Matt Black - 2-3 Weeks
-  White - 2-3 Weeks
-  Brushed Nickel - 2-3 Weeks
-  Custom Finishes - Available On Application

PRICING H SERIES

H2

Model	Description	RRP (GST Incl.)
H2/400CP	Electric Towel Rail - Hard Wired - Chrome - 700mm x 400mm	\$ 1,225
H2/400MB	Electric Towel Rail - Hard Wired - Matt Black - 700mm x 400mm	\$ 1,225
H2/400BN	Electric Towel Rail - Hard Wired - Br. Nickel - 700mm x 400mm	\$ 1,530
H2/400WH	Electric Towel Rail - Hard Wired - White 700mm x 400mm	\$ 1,225
H2/400CP-NE	Non - Electric Towel Rail - Chrome 700mm x 400mm	\$ 1,020
H2/400MB-NE	Non - Electric Towel Rail - Matt Black - 700mm x 400mm	\$ 1,020
H2/400BN-NE	Non - Electric Towel Rail - Br. Nickel 700mm x 400mm	\$ 1,275
H2/400WH-NE	Non - Electric Towel Rail - White - 700mm x 400mm	\$ 1,020
H2/500CP	Electric Towel Rail - Hard Wired - Chrome - 700mm x 500mm	\$ 1,300
H2/500MB	Electric Towel Rail - Hard Wired - Matt Black - 700mm x 500mm	\$ 1,300
H2/500BN	Electric Towel Rail - Hard Wired - Br. Nickel - 700mm x 500mm	\$ 1,620
H2/500WH	Electric Towel Rail - Hard Wired - White 700mm x 500mm	\$ 1,300
H2/500CP-NE	Non - Electric Towel Rail - Chrome 700mm x 500mm	\$ 1,100
H2/500MB-NE	Non - Electric Towel Rail - Matt Black - 700mm x 500mm	\$ 1,100
H2/500BN-NE	Non - Electric Towel Rail - Br. Nickel 700mm x 500mm	\$ 1,375
H2/500WH-NE	Non - Electric Towel Rail - White - 700mm x 500mm	\$ 1,100
H2/600CP	Electric Towel Rail - Hard Wired - Chrome - 700mm x 600mm	\$ 1,375
H2/600MB	Electric Towel Rail - Hard Wired - Matt Black - 700mm x 600mm	\$ 1,375
H2/600BN	Electric Towel Rail - Hard Wired - Br. Nickel - 700mm x 600mm	\$ 1,715
H2/600WH	Electric Towel Rail - Hard Wired - White 700mm x 600mm	\$ 1,375
H2/600CP-NE	Non - Electric Towel Rail - Chrome 700mm x 600mm	\$ 1,170
H2/600MB-NE	Non - Electric Towel Rail - Matt Black - 700mm x 600mm	\$ 1,170
H2/600BN-NE	Non - Electric Towel Rail - Br. Nickel 700mm x 600mm	\$ 1,465
H2/600WH-NE	Non - Electric Towel Rail - White - 700mm x 600mm	\$ 1,170
H2/700CP	Electric Towel Rail - Hard Wired - Chrome 700mm x 700mm	\$ 1,445
H2/700MB	Electric Towel Rail - Hard Wired - Matt Black - 700mm x 700mm	\$ 1,445
H2/700BN	Electric Towel Rail - Hard Wired - Br. Nickel - 700mm x 700mm	\$ 1,800
H2/700WH	Electric Towel Rail - Hard Wired - White - 700mm x 700mm	\$ 1,445
H2/700CP-NE	Non - Electric Towel Rail - Chrome - 700mm x 700mm	\$ 1,240
H2/700MB-NE	Non - Electric Towel Rail - Matt Black - 700mm x 700mm	\$ 1,240
H2/700BN-NE	Non - Electric Towel Rail - Br Nickel 700mm x 700mm	\$ 1,550
H2/700WH-NE	Non - Electric Towel Rail - White - 700mm x 700mm	\$ 1,240
H2/800CP	Electric Towel Rail - Hard Wired - Chrome - 700mm x 800mm	\$ 1,510
H2/800MB	Electric Towel Rail - Hard Wired - Matt Black - 700mm x 800mm	\$ 1,510
H2/800BN	Electric Towel Rail - Hard Wired - Br. Nickel - 700mm x 800mm	\$ 1,885
H2/800WH	Electric Towel Rail - Hard Wired - White - 700mm x 800mm	\$ 1,510
H2/800CP-NE	Non - Electric Towel Rail - Chrome - 700mm x 800mm	\$ 1,310
H2/800MB-NE	Non - Electric Towel Rail - Matt Black - 700mm x 800mm	\$ 1,310
H2/800BN-NE	Non - Electric Towel Rail - Br. Nickel - 700mm x 800mm	\$ 1,635
H2/800WH-NE	Non - Electric Towel Rail - White - 700mm x 800mm	\$ 1,310

All pricing inclusive of GST

Estimated Lead Times:

-  Chrome - 1 Week
-  Matt Black - 2-3 Weeks
-  White - 2-3 Weeks
-  Brushed Nickel - 2-3 Weeks
-  Custom Finishes - Available On Application

H3

Model	Description	RRP (GST Incl.)
H3/400CP	Electric Towel Rail - Hard Wired - Chrome - 1100mm x 400mm	\$ 1,435
H3/400MB	Electric Towel Rail - Hard Wired - Matt Black - 1100mm x 400mm	\$ 1,435
H3/400BN	Electric Towel Rail - Hard Wired - Br. Nickel - 1100mm x 400mm	\$ 1,795
H3/400WH	Electric Towel Rail - Hard Wired - White - 1100mm x 400mm	\$ 1,435
H3/400CP-NE	Non - Electric Towel Rail - Chrome - 1020mm x 400mm	\$ 1,235
H3/400MB-NE	Non - Electric Towel Rail - Matt Black - 1100mm x 400mm	\$ 1,235
H3/400BN-NE	Non - Electric Towel Rail - Br. Nickel - 1100mm x 400mm	\$ 1,545
H3/400WH-NE	Non - Electric Towel Rail - White - 1100mm x 400mm	\$ 1,235
H3/500CP	Electric Towel Rail - Hard Wired - Chrome - 1100mm x 500mm	\$ 1,510
H3/500MB	Electric Towel Rail - Hard Wired - Matt Black - 1100mm x 500mm	\$ 1,510
H3/500BN	Electric Towel Rail - Hard Wired - Br. Nickel - 1100mm x 500mm	\$ 1,885
H3/500WH	Electric Towel Rail - Hard Wired - White - 1100mm x 500mm	\$ 1,510
H3/500CP-NE	Non - Electric Towel Rail - Chrome - 1100mm x 500mm	\$ 1,305
H3/500MB-NE	Non - Electric Towel Rail - Matt Black - 1100mm x 500mm	\$ 1,305
H3/500BN-NE	Non - Electric Towel Rail - Br. Nickel - 1100mm x 500mm	\$ 1,630
H3/500WH-NE	Non - Electric Towel Rail - White - 1100mm x 500mm	\$ 1,305
H3/600CP	Electric Towel Rail - Hard Wired - Chrome - 1100mm x 600mm	\$ 1,575
H3/600MB	Electric Towel Rail - Hard Wired - Matt Black - 1100mm x 600mm	\$ 1,575
H3/600BN	Electric Towel Rail - Hard Wired - Br. Nickel - 1100mm x 600mm	\$ 1,965
H3/600WH	Electric Towel Rail - Hard Wired - White - 1100mm x 600mm	\$ 1,575
H3/600CP-NE	Non - Electric Towel Rail - Chrome - 1100mm x 600mm	\$ 1,370
H3/600MB-NE	Non - Electric Towel Rail - Matt Black - 1100mm x 600mm	\$ 1,370
H3/600BN-NE	Non - Electric Towel Rail - Br. Nickel - 1100mm x 600mm	\$ 1,710
H3/600WH-NE	Non - Electric Towel Rail - White - 1100mm x 600mm	\$ 1,370
H3/700CP	Electric Towel Rail - Hard Wired - Chrome - 1100mm x 700mm	\$ 1,650
H3/700MB	Electric Towel Rail - Hard Wired - Matt Black - 1100mm x 700mm	\$ 1,650
H3/700BN	Electric Towel Rail - Hard Wired - Br. Nickel - 1100mm x 700mm	\$ 2,065
H3/700WH	Electric Towel Rail - Hard Wired - White - 1100mm x 700mm	\$ 1,655
H3/700CP-NE	Non - Electric Towel Rail - Chrome - 1100mm x 700mm	\$ 1,435
H3/700MB-NE	Non - Electric Towel Rail - Matt Black - 1100mm x 700mm	\$ 1,435
H3/700BN-NE	Non - Electric Towel Rail - Br. Nickel - 1100mm x 700mm	\$ 1,795
H3/700WH-NE	Non - Electric Towel Rail - White - 1100mm x 700mm	\$ 1,435
H3/800CP	Electric Towel Rail - Hard Wired - Chrome - 1100mm x 800mm	\$ 1,720
H3/800MB	Electric Towel Rail - Hard Wired - Matt Black - 1100mm x 800mm	\$ 1,720
H3/800BN	Electric Towel Rail - Hard Wired - Br. Nickel - 1100mm x 800mm	\$ 2,150
H3/800WH	Electric Towel Rail - Hard Wired - White - 1100mm x 800mm	\$ 1,720
H3/800CP-NE	Non - Electric Towel Rail - Chrome - 1100mm x 800mm	\$ 1,505
H3/800MB-NE	Non - Electric Towel Rail - Matt Black - 1100mm x 800mm	\$ 1,505
H3/800BN-NE	Non - Electric Towel Rail - Br. Nickel - 1100mm x 800mm	\$ 1,880
H3/800WH-NE	Non - Electric Towel Rail - White - 1100mm x 800mm	\$ 1,505

All pricing inclusive of GST

Estimated Lead Times:

-  Chrome - 1 Week
-  Matt Black - 2-3 Weeks
-  White - 2-3 Weeks
-  Brushed Nickel - 2-3 Weeks
-  Custom Finishes - Available On Application

H4

Model	Description	RRP (GST Incl.)
H4/400CP	Electric Towel Rail - Hard Wired - Chrome - 1500mm x 400mm	\$ 1,660
H4/400MB	Electric Towel Rail - Hard Wired - Matt Black -1500mm x 400mm	\$ 1,660
H4/400BN	Electric Towel Rail - Hard Wired - Br. Nickel - 1500mm x 400mm	\$ 2,075
H4/400WH	Electric Towel Rail - Hard Wired - White 1500mm x 400mm	\$ 1,660
H4/400CP-NE	Non - Electric Towel Rail - Chrome - 1500mm x 400mm	\$ 1,450
H4/400MB-NE	Non - Electric Towel Rail - Matt Black - 1500mm x 400mm	\$ 1,450
H4/400BN-NE	Non - Electric Towel Rail - Br. Nickel - 1500mm x 400mm	\$ 1,810
H4/400WH-NE	Non - Electric Towel Rail - White - 1500mm x 400mm	\$ 1,450
H4/500CP	Electric Towel Rail - Hard Wired - Chrome - 1500mm x 500mm	\$ 1,735
H4/500MB	Electric Towel Rail - Hard Wired - Matt Black - 1500mm x 500mm	\$ 1,735
H4/500BN	Electric Towel Rail - Hard Wired - Br. Nickel - 1500mm x 500mm	\$ 2,170
H4/500WH	Electric Towel Rail - Hard Wired - White 1500mm x 500mm	\$ 1,735
H4/500CP-NE	Non - Electric Towel Rail - Chrome 1500mm x 500mm	\$ 1,515
H4/500MB-NE	Non - Electric Towel Rail - Matt Black - 1500mm x 500mm	\$ 1,515
H4/500BN-NE	Non - Electric Towel Rail - Br. Nickel 1500mm x 500mm	\$ 1,895
H4/500WH-NE	Non - Electric Towel Rail - White - 1500mm x 500mm	\$ 1,515
H4/600CP	Electric Towel Rail - Hard Wired - Chrome - 1500mm x 600mm	\$ 1,805
H4/600MB	Electric Towel Rail - Hard Wired - Matt Black - 1500mm x 600mm	\$ 1,805
H4/600BN	Electric Towel Rail - Hard Wired - Br. Nickel - 1500mm x 600mm	\$ 2,255
H4/600WH	Electric Towel Rail - Hard Wired - White 1500mm x 600mm	\$ 1,805
H4/600CP-NE	Non - Electric Towel Rail - Chrome - 1500mm x 600mm	\$ 1,445
H4/600MB-NE	Non - Electric Towel Rail - Matt Black - 1500mm x 600mm	\$ 1,445
H4/600BN-NE	Non - Electric Towel Rail - Br. Nickel - 1500mm x 600mm	\$ 1,805
H4/600WH-NE	Non - Electric Towel Rail - White - 1500mm x 600mm	\$ 1,445
H4/700CP	Electric Towel Rail - Hard Wired - Chrome - 1500mm x 700mm	\$ 1,875
H4/700MB	Electric Towel Rail - Hard Wired - Matt Black - 1500mm x 700mm	\$ 1,875
H4/700BN	Electric Towel Rail - Hard Wired - Br. Nickel - 1500mm x 700mm	\$ 2,340
H4/700WH	Electric Towel Rail - Hard Wired - White - 1500mm x 700mm	\$ 1,875
H4/700CP-NE	Non - Electric Towel Rail - Chrome - 1500mm x 700mm	\$ 1,650
H4/700MB-NE	Non - Electric Towel Rail - Matt Black - 1500mm x 700mm	\$ 1,650
H4/700BN-NE	Non - Electric Towel Rail - Br Nickel - 1500mm x 700mm	\$ 2,065
H4/700WH-NE	Non - Electric Towel Rail - White - 1500mm x 700mm	\$ 1,650
H4/800CP	Electric Towel Rail - Hard Wired - Chrome - 1500mm x 800mm	\$ 1,945
H4/800MB	Electric Towel Rail - Hard Wired - Matt Black - 1500mm x 800mm	\$ 1,945
H4/800BN	Electric Towel Rail - Hard Wired - Br. Nickel - 1500mm x 800mm	\$ 2,425
H4/800WH	Electric Towel Rail - Hard Wired - White - 1500mm x 800mm	\$ 1,945
H4/800CP-NE	Non - Electric Towel Rail - Chrome - 1500mm x 800mm	\$ 1,720
H4/800MB-NE	Non - Electric Towel Rail - Matt Black - 1500mm x 800mm	\$ 1,720
H4/800BN-NE	Non - Electric Towel Rail - Br. Nickel - 1500mm x 800mm	\$ 2,150
H4/800WH-NE	Non - Electric Towel Rail - White - 1500mm x 800mm	\$ 1,720

All pricing inclusive of GST

Estimated Lead Times:

-  Chrome - 1 Week
-  Matt Black - 2-3 Weeks
-  White - 2-3 Weeks
-  Brushed Nickel - 2-3 Weeks
-  Custom Finishes - Available On Application





PRICING FC SERIES

FC Models

Model	Description	RRP (GST Incl.)
FC500-FLOOR-CP	Elect-Floor to Ceiling Towel Rail - Floor Connection - Chrome 500 W	\$ 2,405
FC500-FLOOR-MB	Elect-Floor to Ceiling Towel Rail - Floor Connection - Matt Black - 500 W	\$ 2,405
FC500-FLOOR-BN	Elect-Floor to Ceiling Towel Rail - Floor Connection - Br. Nickel - 500 W	\$ 3,005
FC500-FLOOR-WH	Elect-Floor to Ceiling Towel Rail - Floor Connection-White - 500 W	\$ 2,405
FC500-CP-NE	Non Elect-Floor to Ceiling Towel Rail - Chrome 500 W	\$ 2,270
FC500-MB-NE	Non Elect-Floor to Ceiling Towel Rail - Matt Black - 500 W	\$ 2,270
FC500-BN-NE	Non Elect-Floor to Ceiling Towel Rail - Brushed Nickel - 500 W	\$ 2,840
FC500-WH-NE	Non Elect-Floor to Ceiling Towel Rail - Chrome - 500 W	\$ 2,270
FC500-CEILING-CP	Elect-Floor to Ceiling Towel Rail - Ceiling Connection - Chrome 500 W	\$ 2,565
FC500-CEILING-MB	Elect-Floor to Ceiling Towel Rail - Ceiling Connection - Matt Black - 500 W	\$ 2,565
FC500-CEILING-BN	Elect-Floor to Ceiling Towel Rail - Ceiling Connection - Br. Nickel - 500 W	\$ 3,210
FC500-CEILING-WH	Elect-Floor to Ceiling Towel Rail - Ceiling Connection-White - 500 W	\$ 2,565
FC600-FLOOR-CP	Elect-Floor to Ceiling Towel Rail - Floor Connection - Chrome 600 W	\$ 2,515
FC600-FLOOR-MB	Elect-Floor to Ceiling Towel Rail - Floor Connection - Matt Black - 600 W	\$ 2,515
FC600-FLOOR-BN	Elect-Floor to Ceiling Towel Rail - Floor Connection - Br. Nickel - 600 W	\$ 3,140
FC600-FLOOR-WH	Elect-Floor to Ceiling Towel Rail - Floor Connection-White - 600 W	\$ 2,515
FC600-CP-NE	Non Elect-Floor to Ceiling Towel Rail - Chrome 600 W	\$ 2,380
FC600-MB-NE	Non Elect-Floor to Ceiling Towel Rail - Matt Black - 600 W	\$ 2,380
FC600-BN-NE	Non Elect-Floor to Ceiling Towel Rail - Brushed Nickel - 600 W	\$ 2,975
FC600-WH-NE	Non Elect-Floor to Ceiling Towel Rail - Chrome - 600 W	\$ 2,380
FC600-CEILING-CP	Elect-Floor to Ceiling Towel Rail - Ceiling Connection - Chrome 600 W	\$ 2,675
FC600-CEILING-MB	Elect-Floor to Ceiling Towel Rail - Ceiling Connection - Matt Black - 600 W	\$ 2,675
FC600-CEILING-BN	Elect-Floor to Ceiling Towel Rail - Ceiling Connection - Br. Nickel - 600 W	\$ 3,345
FC600-CEILING-WH	Elect-Floor to Ceiling Towel Rail - Ceiling Connection-White - 600 W	\$ 2,675
FC700-FLOOR-CP	Elect-Floor to Ceiling Towel Rail - Floor Connection - Chrome 700 W	\$ 2,620
FC700-FLOOR-MB	Elect-Floor to Ceiling Towel Rail - Floor Connection - Matt Black - 700 W	\$ 2,620
FC700-FLOOR-BN	Elect-Floor to Ceiling Towel Rail - Floor Connection - Br. Nickel - 700 W	\$ 3,270
FC700-FLOOR-WH	Elect-Floor to Ceiling Towel Rail - Floor Connection-White - 700 W	\$ 2,620
FC700-CP-NE	Non Elect-Floor to Ceiling Towel Rail - Chrome 700 W	\$ 2,485
FC700-MB-NE	Non Elect-Floor to Ceiling Towel Rail - Matt Black - 700 W	\$ 2,485
FC700-BN-NE	Non Elect-Floor to Ceiling Towel Rail - Brushed Nickel - 700 W	\$ 3,105
FC700-WH-NE	Non Elect-Floor to Ceiling Towel Rail - White - 700 W	\$ 2,485
FC700CEILING-CP	Elect-Floor to Ceiling Towel Rail - Ceiling Connection - Chrome 600 W	\$ 2,780
FC700CEILING-MB	Elect-Floor to Ceiling Towel Rail - Ceiling Connection - Matt Black - 700 W	\$ 2,780
FC700CEILING-BN	Elect-Floor to Ceiling Towel Rail - Ceiling Connection - Br. Nickel - 700 W	\$ 2,475
FC700CEILING-WH	Elect-Floor to Ceiling Towel Rail - Ceiling Connection-White - 700 W	\$ 2,780

All pricing inclusive of GST

Estimated Lead Times:

-  Chrome - 3 Week
-  Matt Black - 3 Weeks
-  White - 3 Weeks
-  Brushed Nickel - 3 Weeks

PRICING B SERIES

B Model

Model	Description	RRP (GST Incl.)
B-SERIES500-CP	Elect. Towel Rail - Hard Wired - 1000mm x 500mm - Chrome	\$ 1,740
B-SERIES500-MB	Elect. Towel Rail - Hard Wired - 1000mm x 500mm - Matt Black	\$ 1,740
B-SERIES500-BN	Elect. Towel Rail - Hard Wired - 1000mm x 500mm - Br. Nickel	\$ 2,175
B-SERIES500-WH	Elect. Towel Rail - Hard Wired - 1000mm x 500mm - White	\$ 1,740
B-SERIES500-CP-NE	Non - Elect. Towel Rail - Hard Wired - 1000mm x 500mm - Chrome	\$ 1,580
B-SERIES500-MB-NE	Non - Elect. Towel Rail - Hard Wired - 1000mm x 500mm - Matt Black	\$ 1,580
B-SERIES500-BN-NE	Non - Elect. Towel Rail - Hard Wired - 1000mm x 500mm - Br. Nickel	\$ 1,980
B-SERIES500-WH-NE	Non - Elect. Towel Rail - Hard Wired - 1000mm x 500mm - White	\$ 1,580
B-SERIES600-CP	Elect. Towel Rail - Hard Wired - 1000mm x 600mm - Chrome	\$ 1,795
B-SERIES600-MB	Elect. Towel Rail - Hard Wired - 1000mm x 600mm - Matt Black	\$ 1,795
B-SERIES600-BN	Elect. Towel Rail - Hard Wired - 1000mm x 600mm - Br. Nickel	\$ 2,245
B-SERIES600-WH	Elect. Towel Rail - Hard Wired - 1000mm x 600mm - White	\$ 1,795
B-SERIES600-CP-NE	Non - Elect. Towel Rail - Hard Wired - 1000mm x 600mm - Chrome	\$ 1,635
B-SERIES600-MB-NE	Non - Elect. Towel Rail - Hard Wired - 1000mm x 600mm - Matt Black	\$ 1,635
B-SERIES600-BN-NE	Non - Elect. Towel Rail - Hard Wired - 1000mm x 600mm - Br. Nickel	\$ 2,040
B-SERIES600-WH-NE	Non - Elect. Towel Rail - Hard Wired - 1000mm x 600mm - White	\$ 1,635
B-SERIES700-CP	Elect. Towel Rail - Hard Wired - 1000mm x 700mm - Chrome	\$ 1,850
B-SERIES700-MB	Elect. Towel Rail - Hard Wired - 1000mm x 700mm - Matt Black	\$ 1,850
B-SERIES700-BN	Elect. Towel Rail - Hard Wired - 1000mm x 700mm - Br. Nickel	\$ 2,310
B-SERIES700-WH	Elect. Towel Rail - Hard Wired - 1000mm x 700mm - White	\$ 1,850
B-SERIES700-CP-NE	Non - Elect. Towel Rail - Hard Wired - 1000mm x 700mm - Chrome	\$ 1,690
B-SERIES700-MB-NE	Non - Elect. Towel Rail - Hard Wired - 1000mm x 700mm - Matt Black	\$ 1,690
B-SERIES700-BN-NE	Non - Elect. Towel Rail - Hard Wired - 1000mm x 700mm - Br. Nickel	\$ 2,110
B-SERIES700-WH-NE	Non - Elect. Towel Rail - Hard Wired - 1000mm x 700mm - White	\$ 1,690
B-SERIES800-CP	Elect. Towel Rail - Hard Wired - 1000mm x 800mm - Chrome	\$ 1,910
B-SERIES800-MB	Elect. Towel Rail - Hard Wired - 1000mm x 800mm - Matt Black	\$ 1,910
B-SERIES800-BN	Elect. Towel Rail - Hard Wired - 1000mm x 800mm - Br. Nickel	\$ 2,385
B-SERIES800-WH	Elect. Towel Rail - Hard Wired - 1000mm x 800mm - White	\$ 1,910
B-SERIES800-CP-NE	Non - Elect. Towel Rail - Hard Wired - 1000mm x 800mm - Chrome	\$ 1,745
B-SERIES800-MB-NE	Non - Elect. Towel Rail - Hard Wired - 1000mm x 800mm - Matt Black	\$ 1,745
B-SERIES800-BN-NE	Non - Elect. Towel Rail - Hard Wired - 1000mm x 800mm - Br. Nickel	\$ 2,185
B-SERIES800-WH-NE	Non - Elect. Towel Rail - Hard Wired - 1000mm x 800mm - White	\$ 1,745

All pricing inclusive of GST

Estimated Lead Times:

-  Chrome - 4 Week
-  Matt Black - 4 Weeks
-  White - 4 Weeks
-  Brushed Nickel - 4 Weeks
-  Custom Finishes - Available On Application





PRICING BFS SERIES

B Free Standing Model

Model	Description	RRP (GST Incl.)
B-FS500-CP	Elect. Floor & Wall Mount - Floor Cable - 1000mm x 500mm - Chrome	\$ 1,740
B-FS500-MB	Elect. Floor & Wall Mount - Floor Cable - 1000mm x 500mm - Matt Black	\$ 1,740
B-FS500-BN	Elect. Floor & Wall Mount - Floor Cable - 1000mm x 500mm - Br. Nickel	\$ 2,175
B-FS500-WH	Elect. Floor & Wall Mount - Floor Cable - 1000mm x 500mm - White	\$ 1,740
BF-S500CP-NE	Non Elect. Floor & Wall Mount - 1000mm x 500mm - Chrome	\$ 1,580
B-FS500MB-NE	Non Elect. Floor & Wall Mount - 1000mm x 500mm - Matt Black	\$ 1,580
B-FS500-BN-NE	Non Elect. Floor & Wall Mount - 1000mm x 500mm - Br. Nickel	\$ 1,980
B-FS500-WH-NE	Non Elect. Floor & Wall Mount - 1000mm x 500mm - White	\$ 1,580
B-FS600-CP	Elect. Floor & Wall Mount - Floor Cable - 1000mm x 600mm - Chrome	\$ 1,795
B-FS600-MB	Elect. Floor & Wall Mount - Floor Cable - 1000mm x 600mm - Matt Black	\$ 1,795
BF-S600-BN	Elect. Floor & Wall Mount - Floor Cable - 1000mm x 600mm - Br. Nickel	\$ 2,245
B-FS600-WH	Elect. Floor & Wall Mount - Floor Cable - 1000mm x 600mm - White	\$ 1,795
B-FS600-CP-NE	Non Elect. Floor & Wall Mount - 1000mm x 600mm - Chrome	\$ 1,635
B-FS600-MB-NE	Non Elect. Floor & Wall Mount - 1000mm x 600mm - Matt Black	\$ 1,635
B-FS600-BN-NE	Non Elect. Floor & Wall Mount - 1000mm x 600mm - Br. Nickel	\$ 2,040
B-FS600-WH-NE	Non Elect. Floor & Wall Mount - 1000mm x 600mm - White	\$ 1,635
B-FS700-CP	Elect. Floor & Wall Mount - Floor Cable - 1000mm x 700mm - Chrome	\$ 1,850
B-FS700-MB	Elect. Floor & Wall Mount - Floor Cable - 1000mm x 700mm - Matt Black	\$ 1,850
B-FS700-BN	Elect. Floor & Wall Mount - Floor Cable - 1000mm x 700mm - Br. Nickel	\$ 2,310
B-FS700-WH	Elect. Floor & Wall Mount - Floor Cable - 1000mm x 700mm - White	\$ 1,850
B-FS700-CP-NE	Non Elect. Floor & Wall Mount - 1000mm x 700mm - Chrome	\$ 1,690
B-FS700-MB-NE	Non Elect. Floor & Wall Mount - 1000mm x 700mm - Matt Black	\$ 1,690
B-FS700-BN-NE	Non Elect. Floor & Wall Mount - 1000mm x 700mm - Br. Nickel	\$ 2,110
B-FS700-WH-NE	Non Elect. Floor & Wall Mount - 1000mm x 700mm - White	\$ 1,690
B-FS800-CP	Elect. Floor & Wall Mount - Floor Cable - 1000mm x 800mm - Chrome	\$ 1,910
B-FS800-MB	Elect. Floor & Wall Mount - Floor Cable - 1000mm x 800mm - Matt Black	\$ 1,910
B-FS800-BN	Elect. Floor & Wall Mount - Floor Cable - 1000mm x 800mm - Br. Nickel	\$ 1,385
B-FS800-WH	Elect. Floor & Wall Mount - Floor Cable - 1000mm x 800mm - White	\$ 1,910
B-FS800-CP-NE	Non Elect. Floor & Wall Mount - 1000mm x 800mm - Chrome	\$ 1,745
B-FS800-MB-NE	Non Elect. Floor & Wall Mount - 1000mm x 800mm - Matt Black	\$ 1,745
B-FS800-BN-NE	Non Elect. Floor & Wall Mount - 1000mm x 800mm - Br. Nickel	\$ 2,185
B-FS800-WH-NE	Non Elect. Floor & Wall Mount - 1000mm x 800mm - White	\$ 1,745

All pricing inclusive of GST

Estimated Lead Times:

-  Chrome - 4 Week
-  Matt Black - 4 Weeks
-  White - 4 Weeks
-  Brushed Nickel - 4 Weeks
-  Custom Finishes - Available On Application





PRICING HSW SERIES

HSW Models

Model	Description	RRP (GST Incl.)
HSW3-CP	Elect- Swivel 3 Section - Hard Wired - Chrome - 750mm x 400mm	\$ 1,175
HSW3-MB	Elect- Swivel 3 Section - Hard Wired - Matt Black - 750mm x 400mm	\$ 1,175
HSW3-BN	Elect- Swivel 3 Section - Hard Wired - Br. Nickel - 750mm x 400mm	\$ 1,470
HSW3-WH	Elect- Swivel 3 Section - Hard Wired - White - 750mm x 400mm	\$ 1,175
HSW3-CP-NE	Non - Elect- Swivel 3 Section - Hard Wired - Chrome - 750mm x 400mm	\$ 1,045
HSW3-MB-NE	Non - Elect- Swivel 3 Section - Hard Wired - Matt Black - 750mm x 400mm	\$ 1,045
HSW3-BN-NE	Non - Elect- Swivel 3 Section - Hard Wired - Br. Nickel - 750mm x 400mm	\$ 1,305
HSW3-WH-NE	Non - Elect- Swivel 3 Section - Hard Wired - White - 750mm x 400mm	\$ 1,045
HSW4-CP	Elect- Swivel 4 Section - Hard Wired - Chrome - 960mm x 400mm	\$ 1,280
HSW4-MB	Elect- Swivel 4 Section - Hard Wired - Matt Black - 960mm x 400mm	\$ 1,280
HSW4-BN	Elect- Swivel 4 Section - Hard Wired - Br. Nickel - 960mm x 400mm	\$ 1,605
HSW4-WH	Elect- Swivel 4 Section - Hard Wired - White - 960mm x 400mm	\$ 1,280
HSW4-CP-NE	Non - Elect- Swivel 4 Section - Hard Wired - Chrome - 960mm x 400mm	\$ 1,150
HSW4-MB-NE	Non - Elect- Swivel 4 Section - Hard Wired - Matt Black - 960mm x 400mm	\$ 1,150
HSW4-BN-NE	Non - Elect- Swivel 4 Section - Hard Wired - Br. Nickel - 960mm x 400mm	\$ 1,435
HSW4-WH-NE	Non - Elect- Swivel 4 Section - Hard Wired - White - 960mm x 400mm	\$ 1,150
HSW5-CP	Elect- Swivel 5 Section - Hard Wired - Chrome - 1170mm x 400mm	\$ 1,390
HSW5-MB	Elect- Swivel 5 Section - Hard Wired - Matt Black - 1170mm x 400mm	\$ 1,390
HSW5-BN	Elect- Swivel 5 Section - Hard Wired - Br. Nickel - 1170mm x 400mm	\$ 1,735
HSW5-WH	Elect- Swivel 5 Section - Hard Wired - White - 1170mm x 400mm	\$ 1,390
HSW5-CP-NE	Non - Elect- Swivel 5 Section - Hard Wired - Chrome - 1170mm x 400mm	\$ 1,255
HSW5-MB-NE	Non - Elect- Swivel 5 Section - Hard Wired - Matt Black - 1170mm x 400mm	\$ 1,255
HSW5-BN-NE	Non - Elect- Swivel 5 Section - Hard Wired - Br. Nickel - 1170mm x 400mm	\$ 1,570
HSW5-WH-NE	Non - Elect- Swivel 5 Section - Hard Wired - White - 1170mm x 400mm	\$ 1,255

All pricing inclusive of GST

Estimated Lead Times:

-  Chrome - 1 Week
-  Matt Black - 2-3 Weeks
-  White - 2-3 Weeks
-  Brushed Nickel - 2-3 Weeks





PRICING HW SERIES

HW2

Model	Description	RRP (GST Incl.)
HW2/400CP	Hydronic Towel Rail - 820mm x 400mm - Chrome	\$ 1,040
HW2/400MB	Hydronic Towel Rail - 820mm x 400mm - Matt Black	\$ 1,040
HW2/400BN	Hydronic Towel Rail - 820mm x 400mm - Br. Nickel	\$ 1,305
HW2/400WH	Hydronic Towel Rail - 820mm x 400mm - White	\$ 1,040
HW2/500CP	Hydronic Towel Rail - 820mm x 500mm - Chrome	\$ 1,065
HW2/500MB	Hydronic Towel Rail - 820mm x 500mm - Matt Black	\$ 1,065
HW2/500BN	Hydronic Towel Rail - 820mm x 500mm - Br. Nickel	\$ 1,325
HW2/500WH	Hydronic Towel Rail - 820mm x 500mm - White	\$ 1,065
HW2/600CP	Hydronic Towel Rail - 820mm x 600mm - Chrome	\$ 1,080
HW2/600MB	Hydronic Towel Rail - 820mm x 600mm - Matt Black	\$ 1,080
HW2/600BN	Hydronic Towel Rail - 820mm x 600mm - Br. Nickel	\$ 1,345
HW2/600WH	Hydronic Towel Rail - 820mm x 600mm - White	\$ 1,080
HW2/700CP	Hydronic Towel Rail - 820mm x 700mm - Chrome	\$ 1,100
HW2/700MB	Hydronic Towel Rail - 820mm x 700mm - Matt Black	\$ 1,100
HW2/700BN	Hydronic Towel Rail - 820mm x 700mm - Br. Nickel	\$ 1,375
HW2/700WH	Hydronic Towel Rail - 820mm x 700mm - White	\$ 1,100
HW2/800CP	Hydronic Towel Rail - 820mm x 800mm - Chrome	\$ 1,115
HW2/800MB	Hydronic Towel Rail - 820mm x 800mm - Matt Black	\$ 1,115
HW2/800BN	Hydronic Towel Rail - 820mm x 800mm - Br. Nickel	\$ 1,395
HW2/800WH	Hydronic Towel Rail - 820mm x 800mm - White	\$ 1,115
HW2/900CP	Hydronic Towel Rail - 820mm x 900mm - Chrome	\$ 1,140
HW2/900MB	Hydronic Towel Rail - 820mm x 900mm - Matt Black	\$ 1,140
HW2/900BN	Hydronic Towel Rail - 820mm x 900mm - Br. Nickel	\$ 1,420
HW2/900WH	Hydronic Towel Rail - 820mm x 900mm - White	\$ 1,140

All pricing inclusive of GST

Estimated Lead Times:

-  Chrome - 3 Week
-  Matt Black - 3 Weeks
-  White - 3 Weeks
-  Brushed Nickel - 3 Weeks





HW3

Model	Description	RRP (GST Incl.)
HW3/400CP	Hydronic Towel Rail - 1270mm x 400mm - Chrome	\$ 1,265
HW3/400MB	Hydronic Towel Rail - 1270mm x 400mm - Matt Black	\$ 1,265
HW3/400BN	Hydronic Towel Rail - 1270mm x 400mm - Br. Nickel	\$ 1,580
HW3/400WH	Hydronic Towel Rail - 1270mm x 400mm - White	\$ 1,265
HW3/500CP	Hydronic Towel Rail - 1270mm x 500mm - Chrome	\$ 1,285
HW3/500MB	Hydronic Towel Rail - 1270mm x 500mm - Matt Black	\$ 1,285
HW3/500BN	Hydronic Towel Rail - 1270mm x 500mm - Br. Nickel	\$ 1,610
HW3/500WH	Hydronic Towel Rail - 1270mm x 500mm - White	\$ 1,285
HW3/600CP	Hydronic Towel Rail - 1270mm x 600mm - Chrome	\$ 1,315
HW3/600MB	Hydronic Towel Rail - 1270mm x 600mm - Matt Black	\$ 1,315
HW3/600BN	Hydronic Towel Rail - 1270mm x 600mm - Br. Nickel	\$ 1,640
HW3/600WH	Hydronic Towel Rail - 1270mm x 600mm - White	\$ 1,315
HW3/700CP	Hydronic Towel Rail - 1270mm x 700mm - Chrome	\$ 1,340
HW3/700MB	Hydronic Towel Rail - 1270mm x 700mm - Matt Black	\$ 1,340
HW3/700BN	Hydronic Towel Rail - 1270mm x 700mm - Br. Nickel	\$ 1,680
HW3/700WH	Hydronic Towel Rail - 1270mm x 700mm - White	\$ 1,340
HW3/800CP	Hydronic Towel Rail - 1270mm x 800mm - Chrome	\$ 1,360
HW3/800MB	Hydronic Towel Rail - 1270mm x 800mm - Matt Black	\$ 1,360
HW3/800BN	Hydronic Towel Rail - 1270mm x 800mm - Br. Nickel	\$ 1,770
HW3/800WH	Hydronic Towel Rail - 1270mm x 800mm - White	\$ 1,365
HW3/900CP	Hydronic Towel Rail - 1270mm x 900mm - Chrome	\$ 1,390
HW3/900MB	Hydronic Towel Rail - 1270mm x 900mm - Matt Black	\$ 1,390
HW3/800BN	Hydronic Towel Rail - 1270mm x 900mm - Br. Nickel	\$ 1,735
HW3/900WH	Hydronic Towel Rail - 1270mm x 900mm - White	\$ 1,390

HW4

Model	Description	RRP (GST Incl.)
HW4/400CP	Hydronic Towel Rail - 1720mm x 400mm - Chrome	\$ 1,485
HW4/400MB	Hydronic Towel Rail - 1720mm x 400mm - Matt Black	\$ 1,485
HW4/400BN	Hydronic Towel Rail - 1720mm x 400mm - Br. Nickel	\$ 1,855
HW4/400WH	Hydronic Towel Rail - 1720mm x 400mm - White	\$ 1,485
HW4/500CP	Hydronic Towel Rail - 1720mm x 500mm - Chrome	\$ 1,515
HW4/500MB	Hydronic Towel Rail - 1720mm x 500mm - Matt Black	\$ 1,515
HW4/500BN	Hydronic Towel Rail - 1720mm x 500mm - Br. Nickel	\$ 1,895
HW4/500WH	Hydronic Towel Rail - 1720mm x 500mm - White	\$ 1,515
HW4/600CP	Hydronic Towel Rail - 1720mm x 600mm - Chrome	\$ 1,550
HW4/600MB	Hydronic Towel Rail - 1720mm x 600mm - Matt Black	\$ 1,550
HW4/600BN	Hydronic Towel Rail - 1720mm x 600mm - Br. Nickel	\$ 1,935
HW4/600WH	Hydronic Towel Rail - 1720mm x 600mm - White	\$ 1,550
HW4/700CP	Hydronic Towel Rail - 1720mm x 700mm - Chrome	\$ 1,580
HW4/700MB	Hydronic Towel Rail - 1720mm x 700mm - Matt Black	\$ 1,580
HW4/700BN	Hydronic Towel Rail - 1720mm x 700mm - Br. Nickel	\$ 1,980
HW4/700WH	Hydronic Towel Rail - 1720mm x 700mm - White	\$ 1,580
HW4/800CP	Hydronic Towel Rail - 1720mm x 800mm - Chrome	\$ 1,615
HW4/800MB	Hydronic Towel Rail - 1720mm x 800mm - Matt Black	\$ 1,615
HW4/800BN	Hydronic Towel Rail - 1720mm x 800mm - Br. Nickel	\$ 2,015
HW4/800WH	Hydronic Towel Rail - 1720mm x 800mm - White	\$ 1,615
HW4/900CP	Hydronic Towel Rail - 1720mm x 900mm - Chrome	\$ 1,645
HW4/900MB	Hydronic Towel Rail - 1720mm x 900mm - Matt Black	\$ 1,645
HW4/900BN	Hydronic Towel Rail - 1720mm x 900mm - Br. Nickel	\$ 2,060
HW4/900WH	Hydronic Towel Rail - 1720mm x 900mm - White	\$ 1,645

Estimated Lead Times:

-  Chrome - 3 Week
-  Matt Black - 3 Weeks
-  White - 3 Weeks
-  Brushed Nickel - 3 Weeks

All pricing inclusive of GST




PRICING HR SERIES

HR1

Model	Description	RRP (GST Incl.)
HR1/400CP	Hydronic Towel Rail - 820mm x 400mm - Chrome	\$ 1,010
HR1/400MB	Hydronic Towel Rail - 820mm x 400mm - Matt Black	\$ 1,010
HR1/400BN	Hydronic Towel Rail - 820mm x 400mm - Br. Nickel	\$ 1,260
HR1/400WH	Hydronic Towel Rail - 820mm x 400mm - White	\$ 1,010
HR1/500CP	Hydronic Towel Rail - 820mm x 500mm - Chrome	\$ 1,030
HR1/500MB	Hydronic Towel Rail - 820mm x 500mm - Matt Black	\$ 1,030
HR1/500BN	Hydronic Towel Rail - 820mm x 500mm - Br. Nickel	\$ 1,285
HR1/500WH	Hydronic Towel Rail - 820mm x 500mm - White	\$ 1,030
HR1/600CP	Hydronic Towel Rail - 820mm x 600mm - Chrome	\$ 1,050
HR1/600MB	Hydronic Towel Rail - 820mm x 600mm - Matt Black	\$ 1,050
HR1/600BN	Hydronic Towel Rail - 820mm x 600mm - Br. Nickel	\$ 1,315
HR1/600WH	Hydronic Towel Rail - 820mm x 600mm - White	\$ 1,055
HR1/700CP	Hydronic Towel Rail - 820mm x 700mm - Chrome	\$ 1,075
HR1/700MB	Hydronic Towel Rail - 820mm x 700mm - Matt Black	\$ 1,075
HR1/700BN	Hydronic Towel Rail - 820mm x 700mm - Br. Nickel	\$ 1,340
HR1/700WH	Hydronic Towel Rail - 820mm x 700mm - White	\$ 1,075
HR1/800CP	Hydronic Towel Rail - 820mm x 800mm - Chrome	\$ 1,095
HR1/800MB	Hydronic Towel Rail - 820mm x 800mm - Matt Black	\$ 1,095
HR1/800BN	Hydronic Towel Rail - 820mm x 800mm - Br. Nickel	\$ 1,370
HR1/800WH	Hydronic Towel Rail - 820mm x 800mm - White	\$ 1,095
HR1/900CP	Hydronic Towel Rail - 820mm x 900mm - Chrome	\$ 1,115
HR1/900MB	Hydronic Towel Rail - 820mm x 900mm - Matt Black	\$ 1,115
HR1/900BN	Hydronic Towel Rail - 820mm x 900mm - Br. Nickel	\$ 1,395
HR1/900WH	Hydronic Towel Rail - 820mm x 900mm - White	\$ 1,115

All pricing inclusive of GST

Estimated Lead Times:

-  Chrome - 3 Week
-  Matt Black - 3 Weeks
-  White - 3 Weeks
-  Brushed Nickel - 3 Weeks





HR2

Model	Description	RRP (GST Incl.)
HR2/400CP	Hydronic Towel Rail - 1270mm x 400mm - Chrome	\$ 1,180
HR2/400MB	Hydronic Towel Rail - 1270mm x 400mm - Matt Black	\$ 1,180
HR2/400BN	Hydronic Towel Rail - 1270mm x 400mm - Br. Nickel	\$ 1,475
HR2/400WH	Hydronic Towel Rail - 1270mm x 400mm - White	\$ 1,180
HR2/500CP	Hydronic Towel Rail - 1270mm x 500mm - Chrome	\$ 1,200
HR2/500MB	Hydronic Towel Rail - 1270mm x 500mm - Matt Black	\$ 1,200
HR2/500BN	Hydronic Towel Rail - 1270mm x 500mm - Br. Nickel	\$ 1,500
HR2/500WH	Hydronic Towel Rail - 1270mm x 500mm - White	\$ 1,200
HR2/600CP	Hydronic Towel Rail - 1270mm x 600mm - Chrome	\$ 1,230
HR2/600MB	Hydronic Towel Rail - 1270mm x 600mm - Matt Black	\$ 1,230
HR2/600BN	Hydronic Towel Rail - 1270mm x 600mm - Br. Nickel	\$ 1,535
HR2/600WH	Hydronic Towel Rail - 1270mm x 600mm - White	\$ 1,230
HR2/700CP	Hydronic Towel Rail - 1270mm x 700mm - Chrome	\$ 1,250
HR2/700MB	Hydronic Towel Rail - 1270mm x 700mm - Matt Black	\$ 1,250
HR2/700BN	Hydronic Towel Rail - 1270mm x 700mm - Br. Nickel	\$ 1,560
HR2/700WH	Hydronic Towel Rail - 1270mm x 700mm - White	\$ 2,150
HR2/800CP	Hydronic Towel Rail - 1270mm x 800mm - Chrome	\$ 1,275
HR2/800MB	Hydronic Towel Rail - 1270mm x 800mm - Matt Black	\$ 1,275
HR2/800BN	Hydronic Towel Rail - 1270mm x 800mm - Br. Nickel	\$ 1,600
HR2/800WH	Hydronic Towel Rail - 1270mm x 800mm - White	\$ 1,275
HR2/900CP	Hydronic Towel Rail - 1270mm x 900mm - Chrome	\$ 1,305
HR2/900MB	Hydronic Towel Rail - 1270mm x 400mm - Matt Black	\$ 1,305
HR2/900BN	Hydronic Towel Rail - 1270mm x 900mm - Br. Nickel	\$ 1,630
HR2/900WH	Hydronic Towel Rail - 1270mm x 900mm - White	\$ 1,305

HR3

Model	Description	RRP (GST Incl.)
HR3/400CP	Hydronic Towel Rail - 1720mm x 400mm - Chrome	\$ 1,370
HR3/400MB	Hydronic Towel Rail - 1720mm x 400mm - Matt Black	\$ 1,370
HR3/400BN	Hydronic Towel Rail - 1720mm x 400mm - Br. Nickel	\$ 1,710
HR3/400WH	Hydronic Towel Rail - 1720mm x 400mm - White	\$ 1,370
HR3/500CP	Hydronic Towel Rail - 1720mm x 500mm - Chrome	\$ 1,395
HR3/500MB	Hydronic Towel Rail - 1720mm x 500mm - Matt Black	\$ 1,395
HR3/500BN	Hydronic Towel Rail - 1720mm x 500mm - Br. Nickel	\$ 1,740
HR3/500WH	Hydronic Towel Rail - 1720mm x 500mm - White	\$ 1,369
HR3/600CP	Hydronic Towel Rail - 1720mm x 600mm - Chrome	\$ 1,420
HR3/600MB	Hydronic Towel Rail - 1720mm x 600mm - Matt Black	\$ 1,420
HR3/600BN	Hydronic Towel Rail - 1720mm x 600mm - Br. Nickel	\$ 1,810
HR3/600WH	Hydronic Towel Rail - 1720mm x 600mm - White	\$ 1,420
HR3/700CP	Hydronic Towel Rail - 1720mm x 700mm - Chrome	\$ 1,450
HR3/700MB	Hydronic Towel Rail - 1720mm x 700mm - Matt Black	\$ 1,450
HR3/700BN	Hydronic Towel Rail - 1720mm x 700mm - Br. Nickel	\$ 1,810
HR3/700WH	Hydronic Towel Rail - 1720mm x 700mm - White	\$ 1,450
HR3/800CP	Hydronic Towel Rail - 1720mm x 800mm - Chrome	\$ 1,480
HR3/800MB	Hydronic Towel Rail - 1720mm x 800mm - Matt Black	\$ 1,480
HR3/800BN	Hydronic Towel Rail - 1720mm x 800mm - Br. Nickel	\$ 1,850
HR3/800WH	Hydronic Towel Rail - 1720mm x 800mm - White	\$ 1,480
HR3/900CP	Hydronic Towel Rail - 1720mm x 900mm - Chrome	\$ 1,505
HR3/900MB	Hydronic Towel Rail - 1720mm x 900mm - Matt Black	\$ 1,505
HR3/900BN	Hydronic Towel Rail - 1720mm x 900mm - Br. Nickel	\$ 1,880
HR3/900WH	Hydronic Towel Rail - 1720mm x 900mm - White	\$ 1,505

Estimated Lead Times:

-  Chrome - 3 Week
-  Matt Black - 3 Weeks
-  White - 3 Weeks
-  Brushed Nickel - 3 Weeks




All pricing inclusive of GST

PRICING ACCESSORIES

Model	Description	RRP (GST Incl.)
EL20	20 Watt Electric Element	\$ 210
EL30	30 Watt Electric Element	\$ 210
EL40	40 Watt Electric Element	\$ 210
EL70	70 Watt Electric Element	\$ 210
EL100	100 Watt Electric Element	\$ 210
EL150	150 Watt Electric Element	\$ 210
EL200	200 Watt Electric Element	\$ 210
EL250	250 Watt Electric Element	\$ 210
EL300	300 Watt Electric Element	\$ 210
EL350	350 Watt Electric Element	\$ 210
HVS-CP	Hydronic Valve Set - Chrome	\$ 210
HVS-MB	Hydronic Valve Set - Matt Black	\$ 645
HVS-BN	Hydronic Valve Set - Br. Nickel	\$ 645
HVS-WH	Hydronic Valve Set - White	\$ 210
HTP-CP	Hydronic Electric Tpiece	\$ 70
SHWA-CP	Sing Hard Wire Attachment - Chrome	\$ 55
SHWA-MB	Sing Hard Wire Attachment - Matt Black	\$ 55
SHWA-BN	Sing Hard Wire Attachment - Br. Nickel	\$ 70
SHWA-WH	Sing Hard Wire Attachment - White	\$ 55
DHWA-CP	Double Hard Wire Attachment - Chrome	\$ 90
DHWA-MB	Double Hard Wire Attachment - Matt Black	\$ 90
DHWA-BN	Double Hard Wire Attachment - Br. Nickel	\$ 115
DHWA-WH	Double Hard Wire Attachment - White	\$ 90
TRBKT-CP	Towel Rail Bracket - Chrome	\$ 95
TRBKT-MB	Towel Rail Bracket - Matt Black	\$ 95
TRBKT-BN	Towel Rail Bracket - Br. Nickel	\$ 115
TRBKT-WH	Towel Rail Bracket - White	\$ 95

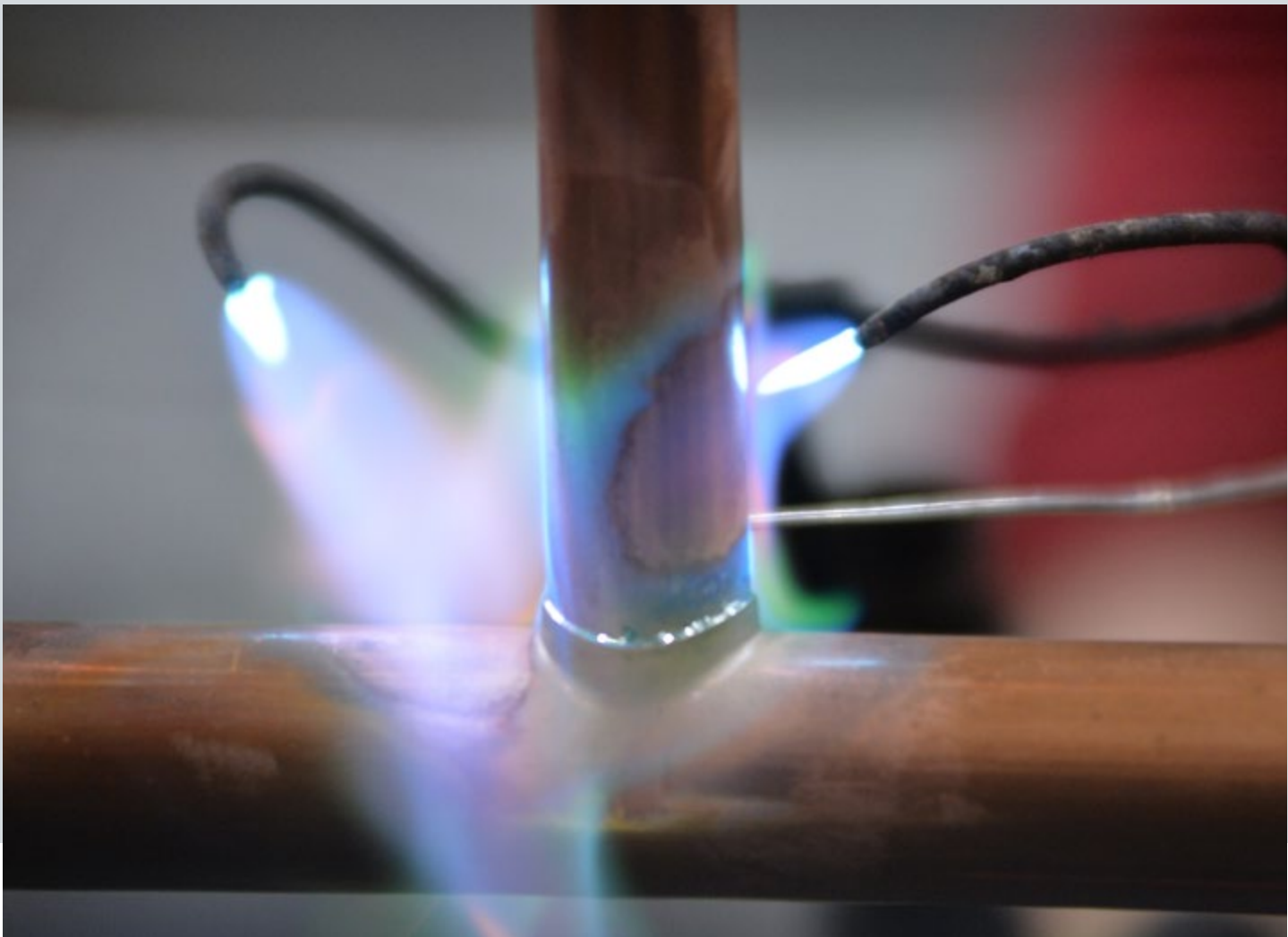
All pricing inclusive of GST

Estimated Lead Times:

-  Chrome - 1-3 Week
-  Matt Black - 1-3 Weeks
-  White - 1-3 Weeks
-  Brushed Nickel - 1-3 Weeks



Proudly Australian made and owned for over 30 years







*The Ultimate
Bathroom Accessory.*



HYDROTHERM

T O W E L R A I L S