

# Cuisinart®

**NOTICE TO  
PROFESSIONAL INSTALLER:**

LEAVE THESE INSTRUCTIONS WITH THE  
GRILL OWNER FOR FUTURE REFERENCE.



**AVERTISSEMENT À L'INTENTION DE  
L'INSTALLATEUR PROFESSIONNEL:**  
VEUILLEZ LAISSER CES INSTRUCTIONS AU  
PROPRIÉTAIRE DU GRIL POUR  
CONSULTATION ULTÉRIEUR.

## **Natural Gas Conversion Instructions for Model GAS2456AF Natural Gas Conversion Kit Sold Separately**

## **Conversion au gaz naturel Instructions pour le modèle GAS2456AF Trousse de conversion au gaz naturel vendue séparément**

**Use Cuisinart Natural Gas Conversion Kit  
Utiliser la trousse de conversion au gaz naturel de Cuisinart**

## **PROFESSIONAL INSTALLATION MANUAL MANUEL D'INSTALLATION PROFESSIONNELLE**

### **ASSEMBLY AND OPERATING INSTRUCTIONS INSTRUCTIONS D'ASSEMBLAGE ET DE FONCTIONNEMENT**

**SAVE THIS MANUAL FOR FUTURE REFERENCE  
VEUILLEZ CONSERVER CE MANUEL COMME RÉFÉRENCE**


#### **⚠ WARNING**

HAZARDOUS EXPLOSION MAY RESULT IF THESE  
WARNINGS AND INSTRUCTIONS ARE IGNORED. READ  
AND FOLLOW ALL WARNINGS AND INSTRUCTIONS IN  
THIS MANUAL TO AVOID PERSONAL INJURY, INCLUDING  
DEATH OR PROPERTY DAMAGE.

#### **⚠ AVERTISSEMENT**

IL EST IMPÉRATIF DE SUIVRE LES INSTRUCTIONS ET DE  
RESPECTER LES AVERTISSEMENTS, SANS QUOI DES  
EXPLOSIONS DANGEREUSES PEUVENT SURVENIR.  
VEUILLEZ LIRE ET RESPECTER TOUS LES AVERTISSEMENTS  
ET TOUTES LES INSTRUCTIONS QUE CONTIENT CE MANUEL  
AFIN D'ÉVITER LES BLESSURES CORPORELLES, DONT LA  
MORT ET LES DOMMAGES MATÉRIELS.

# **IMPORTANT SAFETY WARNINGS**

WE WANT YOU TO USE YOUR CONVERSION KIT FOR YOUR GRILL AS SAFELY AS POSSIBLE. THE PURPOSE OF THIS SAFETY ALERT SYMBOL  IS TO ATTRACT THE ATTENTION TO POSSIBLE HAZARDS AS THE GRILL IS CONVERTED AND USED AS A NATURAL GAS GRILL.

WHEN YOU SEE THE SAFETY ALERT SYMBOL  PAY CLOSE ATTENTION TO THE INFORMATION WHICH FOLLOWS!

 **READ ALL SAFETY WARNINGS AND INSTRUCTIONS CAREFULLY BEFORE CONVERTING AND OPERATING YOUR GRILL.**

## **DANGER**

### **IF YOU SMELL GAS:**

1. SHUT OFF GAS TO THE APPLIANCE.
2. EXTINGUISH ANY OPEN FLAME.
3. OPEN LID.
4. IF ODOR CONTINUES, KEEP AWAY FROM APPLIANCE AND IMMEDIATELY CALL YOUR GAS SUPPLIER OR YOUR FIRE DEPARTMENT.

## **WARNING**

1. Do not store or use gasoline or other flammable liquids or vapors in the vicinity of this or any other appliance.
2. An LP cylinder not connected for use shall not be stored in the vicinity of this or any other appliance.

**Failure to follow the instructions as written, or installation by other than a trained professional, will void all manufacturer warranties.**

Installer Company or Service Name: \_\_\_\_\_

Technician Name: \_\_\_\_\_ Installation Date: \_\_\_\_\_

## **WARNING**

This conversion kit shall be installed by a qualified service agency in accordance with the manufacturer's instructions and all applicable codes and requirements of the authority having jurisdiction. If the information in these instructions is not followed exactly, a fire, explosion or production of carbon monoxide may result causing property damage, personal injury or loss of life. The qualified service agency is responsible for the proper installation of this kit. The installation is not proper and complete until the operation of the converted appliance is checked as specified in the manufacturer's instructions supplied with the kit.




**IMPORTANT: FILL OUT PRODUCT RECORD INFORMATION BELOW.**

Model Number: \_\_\_\_\_

Serial Number: \_\_\_\_\_ Date Purchased: \_\_\_\_\_

# TABLE OF CONTENTS

General Warnings . . . . .	2-3
Assembly Instructions . . . . .	4-8
Connecting to Natural Gas Source . . . . .	8-9
Leak Testing . . . . .	10-11
Pre-start Check List . . . . .	12
Lighting Instructions . . . . .	12
Warranty Information . . . . .	Back Cover

-  **DANGER:** Indicates an imminently hazardous situation which, if not avoided, will result in death or serious injury.
-  **WARNING:** Be alert to the possibility of serious bodily injury if the instructions are not followed. Be sure to read and carefully follow all of the messages.
-  **CAUTION:** Indicates a potentially hazardous situation which, if not avoided, may result in minor or moderate injury.

## WARNING

- **FOR OUTDOOR USE ONLY. DO NOT** operate indoors or in an enclosed area such as a garage, shed or breezeway.
- **Use your grill OUTDOORS** in a well ventilated space away from dwellings or other buildings to prevent dangers associated with gas accumulation and toxic vapors. We recommend your grill be situated at least 10 feet (3.1 m) from buildings.
- **Maintain a minimum clearance of 36 inches (91 cm) between all sides of grill and walls or other combustible material. DO NOT** use grill under overhead unprotected combustible construction.
- **DO NOT** use or install this grill in or on a recreational vehicle and/or boat.

## INSTALLATION INFORMATION:

The installation of this appliance must be in accordance with:

All applicable local codes, or in the absence of local codes, either:

- National Fuel Gas Code ANSI Z223.1 NFPA 54
- Natural Gas and Propane Installation Code: CAN/CGA B149.1
- Natural Gas Installation Code: CAN/CGA B149.1 (Canada)


This kit converts your grill for natural gas use at 7 inch water column supply pressure. To check your pressure contact your local natural gas company. If the supply pressure is different than 7 inch, contact a professional service technician for assistance. **Not for use with LP gas.**

## **DANGER**

Connection should be made by a professional service technician. Supply the technician with a copy of these instructions. Incorrect connection can result in a gas leak with possibility of fire.

## **GENERAL WARNINGS**

### **WARNING**

- Never use liquid propane gas in a unit designed for natural gas.
  - Never use charcoal or wood briquette in a gas grill. Flavoring chips must be contained in a metal smoking box to contain ash and prevent fires.
  - Leak test all connections before first use, even if grill was purchased fully assembled.
  - Never check for leaks using a match or open flame.
-  **CAUTION:** Strong odors, colds, sinus congestion, etc. may prevent the detection of natural gas. Use caution and common sense when testing for leaks.
- Always keep your gas grill free and clear of gasoline, lighter fluid, paint thinner, or other flammable vapors and liquids or combustible materials.
  - Always check the grill prior to each use as indicated in the “Pre-Start Check List” section of this manual.
  - Only use the specific orifice designated for your grill model. Always double check the millimeter size on the side of the orifice tip prior to installation. Use of any other orifice could lead to personal injury, property damage and void your grill warranty.
  - DO NOT obstruct the flow of combustion or ventilation air.
  - Keep children and pets away from hot grill. DO NOT allow children to use or play near this grill.
  - DO NOT leave the grill unattended while in use.
  - DO NOT allow the gas hose to come in contact with hot surfaces.
  - DO NOT allow grease from drain hole to fall on hose.
  - Keep any electrical supply cords away from water or heated surfaces.
  - Keep a fire extinguisher on hand acceptable for use with gas products. Refer to your local authority to determine proper size and type.
  - For household use only. DO NOT use this grill for anything other than its intended purpose.
  - DO NOT use while under the influence of drugs or alcohol.
  - Grill is hot when in use. To avoid burns:
    - DO NOT attempt to move the grill.
    - Lock the wheels so the unit does not accidentally move.
    - Wear protective gloves or oven mitts.
    - DO NOT touch any hot grill surfaces.
  - The outdoor cooking gas appliance and its individual shut-off valve must be disconnected from the gas supply piping system during any pressure testing of that system at test pressure in excess of 0.5 psi (3.5kPa)
  - The outdoor cooking gas appliance must be isolated from the gas supply piping system by closing its individual manual shutoff valve during any pressure testing of the gas supply piping system at test pressures equal to or less than 1/2 psi (3.5 kPa)

 **USE CAUTION AND COMMON SENSE WHEN OPERATING YOUR GAS GRILL.**

**FAILURE TO ADHERE TO THE SAFETY WARNINGS AND GUIDELINES IN THIS MANUAL  
COULD RESULT IN SEVERE BODILY INJURY OR PROPERTY DAMAGE.**

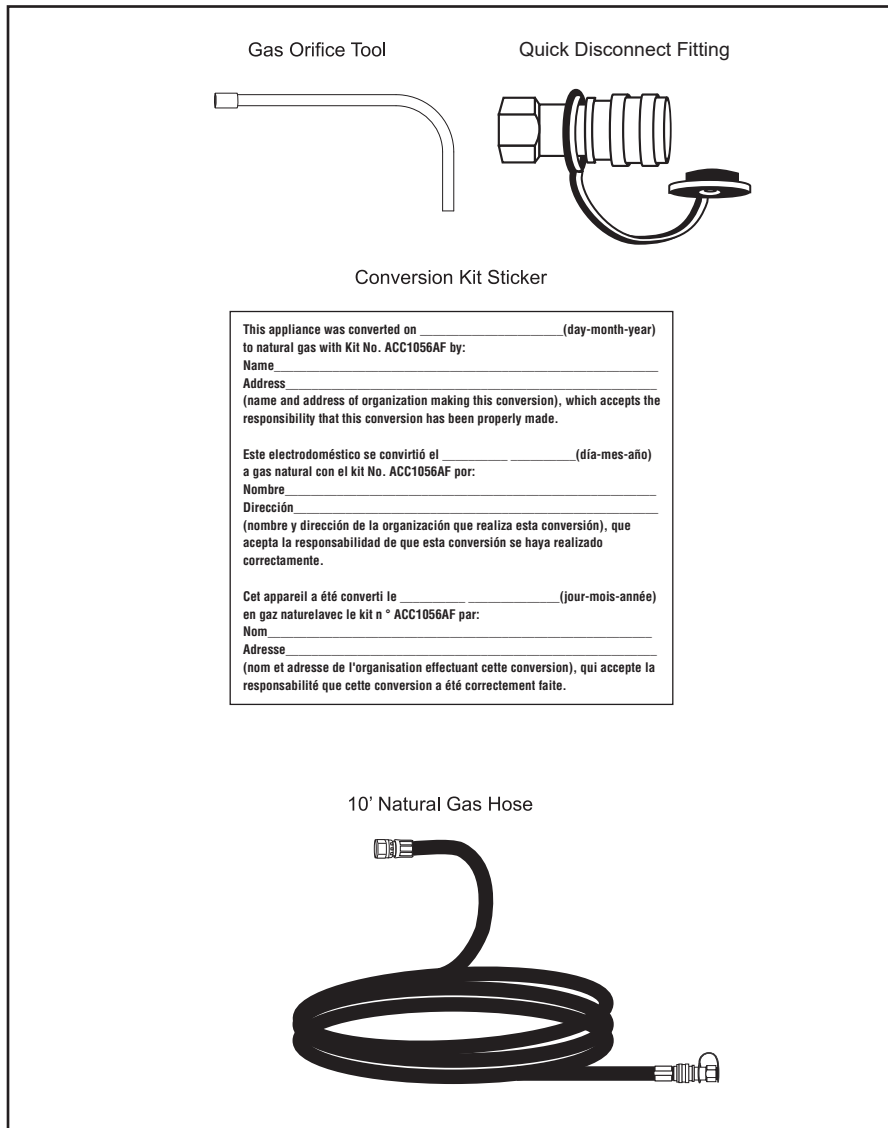
# ASSEMBLY INSTRUCTIONS

YOU MUST BE A PROFESSIONAL SERVICE TECHNICIAN TO CONVERT THIS GRILL.  
 READ ALL SAFETY WARNINGS & ASSEMBLY INSTRUCTIONS CAREFULLY  
 BEFORE ASSEMBLING OR OPERATING THE CONVERTED GRILL.

The following tools are required to assemble the Conversion Kit:

- Phillips and Flathead Screwdrivers
- Adjustable Wrench
- 3/4 Wrench

## PARTS CONTENTS



Inspect contents of the box to ensure all parts are included and undamaged.

	Main Burner		Side Burner	
	LP	NG	LP	NG
Orifice size	Φ0.99	Φ1.38	Φ1.02	Φ1.48
Input rating	4 X 10,500 BTU		12,000 BTU	

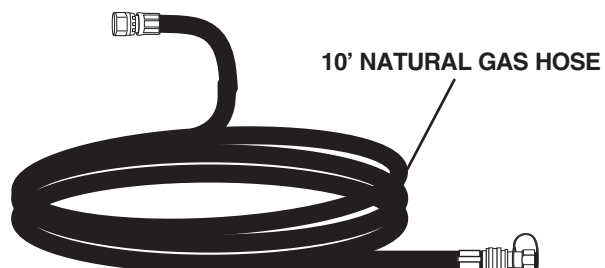
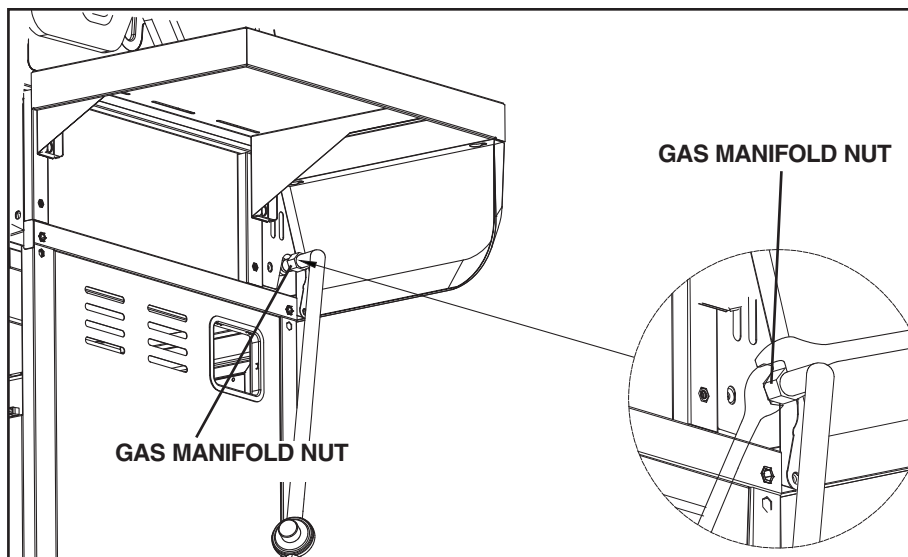
# CONVERSION INSTRUCTIONS GAS2456AF

**⚠ CAUTION:** Some parts may contain sharp edges. Wear protective gloves if necessary.

Note: Make sure all control knobs are in the off position, LP tank valve is closed and tank is disconnected from regulator and removed from grill.

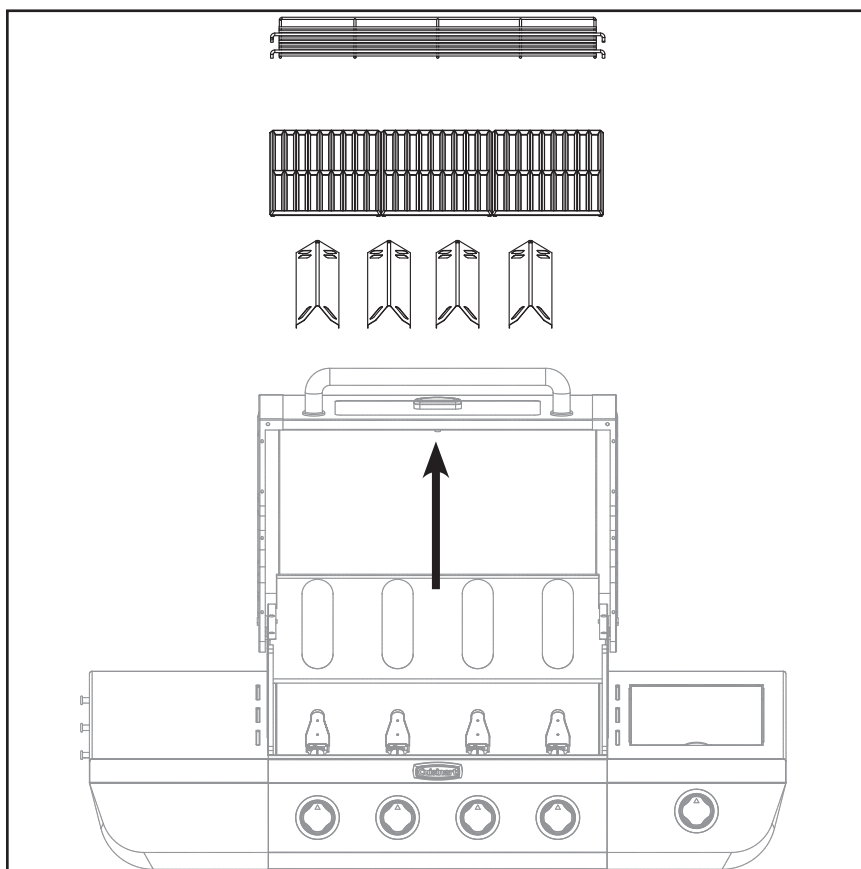
## Step 1

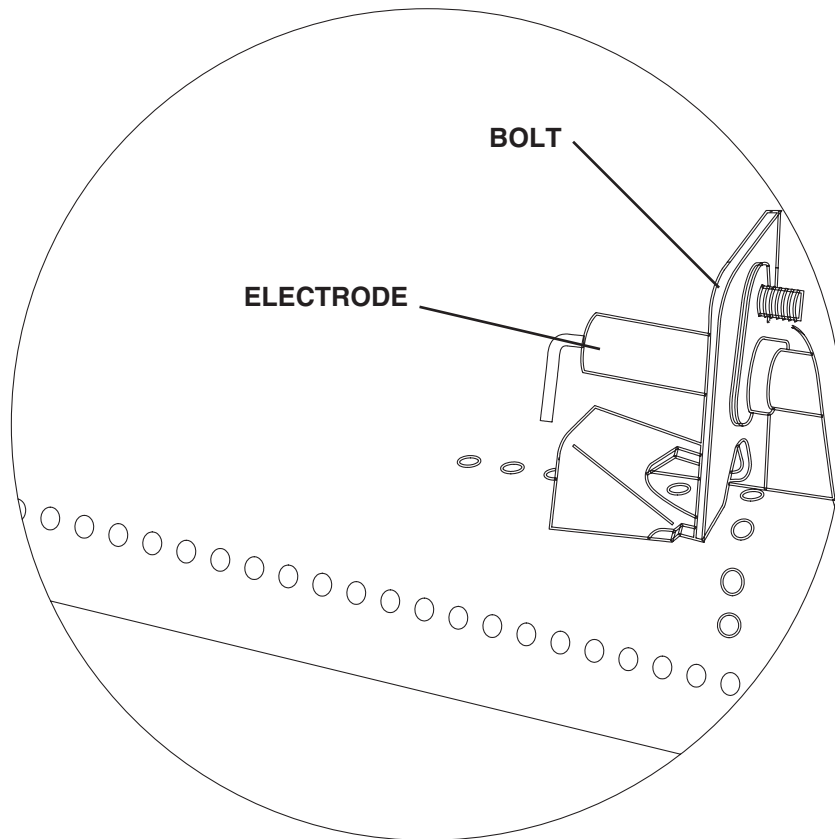
Using an adjustable wrench to hold the gas manifold connection secure, use a 3/4" wrench to loosen the hose connection nut. Replace existing LP hose/regulator assembly with natural gas 10' hose assembly. Tighten the connection carefully using two wrenches.



## Step 2

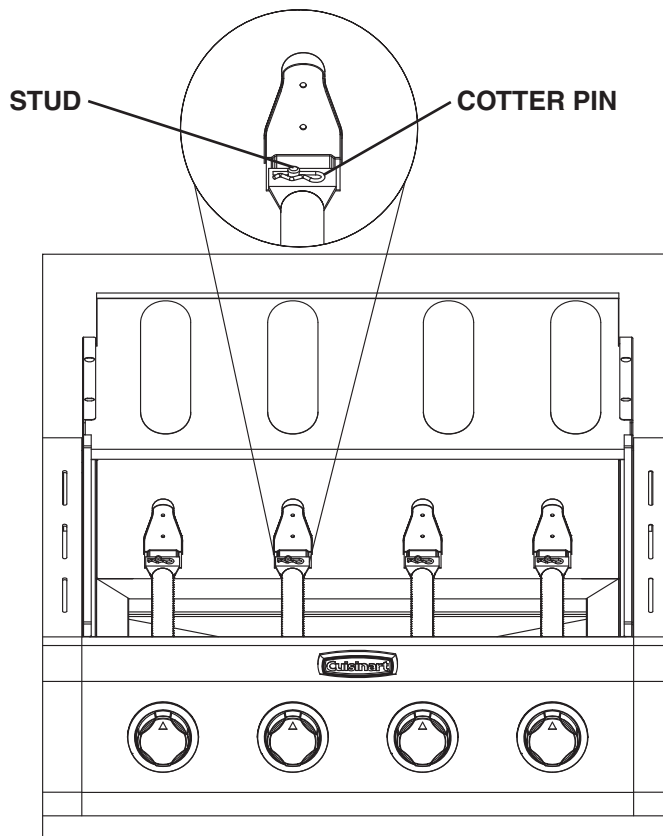
Open hood and remove warming rack, cooking grates and heat tents. Set aside for later use.





### Step 3

Remove electrodes from each burner by unscrewing the bolt. Set aside for later use.



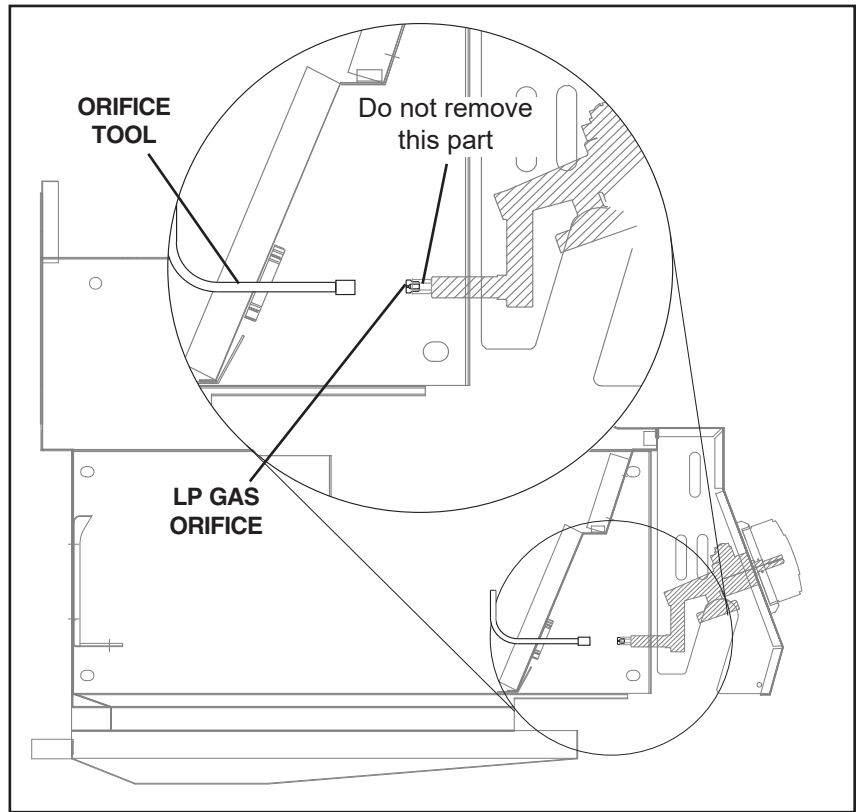
### Step 4

Remove cotter pins and studs from each burner "foot". Carefully lift each burner up and away from valve openings. Set aside for later use.

Note: All orifices of the grill are double orifices (LP gas and natural gas). You only remove the LP gas orifice tip.

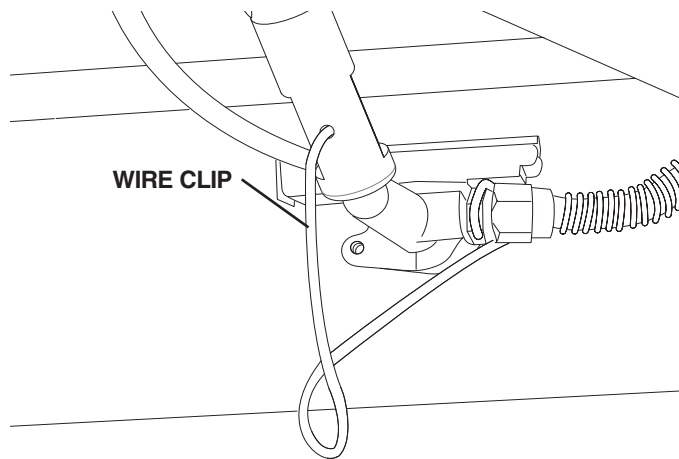
**Step 5**

Use the orifice tool to remove the LP gas valve orifice from each main burner valve through the hole in the firebox front panel.



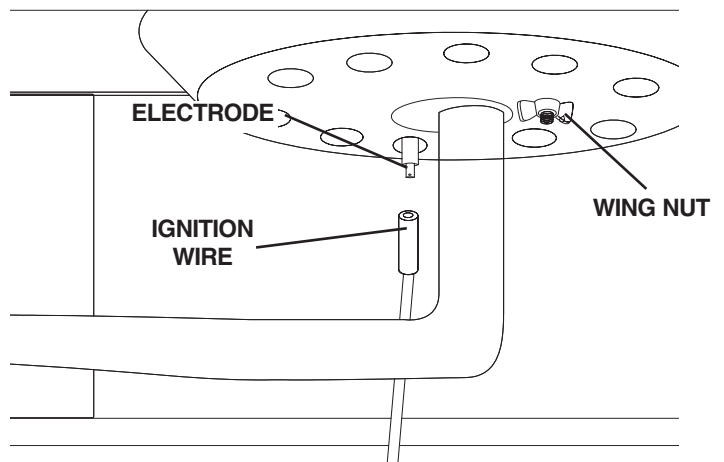
**Step 6**

Remove the side burner grate and wire clip from the side burner tube.

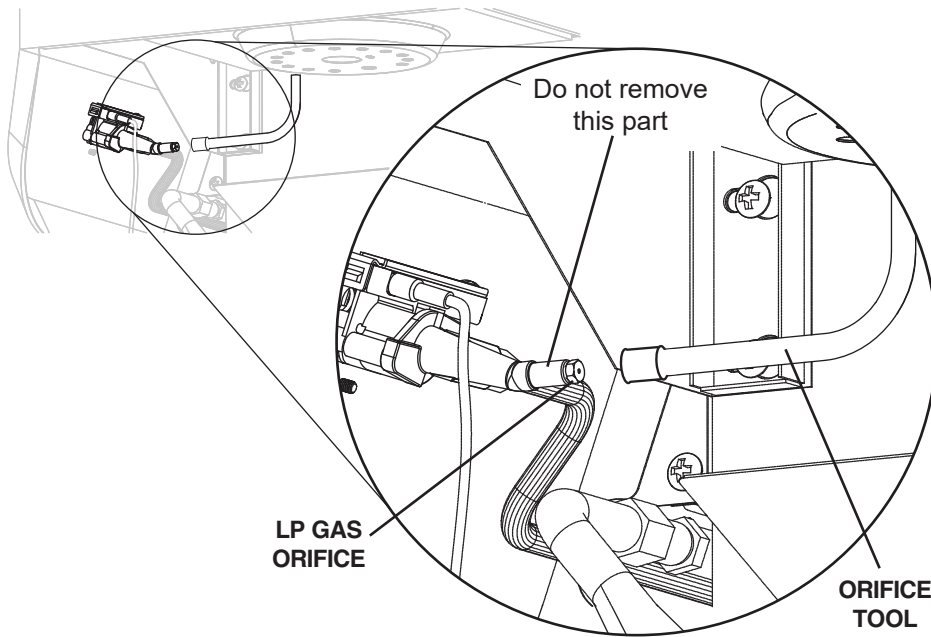


**Step 7**

Remove wing nut from side burner. Remove ignition wire from electrode. Carefully lift up and away side burner from valve nozzle. Set aside for later use.

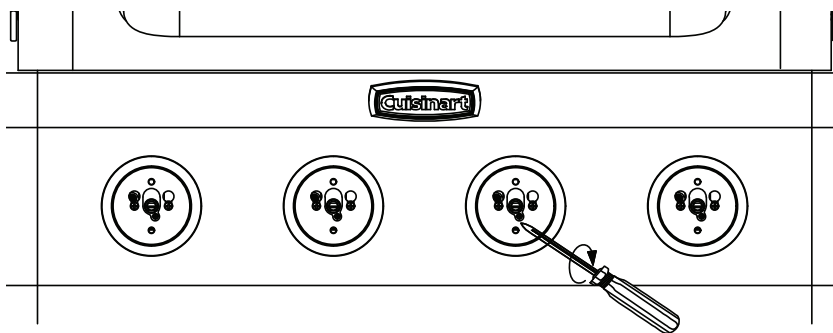






### Step 8

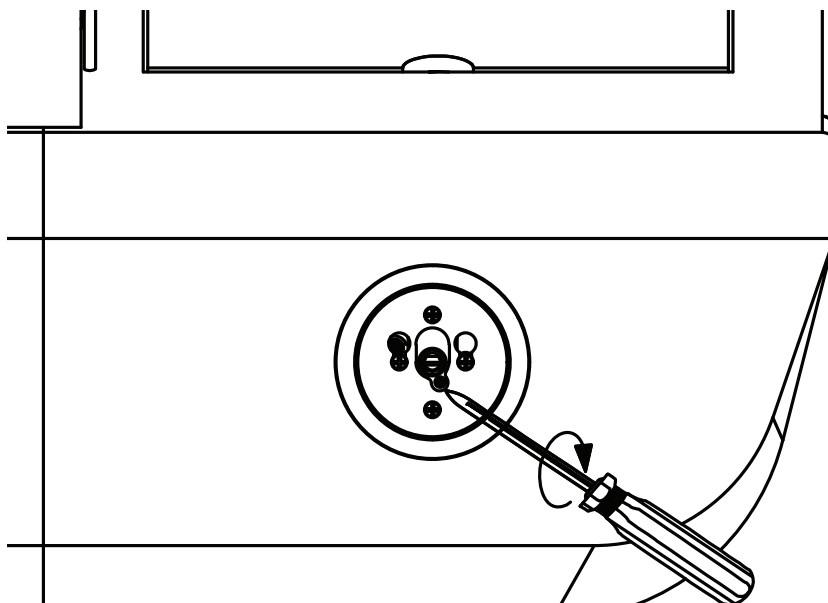
Use the gas orifice tool to remove the LP orifice from side burner valve.



### Step 9

Make sure all control knobs are OFF, then remove all the control knobs. Tighten screw on each control valve.

Note: This screw regulates the low flame setting for natural gas. After replacing knobs you will notice the knobs will stop at the "MED" setting on the dial. This is the correct low setting for natural gas. Do not try to turn the knob to "LO" setting.



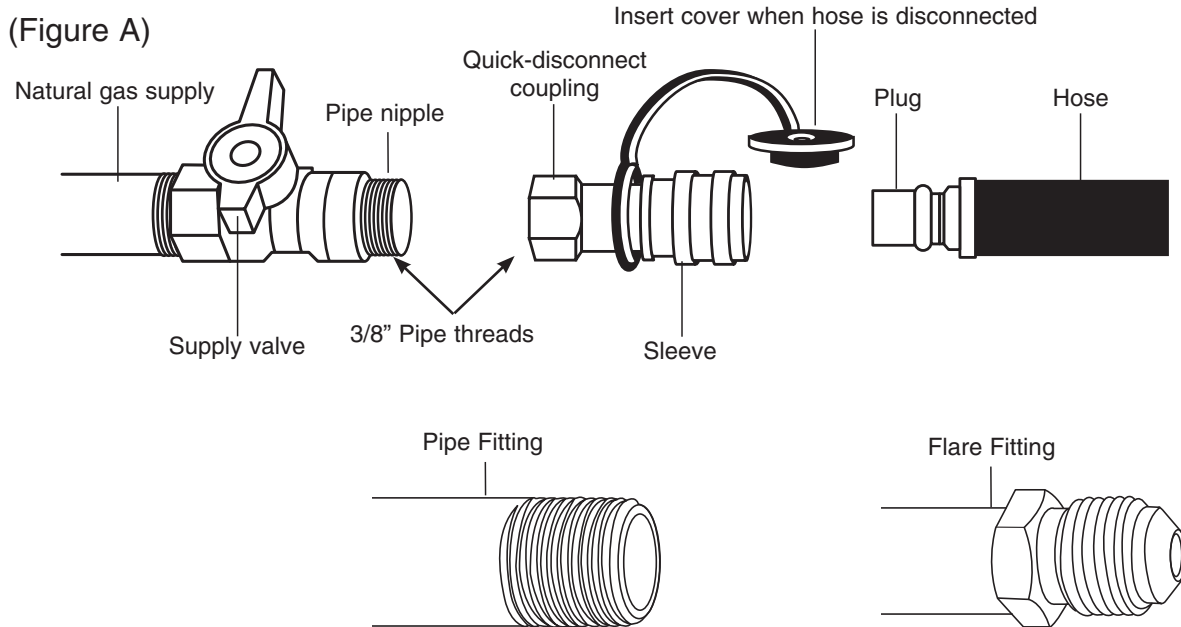
### Step 10

Carefully replace all burners, making sure burner openings slide over valve nozzles. Attach each main burner using studs and cotter pins that were set aside in previous step. Attach side burner using wing nut and reattach wire clip to side burner that were set aside in previous step. Reattach any electrodes that were detached in previous steps. Reattach all control knobs.

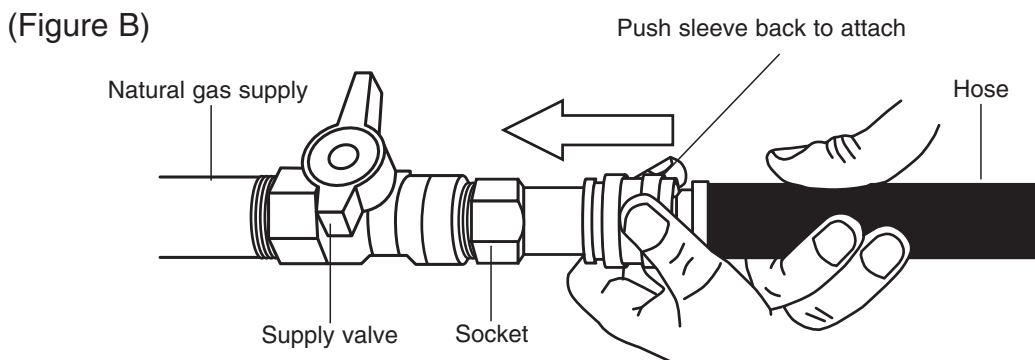
Replace heat tents, cooking grates and warming rack and side burner grate.

## CONNECTING YOUR GRILL TO THE NATURAL GAS SOURCE

1. Coat pipe nipple with gas resistant teflon tape or pipe dope. Tighten quick-disconnect coupling onto pipe nipple that leads to natural gas supply (Figure A).
2. After grill is completely assembled, make sure natural gas supply valve is "OFF" and then connect natural gas hose to socket. Push sleeve back on socket (Figure B) and insert plug until sleeve snaps forward, locking plug into socket. Be sure to leak test these connections prior to use.



When attaching the quick disconnect to your natural gas supply line, use a pipe fitting, DO NOT use a flare fitting.



## DISCONNECTING YOUR GRILL FROM THE NATURAL GAS SOURCE

1. Turn natural gas supply valve "OFF"
2. To disconnect, push sleeve back and pull plug out of sleeve.

## **⚠ WARNING**

- Never use your grill without leak testing all gas connections and hoses. See the section on “Leak Testing” in this manual for proper procedures.
- Visually inspect the hose assembly prior to each use for evidence of damage, excess wear or deterioration. If found, replace the assembly before using your grill. Only the manufacturer’s supplied replacement should be used.
- During assembly or conversion to natural gas, keep the supply hoses free of kinks and/or damage.

## **⚠ WARNING**

### **AVOID HARD METAL PIPING**

- DO NOT use hard metal piping of any kind to connect this converted natural gas grill. Use only natural gas hose specified by the manufacturer. Using hard metal piping or convoluted metal tubing is an unsafe practice. Movement of the grill can cause breakage of metal pipe.

## **⚠ DANGER**

### **LEAK TESTING:**

To prevent fire or explosion hazard:

- DO NOT smoke or permit ignition sources in the area while conducting a leak test.
- Perform test OUTDOORS only in a well ventilated area.
- Never perform a leak test with a match or open flame.
- Never perform a leak test while the grill is in use or while grill is still hot.

## **⚠ WARNING**

### **WHEN TO PERFORM A LEAK TEST:**

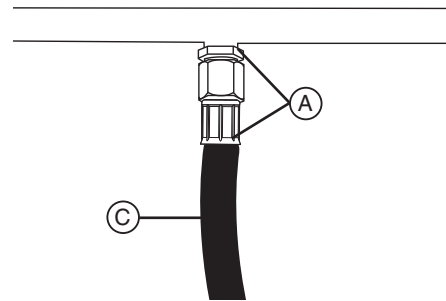
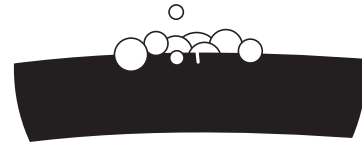
- After assembling or converting your natural gas grill and before lighting for the first time, even if purchased fully assembled.
- Any time the gas components are replaced.
- Any time your grill has been moved.
- At least once per year or if your grill has not been used for more than 60 days.

## CHECKING FOR LEAKS:

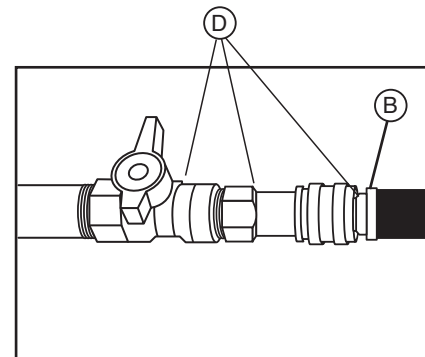
1. Create a mixture of 50% water and 50% liquid dishwashing soap.
2. Open the lid.
3. Ensure all control knobs are set to the “OFF” position.
4. Ensure gas hose is tightly connected to gas source.
5. Turn on the fuel supply at the source.
6. Apply the soap water mixture to the following:

- (A) Hose connection to gas manifold.
- (B) Brass connections and quick disconnect assembly.
- (C) The full length of gas supply hose.
- (D) Quick disconnect coupler.

Watch For Bubbles



7. Check each place listed (A–D) for growing bubbles which indicates a leak.
8. Turn off gas supply at source.
9. Turn on control knobs to release gas pressure in hose.
10. Turn control knobs to “OFF” position.
11. Tighten any leaking connections.
12. Repeat soapy water test until no leaks are detected.
13. Turn off gas supply at source until you are ready to use your grill.
14. Wash off soapy residue with cold water and towel dry.
15. Wait 5 minutes to allow all gas to evacuate the area before lighting grill.



**⚠ CAUTION: DO NOT** use the grill if leaks cannot be stopped.

Note: The leak test must be performed in an area that has adequate lighting in order to see if bubbles are developing.

## **⚠ WARNING**

Property damage, bodily harm, severe burns, and death could result from failure to follow these safety steps. These steps should be performed after the grill has been assembled and prior to each use. **DO NOT** operate this grill until you have read and understand **ALL** of the warnings and instructions in this manual.

### **PRE-START CHECK LIST:**

- Ensure that the grill is properly assembled.
- Inspect the gas supply hose for burns, chaffing, kinks, and proper routing before each use. If it is evident there is excessive abrasion or wear, or the hose is cut, it must be replaced prior to the grill being used.
- Leak check all gas connections and hose. See section on “Leak Testing”
- Ensure that all electrical supply cords are properly grounded. Keep any electrical supply cord and the fuel supply hose away from any heated surfaces. Hose should be at least 3 inches from hot surfaces.
- Position your grill on level ground in a well ventilated location, a safe distance from combustible materials, buildings and overhangs.
- Properly place the empty grease tray under the grease drain hole in the bottom of the grill to catch grease during use.
- **DO NOT** obstruct the flow of combustion and ventilation air.

## **⚠ WARNING**

**Read, understand and follow all warnings and instructions contained in this manual. DO NOT skip any of the warnings and instructions contained in the preceding sections of this manual.**

## **⚠ WARNING**

### **LIGHTING INSTRUCTIONS:**

Follow the instructions in your grill owners manual or on the control panel of the grill.

1. **OPEN THE GRILL LID** before attempting to light a burner so that fumes do not accumulate inside the grill. An explosion could occur if grill lid is down.
2. Check that all burner control knobs are turned to the “OFF” position.
3. **DO NOT** stand with head, body, or arms over the grill when lighting.

Note: Observe flame height of main burner when lit:  
Flame should be a Blue/Yellow color between  
1”–2” when burner is on “HIGH”.

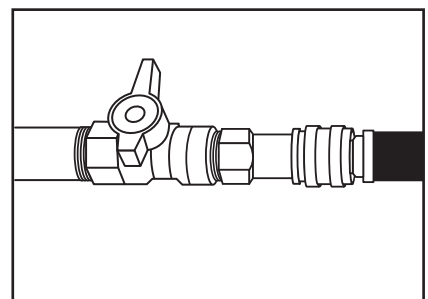


### **TURNING OFF THE GRILL:**

1. Turn off the gas at the source.
2. Turn all burner control knobs to the “OFF” position.

### **⚠ CAUTION:**

- The natural gas source should always be in the off, or closed position when the grill is not in use.
- Refer to your grill owner’s manual for grill operating instructions.
- Apply conversion kit sticker to an area near the rating label to show the grill has been converted for use with natural gas.





# AVERTISSEMENTS DE SÉCURITÉ IMPORTANTES

NOUS VOULONS QUE VOUS UTILISIEZ L'ENSEMBLE DE CONVERSION POUR VOTRE GRIL DE LA MANIÈRE LA PLUS SÉCURITAIRE POSSIBLE. CE SYMBOLE D'AVERTISSEMENT DE SÉCURITÉ SERT À ATTIRER VOTRE ATTENTION SUR LES DANGERS POSSIBLES PENDANT LA CONVERSION DU GRIL ET LORSQUE CE DERNIER EST UTILISÉ AVEC DU GAZ NATUREL. SI VOUS VOYEZ CE SYMBOLE D'AVERTISSEMENT, PORTEZ UNE ATTENTION PARTICULIÈRE AUX RENSEIGNEMENTS QUI SUIVENT!

LISEZ ATTENTIVEMENT TOUS LES AVERTISSEMENTS DE SÉCURITÉ ET TOUTES LES INSTRUCTIONS AVANT DE FAIRE LA CONVERSION DE VOTRE GRIL ET DE L'UTILISER.

## ⚠ DANGER

SI VOUS SENTEZ UNE ODEUR DE GAZ:

1. Fermez la conduite d'alimentation en gaz de l'appareil.
2. Éteignez toute flamme.
3. Ouvrez le couvercle.
4. Si l'odeur persiste, éloignez-vous de l'appareil et appelez immédiatement votre fournisseur de gaz ou le service des incendies.

## ⚠ AVERTISSEMENT

1. Ne rangez pas et n'utilisez pas d'essence ni tout autre liquide ou vapeur inflammable aux alentours de cet appareil ou de tout autre appareil.
2. Tout réservoir de propane qui n'est pas connecté pour être utilisé ne doit pas être entreposé aux alentours de cet appareil ni de tout autre appareil.

Le fait de ne pas suivre ces instructions telles qu'écrites ou de faire faire l'installation par une autre personne qu'un professionnel qualifié annule toute garantie du fabricant.

Entreprise de l'installateur ou nom du service: \_\_\_\_\_

Nom du technicien: \_\_\_\_\_ Date d'installation: \_\_\_\_\_

## ⚠ AVERTISSEMENT

Ce kit de conversion doit être installé par un centre de service après-vente qualifié conformément aux instructions du fabricant et à tous les codes et exigences applicables de l'autorité compétente. Si les informations contenues dans ces instructions ne sont pas suivies à la lettre, un incendie, une explosion ou la production de monoxyde de carbone pourrait en résulter, entraînant des dommages matériels, des blessures corporelles ou la mort. L'agence de service qualifiée est responsable de la bonne installation de ce kit. L'installation n'est pas correcte et complète jusqu'à ce que le fonctionnement de l'appareil converti soit vérifié, comme indiqué dans les instructions du fabricant fournies avec le kit.

**IMPORTANT:** Veuillez inscrire les renseignements concernant le produit sur la fiche suivante.

Numéro de modèle: \_\_\_\_\_

Numéro de série: \_\_\_\_\_ Date d'achat: \_\_\_\_\_

# TABLE DES MATIÈRES

Avertissements Généraux .....	14-15
Instructions d'Assemblage .....	16-20
Branchement de l'Appareil à la Source de Gaz Naturel .....	21
Inspection des Conduites Pour Les Fuites .....	22-23
Liste de Vérification Avant l'Allumage .....	24
Instructions d'Allumage .....	24
Renseignements Sur la Garantie .....	Quatrième de Couverture

- ⚠ DANGER:** Indique une situation dangereuse imminente, laquelle, si elle n'est pas évitée, pourrait provoquer des blessures graves ou la mort.
- ⚠ AVERTISSEMENT:** Des blessures graves peuvent être causées si les instructions ne sont pas suivies à la lettre. Assurez-vous de lire et de suivre attentivement tous les messages.
- ⚠ MISE EN GARDE:** Indique une situation potentiellement dangereuse, laquelle, si elle n'est pas évitée, pourrait provoquer des blessures mineures ou modérées.

## ⚠ AVERTISSEMENT

- **POUR USAGE EXTÉRIEUR SEULEMENT. N'utilisez PAS le gril à l'intérieur ni dans un endroit fermé comme un garage, une remise ou un passage couvert.**
- **Utilisez votre gril à l'EXTÉRIEUR dans un endroit bien aéré et éloigné des logements ou des autres bâtiments afin d'éviter les dangers associés à l'accumulation de gaz ou de vapeurs toxiques. Nous recommandons de placer votre gril à une distance d'au moins 3,1 m (10 pi) des bâtiments.**
- **Gardez un dégagement minimal de 91 cm (36 po) entre tous les côtés du gril et les murs ou tout autre matériau combustible. N'utilisez PAS le gril dans un lieu couvert par des matériaux combustibles non protégés.**
- **N'utilisez PAS et n'installez PAS le gril dans un véhicule récréatif ou sur un bateau.**

## RENSEIGNEMENTS SUR L'INSTALLATION:

L'installation de cet appareil doit être conforme à tous les codes locaux en vigueur ou, en l'absence de tels codes, à l'une des normes suivantes:

- Code National du Gaz Combustible (ANSI Z223.1-2009/3.0)»
- Code d'installation du gaz propane et du gaz naturel : CAN/CGA B149.1
- Code d'installation du gaz naturel : CAN/CGA B149.1 (Canada)

L'ensemble de conversion convertit votre gril au gaz naturel à une pression de 7 pouces de colonne d'eau. Pour vérifier la pression, veuillez contacter votre fournisseur de gaz. Si la pression n'est pas de 7 pouces, veuillez contacter un technicien professionnel en entretien et réparation pour obtenir de l'aide.

**Ne convient pas pour une utilisation avec du propane.**

## **⚠ DANGER**

La connexion devrait être effectuée par un technicien professionnel en entretien et réparation. Veuillez fournir une copie de ces instructions au technicien. Une connexion incorrecte peut causer des fuites de gaz et provoquer des incendies.

# **AVERTISSEMENTS GÉNÉRAUX**

## **⚠ AVERTISSEMENT**

- N'utilisez jamais de gaz propane avec un appareil conçu pour être utilisé avec du gaz naturel.
- N'utilisez jamais de briquettes de charbon ni de bois dans un gril au gaz. Les copeaux de saveurs doivent être placés dans une boîte de fumage en métal afin d'y contenir les cendres et de prévenir les incendies.
- Afin de vous assurer qu'il n'y a aucune fuite, vérifiez toutes les connexions avant la première utilisation, même si le gril a été acheté complètement assemblé.
- N'utilisez jamais d'allumettes ni une flamme vive pour vérifier s'il y a des fuites.
- ⚠ **MISE EN GARDE:** Les odeurs fortes, les rhumes, la congestion nasale, etc. peuvent empêcher la détection de la présence de gaz naturel. Faites preuve de prudence et de bon sens au moment de vérifier s'il y a des fuites.
- Gardez toujours le gril au gaz loin des liquides inflammables comme l'essence, l'essence à briquet, les diluants à peinture, ou tout autre source de liquides ou de vapeurs inflammables ou de matériaux combustibles.
- Vérifiez le gril avant chaque utilisation, tel qu'indiqué dans le chapitre « Liste de vérification avant l'allumage » de ce guide.
- N'utilisez que l'orifice spécifique désigné pour votre modèle de gril. Contre-vérifiez toujours la taille en millimètres sur le côté de l'embout de l'orifice avant l'installation. L'utilisation de tout autre orifice pourrait causer des blessures corporelles et matérielles et annuler la garantie.
- N'utilisez JAMAIS le brûleur de rôtisserie en même temps que les brûleurs principaux.
- N'obstruez JAMAIS le débit de combustion ni l'aération.
- NE placez JAMAIS plus de 15 livres sur le brûleur latéral. NE vous appuyez JAMAIS sur la tablette du brûleur latéral.
- Gardez les enfants et les animaux loin du gril chaud. NE laissez JAMAIS des enfants utiliser le gril ou jouer près de celui-ci.
- NE laissez JAMAIS le gril sans surveillance pendant qu'il est en marche.
- NE laissez JAMAIS la conduite de gaz entrer en contact avec les surfaces chaudes.
- NE laissez JAMAIS la graisse s'écouler par le trou du drain sur la conduite.
- Gardez tout cordon électrique loin de l'eau ou des surfaces chauffées.
- Gardez à portée de main un extincteur certifié pour les produits gazeux. Communiquez avec les autorités locales pour déterminer la taille et le type adéquats.
- Pour usage domestique seulement. N'utilisez JAMAIS ce gril à d'autres fins que celles pour lesquelles il est conçu.
- N'utilisez JAMAIS le gril sous l'influence de l'alcool ou de drogues.
- Le gril devient très chaud quand on l'utilise. Pour éviter les brûlures:
  - N'essayez JAMAIS de déplacer le gril.
  - Verrouillez les roues afin que l'appareil ne soit pas déplacé accidentellement.
  - Portez des gants de protection ou des gants de cuisinier.
  - NE touchez JAMAIS les surfaces chaudes du gril.
  - NE portez JAMAIS de vêtements amples et NE laissez JAMAIS vos cheveux entrer en contact avec le gril
- L'appareil à gaz de cuisson extérieur et son robinet d'arrêt individuel doivent être débranchés du système de tuyauterie d'alimentation en gaz lors de tout test de pression de ce système à une pression de test supérieure à 0,5 psi (3,5 kPa)
- L'appareil à gaz de cuisson en plein air doit être isolé du système de tuyauterie d'alimentation en gaz en fermant son robinet d'arrêt manuel individuel lors de tout test de pression du système de tuyauterie d'alimentation en gaz à des pressions de test égales ou inférieures à 3,5 kPa (1/2 psi).

**⚠ UTILISEZ LA PRUDENCE ET LE SENS COMMUNS LORS DE L'UTILISATION DE VOTRE GRIL À GAZ. NON-RESPECT DES AVERTISSEMENTS DE SECURITE ET DES DIRECTIVES DE CE MANUEL POURRAIT ENTRAÎNER DES BLESSURES CORPORELLES GRAVES OU DES DOMMAGES À LA PROPRIÉTÉ.**



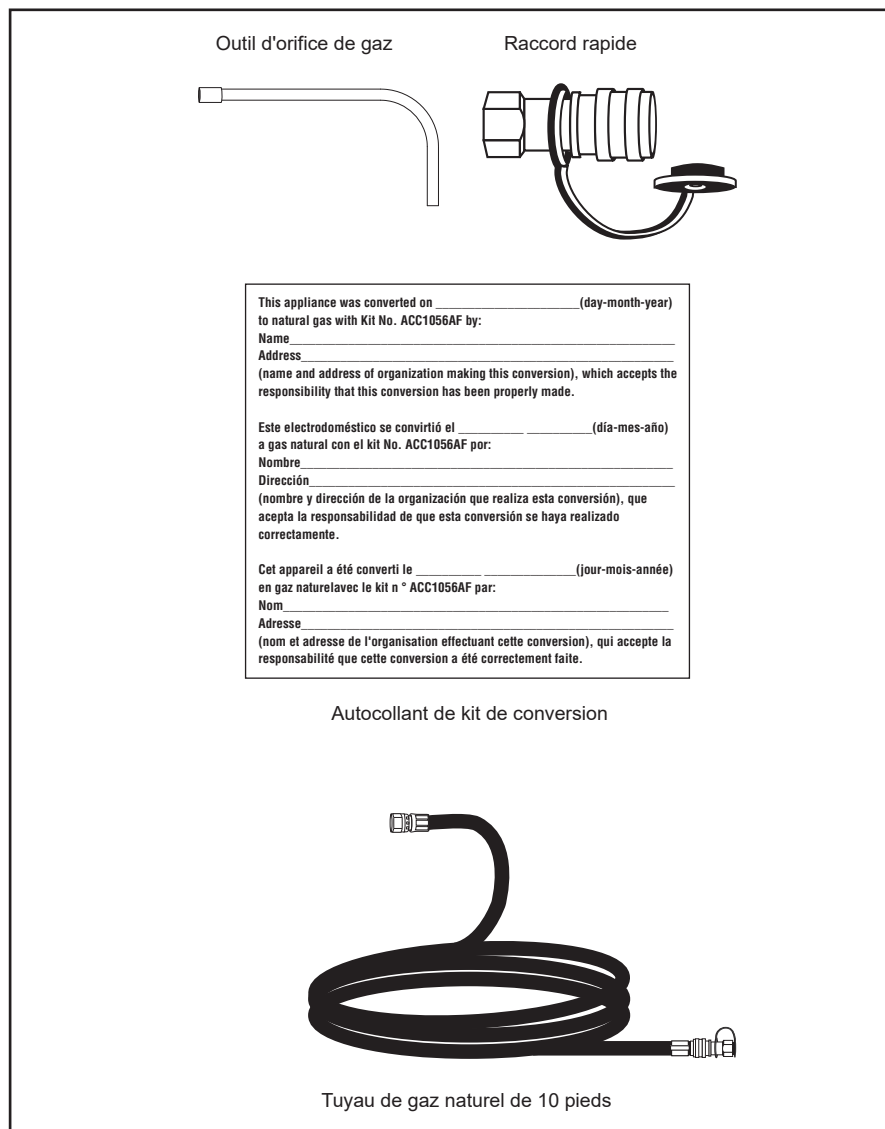
# INSTRUCTIONS D'ASSEMBLAGE

LA CONVERSION DE CE GRIL DOIT ÊTRE EFFECTUÉE PAR UN TECHNICIEN PROFESSIONNEL EN ENTRETIEN ET RÉPARATION. VEUILLEZ LIRE ATTENTIVEMENT TOUS LES AVERTISSEMENTS DE SÉCURITÉ ET TOUTES LES INSTRUCTIONS D'ASSEMBLAGE AVANT DE FAIRE LA CONVERSION DE VOTRE GRIL OU DE L'UTILISER.

Les outils suivants sont nécessaires pour assembler l'ensemble de conversion:

- Cruciforme et tournevis à tête plate
- Clé Ajustable
- Clé de 3/4

## CONTENU DES PIÈCES



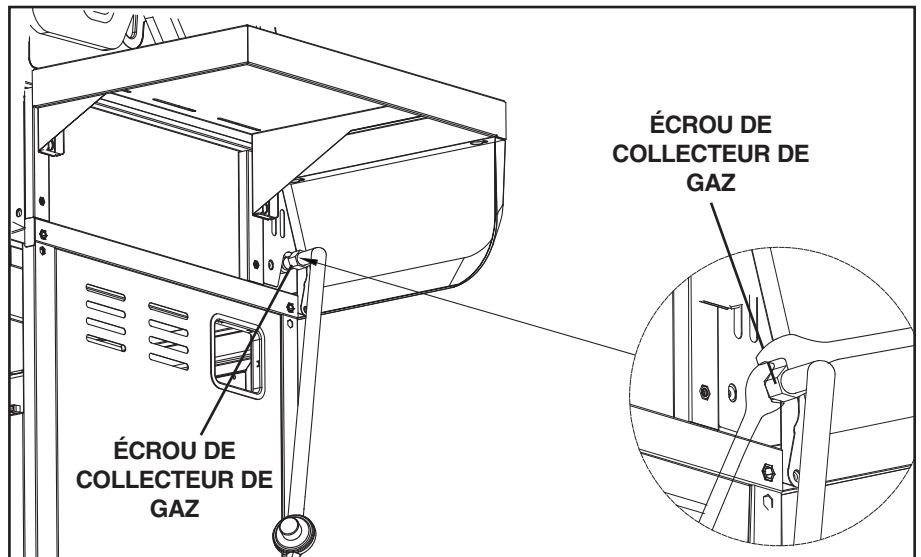
Inspectez le contenu de la boîte afin de vous assurer que toutes les pièces sont incluses et en bon état de fonctionnement.

Taille de l'orifice	Brûleur Principal		Brûleur latéral	
	LP	NG	LP	NG
	Φ0.99	Φ1.38	Φ1.02	Φ1.48
Puissance calorifique	4 X 10,500 BTU		12,000 BTU	

# CONVERSION INSTRUCTIONS GAS2456AF

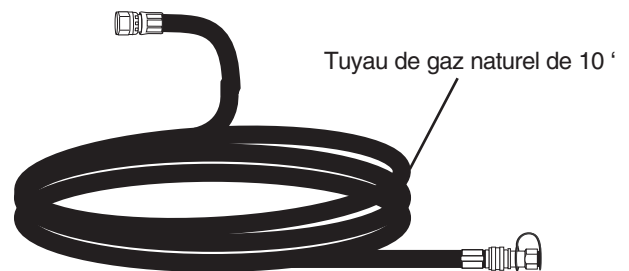
**MISE EN GARDE:** Certaines pièces peuvent contenir des bords coupants. Porter des gants protecteurs si nécessaire.

**Note:** S'assurer que tous les boutons de contrôle sont dans la position d'arrêt (OFF), que la soupape de la bouteille de gaz LP est fermée et que la bouteille de gaz est débranchée du régulateur et enlevé du gril.



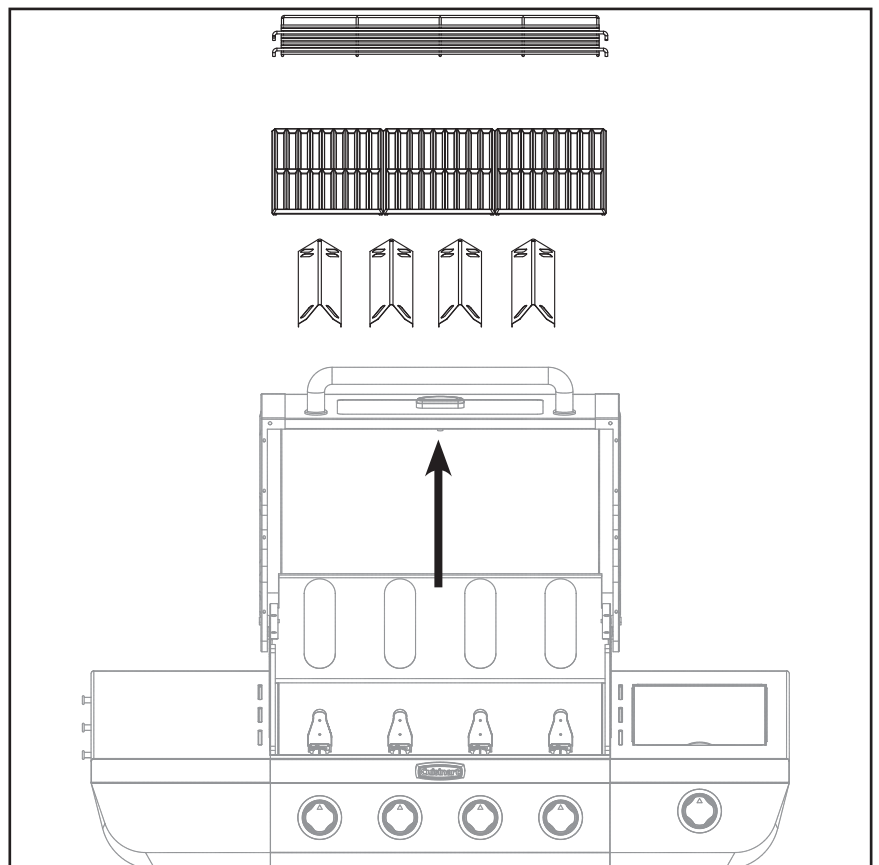
## Étape 1

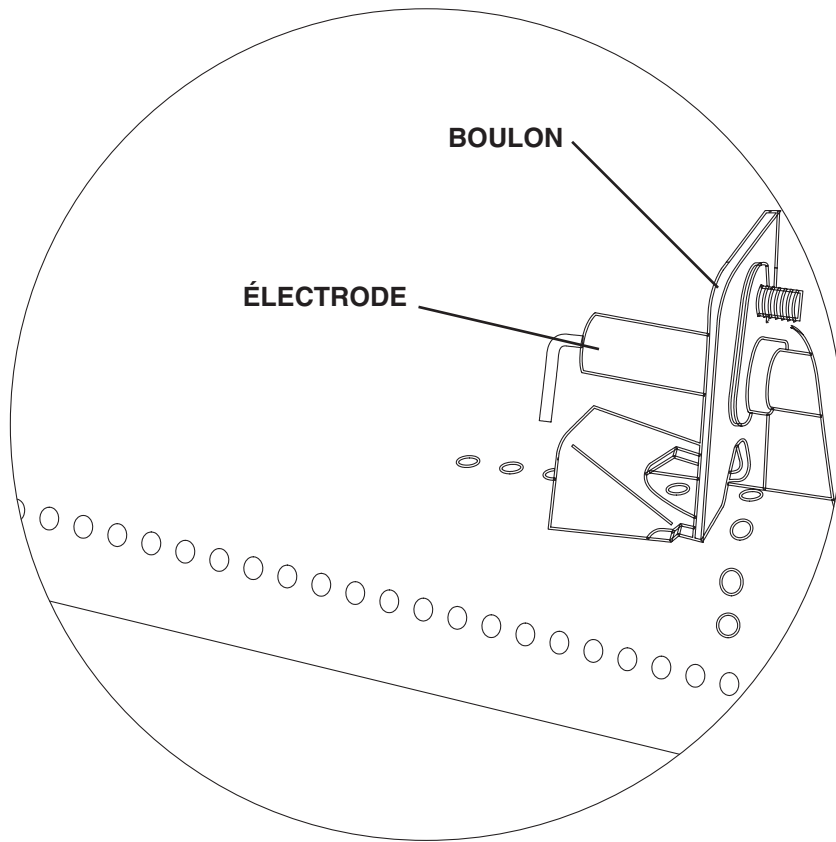
En tenant la connexion de la rampe à gaz en place à l'aide d'une clé ajustable, desserrer le boulon de connection du tuyau à l'aide d'une clé 3/4 po. Remplacer l'assemblage de tuyau/régulateur LP existant avec l'assemblage de tuyaux de 3 m (10 pi) pour le gaz naturel. Serrer la connexion soigneusement à l'aide de deux clés.



## Étape 2

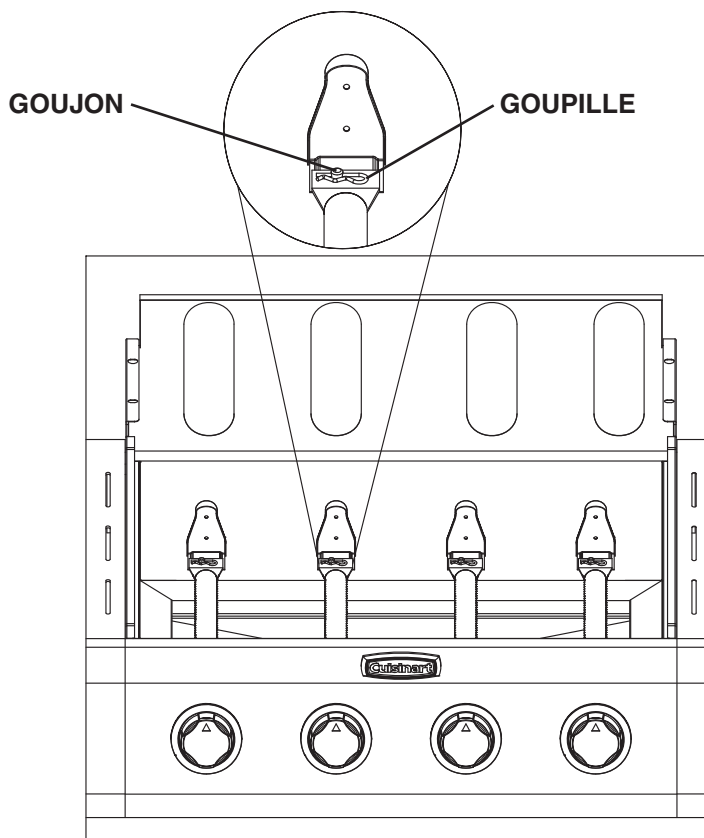
Ouvrir le couvercle et enlever les plaques de réchaud, les grilles de cuisson et les plaques de distribution de la chaleur. Mettre de côté pour utilisation ultérieure.





### Étape 3

Retirez les électrodes de chaque brûleur en dévissant le boulon. Mettez de côté pour une utilisation ultérieure.



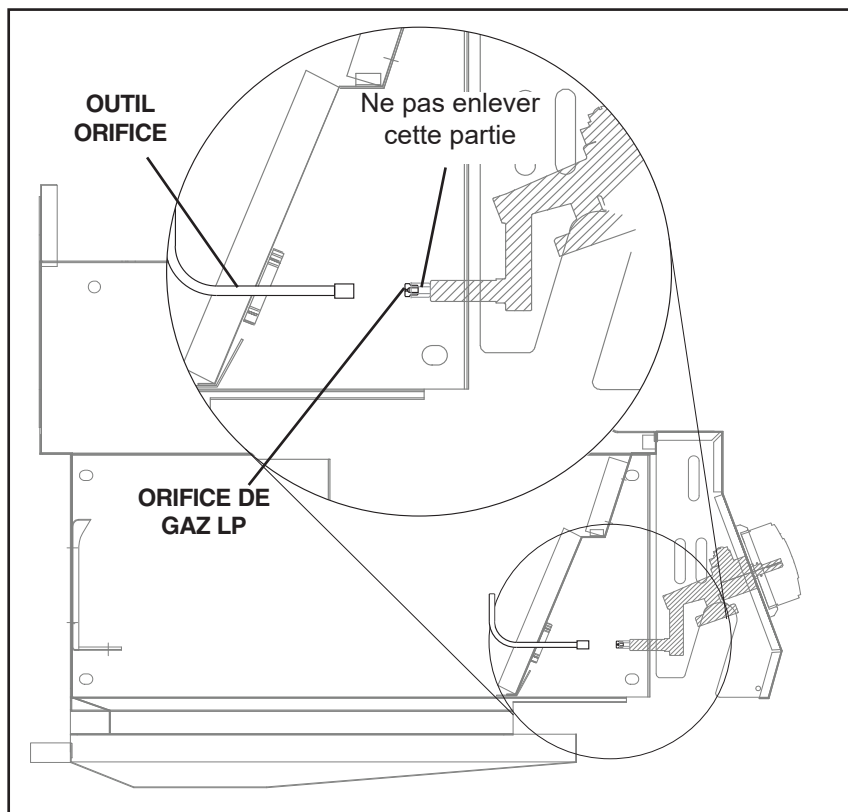
### Étape 4

Retirez les goupilles fendues et les goujons de chaque « pied » de brûleur. Soulevez délicatement chaque brûleur et éloignez-le des ouvertures de la vanne. Mettez de côté pour une utilisation ultérieure.

Note: Tous les orifices du gril sont des orifices doubles (GPL et gaz naturel). Vous ne retirez que la pointe de l'orifice de gaz LP.

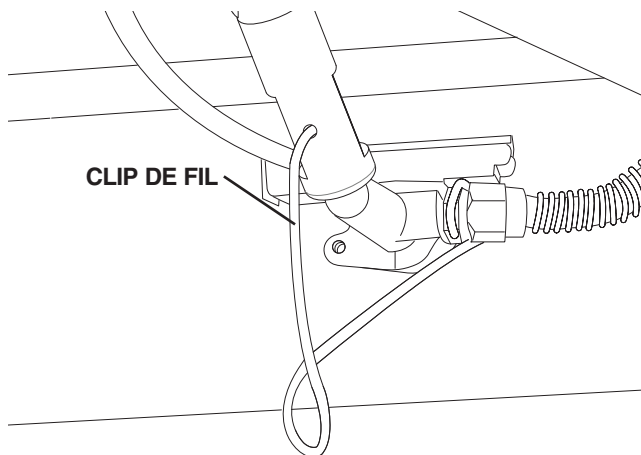
### Étape 5

Utilisez l'outil d'orifice pour retirer l'orifice de la soupape de gaz GPL de chaque soupape de brûleur principal à travers l'orifice du panneau avant de la chambre de combustion.



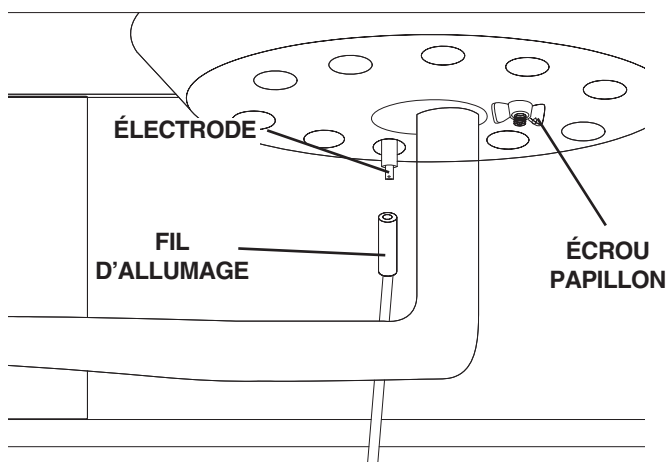
### Étape 6

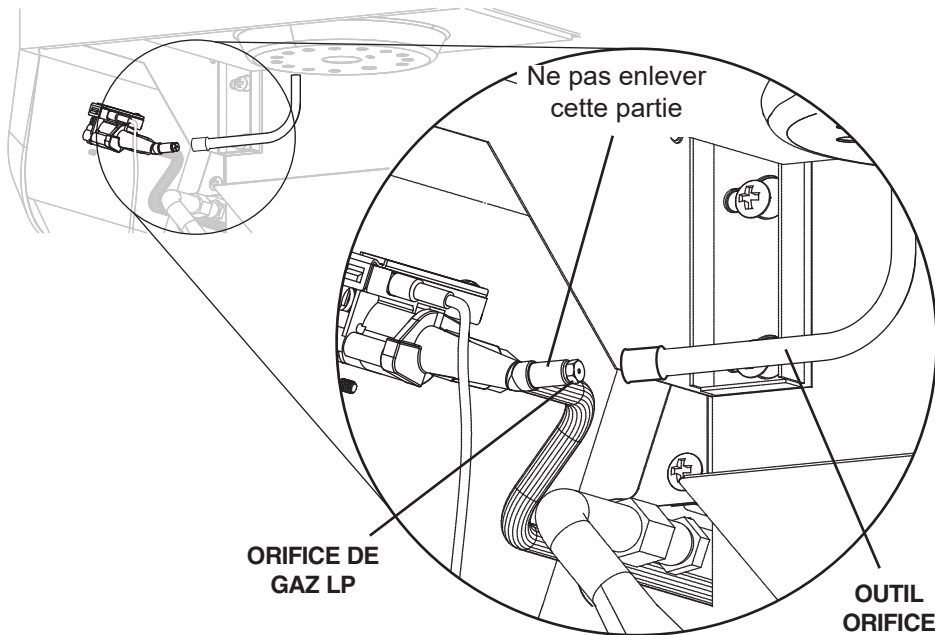
Retirez la grille du brûleur latéral et le clip métallique du tube du brûleur latéral.



### Étape 7

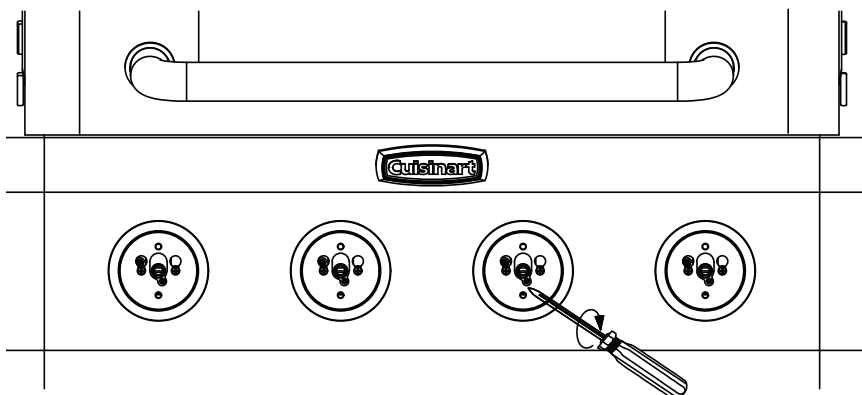
Retirez l'écrou à oreilles du brûleur latéral. Retirer le fil d'allumage de l'électrode. Soulever délicatement et éloigner le brûleur latéral de la buse de la vanne. Mettez de côté pour une utilisation ultérieure.





### Étape 8

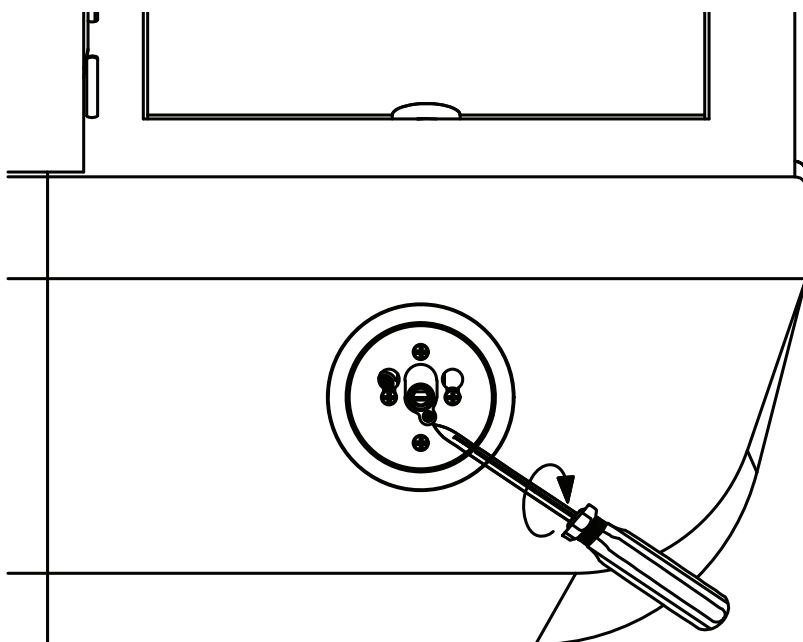
Utilisez l'outil à orifice à gaz pour retirer l'orifice à BP de la soupape du brûleur latéral.



### Étape 9

Assurez-vous que tous les boutons de commande sont sur « ÉTEINT », puis retirez tous les boutons de commande. Serrez la vis sur chaque vanne de contrôle.

Note : Cette vis régule le réglage de flamme basse pour le gaz naturel. Après avoir remplacé la poignée, vous remarquerez qu'ils s'arrêteront au réglage « MOYEN » du cadran. C'est le réglage bas correct pour le gaz naturel. N'essayez pas de tourner le bouton sur « BAS ».



### Étape 10

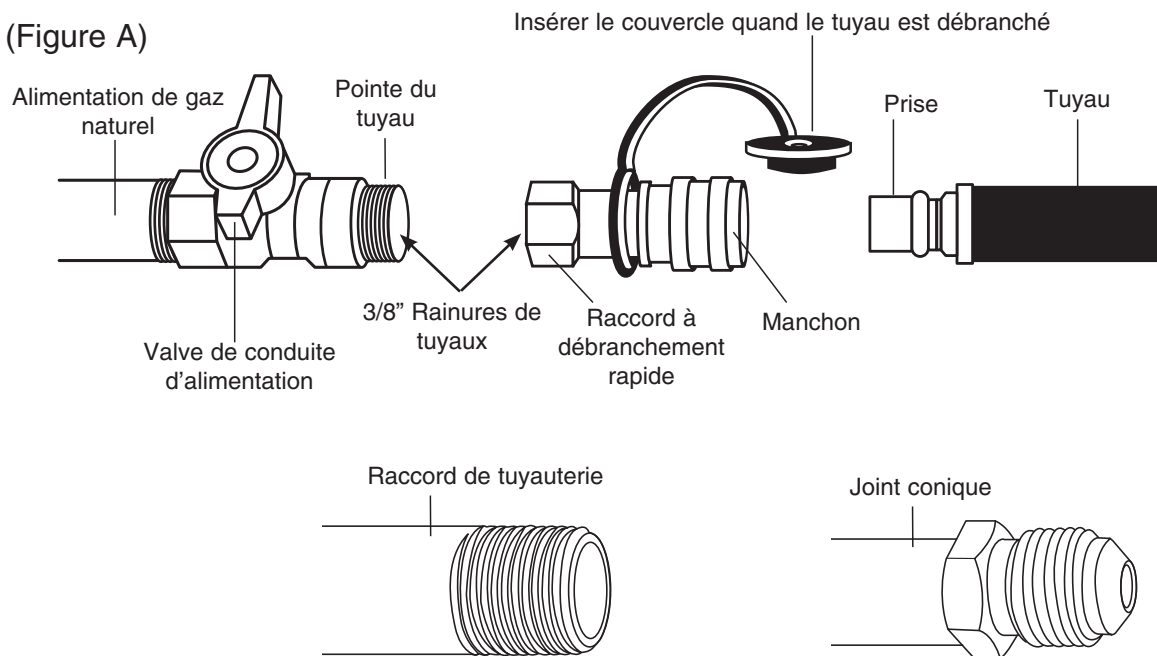
Remettez soigneusement en place tous les brûleurs, en veillant à ce que les ouvertures des brûleurs glissent sur les buses de la vanne. Fixez chaque brûleur principal à l'aide des goujons et des goupilles fendues mis de côté à l'étape précédente. Fixez le brûleur latéral à l'aide de l'écrou à oreilles et fixez de nouveau le clip métallique sur le brûleur latéral qui a été réglé à l'étape précédente. Rattachez les électrodes qui ont été détachées à l'étape précédente. Rattachez tous les boutons de commande.

Remettez en place les tentes chauffantes, les grilles de cuisson et la grille chauffante et la grille du brûleur latéral.

## CONNECTER UN GRILL À UNE SOURCE DE GAZ NATUREL

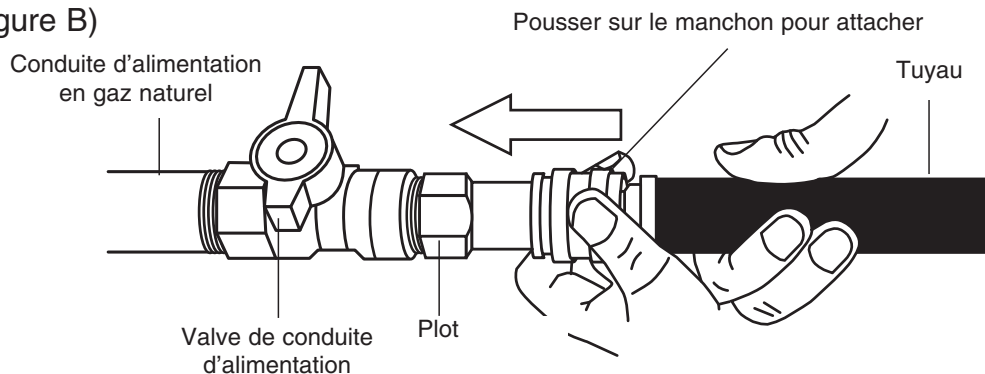
1. Enrober la pointe du tuyau avec du ruban en téflon résistant au gaz ou l'enduire d'une pâte lubrifiante. Serrer le raccord à débranchement rapide sur la pointe du tuyau qui est orientée vers l'alimentation en gaz naturel (figure A).
2. Une fois l'assemblage du grill complété, s'assurer que la valve de l'alimentation en gaz naturel est à la position « FERMÉ » et connecter le tuyau de gaz naturel à l'embranchement. Repoussez le manchon sur le plot (figure B) et insérez la prise jusqu'à ce que le manchon se casse en avant, verrouillant la prise dans le plot. Soyez sûr à l'essai d'étanchéité ces connexions avant l'utilisation.

(Figure A)



Utilisez le raccord de tuyauterie pour raccorder la fixation rapide à la conduite d'alimentation de gaz naturel. NE PAS utiliser le joint conique.

(Figure B)



## DÉCONNECTER VOTRE GRILL D'UNE SOURCE DE GAZ NATUREL

1. Fermez la valve de l'alimentation (position « ÉTEINT »).
2. Pour déconnecter, faire glisser à l'opposé la manche et sortez la prise du raccord

## **⚠ AVERTISSEMENT**

- N'utilisez jamais le gril sans vérifier toutes les connexions et les conduites de gaz pour des fuites. Veuillez consulter la section sur « Inspection des conduites pour les fuites » de ce guide pour connaître la bonne procédure à suivre.
- Veuillez inspecter l'assemblage du tuyau avant chaque utilisation pour vous assurer qu'il n'y a pas d'usure excessive, de détérioration ni de dommage évident. Si vous constatez quelque chose, remplacez l'assemblage avant d'utiliser le gril. Veuillez n'utiliser que les pièces de remplacement fournies par le fabricant.
- Pendant l'assemblage ou la conversion au gaz naturel, assurez-vous qu'il n'y a aucun pli ni dommage sur le tuyau.

## **⚠ AVERTISSEMENT**

### **ÉVITEZ LA TUYAUTERIE EN MÉTAL**

- N'utilisez PAS de tuyauterie en métal ou n'importe quel autre type pour connecter ce gril converti au gaz naturel. Utilisez seulement le tuyau pour gaz naturel spécifié par le fabricant. L'utilisation de tuyauterie en métal ou de tuyauterie en métal vrillé est une pratique dangereuse. Le déplacement du gril peut causer des bris au tuyau en métal.

## **⚠ DANGER**

### **INSPECTION DES CONDUITES POUR LES FUTES:**

Pour prévenir les risques d'incendie ou d'explosion:

- Il NE faut JAMAIS fumer ni laisser de sources d'allumage près de l'endroit où vous effectuez la vérifications des fuites.
- Effectuez la vérification à L'EXTÉRIEUR dans un endroit bien aéré.
- N'utilisez jamais d'allumettes ni de flamme vive pour vérifier s'il y a des fuites.
- N'effectuez jamais la vérification des fuites lorsque le gril est en marche ou encore chaud.

## **⚠ AVERTISSEMENT**

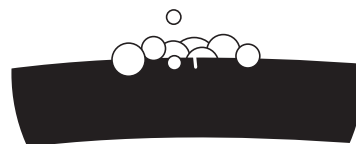
### **QUAND EFFECTUER UNE INSPECTION DES FUTES:**

- Après l'assemblage ou la conversion de votre gril à gaz naturel et avant de l'allumer pour la première fois, même s'il est livré entièrement assemblé.
- À chaque remplacement d'un élément en contact avec le gaz.
- À chaque fois que le gril est déplacé.
- Au moins une fois par an ou si le gril n'a pas servi pendant une période de 60 jours ou plus.

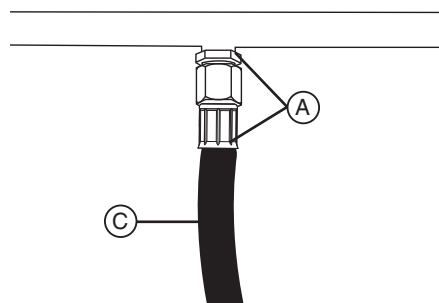
## TEST POUR LES FUITES:

1. Faire un mélange de 50 % eau et 50 % savon à vaisselle en liquide.
2. Ouvrir le couvercle.
3. S'assurer que tous les boutons de contrôle sont dans la position d'arrêt (OFF).
4. S'assurer que le tuyau à gaz est branché fermement à la source de gaz.
5. Ouvrir l'alimentation en gaz à l'endroit de la source.
6. Appliquer le mélange d'eau et de savon comme suit:

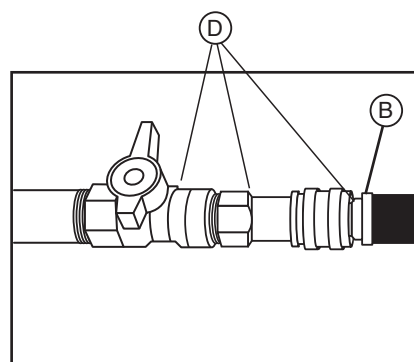
Regardez Pour Voir  
s'il y a Des Bulles



- (A) Sur la connexion du tuyau vers la rampe à gaz.
- (B) Sur les connexions en laiton et l'assemblage de déconnexion rapide.
- (C) Sur la longueur complète du tuyau d'alimentation du gaz.
- (D) Sur le manchon à raccord rapide.



7. Vérifier tous les endroits listés (A à D) pour des bulles indiquant une fuite.
8. Fermer le gaz à la source de l'alimentation.
9. Tourner les boutons de contrôle pour relâcher la pression du gaz dans le tuyau.
10. Tourner les boutons de contrôle à la position d'arrêt (OFF).
11. Serrer les connexions non étanches.



12. Répéter le test avec l'eau savonneuse jusqu'à ce qu'il n'y ait plus de fuites.
13. Fermer le gaz à la source de l'alimentation jusqu'à ce que vous soyez prêt à utiliser votre gril.
14. Rincer le résidu de savon avec de l'eau froide et un linge sec.
15. Attendre 5 minutes pour permettre au gaz de s'évacuer avant d'allumer le gril.

**⚠ MISE EN GARDE: NE PAS** utiliser le gril si vous n'êtes pas en mesure d'arrêter les fuites.

Note: vous devez effectuer le test pour les fuites dans un endroit éclairé pour être en mesure de voir les bulles se développer.

## **⚠ AVERTISSEMENT**

**Le fait de ne pas respecter ces étapes peut causer des dommages matériels, des blessures corporelles, des brûlures graves et la mort. Il faut effectuer ces étapes une fois l'assemblage du gril terminé et avant chaque utilisation. NE faites JAMAIS fonctionner le gril avant d'avoir lu et compris TOUTES les instructions et TOUS les avertissements compris dans ce guide.**



## LISTE DE VÉRIFICATION AVANT L'ALLUMAGE:

- Assurez-vous que le gril est bien assemblé.
- Avant chaque utilisation, inspectez les conduites d'alimentation en gaz pour vérifier la présence de brûlures, de coupures et de marques sur la gaine et que celle-ci est bien connectée. Si une usure excessive est évidente, ou si la conduite est coupée, il faut la remplacer avant d'utiliser le gril.
- Inspectez toutes les connexions et les conduites de gaz pour vous assurer qu'il n'y a aucune fuite. Veuillez consulter le chapitre « Inspections des conduites pour les fuites ».
- Assurez-vous que tous les cordons d'alimentation électrique sont correctement mis à la terre. Gardez tout cordon d'alimentation électrique et toute conduite d'alimentation de carburant éloignés des surfaces chaudes. La conduite d'alimentation doit être située à une distance d'au moins 7,62 cm (3 po) des surfaces chaudes.
- Placez votre gril sur un sol à niveau dans un endroit bien aéré, à une distance sécuritaire des produits combustibles, des bâtiments et des endroits couverts.
- Placez de manière adéquate le plateau à graisse vide sous le trou du drain à graisse à la base du gril pour recueillir la graisse pendant l'utilisation.
- N'obstruez JAMAIS le débit de combustion et l'aération.

### **⚠ AVERTISSEMENT**

**Veuillez lire, comprendre et suivre toutes les instructions et tous les avertissements contenus dans ce guide. N'ignorez aucune des instructions et aucun des avertissements contenus dans les chapitres précédents du guide.**

### **⚠ AVERTISSEMENT**

#### **INSTRUCTIONS D'ALLUMAGE:**

**Veuillez suivre les instructions contenues dans le manuel du propriétaire du gril ou inscrites sur le panneau de commande du gril.**

- 1. OUVREZ LE COUVERCLE DU GRIL avant d'essayer d'allumer un brûleur afin de ne pas laisser les vapeurs s'accumuler à l'intérieur du gril. Une explosion pourrait survenir si le couvercle est laissé fermé.**
- 2. Assurez-vous que tous les boutons de commande sont à la position « ÉTEINT ».**
- 3. NE gardez PAS le corps au-dessus du gril pendant l'allumage.**

Note: observez la hauteur de la flamme à l'allumage : la flamme devrait être d'un bleu-jaune et mesurer de 1 à 2 po de haut quand le bouton de commande du brûleur est à la position « ÉLEVÉ ».

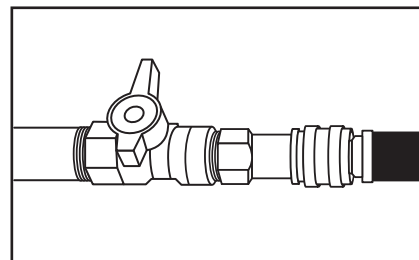


#### **FERMETURE DU GRIL:**

- 1. Fermez le gaz à la source.**
- 2. Remplacez tous les boutons de commande à la position « ÉTEINT ».**

### **⚠ MISE EN GARDE:**

- La source de gaz naturel devrait toujours être à la position fermée quand le grill ne sert pas.
- Veuillez consulter du guide du propriétaire pour des consignes d'utilisation de gril.
- Apposez l'étiquette de la trousse de conversion à l'avant du barbecue pour démontrer que ce dernier a été converti au gaz naturel.



## **WARRANTY**

PROOF OF PURCHASE is required to access this warranty program, which is in effect from the date of purchase. Customers will be subject to parts, shipping, and handling fees if unable to provide proof of the purchase or after the warranty has expired.

If you have any questions or problems, you can call our customer service department at 1-866-212-3150 from 9:00am to 5:00pm Eastern time, Monday through Friday for assistance.

This limited warranty applies to the functionality of the product ONLY and does not cover cosmetic issues such as scratches, dents, corrosion or discoloring by heat, abrasive and chemical cleaners or any tools used in the assembly or installation of the appliance, surface rust, or the discoloration of stainless steel surfaces.

This limited warranty will not reimburse you for the cost of any inconvenience, food, personal injury or property damage.

### **LIMITED WARRANTY**

Cuisinat warrants to the original purchaser that the Natural Gas Conversion Kit is free from defects due to workmanship or materials for 1 Year when installed by a professional service technician.

### **WARRANTY PROVISIONS**

This warranty is non-transferable and does not cover failures due to misuse of improper installation or maintenance.

This warranty is for replacement of defective parts only, We are not responsible for incidental or consequential damages or labor costs.

This warranty does not cover corrosion or discoloration after the grill is used, or lack of maintenance, hostile environments, accidents, alterations, abuse or neglect.

This warranty does not cover damage caused by heat, abrasive and chemical cleaners, or any damage to other components used in the installation or operation of the gas grill.

### **DISCLAIMER OF IMPLIED WARRANTIES; LIMITATION OF REMEDIES**

Repair or replacement of defective parts is your exclusive remedy under the terms of this limited warranty. Manufacturer will not be responsible for any consequential or incidental damages arising from the breach of weather this limited warranty or any applicable implied warranty, or for failure of damage resulting from acts of God, improper care and maintenance, grease fire, accident, alteration, replacement of parts by anyone other than manufacturer, misuse, transportation commercial use, abuse hostile environments (inclement weather, act of nature, animal tampering), improper installation of installation not in accordance with local codes or printed manufacturer instructions.

For replacement parts, call our customer service department at 1-866-212-3150 from 9:00am to 5:00pm Eastern time, Monday through Friday for assistance.

## **GARANTIE**

Une preuve d'achat est nécessaire pour accéder à ce programme de garantie en vigueur à compter de la date d'achat. Les clients seront soumis à des frais de pièces, d'expédition et de manutention s'ils sont incapables de fournir une preuve d'achat ou après expiration de la garantie.

Si vous avez des questions ou des problèmes, vous pouvez appeler notre service à la clientèle au 1-866-212-3150 de 9 h à 17 h, heure de l'Est, du lundi au vendredi pour obtenir de l'aide.

Cette garantie limitée concerne UNIQUEMENT les fonctionnalités du produit et ne couvre pas les problèmes cosmétiques tels que les rayures, les bosses, la corrosion ou la décoloration causée par la chaleur, les nettoyants abrasifs et chimiques ou les outils utilisés lors du montage ou de la décoloration des surfaces en acier inoxydable. La peinture n'est pas garantie et nécessitera des retouches. ROUILLE n'est pas considéré comme un défaut de fabrication ou de matériau.

Cette garantie limitée ne vous remboursera pas le coût de tout inconfort, nourriture, dommage corporel ou dommage matériel.

### **GARANTIE LIMITÉE**

Cuisinat garantit à l'acheteur original que la trousse de conversion au gaz naturel est exempte de défauts de fabrication ou de matériaux pendant 1 an lorsqu'elle est installée par un technicien de service professionnel.

### **DISPOSITIONS DE GARANTIE**

Cette garantie est non transférable et ne couvre pas les pannes dues à une mauvaise utilisation d'une installation ou d'un entretien incorrects.

Cette garantie concerne uniquement le remplacement des pièces défectueuses. Nous ne sommes pas responsables des dommages accidentels ou consécutifs, ni des frais de main-d'œuvre.

Cette garantie ne couvre pas la corrosion ou la décoloration après l'utilisation du gril, le manque d'entretien, les environnements hostiles, les accidents, les modifications, les abus ou la négligence.

Cette garantie ne couvre pas les dommages causés par la chaleur, les nettoyants abrasifs et chimiques, ni ceux d'autres composants utilisés lors de l'installation ou du fonctionnement du gril à gaz.

La peinture n'est pas garantie et peut nécessiter des retouches. Les articles considérés comme consommables sont considérés comme des piles car les piles ne sont pas couvertes par cette garantie.

### **EXCLUSION DE GARANTIES IMPLICITES; LIMITATION DES RECOURS**

La réparation ou le remplacement des pièces défectueuses constitue votre recours exclusif en vertu de la présente garantie limitée. Le fabricant ne sera pas responsable des dommages indirects ou accessoires résultant de la violation des conditions météorologiques, de la présente garantie limitée ou de toute garantie implicite applicable, ni des dommages résultant d'actes de Dieu, d'un entretien ou d'un entretien incorrects, d'un incendie, de la graisse, d'un remplacement, d'un remplacement de pièces par une personne autre que le fabricant, utilisation abusive, utilisation commerciale, utilisation abusive, environnements hostiles (intempéries, nature, altération des animaux), installation incorrecte non conforme aux codes locaux ou aux instructions imprimées du fabricant.

Pour obtenir des pièces de rechange, appelez notre service à la clientèle au 1-866-212-3150 de 9 h à 17 h, heure de l'Est, du lundi au vendredi pour obtenir de l'aide.