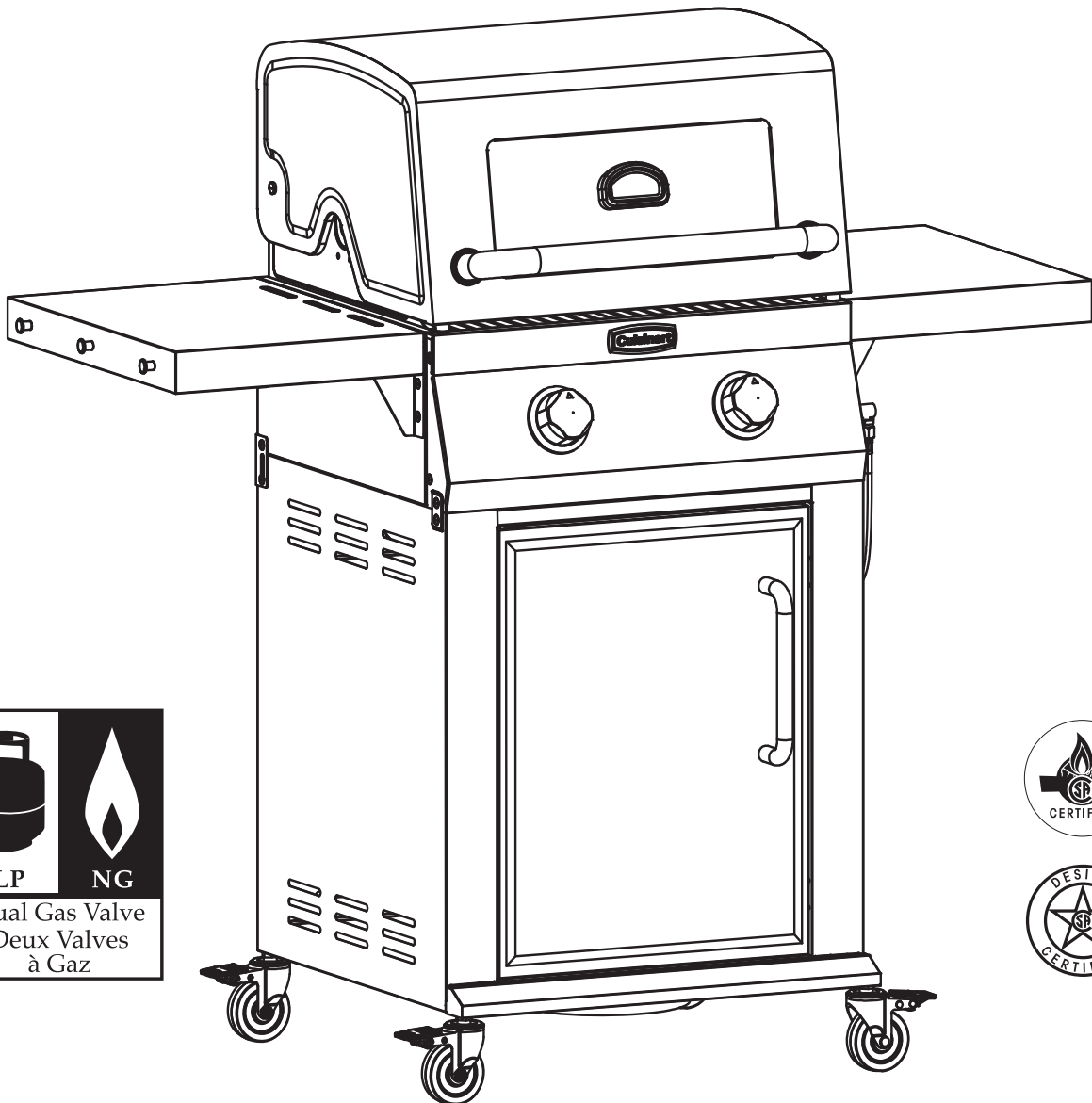


Cuisinart®

Two Burner Gas Grill

ASSEMBLY INSTRUCTIONS

Model GAS2256AF



ASSEMBLY INSTRUCTIONS:

⚠ READ ALL SAFETY WARNINGS & ASSEMBLY INSTRUCTIONS CAREFULLY BEFORE ASSEMBLING OR OPERATING YOUR GRILL.

WE RECOMMEND TWO PEOPLE WORK TOGETHER WHEN ASSEMBLING THIS UNIT.

The following tools are required to assemble this Cuisinart 2 Burner Gas Grill:

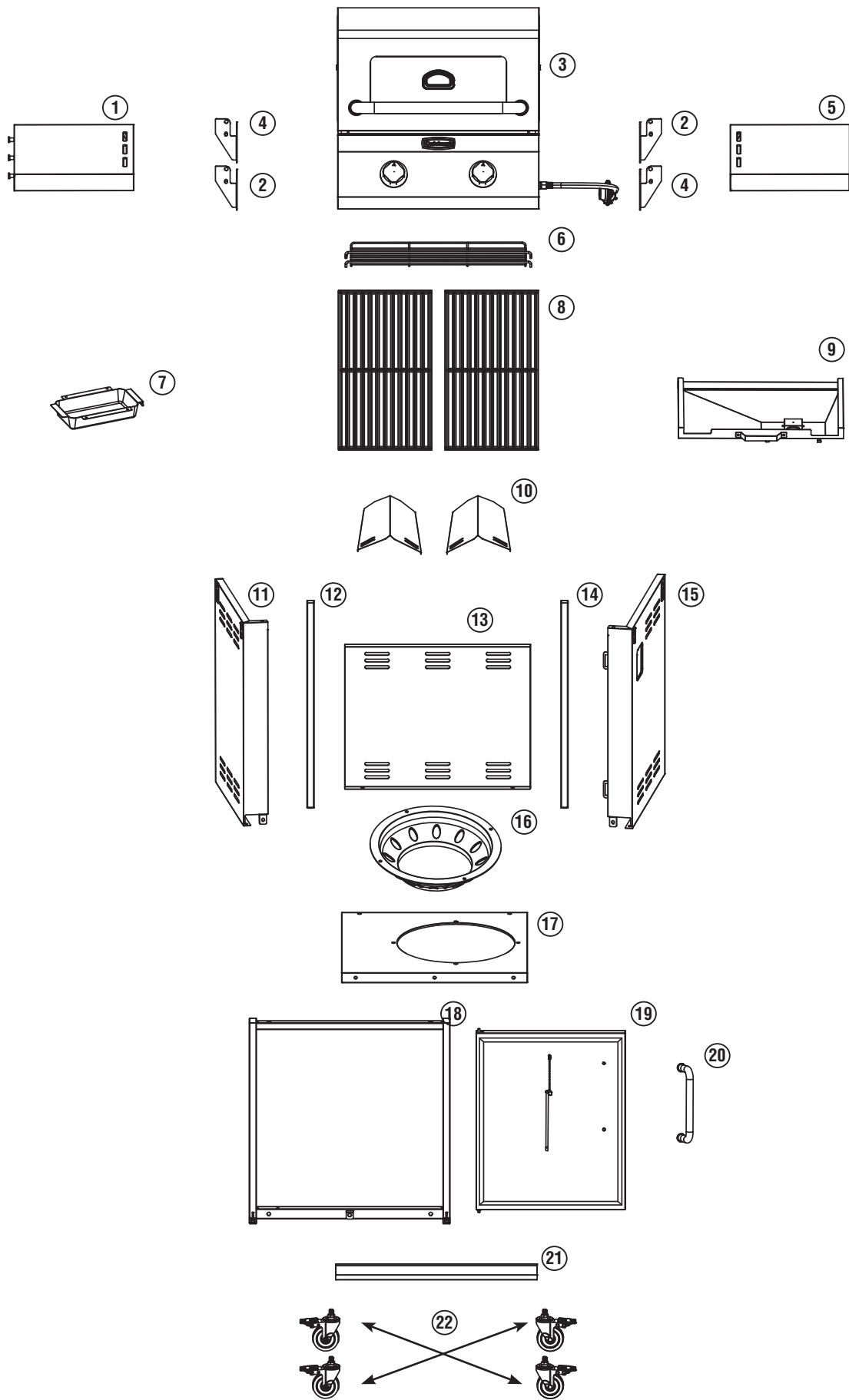
- **Phillips Screwdriver**

PARTS LIST:

①	1	Left Side Table	⑪	1	Left Side Panel
②	2	Left Front & Right Rear Side Table Brackets	⑫	1	Left Rear Leg
③	1	Grill Body	⑬	1	Back Panel
④	2	Right Front & Left Rear Side Table Brackets	⑭	1	Right Rear Leg
⑤	1	Right Side Table	⑮	1	Right Side Panel
⑥	1	Warming Rack	⑯	1	Tank Holder
⑦	1	Grease Cup	⑰	1	Cart Base
⑧	2	Cooking Grates	⑱	1	Door Frame
⑨	1	Grease Tray	⑲	1	Door
⑩	2	Heat Tents	⑳	1	Door Handle
			㉑	1	Front Trim
			㉒	4	Casters

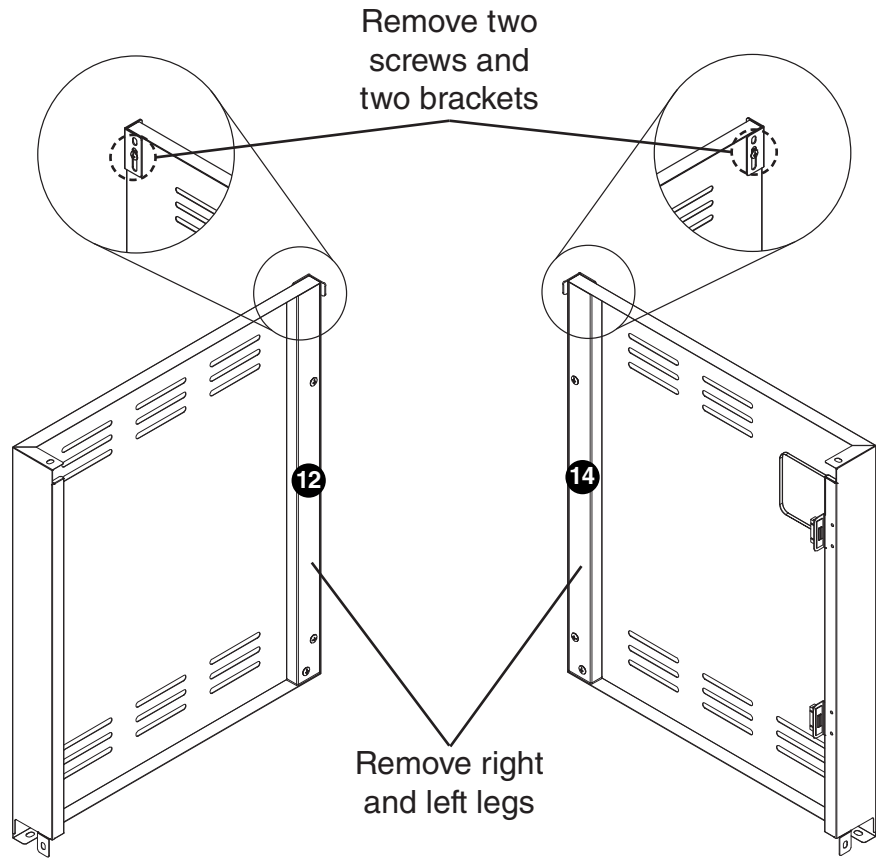
Note: Most hardware is pre-attached to the grill. You may need to loosen some screws partially while others may need to be removed in order to assemble parts. The screws that you remove will be re-used so don't misplace this hardware.

Extra screws are included in a small bag with the owners manual.



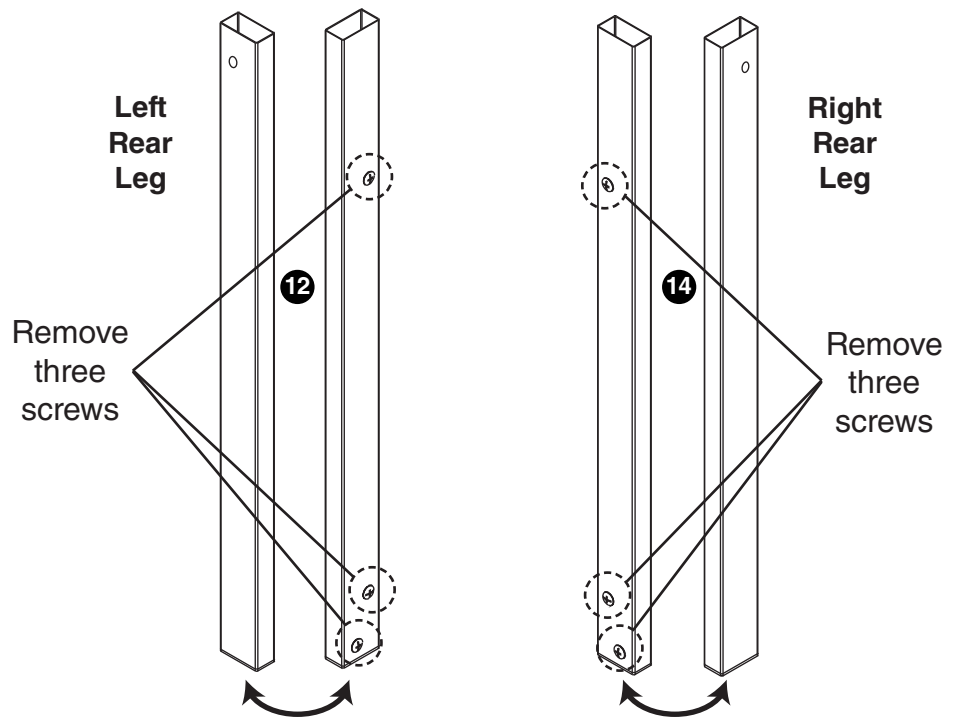
Step 1

- Remove two screws and two brackets from right and left rear legs **12** and **14**.
- Remove right and left rear legs **12** and **14** from side panels.

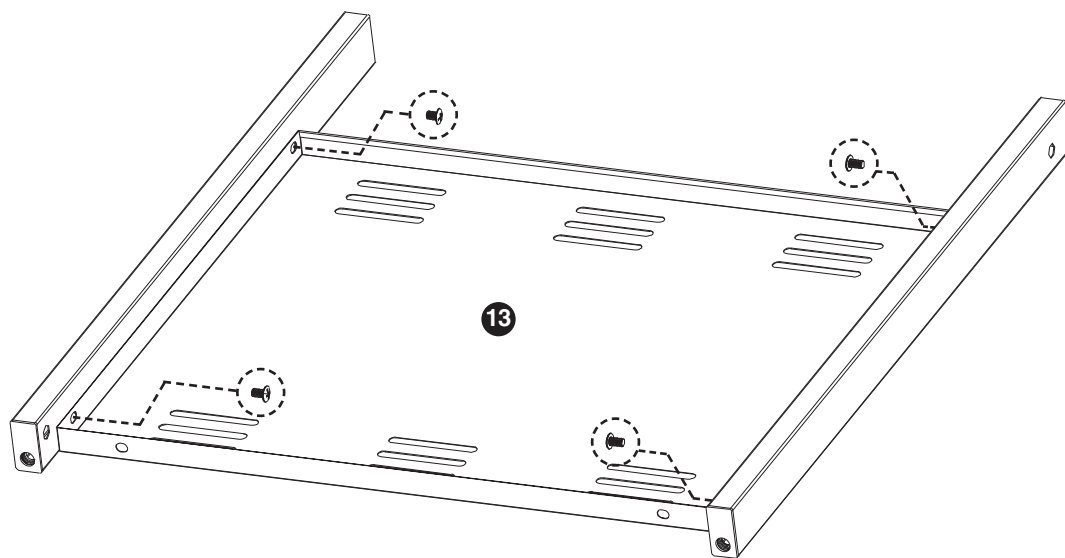


Step 2

- Remove six screws from right and left rear legs **12** and **14**.

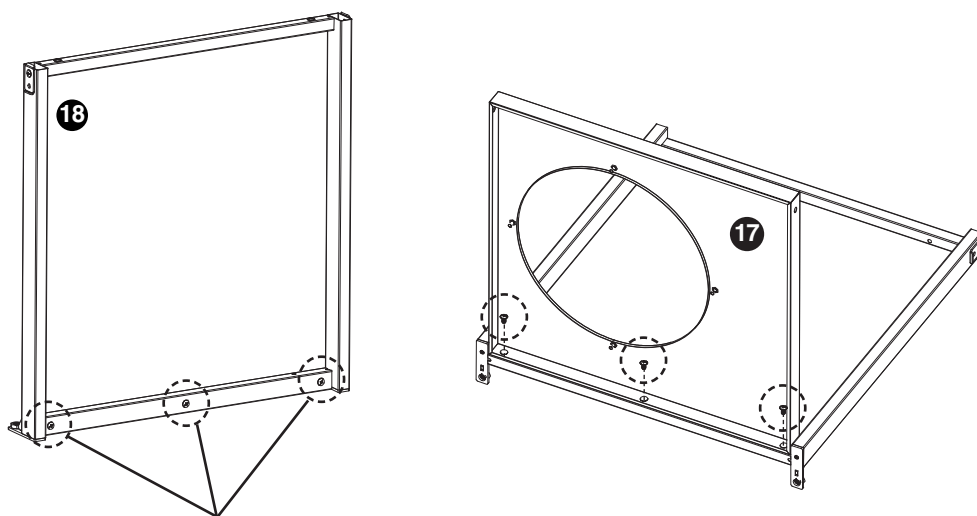


Step 3



- Attach rear legs to back panel **13** using four screws removed in Step 2.

Step 4

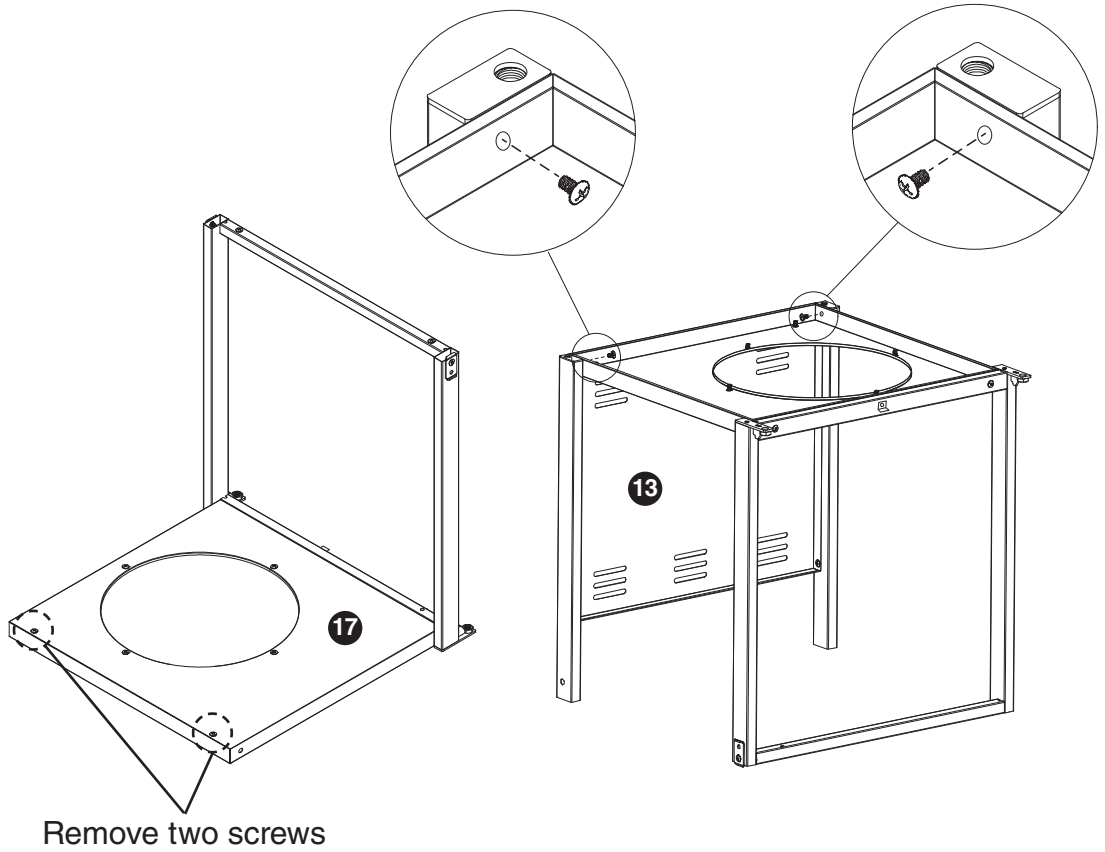


Remove three screws

- Remove three screws from door frame.
- Attach door frame **18** to cart base **17** using three screws.

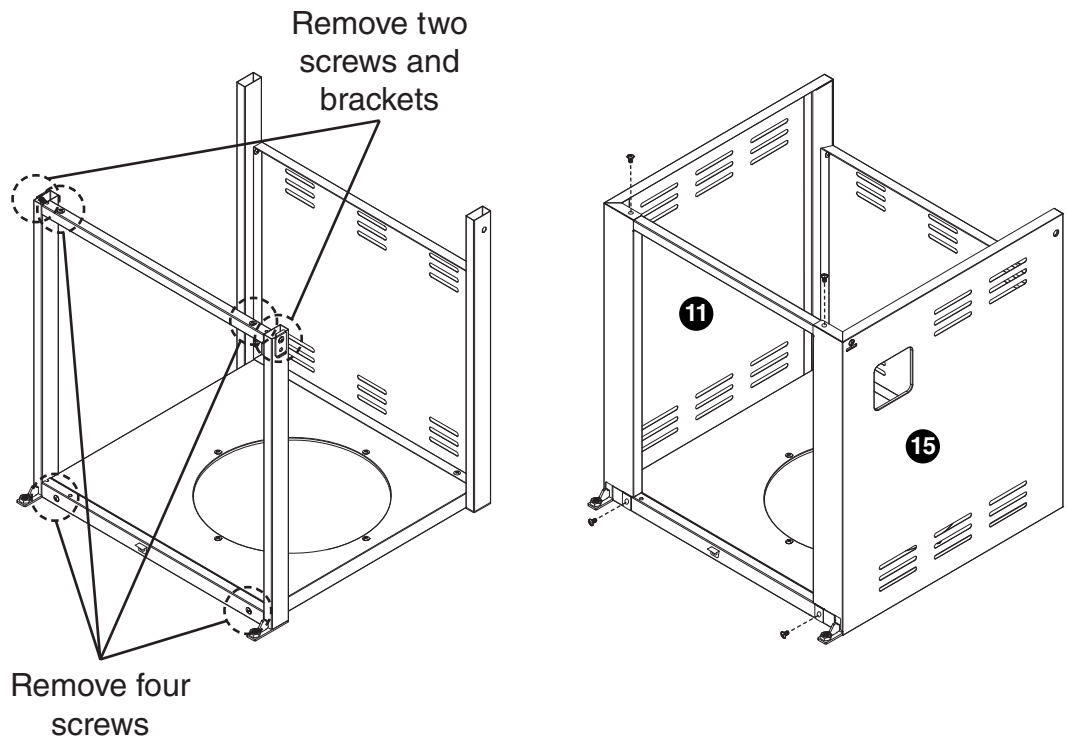
Step 5

- Remove two screws from cart base **17** and attach back panel **13** using four screws. (Two screws removed from Step 2)

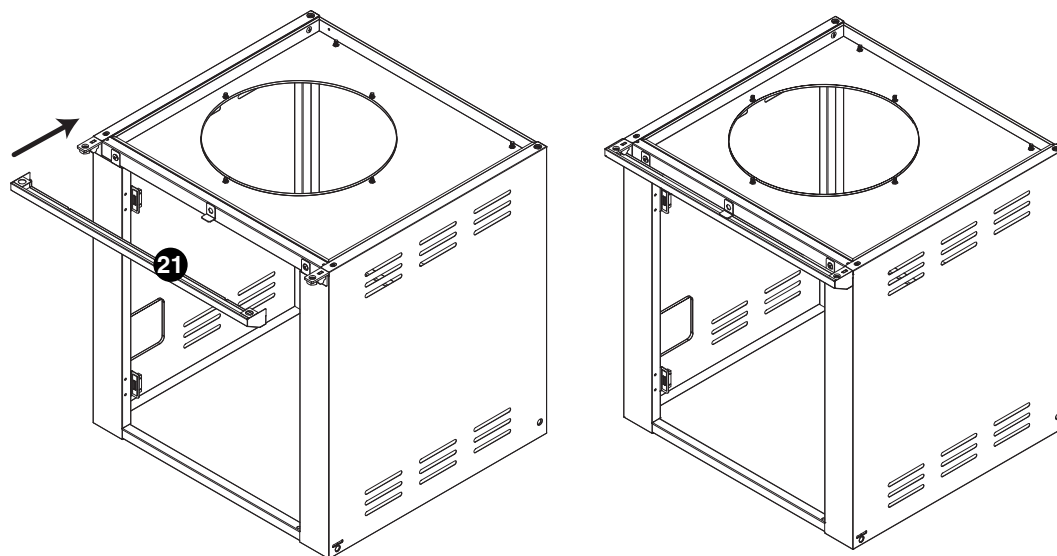


Step 6

- Remove six screws and two brackets from door frame.
- Attach right and left side panels **11** and **15** to door frame using four screws

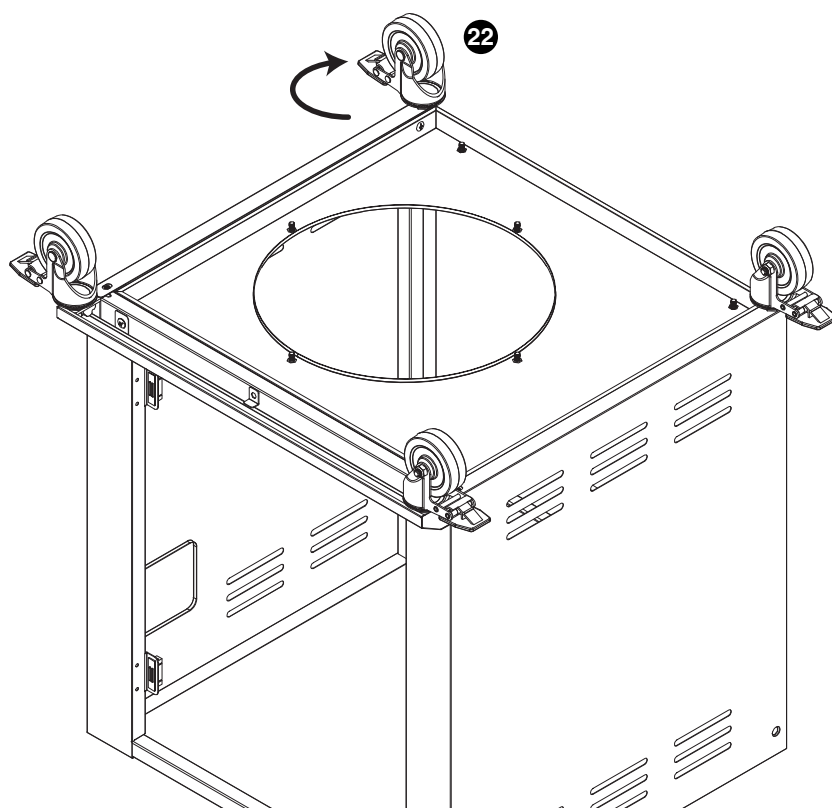


Step 7



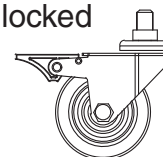
- Attach front trim **21** to door frame.

Step 8

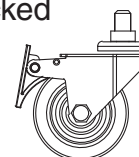


- Lock casters **22**.
- Attach casters **22** to cart base.

Unlocked

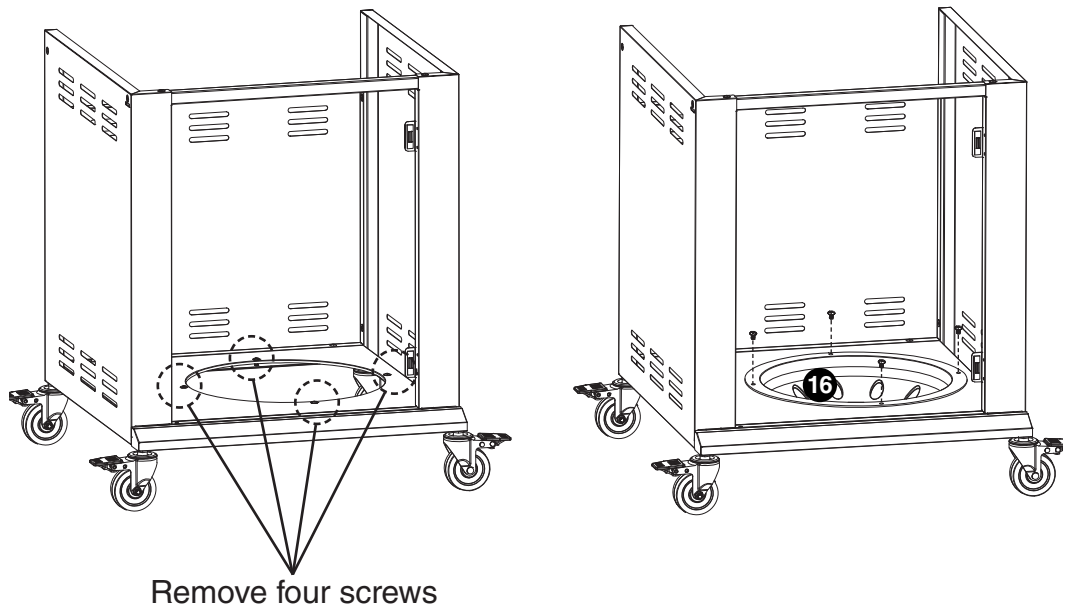


Locked



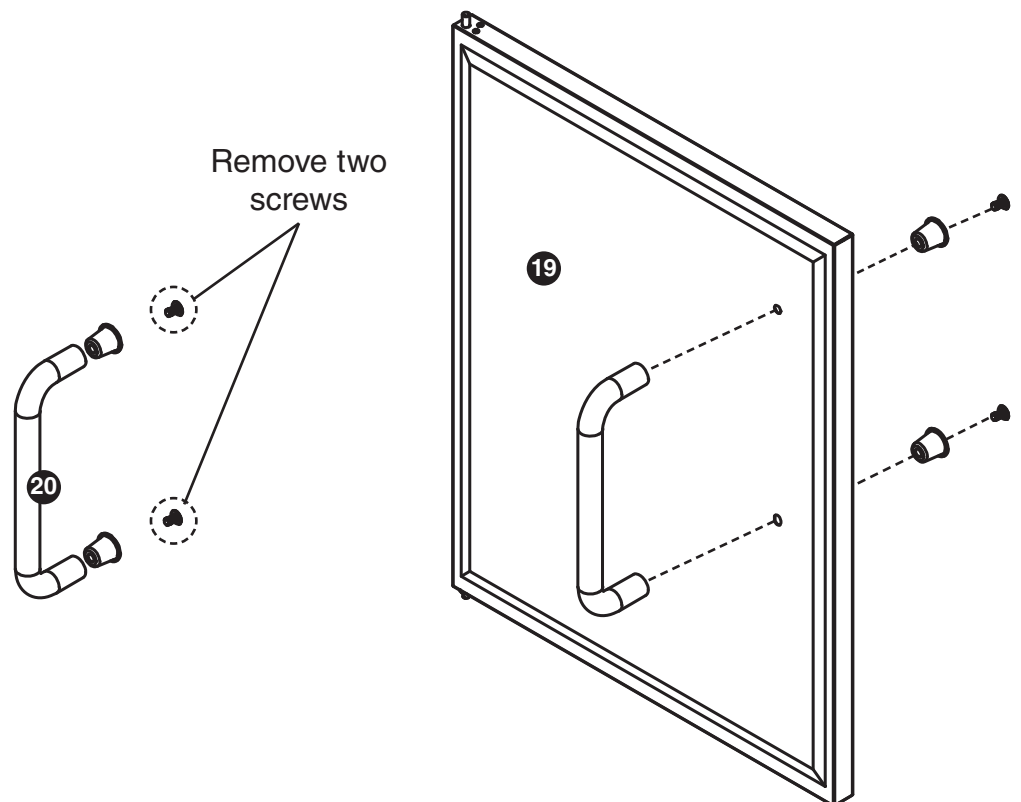
Step 9

- Remove four screws from cart base.
- Attach tank holder **16** using four screws.



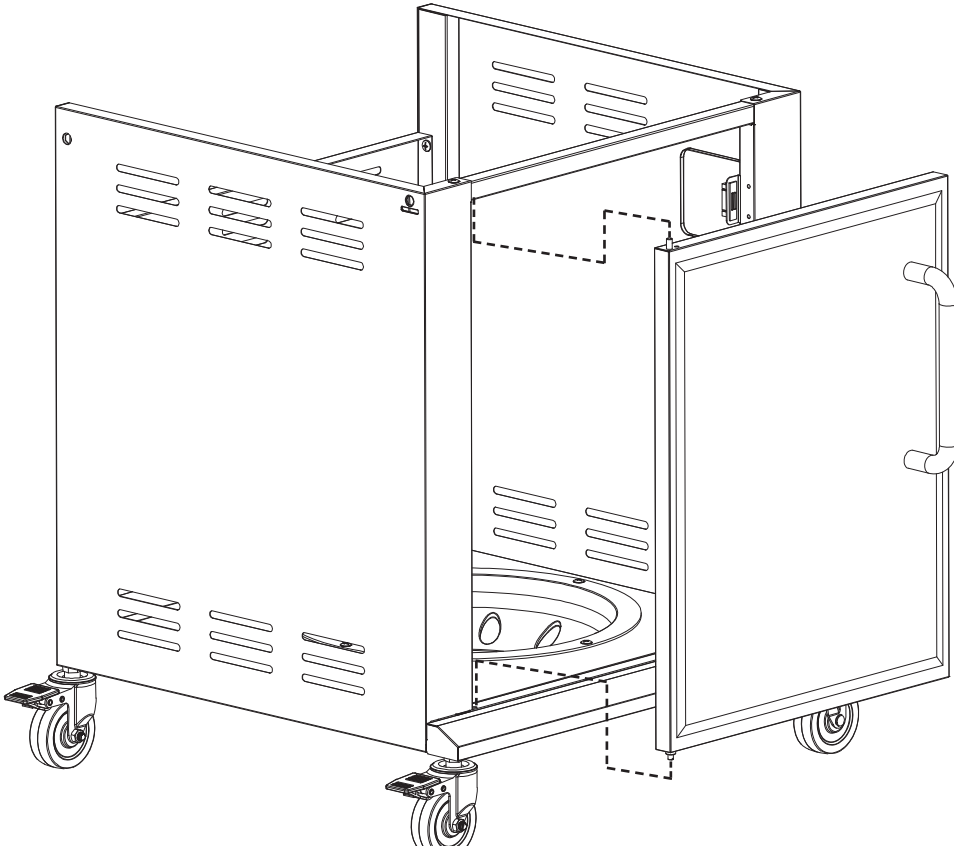
Step 10

- Remove two screws and door spacers from door handle **20**.
- Attach door handle **20** to door **19** using two screws.



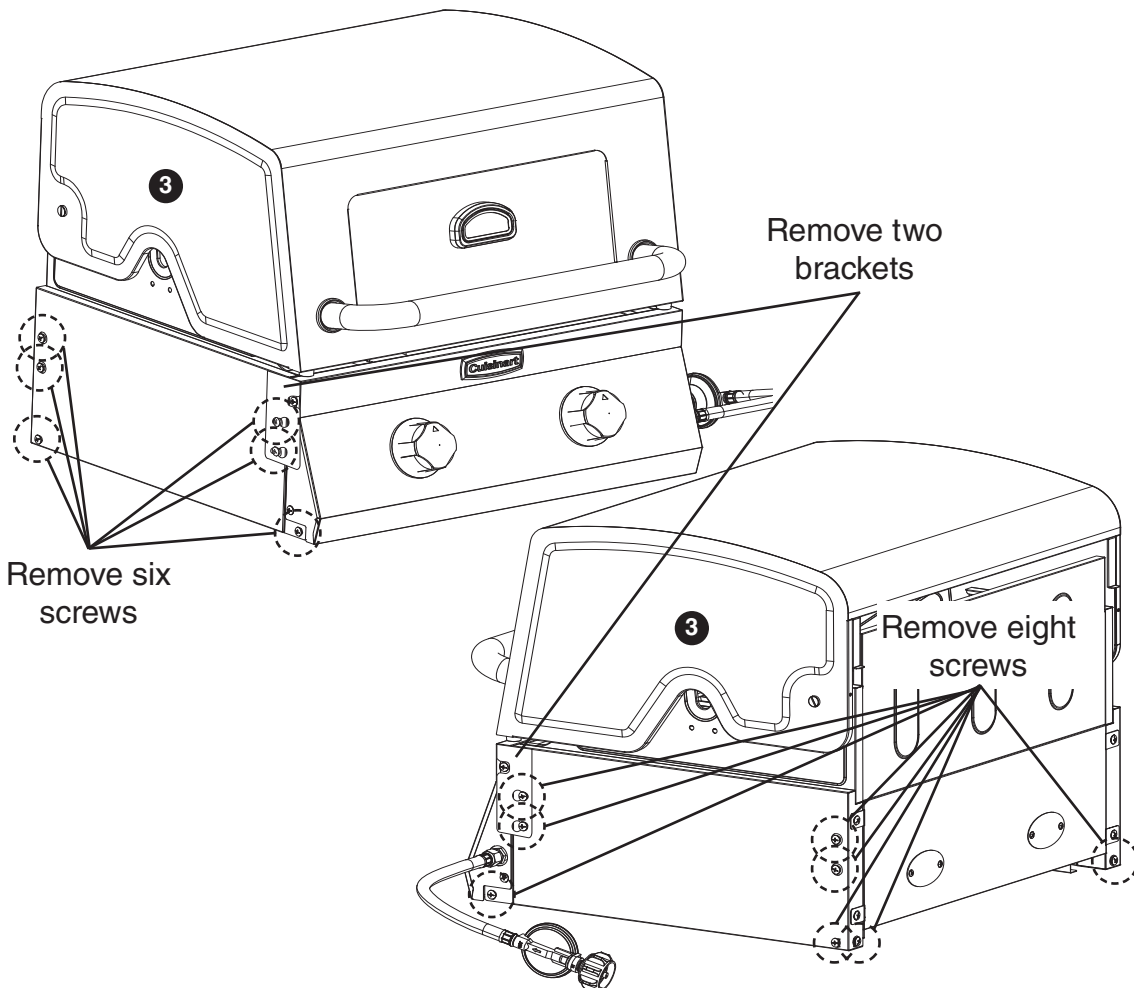
Step 11

- Insert door into door frame.



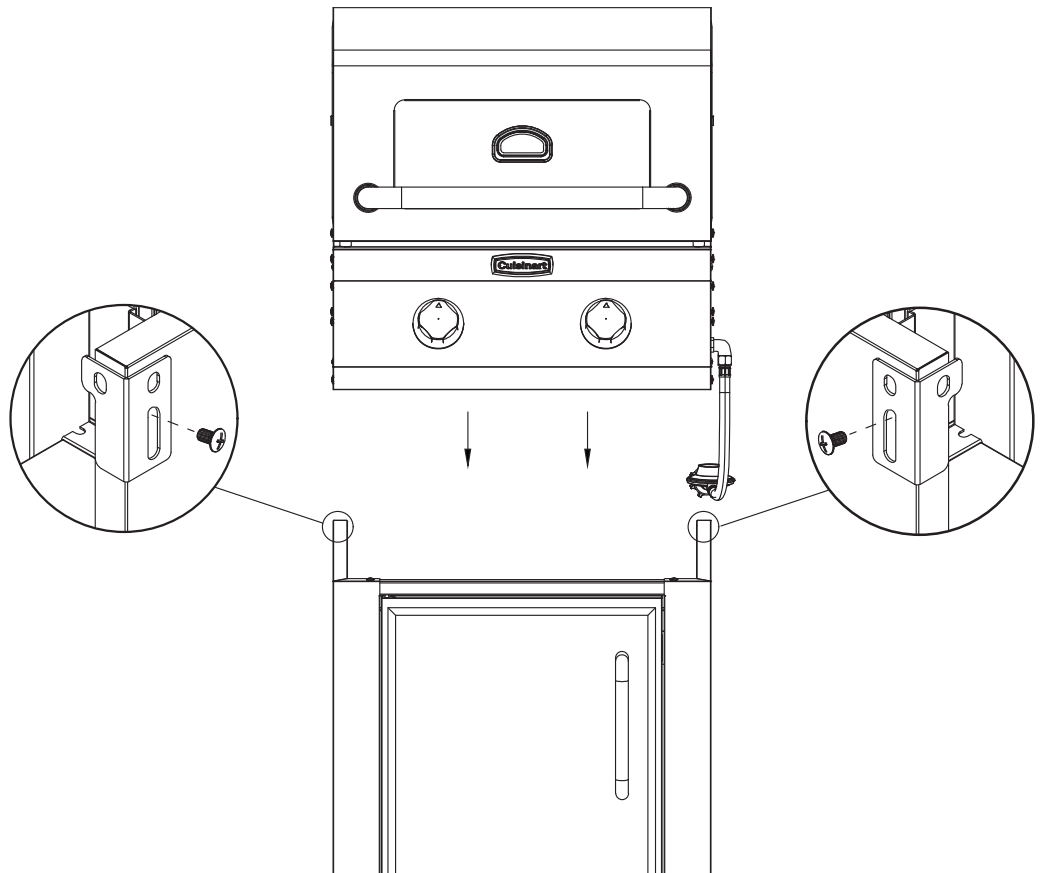
Step 12

- Remove fourteen screws and two protective brackets from sides and back of grill body **3**.



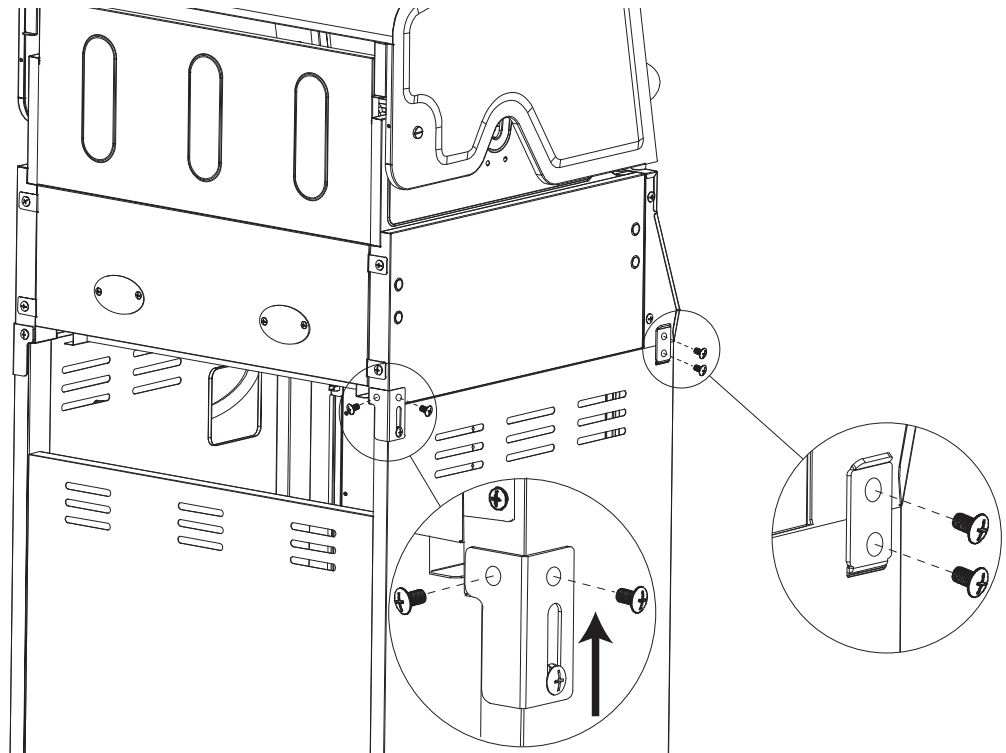
Step 13

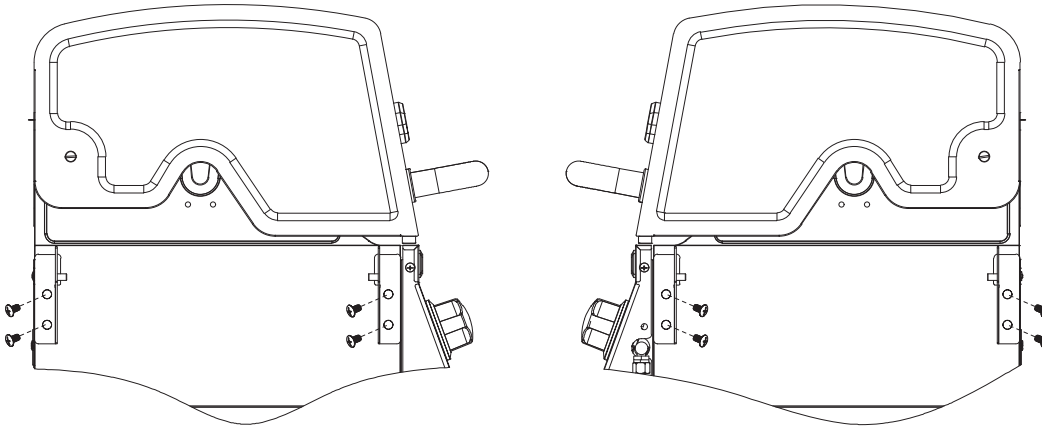
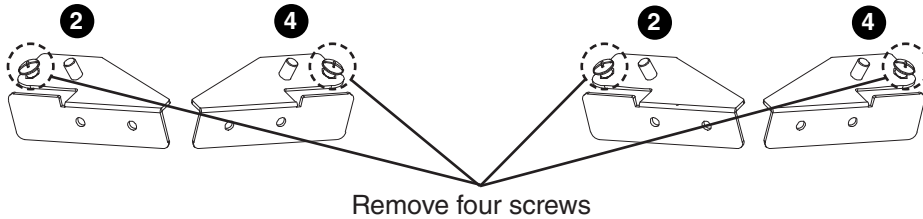
- Install rear brackets on cart assembly removed from Step 1.
- Do not fully tighten screws at this time.
- Set grill body **3** on cart.



Step 14

- Install front brackets and secure with two screws removed from Steps 6 and 12.
- Slide rear bracket up and secure with two screws removed from Step 12.
- Repeat on left side of grill body.



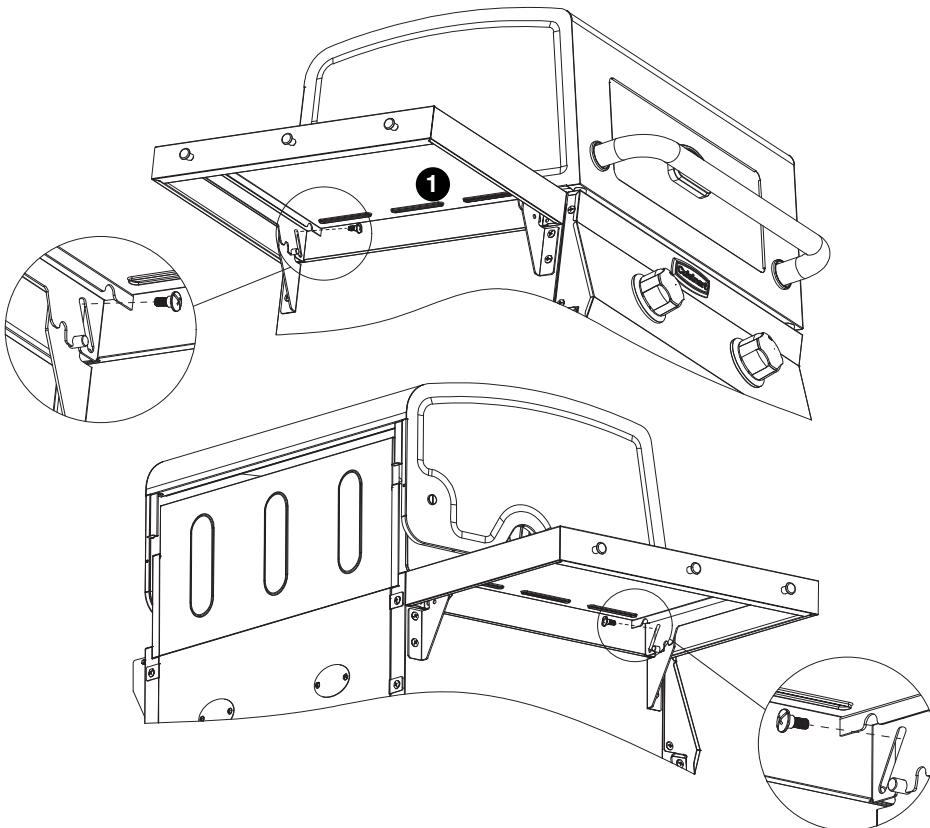


Step 15

- Remove four screws from side table brackets.
- Attach right side table brackets **2** and **4** to grill body using four screws removed from Step 12.
- Attach left side table brackets **2** and **4** to grill body using four screws removed from Step 12.

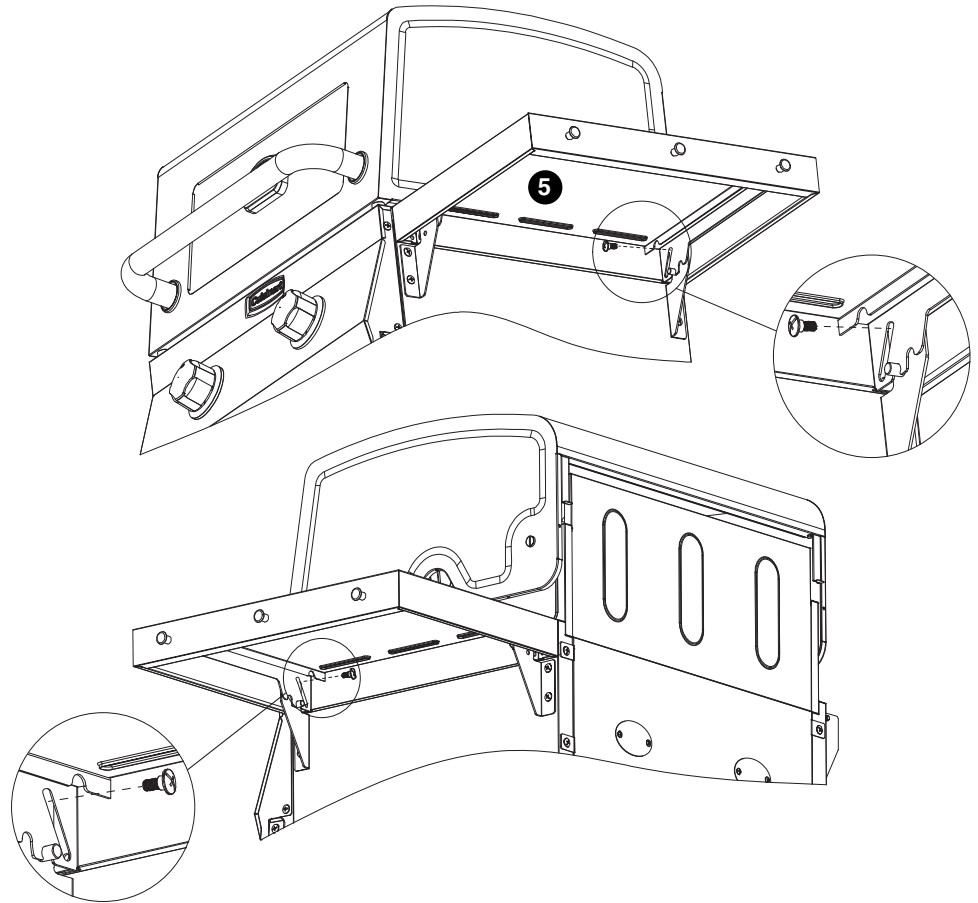
Step 16

- Install left side table **1** using two screws removed in Step 15.



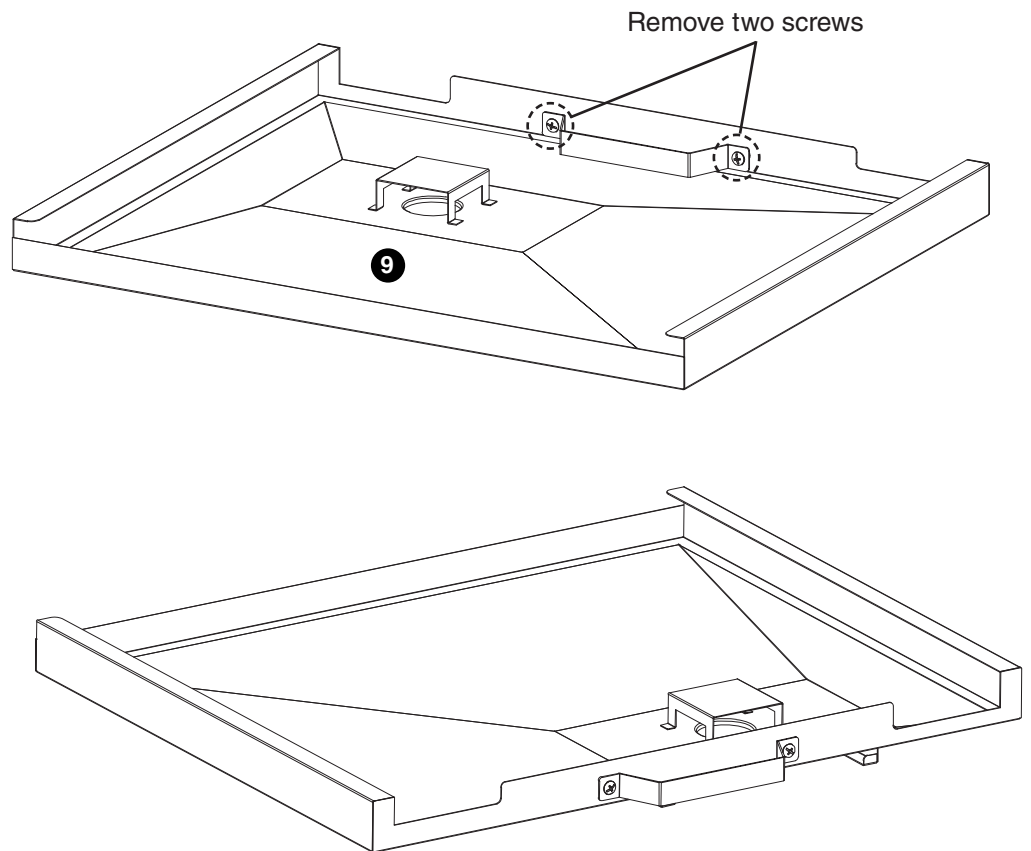
Step 17

- Install right side table **5** using two screws removed in Step 15.



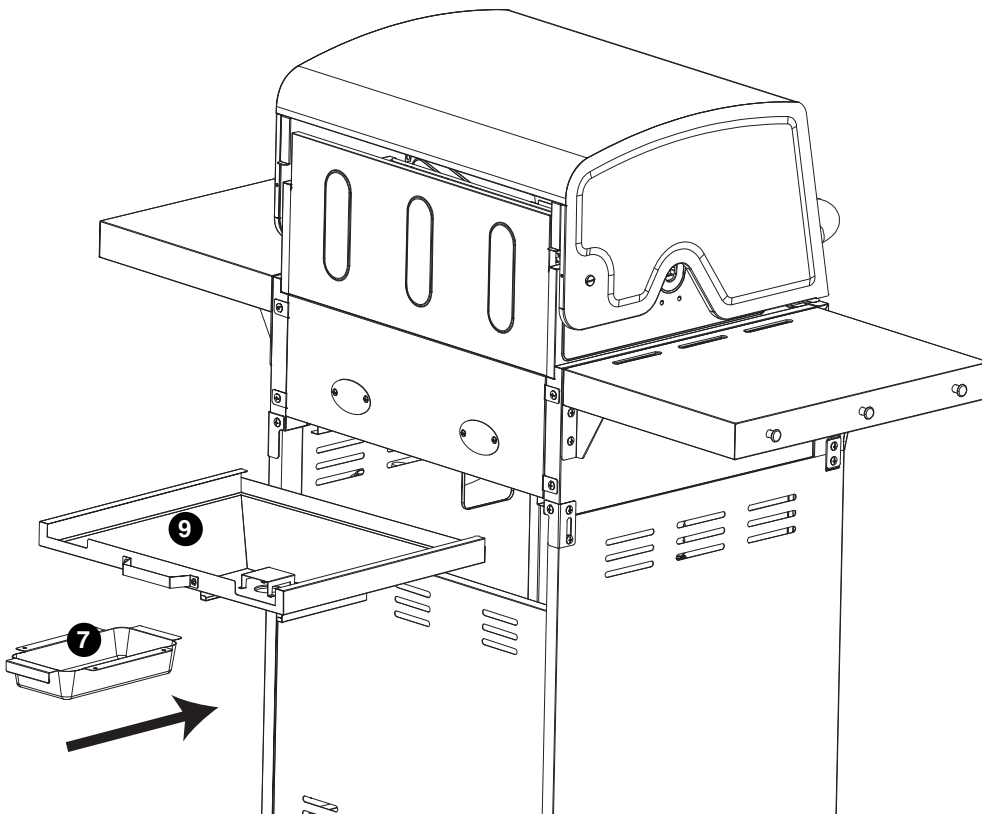
Step 18

- Remove 2 screws on grease tray **9**.
- Move handle to outside and attach with 2 screws



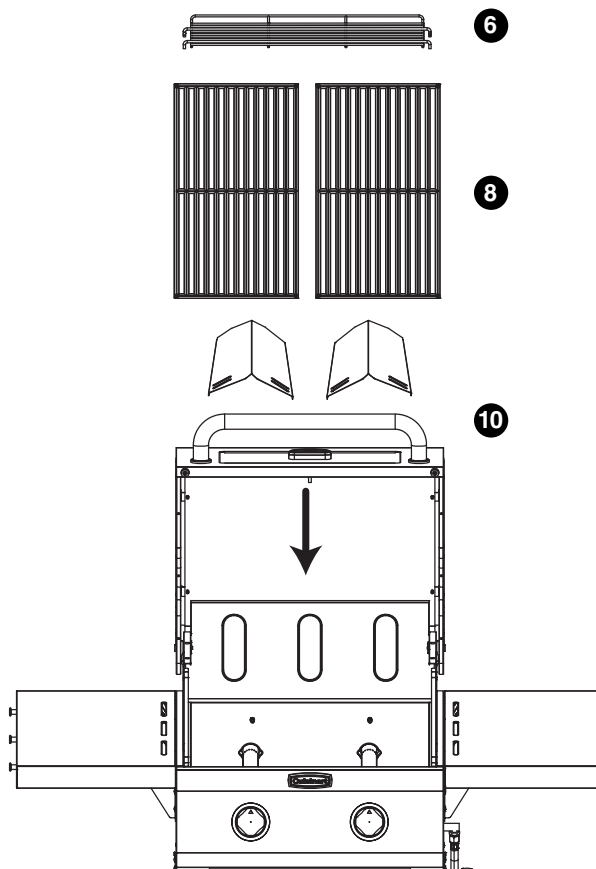
Step 19

- Insert grease tray **9** and grease cup **7**.



Step 20

- Install heat tents **10**, cooking grates **8** and warming rack **6**.



Model GAS2256AF Assembled

