

Cuisinart®

Oakmont Pellet Grill and Smoker

OWNER'S MANUAL OPERATING INSTRUCTIONS

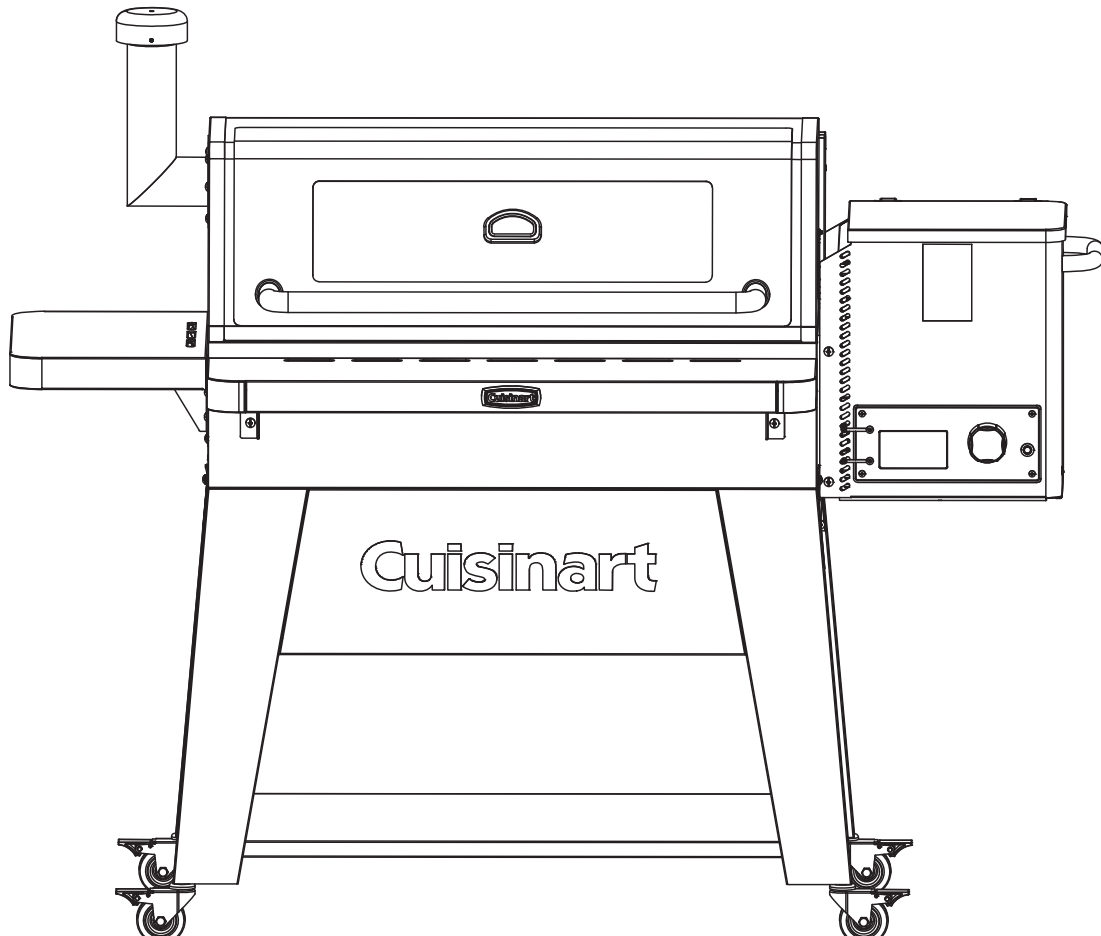
SAVE THIS MANUAL FOR FUTURE REFERENCE

Model SMK2036AS

**NOTICE TO INSTALLER:
LEAVE THESE
INSTRUCTIONS
WITH THE GRILL OWNER
FOR FUTURE REFERENCE.**

⚠ WARNING

PLEASE READ THIS ENTIRE MANUAL BEFORE INSTALLATION AND USE OF THIS PELLET FUEL-BURNING APPLIANCE. FAILURE TO FOLLOW THESE INSTRUCTIONS COULD RESULT IN PROPERTY DAMAGE, BODILY INJURY OR EVEN DEATH. CONTACT LOCAL BUILDING OR FIRE OFFICIALS ABOUT RESTRICTIONS AND INSTALLATION INSPECTION REQUIREMENTS IN YOUR AREA. SAVE THESE INSTRUCTIONS.



IMPORTANT SAFETY WARNINGS

WE WANT YOU TO ASSEMBLE AND USE YOUR GRILL AS SAFELY AS POSSIBLE.

THE PURPOSE OF THIS SAFETY ALERT SYMBOL 

IS TO ATTRACT YOUR ATTENTION TO POSSIBLE HAZARDS AS YOU ASSEMBLE AND USE YOUR GRILL & SMOKER.

WHEN YOU SEE THE SAFETY ALERT SYMBOL, PAY CLOSE ATTENTION TO THE INFORMATION WHICH FOLLOWS!

 **READ ALL SAFETY WARNINGS AND INSTRUCTIONS CAREFULLY
BEFORE ASSEMBLING AND OPERATING YOUR GRILL & SMOKER.**

WARNING

 Do NOT use in humid or wet conditions

WARNING

1. Improper installation, adjustment, service or maintenance can cause injury or property damage.
2. Read all instructions and guidelines carefully and thoroughly before installation, use or service.
3. Failure to follow these instructions could result in fire or electrical shock.

DANGER

 NOT for use in or on boats or recreation vehicles.

DANGER




1. Do not store or use gasoline, liquid propane or any other flammable vapors or liquids in the vicinity of this appliance.


A MAJOR CAUSE OF FIRES IS FAILURE TO MAINTAIN REQUIRED CLEARANCES (AIR SPACES TO COMBUSTIBLE MATERIALS). IT IS OF UTMOST IMPORTANCE THAT THIS PRODUCT BE INSTALLED ONLY IN ACCORDANCE WITH THESE INSTRUCTIONS.

TABLE OF CONTENTS:


General Warnings	3-4
Operating the Grill	5-10
Proper Care and Maintenance	11
Transporting and Storage	12
Grill Cooking Tips	12
Trouble Shooting	13
Wiring Diagram	14
Warranty Information	Back Cover

 **DANGER:** Indicates an imminently hazardous situation which, if not avoided, will result in death or serious injury.

 **WARNING:** Be alert to the possibility of serious bodily injury if the instructions are not followed. Be sure to read and carefully follow all of the messages.

 **CAUTION:** Indicates a potentially hazardous situation which, if not avoided, may result in minor or moderate injury.

CALIFORNIA PROPOSITION 65 WARNING

 **WARNING:** This product can expose you to chemicals, including carbon monoxide, which are known to the State of California to cause birth defects or other reproductive harm.

For more information go to www.P65Warnings.ca.gov

 **WARNING: CONTAINS LEAD. MAY BE HARMFUL IF EATEN OR CHEWED. COMPLIES WITH FEDERAL STANDARDS. KEEP OUT OF REACH OF CHILDREN.**

GENERAL WARNINGS:

⚠ WARNING

When using electric appliances, basic safety precautions should always be followed including the following:

- Operate only per manufacturers instructions.
- Keep all combustible materials at least 60 inches (152.4 cm) away from the grill at all times. Do not use this grill under any overhang or near any combustible structures.
- Minimum clearance from side and back of unit to combustible materials, 60 inches (152.4 cm) from side and 60 inches (152.4 cm) from back.
- DO NOT use on wood decks. Set up this grill on a hard, non-combustible smooth level surface.
- In case of fire, turn the control “OFF”. Unplug the grill from the power source and allow the fire to burn out on its own. Do not use water to try to extinguish a fire.
- Keep a fire extinguisher on hand acceptable for use with electric products. Refer to your local authority to determine proper size and type.
- Creosote – Formation and need for removal. When wood pellets are burned slowly, they produce tar and other organic vapors that combine with expelled moisture to form creosote. The creosote vapors condense in a relatively cool oven flu and exhaust hood of a slow burning fire. As a result, creosote residue accumulates on the flue lining and exhaust hood. When ignited, this creosote makes an extremely hot fire.
- The grease duct should be inspected at least twice a year to determine when grease and/or creosote buildup has occurred.
- When grease or creosote has accumulated, it should be removed to reduce risk of fire.
- Do not attempt to touch cooking surfaces or other hot surfaces. Use handles or knobs.
- To protect against electric shock, do not immerse cord, plugs, or heating element in water or any other liquids.
- Never leave appliance unattended. Hot while in operation. Keep children, clothing and furniture away. Contact may cause burns.
- Unplug this grill from the power source when not in use and before cleaning. Allow appliance to cool down before attempting to clean or service.
- Do not operate any appliance with a damaged power cord or plug, or after the appliance has malfunctioned or been damaged in any manner.
- Do not use accessories or attachments not recommended by the manufacturer, as they may not be compatible with this appliance, and may cause damage or injury.
- Do not place power cord where it may come in contact with hot surfaces, or pose a tripping hazard.
- Do not use this appliance for anything other than its intended use.
- NEVER add cooking pellets to a hot firepot by hand. You could be seriously burned. If the hopper runs out of pellets or your fire goes out while cooking, let the grill completely cool and follow the Initial Lighting Instructions.
- Use only cooking grade wood pellets. Never use heating grade wood pellets as they are not safe for cooking.
- Always store wood pellets away from heat and in a dry location.
- NEVER use gasoline, gasoline-type lantern fuel, kerosene, charcoal lighter fluid, or similar liquids to start or “freshen up” a fire in this appliance. Keep all such liquids well away from the appliance when in use.
- This grill is not for use indoors. Do not use inside a building, garage or any other enclosed area.
- This product is not designed for commercial use.

- This product is not designed for tabletop use. Do not set this product on a tabletop.
- Outdoor extension cords must be used with outdoor use products and are marked with suffix “W” and with the statement “Suitable for Use with Outdoor Appliances.”
- Only use a properly-grounded power source.
- Use only with a properly-grounded GFCI (Ground Fault Circuit Interrupter) household circuit.
- Do not operate this product in rain or wet conditions. Do not allow this product to come in contact with water. Set this product up more than 10’ from any large body of water (swimming pool, lake, pond, etc).
- CAUTION - To reduce the risk of electric shock, keep extension cord connection dry and off the ground.
- Never alter or remove the grounding plugs on the power cord or household outlet.
- Disconnect electric cord from outlet before cleaning.
- Keep appliance clean. See Proper Care and Maintenance section for cleaning.
- Do not operate this grill while under the influence of drugs, alcohol, or while fatigued.
- Do not use in the presence of explosive or flammable gases, vapor or other substances.
- Do not use this grill unless it is completely assembled and all parts are securely fastened and tightened.
- Use only identical replacement parts.
- Do not use this product in high winds.
- Do not attempt to move this appliance while it is in use.
- Always open the grill hood carefully - heat and steam trapped inside the hood can burn.
- Do not use this product for indoor heating, as toxic fumes will accumulate.
- After a period of storage, inspect the grill for abrasion, wear, cuts, or damage to the temperature controller and power cord.
- Always use a meat thermometer to ensure food is cooked to a safe temperature.
- Keep grill covered when not in use - out of the reach of children. Do not clean this product with a water spray or the like.
- Unplug from outlet when not in use and before cleaning. Allow to cool before putting on or taking off parts.
- Do not operate any appliance with a damaged cord or plug or after the appliance malfunctions or is dropped or damaged in any manner.

Follow these guidelines to prevent this colorless, odorless gas from poisoning you, your family or others.

- Know the symptoms of carbon monoxide poisoning; headache, dizziness, weakness, nausea, vomiting, sleepiness and confusion. Carbon monoxide reduces the blood’s ability to carry oxygen. Low blood oxygen levels can result in loss of consciousness and death.
- See a doctor if you or others develop cold or flu-like symptoms while cooking or in the vicinity of this appliance. Carbon monoxide poisoning, which can easily be mistaken for a cold or flu, is often detected too late.
- Alcohol consumption and drug use increase the effects of carbon monoxide poisoning.
- Carbon monoxide is especially toxic to mother and child during pregnancy, infants, the elderly, grills and people with blood or circulatory system problems, such as anemia or heart disease.

⚠ USE CAUTION AND COMMON SENSE WHEN OPERATING YOUR PELLET GRILL & SMOKER. FAILURE TO ADHERE TO THE SAFETY WARNINGS AND GUIDELINES IN THIS MANUAL COULD RESULT IN SEVERE BODILY INJURY OR PROPERTY DAMAGE. SAVE THIS MANUAL FOR FUTURE REFERENCE.

OPERATING THE GRILL:

⚠WARNING

Read and follow all warnings and instructions contained in the preceding sections of this manual.

BREAKING IN YOUR GRILL:

- In manufacturing and preserving the components of your grill, oil residue may be present on the cooking surfaces of your grill.
- Before cooking on your grill for the first time you should follow “Initial Lighting Instructions” to ensure the auger is fully charged with pellets.

PREHEATING GRILL:

- Prior to use, it is recommended that you preheat your grill. This ensures that the cooking grates are at the desired temperatures to sear the food sugars when cooking. Preheat the grill for 15 to 20 minutes or until it reaches the desired temperature before adding food. Close the hood during the preheat period.
- For searing, allow the controller to reach 500°F and then wait an additional 15 minutes for the cooking grates and heat plate to fully heat up.

⚠WARNING

- **DO NOT** leave your grill unattended while in use.
- **DO NOT** move grill when in use. Lock wheels in place to stabilize grill.
- **DO NOT** use water to extinguish flare-ups.

IF AN EXTENSION CORD IS NECESSARY:

- Use a CSA or UL approved 3-prong grounded extension cord that is rated for at least 7-10 Amp and is marked as suitable for outdoor use.
- Keep the power cord connection dry and off of the ground.
- Avoid running the power or extension cord across walkways, driveways, or anywhere where it could pose a tripping hazard.

TURNING ON THE GRILL:

Initial Lighting Instructions (To be used on initial firing or anytime the grill runs out of pellets)

Always allow the auger tube to fully load with pellets to ensure proper lighting of the grill.

- Step 1** Open hood to cooking chamber and remove cooking grates and heat plate. Rotate heat baffle so you can see inside the firepot. Leave hood open.

Step 2 Plug power cord into a GFCI (grounded) outdoor electrical outlet. Use only a (GFCI) protected circuit with this pellet grill; Never remove the grounding plug or use with an adapter of 2 prongs; and Use only extension cords with a 3 prong grounding plug, rated for the power of the equipment, and approved for outdoor use with a W-A marking.

Step 3 Open the pellet hopper lid. Make sure the auger is free from debris and other objects. Turn the grill on by pushing the knob inward and holding until the screen illuminates.

Step 4 In the cooking chamber, place your hand about 3" above the firepot and make sure you can feel air blowing out from the firepot.

Step 5 Look inside the firepot and make sure the ignitor is getting hot. It will take a couple of minutes for the ignitor to get hot. **DO NOT TOUCH THE IGNITOR!** Turn the grill off by pushing the knob inward and holding until the screen powers off and displays "25".

Step 6 Fill the pellet hopper with cooking pellets. **NEVER USE HEATING FUEL PELLETS AS THEY ARE NOT SAFE FOR COOKING.**

Step 7 Push and hold the control knob, the grill will start at 200°F. **NOTE:** During the initial loading of the auger tube, it will take approximately 2 minutes for the pellets to move from the pellet hopper to the firepot

Step 8 When the pellets start falling into the firepot, push the control knob inward and hold until the screen powers off and displays "25".

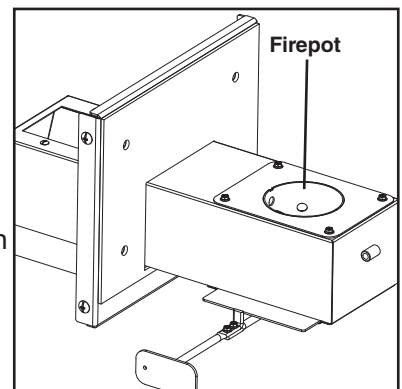
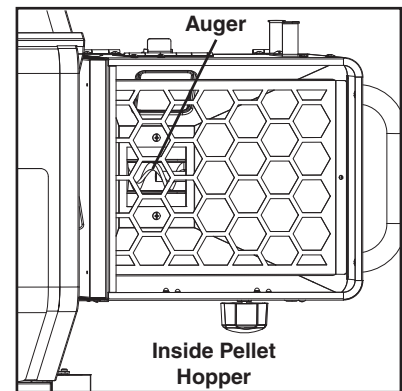
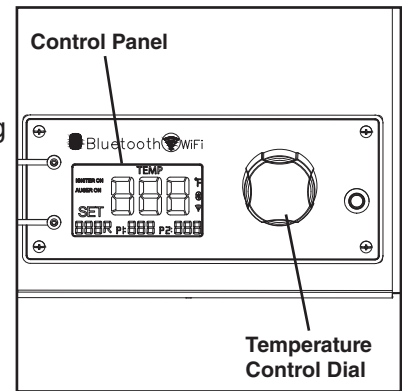
Step 9 Replace heat baffle, heat plate and cooking grates into the cooking chamber.

Step 10 Keep the cooking chamber lid open. Turn the grill on to 200°F by pushing the control knob inward and holding until the screen turns on. You should see smoke coming out of the cooking chamber as the pellets ignite in about 3 to 4 minutes.

NOTE: The ignitor will stay on for the first 8 minutes and then turn off.

Step 11 Close cooking chamber lid and set the temperature control knob to the desired setting. See note below for curing process.

NOTE: Curing the grill is highly recommended before first use. Close cooking chamber lid and set temperature control knob to 400°F and allow grill to cure for 45 minutes. This will burn off any oil or paint residue inside the cooking chamber before cooking for the first time.



SUBSEQUENT LIGHTING INSTRUCTIONS:

Step 1 Open pellet hopper lid and check the pellet level. Add more pellets if necessary.

⚠ WARNING: NEVER add cooking pellets to a hot firepot by hand. You could be seriously burned.

Step 2 Open cooking chamber lid and power on the grill to 200°F. You should see smoke coming out of the cooking chamber as the pellets ignite in about 3 to 4 minutes.

NOTE: Always start the grill on 200°F (the default temperature) setting with the hood open.

Step 3 Close the hood and set the temperature control knob to the desired setting. To change the temperature, push the knob in once and the SET temperature on the screen will flash. Once its flashing, turn the knob to the desired temperature and select by pushing the knob inward again. For best results, preheat the grill for 15 to 20 minutes with the hood closed before placing food in the grill.

Follow these steps if the grill does not ignite or if the fire in the firepot goes out while cooking:

Step 1 Turn the grill off and unplug. Open the hood and remove all food, cooking grates, heat plate and baffle.

⚠ CAUTION: Some parts may contain sharp edges. Wear protective gloves if necessary.

⚠ WARNING: Always use oven mitts/gloves to protect your hands. Metal parts become hot during use. Use extreme caution when handling cooking grates, grease tray and baffle.

Step 2 Open Ash Clean-out to remove all pellets and ash from the firepot. Close ash clean-out.

Step 3 Restart the grill and check that the ignitor is working. The ignitor should get hot after 2-3 minutes and pellets should be falling into the firepot from the auger tube.

Step 4 Wearing oven mitts/gloves, replace the baffle, grease tray and cooking grates.

Step 5 Preheat the grill for 10 to 15 minutes with the lid closed before placing food back in the grill. If this procedure is not successful, see Trouble Shooting section in your owner's manual.

MANUAL START-UP PROCEDURE (To be used if ignitor is not working properly):

Step 1 Plug the power cord into a grounded power source.

Step 2 Check firepot to ensure there is no obstruction for proper ignition. Fill pellet hopper with cooking grade pellets.

Step 3 Open the hood. Remove the cooking grates, heat plate, and rotate the heat baffle to expose the firepot. Place a small handful of pellets into the firepot. Squirt a gelled fire starter, or other appropriate pellet starter, over the top of the pellets. A small amount of solid fuel fire starter, such as those composed of sawdust and wax, or wood shavings, is also recommended. Add another small handful of pellets in the firepot.

NOTE: Do not use gasoline, lighter fluid, kerosene, or petrol for lighting a fire in your grill

Step 4 Light the contents of the firepot using a long match or a long lighter. Allow the starter to burn 3 to 5 minutes. Do not attempt to add more starter into the firepot as this can cause injury.

Step 5 Quickly and carefully replace the heat baffle, heat plate, and cooking grates. Continue on from step 2 of the "Subsequent Lighting Instructions."

TURNING OFF THE GRILL:

- When using higher temp settings, we recommend turning the grill down to the 200°F setting for around 10 minutes before turning off and then allowing it to go through the cool down process. This helps prevent fire from burning in the auger tube and smoke from coming through the pellet hopper.
- To turn the grill off you must push the control knob inward and hold until the screen powers off and displays "25". This "25" is an auto cool down feature that will keep the fan and auger running for 25 minutes. If you don't allow the grill to run the cool down feature it can cause a fire in the auger tube and catch the pellet hopper on fire.
- ALWAYS UNPLUG THE POWER CORD FROM THE WALL OUTLET WHEN YOU ARE NOT USING THE GRILL.

⚠ WARNING: NEVER add cooking pellets to a hot firepot by hand. You could be seriously burned. If the hopper runs out of pellets or your fire goes out while cooking, let the grill completely cool and follow the Initial Lighting Instructions.

COOKING:

- Set temperature controller to desired level and allow temperature to be reached.
- Place food on cooking grill.
- With hood closed, cook until desired internal temperature is reached.
- Use caution when removing food from Pellet Grill. All surfaces are HOT and may cause burns. Use protective gloves or long, sturdy cooking tools to remove food.
- This grill is HOT while in use and will remain HOT for a period of time afterwards. **Use caution.**
- Pellet grills do not provide smoke 100% of the time. Even though you don't see smoke you are still getting smoke flavor.

OPERATING TIPS:

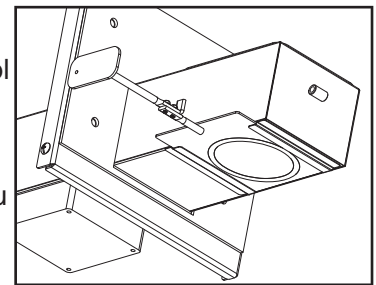
- Your pellet grill should never be moved while it is hot. If you are transporting your grill in a vehicle after cooking on it, make sure the fire is completely out and the grill is cold before placing it in any vehicle. NEVER put water into the firepot. It will jam the auger and can damage the ignitor.
- The pellet grill is designed to operate with the hood closed.
- Make sure the heat baffle is properly installed and always in place during use. The opening of the heat baffle should be pointing left over the firepot. If not seated properly, direct heat and flame could come up out of the firepot and cause a grease fire or grill damage.
- The temperature readout is an approximate and can be affected by the following factors: outside ambient temperature, the amount and direction of wind, the quality of pellet fuel being used, the lid being opened, and the quantity of food.
- When selecting a temperature setting, the auger will feed pellets for several minutes. This will momentarily raise the temperature, but the temperature will decrease and stabilize after 10-15 minutes.
- The auger will not run 100% of the time, it cycles on and off depending on the temperature setting.
- Hot weather can cause the temp to drop very slowly and make it more difficult to cook at lower settings.
- Pellets can hang up in the pellet hopper after cooking for a long period of time. It's important to monitor the pellet level and mix the pellets by hand to ensure they flow into the auger.

Ash Clean-Out:

Before each use, open ash clean-out to get rid of ash and burnt pellets.

1. Pull Ash Clean-Out handle to open ash door.

Note: Make sure Ash Cup is in place before emptying ash. Some ash may stick to the sides and bottom so you may have to use a tool to knock it free and into the ash cup.

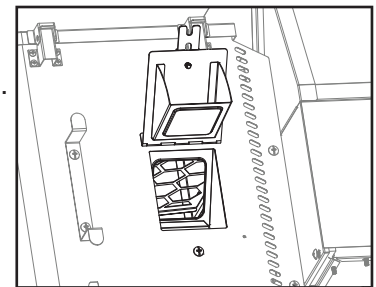


Pellet Hopper Clean-Out:

If grill will be left un-attended for a long period of time, we recommend you remove unused pellets. Always store wood pellets away from heat and in a dry location.

1. Lift Clean-Out handle latch.
2. Swing Clean-Out door up to open.

Note: Make sure to hold a pail or bag in place before emptying pellets.



Meat Probe:

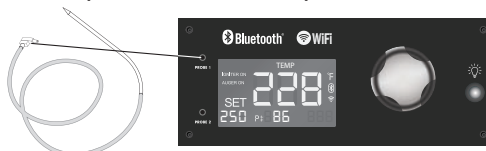
Plug the meat probe into the pellet control panel as shown. You can read the temperature of

Probe 1 and Probe 2 at the bottom of the display screen.

Example: "P1:86" — means Probe 1's temperature is 86 degrees Fahrenheit.

Example: "P2:___" — Displays nothing when the meat probe is not inserted into controller.

Note: Your grill includes one probe. Additional probes can be purchased on our website.



Bluetooth and WiFi App:

1. Your grill is Bluetooth and WiFi capable.
2. The Cuisinart Easy Connect BBQ app allows you to monitor and control the internal grill temperature as well as monitor probe temperatures.
3. The Bluetooth range is around 120 ft. and can vary with obstructions such as interior and exterior walls.
4. To connect to WiFi, please follow our Quick Start Guide.



Easy Connect BBQ



COOK MODE:



- The temperature dial can be changed at any time to increase or decrease the cooking temperature of the grill.
 - The 200°F to 300°F temperature settings are for slow cooking/smoking.
 - The 325°F to 450°F temperature settings are for grilling.
 - The “SEAR” (500°F) temperature setting is for searing.
- Adjust the control knob to a desired temperature. The selected temperature will be in the bottom left hand corner of the digital display.

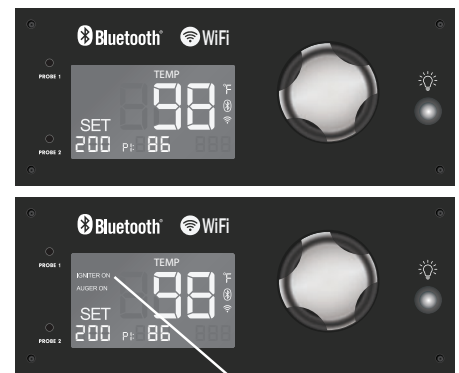
ERROR CODES:

- “ErH” – High Temp Limit indicates that the temperature in the cooking chamber has exceeded 650°F.
- “ErL” – Low Temp Limit indicates that the temperature in the cooking chamber is below 160°F.
- “Err” – Thermocouple may be unhooked or damaged.
- “Er1” – The temperature measured by the on-board temperature sensor of the main control board has exceeded maximum working temperature (158°F)



OTHER CODES:

- “IGNITOR ON” –
 - Will be displayed anytime the ignitor is running:
 - Start up.
 - The temperature is below 120°F in the cooking chamber.
 - When falling the temperature is less than 15% of the set temperature.
- “AUGER ON” –
 - Will be displayed anytime the auger is running.
- “” –
 - Will be solid when you have successfully connected your grill to Wifi.
- “” –
 - Will be solid when you have successfully connected your grill to Bluetooth.



IGNITOR ON

PROPER CARE & MAINTENANCE:

- Remove wood pellets from hopper if grill will not be used for a long period of time. Wood pellets can become soggy due to moisture/humidity and can cause the auger to bind up or not push pellets to burn chamber.
- Disposal of ashes – Ashes should be placed in a metal container with a tight-fitting lid. The closed container of ashes should be placed on a non-combustible floor or on the ground, well away from all combustible materials, pending final disposal. When the ashes are disposed by burial in soil or otherwise locally dispersed, they should be retained in the closed container until all cinders have thoroughly cooled.
- It's important to keep your grill always covered when not in use to avoid rain getting inside the grill and damaging the grill and/or cause excessive corrosion. The grill and pellets must be kept dry in order to function properly.
- Always keep your grill unplugged until you are ready to use it.
- Wash cooking grates and heat distribution plate with hot, soapy water, rinse well and dry. Lightly coat cooking grill with vegetable oil or vegetable oil spray.
- Clean inside and outside of grill by wiping off with a damp cloth. Apply a light coat of vegetable oil or vegetable oil spray to the interior surface to prevent rusting.
- Never apply paint to the interior surface. Rust spots on the interior surface can be buffed, cleaned, the lightly coated with vegetable oil or vegetable oil spray to minimize rusting.
- Depending on use, periodically remove the cooking grates, grease tray and heat distribution plate to clean the ash from in and around the firepot. Make sure the grill is cold before starting this procedure.

HELPFUL HINTS:

- If you pre-cook meat or poultry, do so immediately before grilling.
- Never defrost meat at room temperature or on a counter top.
- Refrigerate leftovers within 2 hours of taking food off the grill.
- For additional information, please phone the USDA's toll free Meat & Poultry Hotline at 800-535-4555.

CLEANING AND MAINTENANCE:

- Keep the appliance free and clear of combustible materials, gasoline and other flammable vapors and liquids.
- For safe grilling and peak performance of your grill, perform these checks at least twice per year or after extended periods of storage.
- Be sure to tighten up all hardware (nuts, bolts, screws, etc.) at least twice per year.
- **⚠ CAUTION:** Some parts may contain sharp edges. Wear protective gloves if necessary.
- Remove the cooking grates, from inside your grill. Use a brush with hot water and detergent to remove excess residue. NEVER use a commercial oven cleaner. Rinse completely with water. Towel dry and replace all components as described in the assembly instructions.

TRANSPORTING AND STORAGE:

WARNING

- **Never move a grill when it is hot or when objects are on the cooking surfaces.**
- **Never store flammable liquids or spray canisters under or near the grill.**
- **DO NOT extinguish grease fires using water.**

BEFORE STORING YOUR GRILL:

- Clean all surfaces.
- If storing the grill outdoors, close the wood pellet lid and cover the grill with a cover for protection from the weather.
- If the grill is stored outside during the rainy season, care should be taken to ensure that water does not get into the pellet hopper. Wood pellets, when wet, expand greatly and will jam your auger.

GRILL COOKING TIPS:

CLEANLINESS:

- Always wash hands thoroughly with soap and hot water prior to handling food and after handling raw meat, uncooked poultry or seafood.
- When using a platter to carry raw meat, uncooked poultry or seafood to the grill, make sure to wash the platter thoroughly with soap and hot water before placing cooked foods back on the platter or use different platters for raw and cooked foods.
- Never use the same utensils when handling raw meat, uncooked poultry or seafood unless you wash the utensils thoroughly with soap and hot water.
- Never re-use marinade from raw meat or uncooked poultry on foods that have been cooked and are ready to be served.

GRILLING TO PROPER TEMPERATURE:

- Use a meat thermometer to be sure food has reached a safe internal temperature.
- The US Department of Agriculture recommends the minimum temperature be reached for the following food items:

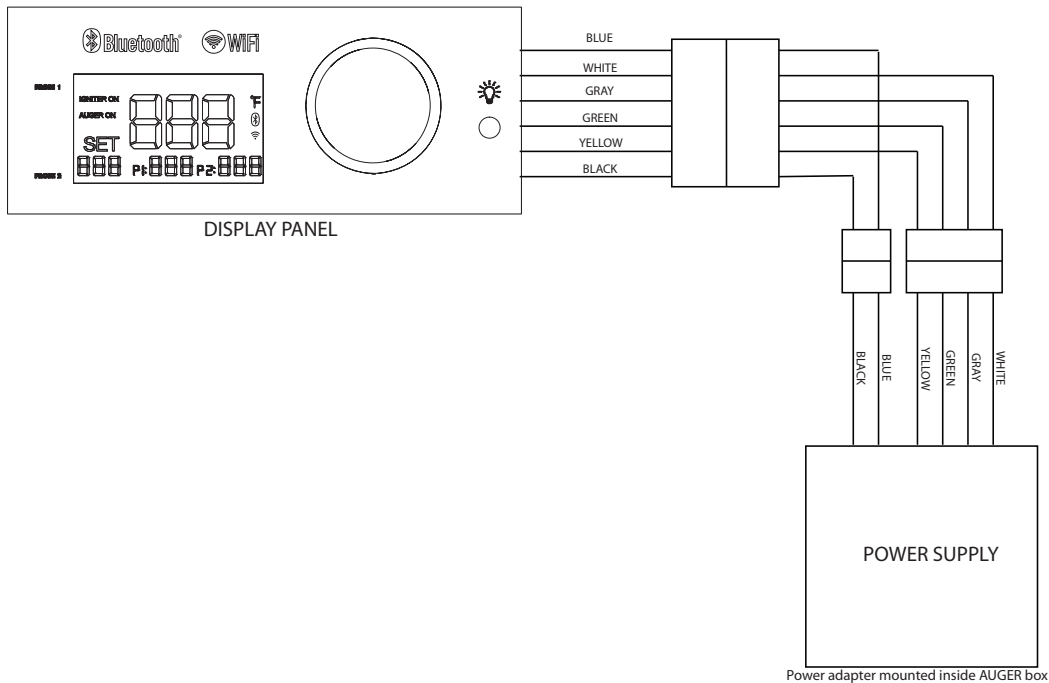
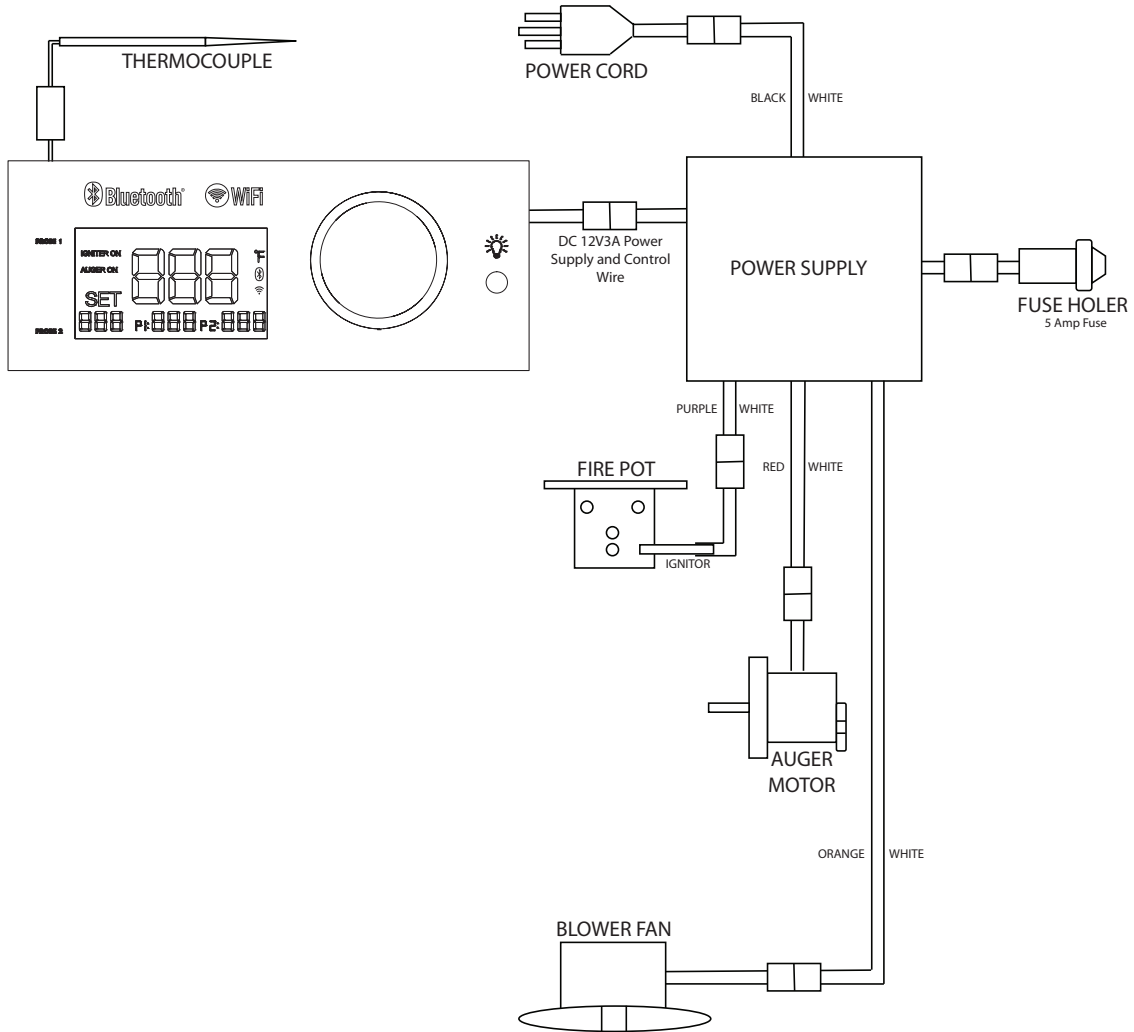
Chops	145 degrees F (62.8° C)
Ground Meat	160 degrees F (71° C)
Pork	145 degrees F (62.8° C)
Poultry	165 degrees F (73.9° C)
Roasts	145 degrees F (62.8° C)
Seafood	145 degrees F (62.8° C)
Vegetables	145 degrees F (62.8° C)

TROUBLE SHOOTING:

PROBLEM	CAUSE	CORRECTION
LCD screen will not light up	<ol style="list-style-type: none"> 1. Grill is not plugged in. 2. The fuse is blown. 3. Check that the GFCI outlet has not been tripped. 	<ol style="list-style-type: none"> 1. Make sure the grill is plugged into a working power source. Check and make sure wire connections are properly connected. 2. Check the fuse and see if it has blown and needs to be replaced. Use 5 Amp Fuse. 3. Reset GFCI outlet.
Grill is not getting hot enough	<ol style="list-style-type: none"> 1. Adjust temperature control knob on controller. 2. Avoid the temptation to check food too often. 3. Verify that there are pellets in pellet hopper. 4. Fire goes out at lower setting. 	<ol style="list-style-type: none"> 1. Turn up heat on the control knob. 2. Opening the hood allows heat to escape and causes the temperature to vary drastically from the set temperature. 3. Add pellets and allow sufficient time for the pellets to travel from the pellet hopper to the firepot (can take up to 5 minutes). 4. Excess ash. Remove all unburned pellets and ash from the firepot using the ash clean-out. CAUTION! ASSURE THAT THE GRILL IS COLD TO AVOID A FIRE FROM HOT ASH.
Pellets will not ignite	<ol style="list-style-type: none"> 1. Auger not primed. 2. Auger is jammed. 3. Ignitor has failed. 	<ol style="list-style-type: none"> 1. Before the unit is used for the first time or anytime the hopper is emptied, allow the auger tube to fully load with pellets to ensure proper lighting of the grill. Follow Initial Lighting Instructions. 2. Remove all components inside the firebox. Turn the grill to 200* F and inspect the auger. 3. Ignitor needs to be replaced. Contact our Customer Service dept. for a replacement part. Follow Manual Start-Up Procedure to continue use of the grill.
Grill is getting too hot	<ol style="list-style-type: none"> 1. Adjust temperature control 	<ol style="list-style-type: none"> 1. Reduce heat by reducing the selected temperature setting.
Smoke comes out of pellet hopper	<ol style="list-style-type: none"> 1. This is normal due to the air pressure inside the grill. The amount of smoke can vary depending on cooking conditions. 2. Unplugged grill too soon. 	<ol style="list-style-type: none"> 1. This condition will not affect cooking. 2. Once the grill is turned off the fan and auger will continue to run for 25 minutes. If you do not allow the grill to go through the cool down process it can cause fire to transfer to the auger tube.
Temperature fluctuations	<ol style="list-style-type: none"> 1. Temperature fluctuations are normal for pellet grills. Any significant fluctuations can be caused by wind, air temperature, improper use, or lack of grill maintenance. 	

For more information, please visit us at www.cuisinart.com

WIRING DIAGRAM:



IC: 25523-SMK2036AS

FCC ID: 2AURUSMK2036AS

The device complies with part 15 of the FCC Rules.

Operation is subject to the following two conditions:

- (1) This device may not cause harmful interference, and
- (2) this device must accept any interference received, including interference that may cause any undesired operation.

FCC Warning

Warning: Changes or modifications to this smoker not expressly approved by the party responsible for compliance could void the user's authority to operate the equipment.

FCC Statement

This equipment has been tested and found to comply with the limits for a Class B digital device, pursuant to Part 15 of the FCC Rules. These limits are designed to provide reasonable protection against harmful interference in a residential installation. This equipment generates, uses and can radiate radio frequency energy and, if not installed and used in accordance with the instructions, may cause harmful interference to radio communications.

However, there is no guarantee that interference will not occur in a particular installation. If this equipment does cause harmful interference to radio or television reception, which can be determined by turning the equipment off and on, the user is encouraged to try to correct the interference by one of the following measures:

1. Reorient or relocate the receiving antenna.
2. Increase the separation between the equipment and receiver.
3. Connect the equipment into an outlet on a circuit different from that to which the receiver is connected.
4. Consult the dealer or an experienced radio/TV technician for help.

The Bluetooth word mark and logos are registered trademarks owned by Bluetooth SIG, Inc. and any use of such marks by the Jordan Kahn Co., Inc. is under license. Other trademarks and trade names are those of their respective owners.

WARRANTY

PROOF OF PURCHASE is required to access this warranty program, which is in effect from the date of purchase. Customers will be subject to parts, shipping, and handling fees if unable to provide proof of the purchase or after the warranty has expired.

If you have any questions or problems, you can call our customer service department at 1-866-212-3150 from 9:00am to 5:00pm Eastern time, Monday through Friday for assistance.

This limited warranty applies to the functionality of the product ONLY and does not cover cosmetic issues such as scratches, dents, corrosion or discoloring by heat, abrasive and chemical cleaners or any tools used in the assembly or installation of the appliance, surface rust, or the discoloration of stainless steel surfaces. Paint is not warranted and will require touch up. RUST is not considered a manufacturing or materials defect.

This limited warranty will not reimburse you for the cost of any inconvenience, food, personal injury or property damage.

LIMITED WARRANTY

Electrical components are warranted for 1-year from date of purchase.
All other parts warranted 3-years from date of purchase.

WARRANTY PROVISIONS

This warranty is non-transferable and does not cover failures due to misuse of improper installation or maintenance.

This warranty is for replacement of defective parts only, We are not responsible for incidental or consequential damages or labor costs.

This warranty does not cover corrosion or discoloration after the grill is used, or lack of maintenance, hostile environments, accidents, alterations, abuse or neglect.

This warranty does not cover damage caused by heat, abrasive and chemical cleaners, or any damage to other components used in the installation or operation of the pellet grill.

Paint is not warranted and may require touch-up. Items considered to be consumable such as batteries are not covered under this warranty.

DISCLAIMER OF IMPLIED WARRANTIES; LIMITATION OF REMEDIES

Repair or replacement of defective parts is your exclusive remedy under the terms of this limited warranty. Manufacturer will not be responsible for any consequential or incidental damages caused by weather. This limited warranty or any applicable implied warranty, or for failure of damage resulting from acts of God, improper care and maintenance, grease fire, accident, alteration, replacement of parts by anyone other than manufacturer, misuse, transportation, commercial use, hostile environments (inclement weather, act of nature, animal tampering), improper installation not in accordance with local codes or printed manufacturer instructions.

For replacement parts, call our customer service department at 1-866-212-3150 from 9:00am to 5:00pm Eastern time, Monday through Friday for assistance.