

Cuisinart®

Bristol 21" Pellet Grill

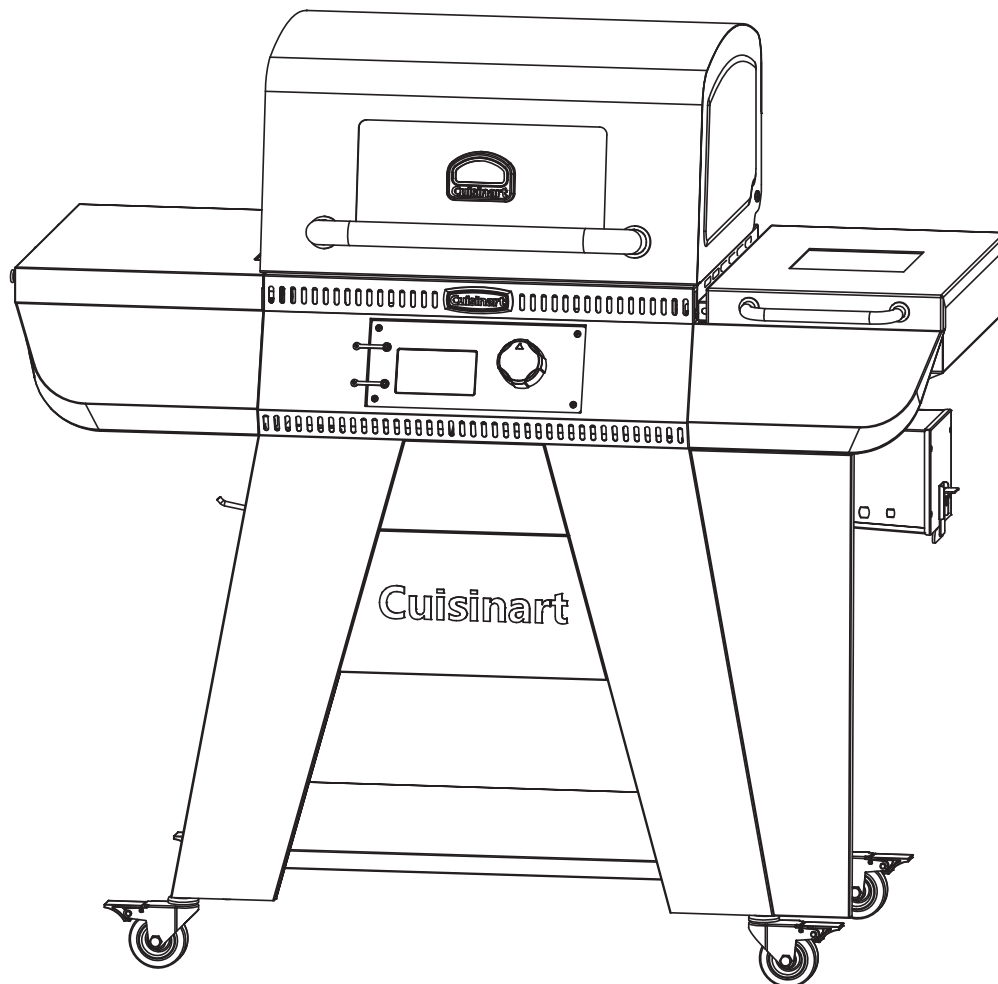
ASSEMBLY INSTRUCTIONS

Model SMK1021AS0

NOTICE TO INSTALLER:
LEAVE THESE INSTRUCTIONS
WITH THE GRILL OWNER
FOR FUTURE REFERENCE.

⚠ WARNING

READ ALL INSTRUCTIONS BEFORE INSTALLATING AND USING APPLIANCE. FAILURE TO FOLLOW THESE INSTRUCTIONS COULD RESULT IN PROPERTY DAMAGE, BODILY INJURY OR EVEN DEATH. CONTACT LOCAL BUILDING OR FIRE OFFICIALS ABOUT RESTRICTIONS AND INSTALLATION INSPECTION REQUIREMENTS IN YOUR AREA. SAVE THESE INSTRUCTIONS.



ASSEMBLY INSTRUCTIONS:

⚠ READ ALL SAFETY WARNINGS & ASSEMBLY INSTRUCTIONS CAREFULLY BEFORE ASSEMBLING OR OPERATING YOUR GRILL.

WE RECOMMEND TWO PEOPLE WORK TOGETHER WHEN ASSEMBLING THIS UNIT.

The following tools are required to assemble this Cuisinart 21” Pellet Grill:

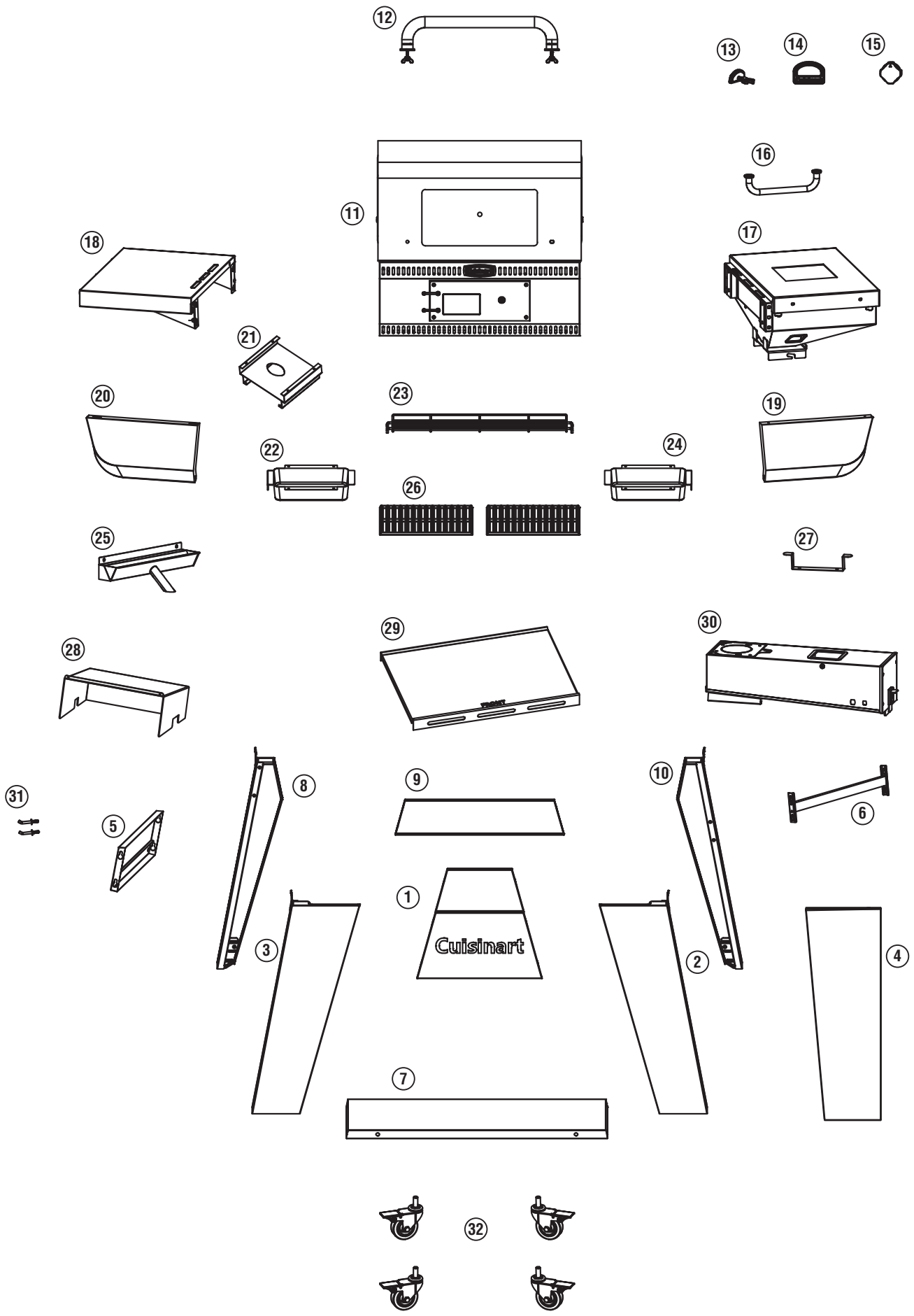
- Phillips Screwdriver
- Pliers or Wrench

PARTS LIST:

①	1	Front Panel	①9	1	Right Side Control Panel
②	1	Right Front Leg	②0	1	Left Side Control Panel
③	1	Left Front Leg	②1	1	Grease Cup Bracket
④	1	Right Side Panel	②2	1	Grease Cup
⑤	1	Left Side Panel	②3	1	Warming Rack
⑥	1	Cart Brace	②4	1	Ash Catcher
⑦	1	Cart Base	②5	1	Grease Channel
⑧	1	Left Rear Leg	②6	2	Cooking Grates
⑨	1	Back Panel	②7	1	Cord Wrap
⑩	1	Right Rear Leg	②8	1	Heat Baffle
⑪	1	Grill Body	②9	1	Heat Plate
⑫	1	Hood Handle	③0	1	Auger Housing
⑬	1	Temperature Gauge	③1	2	Accessory Hooks
⑭	1	Temperature Gauge Bezel	③2	4	Casters
⑮	1	Control Knob			
⑯	1	Pellet Hopper Lid Handle			
⑰	1	Pellet Hopper			
⑱	1	Left Side Table			

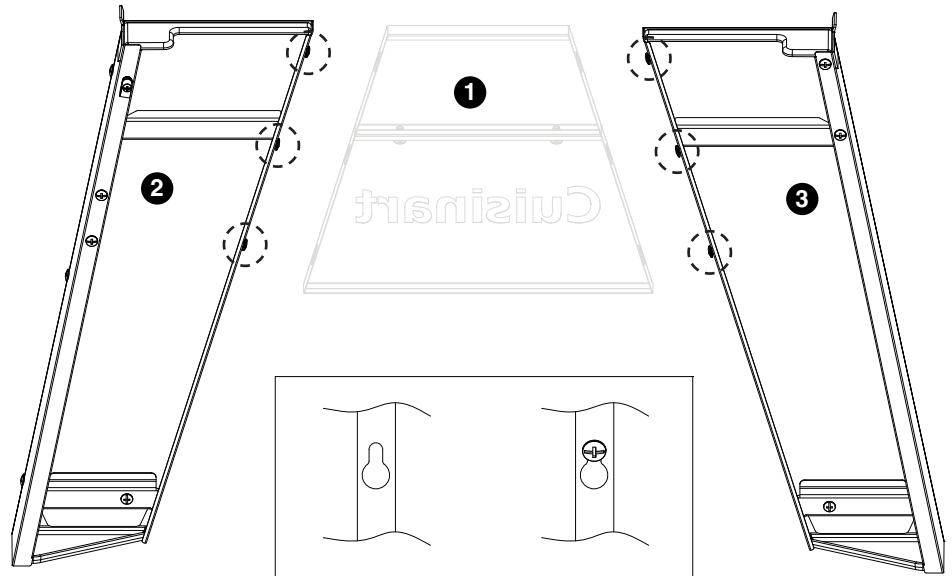
Note: Most hardware is pre-attached to the grill. You may need to loosen some screws partially while others may need to be removed in order to assemble parts. The screws that you remove will be re-used so don't misplace this hardware.

Extra screws are included in a small bag with the owners manual.



Step 1

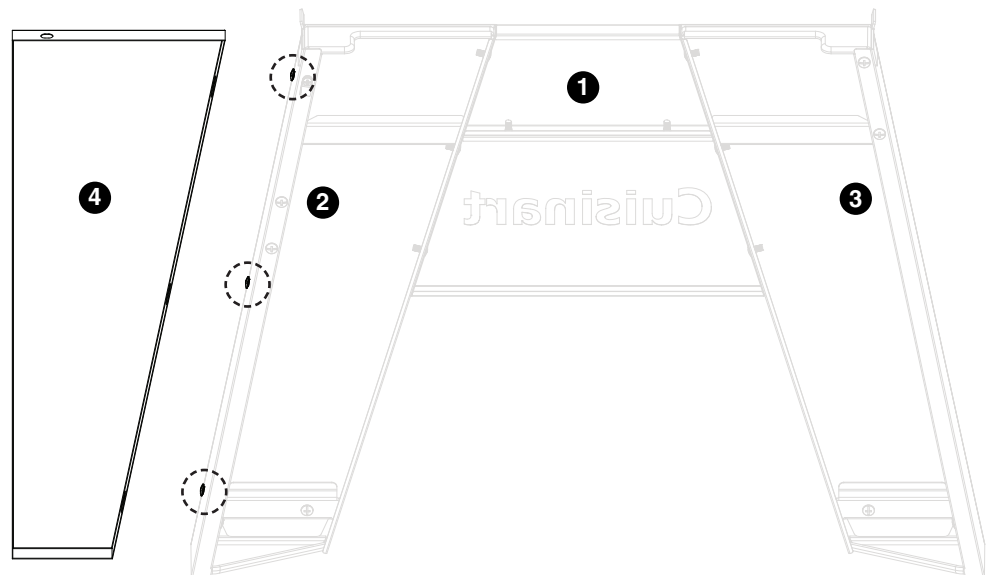
- Loosen 6 screws 3-4 turns on **FRONT LEGS** ② and ③
- Do not remove screws
- Attach **FRONT PANEL** ① using keyholes
- Tighten 6 screws



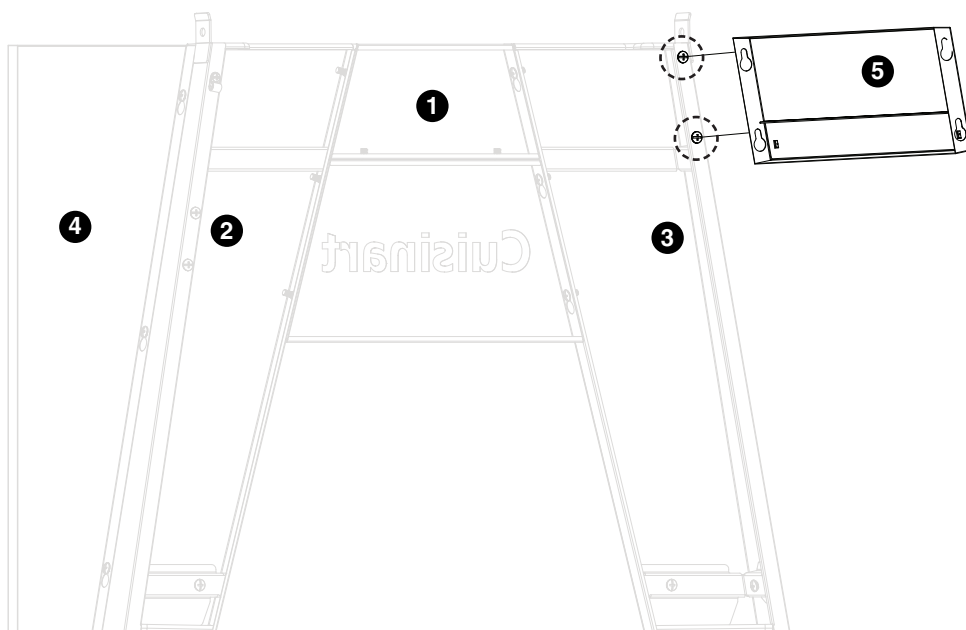
NOTE: Before tightening keyhole screws, make sure panels are aligned.

Step 2

- Loosen 3 screws
- Attach **RIGHT SIDE PANEL** ④
- Tighten 3 screws on **RIGHT SIDE PANEL** ④

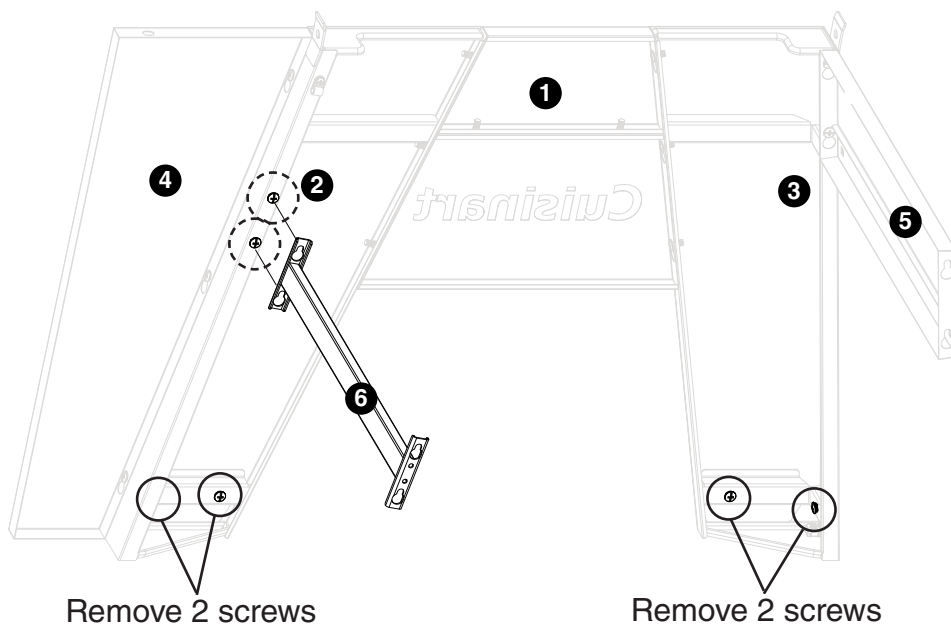


Step 3



- Loosen 2 screws
- Attach **LEFT SIDE PANEL 5**
- Tighten 2 screws on **LEFT SIDE PANEL 5**

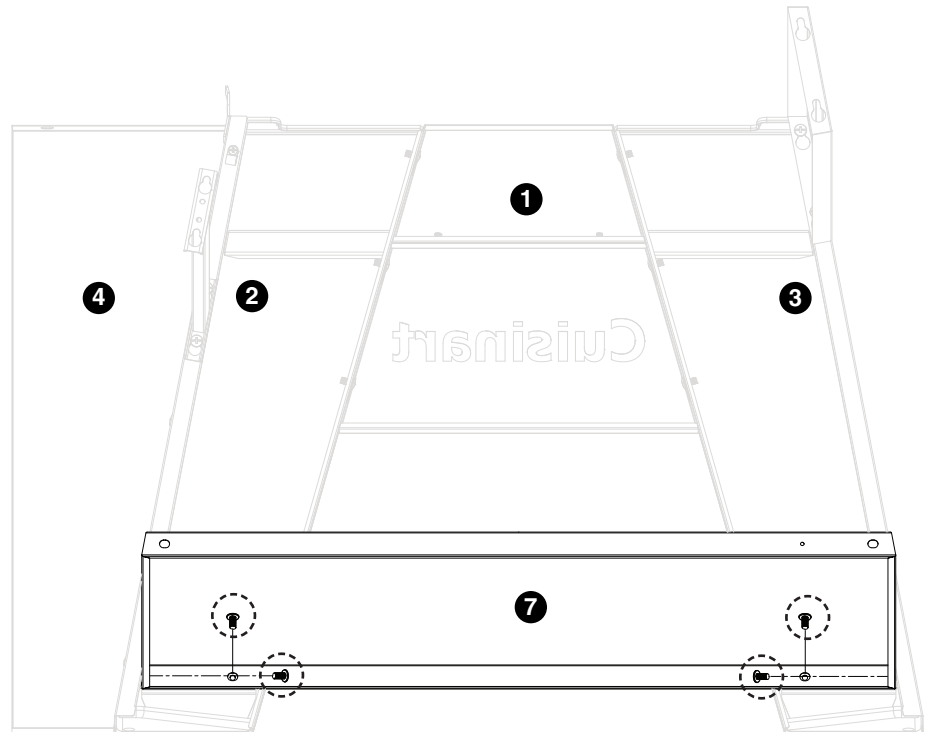
Step 4



- Loosen 2 screws
- Attach **CART BRACE 6**
- Tighten 2 screws on **CART BRACE 6**
- Remove 4 screws

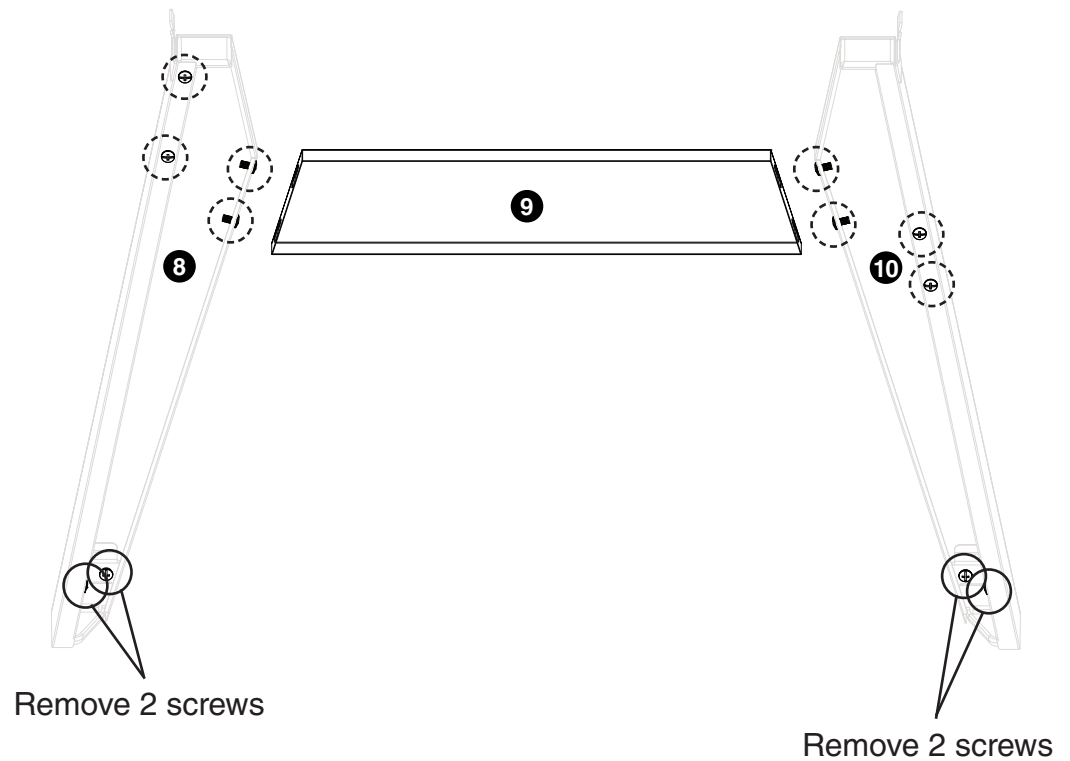
Step 5

- Attach **CART BASE 7**
- Tighten 4 screws
(Removed from
Step 4)

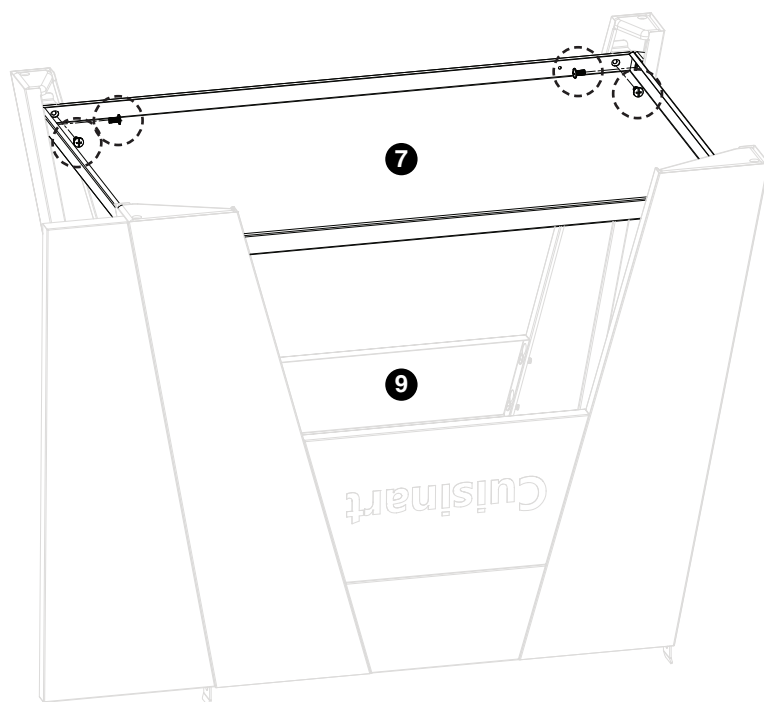


Step 6

- Loosen 8 screws on
REAR LEGS 8 and **10**
- Attach **BACK PANEL 9**
to **REAR LEGS 8** and
10
- Tighten 4 screws
- Remove 4 screws

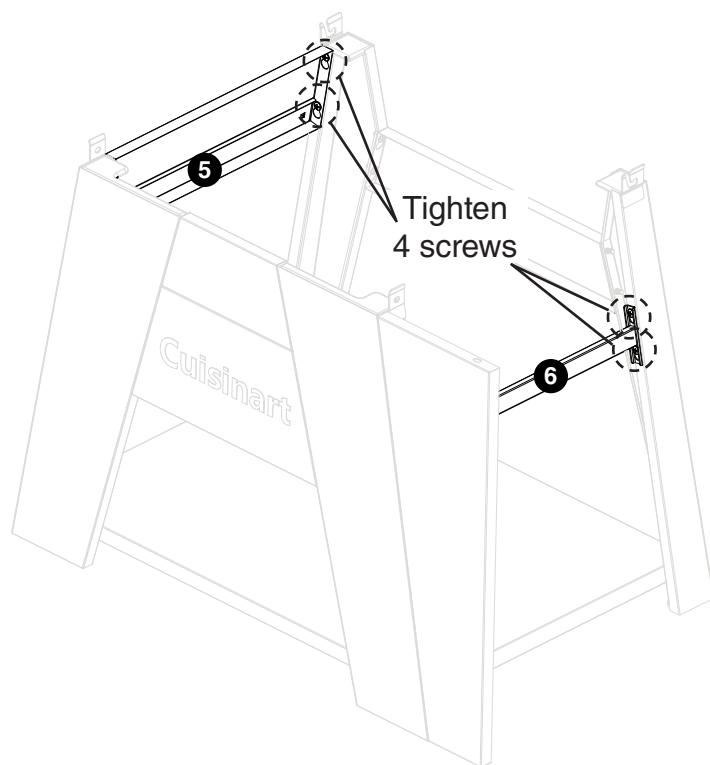


Step 7



- Attach **CART BASE 7** to rear legs
- Tighten 4 screws (Removed from Step 6)

Step 8

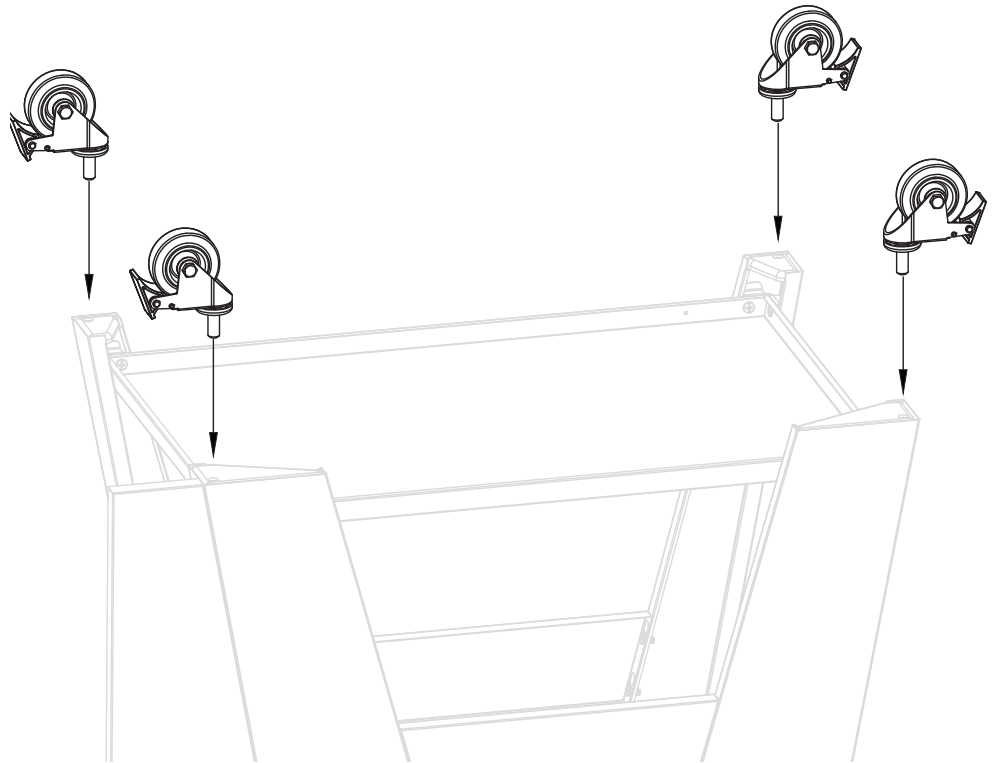
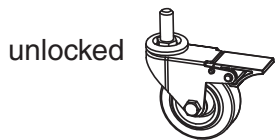


- Attach **LEFT SIDE PANEL 5** and **CART BRACE 6**
- Tighten 4 screws

Step 9

- Lock **CASTERS 32**
- Attach **CASTERS 32** to legs

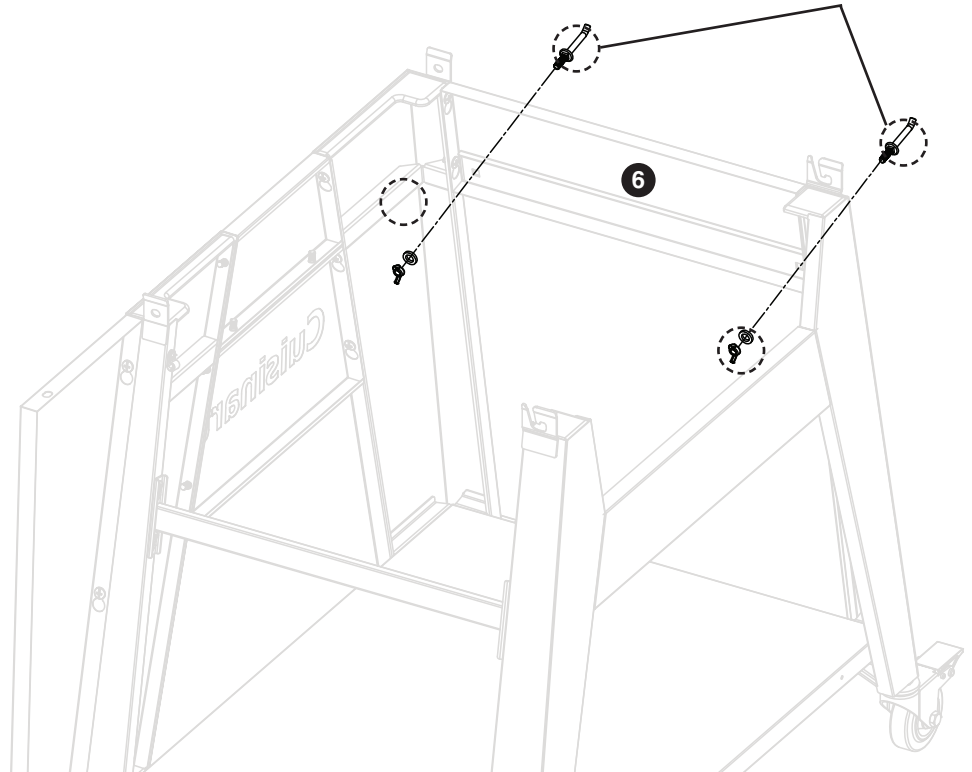
32 CASTERS



Step 10

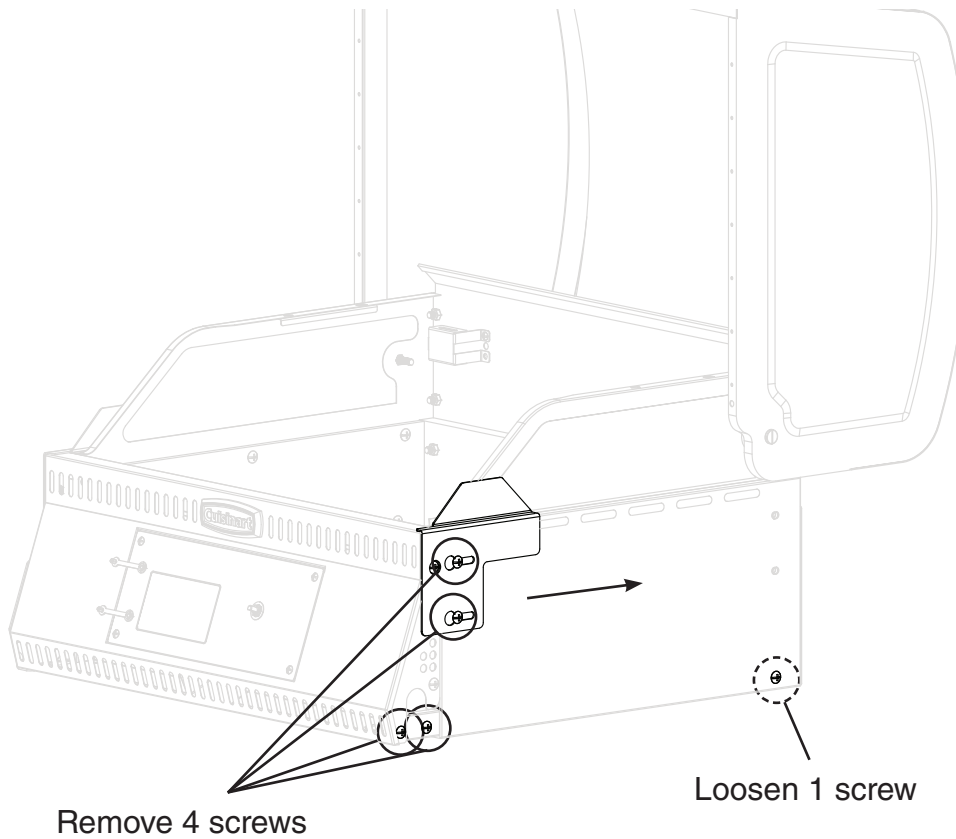
- Attach **ACCESSORY HOOKS 31** to **LEFT SIDE PANEL 5** with wing nuts and washers

31 ACCESSORY HOOKS



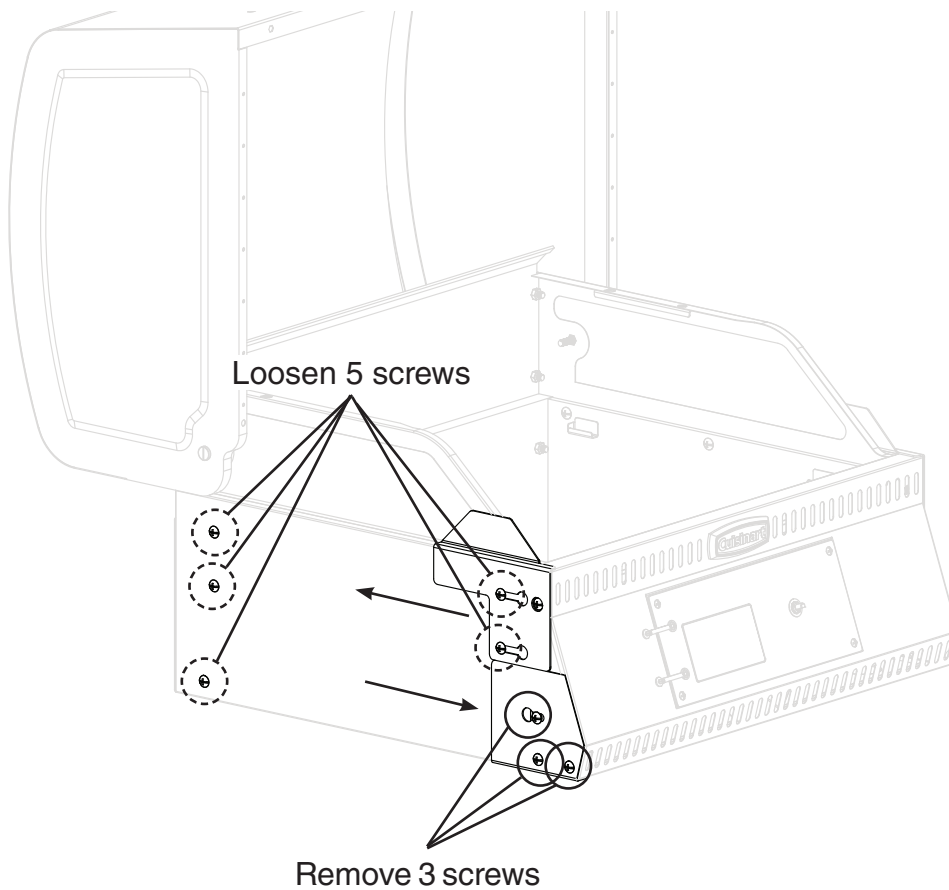
Step 11

- Loosen 1 screw
- Remove 4 screws
- Remove protective plate from right side of grill body assembly



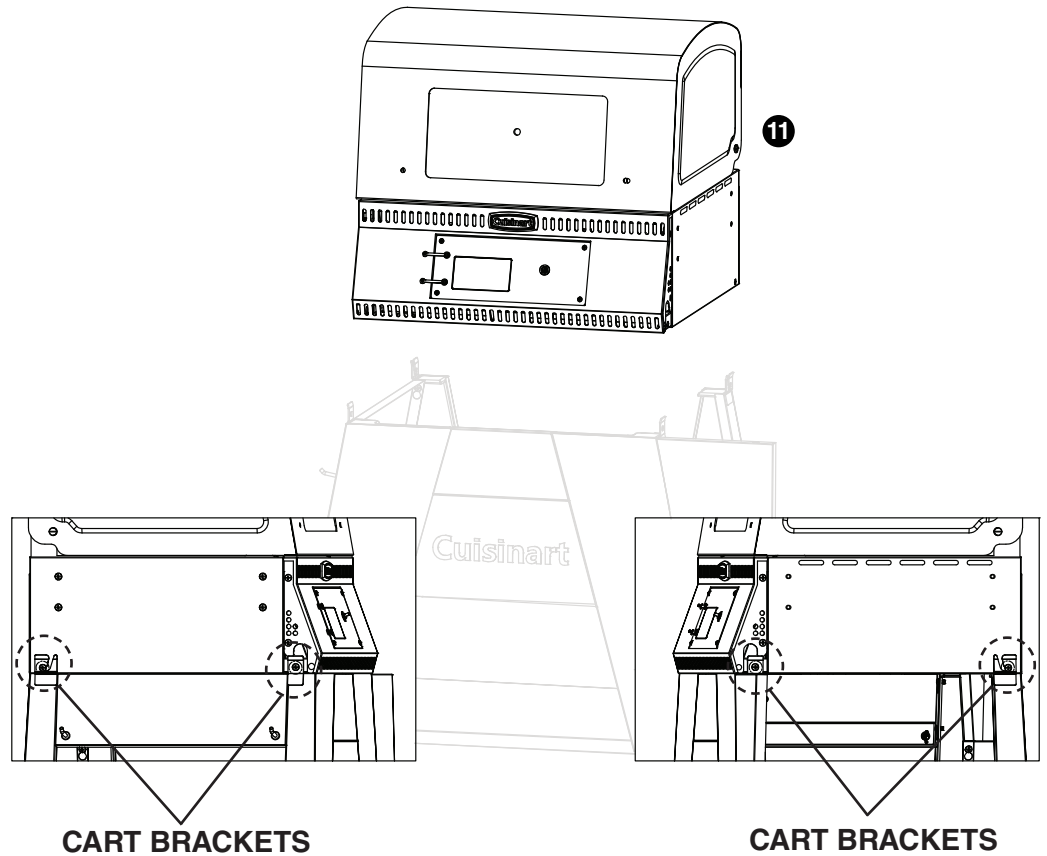
Step 12

- Loosen 5 screws
- Remove 3 screws
- Remove two protective plates from left side of grill body assembly



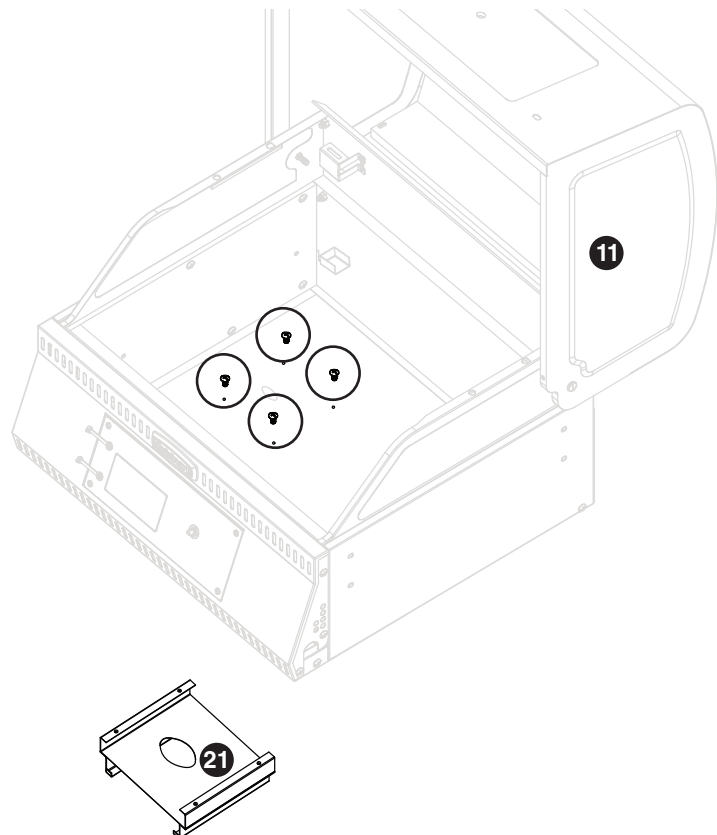
Step 13

- Set **GRILL BODY 11** on cart
- Make sure screw drops into rear cart brackets
- Push **GRILL BODY 11** to back of cart
- Install 2 screws in **FRONT BRACKETS** (Removed from Step 11 and Step 12)
- Tighten 4 screws on cart brackets (2 screws left over will be used in future steps)



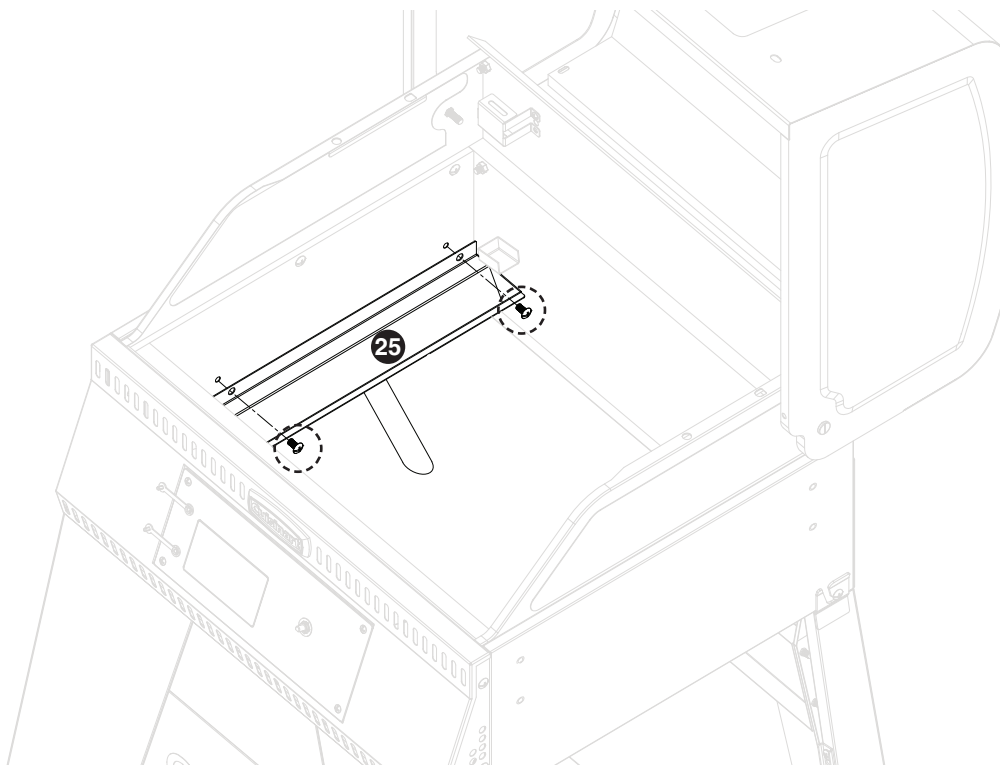
Step 14

- Remove 4 screws from **GREASE CUP BRACKET 21**
- Install **GREASE CUP BRACKET 21** to the bottom of the **GRILL BODY 11** using 4 screws



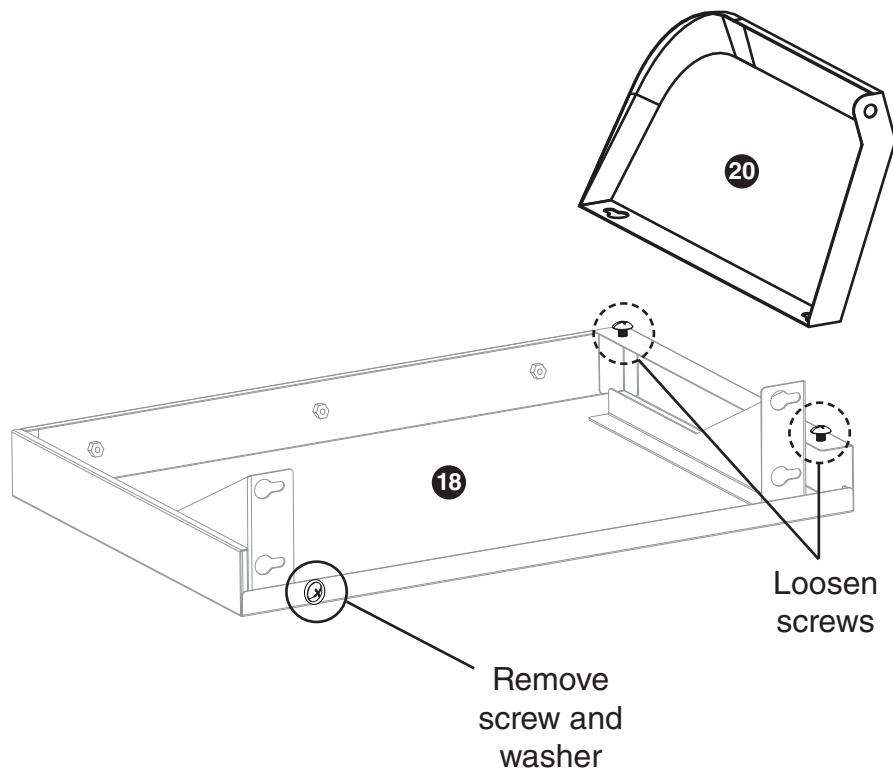
Step 15

- Remove 2 screws
- Attach **GREASE CHANNEL 25**
- Tighten 2 screws



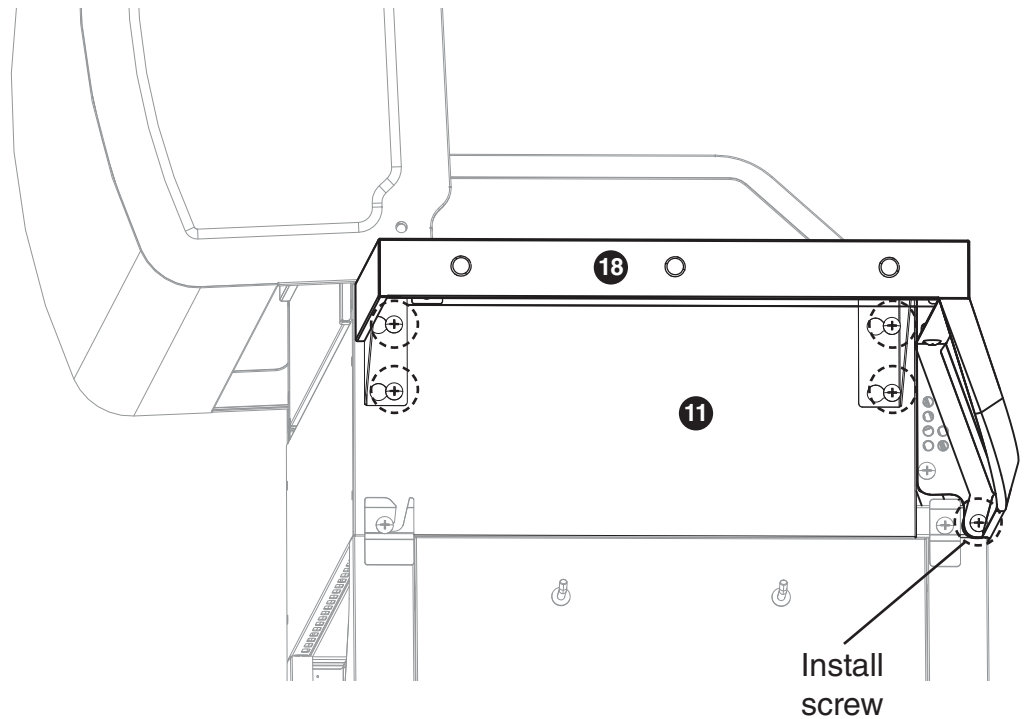
Step 16

- Loosen 2 screws
- Attach **LEFT SIDE CONTROL PANEL 20** to **LEFT SIDE TABLE 18** over keyholes
- Tighten 2 screws
- Remove 1 screw and washer



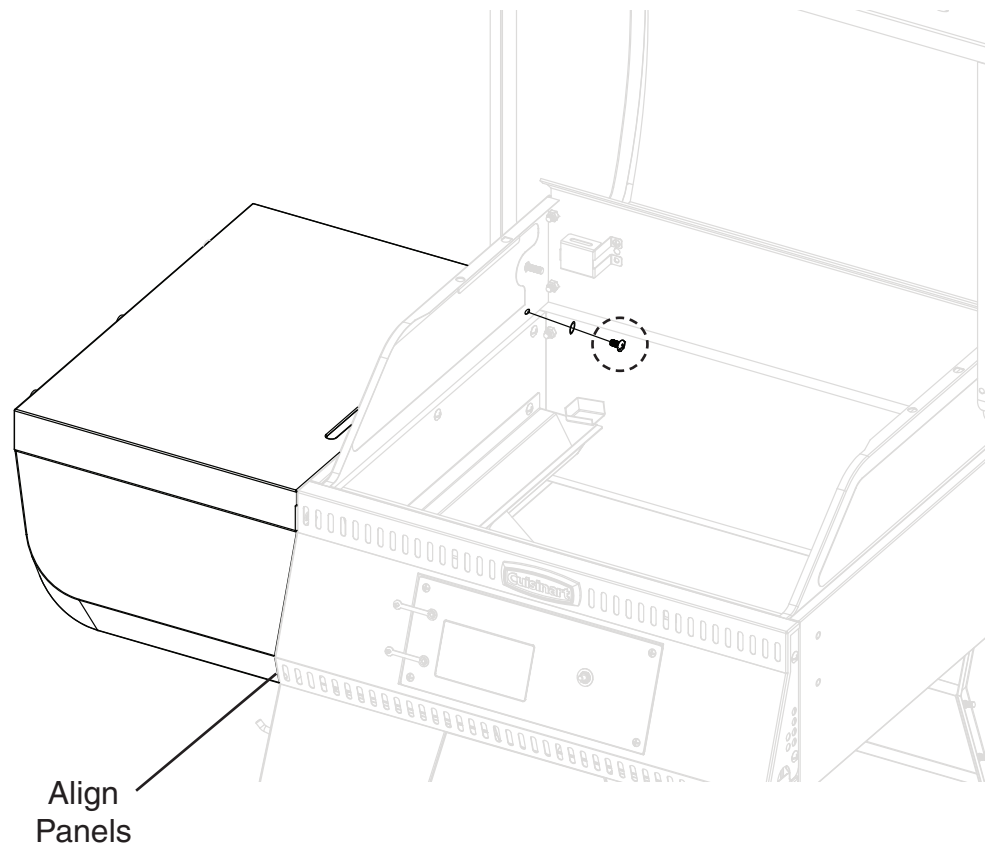
Step 17

- Attach **LEFT SIDE TABLE 18** to **GRILL BODY 11** using keyholes
- Do not tighten screws at this time
- Install and tighten screw (Removed from Step 12)

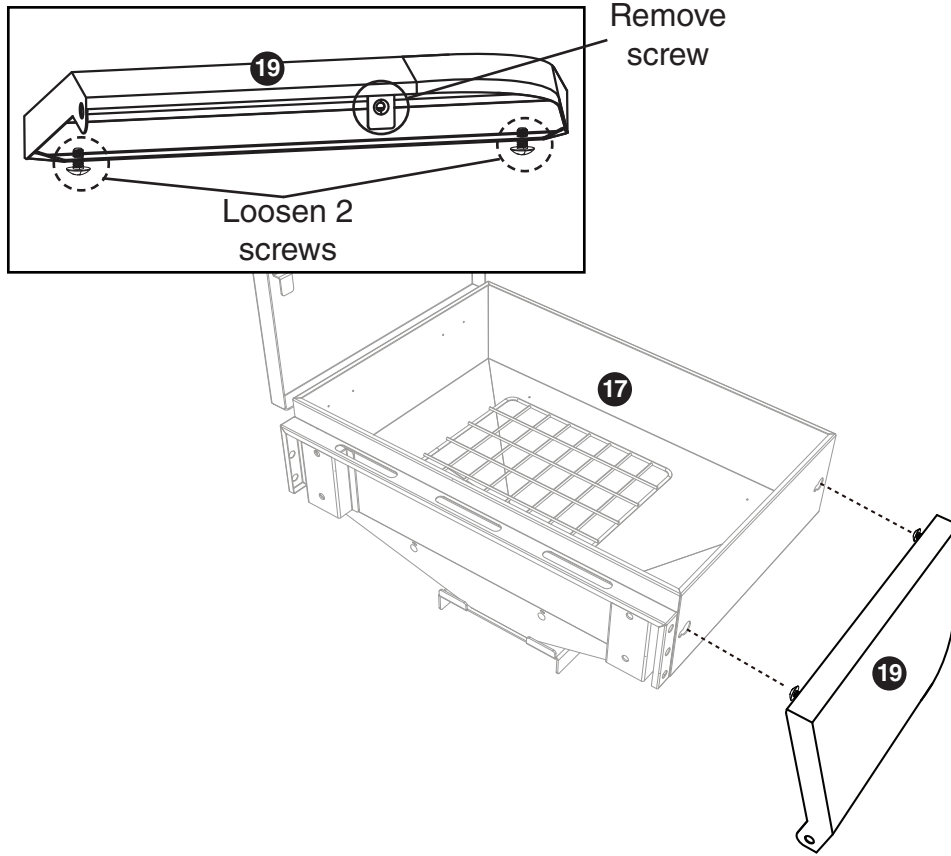


Step 18

- Install screw and washer (Removed from Step 16)
- Make sure control panels are aligned
- Tighten 5 screws from Step 17 and Step 18

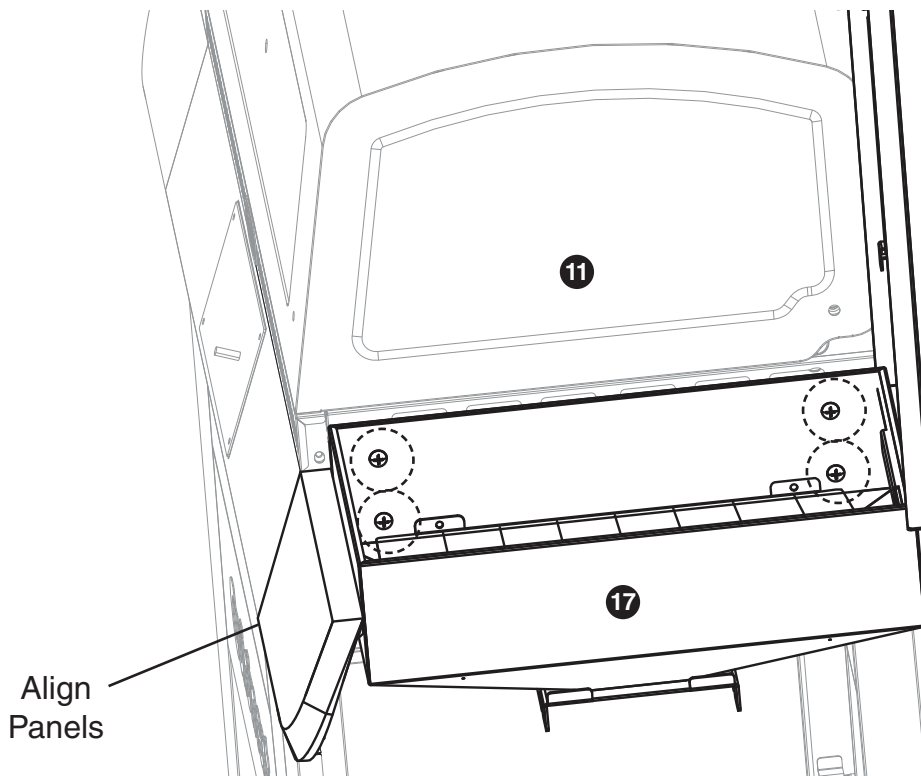


Step 19



- Remove 1 screw
- Loosen 2 screws
- Attach **RIGHT SIDE CONTROL PANEL 19** to **PELLET HOPPER 17** over keyholes
- Tighten 2 screws

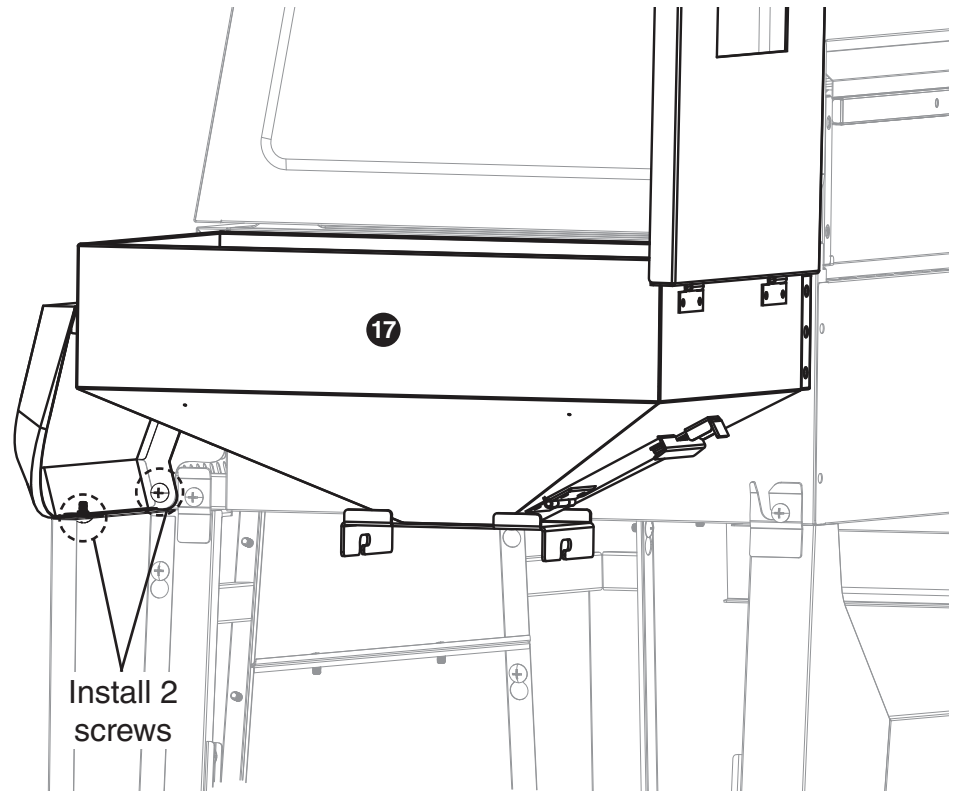
Step 20



- Attach **PELLET HOPPER 17** to **GRILL BODY 11**
- Tighten 4 screws (Find M6x35 screws bag with owners manual)

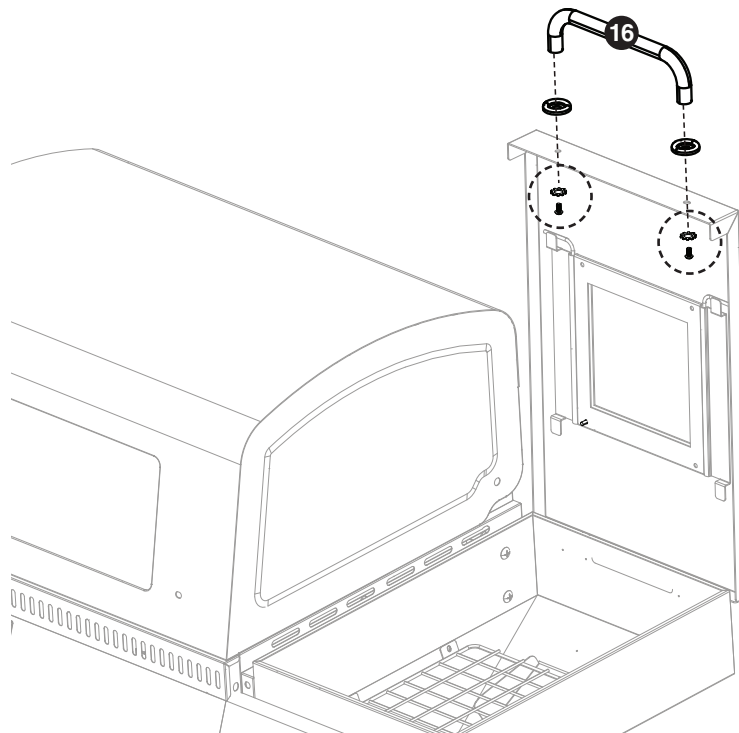
Step 21

- Install 2 screws (1 screw removed in Step 11 and 1 screw removed in Step 19)



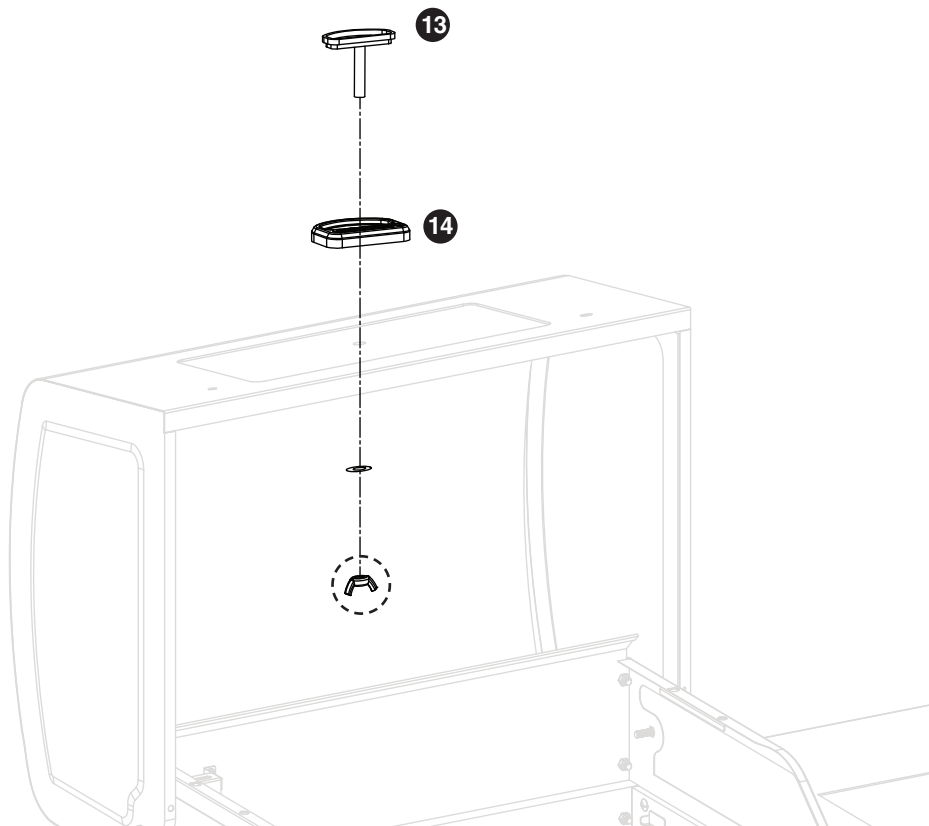
Step 22

- Install **PELLET HOPPER LID HANDLE 16** (screws, washers and bezels are pre-installed in handle)



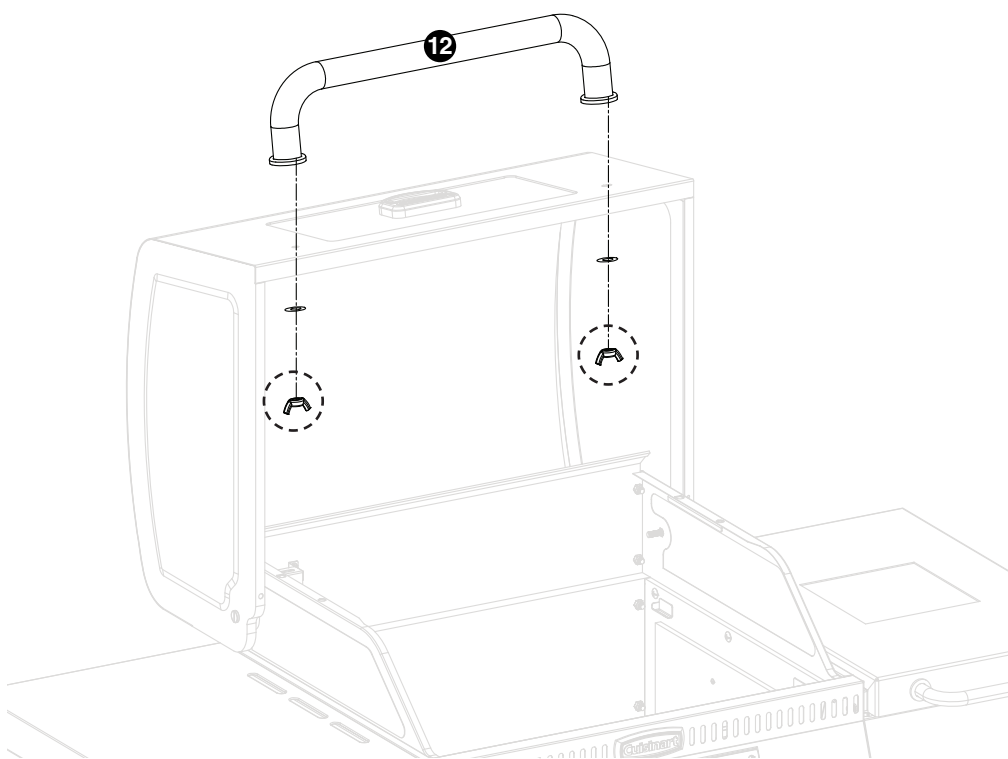
Step 23

- Install **TEMPERATURE GAUGE 13** and **BEZEL 14** using washer and wing nut



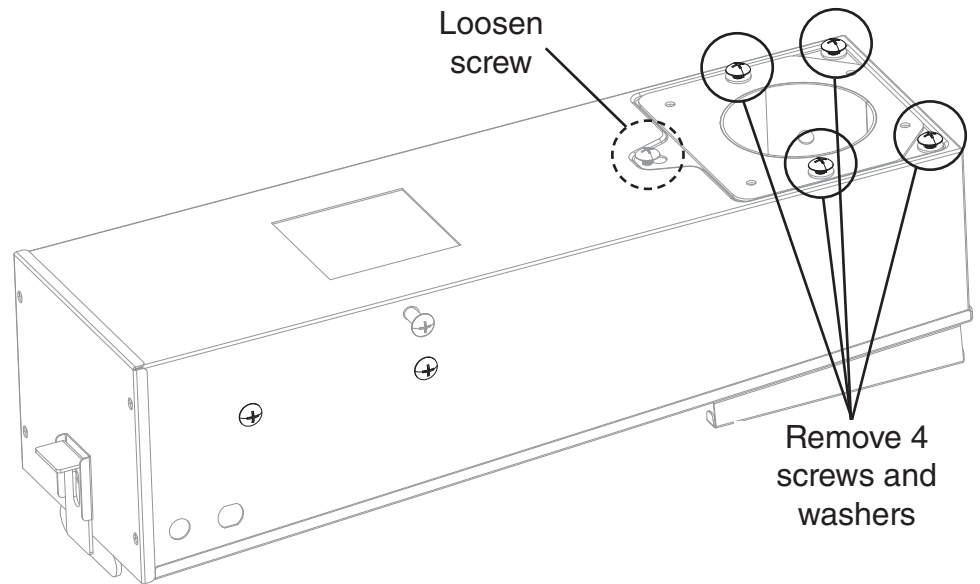
Step 24

- Install **HOOD HANDLE 12** (Wing nuts, bezels and washers are pre-installed on handle)



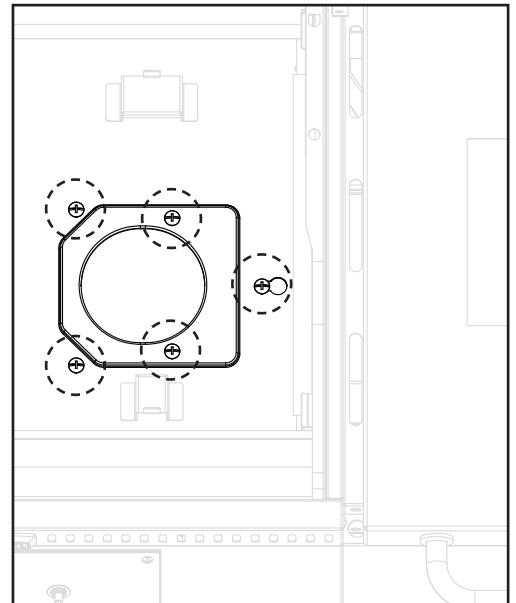
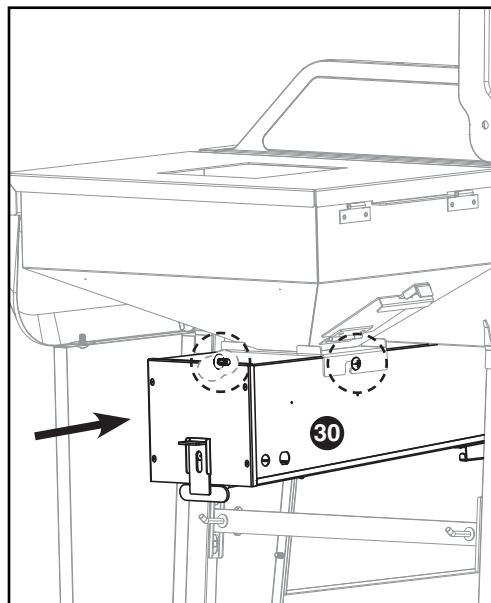
Step 25

- Remove 4 screws and washers
- Loosen 1 screw

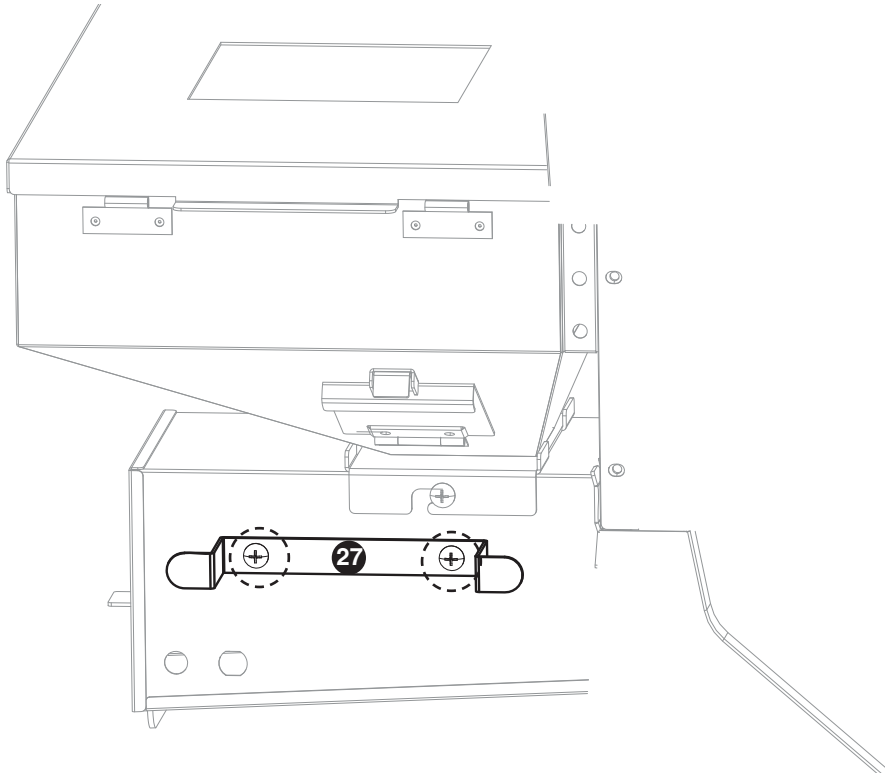


Step 26

- Install **AUGER HOUSING 30** using keyhole in firebox and slots in pellet hopper bracket
- Tighten 5 screws and washers in firebox

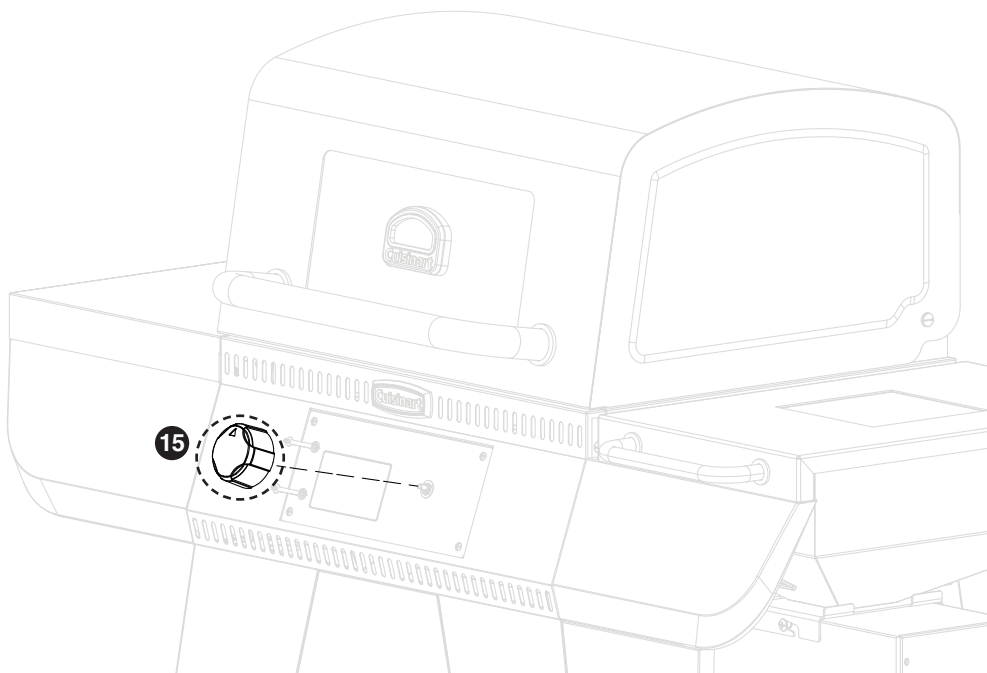


Step 27



- Remove 2 screws
- Attach **CORD WRAP 27** using 2 screws

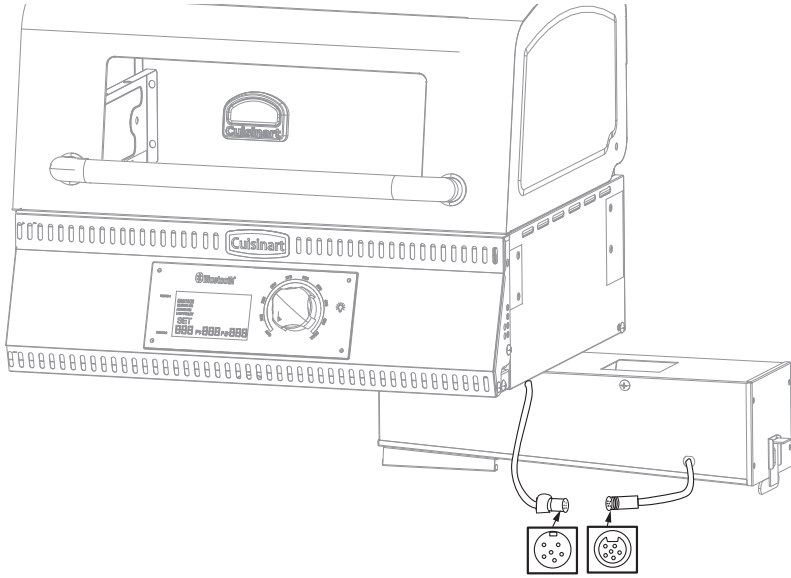
Step 28



- Attach **CONTROL KNOB 15** to controller

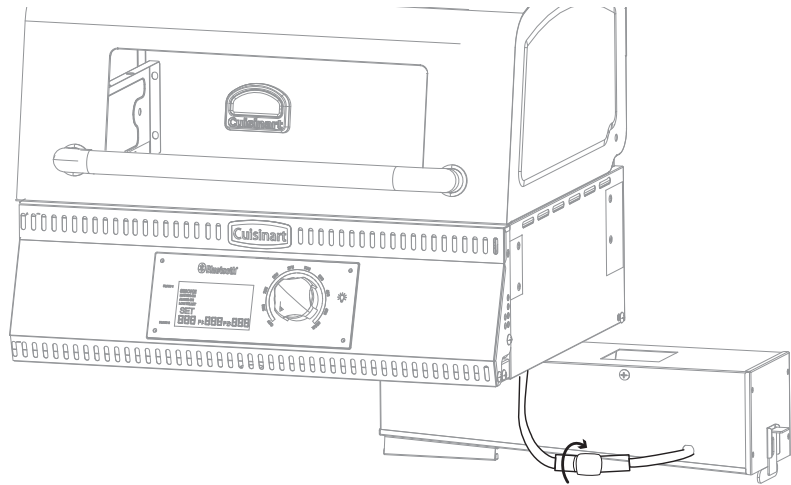
Step 29a

- Connect wiring for Controller
- These wires can only be connected one way
- Make sure the connectors are lined up properly before tightening



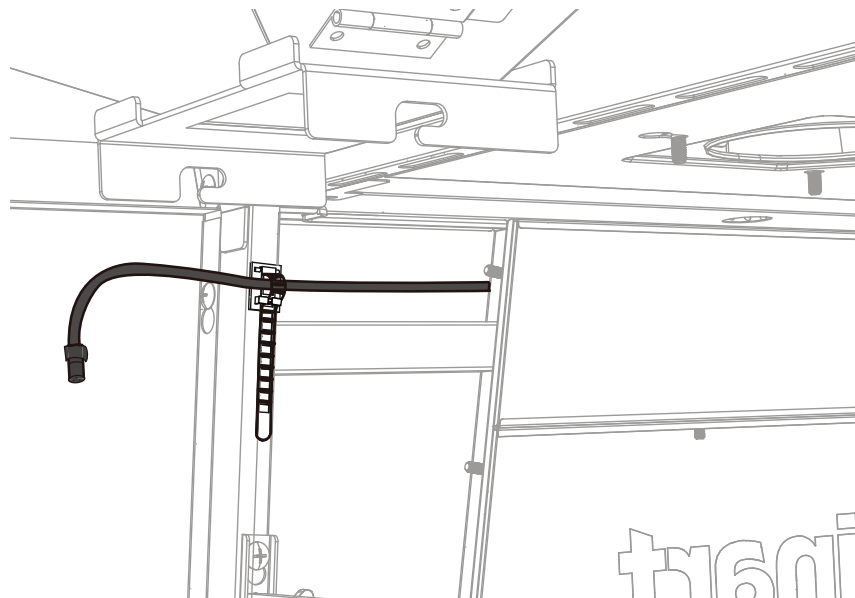
Step 29b

- Once connected, twist to tighten



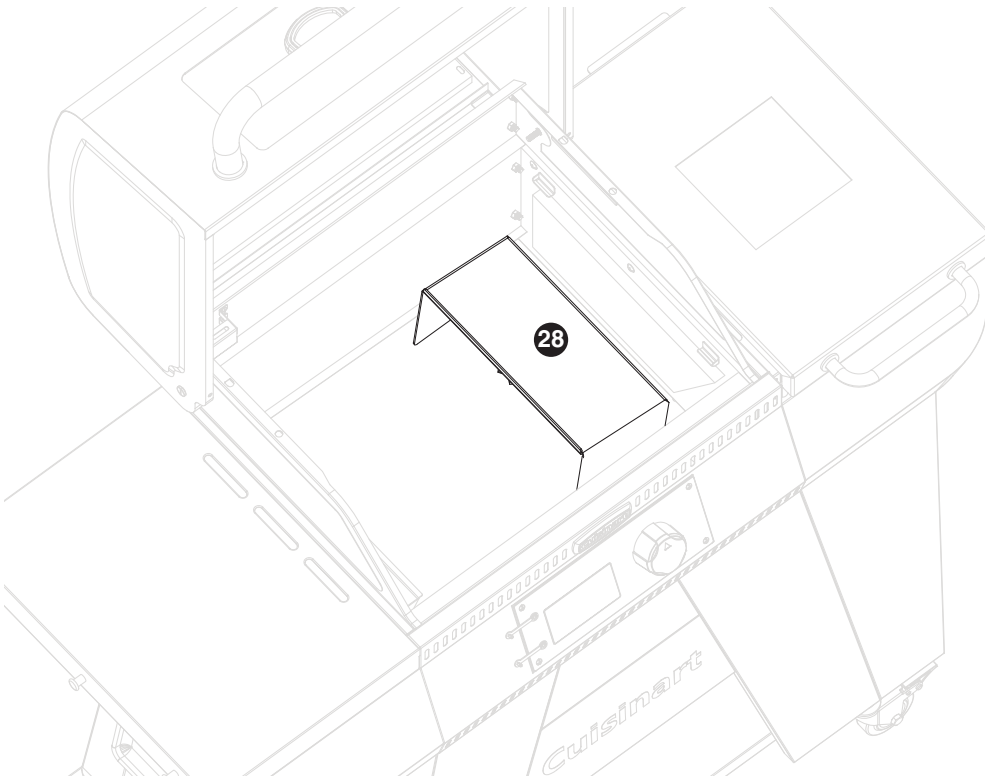
Step 29c

- Secure wiring with cord clip.



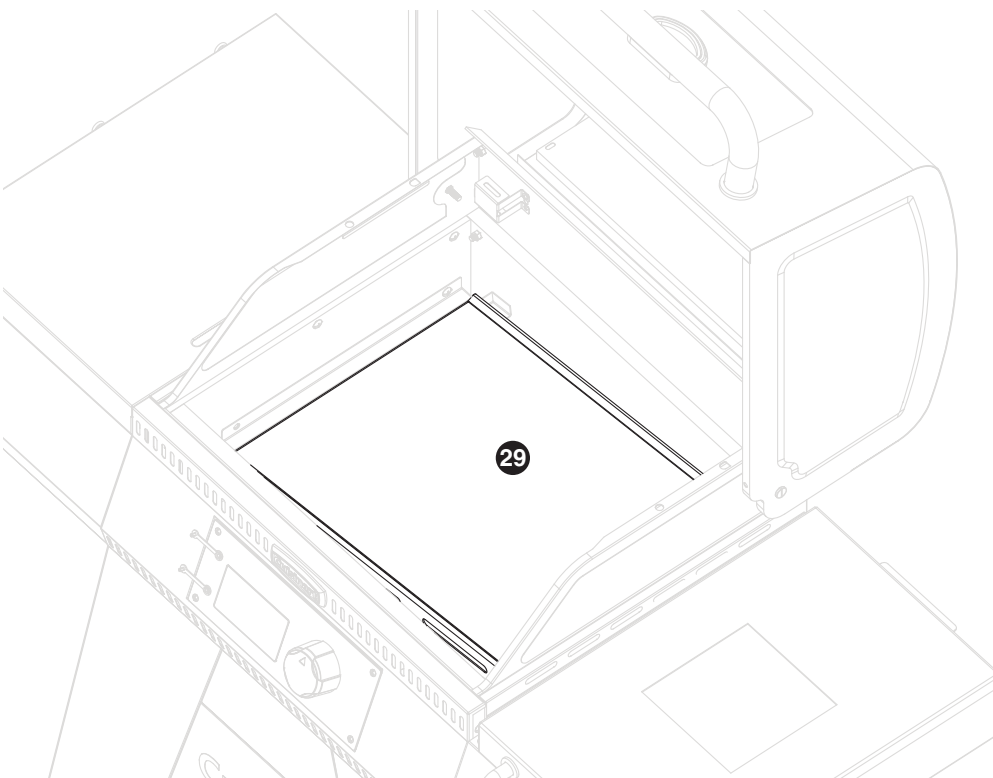
Step 30

- Attach **HEAT BAFFLE 28**



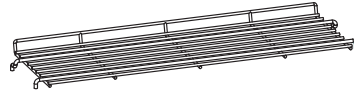
Step 31

- Install **HEAT PLATE 29**
on welded brackets

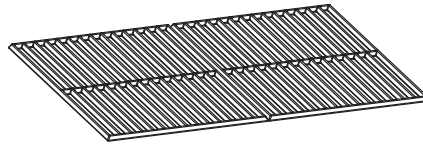


Step 32

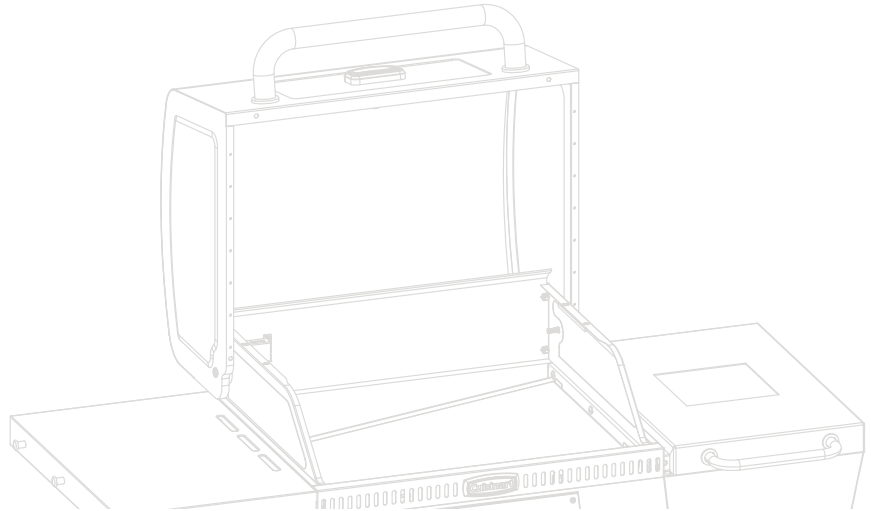
- Install **COOKING GRATES** 26 and **WARMING RACK** 23



23 WARMING RACK

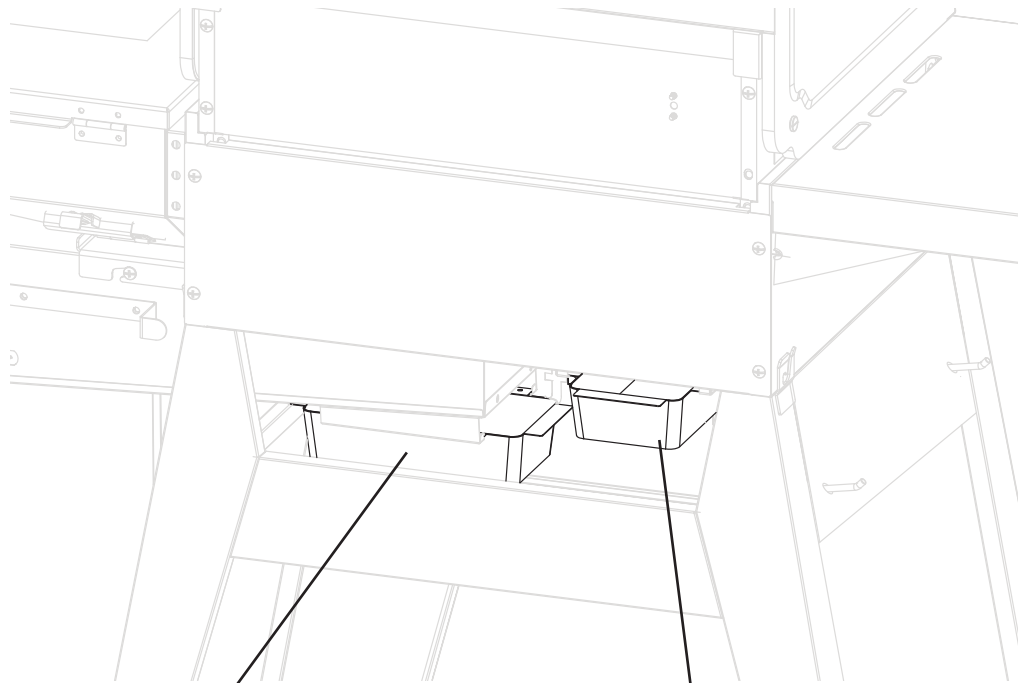


26 COOKING GRATES



Step 33

- Install **ASH CATCHER** 24 and **GREASE CUP** 22



24 ASH
CATCHER

22 GREASE
CUP

Model SMK1021ASO

