

3 Embers

**NOTICE TO
PROFESSIONAL INSTALLER:**

LEAVE THESE INSTRUCTIONS WITH THE
GRILL OWNER FOR FUTURE REFERENCE.



AVISO PARA EL INSTALADOR:
ENTREGUE ESTAS INSTRUCCIONES AL
PROPIETARIO DE LA PARRILLA PARA
REFERENCIA FUTURA.

Natural Gas Conversion Instructions for Model GAS7480AS/GAS7480BS

Natural Gas Conversion Kit Sold Separately

Equipo de Conversión a Gas Natural Instrucciones para el Modelo GAS7480AS/GAS7480BS

Equipo de Conversión a Gas Natural Vendido por Separado

Use 3 Embers Natural Gas Conversion Kit

Utilice 3 Embers Equipo de Conversión de Gas Natural

PROFESSIONAL INSTALLATION MANUAL MANUAL DE INSTALACIÓN PROFESIONAL

**ASSEMBLY AND OPERATING INSTRUCTIONS
INSTRUCCIONES DE ARMADO Y OPERACIÓN**

**SAVE THIS MANUAL FOR FUTURE REFERENCE
GUARDE ESTE MANUAL PARA REFERENCIA FUTURA**

⚠ WARNING

HAZARDOUS EXPLOSION MAY RESULT IF THESE
WARNINGS AND INSTRUCTIONS ARE IGNORED. READ
AND FOLLOW ALL WARNINGS AND INSTRUCTIONS IN
THIS MANUAL TO AVOID PERSONAL INJURY, INCLUDING
DEATH OR PROPERTY DAMAGE.

⚠ ADVERTENCIA

SE PUEDE PRODUCIR UNA EXPLOSIÓN PELIGROSA
SI SE HACE CASO OMISO A ESTAS ADVERTENCIAS E
INSTRUCCIONES. LEA Y SIGA TODAS LAS ADVERTENCIAS
E INSTRUCCIONES EN ESTE MANUAL PARA EVITAR
LESIONES PERSONALES, INCLUSO LA MUERTE, O LOS DAÑO
MATERIALES.

IMPORTANT SAFETY WARNINGS

WE WANT YOU TO USE YOUR CONVERSION KIT FOR YOUR GRILL AS SAFELY AS POSSIBLE. THE PURPOSE OF THIS SAFETY ALERT SYMBOL  IS TO ATTRACT THE ATTENTION TO POSSIBLE HAZARDS AS THE GRILL IS CONVERTED AND USED AS A NATURAL GAS GRILL.

WHEN YOU SEE THE SAFETY ALERT SYMBOL 
PAY CLOSE ATTENTION TO THE INFORMATION WHICH FOLLOWS!

 **READ ALL SAFETY WARNINGS AND INSTRUCTIONS CAREFULLY BEFORE CONVERTING AND OPERATING YOUR GRILL.**

DANGER

IF YOU SMELL GAS:

1. SHUT OFF GAS TO THE APPLIANCE.
2. EXTINGUISH ANY OPEN FLAME.
3. OPEN LID.
4. IF ODOR CONTINUES, KEEP AWAY FROM APPLIANCE AND IMMEDIATELY CALL YOUR GAS SUPPLIER OR YOUR FIRE DEPARTMENT.

WARNING

1. Do not store or use gasoline or other flammable liquids or vapors in the vicinity of this or any other appliance.
2. An LP cylinder not connected for use shall not be stored in the vicinity of this or any other appliance.

Failure to follow the instructions as written, or installation by other than a trained professional, will void all manufacturer warranties.

Installer Company or Service Name: _____

Technician Name: _____ Installation Date: _____

WARNING

This conversion kit shall be installed by a qualified service agency in accordance with the manufacturer's instructions and all applicable codes and requirements of the authority having jurisdiction. If the information in these instructions is not followed exactly, a fire, explosion or production of carbon monoxide may result causing property damage, personal injury or loss of life. The qualified service agency is responsible for the proper installation of this kit. The installation is not proper and complete until the operation of the converted appliance is checked as specified in the manufacturer's instructions supplied with the kit.




IMPORTANT: FILL OUT PRODUCT RECORD INFORMATION BELOW.

Model Number: _____


Serial Number: _____ Date Purchased: _____


TABLE OF CONTENTS

General Warnings	3
Assembly Instructions	4-7
Connecting to Natural Gas Source	8
Leak Testing	8-10
Pre-start Check List	11
Lighting Instructions	11
Warranty Information	Back Cover

-  **DANGER:** Indicates an imminently hazardous situation which, if not avoided, will result in death or serious injury.
-  **WARNING:** Be alert to the possibility of serious bodily injury if the instructions are not followed. Be sure to read and carefully follow all of the messages.
-  **CAUTION:** Indicates a potentially hazardous situation which, if not avoided, may result in minor or moderate injury.

CALIFORNIA PROPOSITION 65 WARNING

 **WARNING:** This product can expose you to chemicals, including carbon monoxide, which are known to the State of California to cause cancer and birth defects or other reproductive harm.
For more information go to www.P65Warnings.ca.gov.

 **WARNING: CONTAINS LEAD. MAY BE HARMFUL IF EATEN OR CHEWED. COMPLIES WITH FEDERAL STANDARDS. KEEP OUT OF REACH OF CHILDREN.**

WARNING

- **FOR OUTDOOR USE ONLY. DO NOT** operate indoors or in an enclosed area such as a garage, shed or breezeway.
- **Use your grill OUTDOORS** in a well ventilated space away from dwellings or other buildings to prevent dangers associated with gas accumulation and toxic vapors. We recommend your grill be situated at least 10 feet (3.1 m) from buildings.
- **Maintain a minimum clearance of 36 inches (91 cm) between all sides of grill and walls or other combustible material. DO NOT** use grill under overhead unprotected combustible construction.
- **DO NOT** use or install this grill in or on a recreational vehicle and/or boat.

INSTALLATION INFORMATION:

The installation of this appliance must be in accordance with:
All applicable local codes, or in the absence of local codes, either:

- National Fuel Gas Code ANSI Z223.1 NFPA 54
- Natural Gas and Propane Installation Code: CAN/CGA B149.1
- Natural Gas Installation Code: CAN/CGA B149.1 (Canada)

This kit converts your grill for natural gas use at 7 inch water column supply pressure. To check your pressure contact your local natural gas company. If the supply pressure is different than 7 inch, contact a professional service technician for assistance. **Not for use with LP gas.**

DANGER

Connection should be made by a professional service technician. Supply the technician with a copy of these instructions. Incorrect connection can result in a gas leak with possibility of fire.

GENERAL WARNINGS

WARNING

- Never use liquid propane gas in a unit designed for natural gas.
- Never use charcoal or wood briquette in a gas grill. Flavoring chips must be contained in a metal smoking box to contain ash and prevent fires.
- Leak test all connections before first use, even if grill was purchased fully assembled.
- Never check for leaks using a match or open flame.

 **CAUTION:** Strong odors, colds, sinus congestion, etc. may prevent the detection of natural gas. Use caution and common sense when testing for leaks.

- Always keep your gas grill free and clear of gasoline, lighter fluid, paint thinner, or other flammable vapors and liquids or combustible materials.
- Always check the grill prior to each use as indicated in the “Pre-Start Check List” section of this manual.
- DO NOT obstruct the flow of combustion or ventilation air.
- Keep children and pets away from hot grill. DO NOT allow children to use or play near this grill.
- DO NOT leave the grill unattended while in use.
- DO NOT allow the gas hose to come in contact with hot surfaces.
- DO NOT allow grease from drain hole to fall on hose.
- Keep any electrical supply cords away from water or heated surfaces.
- Keep a fire extinguisher on hand acceptable for use with gas products. Refer to your local authority to determine proper size and type.
- For household use only. DO NOT use this grill for anything other than its intended purpose.
- DO NOT use while under the influence of drugs or alcohol.
- Grill is hot when in use. To avoid burns:
 - DO NOT attempt to move the grill.
 - Lock the wheels so the unit does not accidentally move.
 - Wear protective gloves or oven mitts.
 - DO NOT touch any hot grill surfaces.

 **USE CAUTION AND COMMON SENSE WHEN OPERATING YOUR GAS GRILL.**

**FAILURE TO ADHERE TO THE SAFETY WARNINGS AND GUIDELINES IN THIS MANUAL
COULD RESULT IN SEVERE BODILY INJURY OR PROPERTY DAMAGE.**

SAVE THIS MANUAL FOR FUTURE REFERENCE.

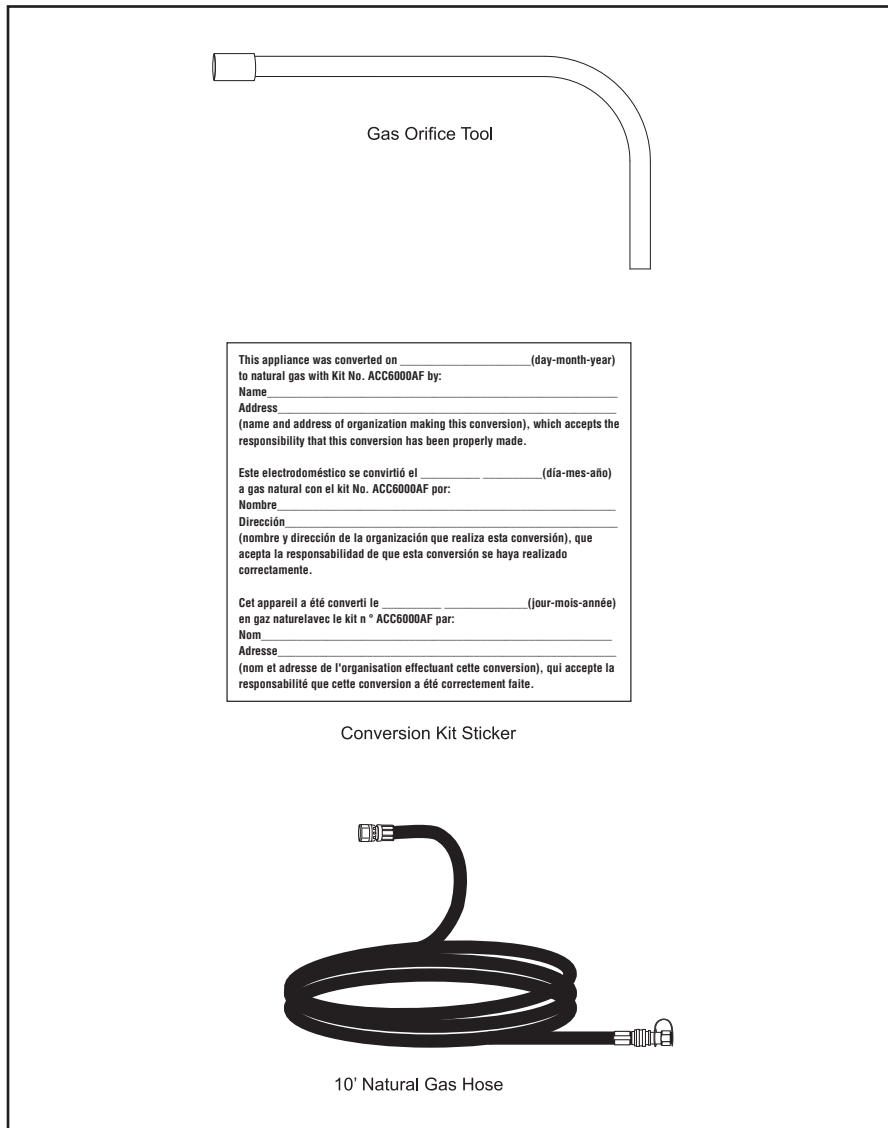
ASSEMBLY INSTRUCTIONS

**⚠ YOU MUST BE A PROFESSIONAL SERVICE TECHNICIAN TO CONVERT THIS GRILL.
READ ALL SAFETY WARNINGS & ASSEMBLY INSTRUCTIONS CAREFULLY
BEFORE ASSEMBLING OR OPERATING THE CONVERTED GRILL.**

The following tools are required to assemble the Conversion Kit:

- Phillips and Flathead Screwdrivers
- Adjustable Wrench
- 3/4 Wrench

PARTS CONTENTS



Inspect contents of the box to ensure all parts are included and undamaged.

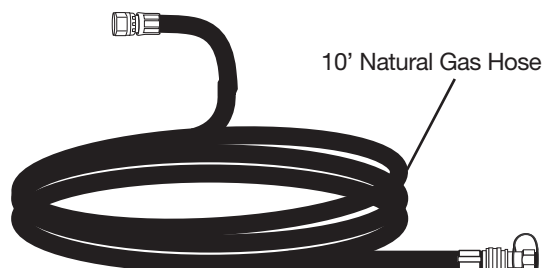
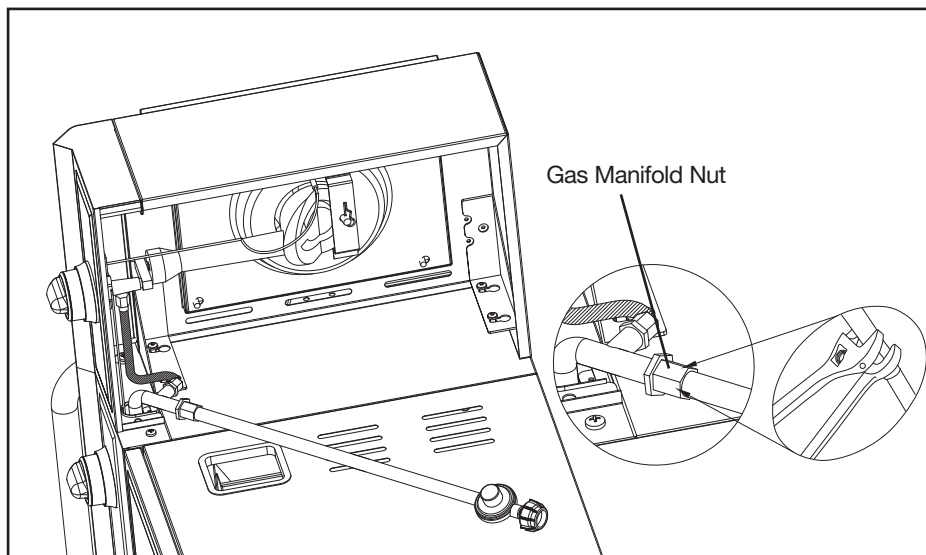
CONVERSION INSTRUCTIONS GAS7480AS/GAS7480BS

⚠ CAUTION: Some parts may contain sharp edges. Wear protective gloves if necessary.

Note: Make sure all control knobs are in the off position, LP tank valve is closed and tank is disconnected from regulator and removed from grill.

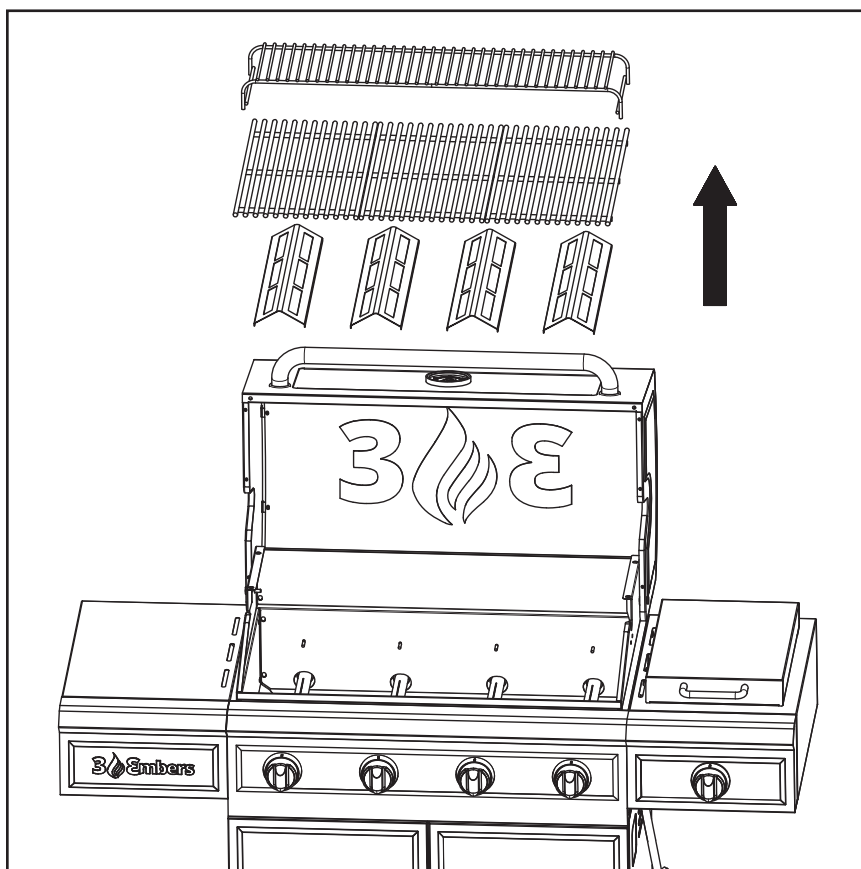
Step 1

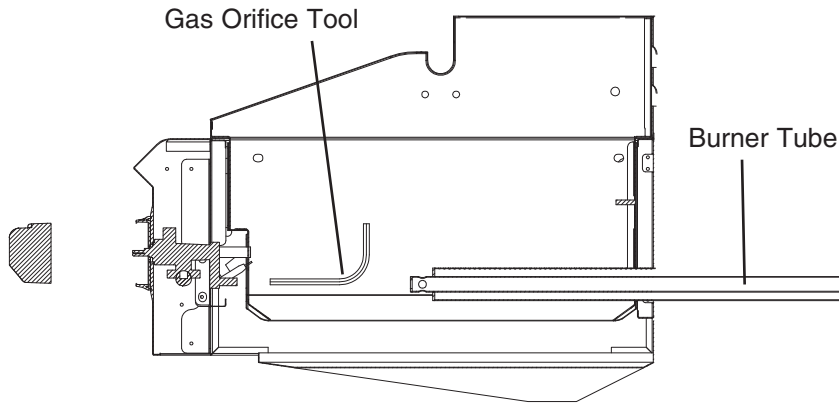
Using an adjustable wrench to hold the gas manifold connection secure, use a 3/4" wrench to loosen the hose connection nut. Replace existing LP hose/regulator assembly with natural gas 10' hose assembly. Tighten the connection carefully using two wrenches.



Step 2

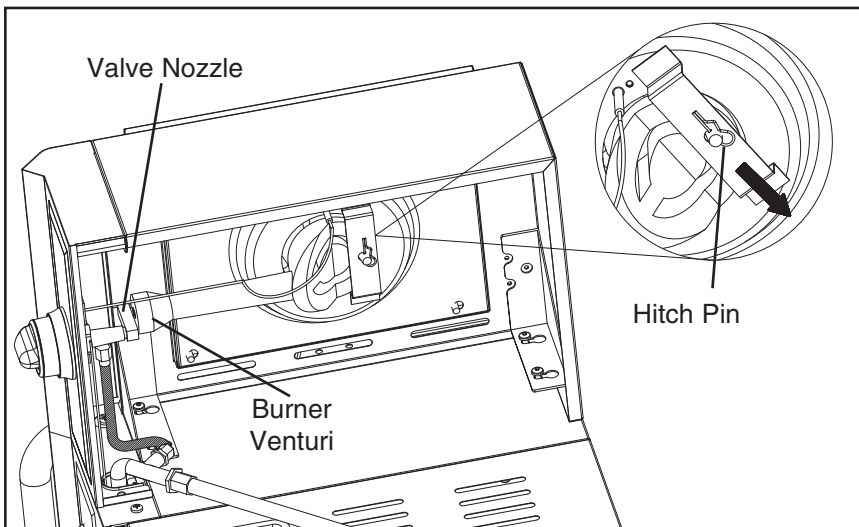
Open hood and remove warming rack, cooking grills and heat shields. Set aside for later use.





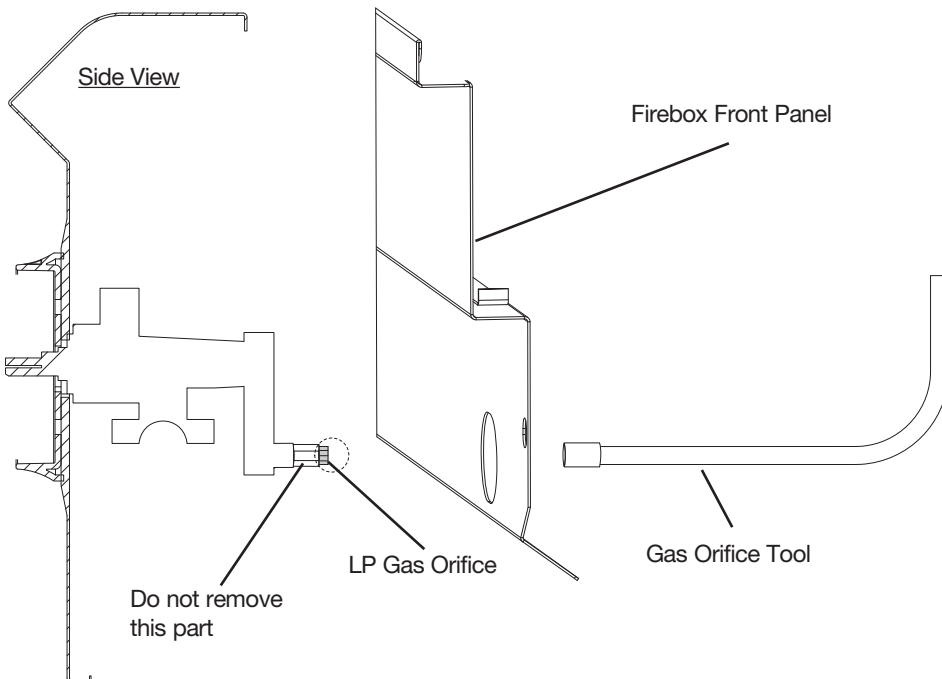
Step 3

Remove two screws from each burner which are located in back of grill.
Remove burners from back of grill.



Step 4

Remove hitch pin from side burner.
Carefully lift side burner up and away from valve nozzle.



Step 5

Use the gas orifice tool to remove the LP brass orifice from each main burner valve, through the hole on the firebox front panel. Repeat this step for side burner valve in your grill. The side burner valve orifice is under the side shelf.

Note: All orifices of the grill are double orifices (LP gas and natural gas). You only remove the LP gas orifice tip.

Step 6

Make sure all control knobs are OFF, then remove all control knobs.

Step 7

Tighten screw on each control valve as shown in Figure 1. Replace control knobs when finished.

Note: This screw regulates the low flame setting for natural gas. After replacing knobs you will notice the knobs will stop at the "MED" setting on the dial. This is the correct low setting for natural gas. Do not try to turn the knob to "LO" setting.

Step 8

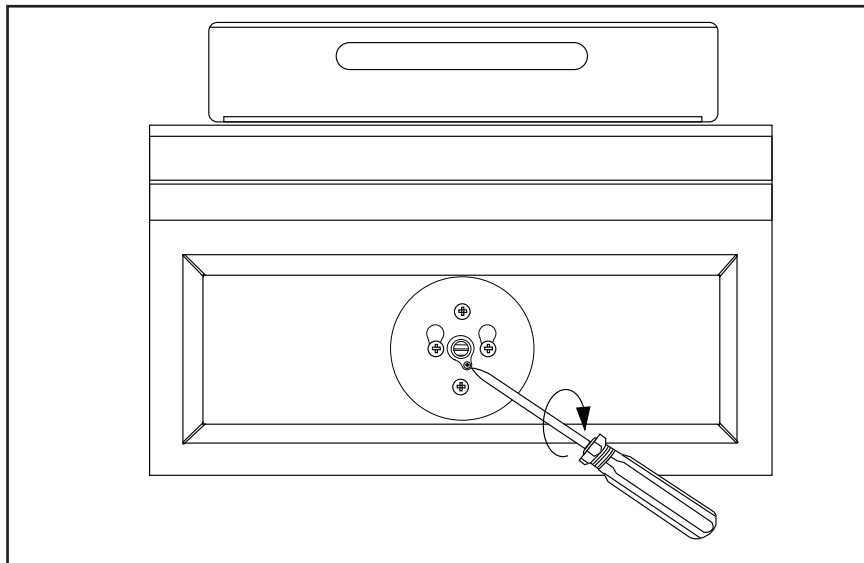
Carefully replace each burner, making sure burner openings slide over valve nozzles and burner holes are facing up. Reattach burner screws and hitch pin.

Step 9

Replace warming rack, cooking grills and heat shields.

Note: Follow directions in the leak testing section of this manual before using this grill.

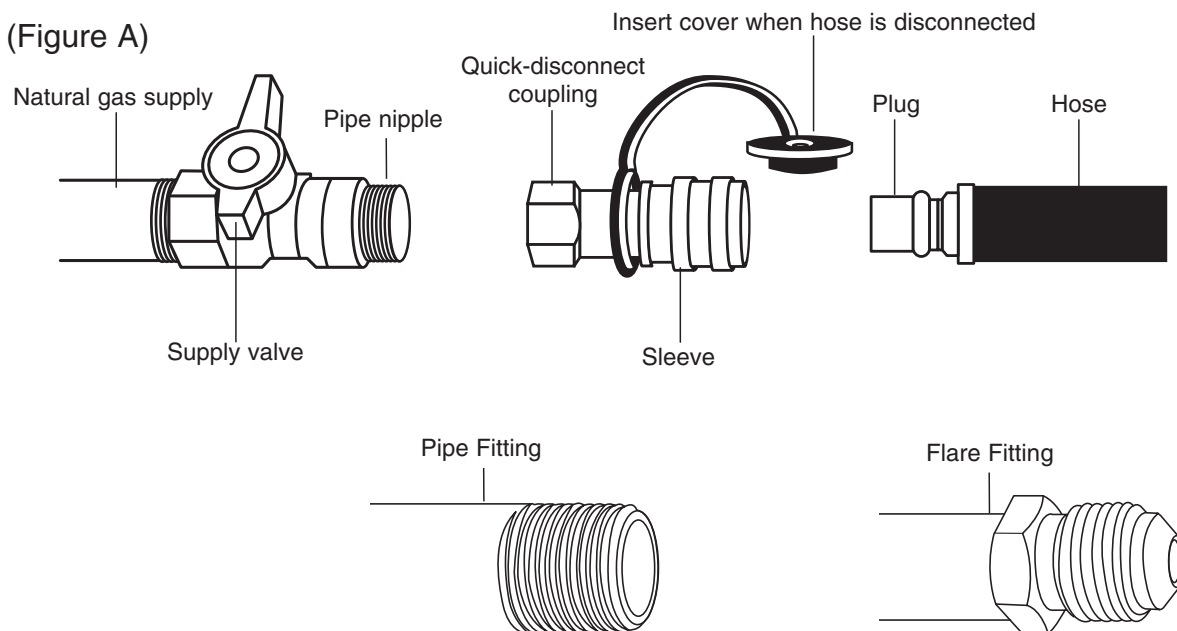
FIGURE 1



CONNECTING YOUR GRILL TO THE NATURAL GAS SOURCE

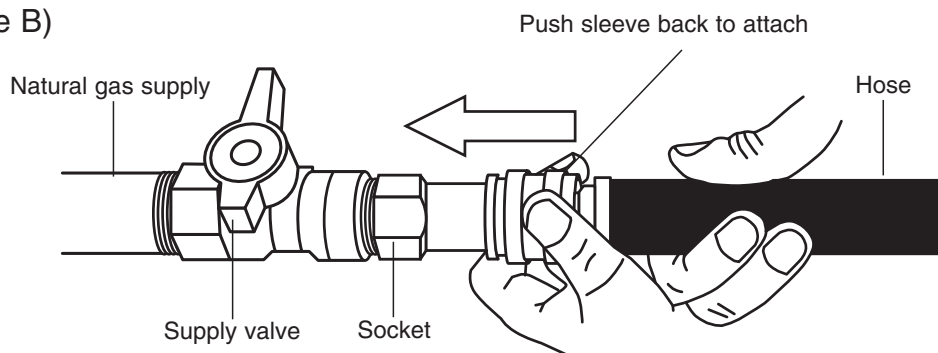
1. Coat pipe nipple with gas resistant teflon tape or pipe dope. Tighten quick-disconnect coupling onto pipe nipple that leads to natural gas supply (Figure A).
2. After grill is completely assembled, make sure natural gas supply valve is “OFF” and then connect natural gas hose to socket. Push sleeve back on socket (Figure B) and insert plug until sleeve snaps forward, locking plug into socket. Be sure to leak test these connections prior to use.

(Figure A)



When attaching the quick disconnect to your natural gas supply line, use a pipe fitting, **DO NOT** use a flare fitting.

(Figure B)



DISCONNECTING YOUR GRILL FROM THE NATURAL GAS SOURCE

1. Turn natural gas supply valve “OFF”
2. To disconnect, push sleeve back and pull plug out of sleeve.

⚠ WARNING

- Never use your grill without leak testing all gas connections and hoses. See the section on “Leak Testing” in this manual for proper procedures.
- Visually inspect the hose assembly prior to each use for evidence of damage, excess wear or deterioration. If found, replace the assembly before using your grill. Only the manufacturer’s supplied replacement should be used.
- During assembly or conversion to natural gas, keep the supply hoses free of kinks and/or damage.

⚠ WARNING

AVOID HARD METAL PIPING

- **DO NOT** use hard metal piping of any kind to connect this converted natural gas grill. Use only natural gas hose specified by the manufacturer. Using hard metal piping or convoluted metal tubing is an unsafe practice. Movement of the grill can cause breakage of metal pipe.

⚠ DANGER

LEAK TESTING:

To prevent fire or explosion hazard:

- **DO NOT** smoke or permit ignition sources in the area while conducting a leak test.
- Perform test **OUTDOORS** only in a well ventilated area.
- Never perform a leak test with a match or open flame.
- Never perform a leak test while the grill is in use or while grill is still hot.

⚠ WARNING

WHEN TO PERFORM A LEAK TEST:

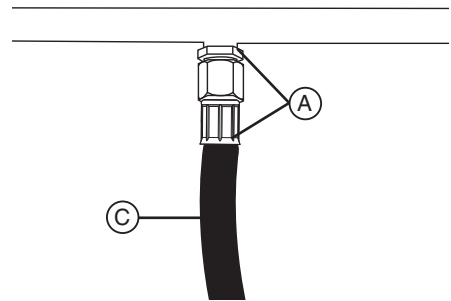
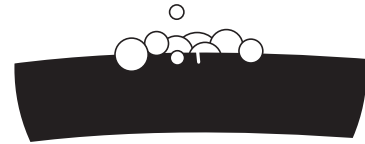
- After assembling or converting your natural gas grill and before lighting for the first time, even if purchased fully assembled.
- Any time the gas components are replaced.
- Any time your grill has been moved.
- At least once per year or if your grill has not been used for more than 60 days.

CHECKING FOR LEAKS:

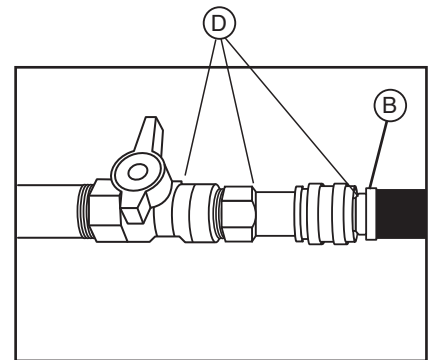
1. Create a mixture of 50% water and 50% liquid dishwashing soap.
2. Open the lid.
3. Ensure all control knobs are set to the “OFF” position.
4. Ensure gas hose is tightly connected to gas source.
5. Turn on the fuel supply at the source.
6. Apply the soap water mixture to the following:

- Ⓐ Hose connection to gas manifold.
- Ⓑ Brass connections and quick disconnect assembly.
- Ⓒ The full length of gas supply hose.
- Ⓓ Quick disconnect coupler.

Watch For Bubbles



7. Check each place listed (A–D) for growing bubbles which indicates a leak.
8. Turn off gas supply at source.
9. Turn on control knobs to release gas pressure in hose.
10. Turn control knobs to “OFF” position.
11. Tighten any leaking connections.
12. Repeat soapy water test until no leaks are detected.
13. Turn off gas supply at source until you are ready to use your grill.
14. Wash off soapy residue with cold water and towel dry.
15. Wait 5 minutes to allow all gas to evacuate the area before lighting grill.



⚠ CAUTION: DO NOT use the grill if leaks cannot be stopped.

Note: The leak test must be performed in an area that has adequate lighting in order to see if bubbles are developing.

⚠ WARNING

Property damage, bodily harm, severe burns, and death could result from failure to follow these safety steps. These steps should be performed after the grill has been assembled and prior to each use. **DO NOT** operate this grill until you have read and understand **ALL** of the warnings and instructions in this manual.

PRE-START CHECK LIST:

- Ensure that the grill is properly assembled.
- Inspect the gas supply hose for burns, chaffing, kinks, and proper routing before each use. If it is evident there is excessive abrasion or wear, or the hose is cut, it must be replaced prior to the grill being used.
- Leak check all gas connections and hose. See section on “Leak Testing”
- Ensure that all electrical supply cords are properly grounded. Keep any electrical supply cord and the fuel supply hose away from any heated surfaces. Hose should be at least 3 inches from hot surfaces.
- Position your grill on level ground in a well ventilated location, a safe distance from combustible materials, buildings and overhangs.
- Properly place the empty grease tray under the grease drain hole in the bottom of the grill to catch grease during use.
- **DO NOT** obstruct the flow of combustion and ventilation air.

⚠ WARNING

Read, understand and follow all warnings and instructions contained in this manual. **DO NOT** skip any of the warnings and instructions contained in the preceding sections of this manual.

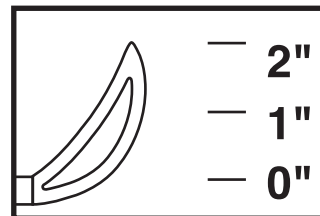
⚠ WARNING

LIGHTING INSTRUCTIONS:

Follow the instructions in your grill owners manual or on the control panel of the grill.

1. **OPEN THE GRILL LID** before attempting to light a burner so that fumes do not accumulate inside the grill. An explosion could occur if grill lid is down.
2. Check that all burner control knobs are turned to the “OFF” position.
3. **DO NOT** stand with head, body, or arms over the grill when lighting.

Note: Observe flame height of main burner when lit:
Flame should be a Blue/Yellow color between
1”–2” when burner is on “HIGH”.

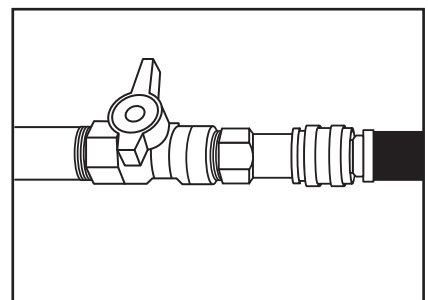


TURNING OFF THE GRILL:



1. Turn off the gas at the source.
2. Turn all burner control knobs to the “OFF” position.

⚠ CAUTION:

- The natural gas source should always be in the off, or closed position when the grill is not in use.
- Refer to your grill owner’s manual for grill operating instructions.
- Apply conversion kit sticker to an area near the rating label to show the grill has been converted for use with natural gas.



ADVERTENCIAS IMPORTANTES DE SEGURIDAD

QUEREMOS QUE USTED UTILICE EL EQUIPO DE CONVERSIÓN PARA SU PARRILLA DE LA MANERA MÁS SEGURA POSIBLE. LA FINALIDAD DE ESTE SÍMBOLO DE ALERTA DE SEGURIDAD  ES ATRAER SU ATENCIÓN A LOS POSIBLES RIESGOS QUE IMPLICA LA CONVERSIÓN DE ESTA PARRILLA PARA UTILIZARLA CON GAS NATURAL. CUANDO VEESTE SÍMBOLO DE ALERTA DE SEGURIDAD , ¡LEA DETENIDAMENTE LA INFORMACIÓN QUE SIGUE!

LEA MUY BIEN TODAS LAS ADVERTENCIAS E INSTRUCCIONES DE SEGURIDAD ANTES DE CONVERTIR Y OPERAR SU PARRILLA.

PELIGRO

SI HUELE A GAS:

1. CIERRE EL SUMINISTRO DE GAS AL APARATO.
2. EXTINGA TODA LLAMA ABIERTA.
3. ABRA LA CUBIERTA.
4. SI EL OLOR PERSISTE, ALÉJESE DEL APARATO Y LLAME DE INMEDIATO A SU PRPOVEEDOR DE GAS O A LA ESTACIÓN DE BOMBEROS.

ADVERTENCIA

1. No almacene o utilice gasolina u otros líquidos o vapores inflamables cerca de este u otros aparatos.
2. Un cilindro de gas LP no conectado para el uso no podrá ser almacenado cerca de este u otros aparatos.

Si las instrucciones escritas dadas aquí se ignoran o una persona que no sea un profesional capacitado instala el aparato, toda garantía del fabricante quedará anulada.

Nombre de la compañía instaladora o de servicio: _____

Nombre del técnico: _____ Fecha de instalación: _____

ADVERTENCIA

Este kit de conversión debe ser instalado por una agencia de servicio calificado de acuerdo con las instrucciones del fabricante y todos los códigos y requisitos aplicables de la autoridad que tenga jurisdicción. Si la información en estas instrucciones no se sigue exactamente, un incendio, explosión o producción de monóxido de carbono puede causar daños a la propiedad, lesiones personales o la muerte. La agencia de servicio calificada es responsable de la correcta instalación de este kit. La instalación no es correcta y completa hasta que se verifique el funcionamiento del artefacto convertido como se especifica en las instrucciones del fabricante suministradas con el kit.




IMPORTANTE: Llene la información de registro del producto a continuación.

Número de modelo: _____

Número de serie: _____ Número de serie: _____

ÍNDICE DE MATERIAS

Advertencias Generales	14
Instrucciones de Ensamblado	15-18
Cómo Conectar a una Fuente de Gas Natural	19
Prueba de Detección de Fugas	19-21
Lista de Revisión Antes del Primer Uso.	22
Instrucciones de Encendido	22
Información de la Garantía.	Cubierta trasera

-  **PELIGRO:** Indica una situación peligrosa inminente que, de no ser evitada, resultará en la muerte o en una lesión grave.
-  **ADVERTENCIA:** Manténgase alerta ante la posibilidad de una lesión corporal grave si no sigue las instrucciones. Asegúrese de leer y seguir cuidadosamente todos los mensajes.
-  **PRECAUCIÓN:** Indica una posible situación peligrosa que, de no ser evitada, podría ocasionar una lesión menor o moderada.



ADVERTENCIA DE LA PROPOSICIÓN 65 DE CALIFORNIA

ADVERTENCIA: este producto puede exponerlo a productos químicos, incluido el monóxido de carbono, que son conocidos por el estado de California para causar cáncer y nacimiento de defectos u otro daño reproductivo. Para obtener más información, vaya a www.P65Warnings.ca.gov.



ADVERTENCIA: CONTIENE PLOMO PUEDE SER NOCIVO SI COMER O CHOCAR.

CUMPLE CON ESTÁNDARES FEDERALES. MANTENER FUERA DEL ALCANCE DE LOS NI-

ADVERTENCIA

- **PARA USO EXTERNO ÚNICAMENTE. NO utilice esta parrilla en interiores o lugares cerrados como cocheras, cobertizos o pasadizos techados abiertos.**
- **Use su parrilla AFUERA en un lugar bien ventilado lejos de viviendas u otros edificios para evitar peligros relacionados con la acumulación de gas y vapores tóxicos. Recomendamos que su parrilla esté situada por lo menos a 10 pies (3.1 m) de cualquier edificio. Quien la ponga a una distancia más cercana obstaculizará su debida ventilación y posiblemente incrementará el riesgo de un incendio y/o de daños a la propiedad que podrían también causar lesiones personales.**
- **Conserve una distancia mínima de 36 pulgadas (91 cm) entre todos los lados de la parrilla, del barandal de la cubierta, de un muro u otro material combustible. NO utilice la parrilla debajo de construcciones no protegidas que puedan incendiarse.**
- **NO utilice o instale esta parrilla en o sobre un vehículo recreativo y/o lancha.**

INFORMACIÓN SOBRE LA INSTALACIÓN:

La instalación de este electrodoméstico debe cumplir con todos los códigos locales pertinentes o en caso de no haberlos, con el:

- Códigonal para gas combustible ANSI Z223.1 NFPA 54
- Códigopara la instalación de gas natural y propano: CAN/CGA B149.1
- Códigopara la instalación de gas natural: CAN/CGA B149.1 (Canadá)

Este equipo convierte su parrilla a una que funciona con gas natural suministrado a una presión de 7 pulgadas de columna de agua. Para averiguar su presión, llame a la compañía de gas de su localidad. Si la presión del suministro no es de 7 pulgadas, llame a un técnico profesional de servicio para que le ayude.

No debe usarse con gas LP.

⚠ PELIGRO

Sólo un técnico profesional de servicio debe realizar la conexión. Déle al técnico una copia de estas instrucciones. Una conexión incorrecta puede ocasionar una fuga de gas y un posible incendio.

ADVERTENCIAS GENERALES

⚠ ADVERTENCIA

- Nunca utilice gas propano líquido en una unidad hecha para gas natural.
- Nunca utilice briquetas de carbón vegetal o de leña en una parrilla de gas. Los trocitos para impartir sabor deben permanecer en una caja metálica para el ahumado para guardar la ceniza y prevenir incendios.
- Realice la prueba de detección de fugas en todas las conexiones antes del uso inicial, incluso si la parrilla fue comprada totalmente ensamblada y después de rellenar el tanque cada vez.
- Nunca use un fósforo (cerillo) o llama abierta para detectar fugase.
- ⚠ **PRECAUCIÓN:** Olores intensos, catarros, congestión de los senos nasales, etc. pueden dificultar o imposibilitar la detección de propano. Tenga precaución y use su sentido común al realizar la prueba de detección de fugas.
- Siempre mantenga su parrilla de gas sin gasolina, líquido para encendedores, diluyente de pintura (thinner) u otros vapores o líquidos inflamables o materiales combustibles.
- Siempre revise su parrilla antes de cada uso como lo indica la sección “Lista de revisión antes del primer uso” de este manual.
- NO obstruya el flujo del aire de combustión o ventilación.
- Mantenga a niños y mascotas lejos de la parrilla caliente. NO permita que los niños utilicen la parrilla para jugar o jueguen cerca de ella.
- NO deje la parrilla desatendida cuando la esté utilizando.
- NO permita que la manguera de gas toque superficies calientes.
- NO permita que la grasa del orificio de drenaje caiga sobre la manguera o el ensamblado del regulador de la válvula.
- Mantenga todos los cables de suministro eléctrico alejados del agua o de superficies calentadas.
- Para uso casero solamente. NO utilice esta parrilla para otra cosa que no sea la finalidad para la cual fue hecha.
- NO la use si está bajo la influencia de drogas o alcohol.
- La parrilla está muy caliente durante el uso. Para evitar quemaduras:
 - NO intente mover la parrilla.
 - Fije las ruedas para que su aparato no se mueva accidentalmente.
 - Póngase guantes protectores o guantes gruesos para el horno.
 - NO toque ninguna superficie caliente de la parrilla.
 - NO se ponga ropa suelta o permita que su cabello toque la parrilla.

⚠ TENGA PRECAUCIÓN Y USE SU SENTIDO COMÚN AL OPERAR SU PARRILLA DE GAS.

LA PERSONA QUE NO SIGA LAS ADVERTENCIAS Y DIRECTRICES DE SEGURIDAD CONTENIDAS EN ESTE MANUAL PODRÍA SUFRIR UNA LESIÓN GRAVE O TENER UN GRAN DAÑO A LA PROPIEDAD. GUARDE ESTE MANUAL PARA CONSULTARLO EN EL FUTURO.

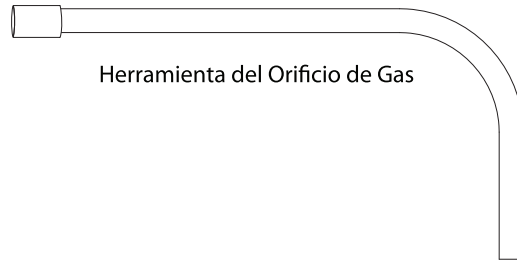
INSTRUCCIONES DE ENSAMBLADO

USTED DEBE SER UN TÉCNICO PROFESIONAL DE SERVICIO PARA CONVERTIR ESTA PARRILLA.
LEA DETENIDAMENTE TODAS LAS ADVERTENCIAS DE SEGURIDAD E INSTRUCCIONES DE
ENSAMBLADO ANTES DE ARMAR U OPERAR LA PARRILLA CONVERTIDA

Las siguientes herramientas son indispensables para ensamblar el equipo de conversión:

- Destornillador con cabeza Phillips
- Llave de tuercas ajustable
- 3/4 Llave de tuercas

PIEZAS INCLUIDAS:



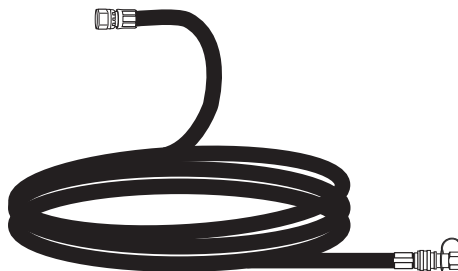
Herramienta del Orificio de Gas

This appliance was converted on _____ (day-month-year)
to natural gas with Kit No. ACC6000AF by:
Name _____
Address _____
(name and address of organization making this conversion), which accepts the
responsibility that this conversion has been properly made.

Este electrodoméstico se convirtió el _____ (día-mes-año)
a gas natural con el kit No. ACC6000AF por:
Nombre _____
Dirección _____
(nombre y dirección de la organización que realiza esta conversión), que
acepta la responsabilidad de que esta conversión se haya realizado
correctamente.

Cet appareil a été converti le _____ (jour-mois-année)
en gaz naturel avec le kit n° ACC6000AF par:
Nom _____
Adresse _____
(nom et adresse de l'organisation effectuant cette conversion), qui accepte la
responsabilité que cette conversion a été correctement faite.

Kit de conversión adhesivo



Manguera de Gas Natural de 10'

Inspeccione el contenido de la caja para asegurarse de que todas las piezas han sido
incluidas y están intactas.

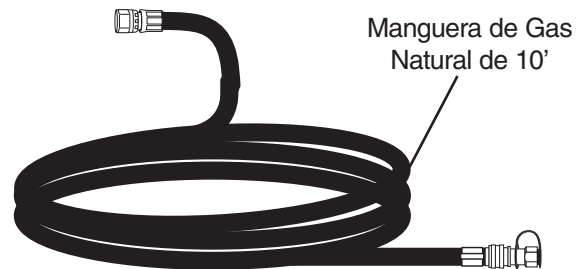
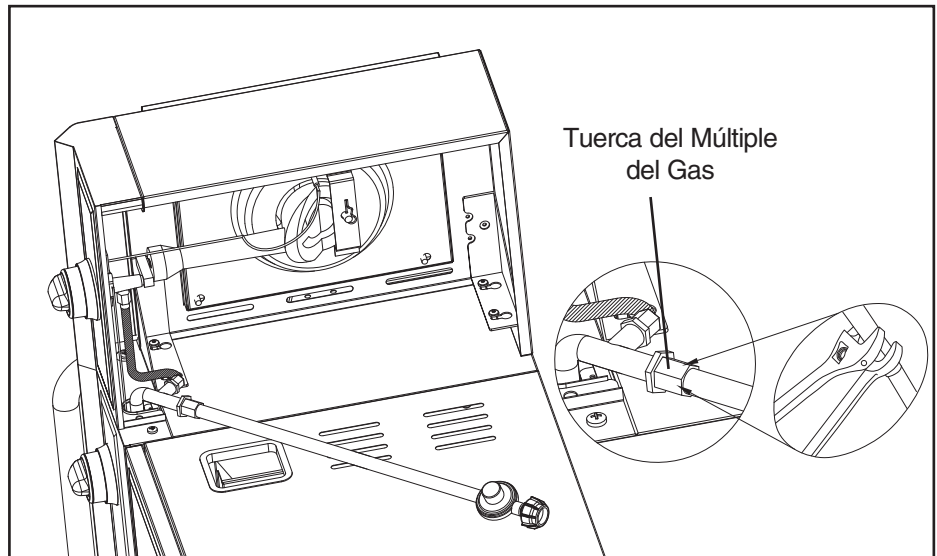
INSTRUCCIONES DE CONVERSIÓN GAS7480AS/GAS7480BS

⚠ PRECAUCIÓN: Algunas piezas pueden tener bordes filosos. Póngase guantes protectores en caso necesario.

Nota: Cerciórese de que todas las perillas de control estén en posición cerrada ("OFF"), que la válvula del tanque de gas LP esté cerrada y que el tanque haya sido desconectado del regulador y sacado de la parrilla.

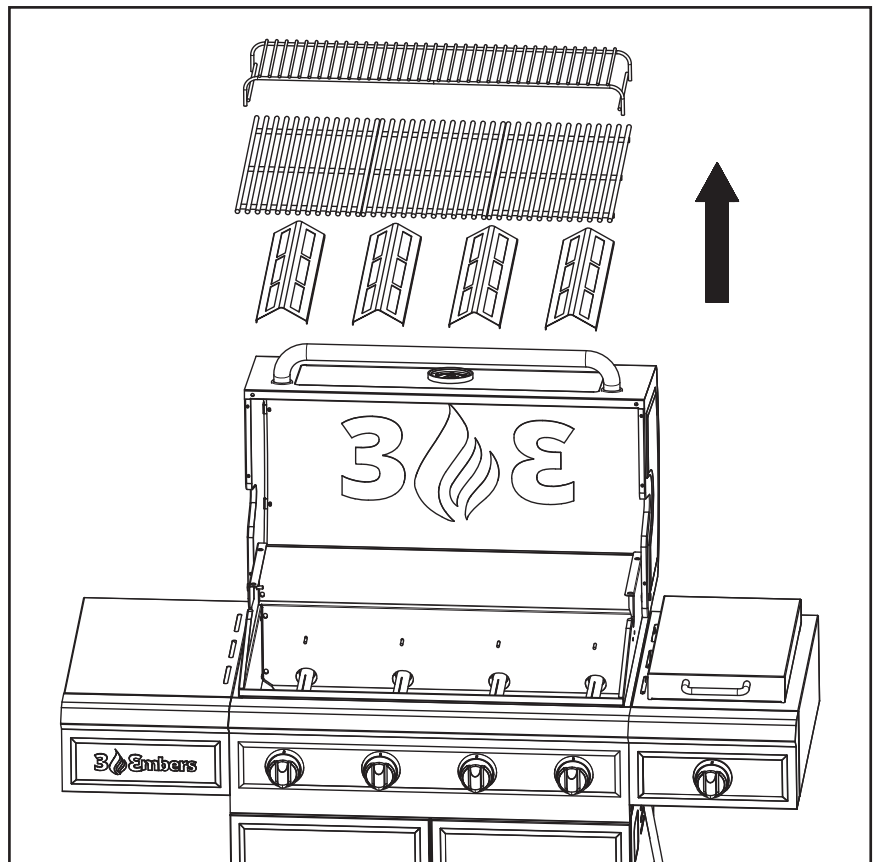
Paso 1

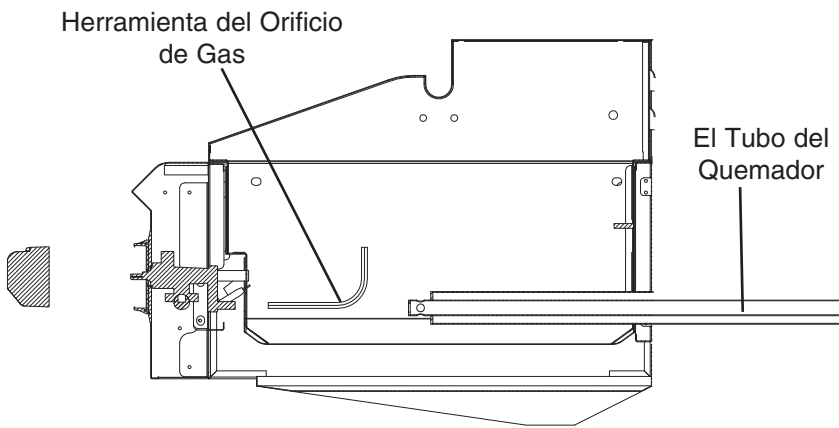
Utilizando una llave de tuercas ajustable para detener bien la conexión del múltiple del gas, use una llave de tuercas de 3/4" para aflojar la tuerca de conexión de la manguera. Reemplace el ensamblado manguera / regulador para gas LP existente con el ensamblado de la manguera de 10' para gas natural. Apriete cuidadosamente ambas conexiones con las dos llaves de tuercas.



Paso 2

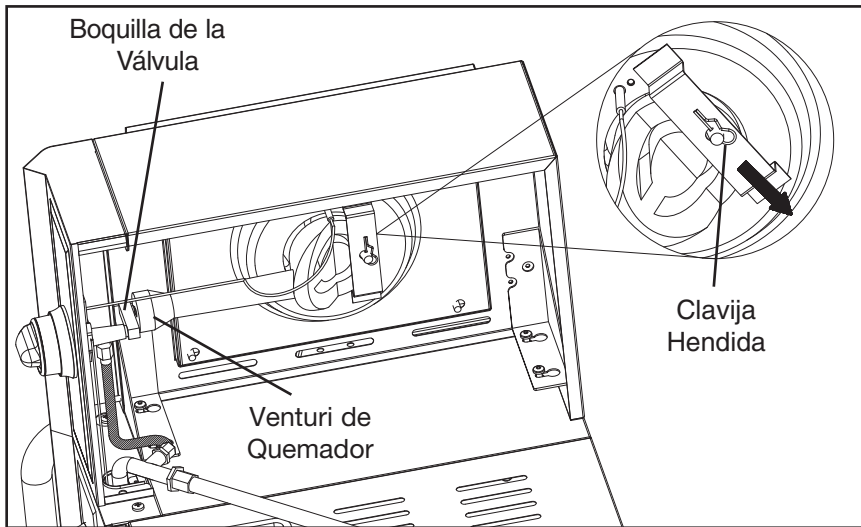
Abra la campana y quite la rejilla de calentamiento, las parrillas para cocinar y los escudos térmicos. Ponga todo a un lado para usarlo más tarde.





Paso 3

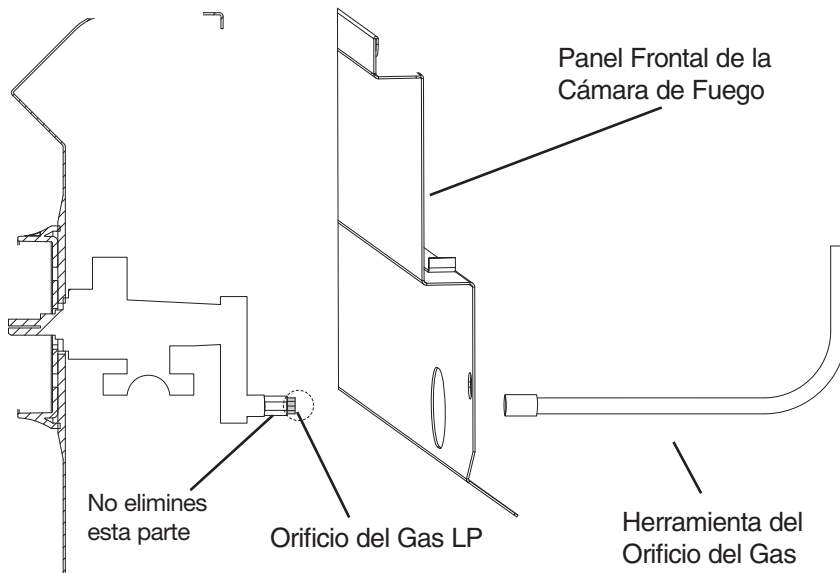
Retire los dos tornillos de cada quemador que se encuentra en la parte posterior de la parrilla. Retire los quemadores de la parte posterior de la parrilla.



Paso 4

Saque la clavija hendida de la «pata» del quemador lateral y con cuidado, levante el quemador lateral alejándolo de la boquilla de la válvula.

Vista Lateral



Paso 5

Use la herramienta del orificio del gas para quitar el orificio de latón para el gas LP de las válvulas del quemador principal, introduciéndola a través del agujero en el panel frontal de la cámara de fuego. Repita este paso para todas las válvulas del quemador principal y lateral en su parrilla. El orificio para la válvula del quemador lateral está bajo el anaquel lateral.

Nota: Todos los orificios de la parrilla son orificios tipo doble (gas del LP y gas natural). Quite solamente la extremidad del orificio del gas del LP.

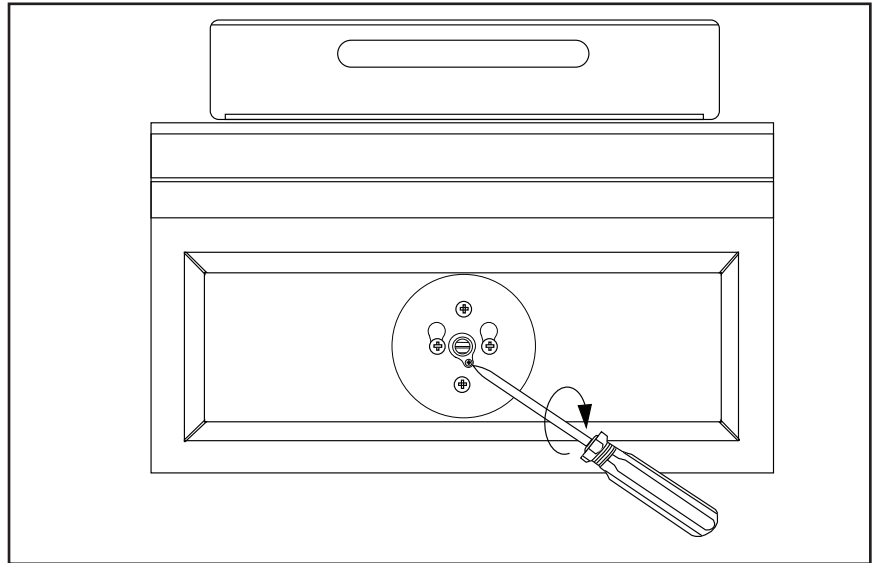
Paso 6

Asegúrese de que todas las perillas de control están APAGADOS, y quite todos los botones de control y dejar a un lado para su uso posterior.

Paso 7

Apretar el tornillo en cada válvula de control como se muestra en la Figura 1. Vuelva a colocar las perillas de control cuando haya terminado.

Nota: Este tornillo regula el ajuste de llama baja para el gas natural. Después de reemplazar las perillas, notará que las perillas se detendrán en el ajuste "MED" del dial. Este es el ajuste correcto para el gas natural. No intente girar la perilla a la posición "LO".



Paso 8

Vuelva a colocar cuidadosamente cada quemador, por lo que las aberturas del quemador estén deslizando sobre las boquillas de las válvulas todos los orificios del quemador estén mirando hacia arriba. Vuelva a colocar los tornillos de los quemadores y un pasador de acoplamiento.

Paso 9

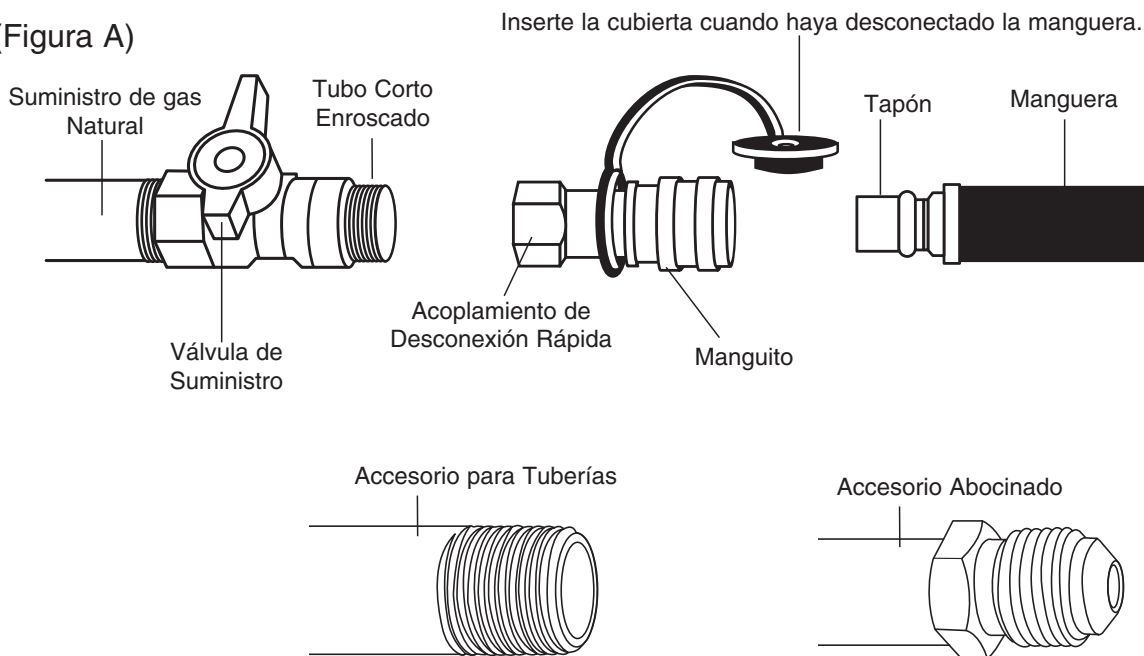
Vuelva a colocar en sus lugares la rejilla de calentamiento, las parrillas para cocinar y los escudos térmicos.

Nota: Antes de utilizar esta parrilla, siga las instrucciones en la sección de prueba de detección de fugas de este manual.

CÓMO CONECTAR SU PARRILLA AL SUMINISTRO DE GAS NATURAL

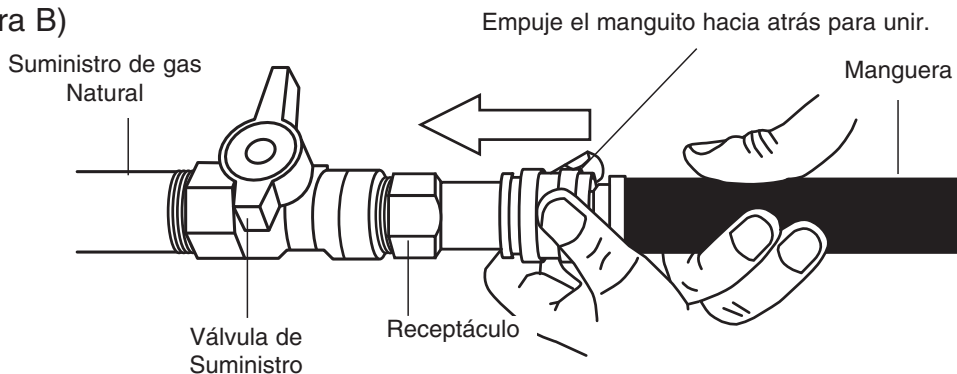
1. Aplíquese lubricante o una cinta de Teflon resistente al gas al tubo corto enroscado. Apriete el acoplamiento de desconexión rápida al tubo corto enroscado que va al suministro de gas natural (Figura A).
2. Una vez que la parrilla haya sido ensamblada totalmente, asegúrese de que la válvula de suministro del gas natural esté cerrada ("APAGADO") y luego conecte la manguera del gas natural al receptáculo. Empuje el manguito de regreso al receptáculo (Figura B) e inserte el tapón hasta que el manguito haga un chasquido y se mueva hacia delante, fijando al tapón en el receptáculo. No se olvide realizar la prueba de detección de fugas en estas conexiones antes del uso.

(Figura A)



Al anexar la desconexión rápida a la línea del suministro de gas natural, use un accesorio para tuberías. NO use un accesorio abocinado.

(Figura B)



CÓMO DESCONECTAR SU PARRILLA DEL SUMINISTRO DE GAS NATURAL

1. Cierre la válvula de gas natural (gírela a la posición "APAGADO")
2. Para cerrarla, empuje el manguito de regreso y saque el tapón del manguito.

ADVERTENCIA

- Nunca utilice su parrilla sin antes haber revisado todas las conexiones y tuberías de gas para detectar fugas. Consulte la sección sobre “La Prueba de Detección de Fugas” en este manual para saber cómo proceder debidamente.
- Realice una inspección visual del ensamblado de la manguera antes de cada uso para descubrir daños, desgaste excesivo o deterioro. Si es así, reemplace el ensamblado antes de utilizar su parrilla. Sólo debe utilizar el repuesto suministrado por el fabricante.
- Durante el ensamblado o la conversión a gas natural, mantenga las mangueras de suministro sin ninguna torcedura y revise que no estén dañadas.

ADVERTENCIA

EVITE TUBERÍAS METÁLICAS DURAS

- NO use tuberías de metal duro de cualquier tipo para conectar esta parrilla convertida a gas natural. Use solamente la manguera para gas natural que especifica el fabricante. Es inseguro utilizar tuberías metálicas duras o enrolladas, ya que al mover la parrilla pueden romperse las tuberías de metal.

PELIGRO

PRUEBA DE DETECCIÓN DE FUGAS:

Para evitar un incendio o riesgo de explosión:

- NO fume ni permita fuentes ignífugas en la zona donde realice la prueba de detección de fugas.
- Realice la prueba AFUERA y sólo en una zona bien ventilada.
- Nunca realice una prueba de revisión de fugas con un fósforo (cerillo) o con una llama abierta.
- Nunca realice una prueba de revisión de fugas mientras está utilizando la parrilla o cuando ésta todavía está caliente.

ADVERTENCIA

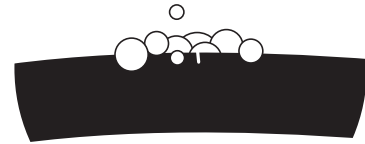
CUÁNDO REALIZAR UNA PRUEBA DE DETECCIÓN DE FUGAS:

- Tras haber ensamblado o convertido su parrilla para usarla con gas natural y antes de encenderla por primera vez, incluso si la compró totalmente ensamblada.
- Cada vez que reemplace componentes para el gas.
- Cada vez que su parrilla haya sido movida.
- Por lo menos una vez al año si no ha utilizado su parrilla por más de 60 días.

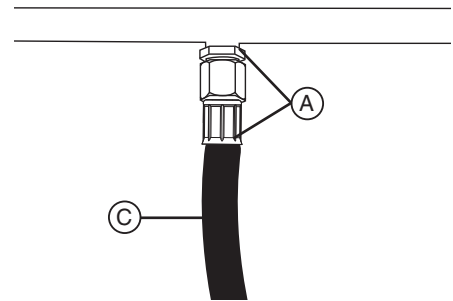
CÓMO REVISAR PARA ENCONTRAR FUGAS:

1. Elabore una mezcla de 50% agua y 50% de jabón líquido lavaplatos.
2. Abra la cubierta.
3. Fíjese que todas las perillas de control estén en posición "APAGADO".
4. Cerciórese de que la manguera del gas esté bien conectada.
5. Abra el suministro de gas en la fuente.
6. Aplique la mezcla de jabón y agua a las siguientes piezas:

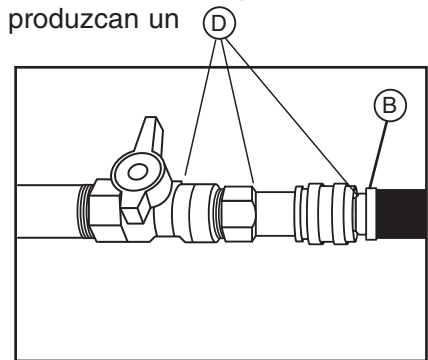
Fíjese si salen
Burbujas



- (A) Manguera conectora al multiple del gas.
- (B) Conexiones de latón y conjunto de desconexión rápida.
- (C) La longitud total de la mangueras suministradora de gas.
- (D) Acoplamiento de desconexión rápida.



7. Revise cada lugar enumerado (A–D) para ver si salen burbujas que indicarían una fuga. Es posible que las fugas grandes no se detecten por medio de burbujas, sino que produzcan un sonido de ráfaga u olor a gas.
8. Cierre el suministro de gas en la fuente.
9. Abra las perillas de control para dejar salir la presión del gas en la manguera.
10. Gire las perillas de control a la posición de "APAGADO".
11. Apriete toda conexión con fugas.
12. Repita la prueba con el agua jabonosa hasta no detectar ninguna fuga.
13. Cierre el suministro de gas en la fuente hasta que esté listo para utilizar su parrilla.
14. Lávese el residuo jabonoso con agua fría y séquese con una toalla.
15. Espere 5 minutos para permitir que todo el gas se salga del área antes de encender la parrilla.



⚠ PRECAUCIÓN: NO use la parrilla si no puede tapar las fugas..

Nota: La prueba de detección de fugas debe realizarse en una zona bien iluminada para que pueda ver si están saliendo burbujas.

⚠ ADVERTENCIA

Daños a la propiedad, lesiones corporales, quemaduras graves y la muerte pueden ocurrir si usted no sigue estas medidas de seguridad que deben tomarse tras haber ensamblado la parrilla y antes de cada uso. NO utilice esta parrilla hasta que haya leído y entendido TODAS las advertencias e instrucciones de este manual.

LISTA DE REVISIÓN ANTES DEL PRIMER USO:

- Asegúrese de que la parrilla haya sido ensamblada debidamente.
- Inspeccione la manguera suministradora de gas para detectar quemaduras, rozaduras, torceduras y el recorrido correcto antes de cada uso. Si es obvio que hay demasiada abrasión o desgaste o si la manguera ha sido cortada, debe reemplazarla antes de utilizar su parrilla.
- Revise todas las conexiones de gas y la manguera para detectar fugas. Consulte la sección “Prueba de detección de fugas”.
- Asegúrese de que todos los cables de suministro eléctrico estén conectados a tierra debidamente. Mantenga todo cable de suministro eléctrico y la manguera suministradora de combustible lejos de cualquier superficie caliente. La manguera debe estar por lo menos a 3 pulgadas (7.5 cm) de superficies calientes.
- Coloque debidamente la bandeja vacía de grasa bajo el orificio de drenaje de grasa en la parte inferior de la parrilla para atrapar a la grasa que gotea durante el uso.
- Colocar correctamente la bandeja de recolección de grasa vacía debajo del agujero de drenaje de grasa en la parte inferior de la parrilla para contener la grasa durante el uso.
- NO obstruya el flujo del aire de combustión y ventilación.

⚠ ADVERTENCIA

Lea, entienda y siga todas las advertencias e instrucciones contenidas en este manual. NO se salte ninguna advertencia e instrucción contenida en las secciones anteriores de este manual.

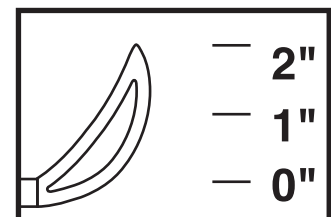
⚠ ADVERTENCIA

INSTRUCCIONES DE ENCENDIDO:

Siga las instrucciones contenidas en su manual del propietario de la parrilla o en el panel de control de la parrilla.

1. **ABRA LA CUBIERTA DE LA PARRILLA** antes de intentar encender un quemador para que los vapores no se acumulen dentro de su parrilla. Puede ocurrir una explosión si la cubierta de la parrilla está cerrada.
2. Revise que todas las perillas de control del quemador estén en la posición “APAGADO”.
3. **NO se quede parado con su cabeza, cuerpo o brazos sobre la parrilla al encenderla.**

Nota: Observe la flama encendida, debe tener una altura entre 1 y 2 pulgadas cuando el quemador está en posición “ALTO” y ser de color azul o amarillo.

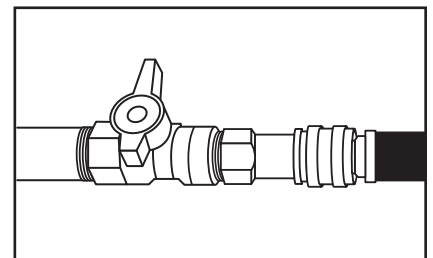


CÓMO APAGAR LA PARRILLA:

1. Cierre el suministro de gas.
2. Gire todas las perillas de control del quemador a la posición “APAGADO”.

⚠ PRECAUCIÓN:

- El suministro de gas natural siempre debe estar en la posición cerrada o “APAGADO” cuando no se esté utilizando la parrilla.
- Refiera al manual de el propietario para las instrucciones de como operar su parrilla.
- Aplique la etiqueta engomada del equipo de conversión en una area cerca de la etiqueta de clasificación para demostrar que la parrilla se ha convertido para el uso con gas natural.



WARRANTY

The Boltz Group warrants to the original purchaser that the Natural Gas Conversion Kit is free from defects due to workmanship or materials for 1 Year when installed by a professional service technician.

The Boltz Group's obligations under this warranty are limited to the following guidelines:

- This warranty does not cover conversion kits that have been altered/modified or damaged due to: normal wear, rust, abuse, improper maintenance and/or improper use.
- This warranty does not cover surface scratches, rust or heat damage to the finish, which is considered normal wear.
- The Boltz Group may elect to repair or replace damaged units covered by the terms of this warranty.
- This warranty extends to the original purchaser only and is not transferable or assignable to subsequent purchasers.

The Boltz Group requires reasonable proof of purchase. Therefore, we strongly recommend that you retain your sales receipt or invoice. To obtain replacement parts for your Natural Gas Conversion Kit under the terms of this warranty, please call Customer Service Department at 855-735-9922 **A receipt will be required.** The Boltz Group **will not be responsible for any conversion kits forwarded to us without prior authorization.**

EXCEPT AS ABOVE STATED, THE BOLTZ GROUP MAKES NO OTHER EXPRESS WARRANTY.

THE IMPLIED WARRANTIES OF MERCHANTABILITY AND FITNESS FOR A PARTICULAR PURPOSE ARE LIMITED IN DURATION TO THOSE LISTED ABOVE FROM THE DATE OF PURCHASE. SOME STATES DO NOT ALLOW LIMITATIONS ON HOW LONG AN IMPLIED WARRANTY LASTS, SO THE ABOVE LIMITATION MAY NOT APPLY TO YOU.

ANY LIABILITY FOR INDIRECT, INCIDENTAL OR CONSEQUENTIAL DAMAGES ARISING FROM THE FAILURE OF THE NATURAL GAS CONVERSION KIT TO COMPLY WITH THIS WARRANTY OR ANY IMPLIED WARRANTY IS EXCLUDED. CUSTOMER ACKNOWLEDGES THAT THE PURCHASE PRICE CHARGED IS BASED UPON THE LIMITATIONS CONTAINED IN THE WARRANTY SET OUT ABOVE. SOME STATES DO NOT ALLOW THE EXCLUSION OR LIMITATION OF INCIDENTAL OR CONSEQUENTIAL DAMAGES, SO THE ABOVE LIMITATION OR EXCLUSION MAY NOT APPLY TO YOU. THIS WARRANTY GIVES YOU SPECIFIC LEGAL RIGHTS, AND YOU MAY ALSO HAVE OTHER RIGHTS WHICH VARY FROM STATE TO STATE.

GARANTÍA

Las autorizaciones de The Boltz Group al comprador original que equipo universal de conversión del gas natural está libre de los defectos debido a la ejecución o a los materiales por 1 año cuando es instalado por un técnico del servicio profesional. Las obligaciones de The Boltz Group con respecto a esta garantía se limitan a lo siguiente:

- Esta garantía no cubre equipos de conversión que hayan sido alteradas/modificado o dañadas debido a: uso normal, herrumbre, maltrato, mantenimiento inadecuado y/o uso inapropiado.
- Esta garantía no cubre rayones superficiales, daño por herrumbre o por calor al acabado, lo cual se considera como uso normal.
- The Boltz Group puede decidir reparar o reemplazar las unidades dañadas cubiertas bajo los términos de esta garantía.
- Esta garantía se otorga al comprador original únicamente y no es transferible o assignable a los compradores posteriores. The Boltz Group exige un comprobante de compra razonable. Por lo tanto, le recomendamos enfáticamente que retenga su recibo o factura de venta. Para obtener partes de repuesto para el equipo de conversión universal del gas natural bajo los términos de esta garantía, sírvase contactar al Departamento de Servicio al Cliente al 855-735-9922. **Se exigirá la presentación de un recibo. The Boltz Group no será responsable de ningún equipo de conversión devuelta a nosotros sin autorización previa.**

EXCEPTO POR LO INDICADO ARRIBA, THE BOLTZ GROUP NO OTORGA NINGUNA OTRA GARANTÍA EXPRESA. LAS GARANTÍAS IMPLÍCITAS DE COMERCIABILIDAD Y ADECUACIÓN CON UN FIN EN PARTICULAR SON DE DURACIÓN LIMITADA DE ACUERDO A LO INDICADO ARRIBA A PARTIR DE LA FECHA DE COMPRA. ALGUNOS ESTADOS NO PERMITEN LIMITACIONES DE DURACIÓN DE UNA GARANTÍA IMPLÍCITA; POR LO TANTO, LA LIMITACIÓN ANTERIOR PODRÍA NO SER APLICABLE EN SU CASO.

SE EXCLUYE CUALQUIER RESPONSABILIDAD POR DAÑOS INDIRECTOS, INCIDENTALES O CONSIGUIENTES DERIVADOS DE LA FALTA DE CUMPLIMIENTO DE ESTA GARANTÍA O DE CUALQUIER GARANTÍA IMPLÍCITA DE THE BOLTZ GROUP EQUIPO DE CONVERSIÓN UNIVERSAL DEL GAS NATURAL. EL CLIENTE RECONOCE QUE EL PRECIO DE COMPRA COBRADO SE BASA EN LAS LIMITACIONES CONTENIDAS EN LA GARANTÍA ANTERIOR. ALGUNOS ESTADOS NO PERMITEN LA EXCLUSIÓN O LIMITACIÓN DE LOS DAÑOS INCIDENTALES O CONSIGUIENTES; POR LO TANTO, LA LIMITACIÓN O EXCLUSIÓN ANTERIOR PODRÍA NO SER APLICABLE EN SU CASO. ESTA GARANTÍA LE OTORGA DERECHOS LEGALES ESPECÍFICOS Y USTED PUEDE TENER ADEMÁS OTROS DERECHOS QUE VARÍAN DE UN ESTADO A OTRO.