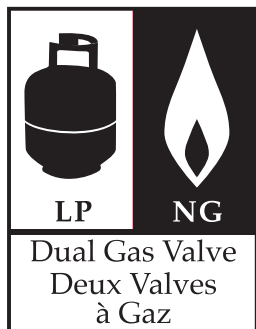
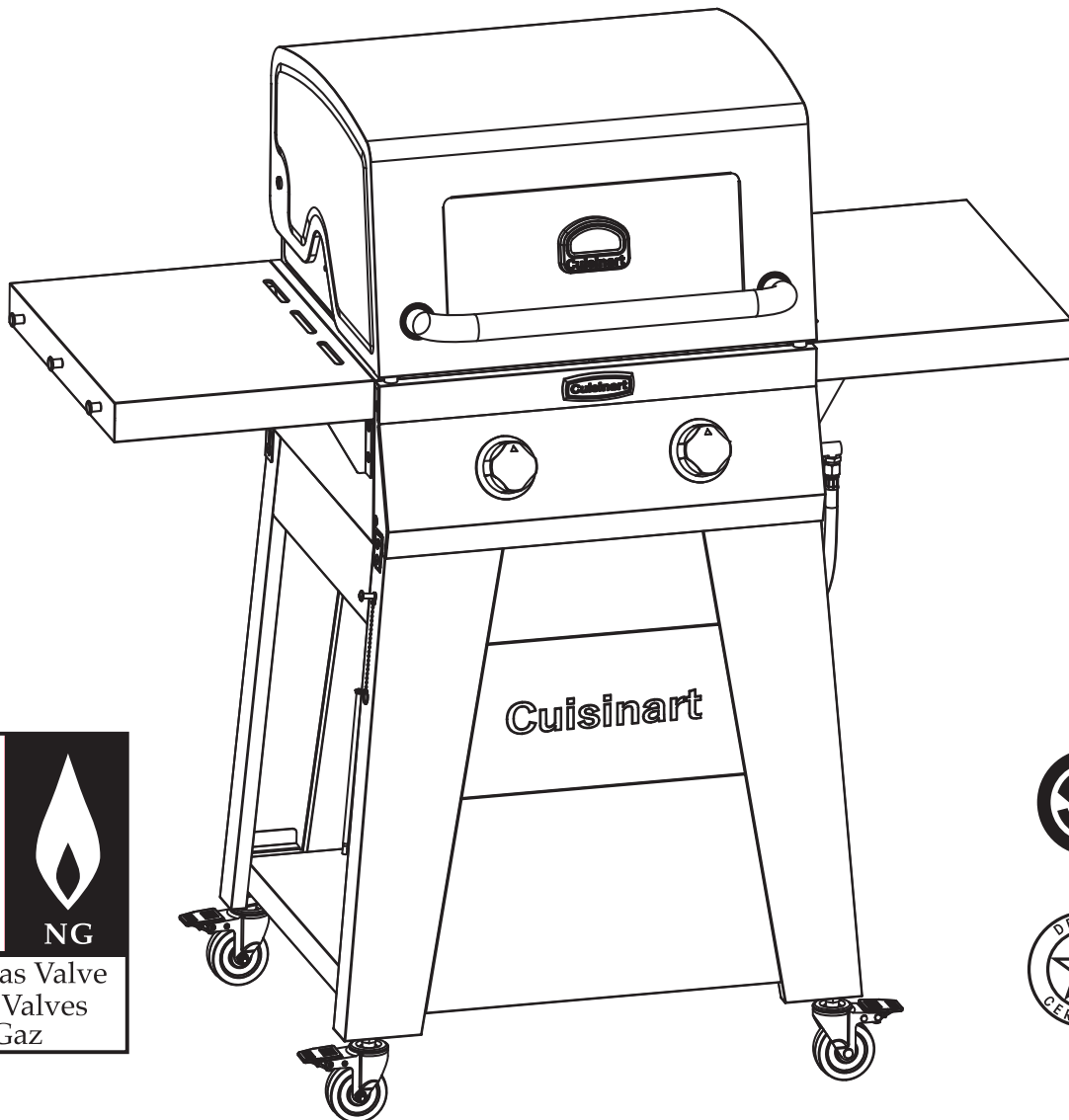


Cuisinart®

Deluxe Two Burner Gas Grill

ASSEMBLY INSTRUCTIONS

Model GAS0256AF



ASSEMBLY INSTRUCTIONS:

⚠ READ ALL SAFETY WARNINGS & ASSEMBLY INSTRUCTIONS CAREFULLY BEFORE ASSEMBLING OR OPERATING YOUR GRILL.

WE RECOMMEND TWO PEOPLE WORK TOGETHER WHEN ASSEMBLING THIS UNIT.

The following tools are required to assemble this Cuisinart 2 Burner Gas Grill:

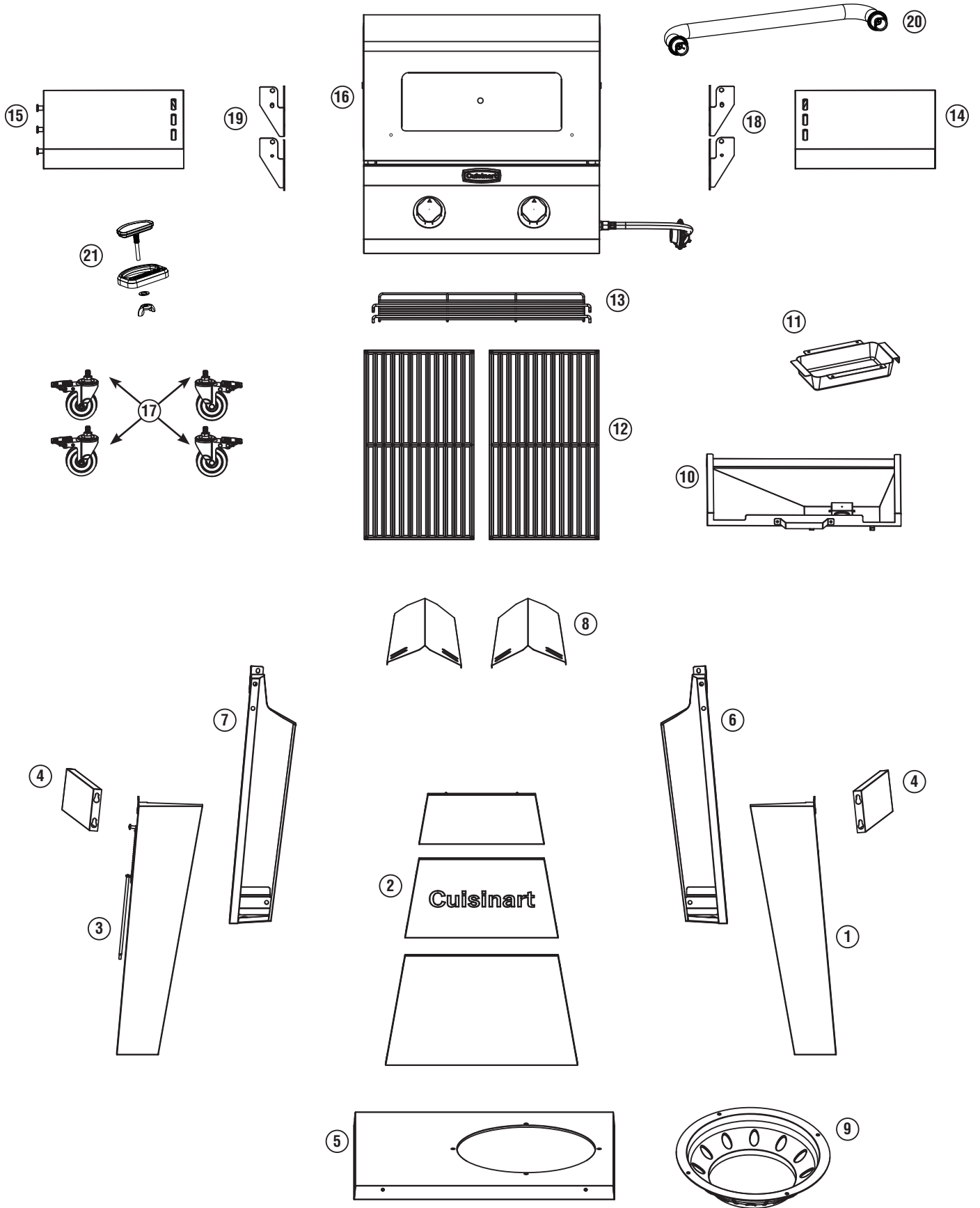
- **Phillips Screwdriver**

PARTS LIST:

①	1	Right Front Leg	⑪	1	Grease Cup
②	1	Front Panel (3 parts)	⑫	2	Cooking Grates
③	1	Left Front Leg	⑬	1	Warming Rack
④	2	Side Panels	⑭	1	Right Side Table
⑤	1	Cart Base	⑮	1	Left Side Table
⑥	1	Right Rear Leg	⑯	1	Grill Body
⑦	1	Left Rear Leg	⑰	4	Casters
⑧	2	Heat Tents	⑱	2	Right Side Table Brackets
⑨	1	Tank Holder	⑲	2	Left Side Table Brackets
⑩	1	Grease Tray	⑳	1	Hood Handle
			㉑	1	Temperature Gauge

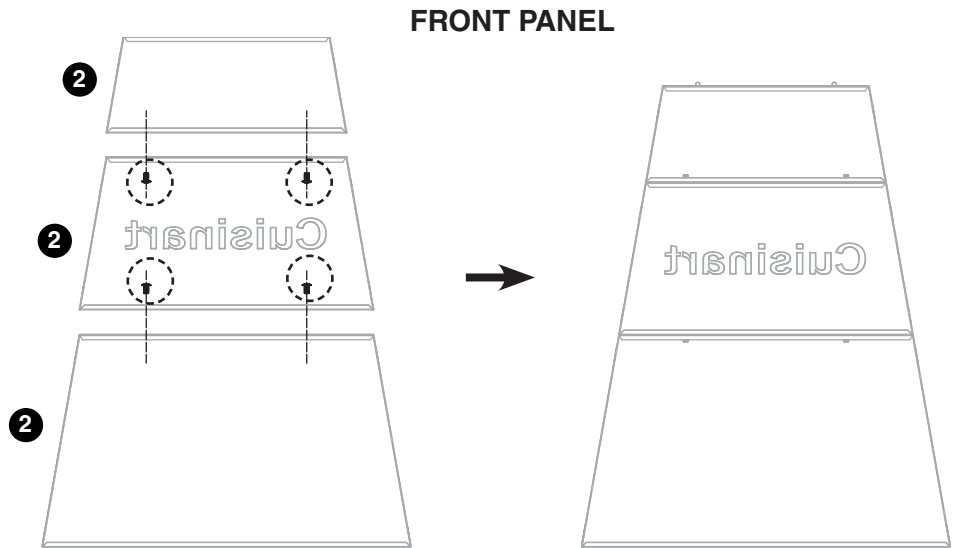
Note: Most hardware is pre-attached to the grill. You may need to loosen some screws partially while others may need to be removed in order to assemble parts. The screws that you remove will be re-used so don't misplace this hardware.

Extra screws are included in a small bag with the owners manual.



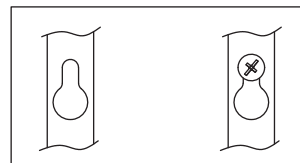
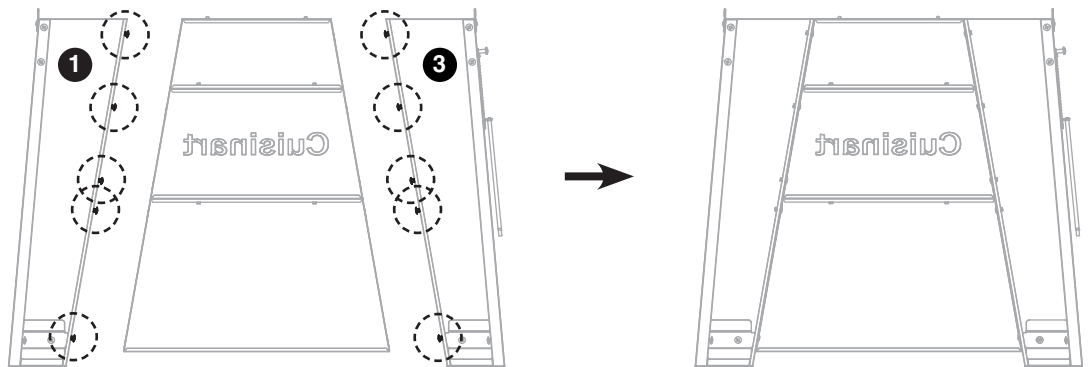
Step 1

- Remove 4 screws
- Attach **FRONT PANEL 2** parts
- Install 4 screws



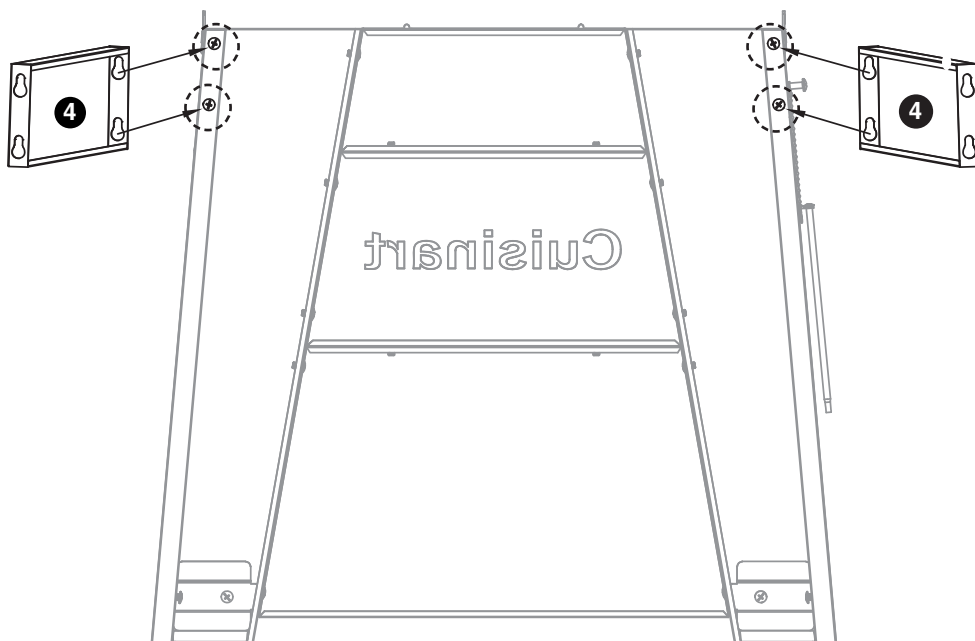
Step 2

- Loosen 10 screws
- Attach **FRONT LEGS 1** and **3**
- Tighten 10 screws on **FRONT LEGS 1** and **3**



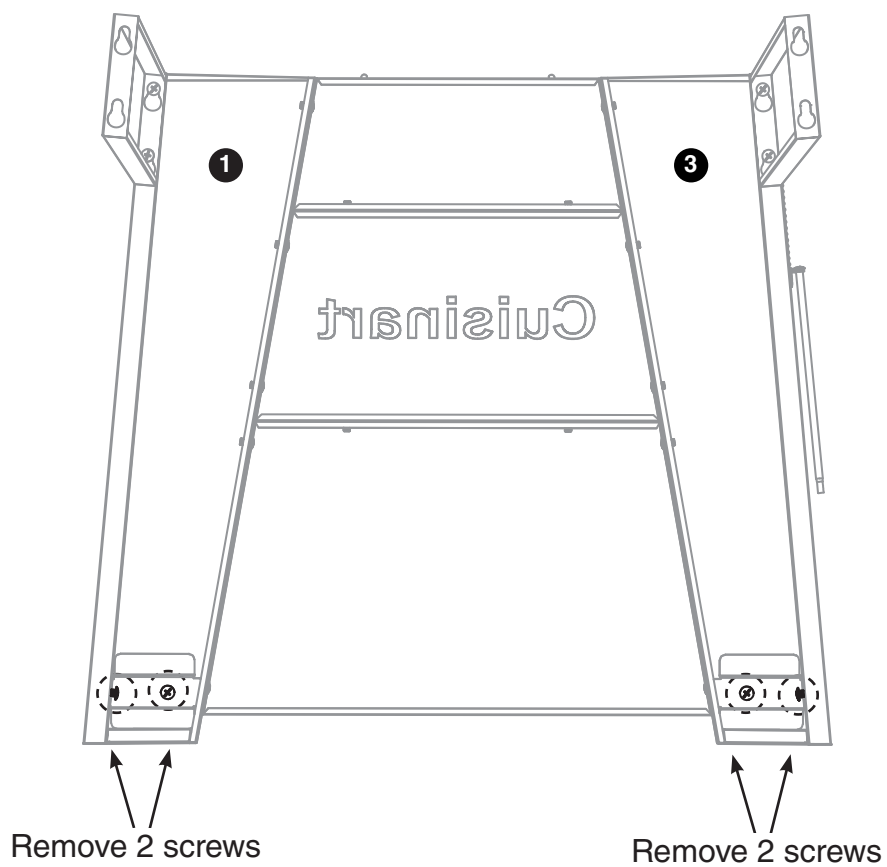
NOTE: Before tightening keyhole screws, make sure panels are aligned.

Step 3



- Loosen 4 screws
- Attach **SIDE PANELS 4**
- Tighten 4 screws on **SIDE PANELS 4**

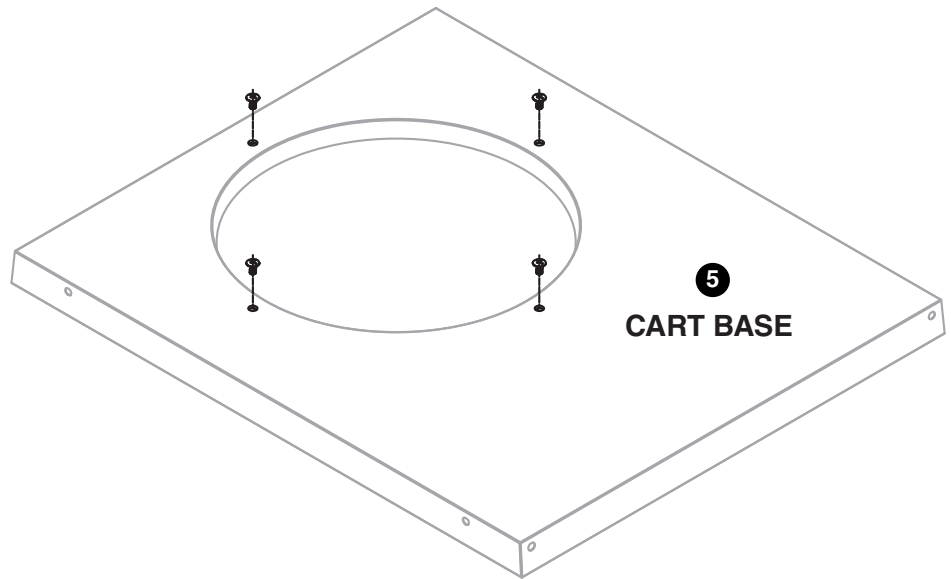
Step 4



- Remove 4 screws from **FRONT LEGS 1** and **3**

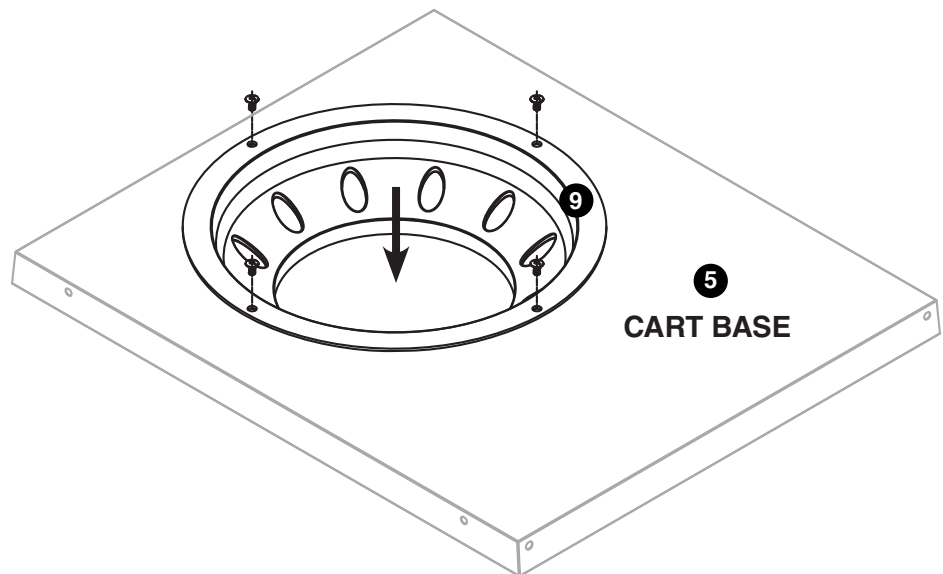
Step 5

- Remove 4 screws from **CART BASE 5**

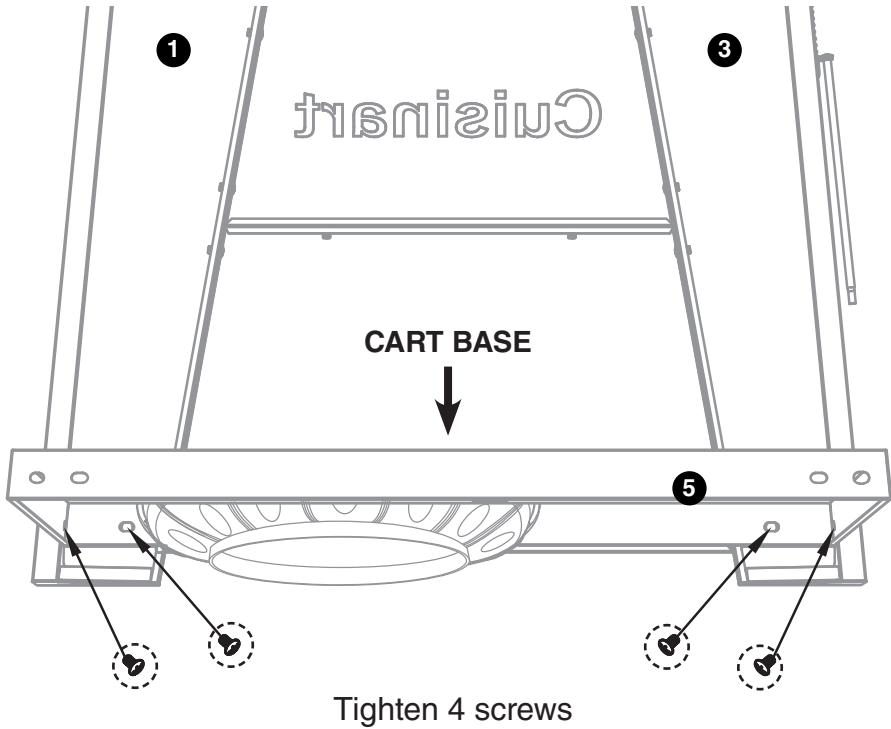


Step 6

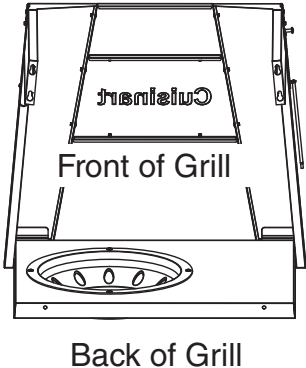
- Attach **TANK HOLDER 9** to **CART BASE 5** with 4 screws (Removed from Step 5)



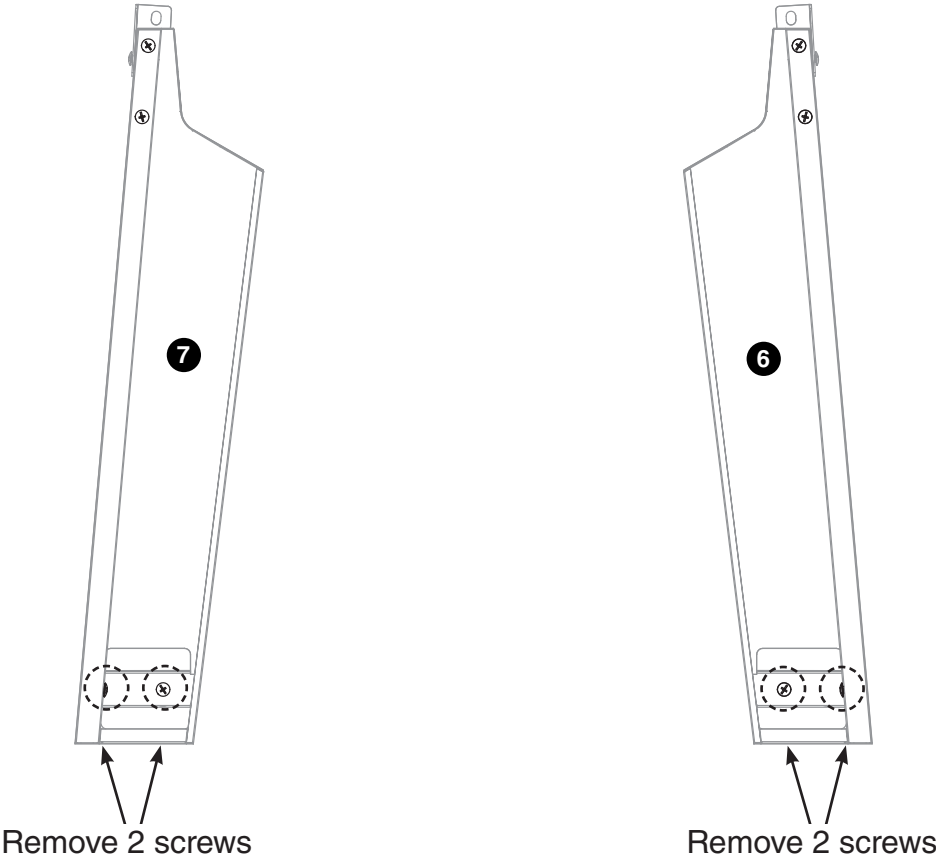
Step 7



- Attach **CART BASE 5** to **FRONT LEGS 1** and **3**
- Tighten 4 screws on **CART BASE 5** (Removed from Step 4)



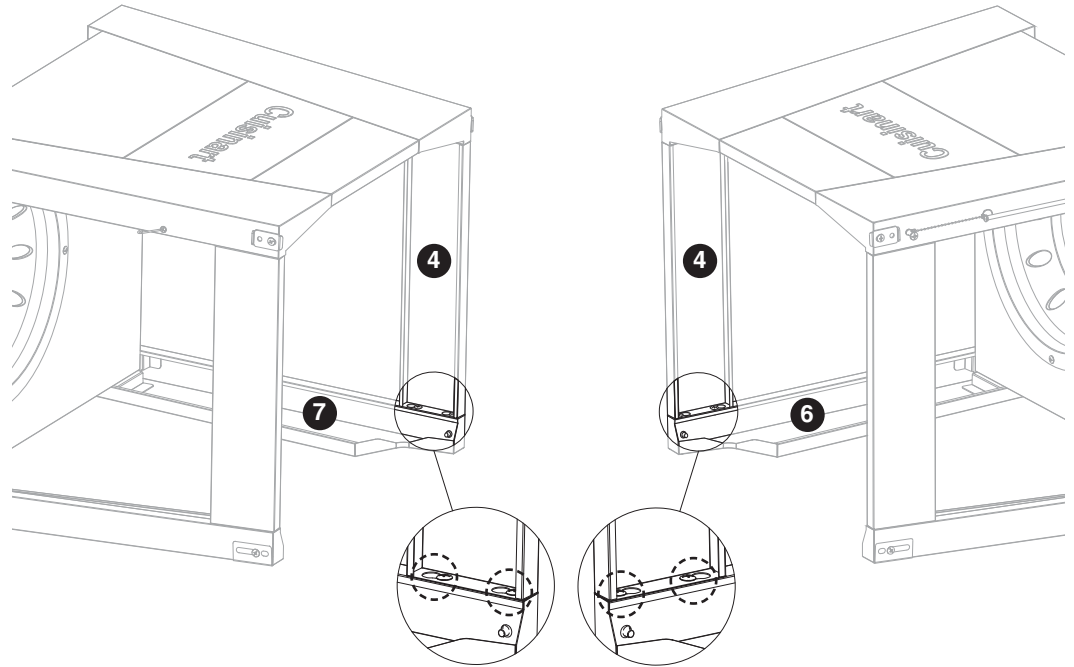
Step 8



- Remove 4 screws from **REAR LEGS 6** and **7**

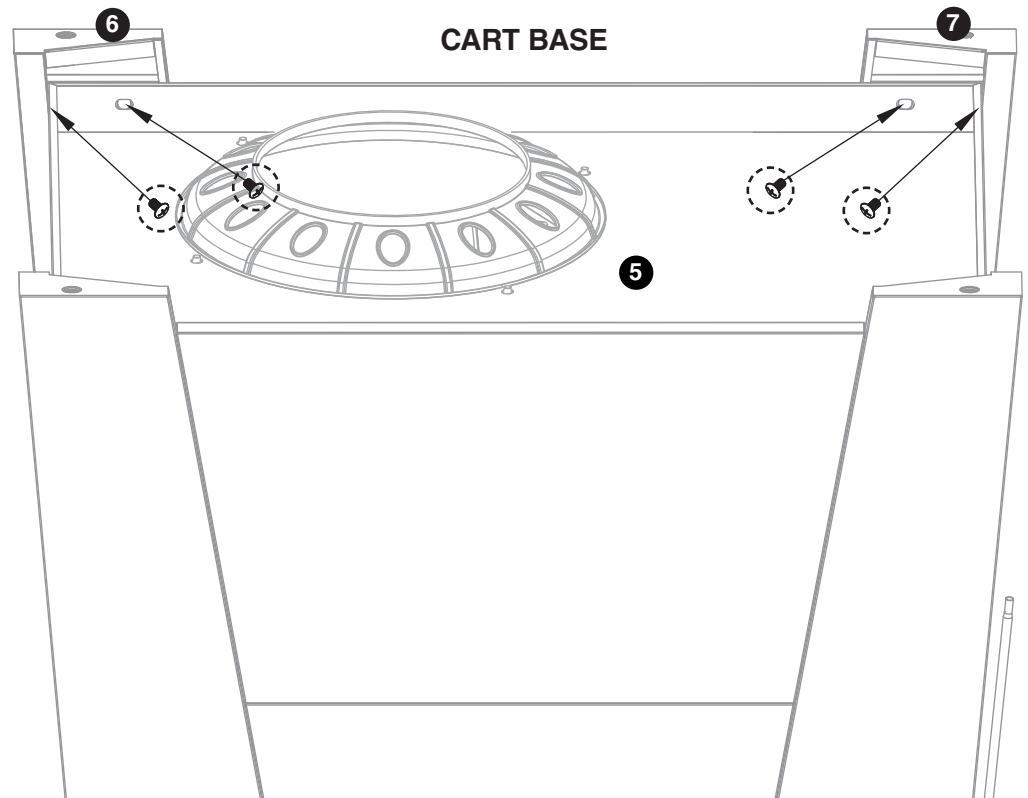
Step 9

- Loosen 4 screws
- Attach **SIDE PANELS 4** to **REAR LEGS 6** and **7**
- Tighten 4 screws on **SIDE PANELS 4**

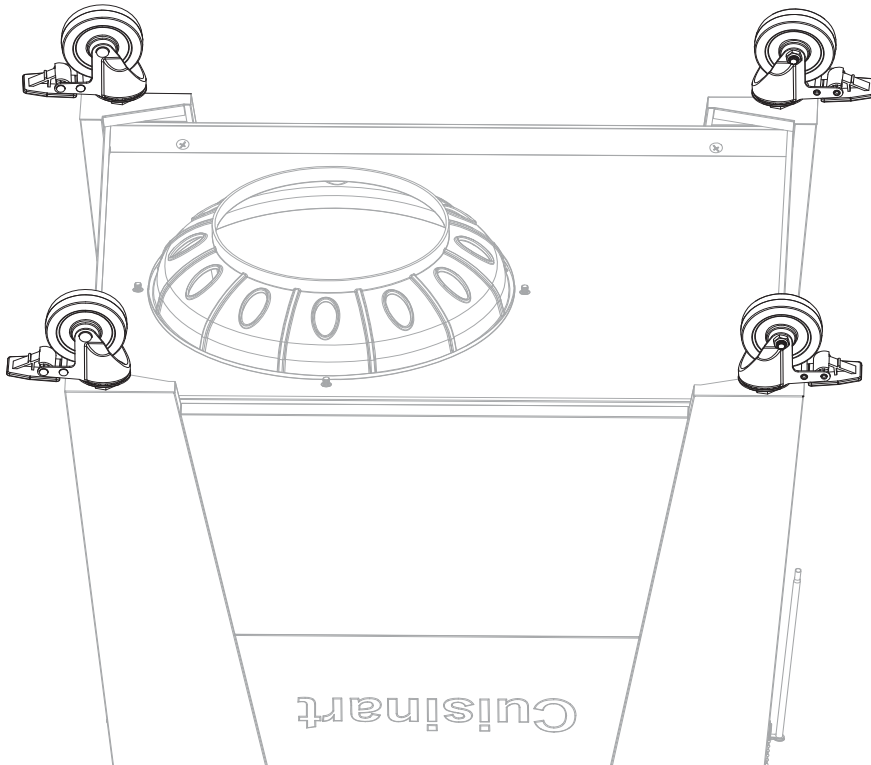


Step 10

- Attach **CART BASE 5** to **REAR LEGS 6** and **7**
- Tighten 4 screws (Removed from Step 8)



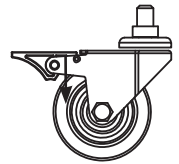
Step 11



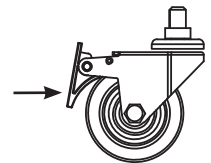
- Lock **CASTERS 17**
- Attach **CASTERS 17** to legs

CASTERS 17

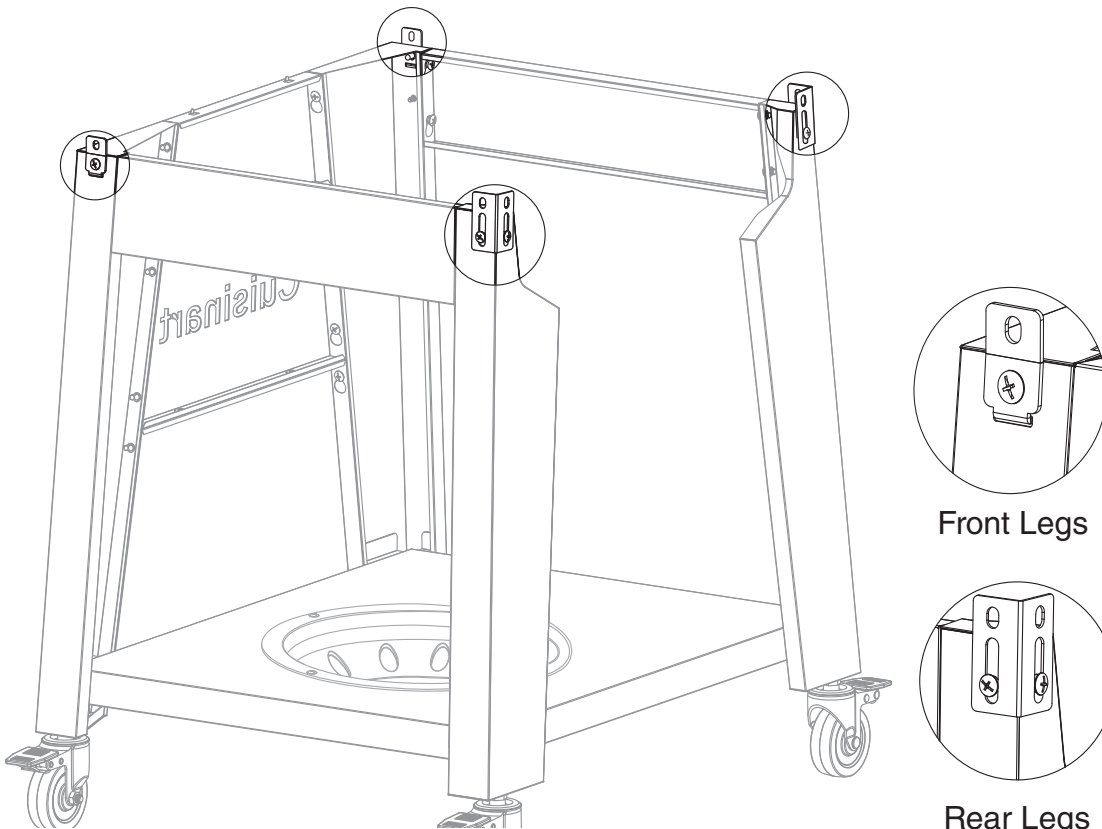
unlocked



locked



Step 12



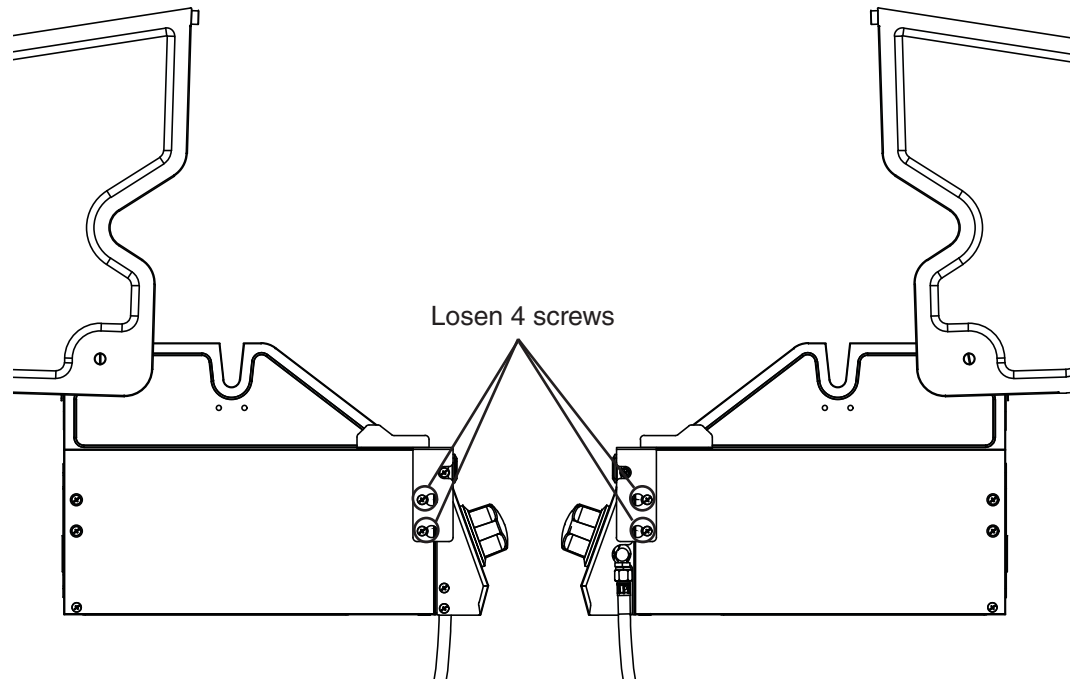
- Loosen 6 screws on all 4 legs
- Rotate **FRONT CART BRACKETS** upwards and tighten screws
- Slide **REAR CART BRACKETS** upwards and tighten screws

Front Legs

Rear Legs

Step 13

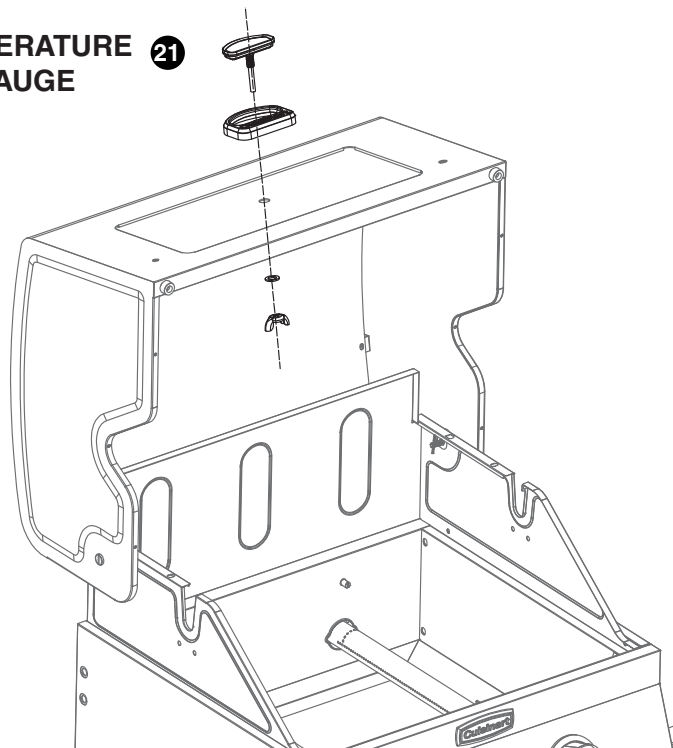
- Losen four screws and remove metal plates.



Step 14

- Attach **TEMPERATURE GAUGE 21** using washer and wingnut.

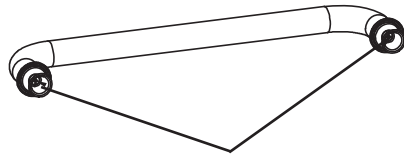
TEMPERATURE GAUGE 21



Step 15

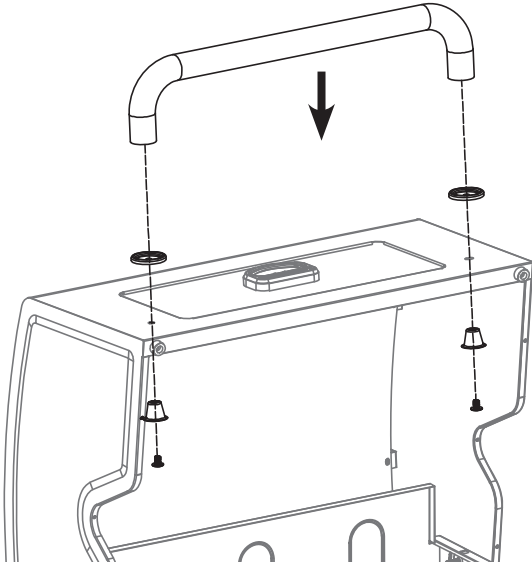
HANDLE

20



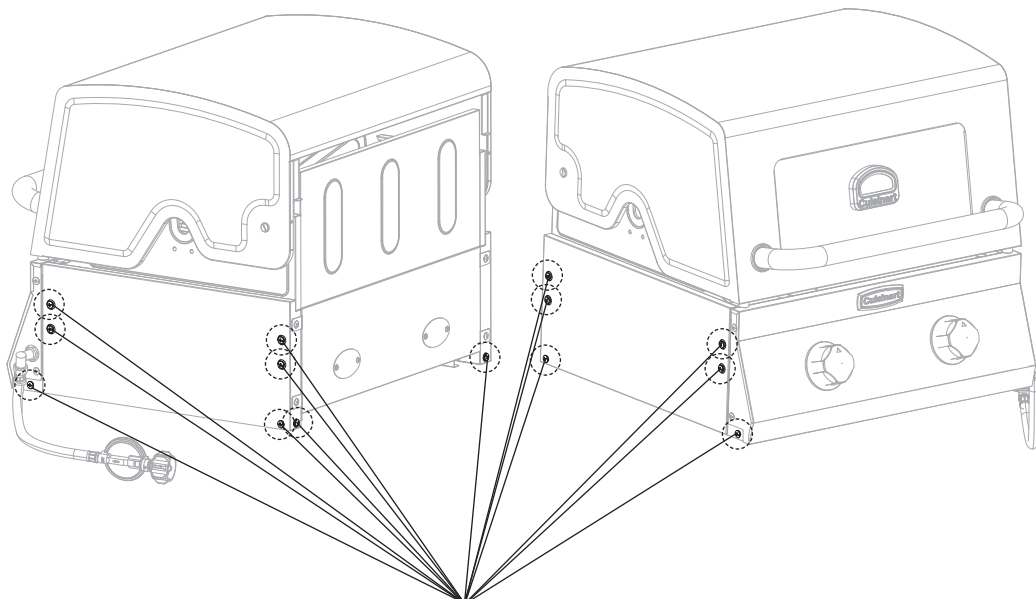
Remove 2 screws

- Remove two screws from HOOD HANDLE 20. Attach HOOD HANDLE 20 using two screws.



Step 16

- Remove 14 screws

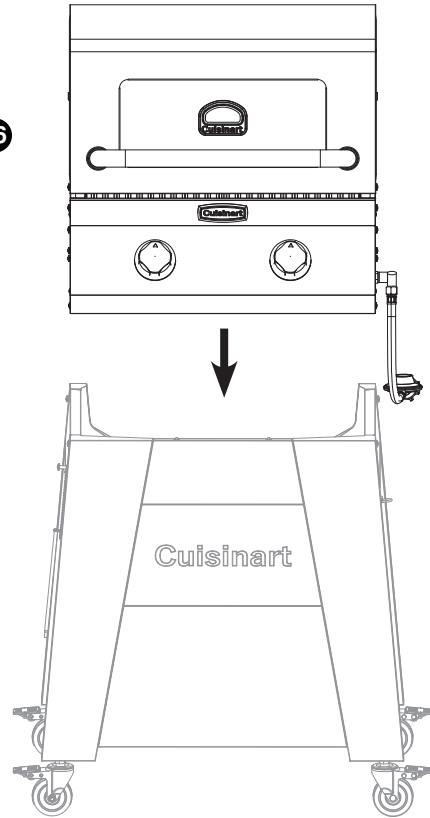


Remove 14 screws

Step 17

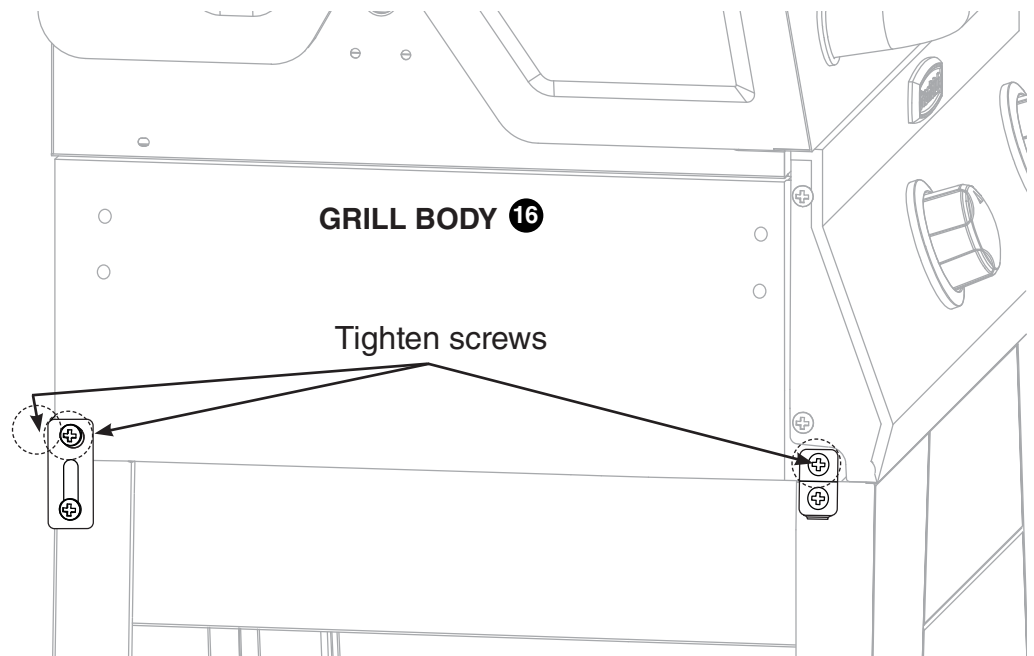
- Set **GRILL BODY 16** on cart (Use two people)

GRILL BODY 16



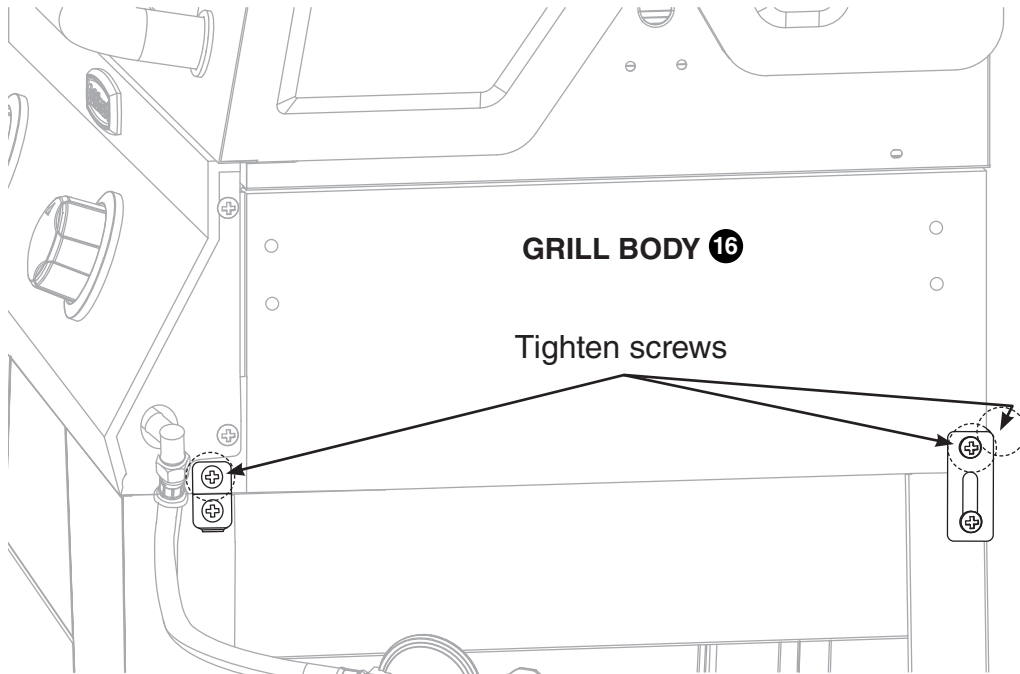
Step 18

- Tighten 3 screws (Removed in Step 16)



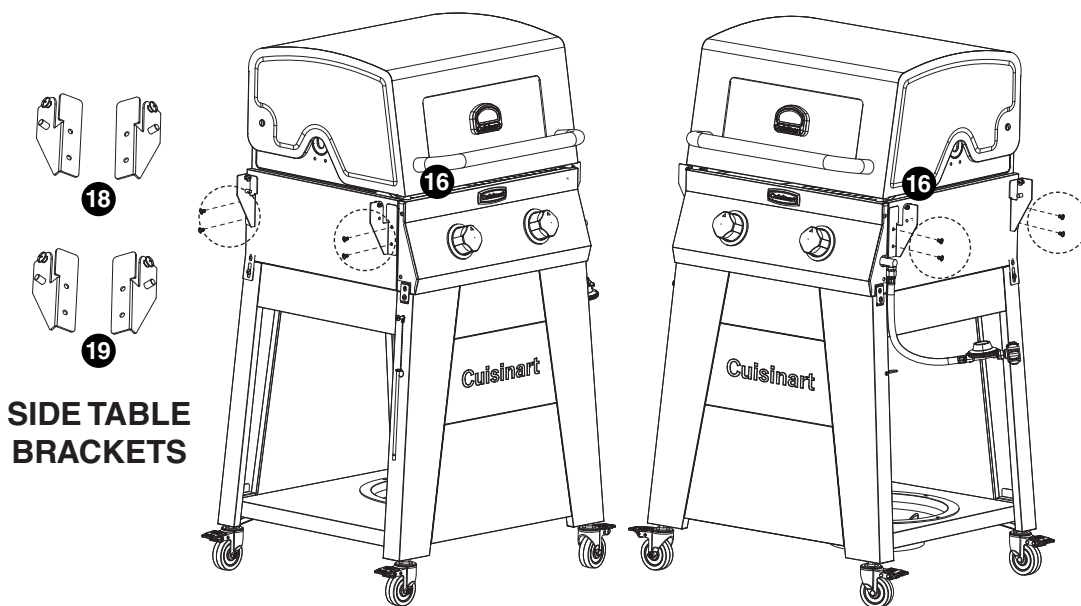
Step 19

- Tighten 3 screws (Removed in Step 16)



Step 20

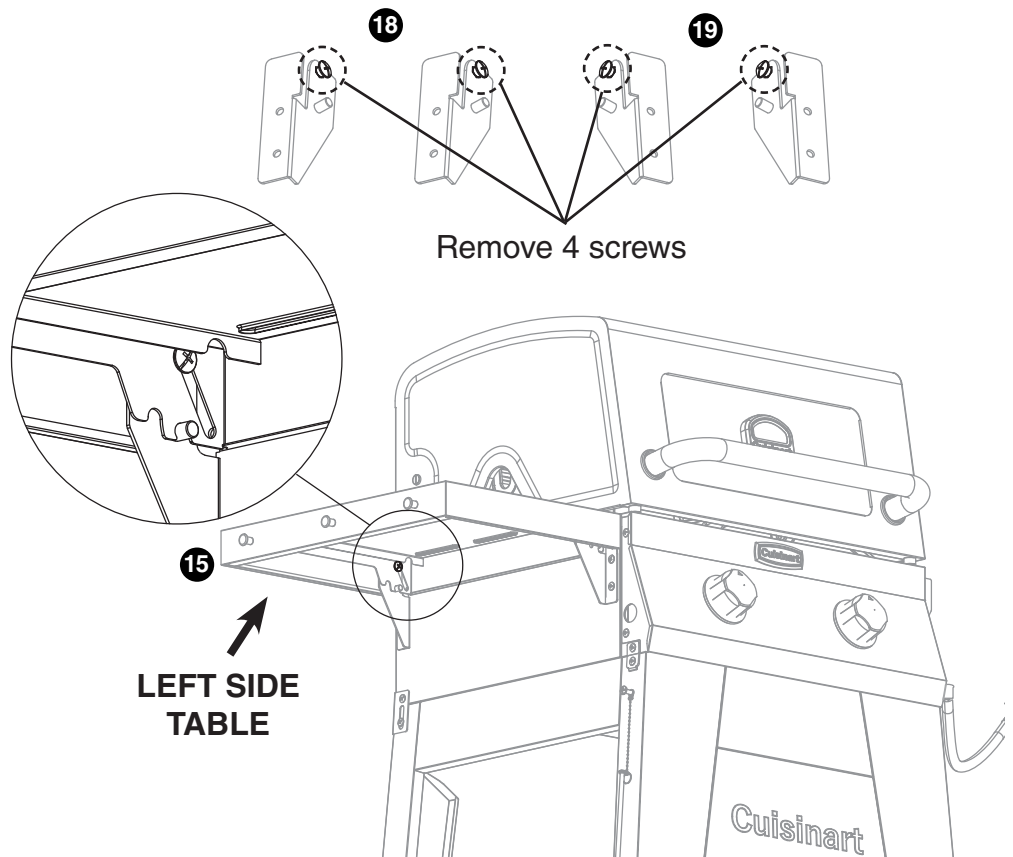
- Attach **RIGHT SIDE TABLE BRACKETS 18** and **LEFT SIDE TABLE BRACKETS 19** to **GRILL BODY 16**
- Tighten 8 screws (Removed in Step 16)



SIDE TABLE BRACKETS

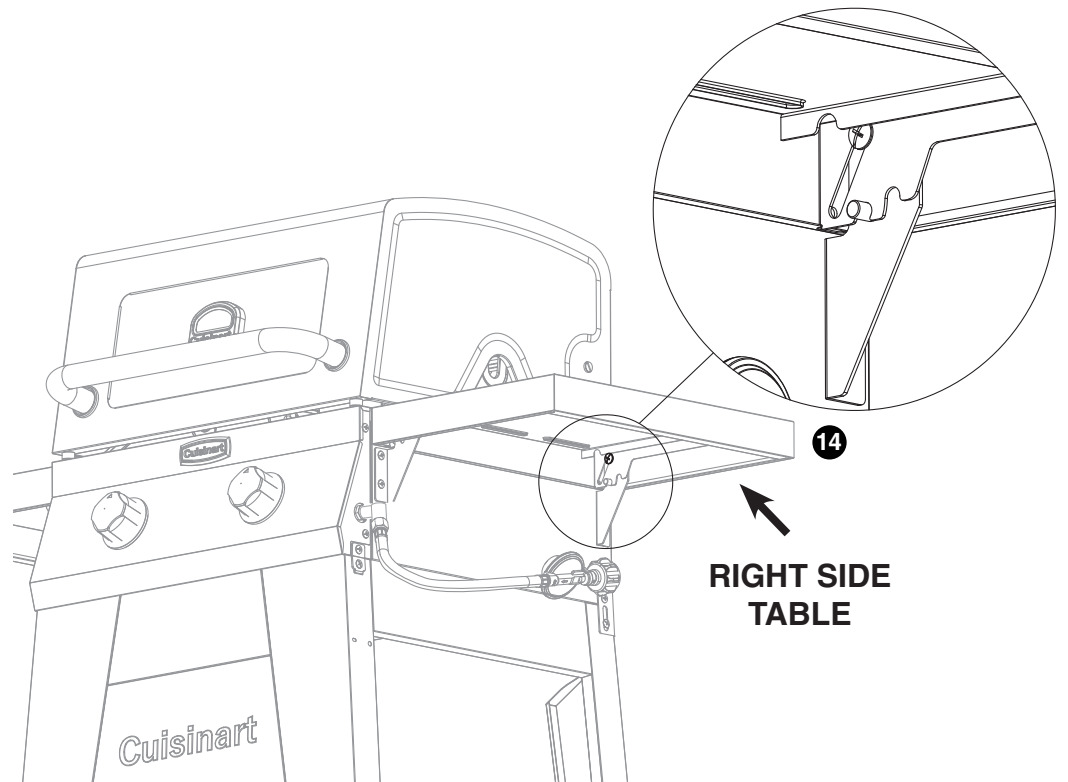
Step 21

- Remove 4 screws from **SIDE TABLE BRACKETS 18** and **19**
- Attach **LEFT SIDE TABLE 15** on post and replace screws through slotted hole

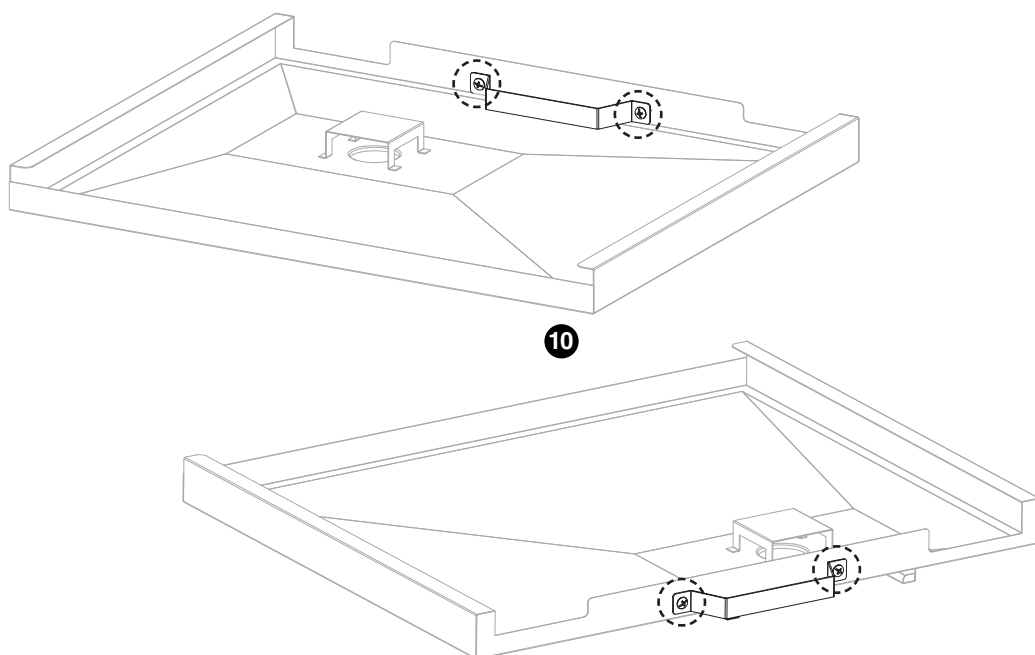


Step 22

- Attach **RIGHT SIDE TABLE 14** on post and replace screws through slotted hole

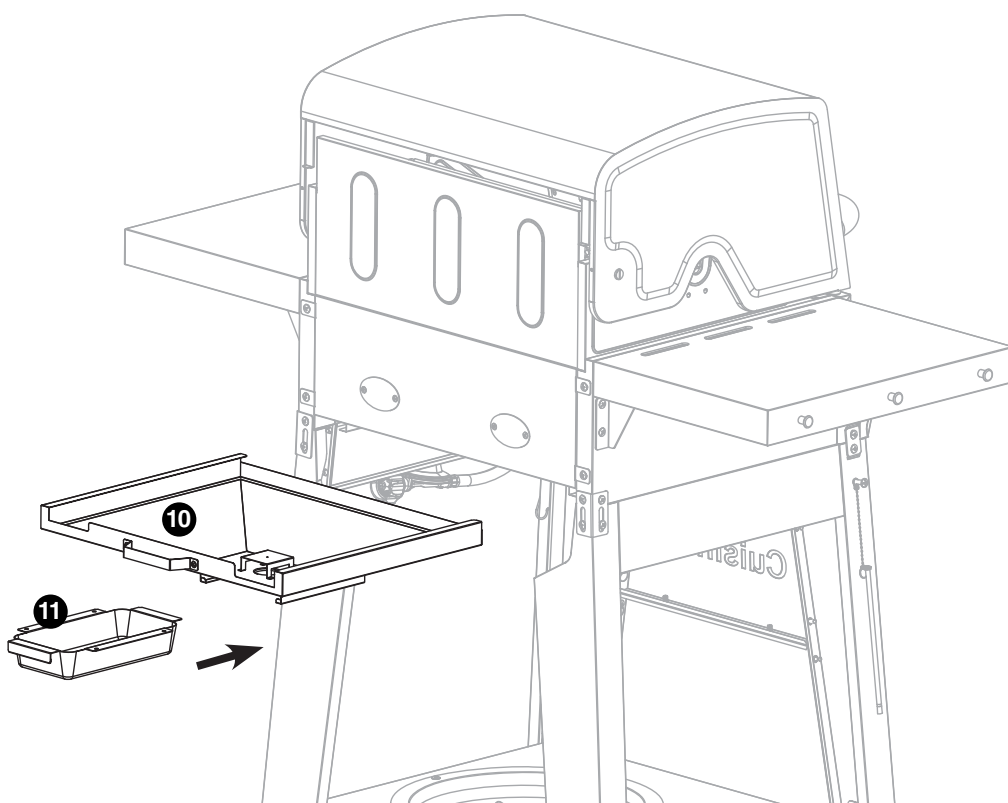


Step 23



- Remove 2 screws on **GREASE TRAY 10**
- Move handle to outside attach with 2 screws

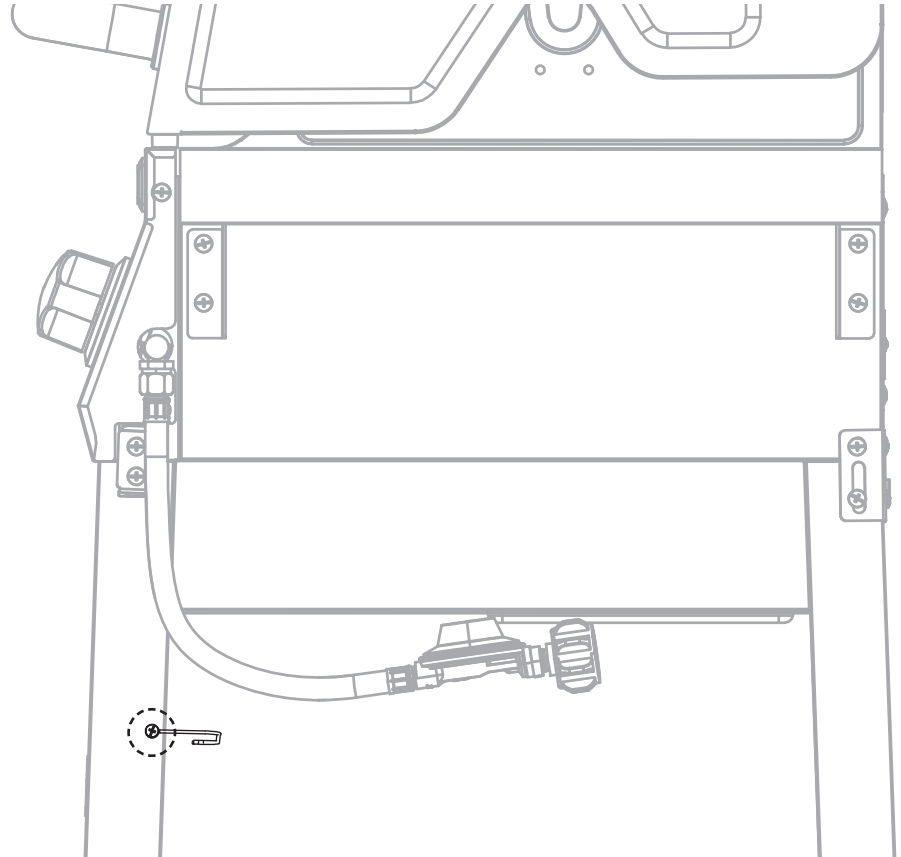
Step 24



- Insert **GREASE TRAY 10** and **GREASE CUP 11**

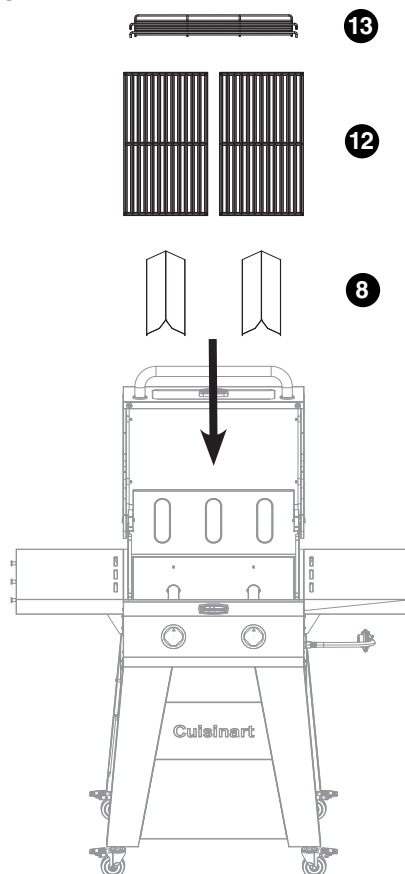
Step 25

- Loosen screw on **HOSE HOOK** and rotate horizontal
- Place hose into **HOSE HOOK**
- Tighten screw



Step 26

- Install **HEAT TENTS** **8**, **COOKING GRATES** **12** and **WARMING RACK** **13**



Model GAS0256AF Assembled

