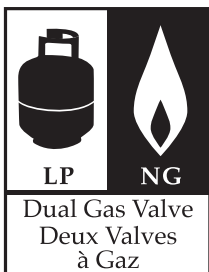
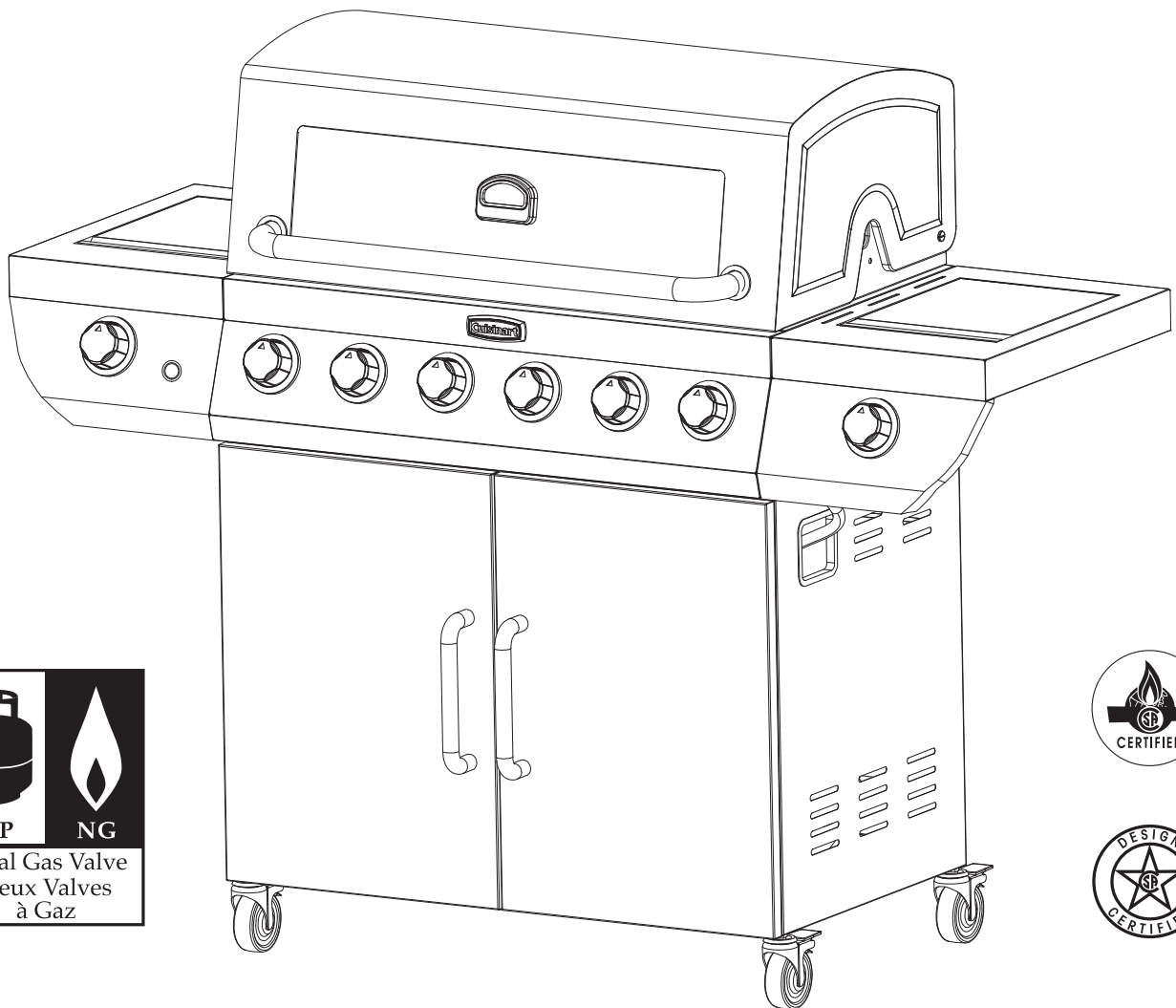


Cuisinart®

Stainless 6 Burner Gas Grill

ASSEMBLY INSTRUCTIONS

Model GAS0656AF



ASSEMBLY INSTRUCTIONS:

⚠ READ ALL SAFETY WARNINGS & ASSEMBLY INSTRUCTIONS CAREFULLY BEFORE ASSEMBLING OR OPERATING YOUR GRILL.

WE RECOMMEND TWO PEOPLE WORK TOGETHER WHEN ASSEMBLING THIS UNIT.

The following tools are required to assemble this Cuisinart 6 Burner Gas Grill:

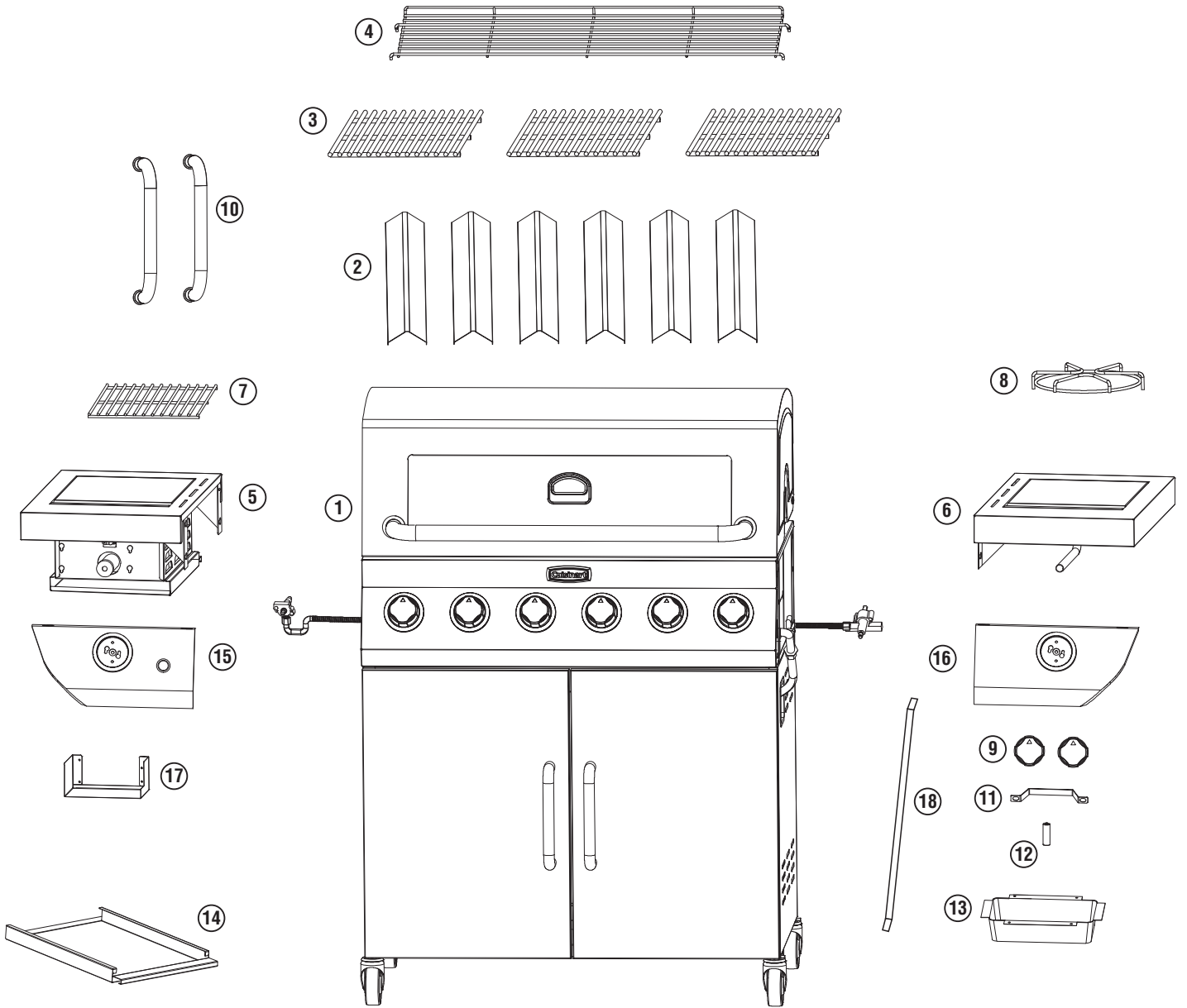
- **Phillips Screwdriver**
- **Pliers or Wrench**

PARTS LIST:

①	1	Grill Body	⑩	2	Door Handles
②	6	Heat Tents	⑪	1	Grease Tray Handle
③	3	Cooking Grates	⑫	1	AA Battery
④	1	Warming Rack	⑬	1	Grease Cup
⑤	1	Left Side Table	⑭	1	Sear Burner Grease Tray
⑥	1	Right Side Table	⑮	1	Left Side Control Panel
⑦	1	Sear Burner Grate	⑯	1	Right Side Control Panel
⑧	1	Side Burner Grate	⑰	1	Sear Burner Wind Guard
⑨	2	Knobs	⑱	1	Tank Block Bar

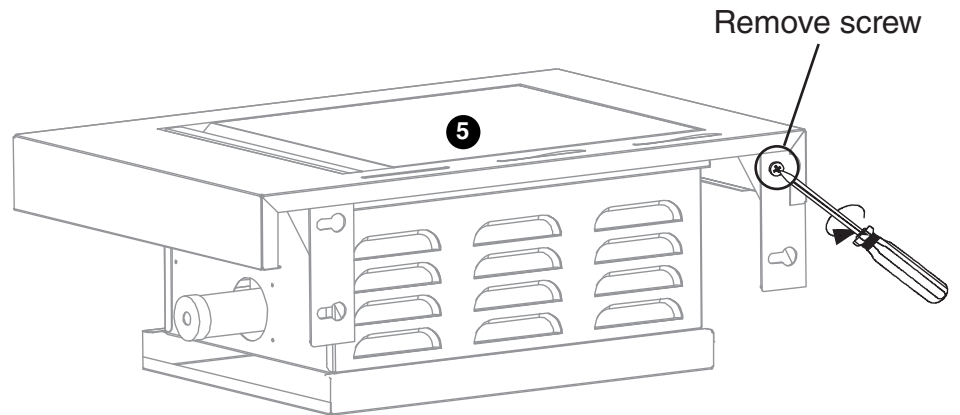
Note: Most hardware is pre-attached to the grill. You may need to loosen some screws partially while others may need to be removed in order to assemble parts. The screws that you remove will be re-used so don't misplace this hardware.

Extra screws are included in a small bag with the owners manual.



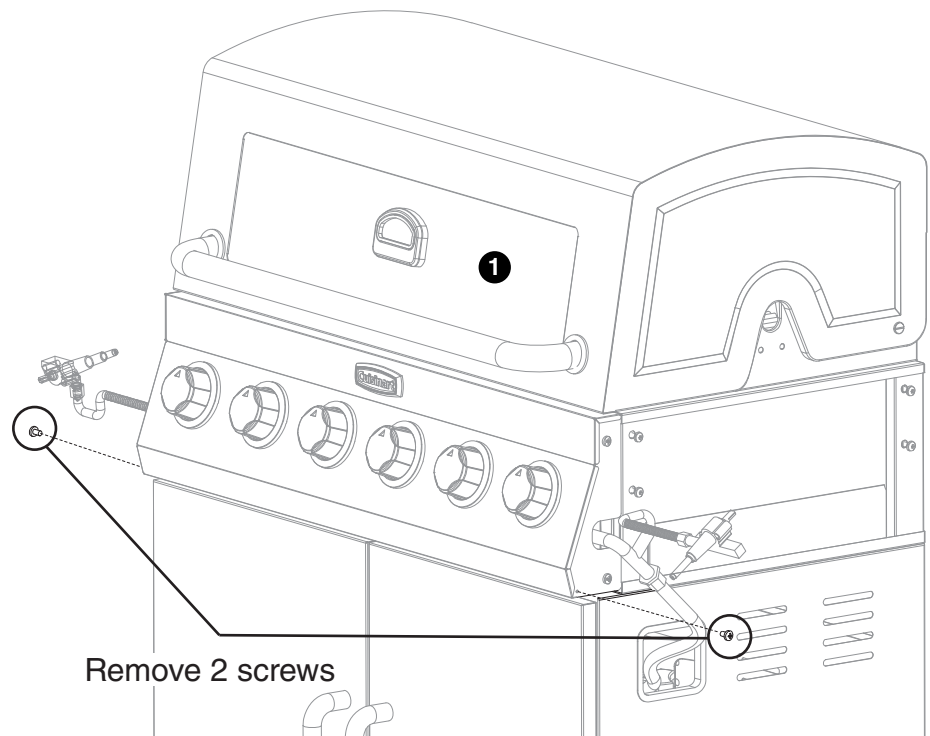
Step 1

- Remove screw from **LEFT SIDE TABLE 5**

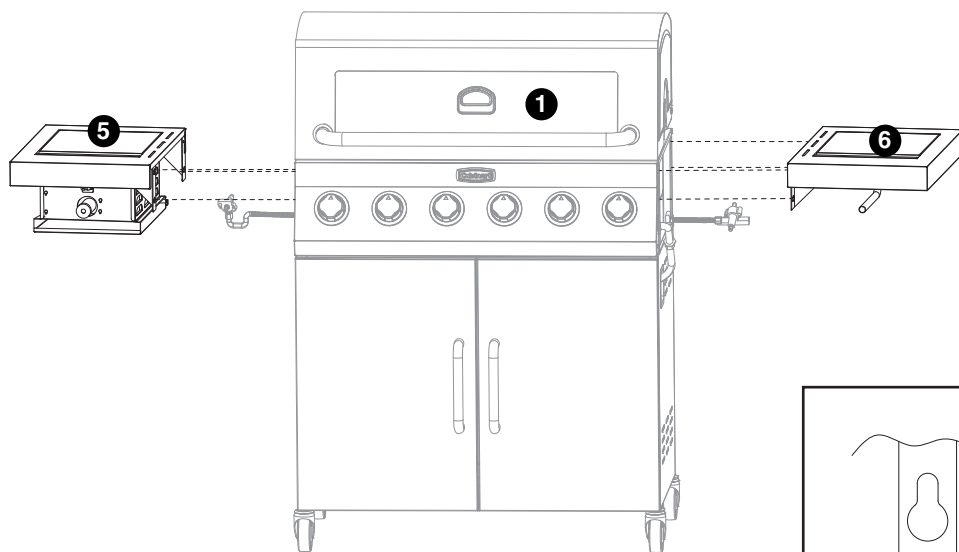


Step 2

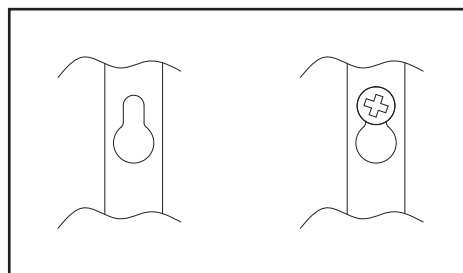
- Remove 2 screws from **GRILL BODY 1**



Step 3

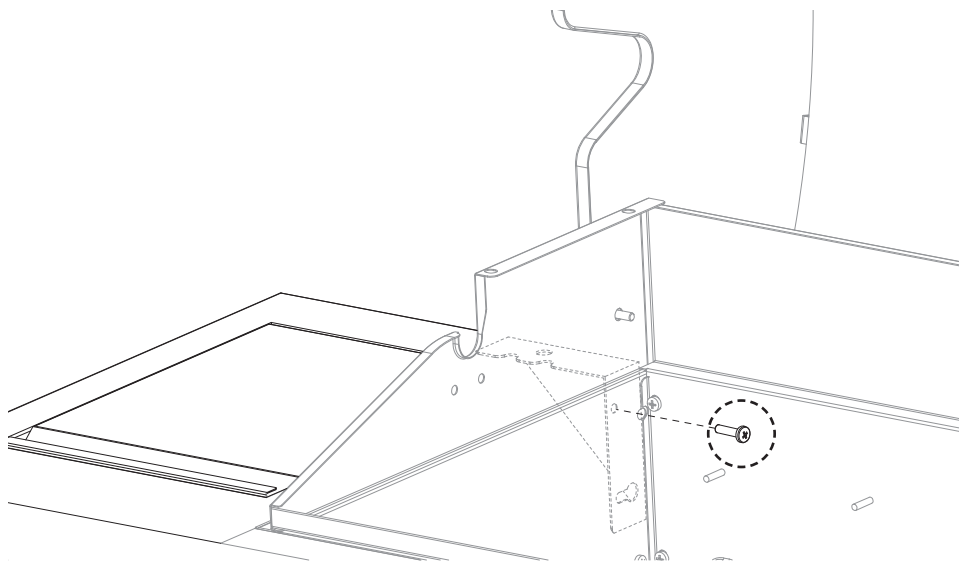


- Attach **LEFT SIDE TABLE 5** and **RIGHT SIDE TABLE 6** using keyholes



NOTE: Before tightening keyhole screws, make sure panels are aligned.

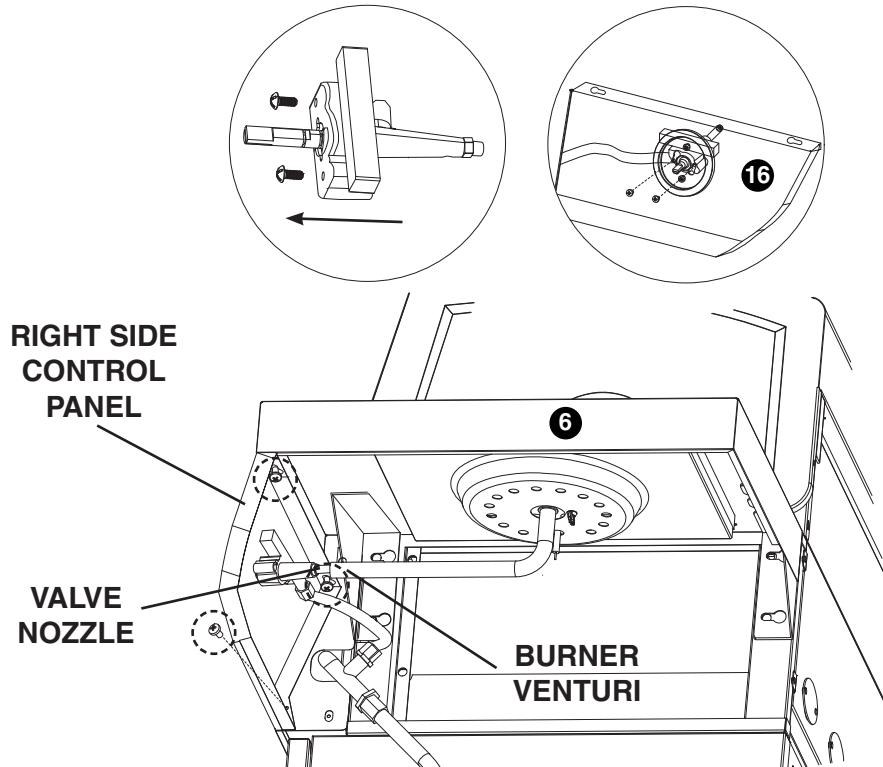
Step 4



- Install screw through firebox (Removed in Step 1)

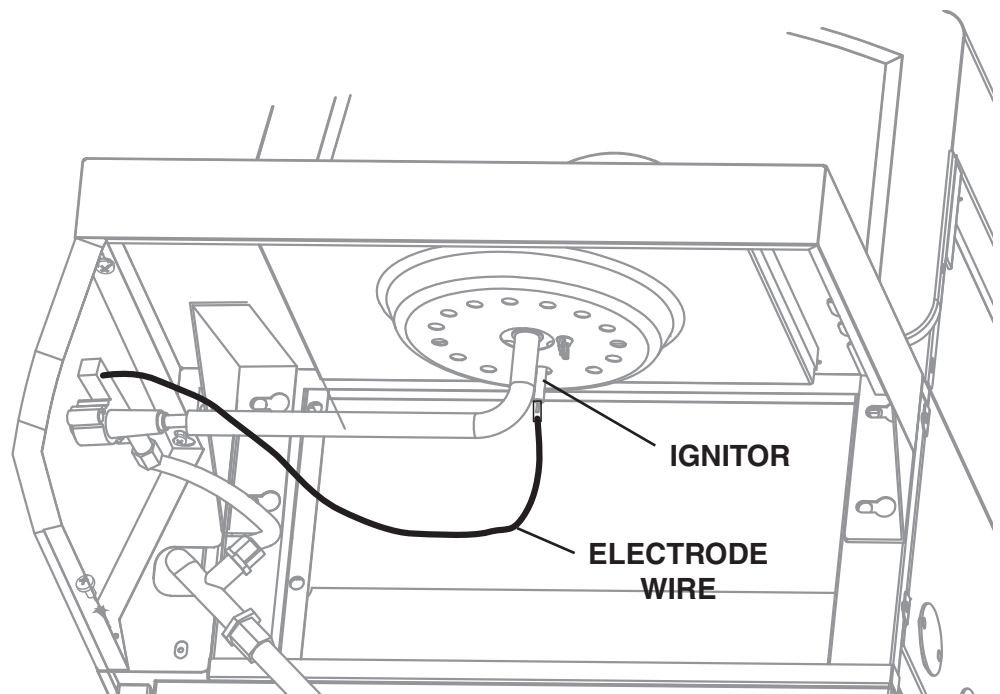
Step 5

- Remove 2 screws from **SIDE BURNER VALVE**
- Insert **SIDE BURNER VALVE** through holes in **RIGHT SIDE CONTROL PANEL 16**
- Tighten 2 screws on **RIGHT SIDE CONTROL PANEL 16**
- Attach **RIGHT SIDE CONTROL PANEL 16** to **RIGHT SIDE TABLE 6** using keyholes and screw (Removed in Step 2) make sure **BURNER VENTURI** fits over **VALVE NOZZLE**



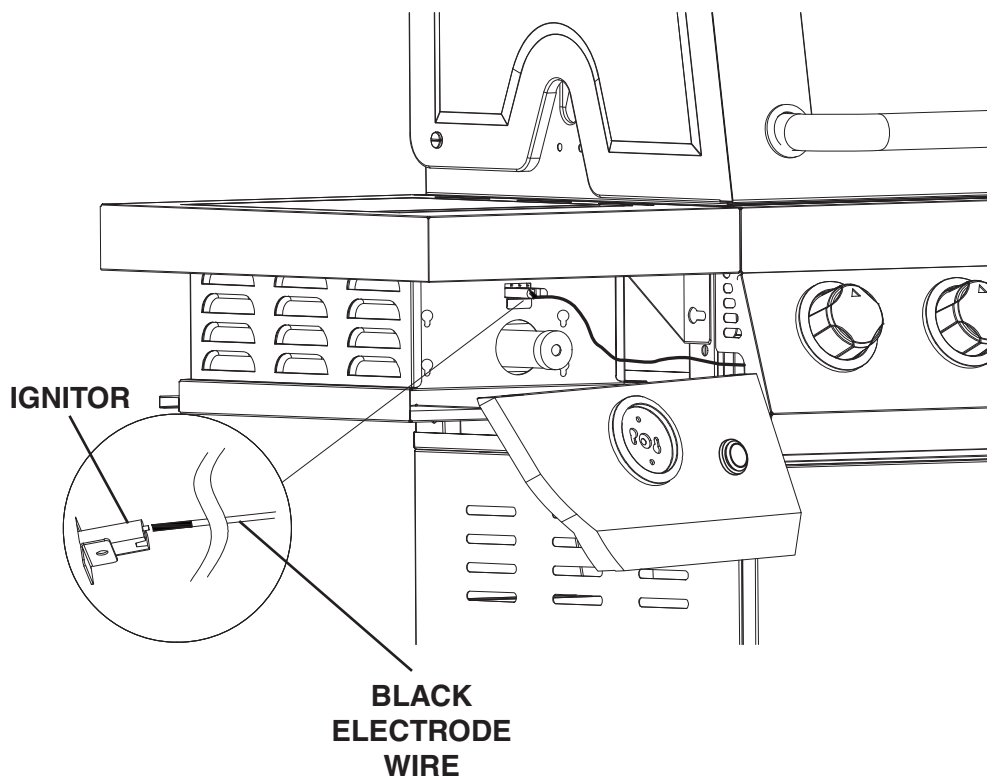
Step 6

- Attach **ELECTRODE WIRE** to **IGNITOR**



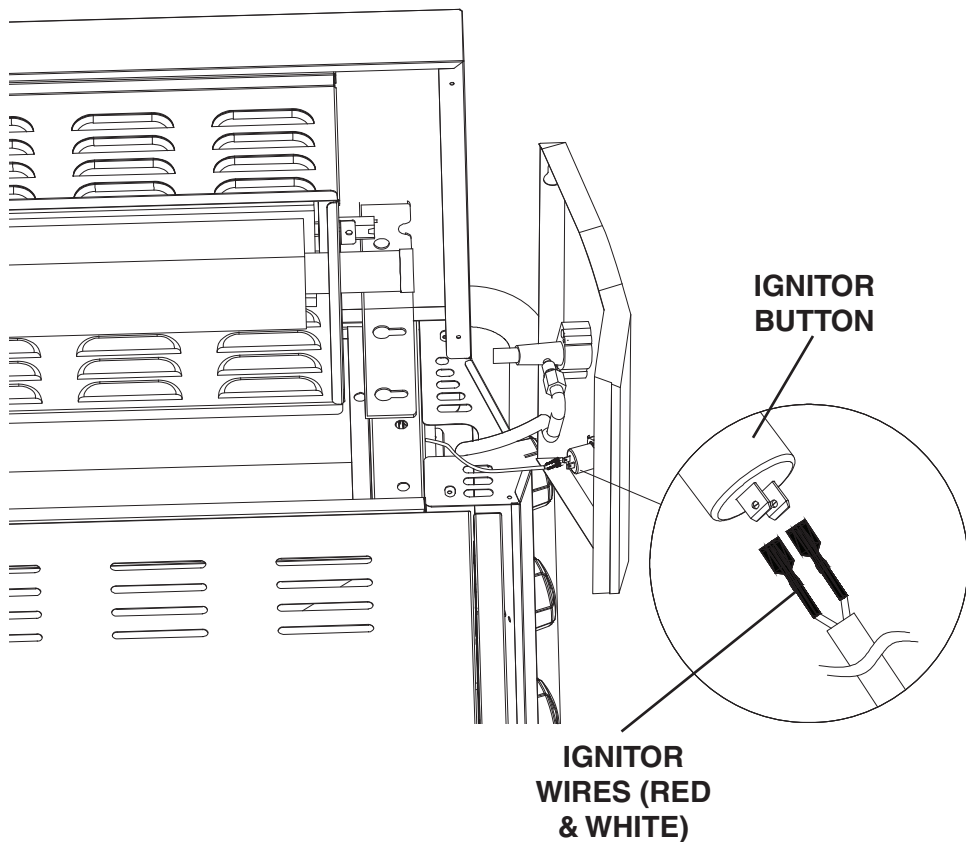
Step 7a

- Attach **BLACK ELECTRODE WIRE** to **IGNITOR**



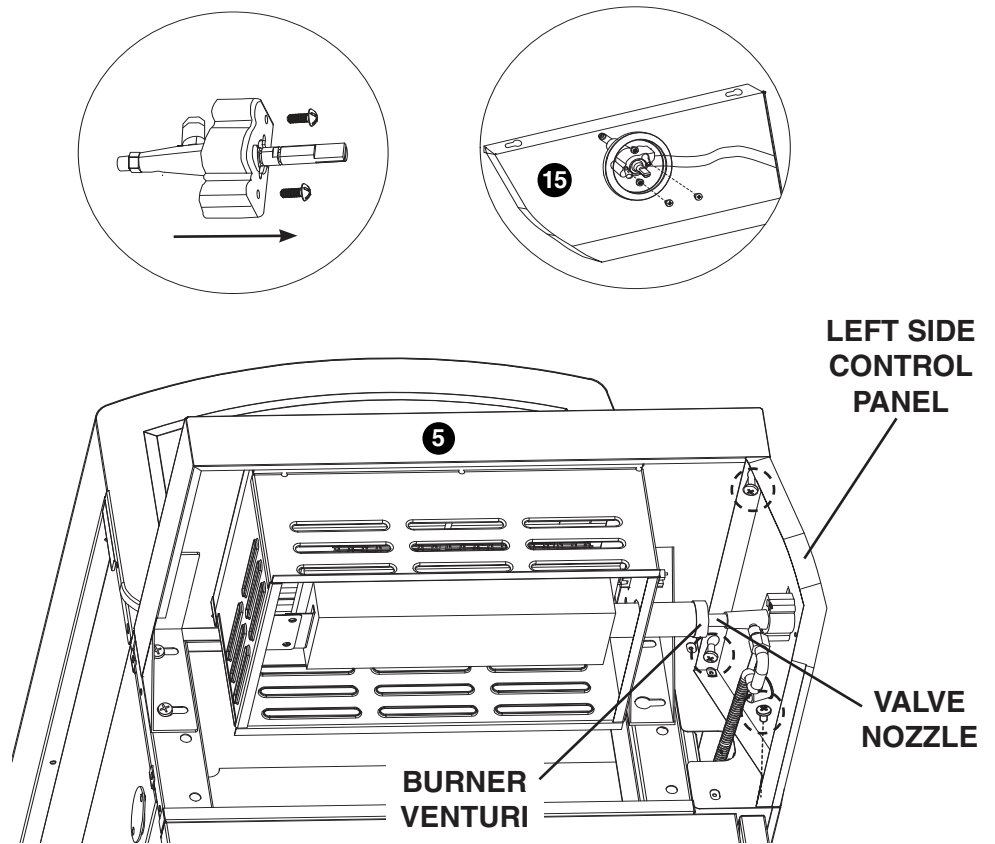
Step 7b

- Attach **IGNITOR WIRES (RED & WHITE)** to back of **IGNITOR BUTTON**



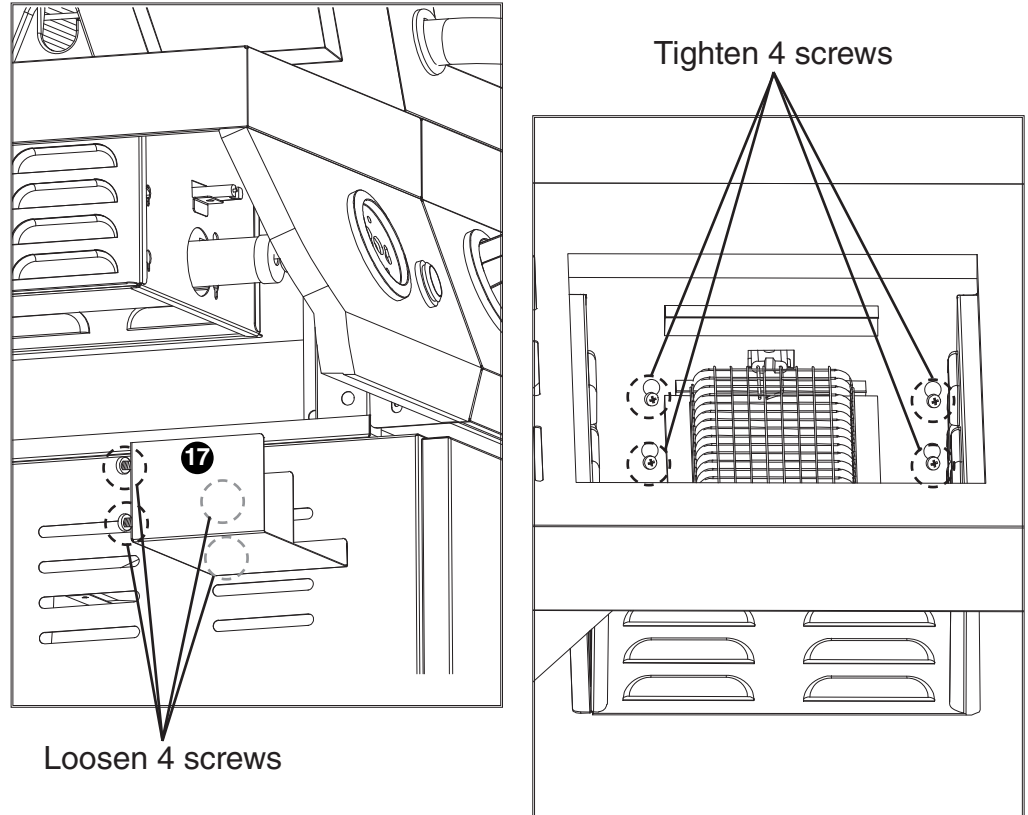
Step 8

- Remove 2 screws from **SEAR BURNER VALVE**
- Insert **SEAR BURNER VALVE** through holes in **LEFT SIDE CONTROL PANEL 15**
- Tighten 2 screws on **LEFT SIDE CONTROL PANEL 15**
- Attach **LEFT SIDE CONTROL PANEL 15** to **RIGHT SIDE TABLE 5** using keyholes and screw (Removed in Step 2) make sure **BURNER VENTURI** fits over **VALVE NOZZLE**

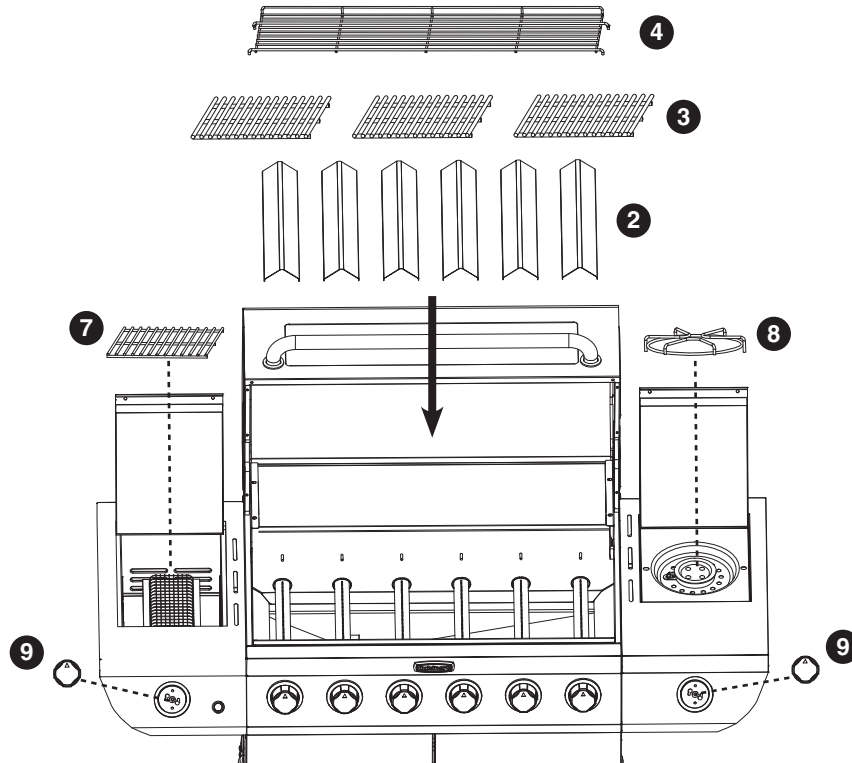


Step 9

- Loosen 4 screws on **SEAR BURNER WIND GUARD 17**
- Install **SEAR BURNER WIND GUARD 17** using keyholes
- Tighten 4 screws

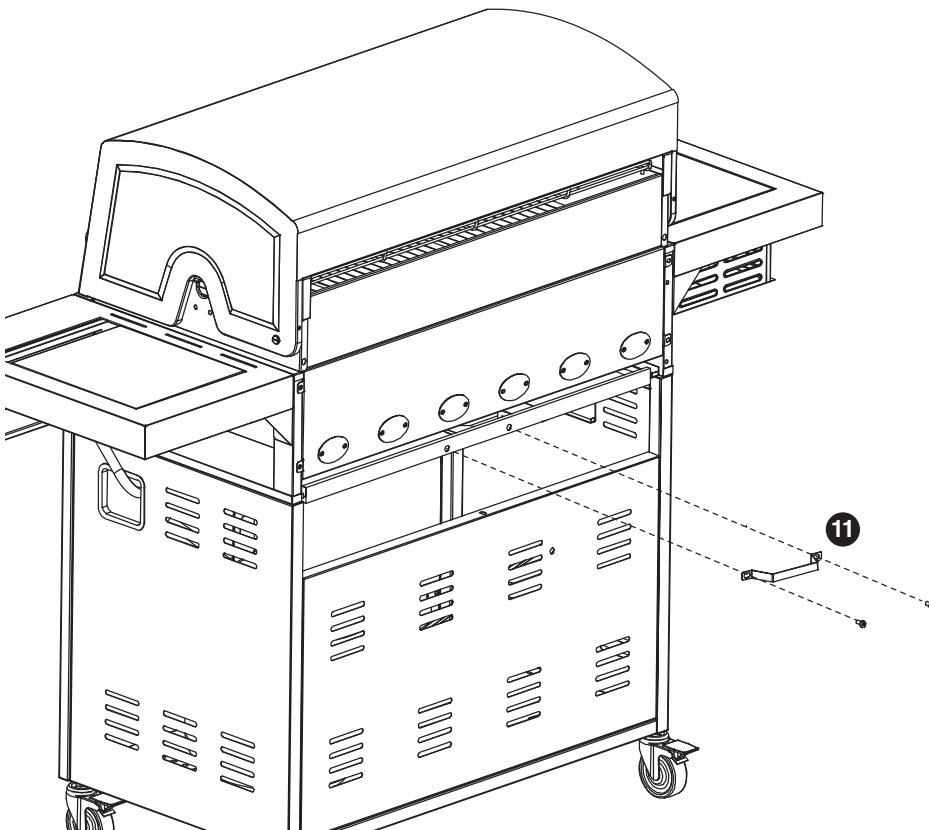


Step 10



- Install **HEAT TENTS** 2, **COOKING GRATES** 3 and **WARMING RACK** 4
- Install **SEAR BURNER GRATE** 7 and **SIDE BURNER GRATE** 8
- Install **SEAR BURNER** and **SIDE BURNER KNOBS** 9

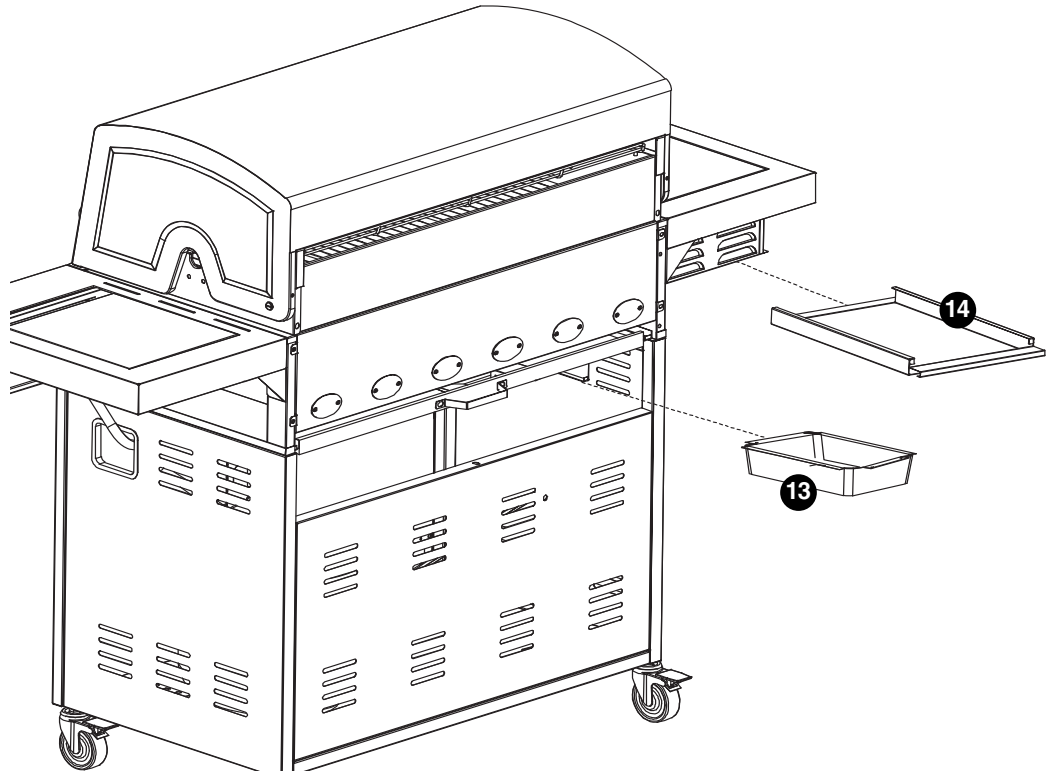
Step 11



- Remove 2 screws from **GREASE TRAY**
- Attach **GREASE TRAY HANDLE** 11 using 2 screws

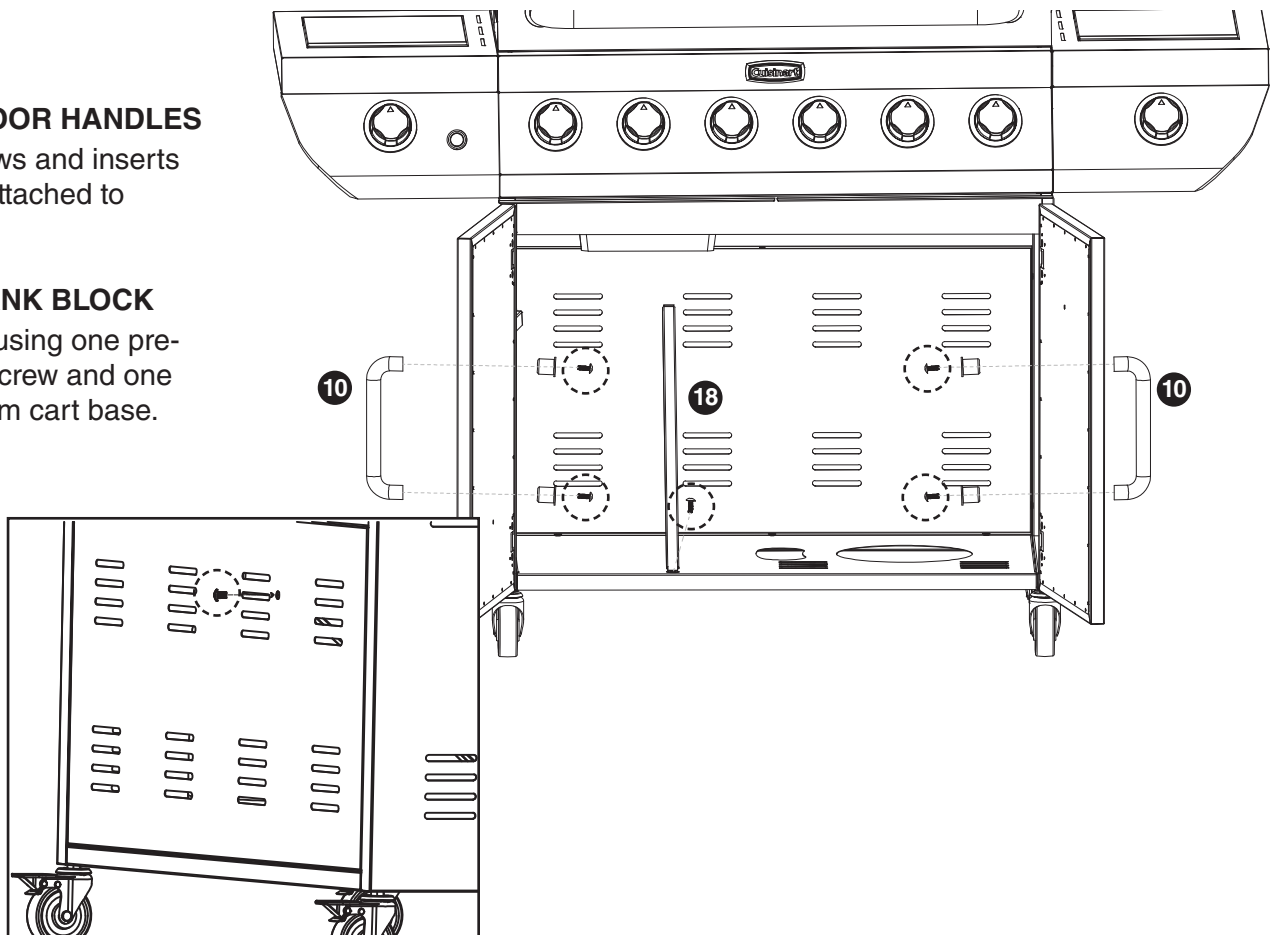
Step 12

- Install **SEAR BURNER**
GREASE TRAY 14 and
GREASE CUP 13



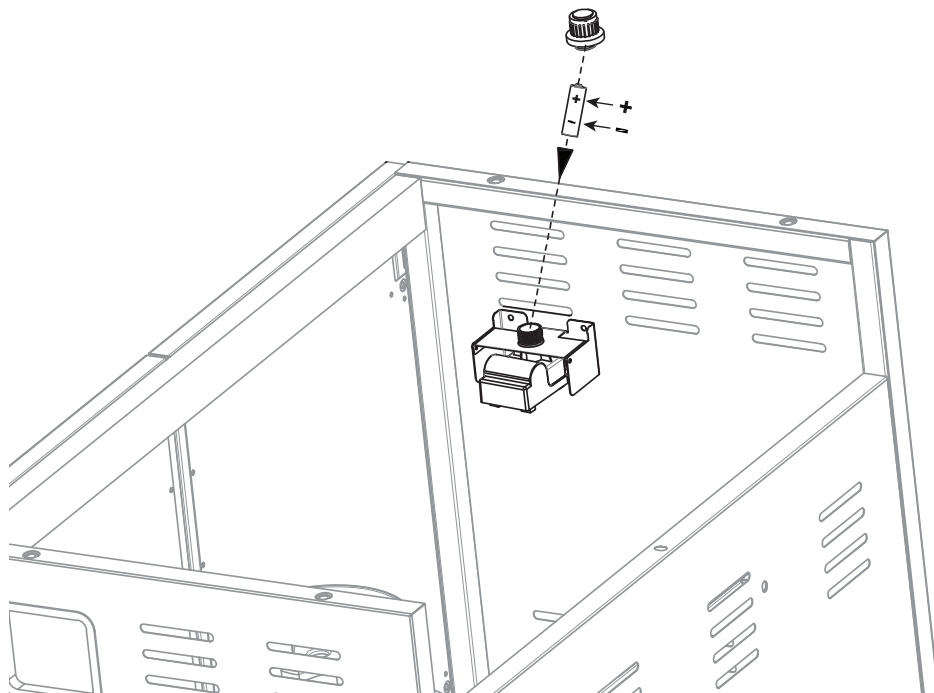
Step 13

- Install **DOOR HANDLES** 10 (Screws and inserts are pre-attached to handles)
- Install **TANK BLOCK BAR** 18 using one pre-attached screw and one screw from cart base.



Step 14

- Install AA BATTERY for **ELECTRONIC IGNITION**



Model GAS0656AF Assembled

