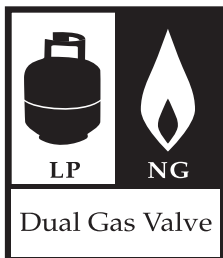
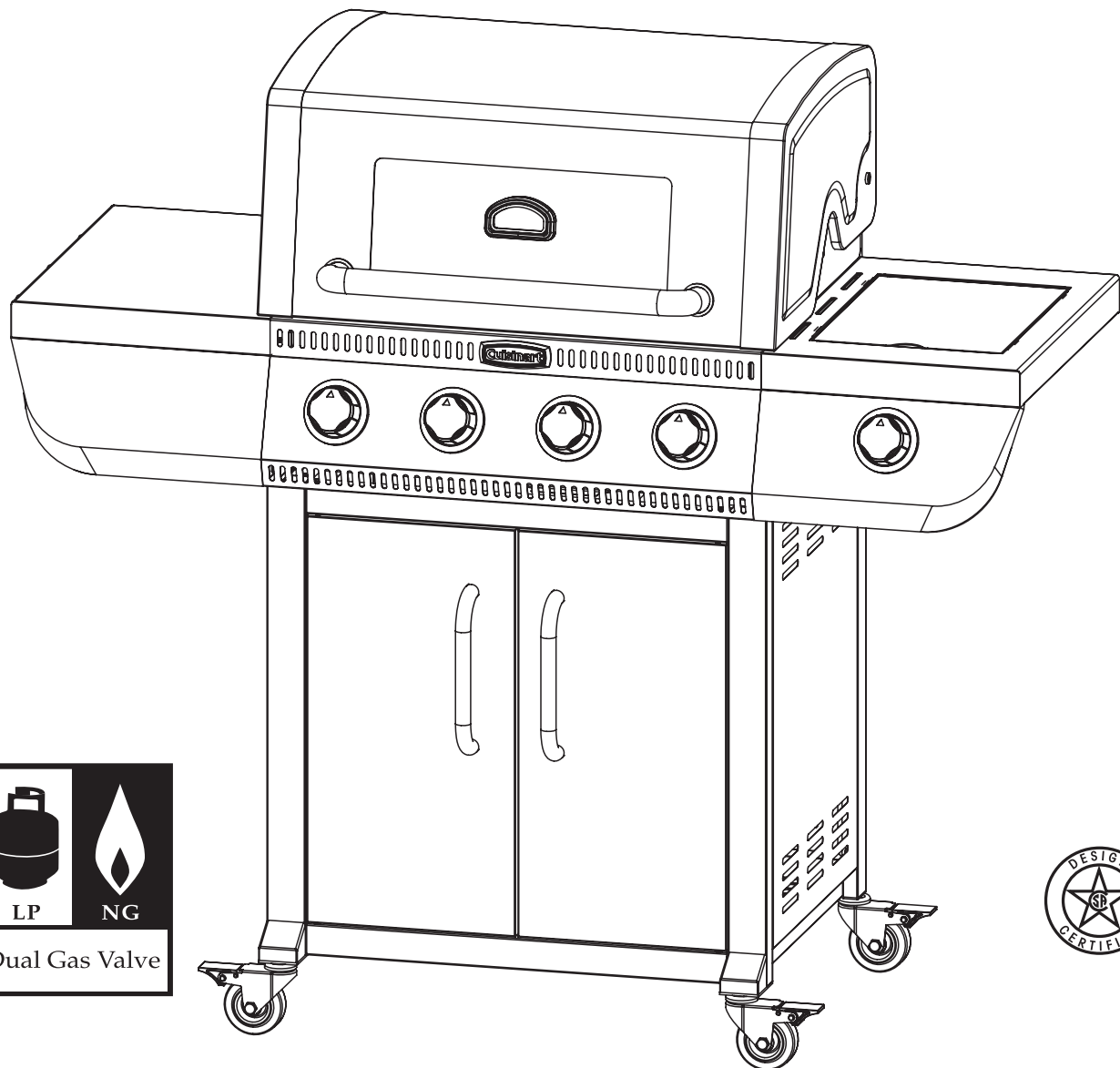


Cuisinart®

4 Burner Gas Grill

ASSEMBLY INSTRUCTIONS

Model GAS1456BSO



ASSEMBLY INSTRUCTIONS:

⚠ READ ALL SAFETY WARNINGS & ASSEMBLY INSTRUCTIONS CAREFULLY BEFORE ASSEMBLING OR OPERATING YOUR GRILL.

WE RECOMMEND TWO PEOPLE WORK TOGETHER WHEN ASSEMBLING THIS UNIT.

The following tools are required to assemble this Cuisinart 4 Burner Gas Grill:

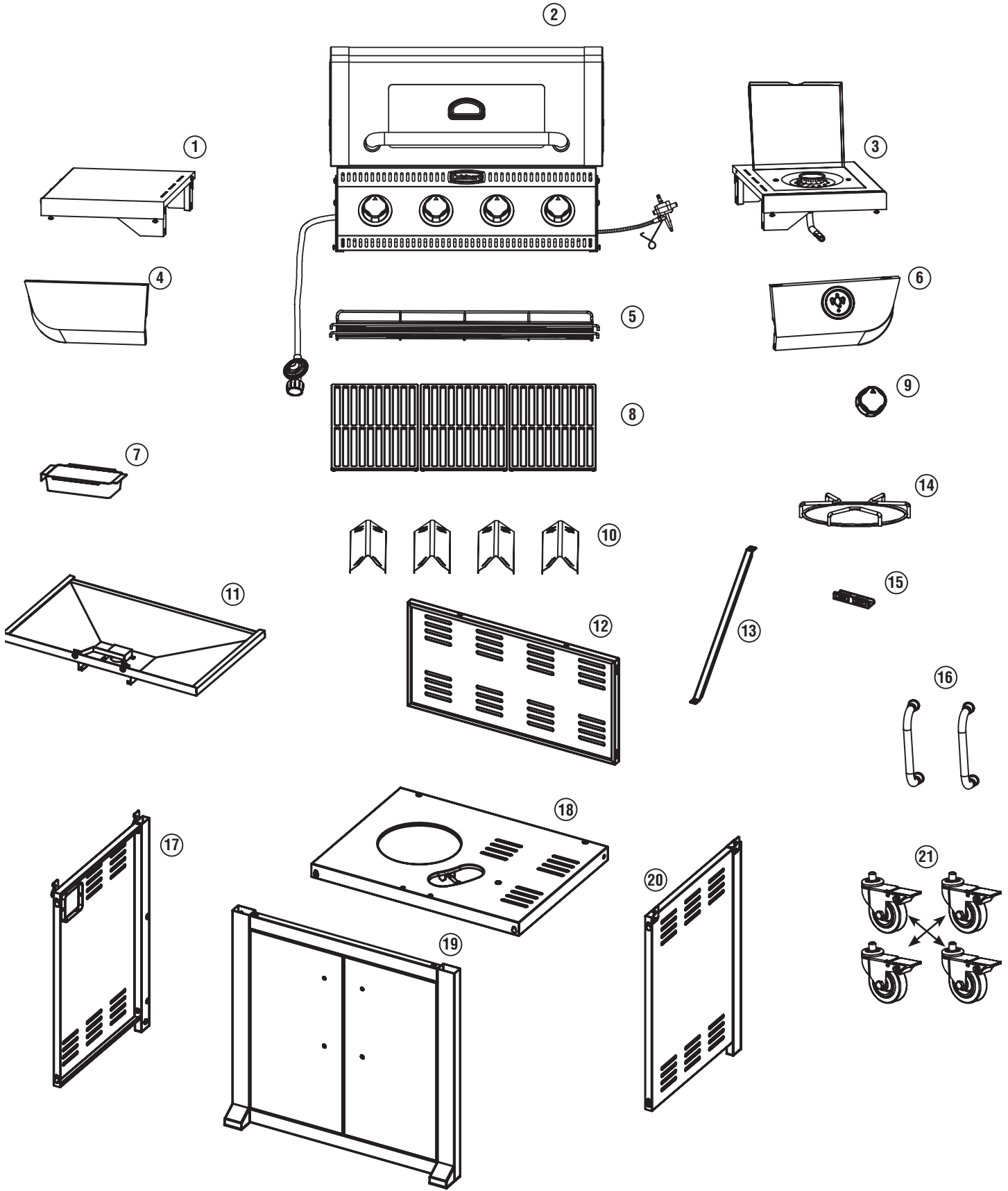
- **Phillips Screwdriver**

PARTS LIST:

①	1	Left Side Table	⑫	1	Back Panel
②	1	Grill Body	⑬	1	Tank Block Bar
③	1	Right Side Table	⑭	1	Side Burner Grate
④	1	Left Side Control Panel	⑮	1	Door Stopper
⑤	1	Warming Rack	⑯	2	Door Handles
⑥	1	Right Side Control Panel	⑰	1	Left Side Panel
⑦	1	Grease Cup	⑱	1	Cart Base
⑧	3	Cooking Grates	⑲	1	Door Frame
⑨	1	Side Burner Knob	⑳	1	Right Side Panel
⑩	4	Heat Tents	㉑	4	Casters
⑪	1	Grease Tray			

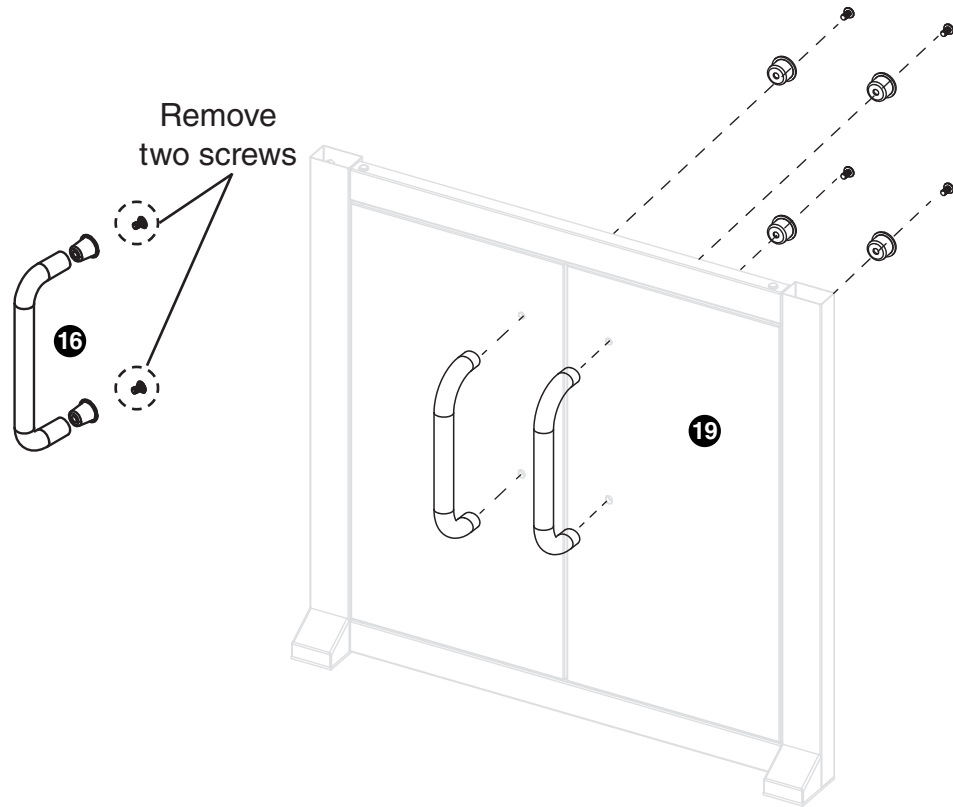
Note: Most hardware is pre-attached to the grill. You may need to loosen some screws partially while others may need to be removed in order to assemble parts. The screws that you remove will be re-used so don't misplace this hardware.

Extra screws are included in a small bag with the owners manual.



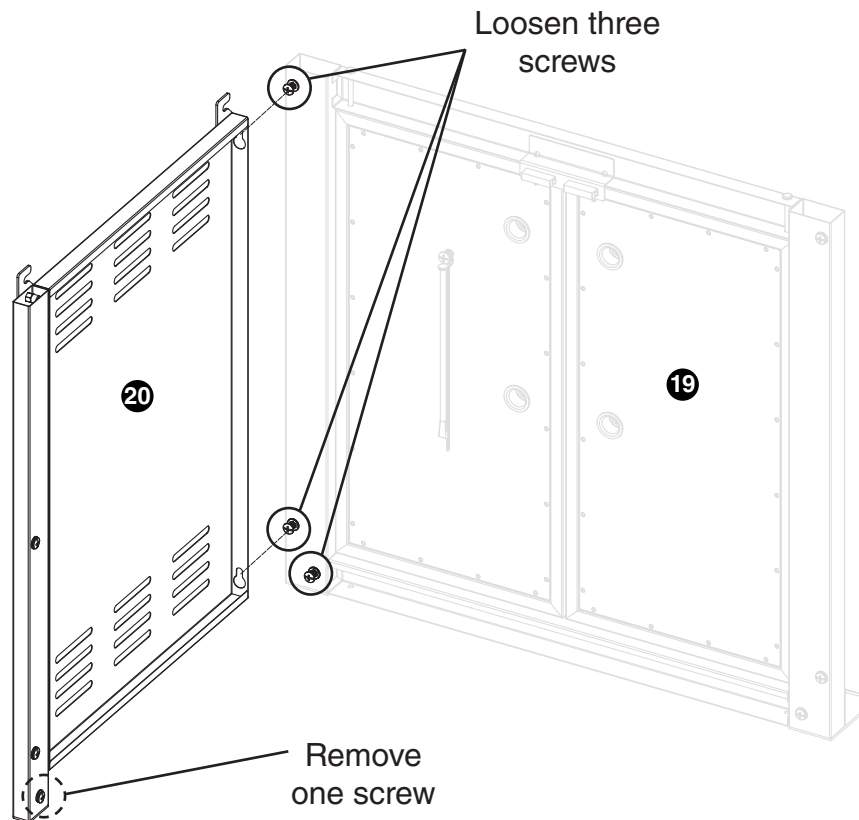
Step 1

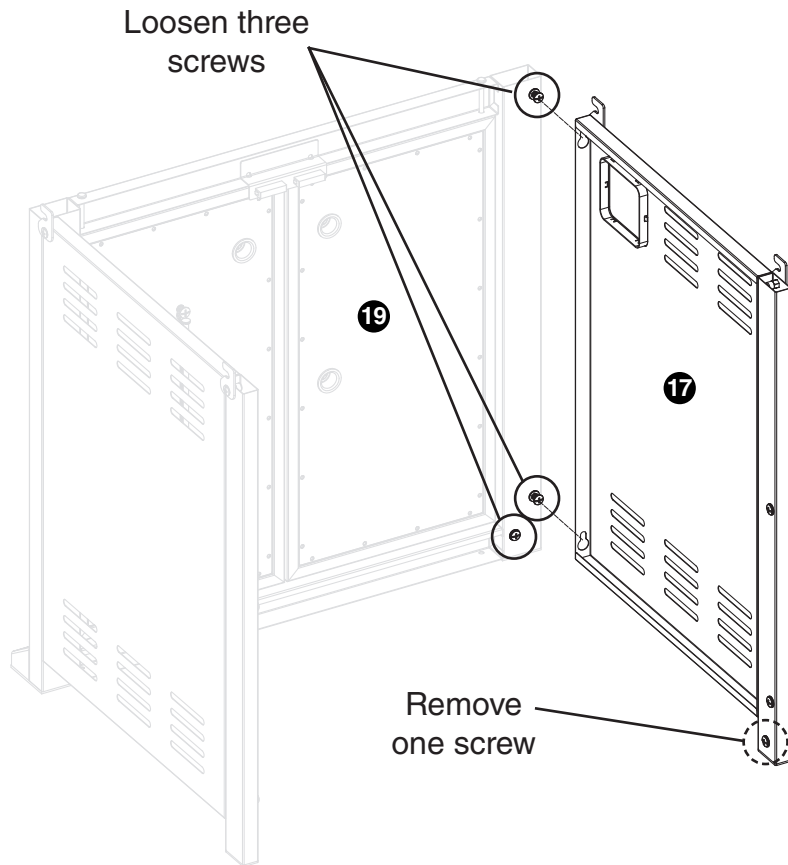
- Remove two screws and door spacers from each door handle **16**.
- Attach door handles **16** to doors in door frame **19** using four screws.



Step 2

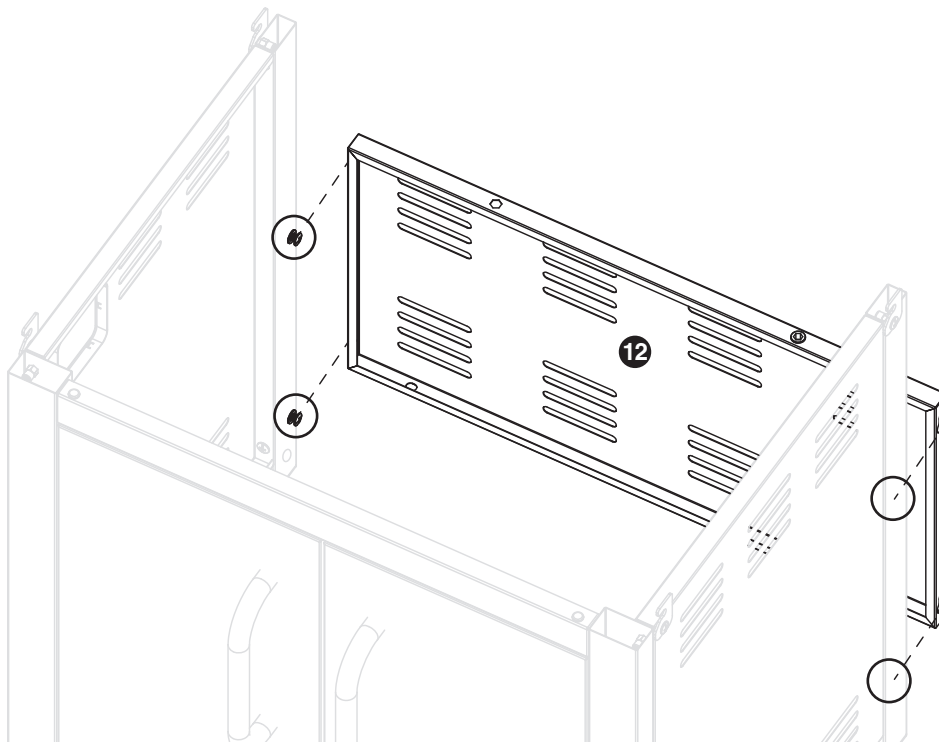
- Loosen three screws on door frame **19**.
- Attach right side panel **20** to door frame **19** over keyholes and tighten screws.
- Remove one screw and set aside.





Step 3

- Loosen three screws on door frame 19.
- Attach left side panel 17 to door frame 19 over keyholes and tighten screws.
- Remove one screw and set aside.

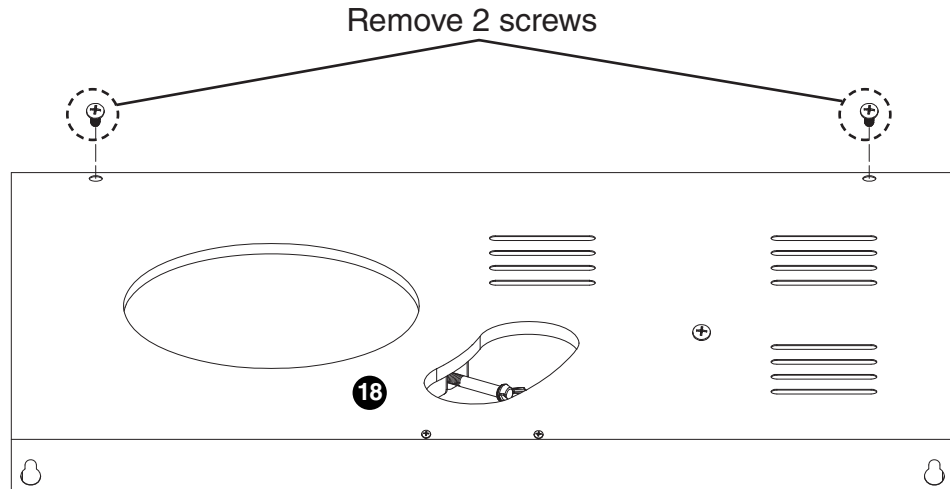


Step 4

- Loosen four screws on cart side panels.
- Attach back panel 12 to cart over keyholes and partially tighten screws.
- Do not fully tighten screws at this time.

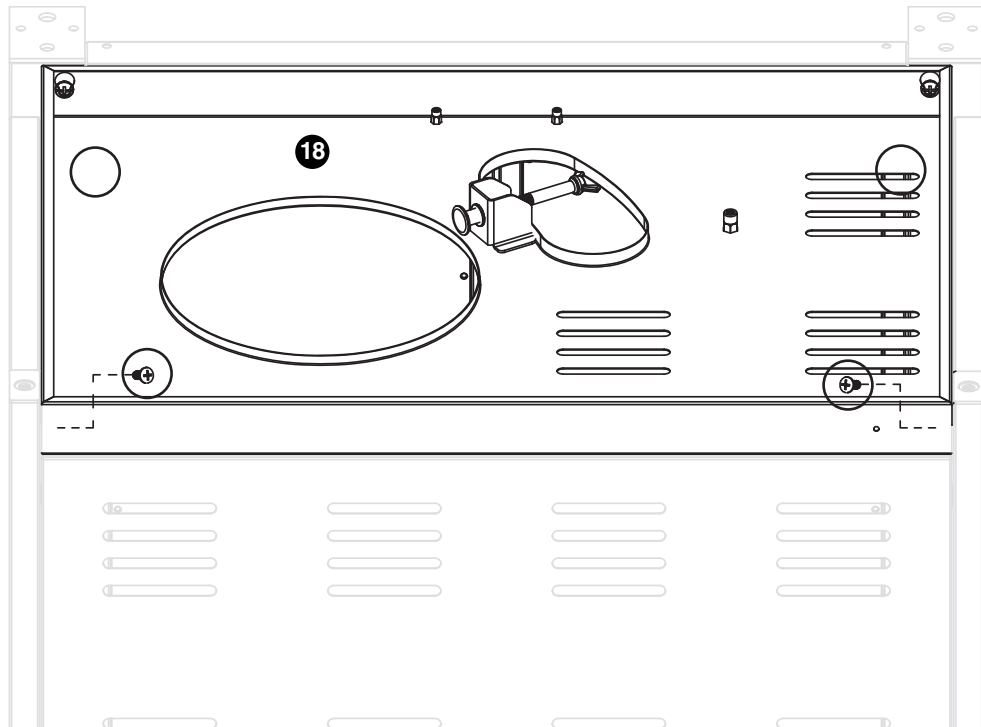
Step 5

- Remove two screws from cart base **18**.

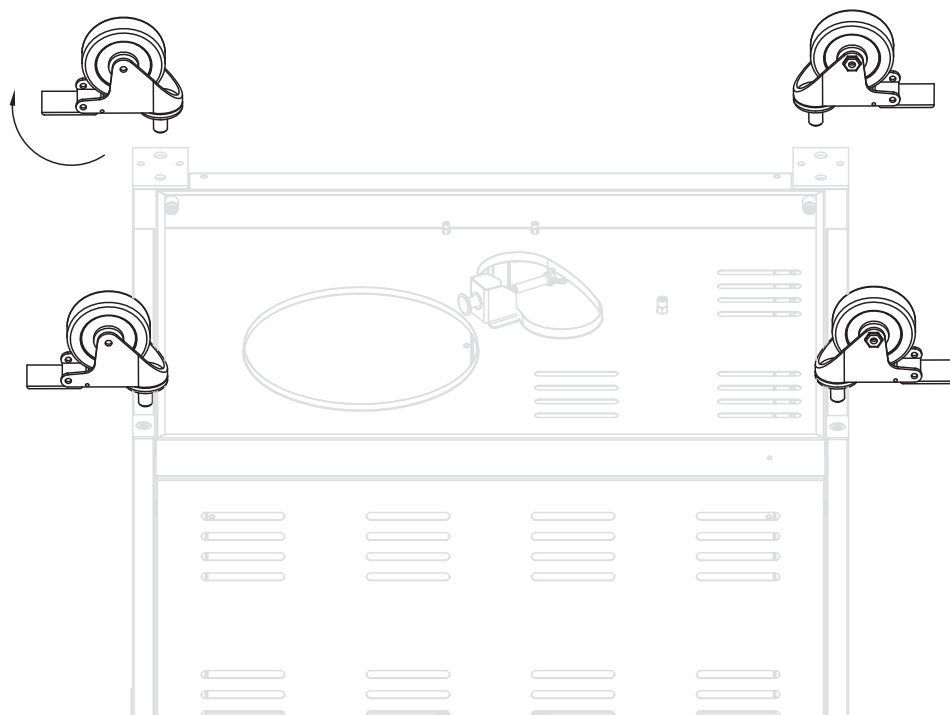


Step 6

- Attach cart base **18** to cart using two pre-attached screws and two screws removed from Steps 2 and 3.
- Tighten all screws on cart base **18**.

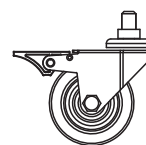


Step 7

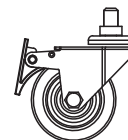


- Lock casters 21.
- Attach casters 21 to legs

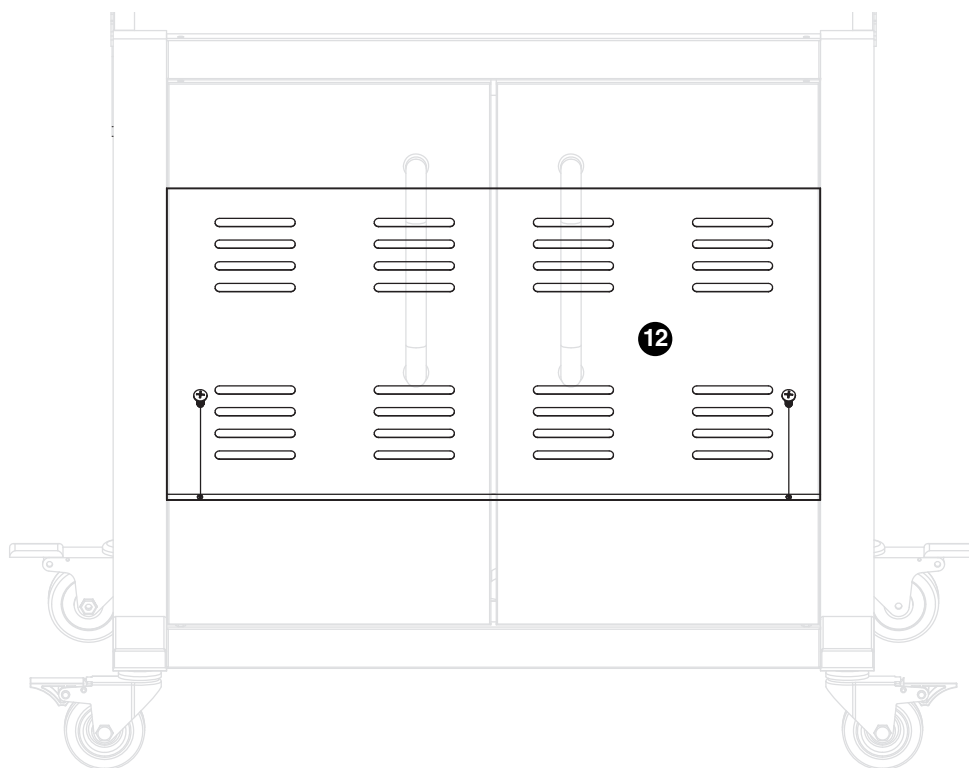
Unlocked



Locked



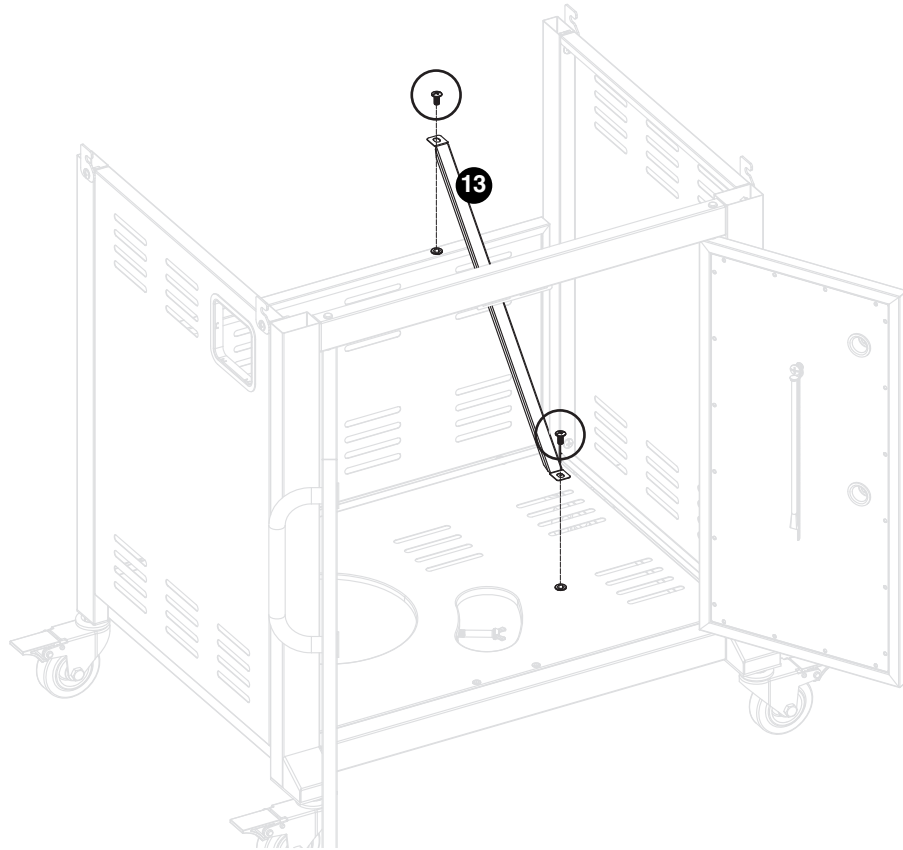
Step 8



- Attach back panel 12 using two screws removed from Step 5.
- Tighten the four screws from Step 4.

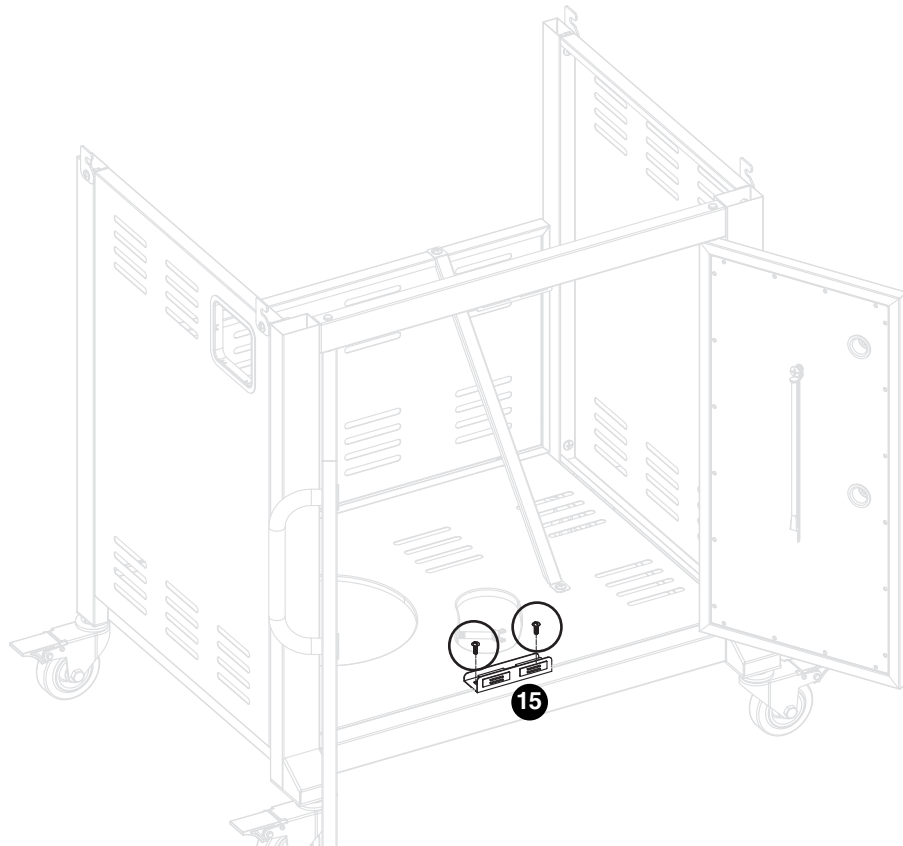
Step 9

- Attach tank block bar **13** to cart using two pre-attached screws.

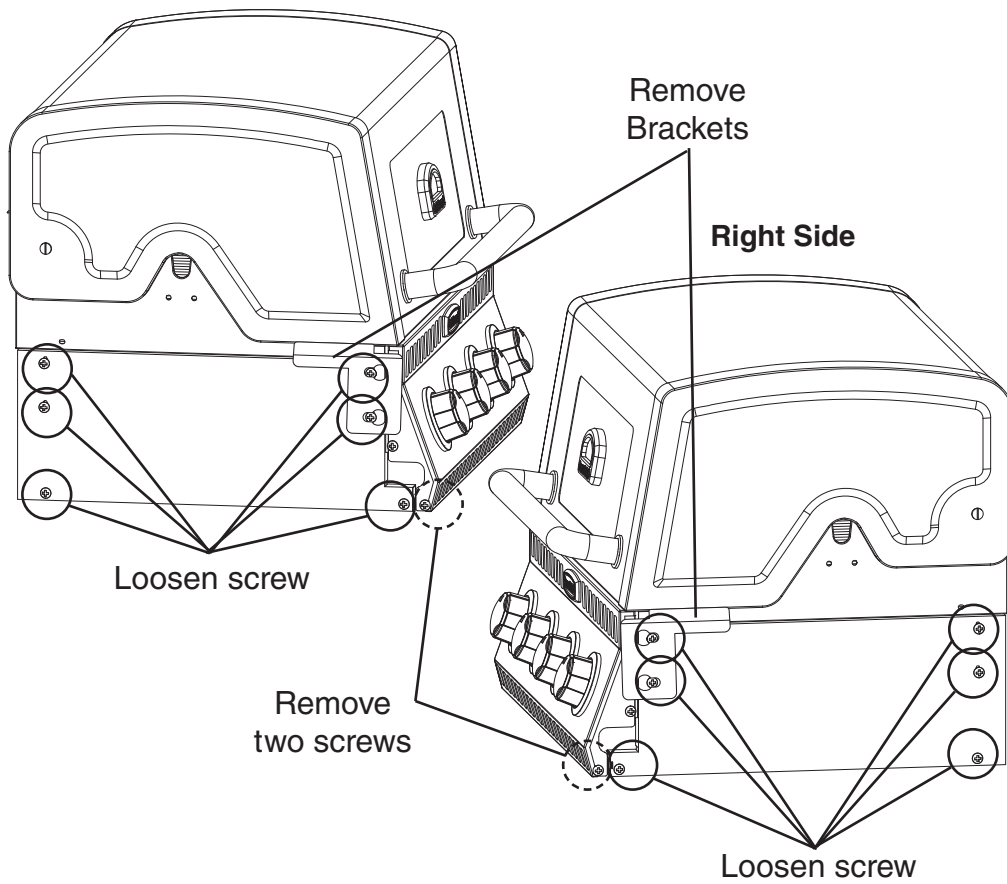


Step 10

- Attach door stopper **15** to cart base using two pre-attached screws.



Left Side



Step 11

LEFT SIDE

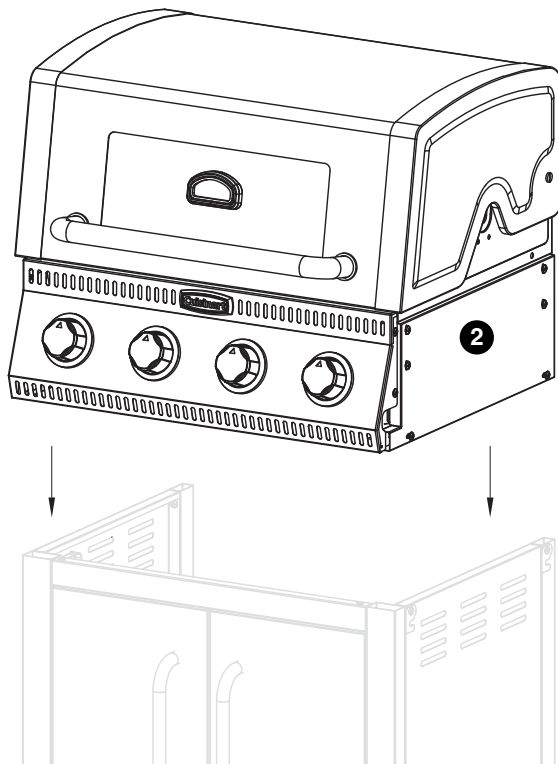
- Loosen six screws.
- Remove protective bracket.
- Remove 1 screw.

RIGHT SIDE

- Loosen six screws.
- Remove protective bracket.
- Remove 1 screw.

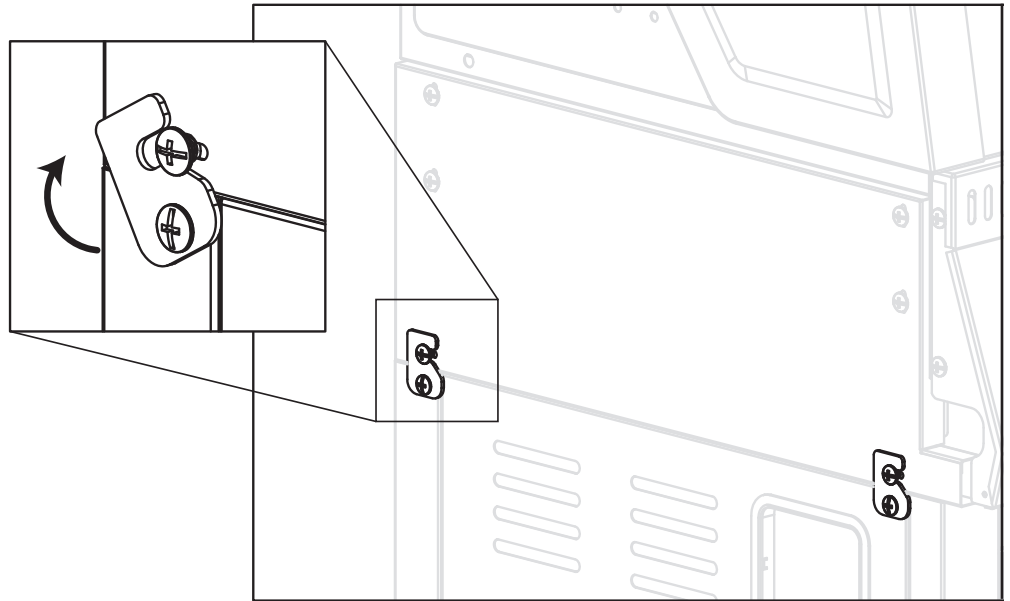
Step 12

- Place grill body assembly **2** on cart.



Step 13

- Loosen screws and rotate brackets upwards.
- Tighten screws.
- Repeat on both sides of grill body.

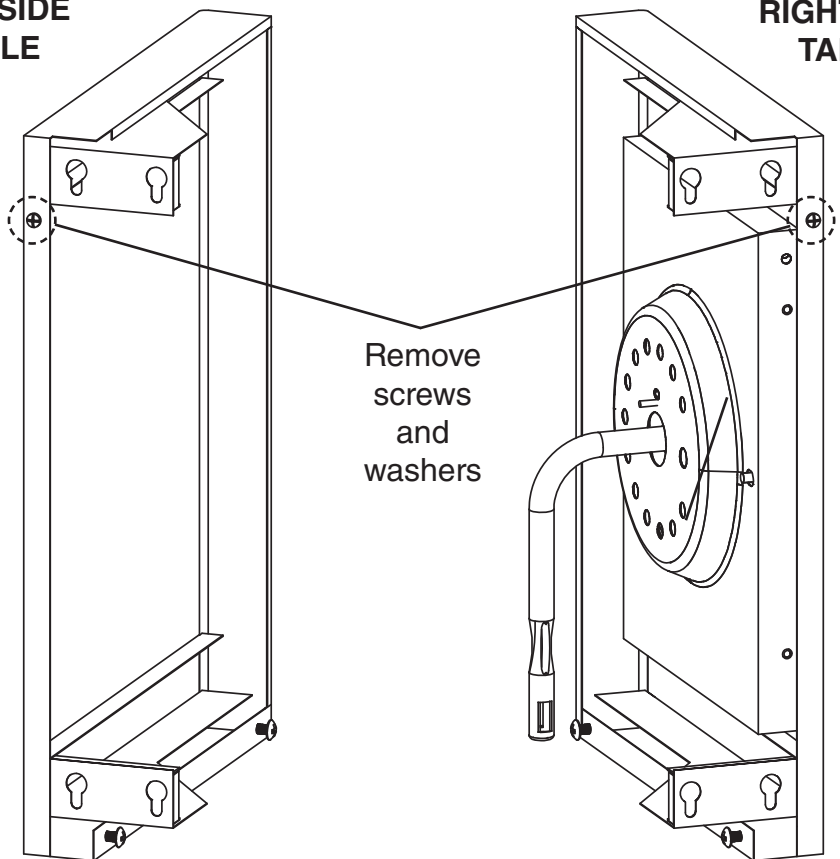


Step 14

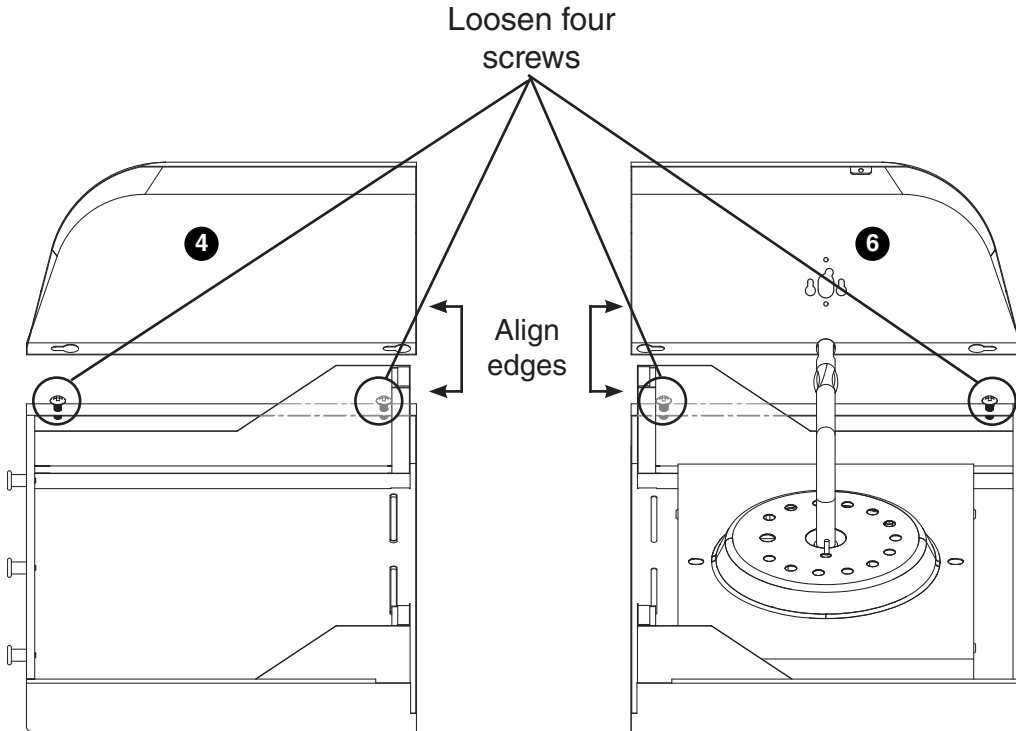
- Remove two screws and washers and set aside.

LEFT SIDE TABLE

RIGHT SIDE TABLE

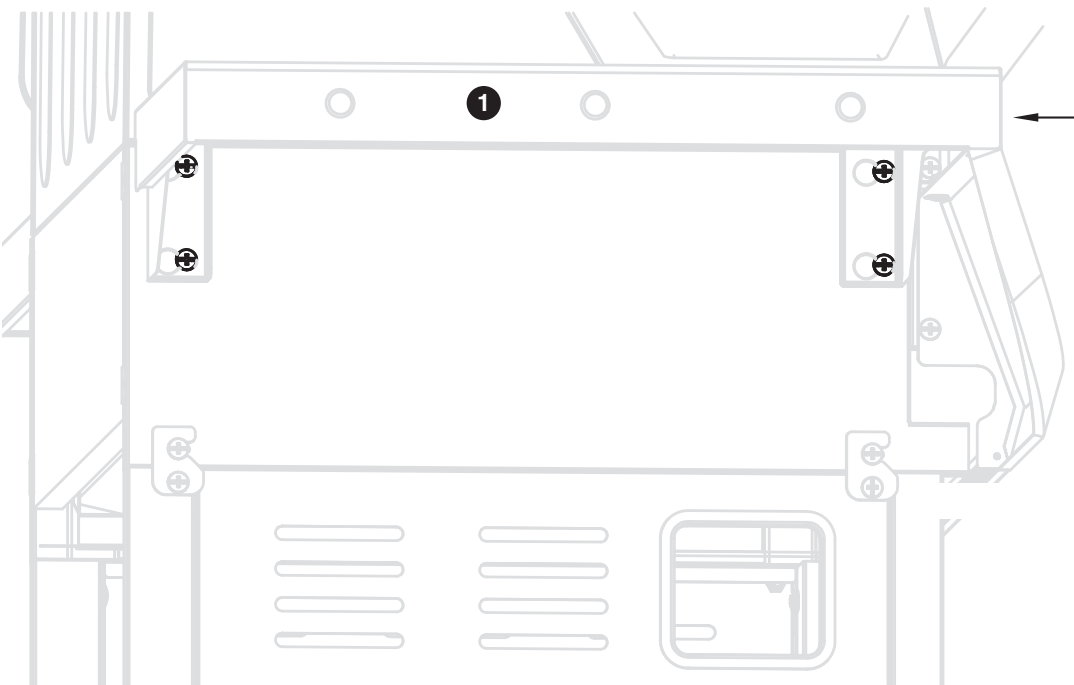


Step 15



- Loosen 4 screws.
- Attach left and right front control panels **4** and **6** over keyholes.
- Tighten screws.

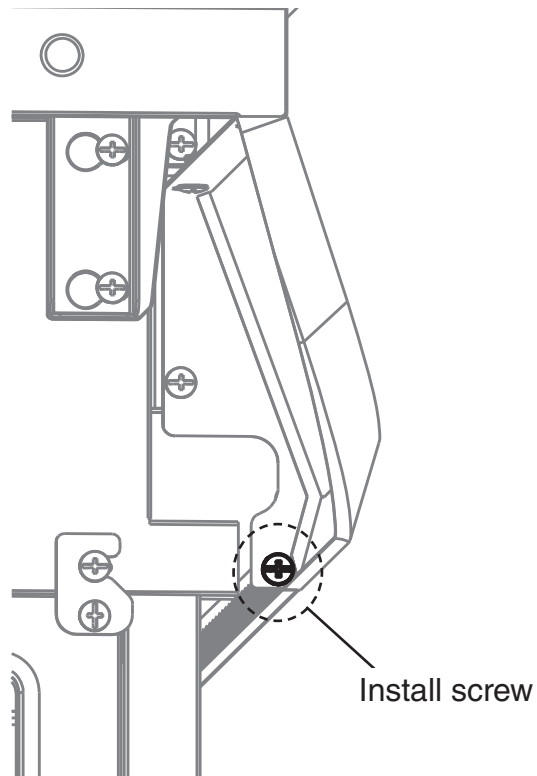
Step 16



- Attach left side table **1** over keyholes.
- Do not tighten screws at this point in time.

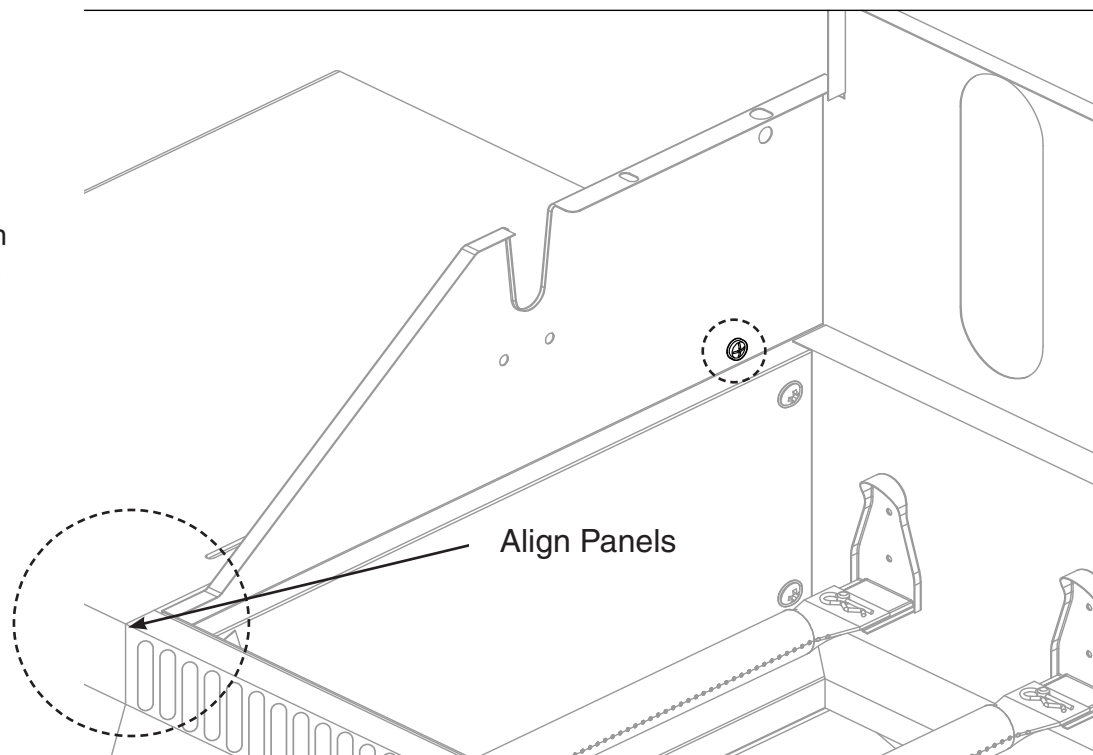
Step 17

- Install screw.
(screw was removed in Step 11)
- Do not tighten screw at this time.

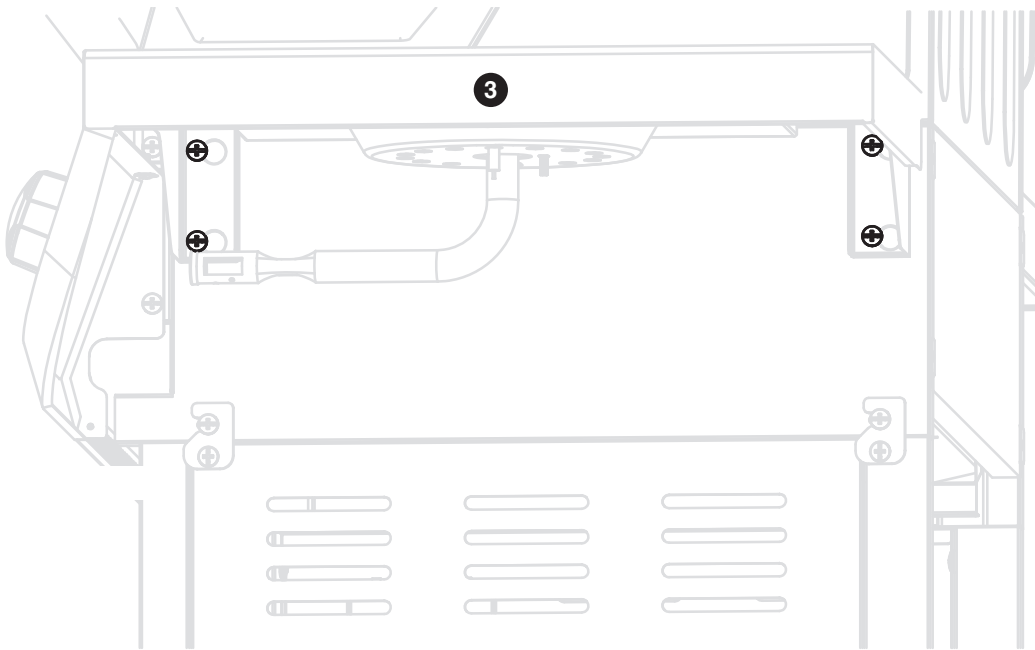


Step 18

- Install screw and washer (screw and washer were removed in Step 14). Do not tighten screw at this time.
- Make sure panels are aligned.
- Tighten 6 screws from Steps 16 through 18.

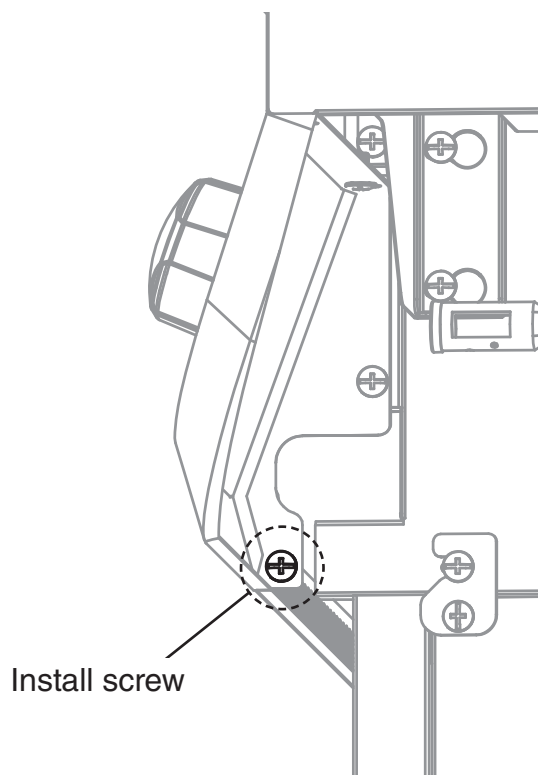


Step 19



- Attach right side table **3** over keyholes.
- Do not tighten screws at this time.

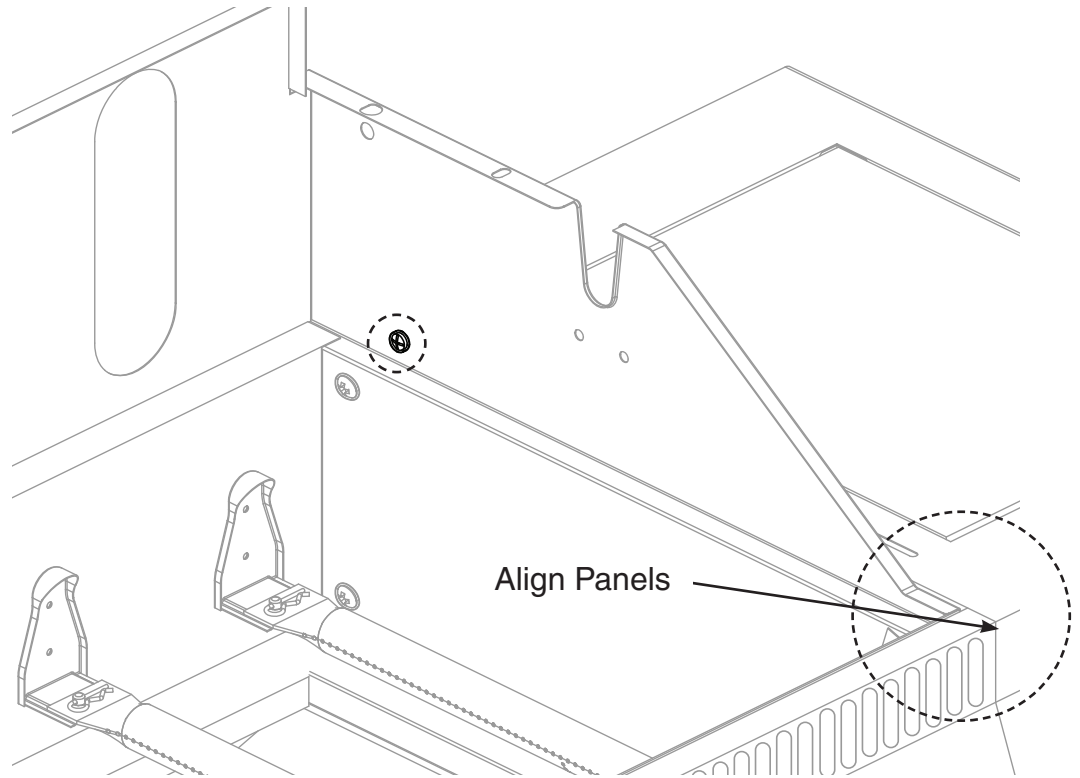
Step 20



- Install screw. (screw was removed in Step 11)
- Do not tighten screw at this time.

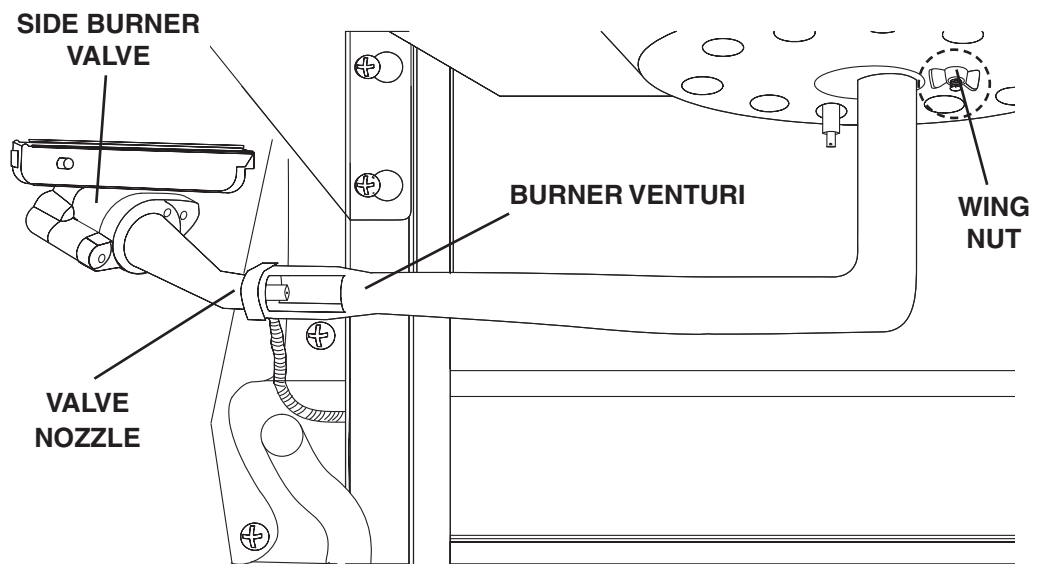
Step 21

- Install screw and washer (screw and washer were removed in Step 14). Do not tighten screw at this time.
- Make sure panels are aligned.
- Tighten 6 screws from Steps 19 through 21.



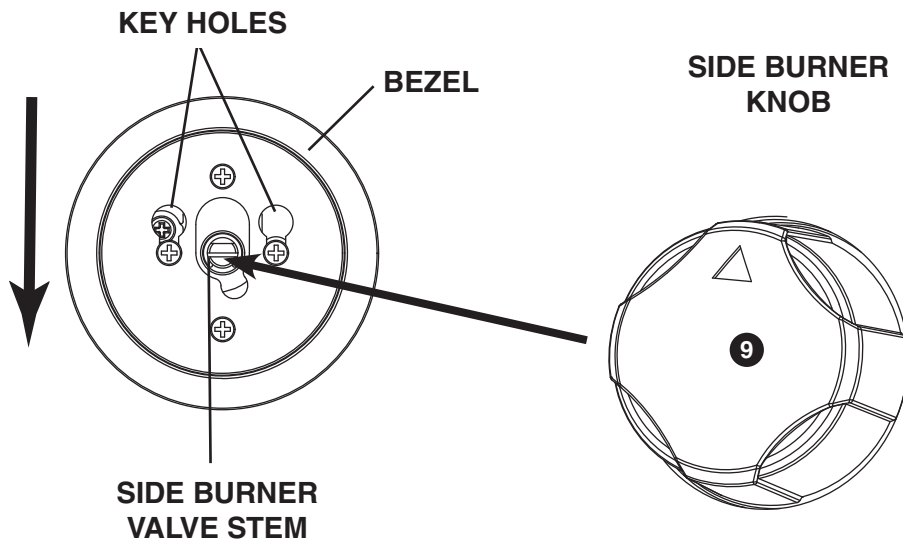
Step 22

- Remove wing nut and remove burner. Install side burner valve in control panel.
- Slide valve downward and tighten two screws to lock into place (see diagram Step 23)
- Install burner and make sure burner venturi fits over valve nozzle.
- Tighten wing nut.



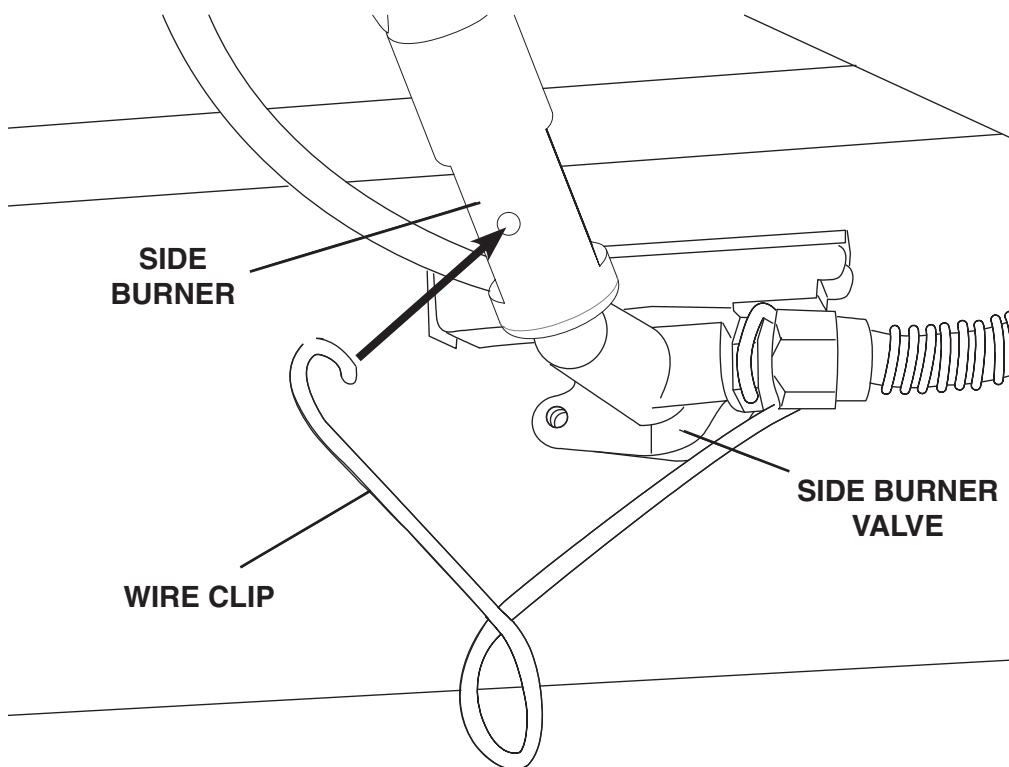
Step 23

- Install side burner knob 9.



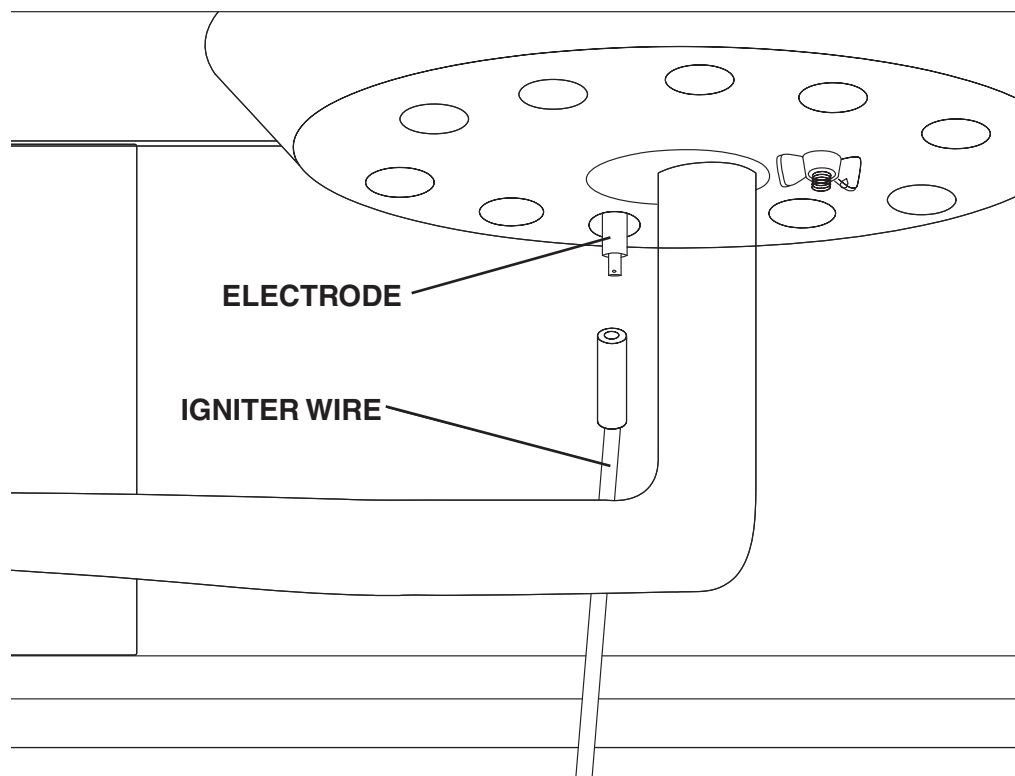
Step 24

- Attach wire clip to side burner.



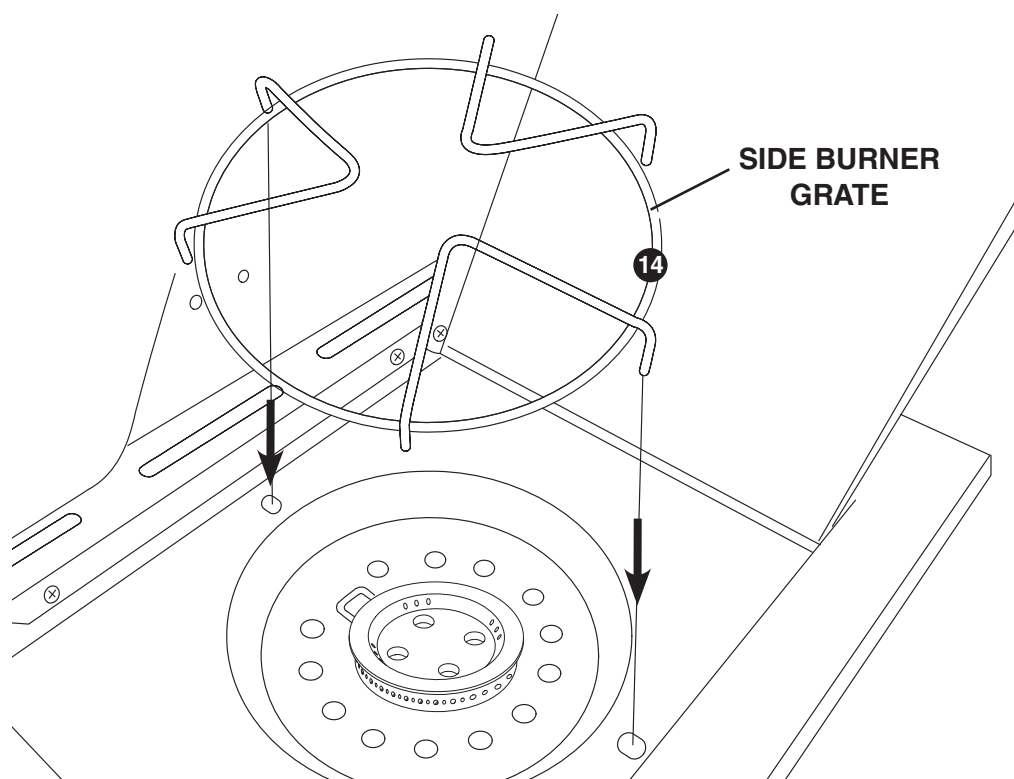
Step 25

- Attach ignitor wire to electrode.

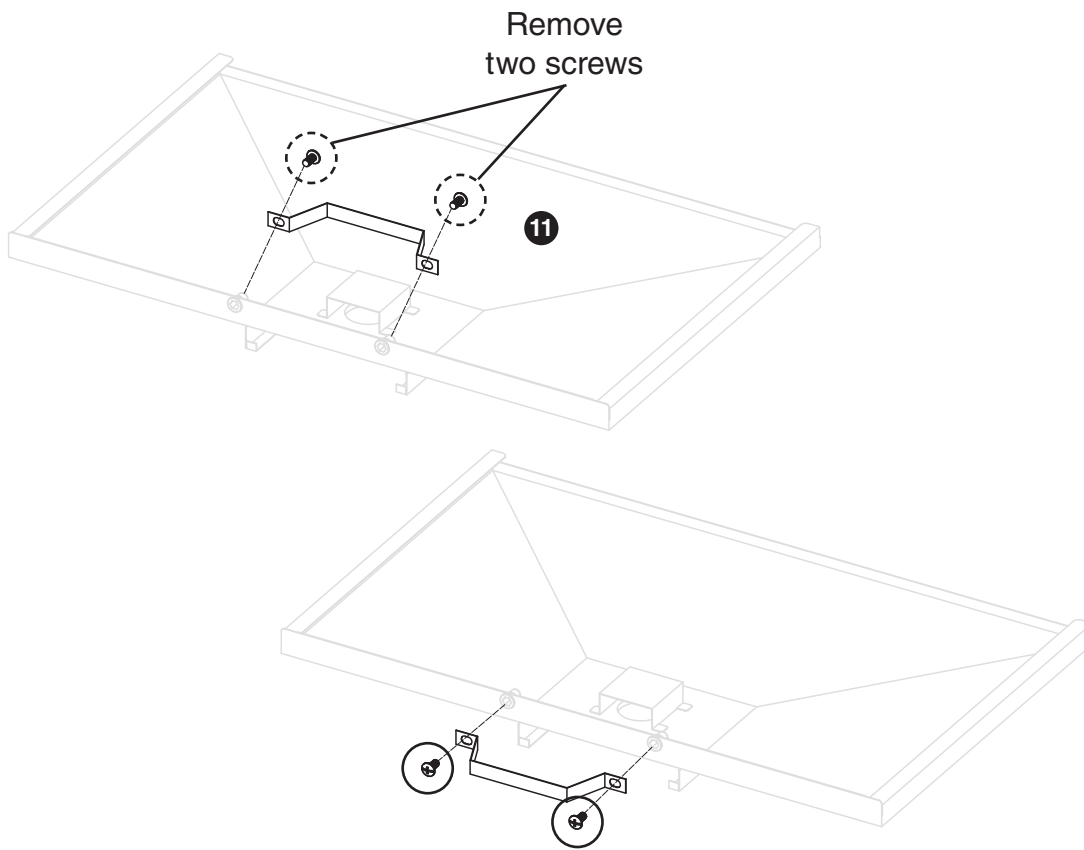


Step 26

- Install side burner grate **14**.

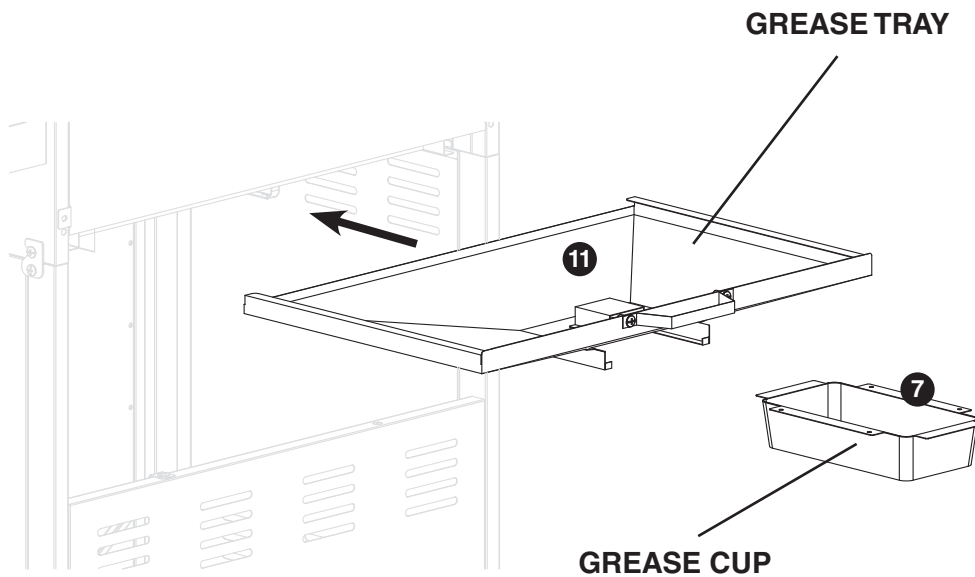


Step 27



- Remove two screws from grease tray handle.
- Attach grease tray handle to outside using two screws.
- Tighten screws.


Step 28



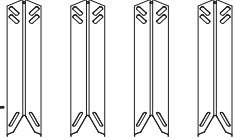
- Install grease tray 11 and grease cup 7 through back of grill.

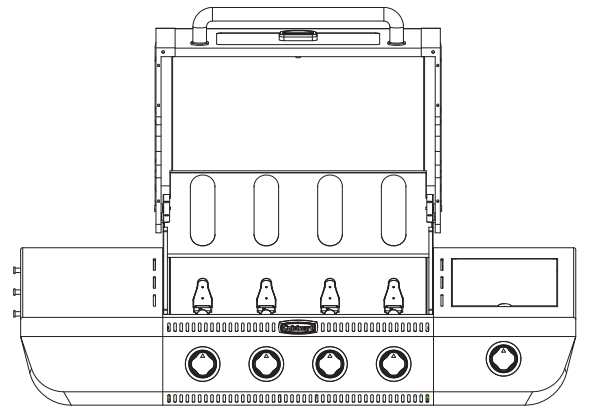
Step 29

- Install heat tents **10**, cooking grates **8** and warming rack **5**.

WARMING RACK  **5**

COOKING GRATES  **8**

HEAT TENTS  **10**



Model GAS1456BSO Assembled

