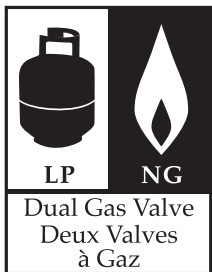
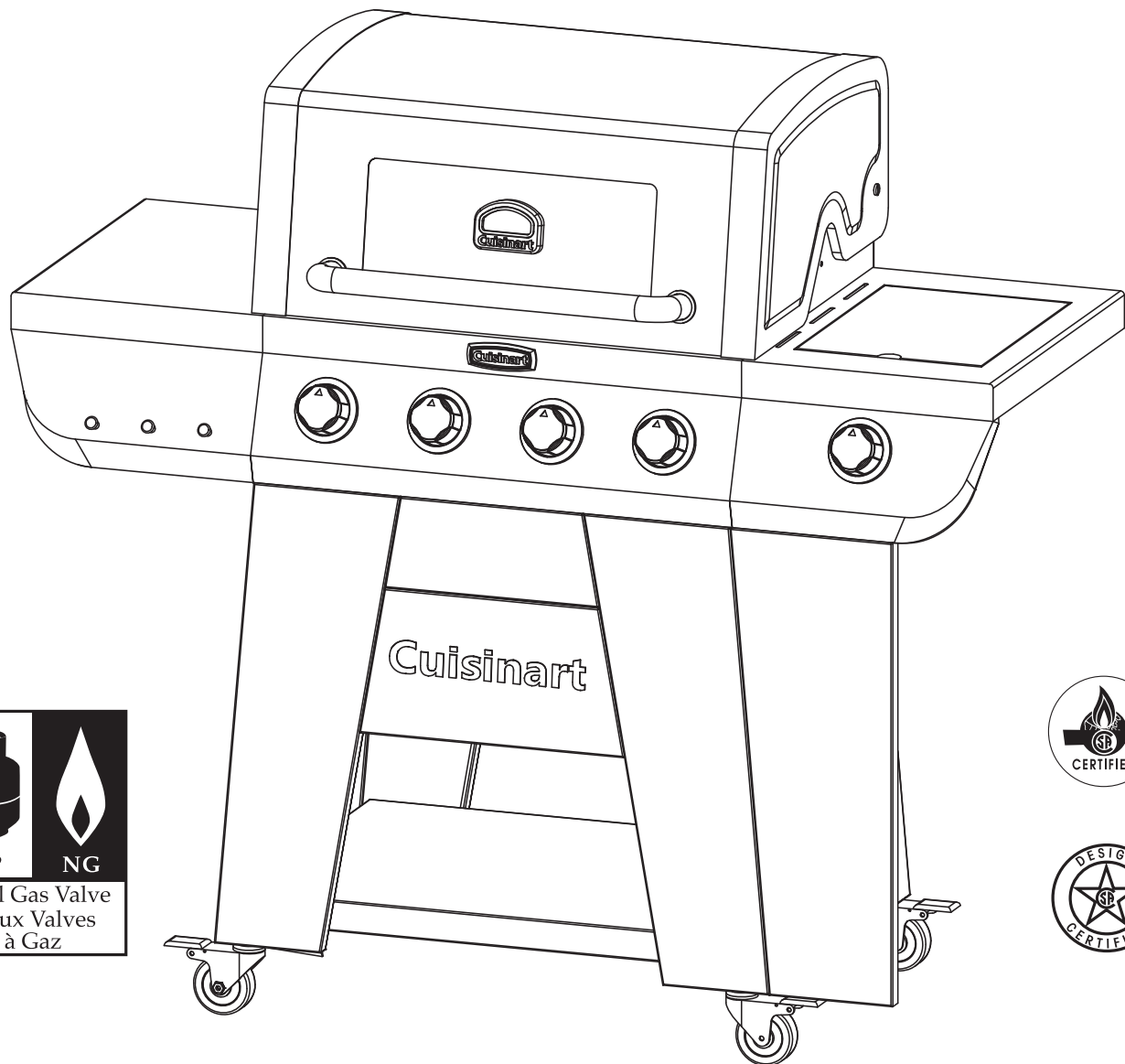


Cuisinart®

Deluxe 4 Burner Gas Grill

ASSEMBLY INSTRUCTIONS

Model GAS9456AF



ASSEMBLY INSTRUCTIONS:

▲ READ ALL SAFETY WARNINGS & ASSEMBLY INSTRUCTIONS CAREFULLY BEFORE ASSEMBLING OR OPERATING YOUR GRILL.

WE RECOMMEND TWO PEOPLE WORK TOGETHER WHEN ASSEMBLING THIS UNIT.

The following tools are required to assemble this Cuisinart 4 Burner Gas Grill:

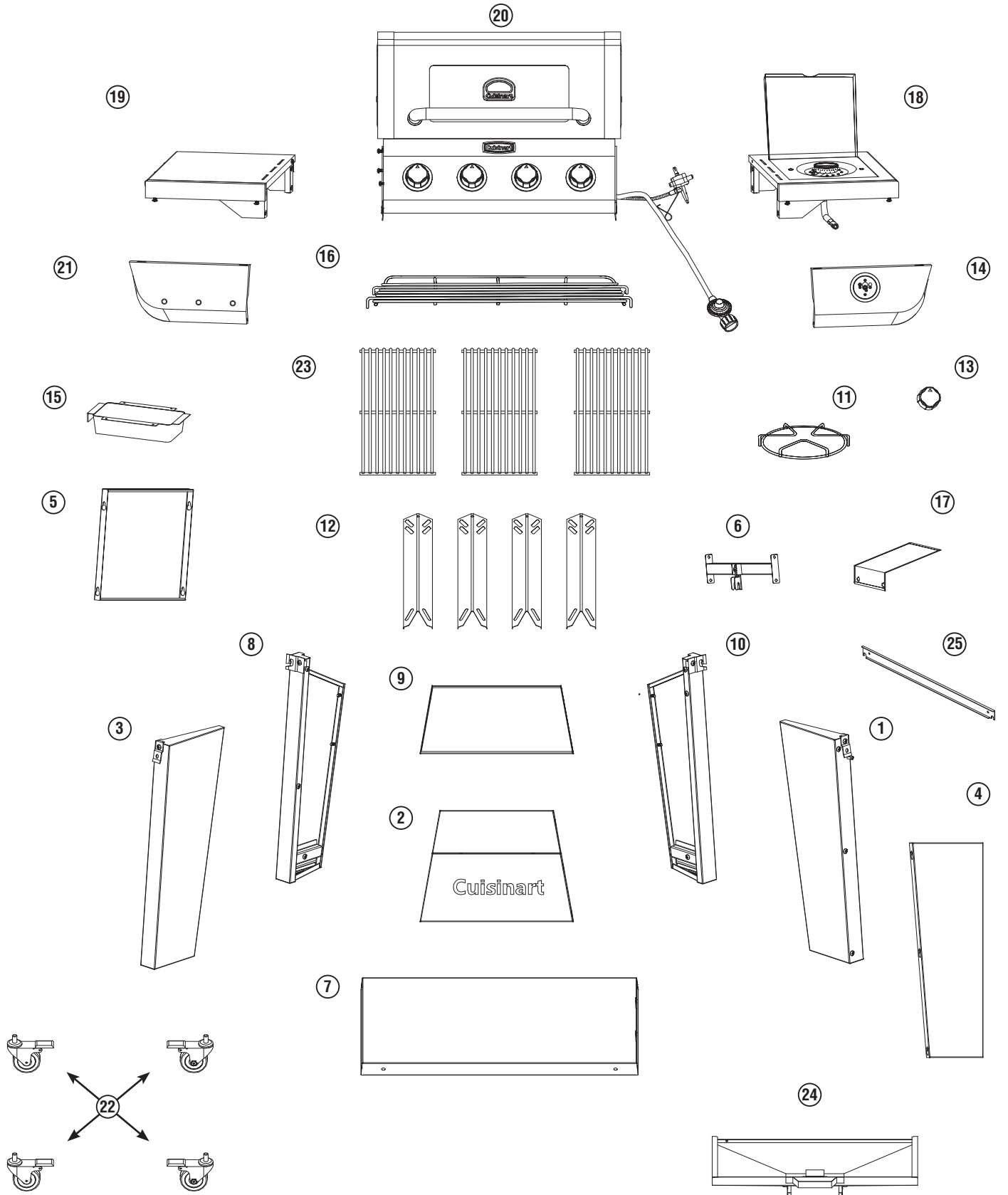
- **Phillips Screwdriver**

PARTS LIST:

①	1	Front Right Leg	⑮	1	Grease Cup
②	1	Front Panel	⑯	1	Warming Rack
③	1	Front Left Leg	⑰	1	Heat Shield
④	1	Right Side Panel	⑱	1	Right Side Table
⑤	1	Left Side Panel	⑲	1	Left Side Table
⑥	1	Cart Brace	⑳	1	Grill Body
⑦	1	Cart Base	㉑	1	Left Side Control Panel
⑧	1	Left Rear Leg	㉒	4	Casters
⑨	1	Back Panel	㉓	3	Cooking Grates
⑩	1	Right Rear Leg	㉔	1	Grease Tray
⑪	1	Side Burner Grate	㉕	1	Bar
⑫	4	Heat Tents			
⑬	1	Side Burner Knob			
⑭	1	Right Side Control Panel			

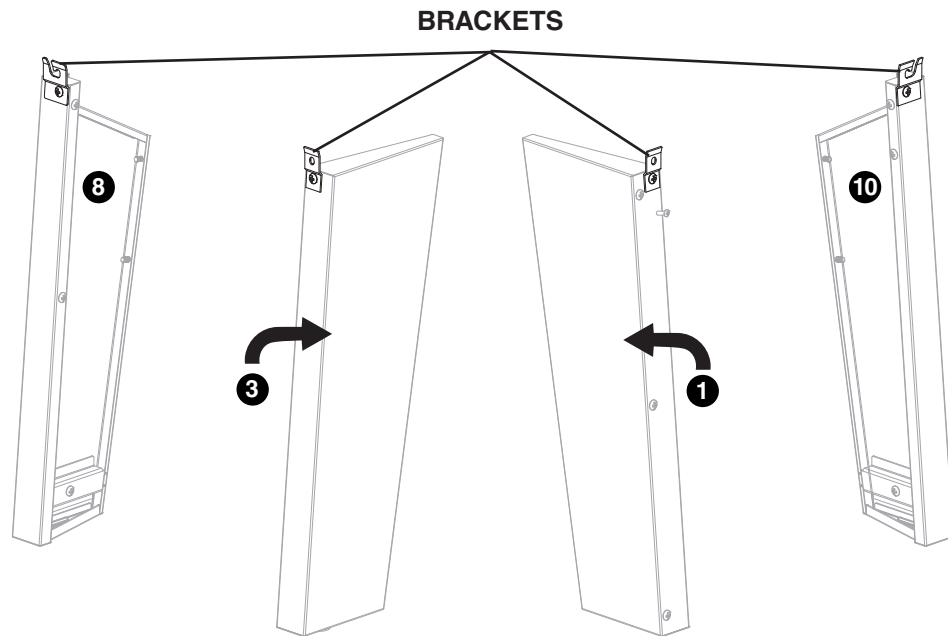
Note: Most hardware is pre-attached to the grill. You may need to loosen some screws partially while others may need to be removed in order to assemble parts. The screws that you remove will be re-used so don't misplace this hardware.

Extra screws are included in a small bag with the owners manual.



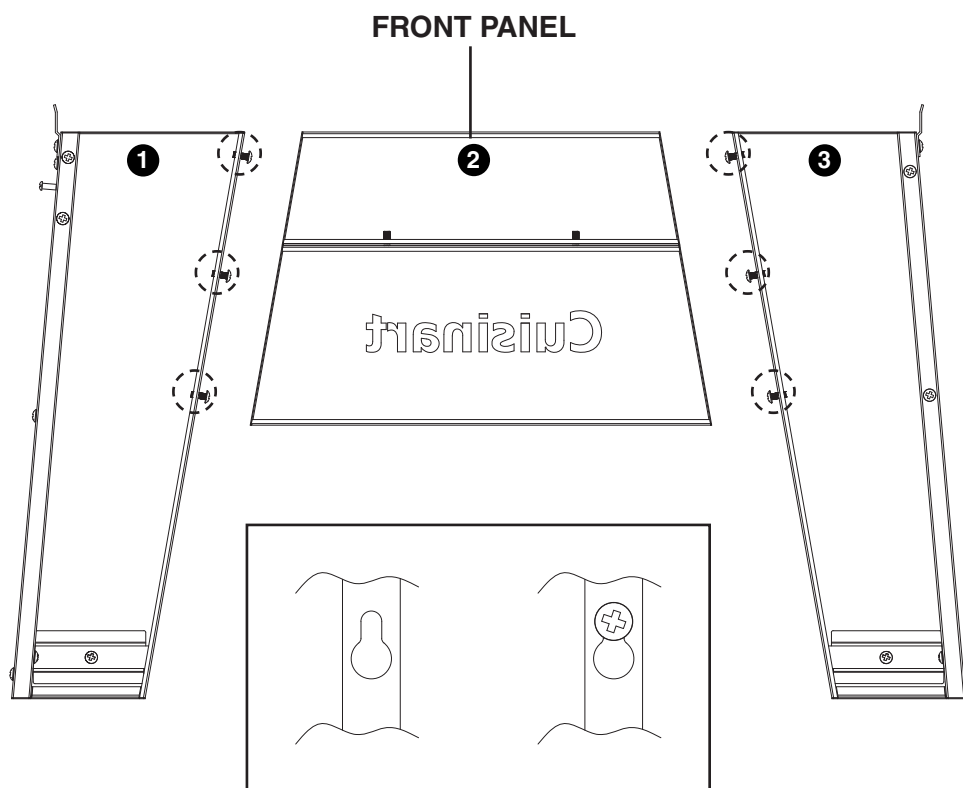
Step 1a

- Loosen screw on each **BRACKET**
- Rotate all **BRACKETS** upward and lock into slot
- Tighten screws



Step 1b

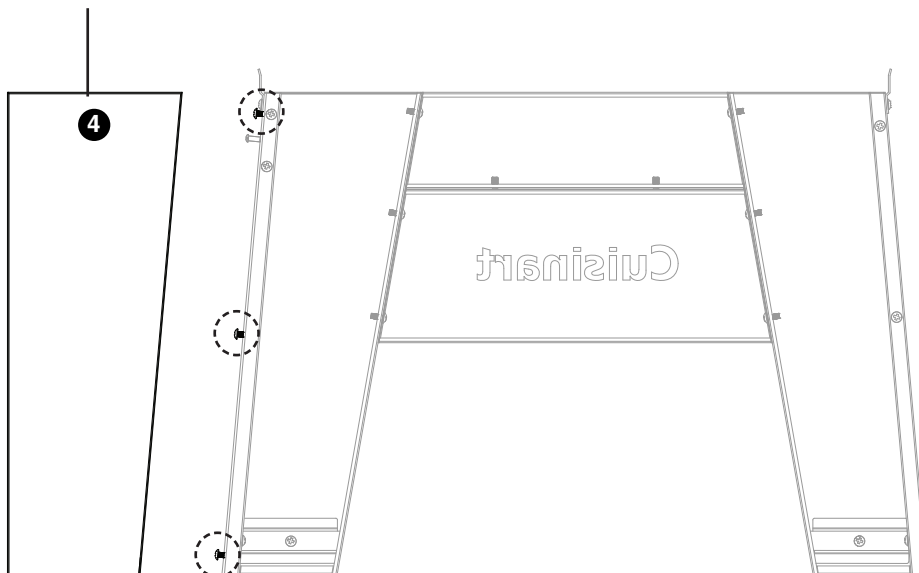
- Loosen 6 screws 3-4 turns on **FRONT LEGS 1** and **3**
- Do not remove screws
- Attach **FRONT PANEL 2** using keyholes
- Tighten 6 screws



NOTE: Before tightening keyhole screws, make sure panels are aligned.

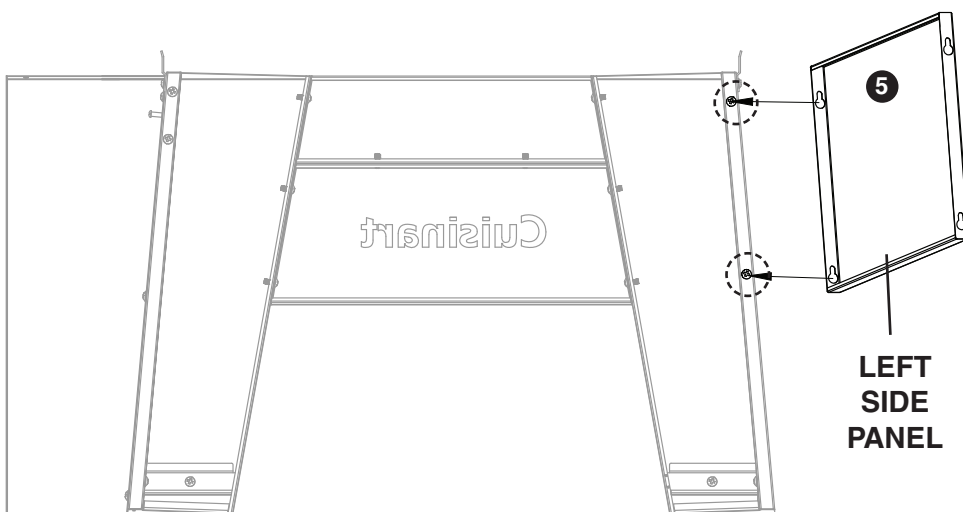
Step 2

RIGHT SIDE
PANEL



- Loosen 3 screws
- Attach **RIGHT SIDE PANEL 4**
- Tighten 3 screws on **RIGHT SIDE PANEL 4**

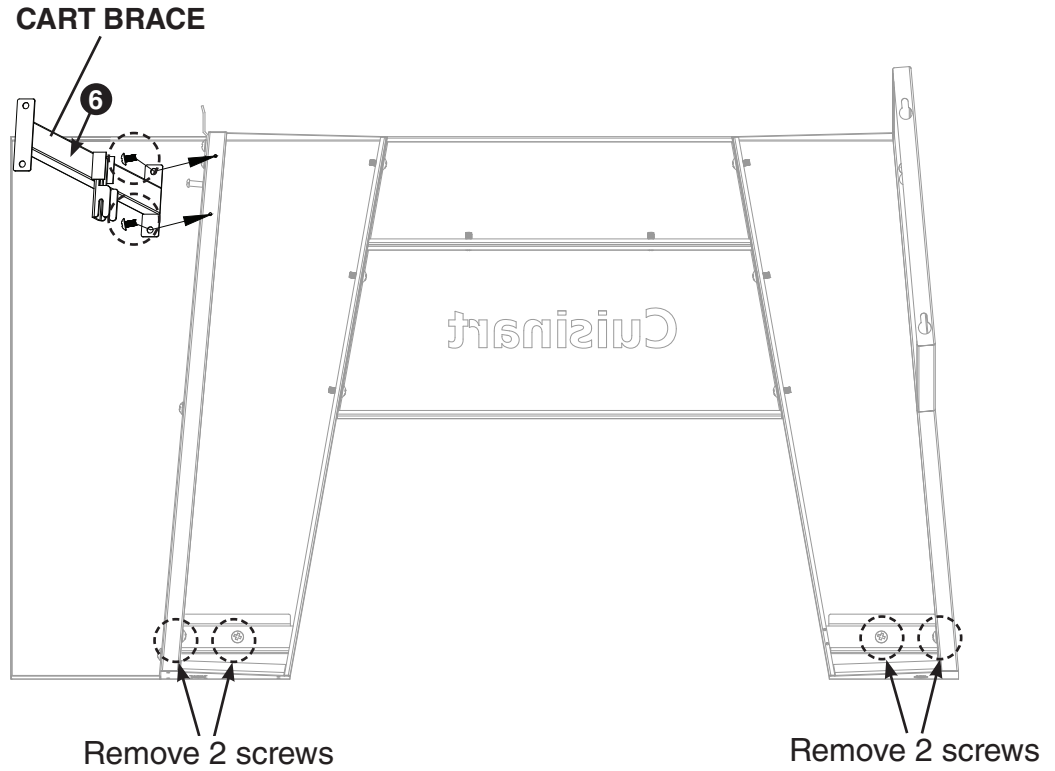
Step 3



- Loosen 2 screws
- Attach **LEFT SIDE PANEL 5**
- Tighten 2 screws on **LEFT SIDE PANEL 5**

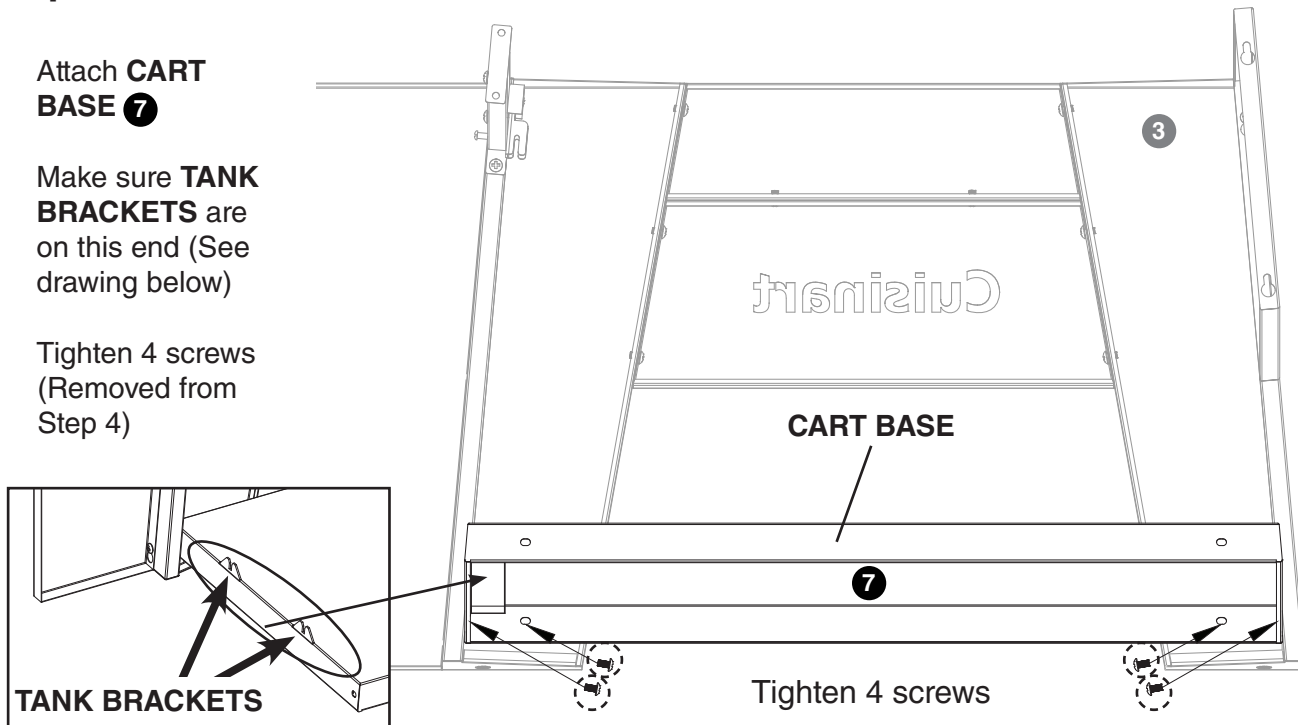
Step 4

- Remove 6 screws
- Attach **CART BRACE 6** (Stored in Grease Tray)
- Tighten two screws on **CART BRACE 6**

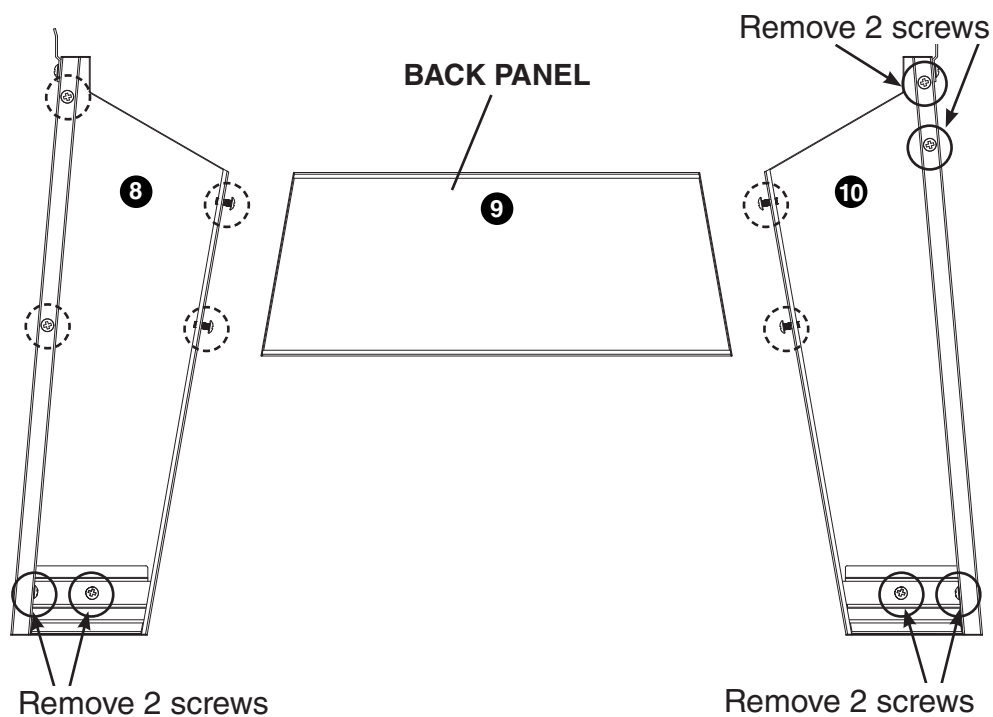


Step 5

- Attach **CART BASE 7**
- Make sure **TANK BRACKETS** are on this end (See drawing below)
- Tighten 4 screws (Removed from Step 4)

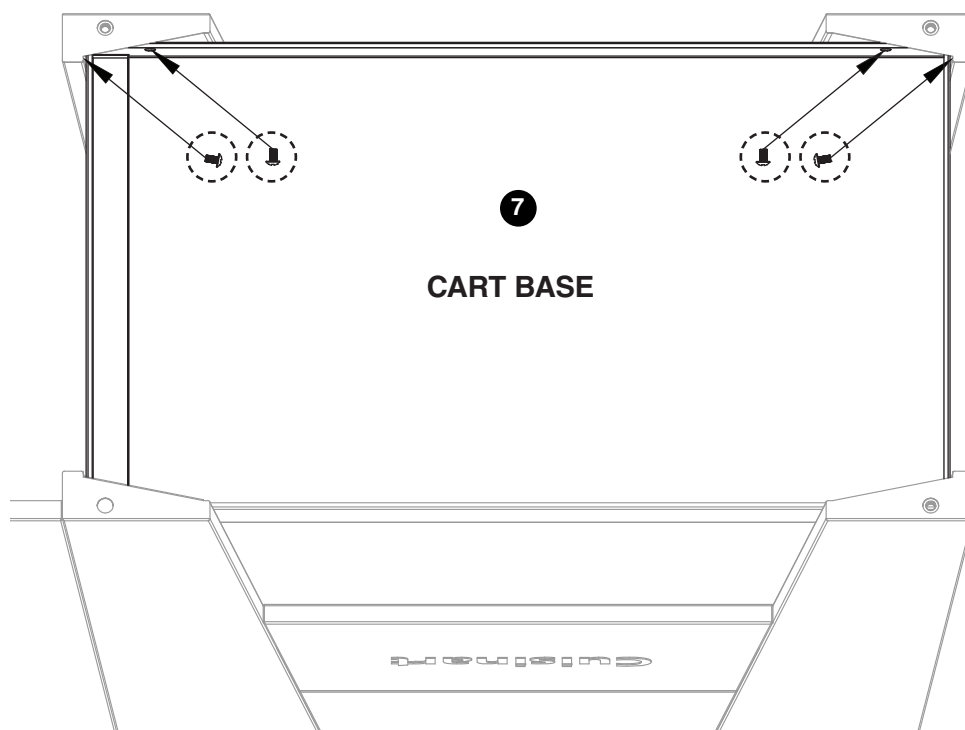


Step 6



- Loosen 6 screws on **REAR LEGS** **8** and **10**
- Attach **BACK PANEL** **9**
- Tighten 4 screws
- Remove 6 screws

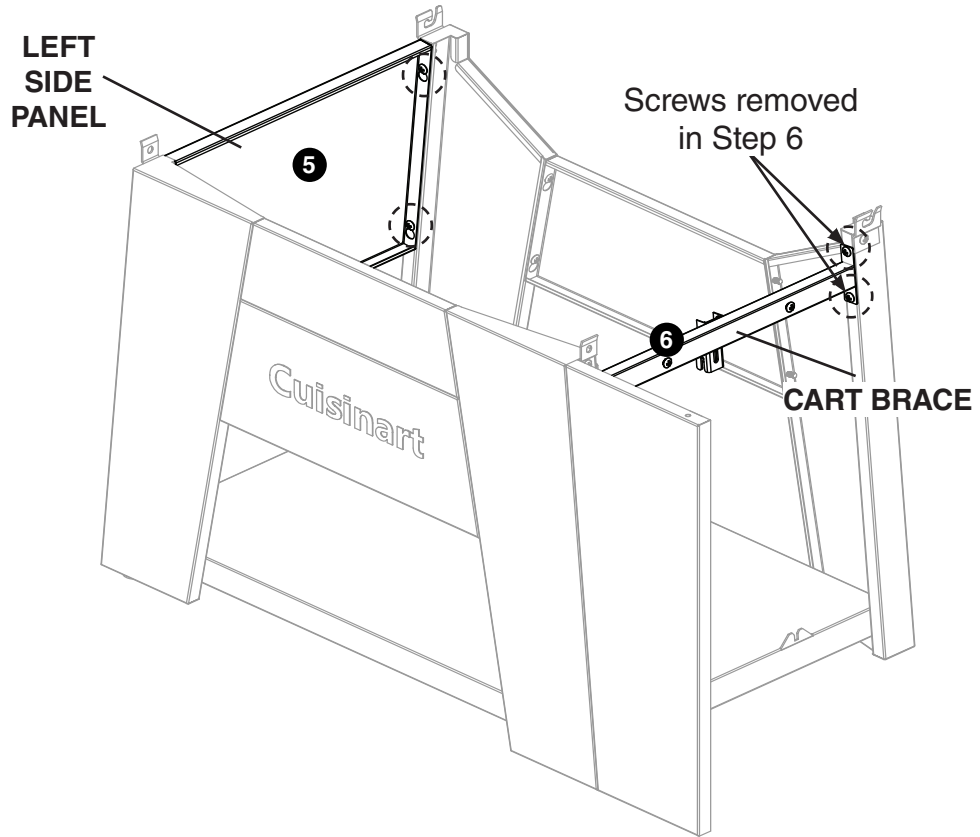
Step 7



- Attach **CART BASE** **7** to rear legs
- Tighten 4 screws (Removed from Step 6)

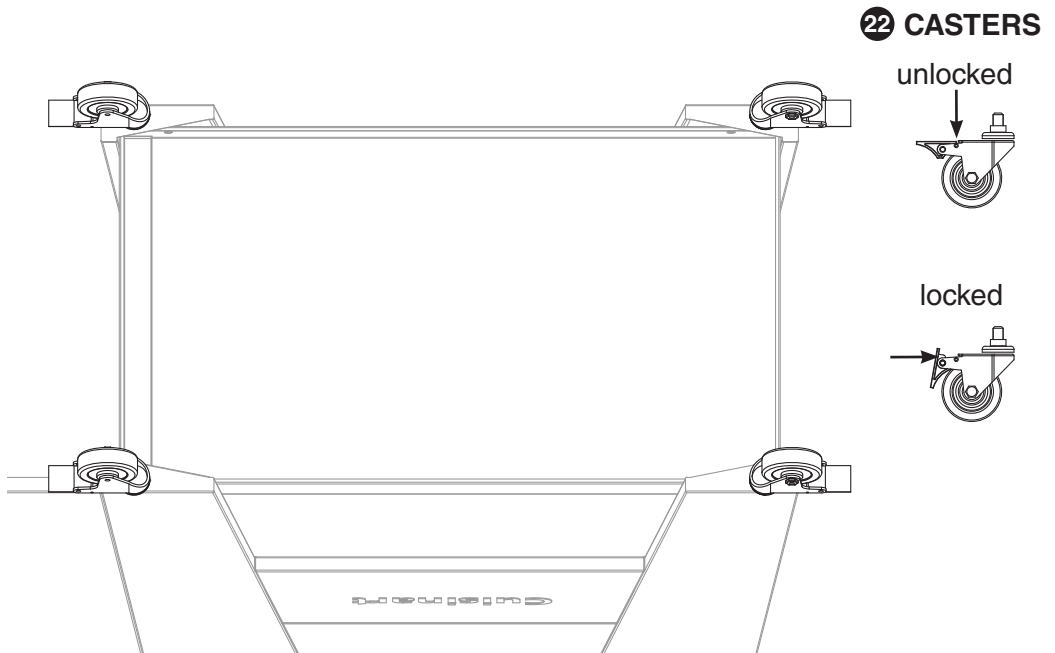
Step 8

- Attach **LEFT SIDE PANEL 5** and **CART BRACE 6**
- Tighten 4 screws



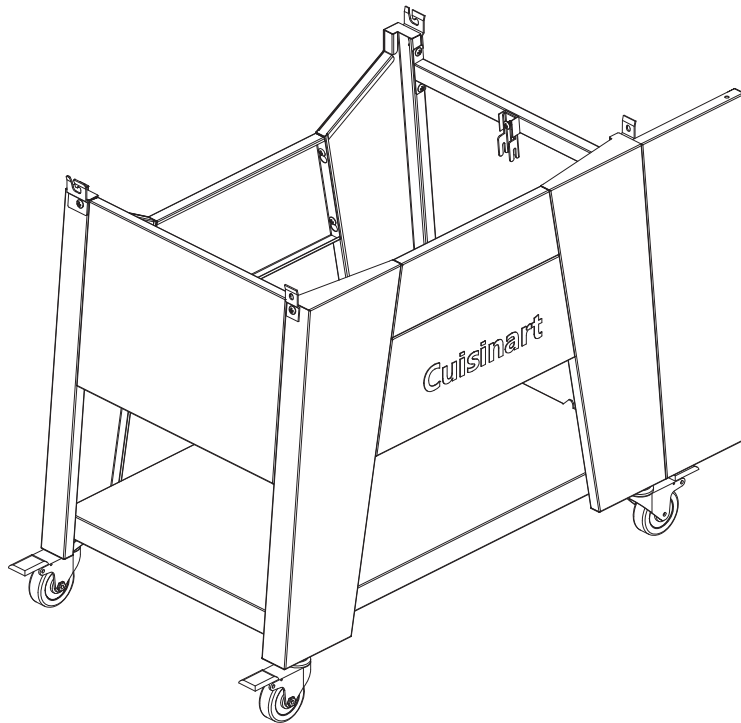
Step 9

- Lock **CASTERS 22**
- Attach **CASTERS 22** to legs



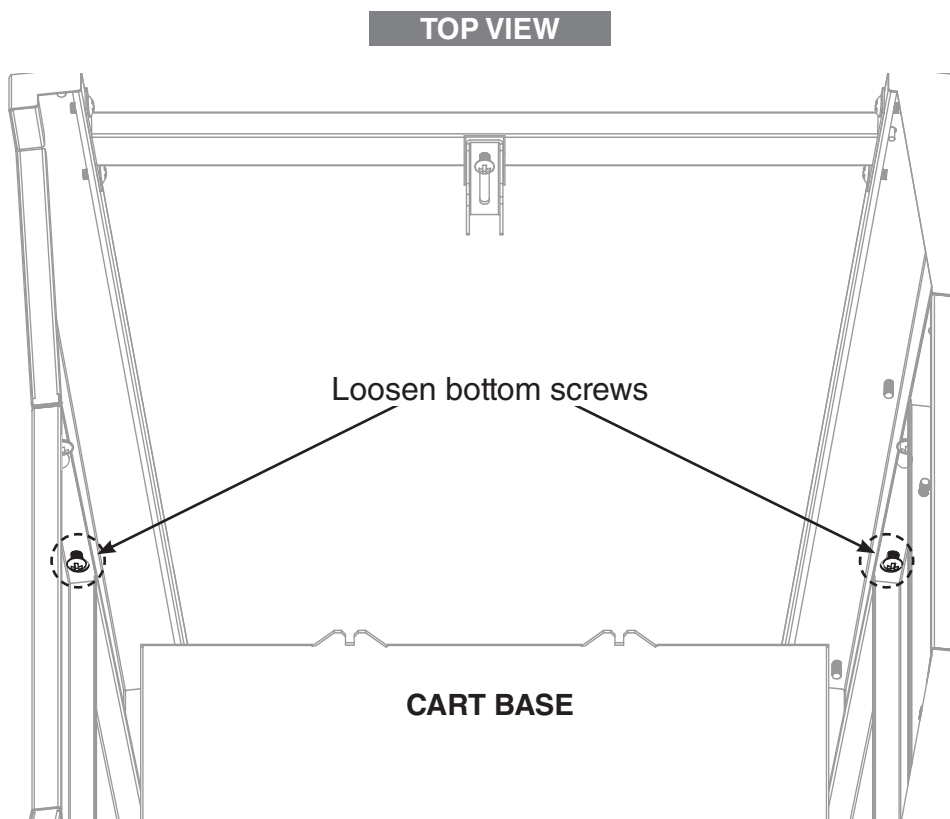
Step 10

- Set cart upright on **CASTERS**



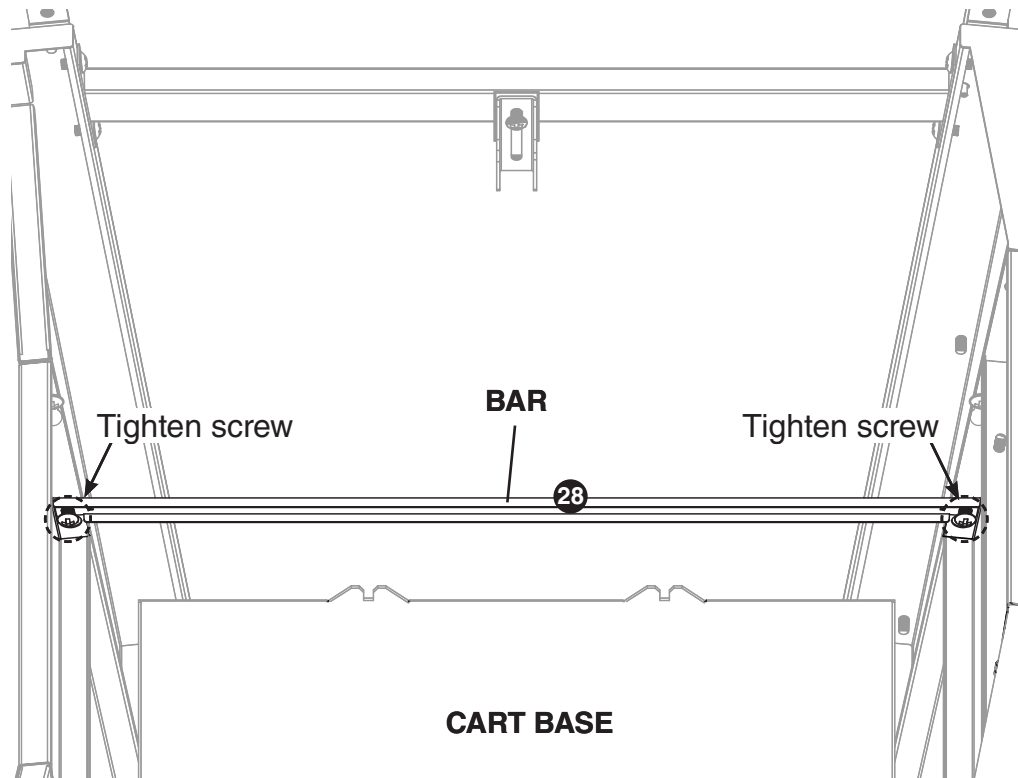
Step 11a

- Loosen 2 bottom screws



Step 11b

- Install **BAR 28**
- Tighten 2 screws

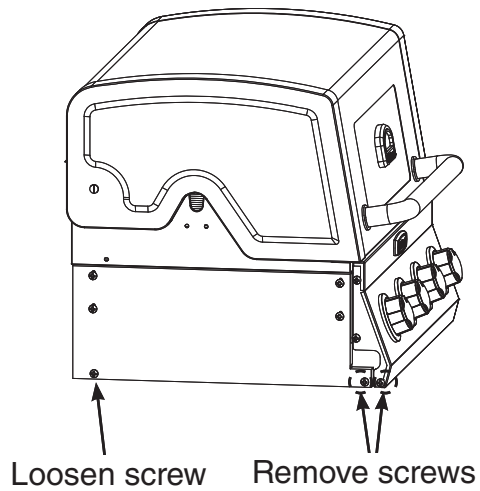


Step 12

LEFT SIDE

LEFT SIDE

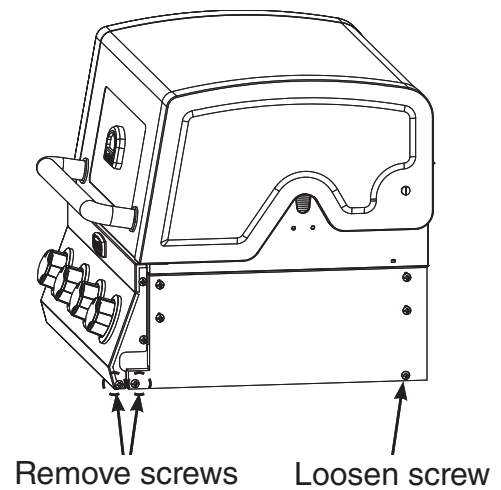
- Loosen screw
- Remove 2 screws



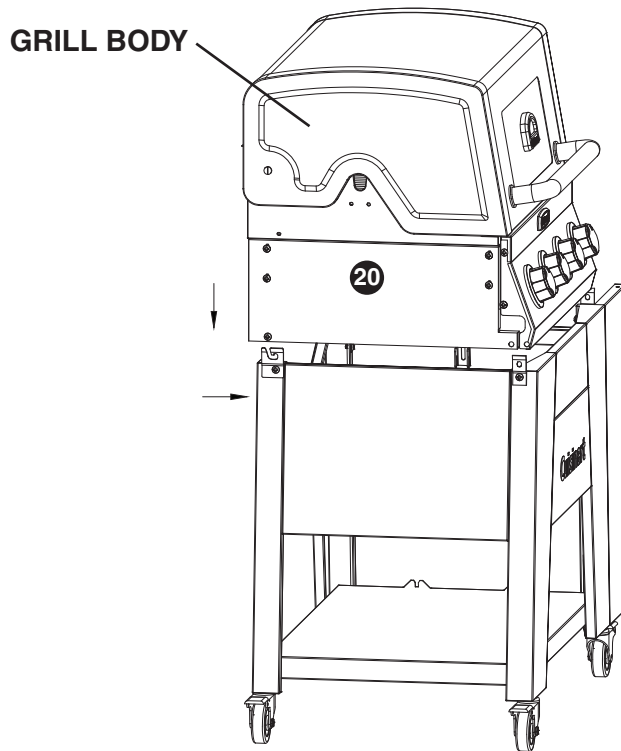
RIGHT SIDE

- Loosen screw
- Remove 2 screws

RIGHT SIDE

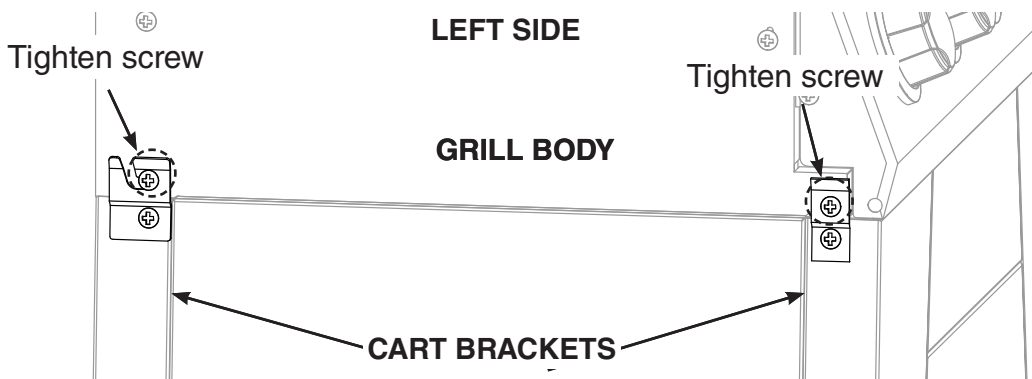


Step 13



- Set **GRILL BODY 20** on cart
- Make sure screw drops into rear cart brackets
- Align **GRILL BODY 20** to front of cart

Step 14

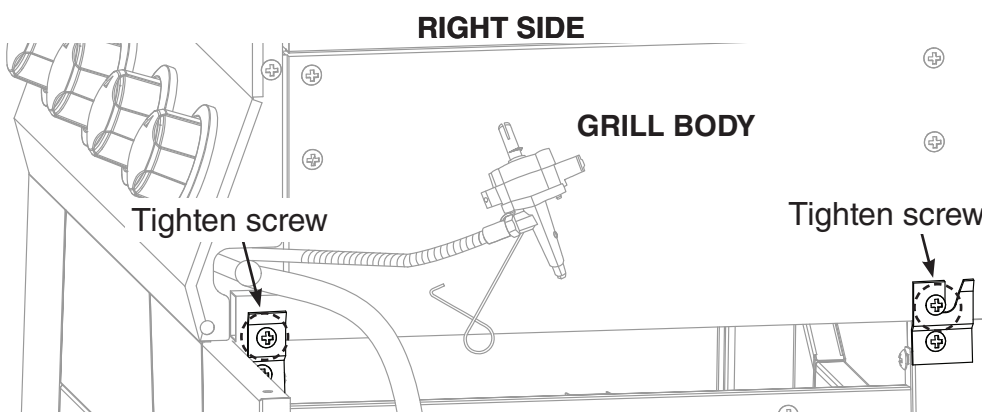


LEFT SIDE

- Tighten 2 screws

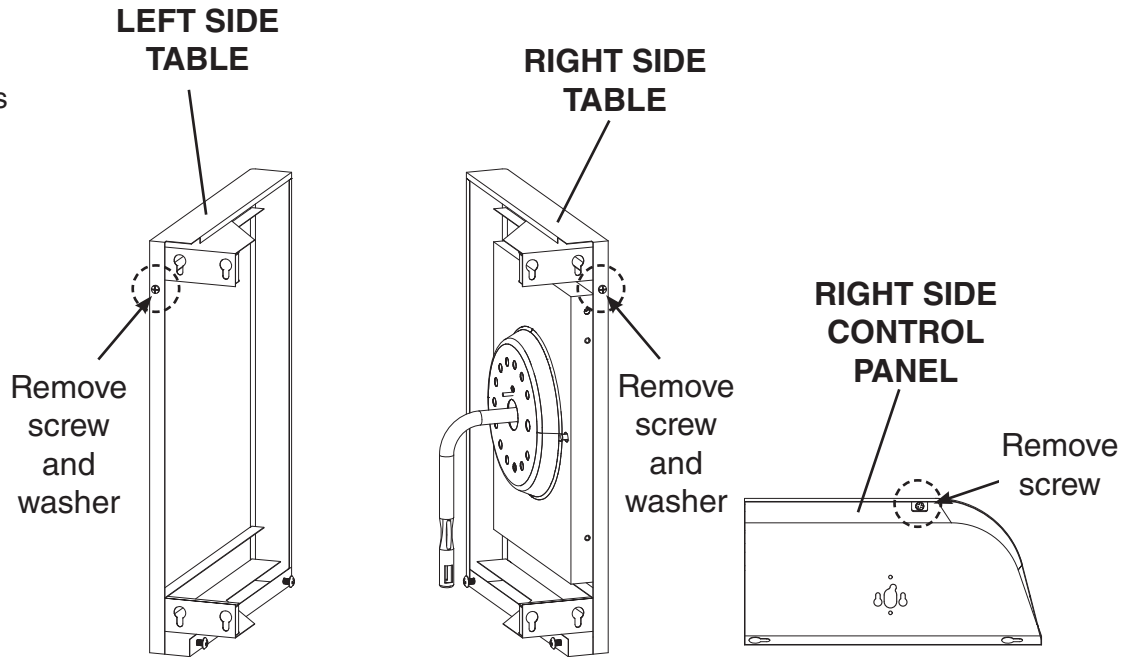
RIGHT SIDE

- Tighten 2 screws



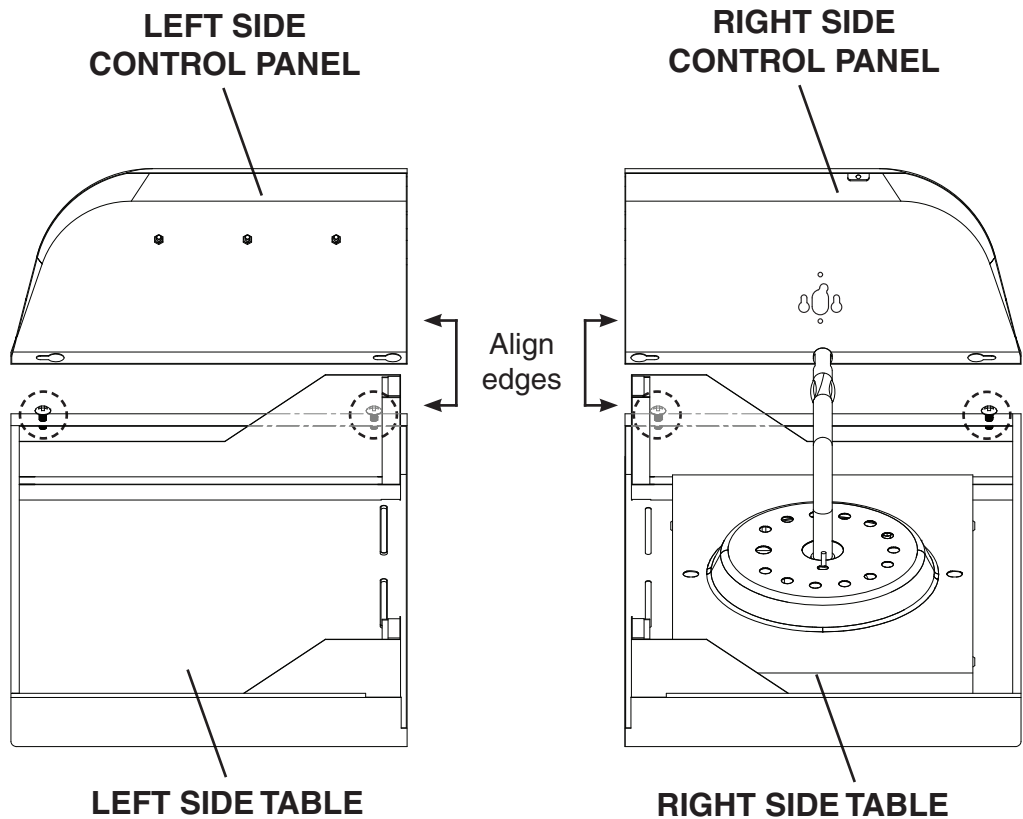
Step 15

- Remove 3 screws and washers

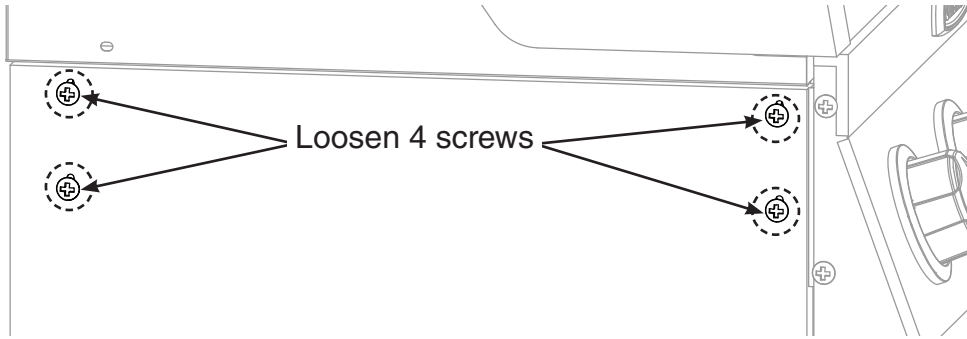


Step 16

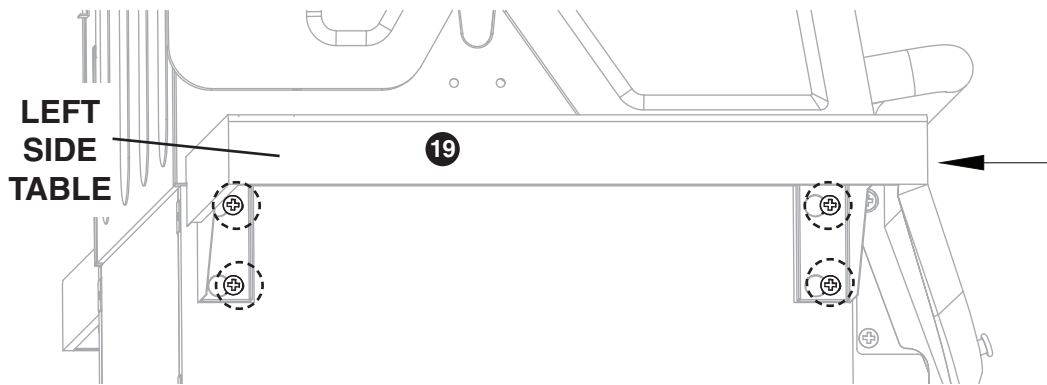
- Loosen 4 screws
- Attach parts and tighten screws



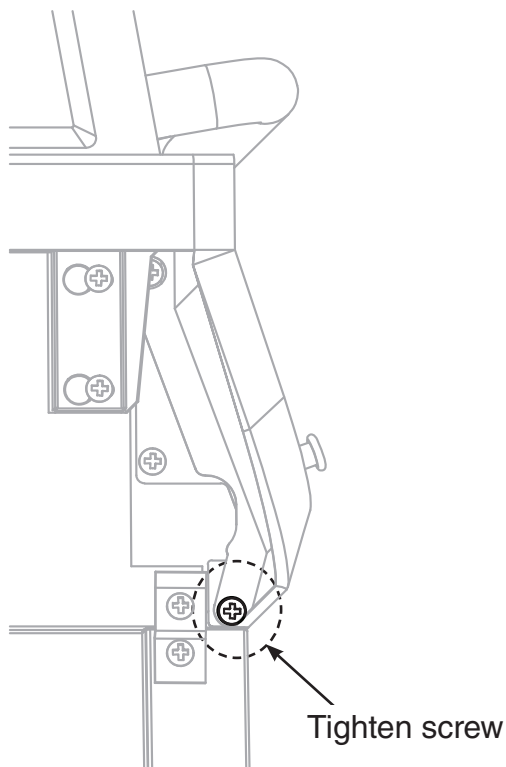
Step 17



- Loosen 4 screws
- Attach **LEFT SIDE TABLE 19** using keyholes
- Do not tighten screws at this point in time



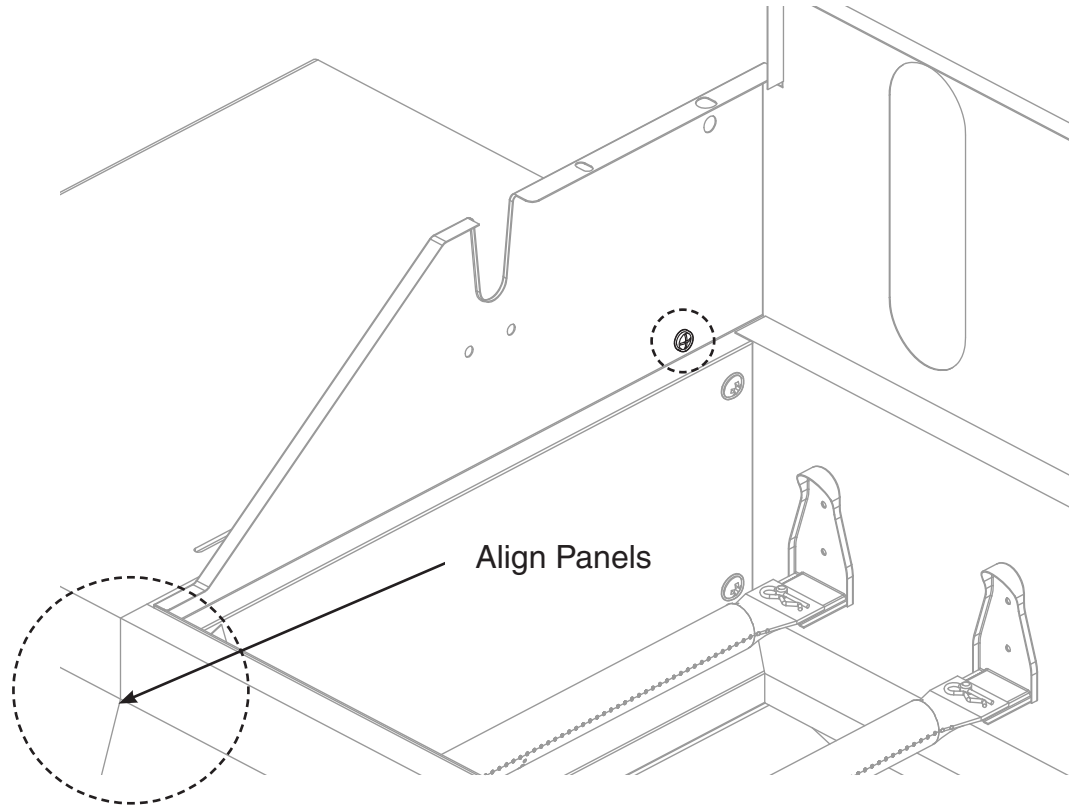
Step 18



- Install screw and tighten (screw was removed in Step 12)

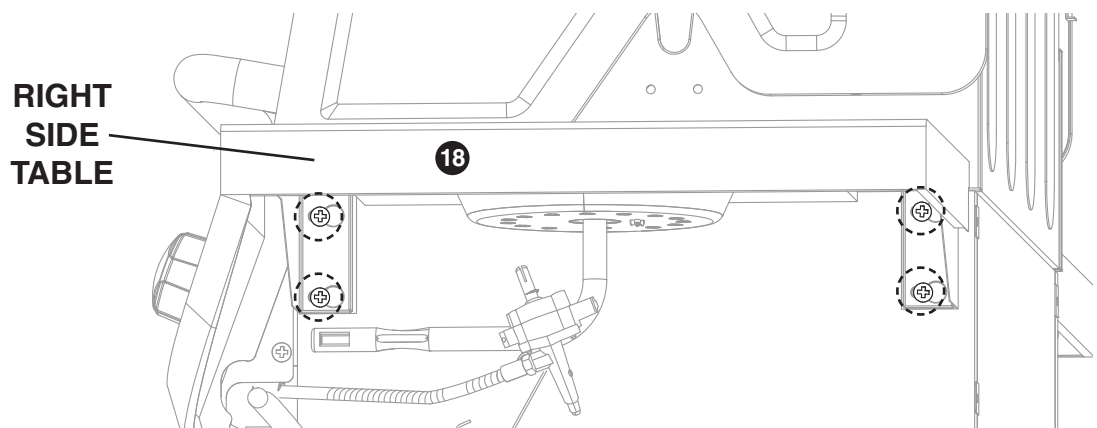
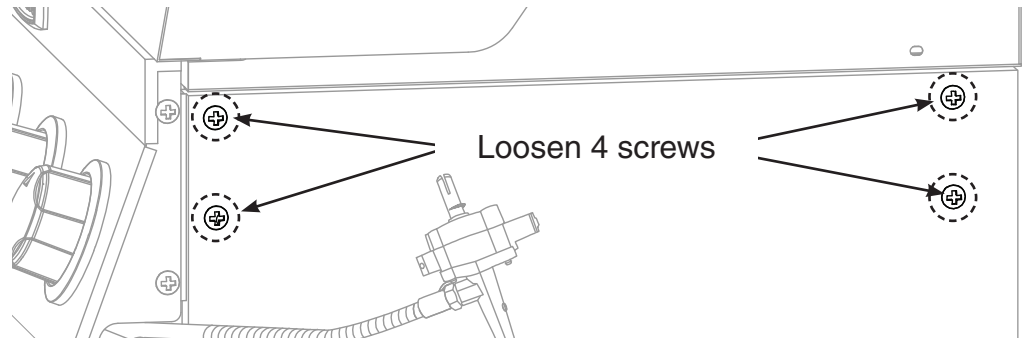
Step 19

- Install screw and washer (screw and washer were removed in Step 15). Do not tighten screw at this time
- Make sure panels are aligned
- Tighten 5 screws from Steps 17 through 19

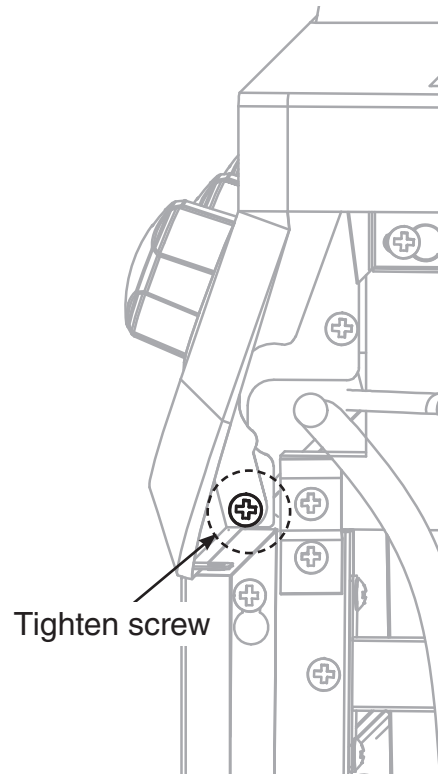


Step 20

- Loosen 4 screws
- Attach **RIGHT SIDE TABLE 18** using keyholes. Do not tighten 4 screws at this time

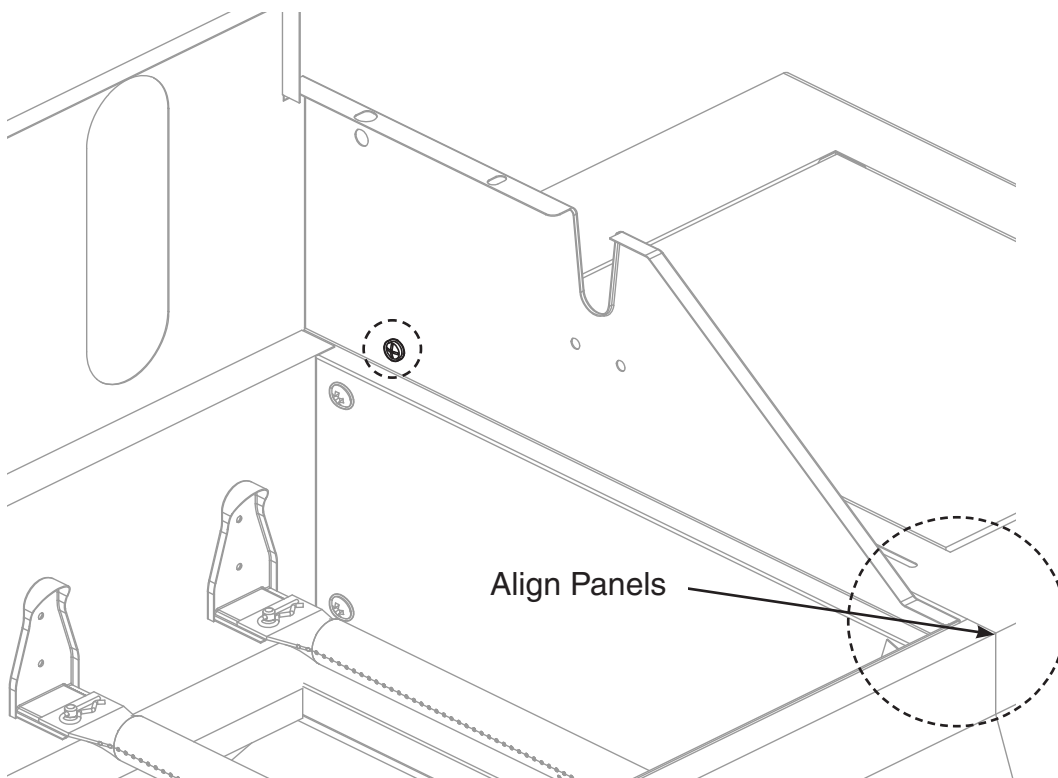


Step 21



- Install screw and tighten (screw was removed in Step 12)

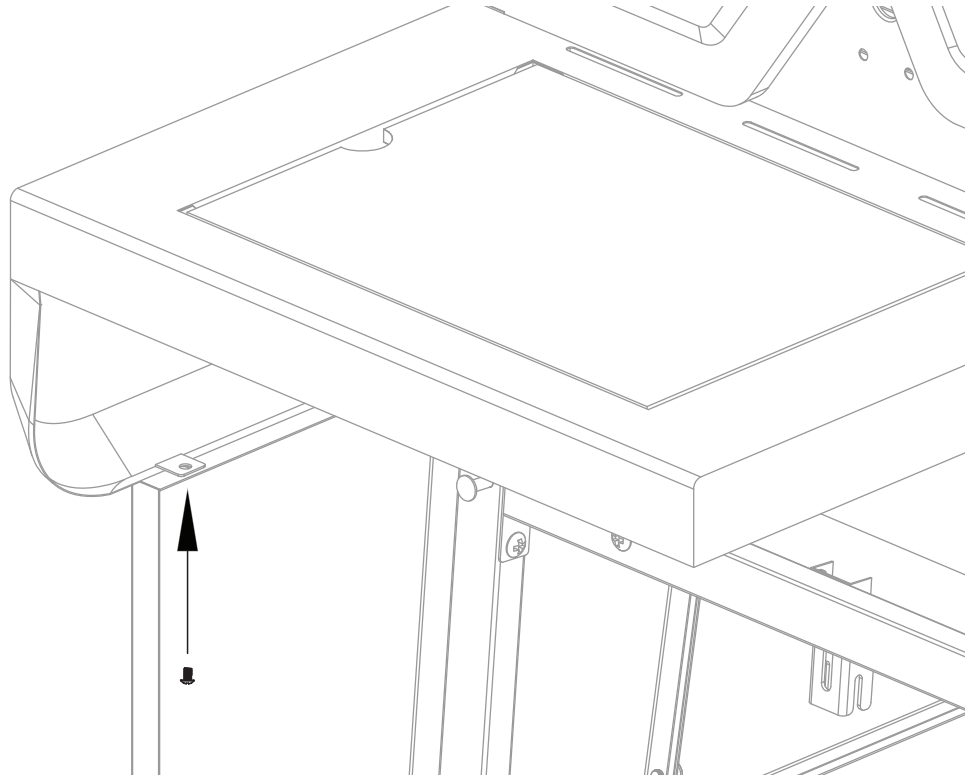
Step 22



- Install screw and washer (screw and washer were removed in Step 15). Do not tighten screw at this time
- Make sure panels are aligned and tighten 5 screws from Steps 20 through 22

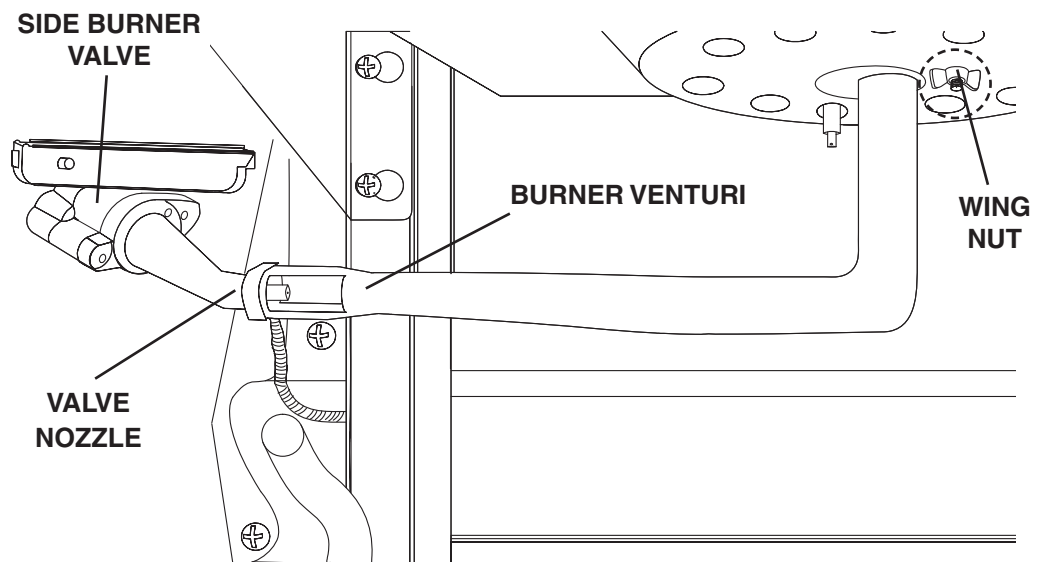
Step 23

- Install screw (removed in Step 15)



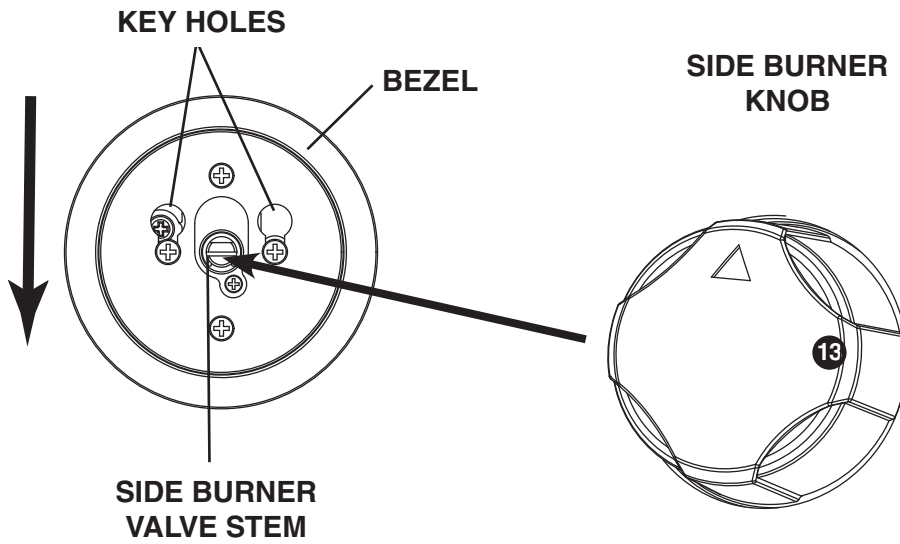
Step 24a

- Remove **WING NUT** and remove burner. Install **SIDE BURNER VALVE** in control panel
- Slide valve downward and tighten 2 screws to lock into place (see diagram Step 24b)
- Install burner and make sure **BURNER VENTURI** fits over **VALVE NOZZLE**
- Tighten **WING NUT**



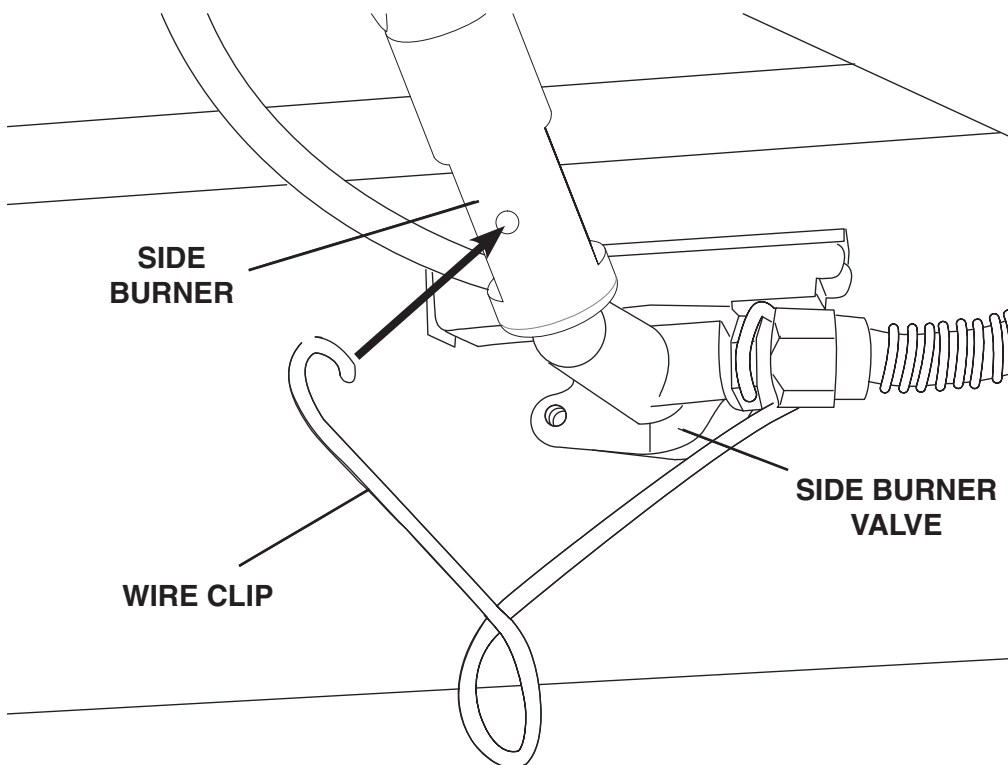
Step 24b

- Install **SIDE BURNER KNOB 13**

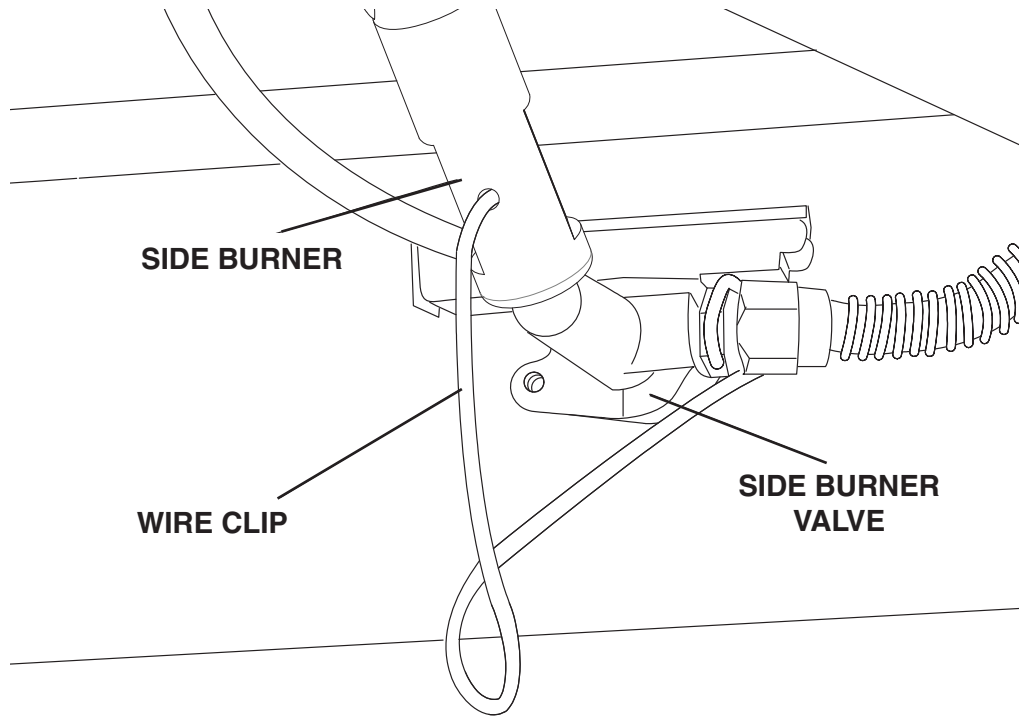


Step 25a

- Attach **WIRE CLIP** to side burner

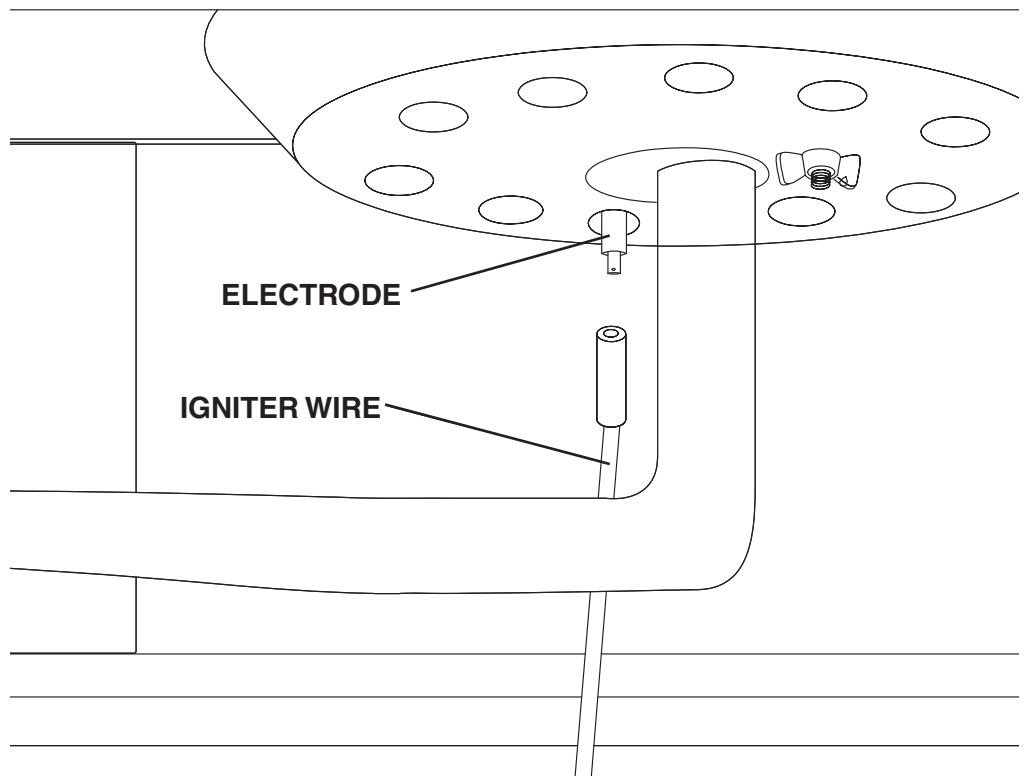


Step 25b



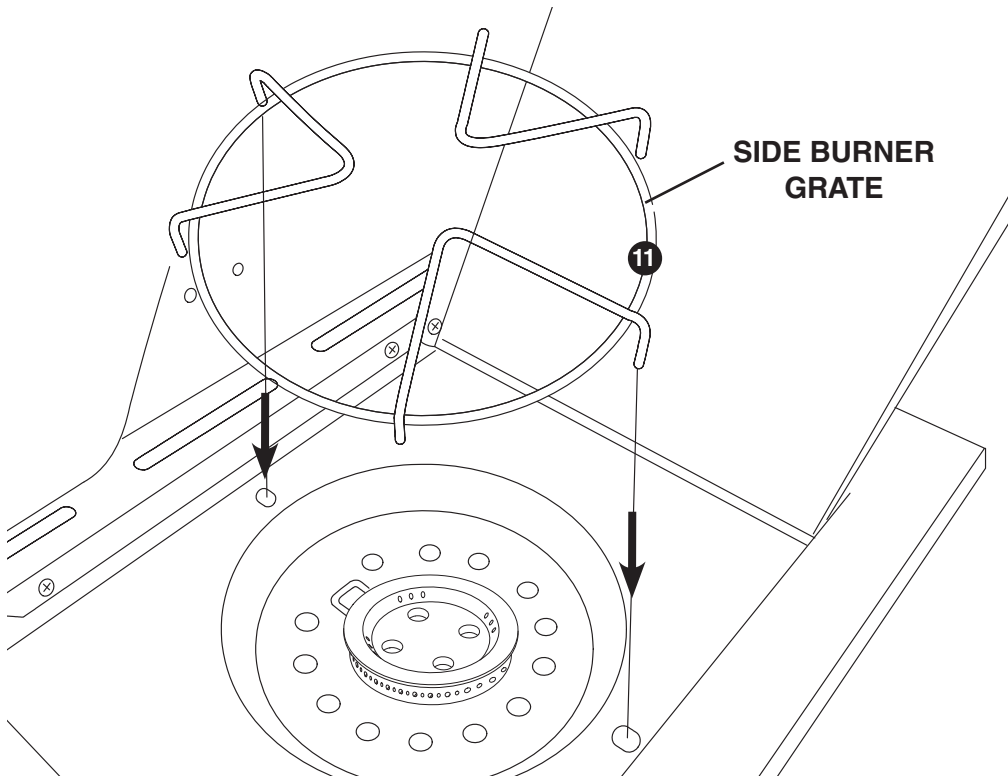
Step 26

- Attach **IGNITOR WIRE** to **ELECTRODE**



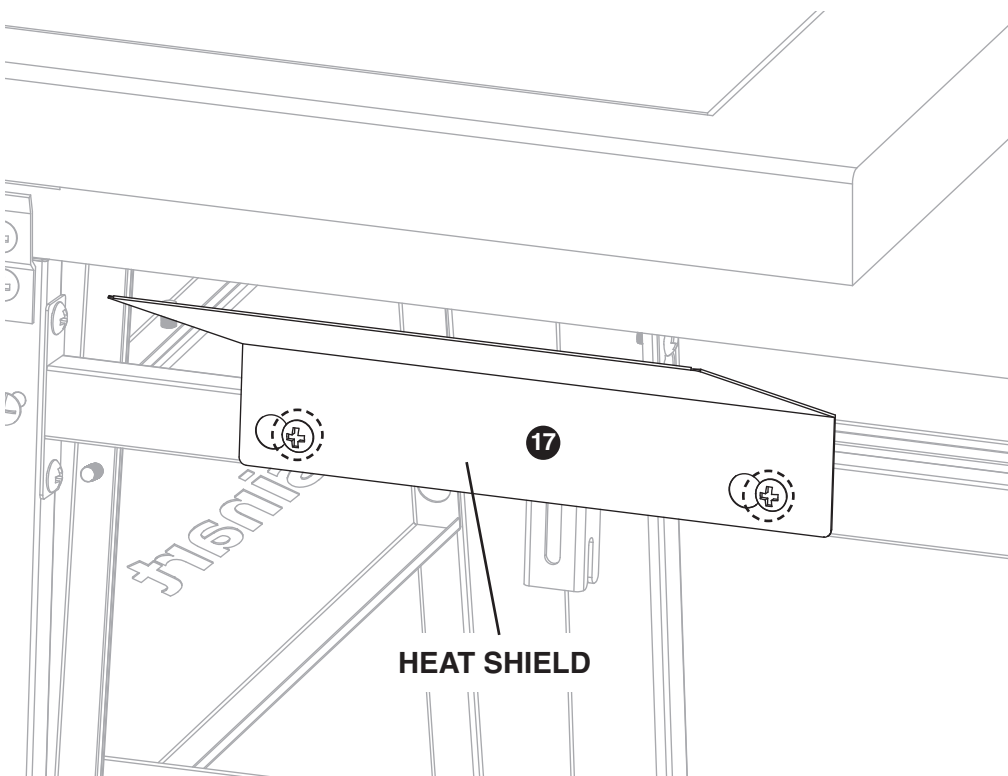
Step 27

- Install **SIDE BURNER GRATE 11**



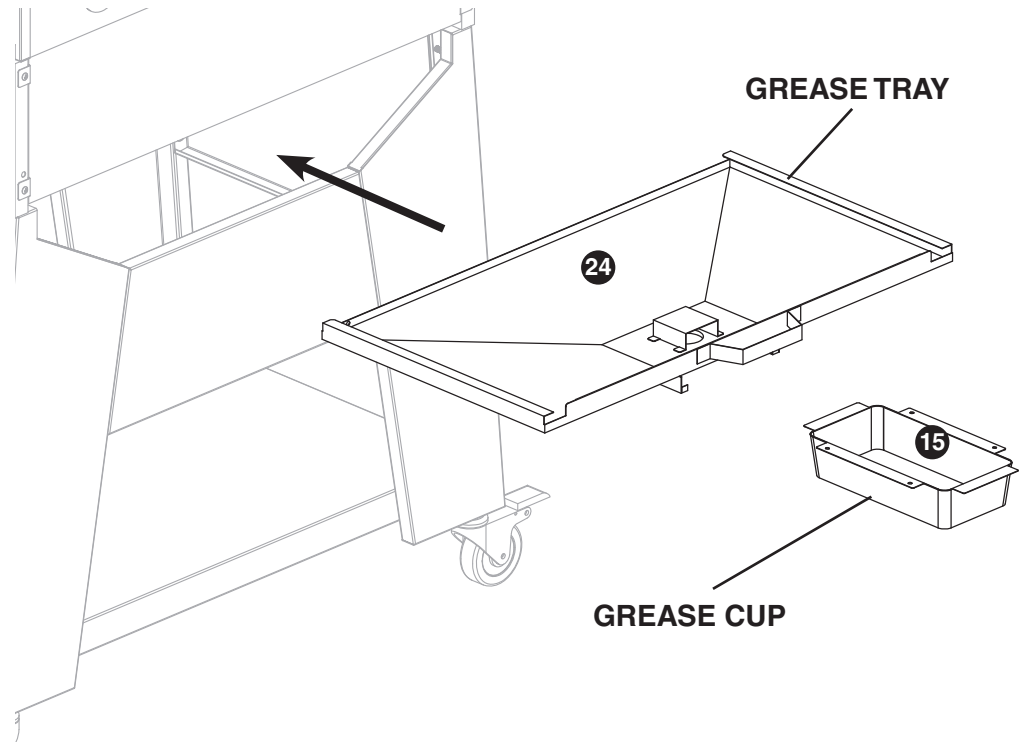
Step 28

- Loosen 2 screws
- Attach **HEAT SHIELD 17** and tighten screws



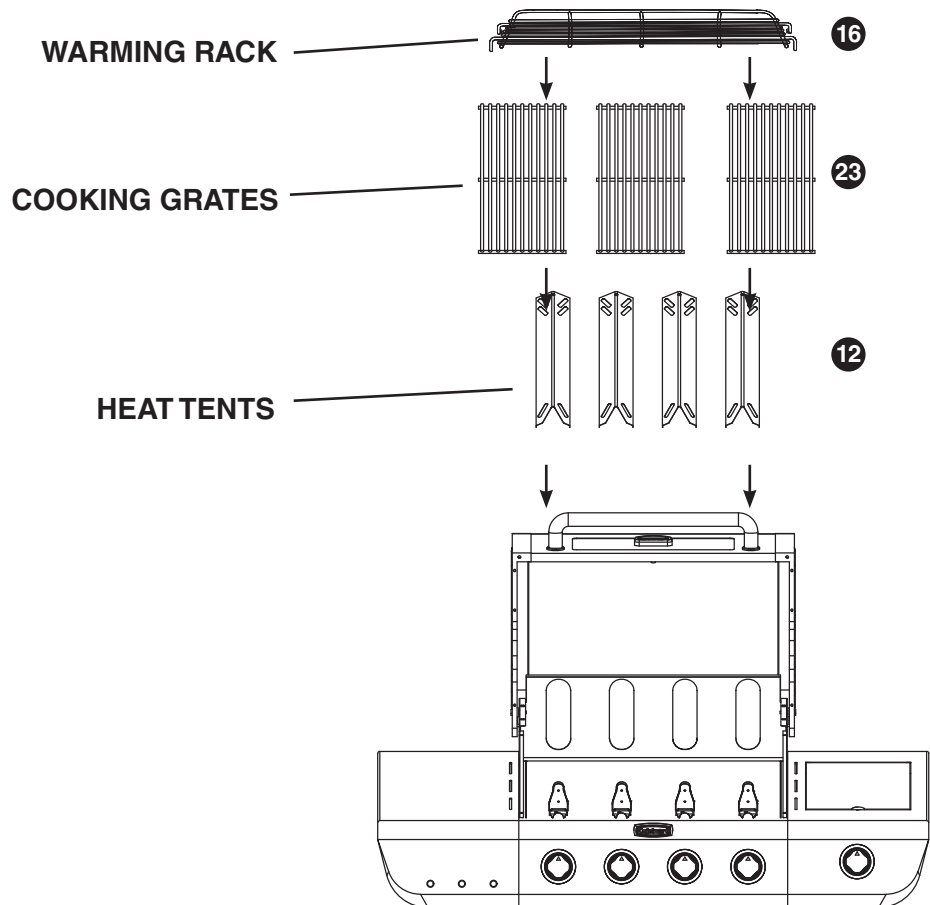
Step 29

- Install **GREASE TRAY** 24 and **GREASE CUP** 15 through back of grill



Step 30

- Install **HEAT TENTS** 12, **COOKING GRATES** 23 and **WARMING RACK** 16



Model GAS9456F Assembled

