

# Even Embers®

## 3 Burner Gas Grill Parrilla de Gas 3 Quemadores

### OWNER'S MANUAL/MANUAL DEL PROPIETARIO ASSEMBLY AND OPERATING INSTRUCTIONS INSTRUCCIONES DE ARMADO Y OPERACIÓN

**SAVE THIS MANUAL FOR FUTURE REFERENCE  
GUARDE ESTE MANUAL PARA REFERENCIA FUTURA**

**Model/Modelo GAS8330AS**

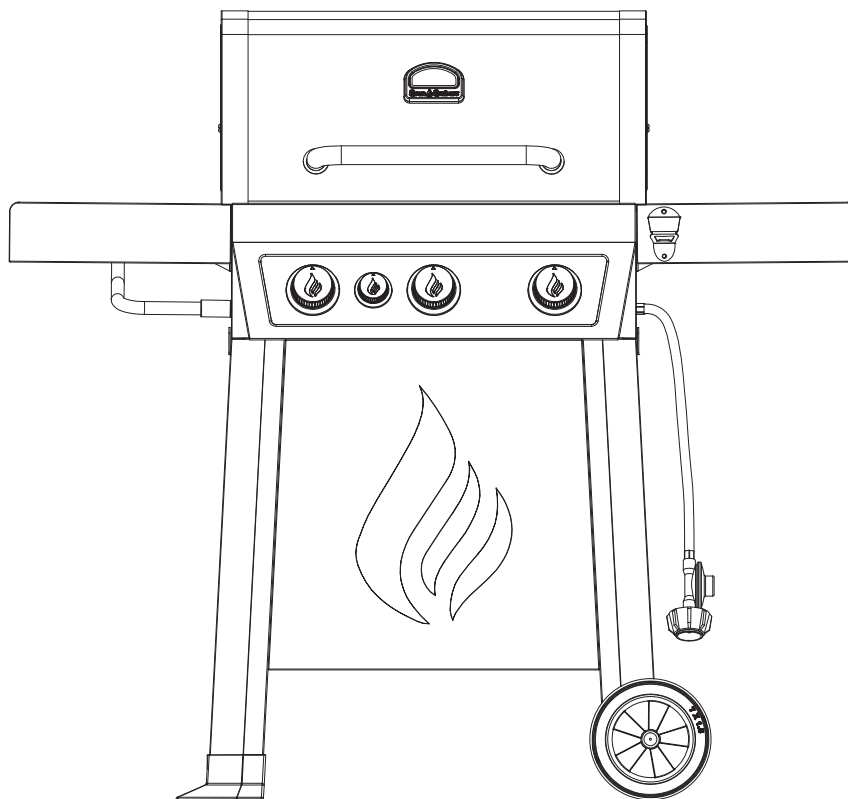
**NOTICE TO INSTALLER:  
LEAVE THESE INSTRUCTIONS WITH  
THE GRILL OWNER FOR FUTURE  
REFERENCE.**

**AVISO PARA EL INSTALADOR:  
ENTREGUE ESTAS INSTRUCCIONES AL  
PROPIETARIO DE LA PARRILLA PARA  
REFERENCIA FUTURA.**


#### **⚠ WARNING/ADVERTENCIA**

HAZARDOUS EXPLOSION MAY RESULT IF THESE WARNINGS AND INSTRUCTIONS ARE IGNORED. READ AND FOLLOW ALL WARNINGS AND INSTRUCTIONS IN THIS MANUAL TO AVOID PERSONAL INJURY, INCLUDING DEATH OR PROPERTY DAMAGE.

SE PUEDE PRODUCIR UNA EXPLOSIÓN PELIGROSA SI SE HACE CASO OMISO A ESTAS ADVERTENCIAS E INSTRUCCIONES. LEA Y SIGA TODAS LAS ADVERTENCIAS E INSTRUCCIONES EN ESTE MANUAL PARA EVITAR LESIONES PERSONALES, INCLUSO LA MUERTE, O LOS DAÑOS MATERIALES.



# **IMPORTANT SAFETY WARNINGS**

WE WANT YOU TO ASSEMBLE AND USE YOUR GRILL AS SAFELY AS POSSIBLE. THE PURPOSE OF THIS SAFETY ALERT SYMBOL  IS TO ATTRACT YOUR ATTENTION TO POSSIBLE HAZARDS AS YOU ASSEMBLE AND USE YOUR GRILL.

WHEN YOU SEE THE SAFETY ALERT SYMBOL  PAY CLOSE ATTENTION TO THE INFORMATION WHICH FOLLOWS!

 **READ ALL SAFETY WARNINGS AND INSTRUCTIONS CAREFULLY BEFORE ASSEMBLING AND OPERATING YOUR GRILL.**

## **DANGER**

IF YOU SMELL GAS:

1. Shut off gas to the appliance.
2. Extinguish any open flame.
3. Open lid.
4. If odor continues, keep away from the appliance and immediately call your gas supplier or your fire department.

## **WARNING**

1. Do not store or use gasoline or other flammable liquids or vapors in the vicinity of this or any other appliance.
2. An LP cylinder not connected for use shall not be stored in the vicinity of this or any other appliance.

## **DANGER**



- a) Do not store a spare LP cylinder under or near this appliance.
- b) Never fill the cylinder beyond 80% full.
- c) If the information in (a) and (b) is not followed exactly, a fire causing death or serious injury may occur.

# TABLE OF CONTENTS:

|  |            |
|--|------------|
| General Warnings . . . . .                                       | 3-4        |
| LP Gas Cylinder (Tank) Specifications and Installation . . . . . | 4-6        |
| Hose & Regulator Specifications and Installation . . . . .       | 6-7        |
| Leak Testing . . . . .   | 7-8        |
| Pre-start Check List . . . . .                                   | 9          |
| Lighting Instructions . . . . .                                  | 9-10       |
| Operating the Grill . . . . .                                    | 11-12      |
| Using Other Features of the Grill . . . . .                      | 12         |
| Proper Care and Maintenance . . . . .                            | 13-14      |
| Transporting and Storage . . . . .                               | 15         |
| Trouble Shooting . . . . .                                       | 16-17      |
| Grill Cooking Tips . . . . .                                     | 17         |
| Assembly Instructions . . . . .                                  | 18-30      |
| Warranty Information . . . . .                                   | Back Cover |

**⚠ DANGER:** Indicates an imminently hazardous situation which, if not avoided, will result in death or serious injury.

**⚠ WARNING:** Be alert to the possibility of serious bodily injury if the instructions are not followed. Be sure to read and carefully follow all of the messages.

**⚠ CAUTION:** Indicates a potentially hazardous situation which, if not avoided, may result in minor or moderate injury.

## CALIFORNIA PROPOSITION 65 WARNING

This product contains chemicals, and when used, produces chemicals, known to the State of California to cause cancer, and birth defects or other reproductive harm.

**WARNING!** CONTAINS LEAD. MAY BE HARMFUL IF EATEN OF CHEWED. MAY GENERATE DUST CONTAINING LEAD. COMPLIES WITH FEDERAL STANDARDS. KEEP OUT OF THE REACH OF CHILDREN.

# GENERAL WARNINGS:

## ⚠ WARNING

- Leak test all connections before first use, even if grill was purchased fully assembled and after each tank refill. Check the propane tank rubber seal for damage.
- Always check the grill and propane tank prior to each use as indicated in the “Checking for Leaks” & “Pre-Start Check List” sections of this manual.
- Never use natural gas in a unit designed for liquid propane gas.
- Flavoring chips must be contained in a metal smoking box to contain ash and prevent fires.
- Ensure flames come out of all burner ports at each use. Spiders and insects like to build nests in burner tubes. Blocked burner tubes can prevent gas flow to the burners and could result in a burner tube fire or fire beneath the grill.
- Never check for leaks using a match or open flame.
- Never use or store gasoline, lighter fluid, paint thinner, or other flammable vapors and liquids or combustible materials in or near your grill.
- DO NOT block ventilation areas in sides, back or cart compartment of grill.
- DO NOT cover cooking grates or other components with aluminum foil, as this blocks ventilation and damage to grill or personal injury may occur.
- Never place more than 15 pounds on the side tables. DO NOT lean on the side tables. DO NOT lift grill using side tables.
- Keep children and pets away from hot grill. DO NOT allow children to use or play near this grill.
- DO NOT leave the grill unattended while ON or in use.
- DO NOT allow the gas hose to come in contact with hot surfaces. Redirect the gas hose if necessary.
- DO NOT allow grease or hot drippings to fall on hose and regulator assembly. If this occurs, turn gas supply OFF at once. Empty grease tray/cup and clean the hose and regulator assembly and inspect for damage before use.
- Never cook on the grill without the grease cup/tray in position.
- Keep any electrical supply cords away from water or heated surfaces.
- DO NOT use water on a grease fire. Closing the lid to extinguish a grease fire is not possible. Use type BC dry chemical fire extinguisher or smother with dirt, sand or baking soda.
- DO NOT use while under the influence of drugs or alcohol.
- FOR OUTDOOR USE ONLY. DO NOT operate indoors or in an enclosed area such as a building, garage, shed or breezeway.
- Position your grill outdoors on a non-combustible level surface in a well ventilated location, a safe distance 10 ft. (3.1 m) from combustible materials, buildings and overhangs.
- Apartment dwellers: Check with management and follow the requirements and fire codes for using an LP gas grill in your apartment complex. Only use outside on the ground (not on a balcony, patio, garage, etc) with a 15 foot (4.6 m) minimum clearance on back and all sides from any wall, structure or combustible material.
- Maintain a minimum clearance of 36 inches (91 cm) between all sides of grill, deck railings, walls or other combustible material. Not adhering to these clearances may prevent proper ventilation and can increase the risk of a fire and/or property damage, which could also result in personal injury. DO NOT use grill under overhead combustible construction.
- DO NOT use or install this grill in or on a recreational vehicle and/or boat.
- DO NOT build this model grill in any built-in or slide in construction.
- If a bristle brush is used to clean any of the cooking surfaces, ensure no loose bristles remain on the cooking surfaces prior to grilling as loose bristles may attach to food.
- DO NOT store items in cart that can catch fire or damage your grill (such as swimming pool supplies/chemicals, table cloth, wood chips).

- Grill is hot when in use. To avoid burns:
  - DO NOT attempt to move the grill.
  - Block the wheels so the unit does not accidentally move.
  - Wear protective gloves or oven mitts.
  - DO NOT touch any hot grill surfaces.
  - DO NOT wear loose clothing or allow hair to come in contact with grill.
- Not for commercial use. DO NOT use this grill for anything other than its intended purpose.

**⚠ USE CAUTION AND COMMON SENSE WHEN OPERATING YOUR GAS GRILL.**

**FAILURE TO ADHERE TO THE SAFETY WARNINGS AND GUIDELINES IN THIS MANUAL  
COULD RESULT IN SEVERE BODILY INJURY OR PROPERTY DAMAGE.  
SAVE THIS MANUAL FOR FUTURE REFERENCE.**

## **LP GAS CYLINDER (TANK) SPECIFICATIONS AND INSTALLATION:**

### **⚠ WARNING**

- ONLY connect this grill to a Type 1 cylinder valve. The Type 1 valve can be identified with the large external threads on the valve outlet.
- DO NOT connect to a propane cylinder exceeding a 20 lb. (9.1 kg) capacity.
- DO NOT connect to a cylinder that uses any other type of valve connection device.
- Inspect the propane tank valve rubber seal for cracks, wear or deterioration prior to use. A damaged rubber seal can cause a gas leak, possibly resulting in an explosion, fire or severe bodily harm.
- Turn off the cylinder valve when your grill is not in use.
- Handle the tank with care.
- Always secure the cylinder in an upright position.
- Never connect an unregulated LP gas cylinder to your grill.
- DO NOT expose LP gas cylinders to excessive heat or ignition sources.
- DO NOT store a spare LP gas cylinder under or near your grill.
- Allow only qualified LP gas dealers to fill or repair your LP gas cylinder.
- DO NOT allow the cylinder to be filled beyond 80% capacity.
- Read and follow all warnings and instructions that are on the cylinder and that accompany this product.

### **⚠ DANGER**

- DO NOT store a spare LP gas cylinder (full or empty) under or near your grill. This could cause excess pressure to be expelled through the vapor relief valve resulting in fire, explosion, or severe personal injury, including death.
- Propane gas is heavier than air and will collect in low areas. Proper ventilation is extremely important. Keep the ventilation opening(s) of the LP gas cylinder enclosure free and clear from obstructions and debris.
- DO NOT insert any foreign objects into the cylinder valve outlet as this could damage the rubber seal. Do not use propane tank with a damaged rubber seal. A damaged rubber seal can cause a gas leak, possibly resulting in explosion, fire, severe bodily harm, or death. Inspect rubber seal for cracks, wear or deterioration prior to use.
- Always keep cylinder (tank) in upright position during use, transit or storage.

## LP GAS CYLINDER (TANK) SPECIFICATIONS:

### LP gas cylinder (not supplied with this grill)

The LP (Liquid Propane) gas cylinder specifically designed to be used with this grill must be 12" (30.5 cm) diameter x 18" (45.7 cm) tall and have a 20 lb. (9.1 kg) capacity incorporating a Type 1 cylinder valve and an over-filling protection device (OPD).

This grill is designed to fit Worthington, Manchester or SMPC brand 20 lb. (9.1 kg) cylinders. Other brand DOT cylinders may fit this grill if the cylinder has similar dimensions of the top and bottom rings.

The installation of this appliance must be in accordance with:

All applicable local codes, or in the absence of local codes, either:

- National Fuel Gas Code ANSI Z223.1 NFPA 54
- Natural Gas and Propane Installation Code: CAN/CGA B149.1
- Natural Gas Installation Code: CAN/CGA B149.1 (Canada)
- Propane Installation Code: CAN/CGA B149.2 (Canada)

To check your local codes, see your local LP gas dealer or natural gas company. This grill was not intended to be connected to a natural gas supply line. If an external electrical source is utilized, it must be electrically grounded in accordance with local codes, or in the absence of local codes, with the National Electrical Code, ANSI/NFPA 70, or the Canadian Electrical Code, CSA 22.1.

When purchasing or exchanging a cylinder for your gas grill, it must be constructed and marked in accordance with the specifications for LP gas cylinders of the U.S. Department of Transportation (DOT) or the National Standard of Canada, CAN/CSA-B339 Cylinders, Spheres and Tubes for Transportation of Dangerous Goods; and Commission, as applicable; and provided with a listed over-filling prevention device (OPD), and provided with a cylinder connection device compatible with the connection for outdoor cooking appliances.

The cylinder must also be equipped with:

- A shut-off valve terminating in a Type 1 gas cylinder valve outlet.
- A Type 1 valve that prevents gas flow until a positive seal is obtained.
- An arrangement for vapor withdrawal.
- A collar to protect the cylinder shut-off valve.
- A safety relief device having direct communication with the vapor space of the cylinder.
- A listed over-filling prevention device (OPD).

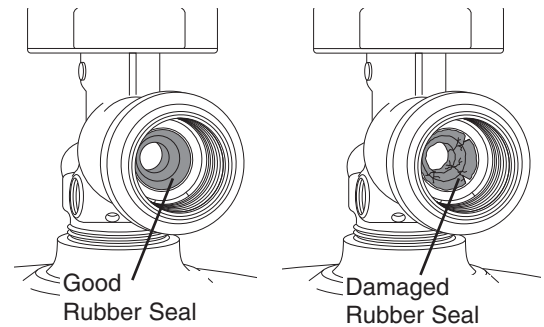
## FILLING THE LP GAS CYLINDER (TANK):

### **WARNING**

- **Allow only qualified licensed LP gas dealers to properly fill or repair your LP gas cylinder.**
- **New tanks should be purged prior to filling; inform LP gas dealer if you are using a new tank.**
- **DO NOT allow the cylinder to be filled beyond 80% capacity. Over-filled tanks can create a dangerous condition. Over-filled tanks can build-up pressure and cause the relief valve to expel propane gas vapors. The vapor is combustible and if it comes in contact with a spark source or flame an explosion causing severe burns, bodily harm, or death could occur.**
- **Always use a protective cylinder cap when grill is not connected to cylinder.**
- **If you exchange a cylinder with a qualified exchange program, the new cylinder must have a Type 1 valve and an over-filling prevention device (OPD).**
- **Inspect the propane tank valve rubber seal for cracks, wear or deterioration prior to use. A damaged rubber seal can cause a gas leak, possibly resulting in an explosion, fire or severe bodily harm.**

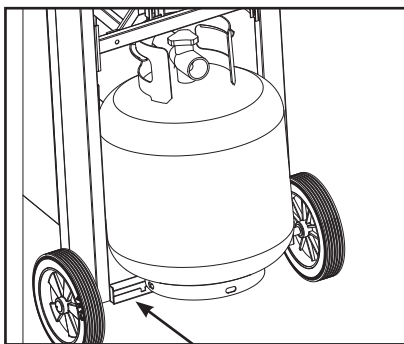
## LP GAS CYLINDER (TANK) RUBBER SEAL INSPECTION:

- Inspect the propane tank valve rubber seal for cracks, wear or deterioration prior to use. A damaged rubber seal can cause a gas leak, possibly resulting in an explosion, fire or severe bodily harm.
- Inspection should be done each time the propane tank is connected to the grill, has been refilled, exchanged or has not been used for more than 60 days.
- Do not use a propane tank with a damaged rubber seal. Exchange the tank or have the rubber seal replaced at a qualified propane filling station.

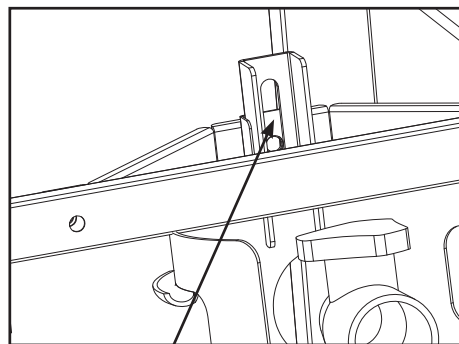


## INSTALLING THE LP GAS CYLINDER (TANK) ONTO THE GRILL:

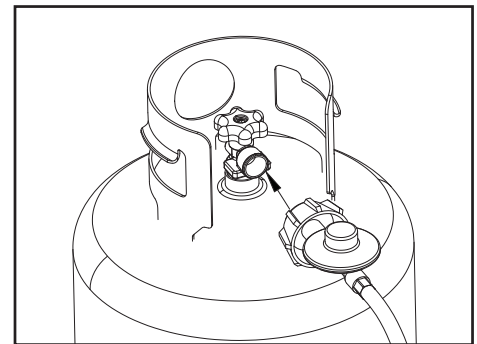
1. Check that the cylinder valve is closed by turning the knob clockwise. Inspect cylinder valve rubber seal for cracks or deterioration. Do not use propane tank with damaged seal as a gas leak may occur.
2. Place the cylinder into the notches of the tank support bracket on the bottom of right legs.
3. Orient the cylinder such that the valve opening faces the right side of the grill. Then slide tank brace over cylinder handle and secure tightly.



Tank Support Bracket



Tank Brace



## HOSE & REGULATOR SPECIFICATIONS AND INSTALLATION:

### ⚠ WARNING

- **DO NOT** attempt to connect grill, as purchased for LP (propane) gas, to any other fuel supply source such as a natural gas line. For dual fuel grills that can be converted to natural gas, a Even Embers conversion kit must be purchased and installed for use with natural gas.
- **DO NOT** use any other pressure regulator/hose assembly other than the one supplied with your grill. Replacement pressure regulator/hose assembly must be part No 8330-155-7600-0, which can be obtained by contacting customer service at 855-735-9922.
- **DO NOT** attempt to adjust or repair a regulator. The regulator is designed to operate at a maximum output pressure of 11 inches of water column (2.74 kPa).
- Ensure the tank valve is **CLOSED** prior to connecting the LP gas cylinder to your grill. Turn the valve knob clockwise to properly close the valve. Read and follow all instructions and warnings on the supply hose safety tags. Read and follow all warnings in this manual concerning the safe use of LP gas cylinders and the hose and regulator before connecting cylinder to grill. Read and follow all warnings on the LP cylinder.

## HOSE AND REGULATOR:

Your grill is equipped with a Type 1 connection device with the following features:

1. The system will not allow gas flow from the cylinder until a positive connection to the valve has been made.

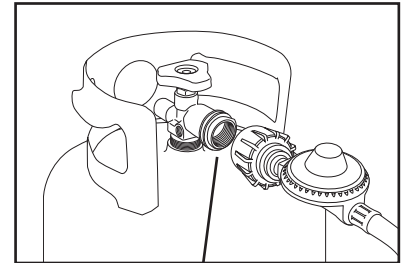
Note: The cylinder valve and all grill burner knobs must be turned OFF before any connection is made or removed.

2. A regulator flow limiting device, when activated, restricts the flow of gas to 10 cubic feet per hour. If the flow limiting device is activated, perform Regulator Resetting Procedure.

Note: If your grill will not get hot enough to cook, the flow limiting device may have been activated.

## CONNECTING HOSE AND REGULATOR:

1. Inspect the propane tank valve rubber seal for cracks, wear or deterioration prior to use. A damaged rubber seal can cause a gas leak, possibly resulting in an explosion, fire or severe bodily harm. Do not use a propane tank with a damaged rubber seal.



Inspect Rubber Seal (see page 6)

2. Attach or detach regulator to the LP gas cylinder only when cylinder is at rest in tank holder.

3. Check that the cylinder valve is closed by turning the knob clockwise.

4. Check that the grill's burner control knobs are in the "OFF" positions.

5. Visually inspect the hose assembly prior to each use for evidence of damage, excess wear, or deterioration. If found, replace the assembly before using your grill. Only the manufacturer's supplied replacement should be used.

6. Remove the protective plastic cap from the cylinder valve.

7. Check that the hose does not contain kinks, does not contact sharp edges, and does not contact surfaces that may become hot during use.

8. Hold regulator and insert the brass nipple into the LP cylinder valve outlet. Ensure that the device is centered properly.

9. Turn the large coupling nut clockwise by hand and tighten to a full stop. Take care not to cross thread the coupling nut onto the cylinder valve. Do not use tools to tighten connection.

Note: If you are unable to make the connection, repeat Steps 7 and 8.

10. Leak check all fittings before lighting your grill. See section on "Leak Testing" in this manual.

Note: To remove regulator from propane tank, turn off the tank valve and rotate the large coupling nut counter-clockwise and remove.

## REGULATOR RESETTING PROCEDURE:

If your grill will not get hot enough to cook, the flow limiting device may have been activated.

Mini Reset:

Turn ALL burner control knobs to "OFF"; turn off the cylinder valve. Wait one minute. Slowly turn cylinder valve ON and relight grill. If burner flame is higher and grill heats up properly – proceed with cooking.

Full Reset:

Turn ALL burner control knobs to "OFF"; turn off the cylinder valve. Disconnect hose and regulator from cylinder. Wait two minutes, reattach hose and regulator and perform leak test.

## LEAK TESTING:

### ⚠ WARNING

- Never use your grill without leak testing all gas connections, hoses and propane tank. Follow the section on "Leak Testing" in this manual for proper procedures.



## **⚠ DANGER**

To prevent fire or explosion hazard:

- **DO NOT** smoke or permit ignition sources in the area while conducting a leak test.
- Perform test **OUTDOORS** in a well ventilated area that is protected from the wind.
- **Never** perform a leak test with a match or open flame.
- **Never** perform a leak test while the grill is in use or while grill is still hot.

### **WHEN TO PERFORM A LEAK TEST:**

- After assembling your grill and before lighting for the first time, even if purchased fully assembled.
- Every time the LP gas cylinder is refilled, exchanged or if any of the gas components are disconnected or replaced.
- Any time your grill has been moved.
- At least once per year or if your grill has not been used for more than 60 days.

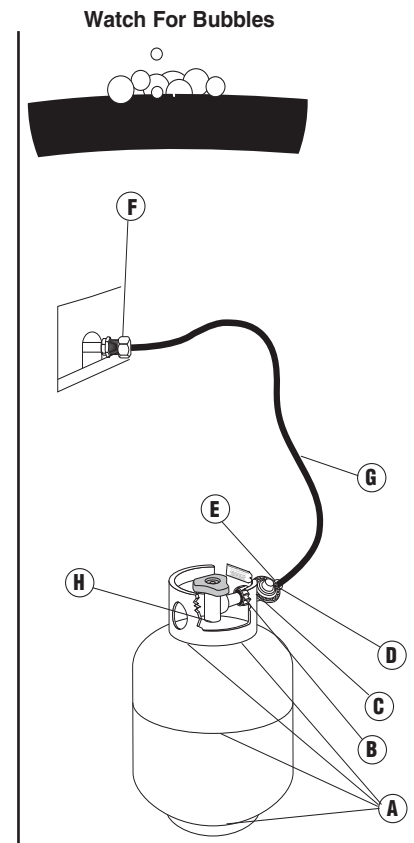
### **CHECKING FOR LEAKS:**

**⚠ CAUTION:** Strong odors, colds, sinus congestion, etc. may prevent the detection of propane by smell. Use caution and common sense when testing for leaks.

Note: The leak test must be performed in an area that has adequate lighting in order to see if bubbles are developing and not in a windy or noisy area so larger leaks can be detected by smell or sound.

1. Create a mixture of 50% water and 50% liquid dishwashing soap.
2. Open the lid.
3. Ensure all control knobs are set to the "OFF" position.
4. Turn on the gas at the cylinder valve. Turn the cylinder valve knob counter-clockwise to full open. If you hear a rushing sound or smell gas, turn the gas off. Tighten any leaking connections. If leak is detected at connection nut and tightening does not stop leak, reinspect propane tank rubber seal.
5. Apply the soapy water mixture to the following:
  - (A) Supply tank (cylinder) weld.
  - (B) Connection nut to tank valve.
  - (C) Back side of connection nut to brass nipple.
  - (D) Brass nipple connection into regulator.
  - (E) Regulator connections to gas supply hoses.
  - (F) Hose connection to gas manifold.
  - (G) The full length of gas supply hose.
  - (H) Tank valve to cylinder.
6. Check each place listed (A–H) for growing bubbles, which indicates a leak. Large leaks may not be detected by bubbles but should produce a rushing sound or gas smell.
7. Turn off gas supply at cylinder valve.
8. Turn on control knobs to release gas pressure in hose.
9. Turn control knobs to "OFF" position.
10. Tighten any leaking connections. If leak is detected at connection nut and tightening does not stop leak, reinspect propane tank rubber seal. (see page 6)
11. Repeat soapy water test until no leaks are detected.
12. Turn off gas supply at cylinder valve until you are ready to use your grill.
13. Wash off soapy residue with cold water and towel dry.
14. Wait 5 minutes to allow all gas to evacuate the area before lighting grill.

**⚠ WARNING:** **DO NOT** use the grill if leaks cannot be stopped. Contact a qualified gas appliance repair service.



## PRE-START CHECK LIST:

### **⚠ DANGER**

Property damage, bodily harm, severe burns, and death could result from failure to follow these safety steps. These steps should be performed after the grill has been assembled and prior to each use. **DO NOT** operate this grill until you have read and understand **ALL** of the warnings and instructions in this manual.

- Ensure that the grill is properly assembled.
- Inspect the gas supply hose for burns, chaffing, kinks, and proper routing before each use. If it is evident there is excessive abrasion or wear, or the hose is cut, it must be replaced prior to the grill being used. Replace with hose and regulator Model No. 8330-155-7600-0, which can be obtained by contacting customer service at 855-735-9922.
- Leak check all gas connections, hose and propane tank. See section on “Leak Testing.”
- Ensure that all electrical supply cords are properly grounded. Keep any electrical supply cord and the fuel supply hose away from any heated surfaces. Hose should be at least 3 inches from hot surfaces.
- Position your grill on a non-combustible level surface in a well ventilated location, a safe distance 10 ft. (3.1 m) from combustible materials, buildings and overhangs.
- Properly place the empty grease cup under the grease drain hole in the bottom of the grill to catch grease during use.
- **DO NOT** block ventilation areas in sides, back or cart compartment of grill.

## GAS LIGHTING INSTRUCTIONS:

### **⚠ WARNING**

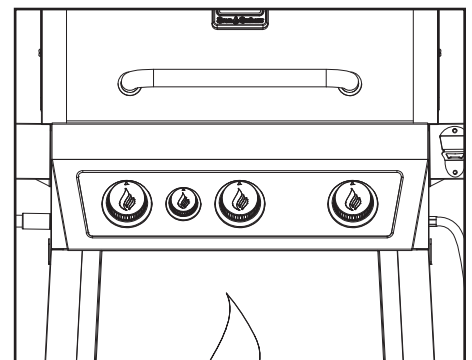
Read, understand and follow all warnings and instructions contained in this manual. **DO NOT** skip any of the warnings and instructions contained in the preceding sections of this manual.

Follow the instructions exactly.

1. **OPEN THE GRILL LID** before attempting to light a burner so that fumes do not accumulate inside the grill. An explosion could occur if grill lid is down.
2. Check that all burner control knobs and the cylinder valve are turned to the “OFF” position.
3. Turn on the fuel supply by slowly rotating the cylinder valve knob counter-clockwise to full open.
4. **DO NOT** stand with head, body, or arms over the grill when lighting.

### LIGHTING THE MAIN BURNERS:

1. Open lid before lighting burner.
2. Make sure all control knobs are in the “OFF” position.
3. Select burner to be lit. Push and hold down the control knob and turn **SLOWLY** (2 to 3 seconds) to “HIGH.” You should hear the igniter click.  
Note: Step 3 may need to be repeated 2-3 times to light grill.
4. If ignition does **NOT** occur in 5 seconds, turn control knob to “OFF”; wait 5 minutes to allow gas to dissipate and repeat lighting procedure.

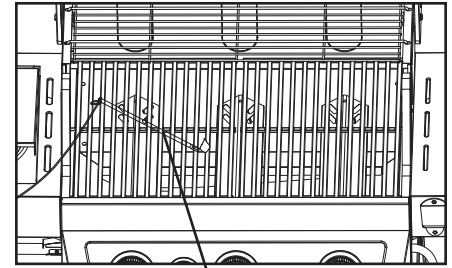


5. To light other burners, follow steps 3-4.
6. If burner does not ignite using the igniter, see “Match Lighting the Main Burners” section.
7. To turn off, turn each control knob clockwise until it locks in the “OFF” position. This does not turn off the gas flow from the cylinder.

Note: If burner does not light or flame is too low, See “Trouble Shooting” section of the owners manual.

### **MATCH LIGHTING THE MAIN BURNER:**

1. Open lid before lighting burner.
2. Make sure all control knobs are in the “OFF” position.
3. Place a paper match in the end of the match lighter. Strike the match and place through the cooking grate approximately 1/2” (1 to 2 cm) from the burner to be lit.
4. Turn the burner control knob to the “HIGH” position. The burner should light within 5 seconds.
5. If the burner does not light, turn the control knob to “OFF” and wait 5 minutes for gas to dissipate and repeat lighting procedure.
6. Once lit, light adjacent burners by following steps 3-6.
7. If the burner does not light within the first few attempts of match lighting, there is a problem with the gas supply. Turn off the gas at the burner and cylinder. **DO NOT** attempt to operate the grill until the problem is found and corrected.



Match Lighter

Note: If burner does not light or flame is too low, See “Trouble Shooting” section of the owners manual.

## **OPERATING THE GRILL:**

### **⚠ WARNING**

- Read and follow all warnings and instructions contained in the preceding sections of this manual.
- Flavoring chips must be contained in a metal smoking box to contain ash and prevent fires.
- **DO NOT** cover cooking grates or other components with aluminum foil, as this blocks ventilation and damage to grill or personal injury may occur.
- **DO NOT** leave your grill unattended while “ON” or in use.
- **DO NOT** move grill when in use.
- **DO NOT** use water on a grease fire. Closing the lid to extinguish a grease fire is not possible. Use type BC dry chemical fire extinguisher or smother with dirt, sand or baking soda.
- Never cook on the grill without the grease cup/tray in place.

### **BREAKING IN YOUR GRILL:**

- In manufacturing and preserving the components of your grill, oil residue may be present on the burners and cooking surfaces of your grill.
- Before cooking on your grill for the first time you should preheat it for 15 minutes on “HIGH” to burn off these residual oils.

### **PREHEATING THE GRILL:**

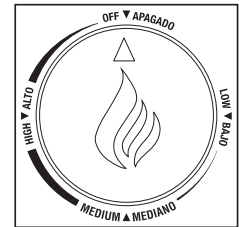
- Prior to each use, it is recommended that you preheat your grill. This ensures that the grilling surfaces are at the desired temperatures to sear the food sugars when cooking. After lighting your grill, set the main burner control knobs to the “HIGH” position for 5 to 10 minutes. Close the lid during the preheat period.

## CONTROLLING FLARE-UPS/GREASE FIRES:

- Flare-ups are a part of cooking meats on a gas grill. This adds to the unique flavor of cooking on a gas grill. Use caution when opening the lid as sudden flare-ups may occur. Excessive flare-ups can overcook your food and cause a dangerous situation for you and your grill. Excessive flare-ups result from the build-up of grease in your grill. If this should occur, DO NOT pour water onto the flames. This can cause the grease to splatter and could result in serious burns or bodily harm.
- If grease fire occurs while lid is open, leave lid open, turn burner knobs to “OFF”; turn off LP cylinder valve. If possible, relocate food to a different section of cooking grate and allow grease to burn out or smother the flames with baking soda.
- If grease fire occurs while lid is closed, leave lid closed, as a sudden burst of air may increase flames. Turn burner knobs to “OFF”; turn off LP cylinder valve. Allow grease to burn out.
- Never pour water on a grease fire as grease may splatter/spread and could result in bodily injury or property damage.
- If grease fire does not quickly burn out or the fire is growing/spreading, use type BC dry chemical fire extinguisher or smother with dirt, sand or baking soda. Closing the lid to extinguish a grease fire is not possible.

## TO MINIMIZE FLARE-UPS:

- Trim excess fat from meats prior to cooking.
- Cook meats with high fat contents (chicken or pork) on Low settings or indirectly.
- Ensure that your grill is on level ground and the grease is allowed to evacuate the grill through the drain hole in the bottom and into grease cup/tray.
- Clean grill frequently to minimize grease buildup.



## INDIRECT COOKING:

- Indirect cooking is the process of cooking your food without the heat source being directly under your food. You can sear meats over a high flame on one side of the grill while slow cooking a roast on the other (unlit) side of the grill.

## ROTISSERIE COOKING:

- Your grill was pre-drilled from the factory to include mounting holes for a rotisserie (sold separately).
- Read and follow all instructions provided with the rotisserie. Save instructions for future reference.

## **⚠ WARNING**

- **When using an AC current rotisserie, it must be electrically grounded in accordance with local codes, or in the absence of local codes:**
  - **In the US: The National Electrical Code – ANSI-NFPA No. 70 – Latest Edition**
  - **In Canada: the Canadian Electrical Code – CSA C22.1**
- **The Rotisserie is equipped with a three pronged plug for your protection against electrical shock. This plug should be plugged directly into a properly grounded 3 prong receptacle. Never cut or remove the grounding plug. Any extension cord must also have a 3 prong receptacle.**
- **All electrical supply cords should be kept away from water and any hot surfaces of the grill.**

## TURNING OFF THE GRILL:

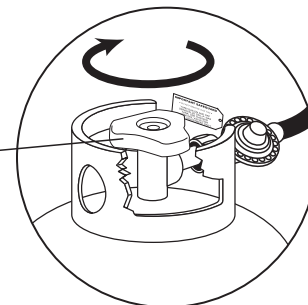
1. Turn off the cylinder valve.
2. Turn all burner control knobs to the "OFF" position.

Note: Turn off LP cylinder first to prevent gas from being left in the system under pressure.

### ⚠ CAUTION:

- The cylinder valve should always be in the off, or closed, position when the grill is not in use.

To turn off the cylinder valve, turn knob clockwise until it stops.



## PROPER CARE & MAINTENANCE:

- ⚠ **WARNING:** If a bristle brush is used to clean any of the cooking surfaces, ensure no loose bristles remain on the cooking surfaces prior to grilling as loose bristles may attach to food.

### CLEANING INTERIOR OF GRILL:

- We recommend cleaning off food residue immediately after cooking by gently scrubbing grates with wire bristle brush and then turning burners to HIGH for approximately 5 minutes.
- Make sure coals are completely extinguished and the unit has adequately cooled before cleaning.
- Clean up of the grill after each use is required.

- ⚠ **WARNING:** DO NOT leave grill unattended when grill is on. Wear oven mitts to protect from burns.
- The heat from the burners will burn off most food/grease residue from grates & heat tents and turn it to an ash like substance which will fall to the bottom of the firebox or grease tray. After the grill cools (approximately 30 minutes) remove grates and heat tents and brush the ash and any grease out of the firebox. Clean and replace grease cup. Inspect the heat tents for damage or deterioration before reinstalling in the grill. (Replacements can be ordered by calling 855-735-9922.)

- ⚠ **CAUTION:** DO NOT allow ash residue to remain on the grease tray or firebox as it could block proper grease drainage of the grill.

### INTERIOR OF GRILL LID:

- Smoke will accumulate inside grill lid and may flake onto your food. Clean the inside of the grill lid with scrub brush and baking soda/water solution. Dry thoroughly. Do not mistake this for paint. The interior of gas grill lids are not painted.

### MAINTAINING EXTERIOR OF GRILL:

- To protect your grill from excessive rust, the unit must be kept clean and covered at all times when not in use.
- Painted surfaces. Wash with mild detergent or non-abrasive cleaner and warm soapy water.
- Stainless steel surfaces. To maintain your grill's appearance, wash with mild detergent and warm soapy water and wipe dry with a soft cloth after each use. Baked-on grease deposits may require the use of an abrasive plastic cleaning pad. Use only in direction of brushed finish to avoid damage. Do not use abrasive pad on areas with graphics. Car wax may help protect the exterior finish of your grill.
- Porcelain surfaces. Because of glass-like composition, most residue can be wiped away with a solution of baking soda and water or specially formulated cleaner. Use non-abrasive scouring powder such as baking soda for stubborn stains.
- Plastic and rubber parts. Wash with warm soapy water and wipe dry. Do not use citrisol, abrasive cleaners, degreasers or a concentrated grill cleaner on plastic parts. Damage to and failure of parts can result.

## RUST:

- Discoloration, rust and rust pits can occur as a result of high cooking temperatures, acidic marinades, grease fires and exposure to coastal climates or other natural elements.
- Rust spots on the interior surface can be buffed, cleaned, then lightly coated with vegetable oil or vegetable oil spray to minimize rusting.
- Never use cleaners containing chlorine or store swimming pool supplies or chemicals in cart compartment as chlorine promotes rust.

## BURNER CLEANING AND MAINTENANCE:

- Keep the appliance free and clear of combustible materials, gasoline and other flammable vapors and liquids.
- Keep the ventilation openings of the cylinder enclosure free and clear of debris.
- Visually check burner flames for proper operation (see pictorial in “Burner Assembly/Maintenance” under Proper Care and Maintenance). Spiders or other insects can nest in the burner causing gas blockage.
- For safe grilling and peak performance of your grill, perform these checks at least twice per year or after extended periods of storage.
- Be sure to tighten up all hardware (nuts, bolts, screws, etc.) at least twice per year.

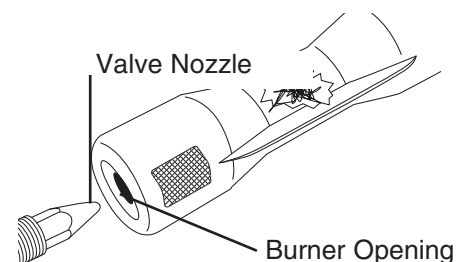
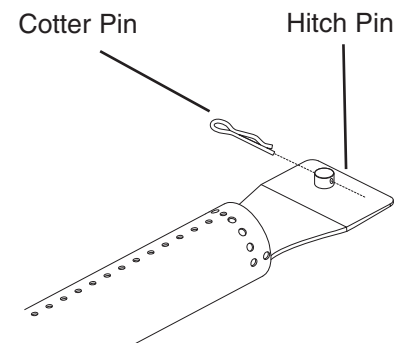
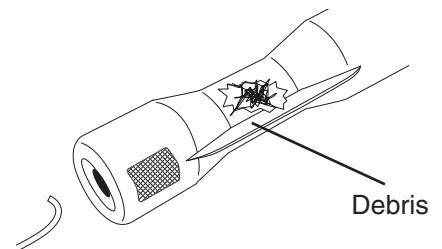
**CAUTION:** Some parts may contain sharp edges. Wear protective gloves if necessary.

- ⚠️ Remove the cooking grills, heat distribution plates, and burners from inside your grill. Use a brush with hot water and detergent to remove excess residue. NEVER use a commercial oven cleaner. Rinse completely with water. Towel dry and replace all components as described in the assembly instructions.

## BURNER ASSEMBLY/MAINTENANCE:

- Although your burners are constructed of stainless steel, they may corrode as a result of the extreme heat and acids from cooking foods. Regularly inspect the burners for cracks, abnormal holes, and other signs of corrosion damage. If found, replace the burner.
- DO NOT block ventilation areas in sides, back or cart compartment of grill. Burner tubes can become blocked by spiders and other insects building their nests. Blocked burner tubes can prevent gas flow to the burners and could result in a burner tube fire or fire beneath the grill. To clean the Burner Assembly follow these instructions to clean and/or replace parts of burner assembly or if you have trouble igniting the grill.

1. Turn gas off at control knobs and LP cylinder tank valve.
2. Remove cooking grills and heat distribution plates.
3. Remove hitch pin from each burner.
4. Carefully lift each burner up and away from valve openings.
5. Use a narrow bottle brush or a stiff wire bent into a small hook to run through each burner tube or use compressed air to blow into burner tube and out the flame ports. Check each port to make sure air comes out each hole.





**CAUTION:** Wear eye protection when using compressed air.

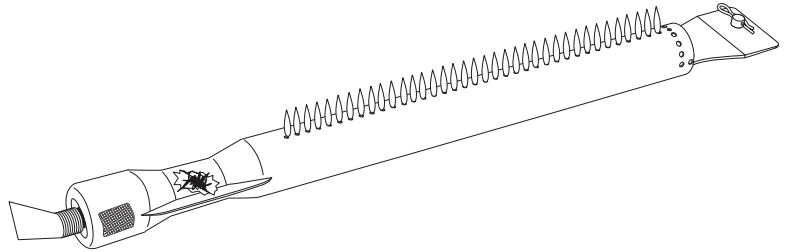
6. Use a wire brush to clean the entire outer surface of burner to remove food residue and dirt.
7. Check burner for damage, if any cracks or holes are found replace burner.
8. Install burner in grill, orient burners **CORRECTLY**.

**IMPORTANT:** Burner opening must slide over valve nozzle.

9. Replace hitch pins on each burner.

Note: Follow the “Gas Leak Testing” section of this manual. Relight burners to verify proper operation.

10. Replace heat distribution plates and cooking grills.



#### **PROPER VALVE TO BURNER ALIGNMENT**

Note: Normal flame height is 1” to 2”

## **TRANSPORTING AND STORAGE:**

### **⚠ WARNING**

- **Never move a grill when hot or in use.**
- **Make sure that cylinder valve is closed and burner knobs are in the off position.**
- **DO NOT store a spare LP gas cylinder (filled or empty) under or near the grill.**
- **Never store flammable liquids or spray canisters under or near the grill.**
- **If the outdoor cooking gas appliance is not in use, the gas must be turned off at the LP gas supply cylinder.**
- **Storage of an outdoor cooking gas appliance indoors is permissible only if the cylinder is disconnected and removed from the outdoor cooking gas appliance.**
- **Cylinders must not be stored in a building or enclosure, including garages and sheds.**
- **Cylinders must be kept out of reach of children.**

### **BEFORE STORING YOUR GRILL:**

- Ensure that the cylinder valve is fully closed.
- Clean all surfaces. Lightly coat the burners with cooking oil to prevent excess rusting.
- If storing the grill indoors, disconnect the LP tank and leave the LP tank **OUTDOORS**.
- Place dust cap on cylinder valve outlet whenever the cylinder is not in use. Only install the type of dust cap on the cylinder valve outlet that is provided with the cylinder valve. Other types of caps or plugs may result in leakage of propane.
- Check and clean burner prior to use after storing, at the beginning of grilling season or after a period of not being used. Spiders and insects like to build nests in burner tubes (especially during colder months). Blocked burner tubes can prevent gas flow to the burners and could result in a burner tube fire or fire beneath the grill. See “Burner Assembly/Maintenance” under Proper Care and Maintenance.
- If storing the grill outdoors, cover the grill with a grill cover for protection from the weather.

# TROUBLE SHOOTING:

| <b>Problem</b>   | <b>Possible Cause</b>                                     | <b>Prevention/Cure</b>  |
|--|---|---|
| <b>Burner will not light</b>   | LP gas tank valve is closed                               | Make sure regulator is securely attached to the LP gas tank, turn LP gas tank valve to "OPEN"   |
|  | LP gas tank is low or empty                               | Check if LP gas tank is empty. If empty, replace or refill.   |
|  | LP gas leak   | 1. Turn LP gas tank valve to "CLOSED"<br>2. Wait 5 minutes for gas to clear<br>3. Follow "Leak Testing" in the owner's manual   |
|  | Coupling nut and regulator not fully connected            | See section on "Connecting Hose and Regulator"  |
|  | Obstruction of gas flow                                   | 1. Clean burner assembly<br>2. Check for bent or kinked hose  |
|  | Burner may not be properly seated                         | Reseat burner and valve. Refer to "Burner Assembly/Maintenance" instructions  |
|  | Spider webs or insect nest in venturi                     | Clean venturi and burner assembly   |
|  | Burner ports clogged or blocked                           | Clean burner ports  |
|  | Battery needs to be changed                               | Replace the battery (follow assembly step for inserting battery)  |
|  | Wires or electrode covered with cooking residue           | Clean wire and/or electrode with rubbing alcohol  |
|  | Electrode and burners are wet                             | Wipe dry with cloth   |
|  | Electrode cracked or broken - sparks at crack             | Replace electrode   |
|  | Wire loose or disconnected                                | Reconnect wire or replace electrode/wire assembly   |
|  | Wire is shorting (sparking) between ignitor and electrode | Replace ignitor wire/electrode assembly   |
| Bad ignitor  | Replace ignitor   |   |
| <b>Grill does not get hot enough</b>                                     | Out of gas  | Replace or refill LP gas tank   |
|  | Flow limiting device may have been activated              | 1. Mini Reset:<br>a. Turn control knobs and LP gas tank valve to "OFF"<br>b. Wait one minute and relight grill per "Lighting Instructions"<br>2. If flames are still too low, perform a Full Reset<br>Full Reset:<br>a. Turn control knobs and LP gas tank valve to "OFF"<br>b. Disconnect regulator from propane tank<br>c. Inspect LP cylinder rubber seal<br>d. Wait 1 minute<br>e. Reconnect regulator and perform "Leak Testing" on all connections.<br>f. Light grill per "Lighting Instructions" |
| <b>Irregular flame pattern. Flame does not run full length of burner</b> | Burner ports are clogged or blocked                       | Clean burner ports  |
|  | Air shutter on burner needs adjustment                    | See section on "Burner Adjustment"  |
| <b>Flame is yellow or orange</b>   | New burner may have residual manufacturing oils           | Burn grill for 15 minutes on "HIGH" with the lid closed   |
|  | Spider webs or insect nest in venturi                     | Clean venturi and burner assembly   |
|  | Food residue, grease, etc.                                | Clean burner assembly   |
|  | Poor alignment of valve to burner venturi                 | Make sure burner venturi is properly engaged with valve   |
|  | Air shutter on burner needs adjustment                    | See section on "Burner Adjustment"  |



| <b>Problem</b>  | <b>Possible Cause</b>   | <b>Prevention/Cure</b>  |
|---|---|---|
| <b>Flame blows out</b>                                  | High or gusting winds   | Do not use grill in high winds  |
|   | Low on LP gas   | Replace or refill LP gas tank   |
|   | Burner holes may be obstructed                                    | Refer to "Burner Assembly/Maintenance" instructions   |
|   | Flow limiting device tripped                                      | Refer to "Regulator Resetting Procedure"  |
| <b>Flare-up</b>   | Grease buildup  | Clean all grill parts per "Proper Care and Maintenance" instructions  |
|   | Excess fat in meat  | Trim fat from meat before grilling  |
|   | Excessive cooking temperature                                     | Adjust (lower) cooking temperature  |
| <b>Grease fire</b>                                      | Grease trapped by food buildup around burner system               | <ol style="list-style-type: none"> <li>1. Turn control knobs and LP gas tank valve to "OFF"</li> <li>2. Leave lid in open or closed position and let fire burn out. Use BC type fire extinguisher or baking soda, sand or dirt to smother fire, if necessary.</li> <li>3. After grill cools, remove and clean all parts per "Proper Care and Maintenance" instructions</li> </ol> |
| <b>Flashback (fire in burner tubes) / knobs melting</b> | Burner and/or burner tubes are blocked                            | Clean burners and/or burner assembly  |
| <b>Inside of lid is peeling (like paint peeling)</b>    | Baked on grease buildup has turned into carbon and is flaking off | Clean thoroughly per "Proper Care and Maintenance" instructions   |

## **GRILL COOKING TIPS:**

### **CLEANLINESS:**

- Always wash hands thoroughly with soap and hot water prior to handling food and after handling raw meat, uncooked poultry or seafood.
- When using a platter to carry raw meat, uncooked poultry or seafood to the grill, make sure to wash the platter thoroughly with soap and hot water before placing cooked foods back on the platter or use different platters for raw and cooked foods.
- Never use the same utensils when handling raw meat, uncooked poultry or seafood unless you wash the utensils thoroughly with soap and hot water.
- Never re-use marinade from raw meat or uncooked poultry on foods that have been cooked and are ready to be served.

### **GRILLING TO PROPER TEMPERATURE:**

- Use a meat thermometer to be sure food has reached a safe internal temperature.
- The USDA recommends the minimum temperature be reached for the following food items:

|                          |                         |                         |                         |
|--------------------------|-------------------------|-------------------------|-------------------------|
| <b>Chops</b> .....       | <b>145° F (62.8° C)</b> | <b>Roasts</b> .....     | <b>145° F (62.8° C)</b> |
| <b>Ground Meat</b> ..... | <b>160° F (71° C)</b>   | <b>Seafood</b> .....    | <b>145° F (60° C)</b>   |
| <b>Pork</b> .....        | <b>145° F (62.8° C)</b> | <b>Vegetables</b> ..... | <b>145° F (62.8° C)</b> |
| <b>Poultry</b> .....     | <b>165° F (82° C)</b>   |                         |                         |

### **HELPFUL HINTS:**

- If you pre-cook meat or poultry, do so immediately before grilling.
- Never defrost meat at room temperature or on a counter top.
- Refrigerate leftovers within 2 hours of taking food off the grill.
- For additional information, please phone the USDA's toll free Meat & Poultry Hotline at 800-535-4555.

# ASSEMBLY INSTRUCTIONS:

**⚠ READ ALL SAFETY WARNINGS & ASSEMBLY INSTRUCTIONS CAREFULLY BEFORE ASSEMBLING OR OPERATING YOUR GRILL.**

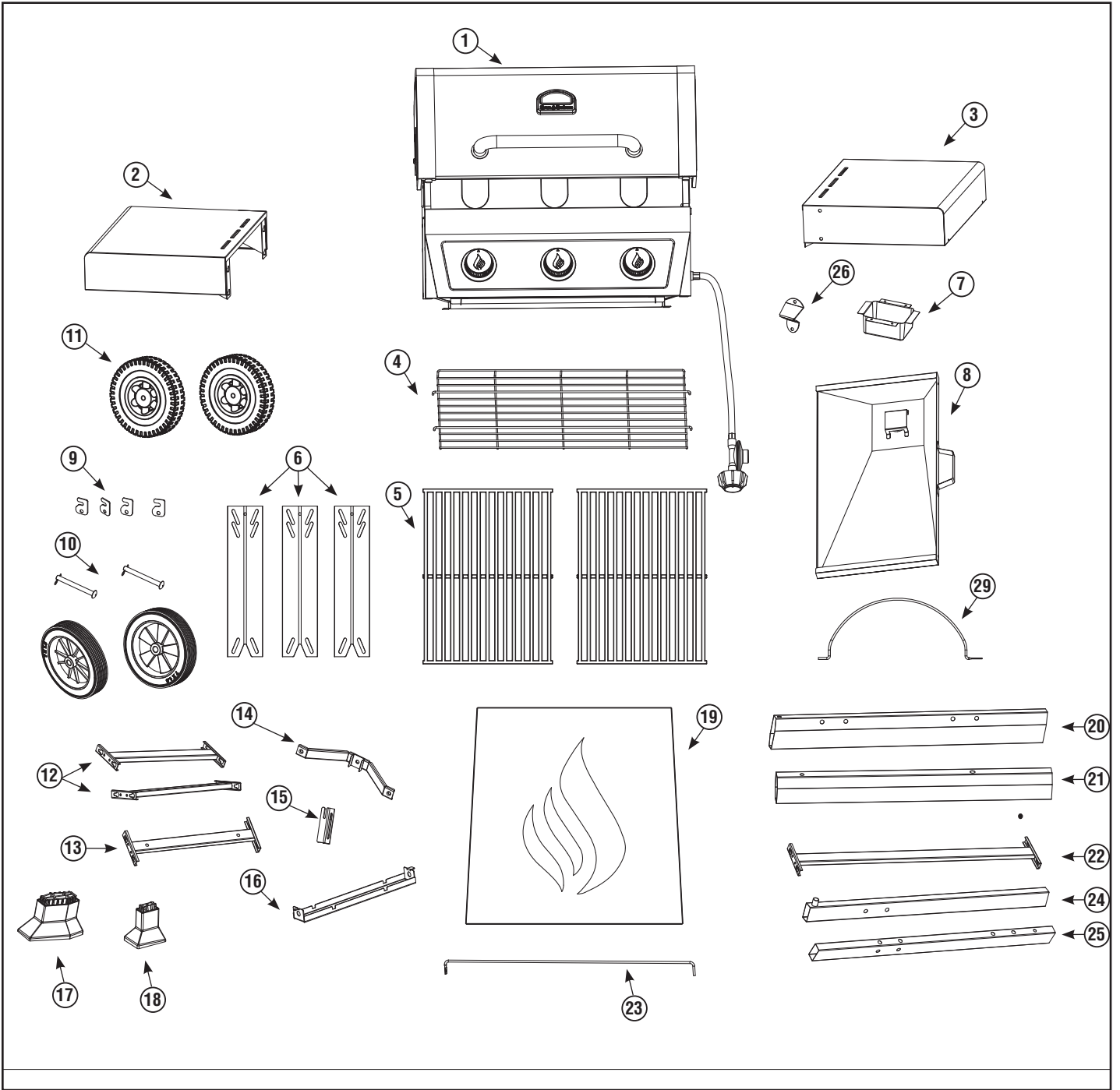
**WE RECOMMEND TWO PEOPLE WORK TOGETHER WHEN ASSEMBLING THIS UNIT.**

The following tools are required to assemble this Even Embers 3 Burner Gas Grill:

- **Phillips Screwdriver**

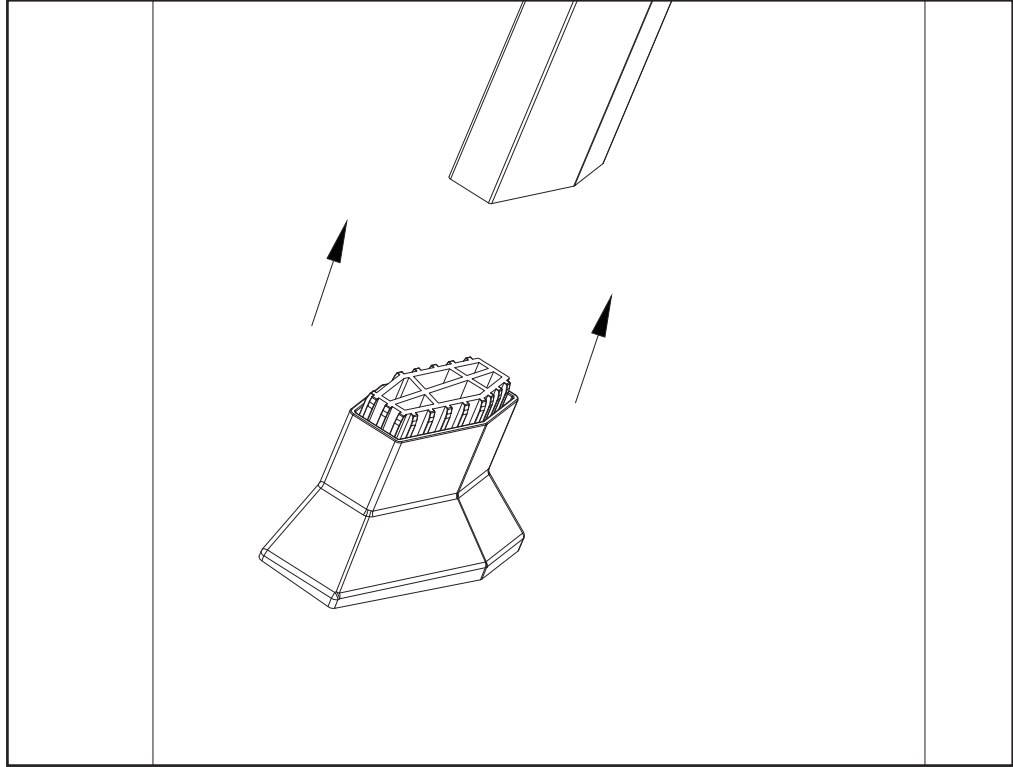
## PARTS LIST:

|   |   |                            |    |   |                     |
|---|---|----------------------------|----|---|---------------------|
| ① | 1 | Hood & Firebox Assembly    | ①7 | 1 | Left Front Foot     |
| ② | 1 | Left Side Table            | ①8 | 1 | Left Rear Foot      |
| ③ | 1 | Right Side Table           | ①9 | 1 | Cart Front Panel    |
| ④ | 1 | Warming Rack               | ②0 | 1 | Front Left Leg      |
| ⑤ | 2 | Cast Iron Grates           | ②1 | 1 | Front Right Leg     |
| ⑥ | 3 | Stainless Steel Heat Tents | ②2 | 1 | Rear Brace          |
| ⑦ | 1 | Grease Cup                 | ②3 | 1 | Rear Tank Block Bar |
| ⑧ | 1 | Grease Tray                | ②4 | 1 | Rear Right Leg      |
| ⑨ | 4 | Cart Brackets              | ②5 | 1 | Rear Left Leg       |
| ⑩ | 2 | Axle Bolts                 | ②6 | 1 | Bottle Opener       |
| ⑪ | 2 | Wheels                     | ②7 | 1 | Side Tank Block Bar |
| ⑫ | 2 | Left Cart Braces           |    |   |                     |
| ⑬ | 1 | Right Cart Brace           |    |   |                     |
| ⑭ | 1 | Tank Retention Bracket     |    |   |                     |
| ⑮ | 1 | Tank Brace                 |    |   |                     |
| ⑯ | 1 | Tank Support Bracket       |    |   |                     |

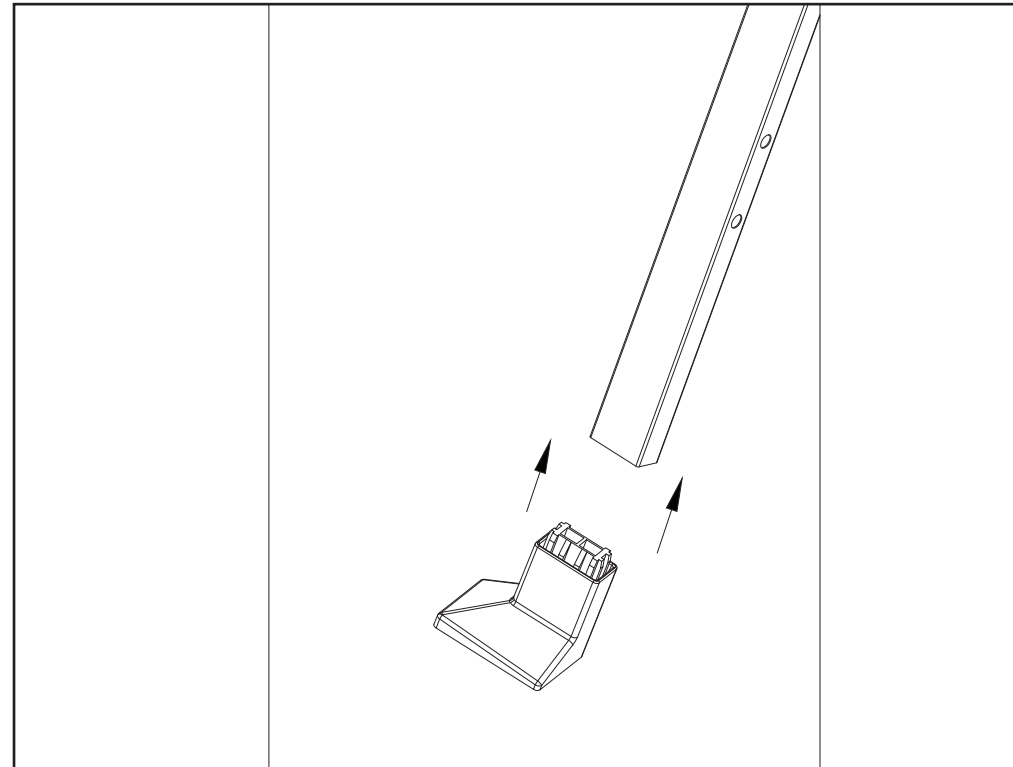


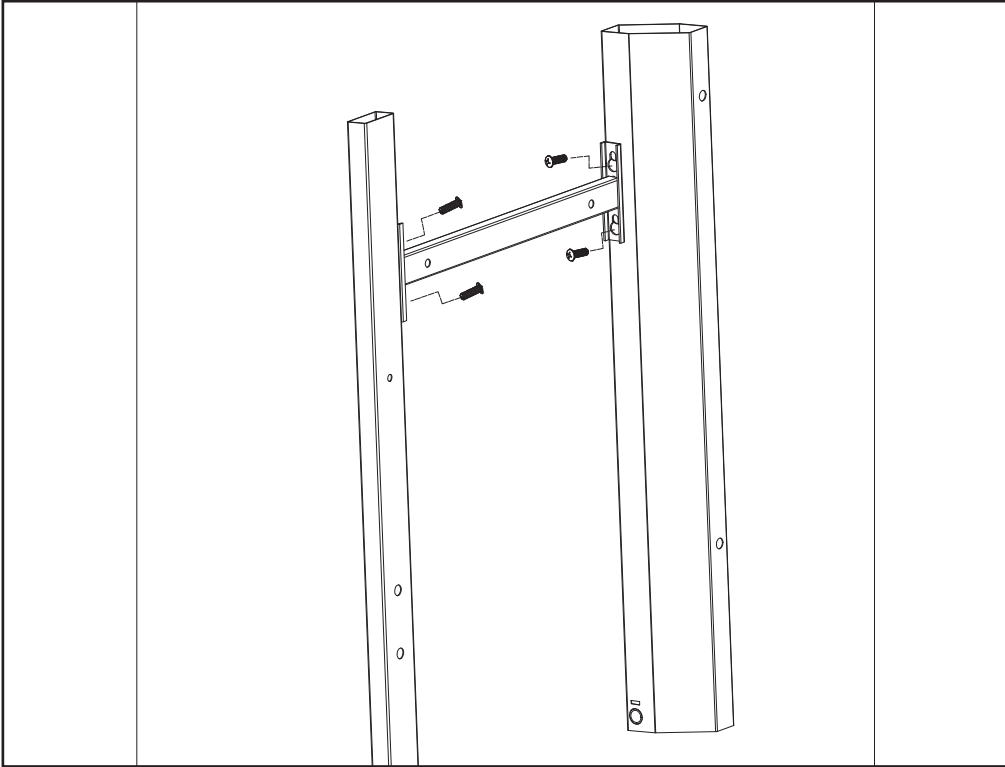
**NOTE:** All hardware is pre-assembled to the grill. You may need to loosen some bolts partially while others may need to be removed in order to assemble parts.

1

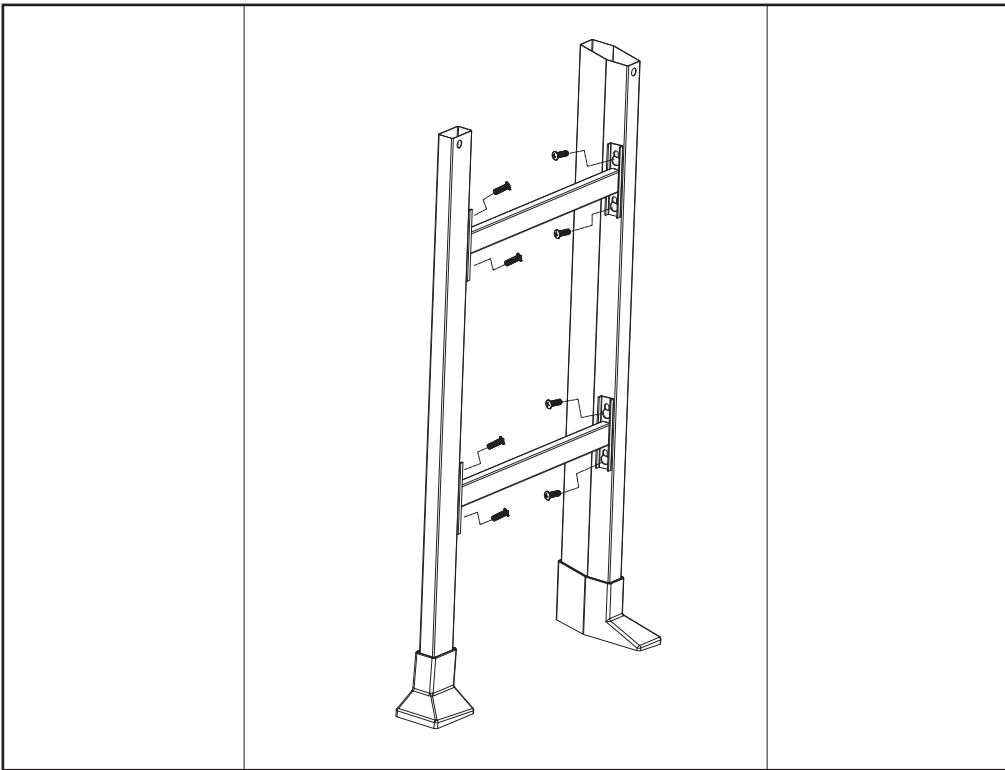


2



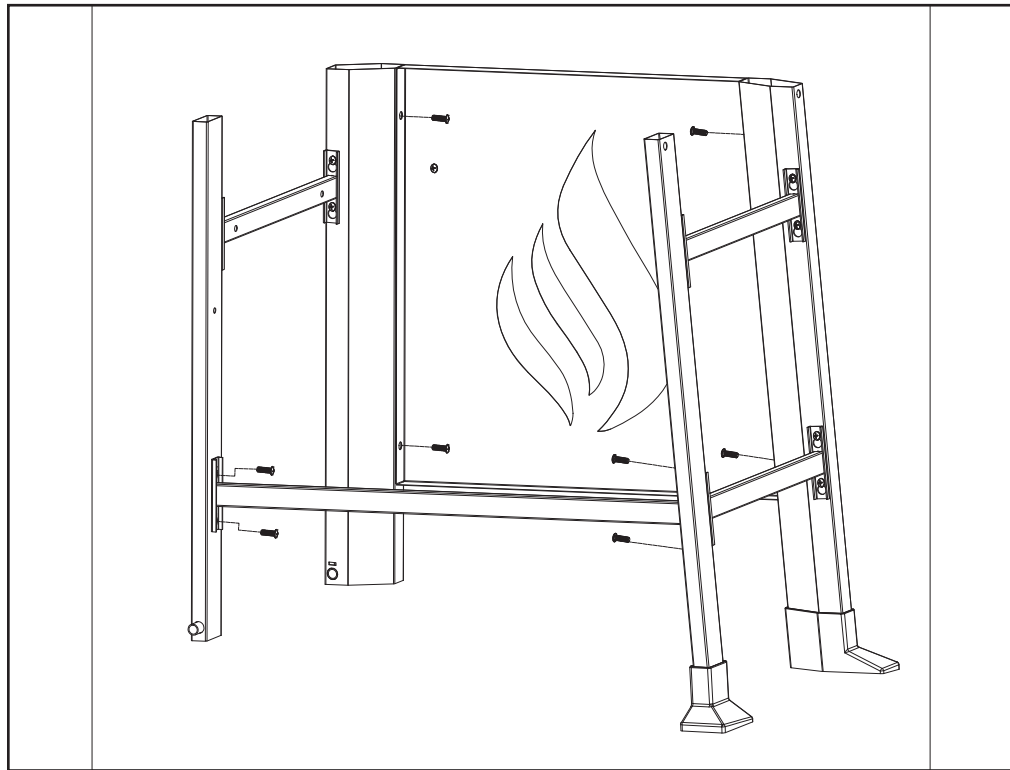


3

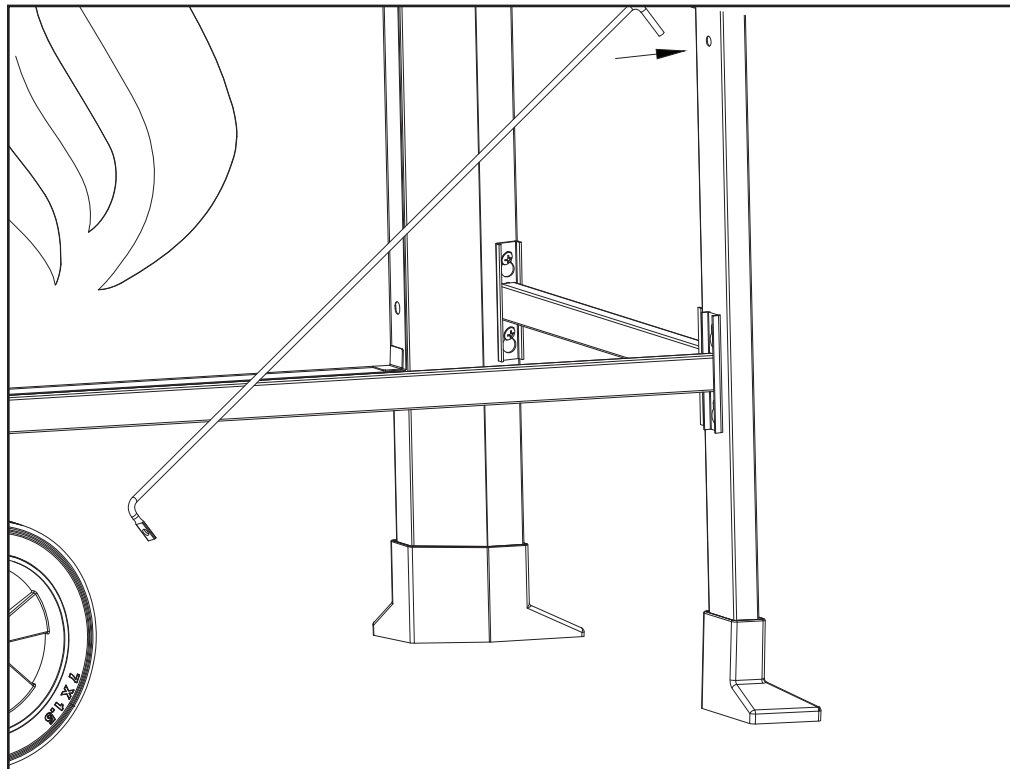


4

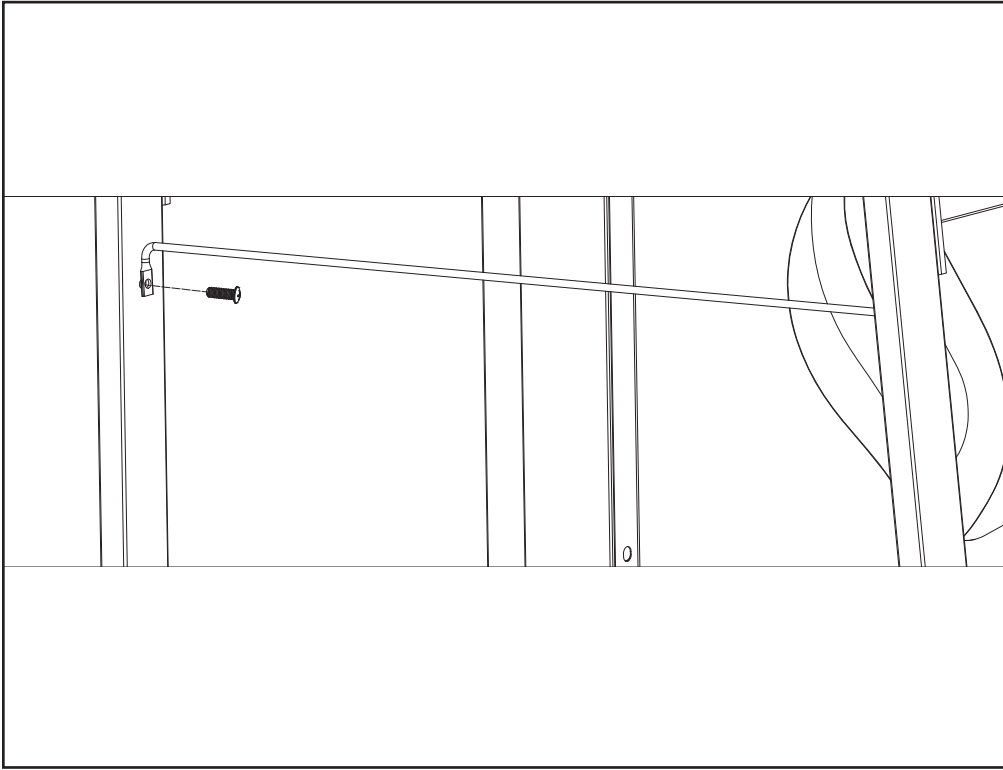
3



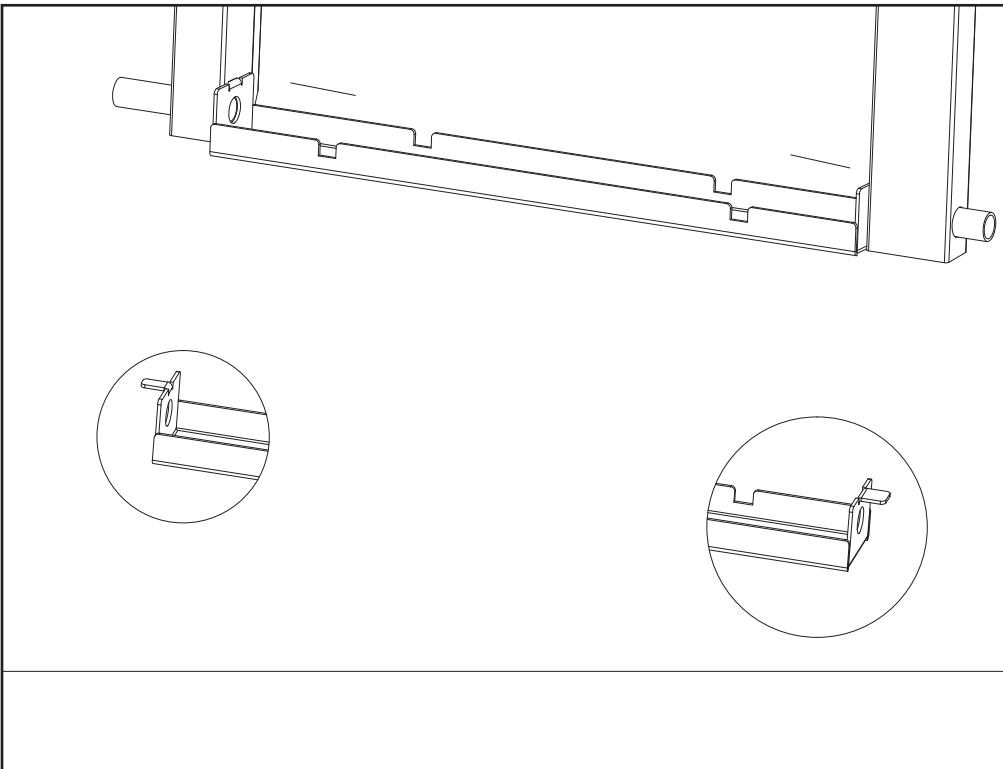
4



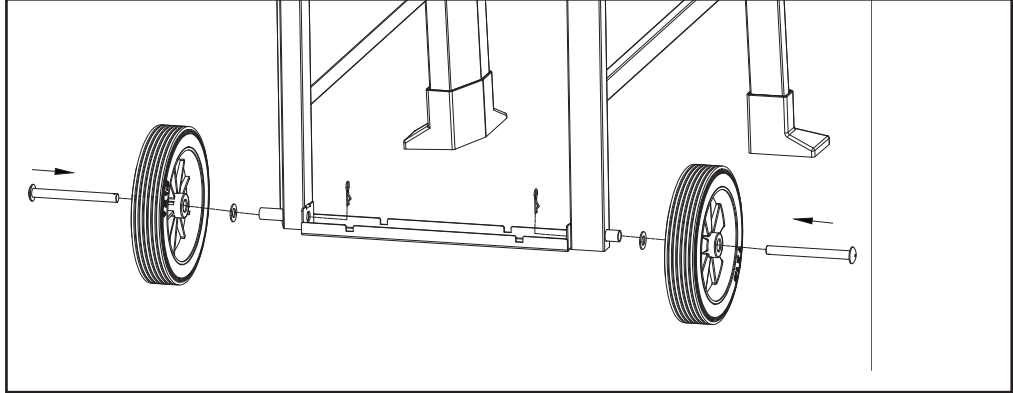
5



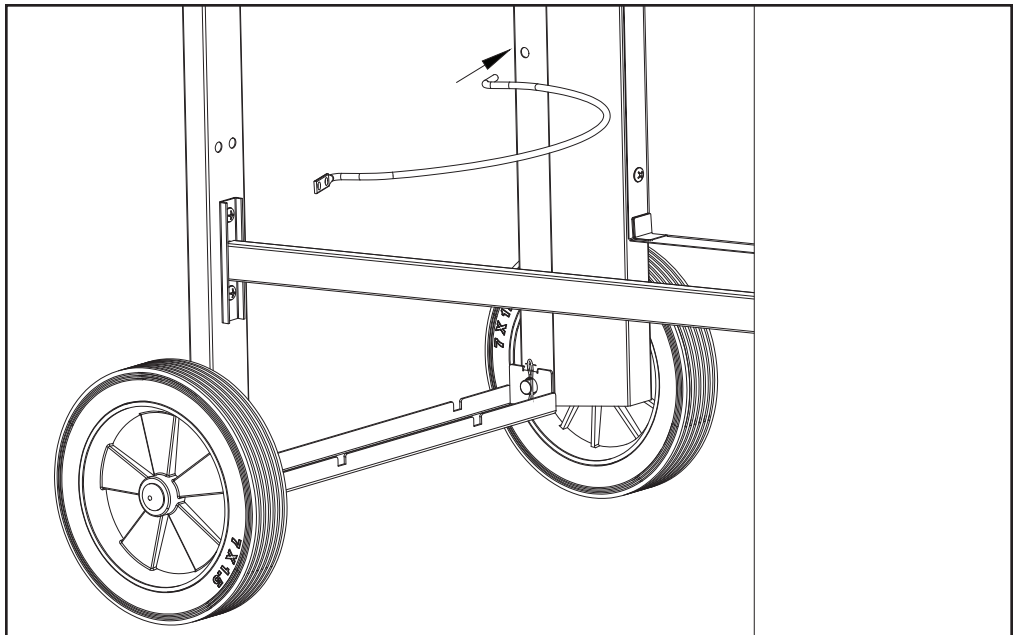
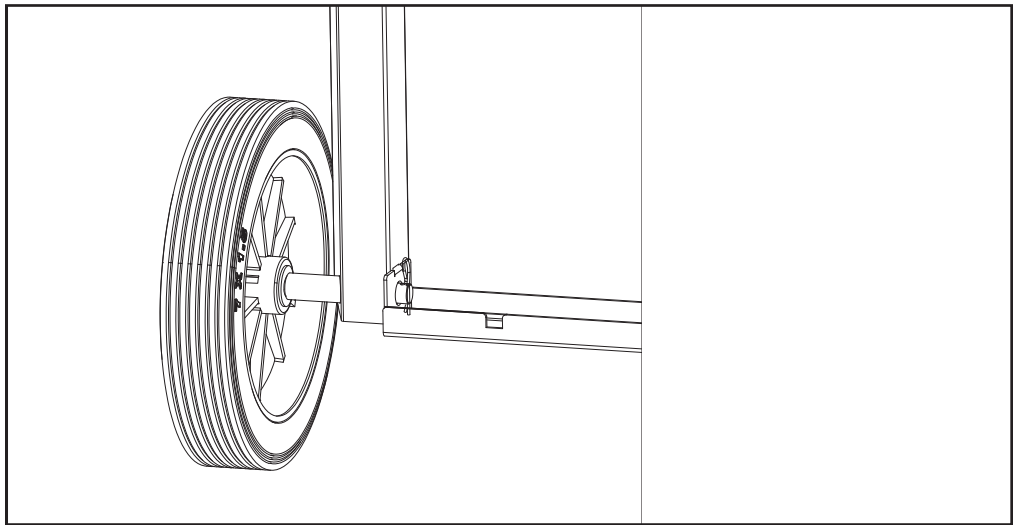
6



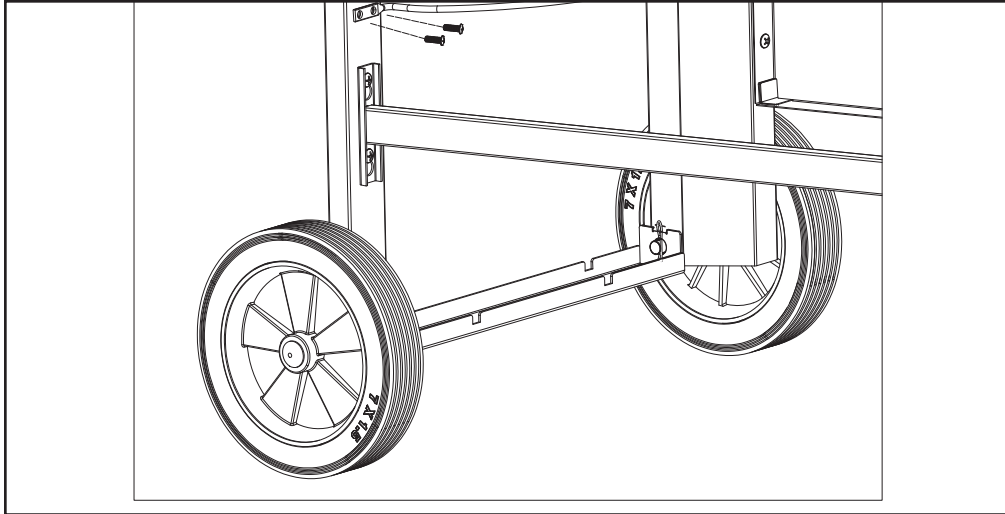
6a



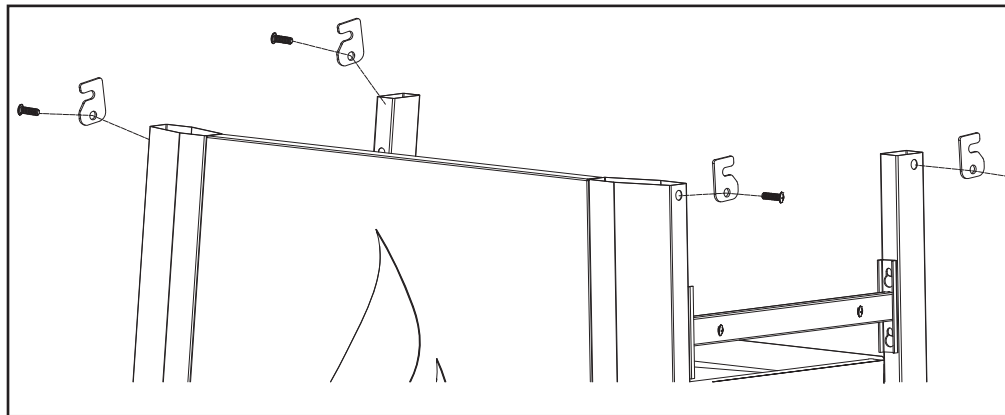
7



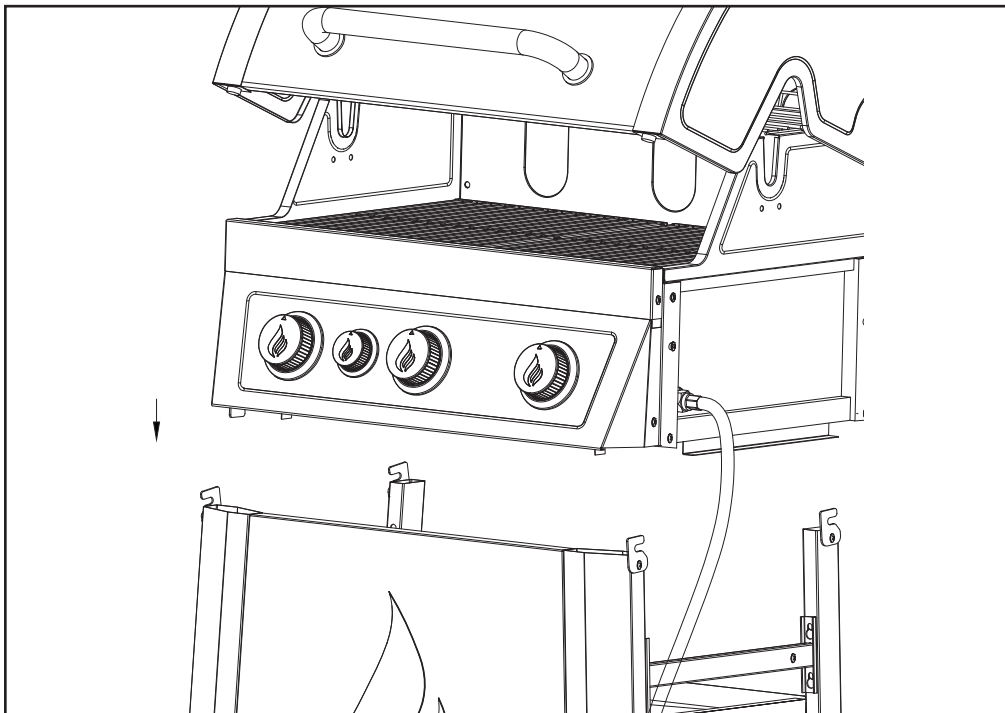




8



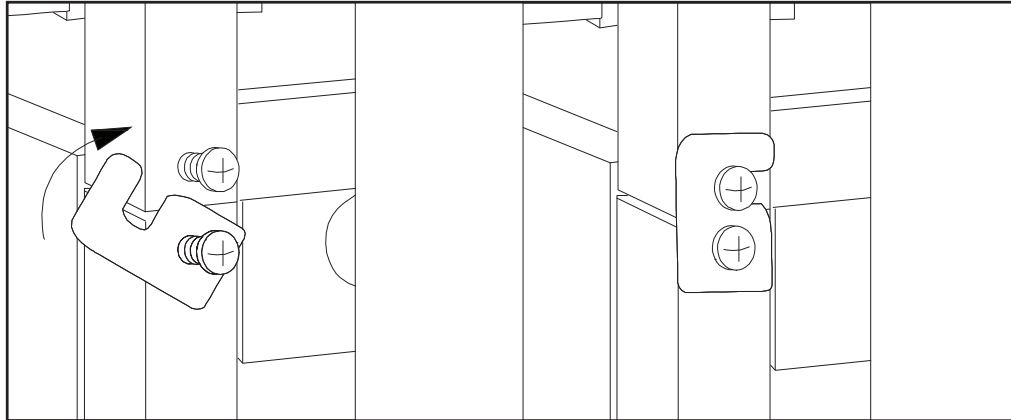
8a



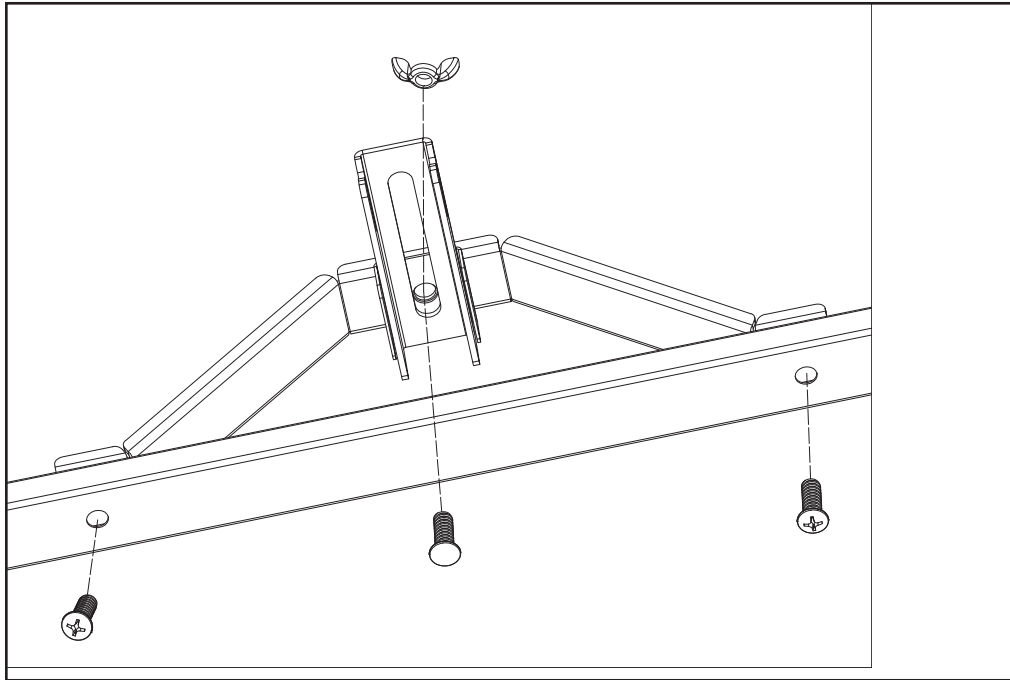
9

9a

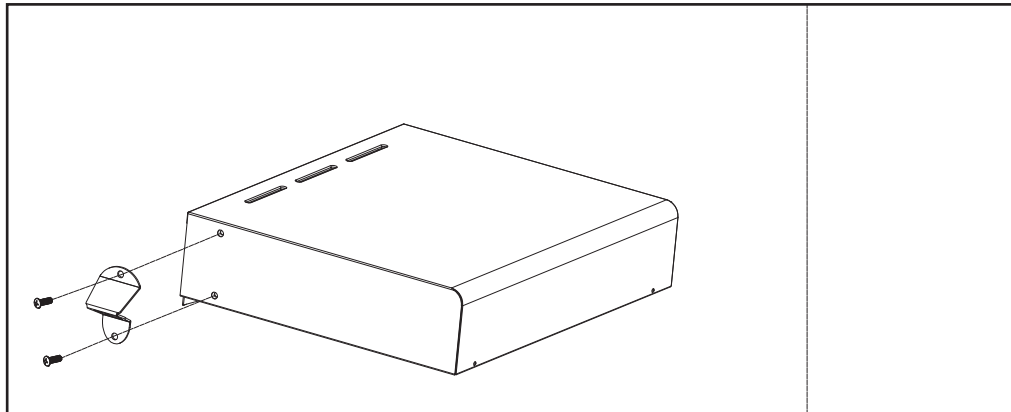
X4

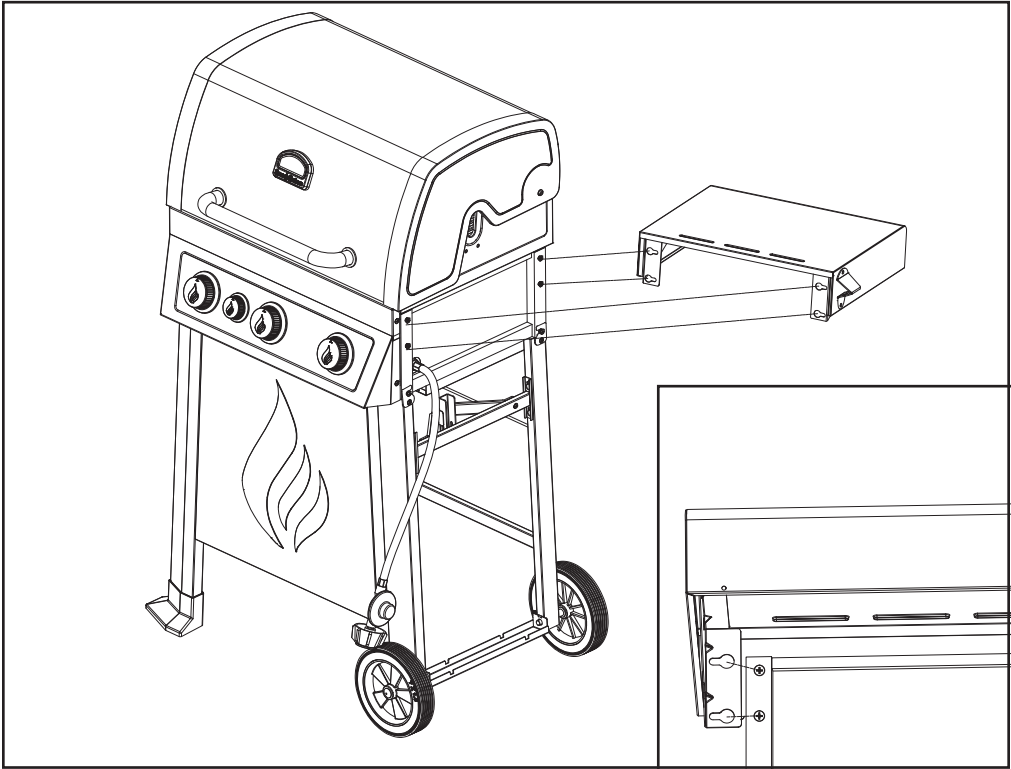


10



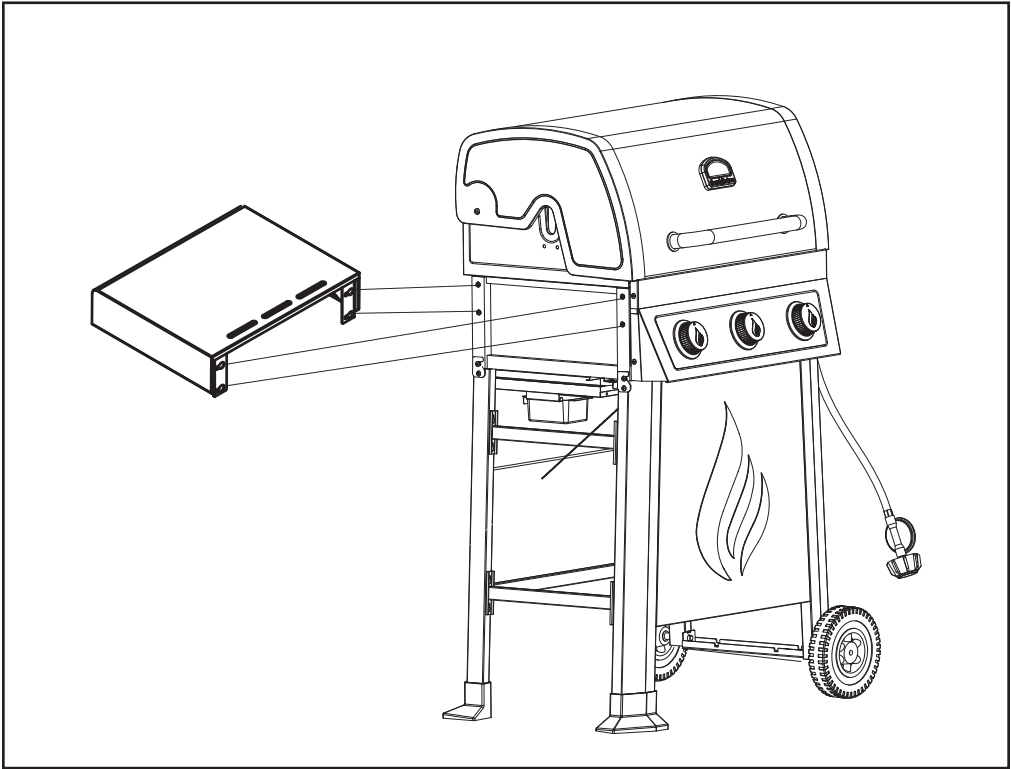
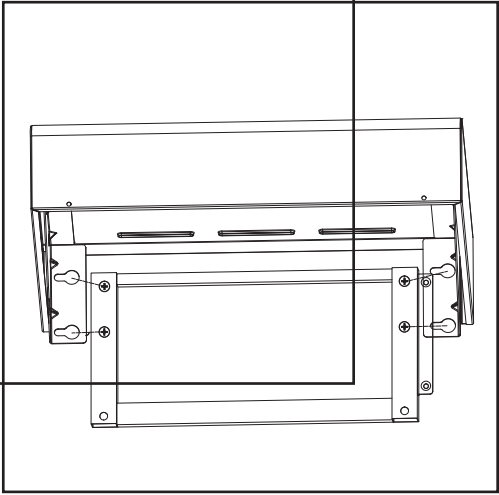
11





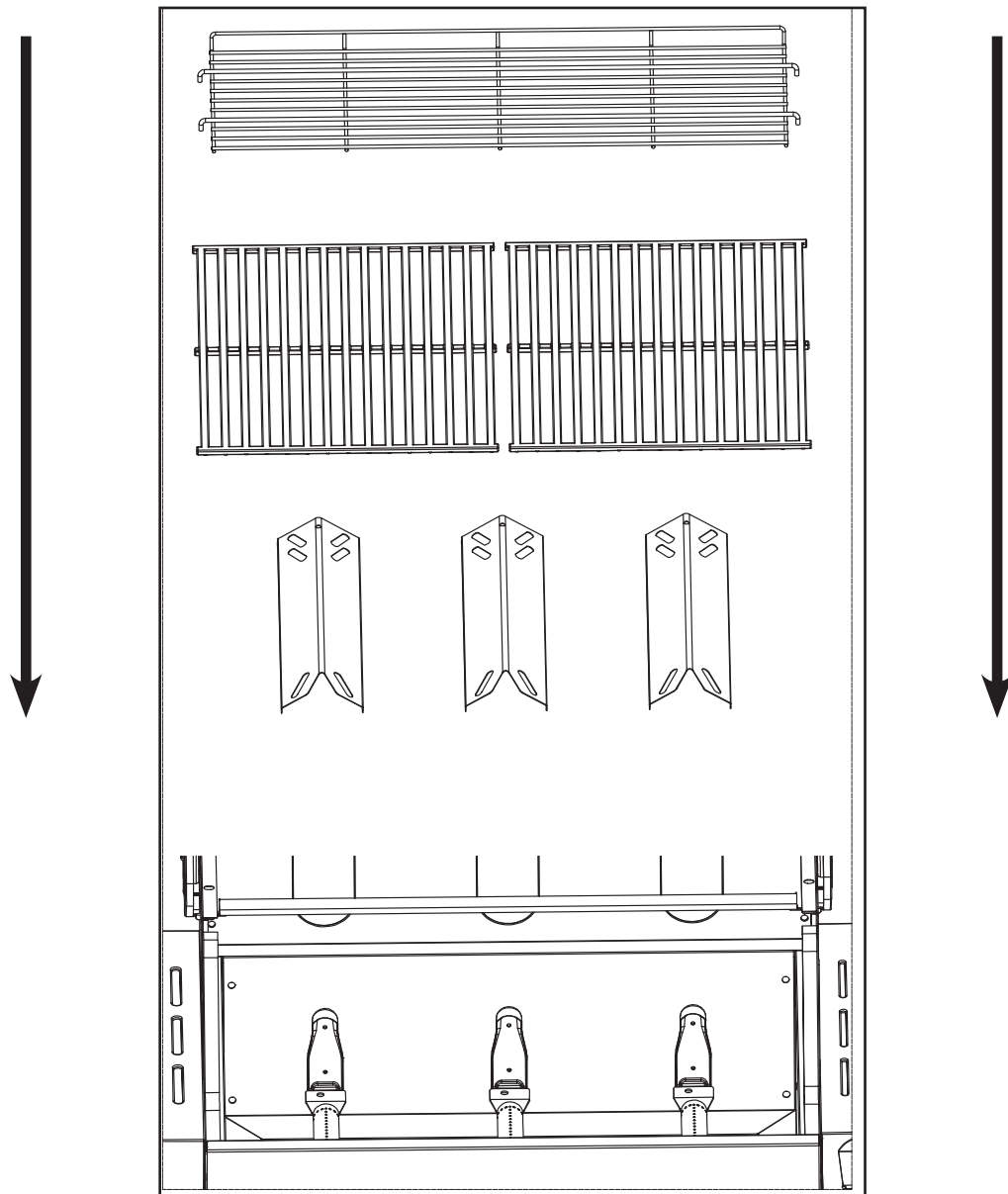
11a

14a



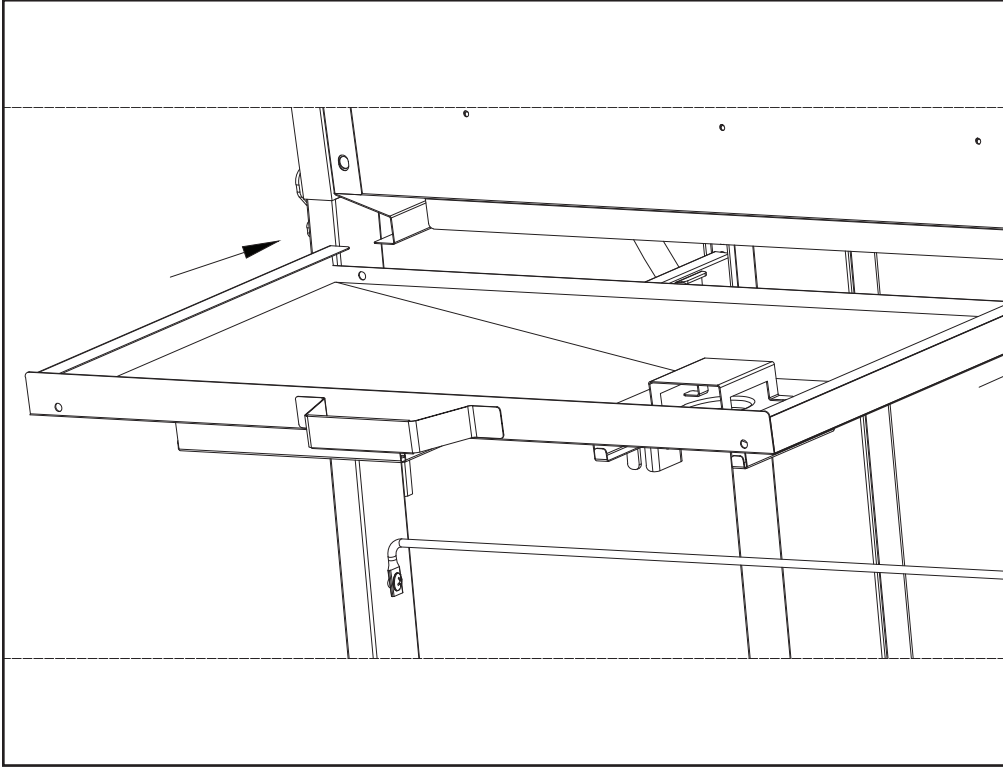
13

14

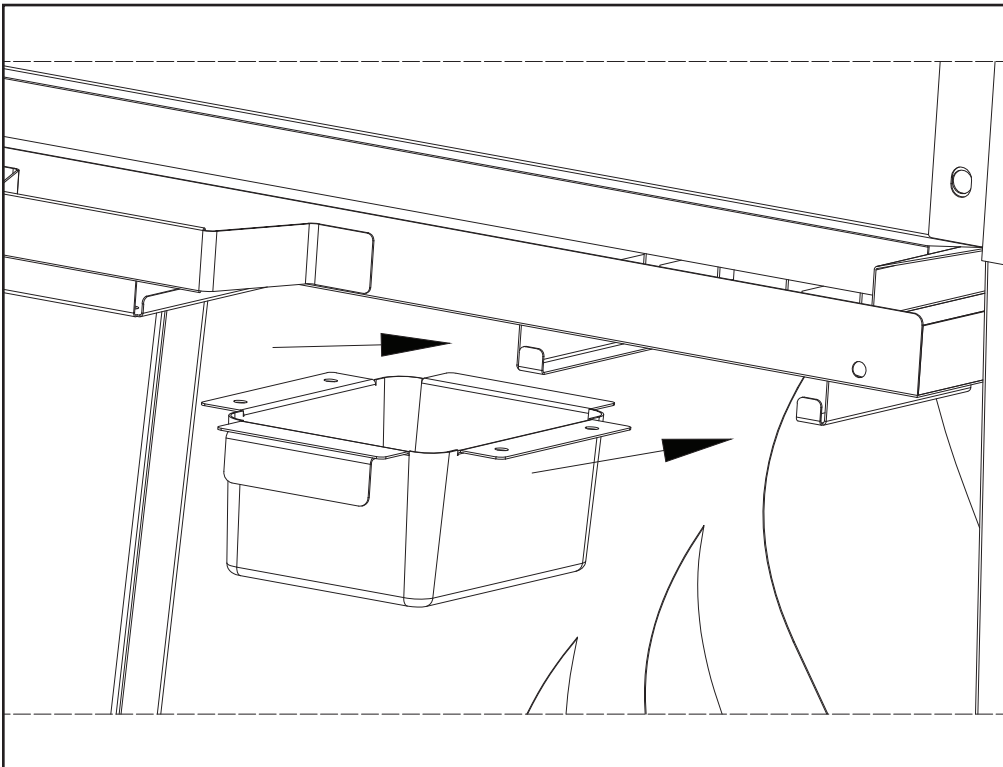


15

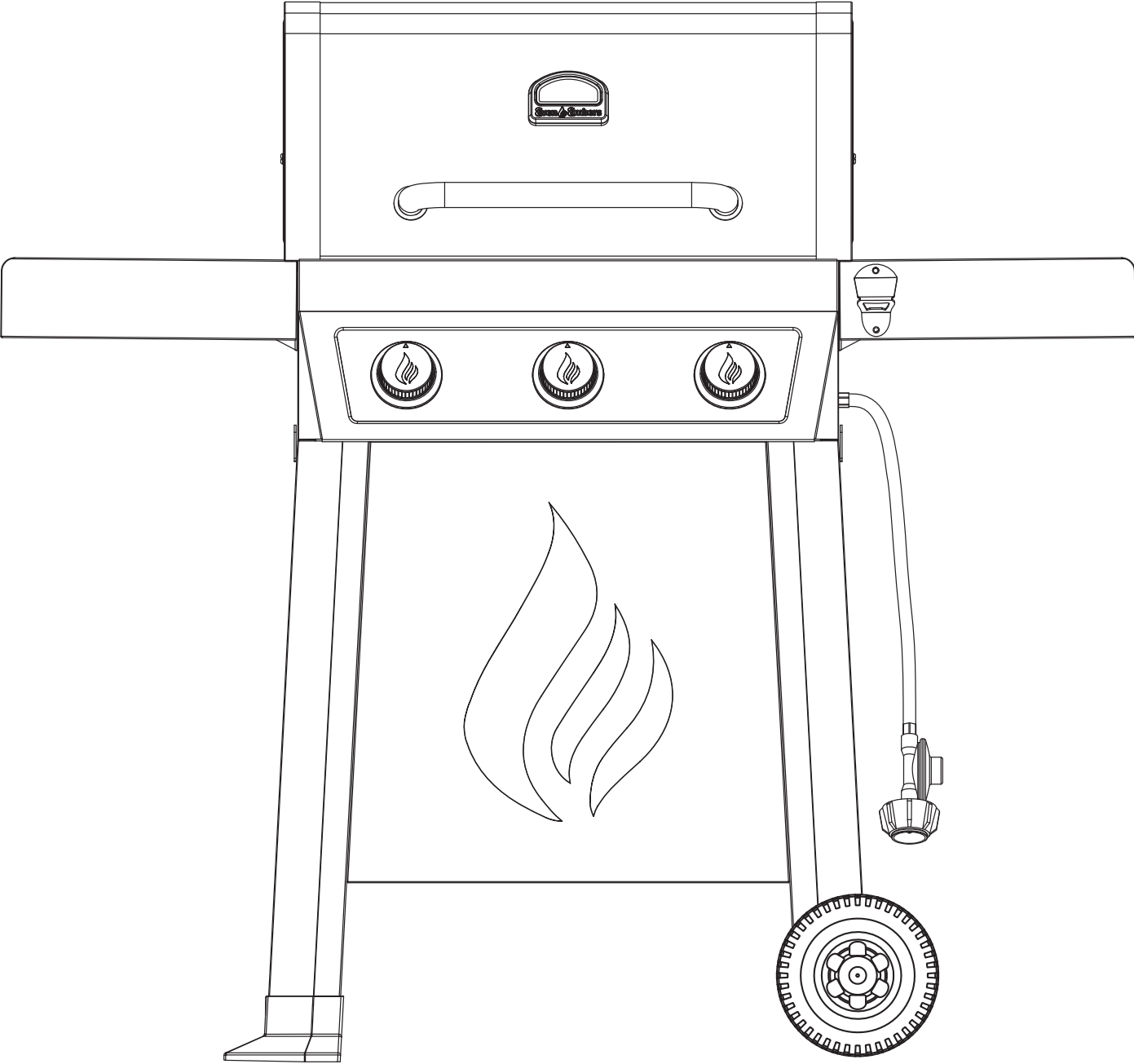
16



17



Even Embers GAS8330BS





# IMPORTANTES ADVERTENCIAS DE SEGURIDAD

ES NUESTRO DESEO QUE ARME Y UTILICE SU PARRILLA EN LA FORMA MÁS SEGURA POSIBLE. EL PROPÓSITO DE ESTE SÍMBOLO DE ALERTA DE SEGURIDAD  ES QUE USTED PRESTE ATENCIÓN A LOS POSIBLES PELIGROS CUANDO ARME Y UTILICE SU PARRILLA.

¡CUÁNDO VEA ESTE SÍMBOLO DE ALERTA DE SEGURIDAD  PRESTE ESPECIAL ATENCIÓN A LA INFORMACIÓN A CONTINUACIÓN!

 LEA DETENIDAMENTE TODAS LAS ADVERTENCIAS DE SEGURIDAD E INSTRUCCIONES ANTES DE ARMAR Y USAR LA PARRILLA.

## PELIGRO

### SI HUELE GAS:

1. Apague el gas al artefacto.
2. Apague cualquier llama expuesta.
3. Abra la tapa.
4. Si el olor persiste, subsistencia lejos de la aplicación y llame de inmediato a su proveedor de gas o a los bomberos.

## ADVERTENCIA

1. No guarde ni use gasolina ni otros líquidos inflamables con vapores en las cercanías de este o de ningún otro artefacto.
2. Un cilindro de propano líquido que no esté conectado para ser utilizado no debe ser mantenido cerca de éste o ningún otro artefacto.

## PELIGRO



- a) NO guarde un cilindro de gas de propano líquido de reserva debajo o cerca de este artefacto.
- b) Nunca llene el cilindro más de 80%.
- c) Si la información en (a) y (b) no se sigue exactamente, se puede producir un incendio y causar lesiones o hasta la muerte.

# TABLA DE CONTENIDOS:

|  |                |
|--|----------------|
| Advertencias Generales . . . . .   | .33-34         |
| Especificaciones e Instalación del Cilindro (Tanque) de Gas LP . . . . . | .34-36         |
| Especificaciones e Instalación del Regulador y la Manguera . . . . .     | .36-37         |
| Pruebas de Detección de Fugas . . . . .                                  | .37-38         |
| Lista de Comprobación Previa al Arranque. . . . .                        | 39             |
| Instrucciones de Encendido. . . . .                                      | .39-40         |
| Funcionamiento de la Parrilla. . . . .                                   | .41-42         |
| Utilizando Otras Funciones de la Parrilla. . . . .                       | 42             |
| Cuidado y Mantenimiento Adecuados. . . . .                               | .43-44         |
| Transporte y Almacenamiento . . . . .                                    | 45             |
| Solución de Problemas . . . . .  | .46-47         |
| Sugerencias para Cocinar con la Parrilla. . . . .                        | 48             |
| Instrucciones de Montaje. . . . .  | .19-30         |
| Información de la Garantía. . . . .                                      | Contracubierta |

- ⚠ PELIGRO:** Indica una situación inminentemente peligrosa que, de no evitarse, causará la muerte o lesiones graves.
- ⚠ ADVERTENCIA:** De no cumplir con estas instrucciones, esté alerta a la posibilidad de sufrir lesiones físicas graves. Cerciórese de leer y de seguir cuidadosamente todos los mensajes.
- ⚠ PRECAUCIÓN:** Indica una situación potencialmente peligrosa que, de no evitarse, puede causar lesiones menores o moderadas.

### **CALIFORNIA PROPOSICIÓN 65 ADVERTENCIA**

Este producto contiene químicos y cuando se usa, produce químicos, conocidos en el estado de California porque producen cáncer y defectos de nacimiento u otros daños reproductivos.

**¡ADVERTENCIA! CONTIENE PLOMO. PUEDE SER DAÑINO SI SE COME O SE MASTICA. PUEDE GENERAR POLVO CONTENIENDO PLOMO. CUMPLE CON LAS NORMAS FEDERALES.FUERA DEL ALCANCE DE LOS NIÑOS.**



# ADVERTENCIAS GENERALES:

## ⚠ ADVERTENCIA

- Antes de usar la parrilla por primera vez, pruebe todas las conexiones en busca de fugas, incluso si compró la parrilla totalmente armada y cada vez que vuelva a cargar el tanque. Inspeccione el sello de caucho del tanque de propano en busca de daños.
- Siempre inspeccione la parrilla y el tanque de propano antes de cada uso como se indica en las secciones “Pruebas de Detección de Fugas” y “Lista de Comprobación Previa al Arranque” de este manual.
- Nunca use gas natural en una unidad diseñada para usarse con gas propano líquido.
- Nunca use carbón, rocas volcánicas o briquetas de madera en una parrilla a gas. Los copos saborizantes deben colocarse en una caja para ahumar de metal para contener las cenizas y evitar incendios.
- Asegúrese de que las llamas salgan por todos los orificios de los quemadores en cada uso. Es común que las arañas y los insectos construyan sus nidos en los tubos de los quemadores. El bloqueo de los tubos de los quemadores puede evitar la circulación de gas a los quemadores, lo que podría causar un incendio en el tubo del quemador o debajo de la parrilla.
- Nunca inspeccione si hay fugas con un fósforo o con una llama.
- Nunca use o almacene gasolina, líquido para encender, diluyente de pintura, u otros líquidos o vapores inflamables o materiales combustibles en la parrilla o cerca de esta.
- NO bloquee las áreas de ventilación en los laterales, la parte posterior o el compartimiento del carrito de la parrilla.
- NO cubra las rejillas para cocinar u otros componentes con papel de aluminio, dado que esto bloquea la ventilación y puede ocasionar daños a la parrilla o lesiones personales.
- Nunca coloque más de 15 libras sobre las mesas laterales. NO se apoye en las mesas laterales. NO levante la parrilla de las mesas laterales.
- Mantenga a los niños y a las mascotas alejados de la parrilla caliente. NO permita que los niños usen la parrilla o jueguen cerca de esta.
- NO deje la parrilla sin supervisión cuando esté encendida o cuando se esté usando.
- NO permita que la manguera de gas entre en contacto con superficies calientes. De ser necesario, coloque la manguera de gas en otra dirección.
- NO permita que caiga grasa o que gotee material caliente sobre el conjunto del regulador y la manguera. Si ocurre esto, cierre el suministro de gas de inmediato. Antes de usar, vacíe el depósito/la batea para la grasa, limpie el conjunto del regulador y la manguera, e inspeccione si hay daños.
- Nunca cocine en la parrilla sin el depósito o la batea para la grasa en su lugar.
- Mantenga los cables de suministro eléctrico alejados del agua y de las superficies calientes.
- NO use agua para apagar un incendio de grasa. No cierre la tapa para apagar un incendio de grasa. Use un extintor de incendios de polvo químico tipo BC, o apáguelo con tierra, arena o bicarbonato.
- NO use la parrilla cuando esté bajo la influencia de drogas o alcohol.
- PARA USO EN EXTERIORES SOLAMENTE. NO la use en interiores o en un ambiente cerrado, como un edificio, garaje, un galpón o un corredor techado.
- Coloque la parrilla en un lugar bien ventilado al aire libre y sobre una superficie nivelada no combustible, a una distancia segura de 10 pies (3.1 m) de materiales combustibles, edificaciones y salientes.
- Habitantes de departamentos: Para usar la parrilla a gas LP en su complejo de departamentos, consulten a la administración y cumplan con los requisitos y los códigos de protección contra incendios. Utilícela solamente en exteriores y sobre el terreno (no en un balcón, un patio, un garaje, etc.), a una distancia mínima de 15 pies (4.6 m) de dorso y cada lado a cualquier pared, estructura o material combustible.
- Mantenga una distancia mínima de 36” (91 cm) entre todos los lados de la parrilla, las barandas de las terrazas de madera, las paredes u otros materiales combustibles. El incumplimiento de estas indicaciones sobre distancias puede evitar la correcta ventilación y aumentar el riesgo de incendio o de daño a la propiedad, lo que también podría causar lesiones personales. NO use la parrilla debajo de construcciones áreas combustibles.
- NO use ni instale esta parrilla en o sobre una embarcación o un vehículo de uso recreativo.
- NO construya este modelo de parrilla en una construcción empotrada o corrediza.
- Si usa un cepillo de cerdas para limpiar cualquiera de las superficies para cocinar, asegúrese de que no queden cerdas sueltas sobre dichas superficies antes de usar la parrilla, ya que las cerdas sueltas se pueden pegar a la comida.

- NO almacene artículos en el carrito que puedan prenderse fuego o dañar la parrilla (como químicos o suministros para piscinas, manteles, trozos de madera).
- Cuando la parrilla se usa, está caliente. Para evitar quemaduras:
  - NO intente mover la parrilla.
  - Trabe las ruedas de manera que la unidad no se mueva accidentalmente.
  - Use guantes protectores o manoplas para horno.
  - NO toque ninguna de las superficies calientes de la parrilla.
  - NO use ropa holgada ni permita que el cabello entre en contacto con la parrilla.
- La parrilla no es para uso comercial. NO use esta parrilla para ningún otro fin que para el que fue diseñada.

**⚠ CUANDO USE LA PARRILLA A GAS, TENGA CUIDADO Y USE EL SENTIDO COMÚN. DE NO CUMPLIRSE LAS ADVERTENCIAS DE SEGURIDAD Y LAS PAUTAS DE ESTE MANUAL, PODRÍAN OCACIONARSE LESIONES PERSONALES GRAVES O DAÑOS A LA PROPIEDAD. GUARDE ESTE MANUAL COMO REFERENCIA FUTURA.**

## **ESPECIFICACIONES E INSTALACIÓN DEL CILINDRO (TANQUE) DE GAS LP:**

### **⚠ ADVERTENCIA**

- SOLO conecte esta parrilla a una válvula de cilindro Tipo 1. La válvula Tipo 1 se puede identificar por las roscas externas grandes en la salida de la válvula.
- NO la conecte a un cilindro de propano con una capacidad superior a 20 lb (9.1 kg).
- NO la conecte a un cilindro que tenga cualquier otro tipo de dispositivo de conexión de válvula.
- Antes de usar, inspeccione el sello de caucho de la válvula del tanque de propano en busca de fisuras, desgaste o signos de deterioro. Un sello de caucho dañado puede causar una fuga de gas, lo que posiblemente derive en una explosión, un incendio o lesiones corporales graves.
- Cuando no use la parrilla, cierre la válvula del cilindro.
- Manipule el tanque con cuidado.
- Siempre asegure el cilindro en posición vertical.
- Nunca conecte a la parrilla un cilindro de gas LP que no cumpla con las reglamentaciones.
- NO exponga los cilindros de gas LP a fuentes de ignición o calor excesivo.
- NO almacene un cilindro de gas LP de repuesto debajo de la parrilla o cerca de esta.
- Permita que solo distribuidores de gas LP calificados llenen o reparen el cilindro de gas LP.
- Al cargar el cilindro, NO debe superarse el 80 % de su capacidad.
- Lea y siga todas las advertencias y las instrucciones incluidas en el cilindro y en este producto.

### **⚠ PELIGRO**

- NO almacene un cilindro de gas LP de repuesto (lleno o vacío) debajo de la parrilla o cerca de esta. Esto podría causar que se libere un exceso de presión a través de la válvula de descarga de vapor, lo que a su vez podría causar un incendio, una explosión o lesiones personales graves, incluida la muerte.
- El gas propano es más pesado que el aire y se acumula en las zonas bajas. Es extremadamente importante que la ventilación sea adecuada. Mantenga el o los orificios de ventilación del gabinete del cilindro de gas LP despejados y libres de obstrucciones y desechos.
- NO introduzca ningún objeto extraño en la salida de la válvula del cilindro, dado que esto podría dañar el sello de caucho. No use el tanque de propano si el sello de caucho está dañado. Un sello de caucho dañado puede causar una fuga de gas, lo que posiblemente derive en una explosión, un incendio, lesiones corporales graves o la muerte. Antes de usar, inspeccione el sello de caucho en busca de fisuras, desgaste o signos de deterioro.
- Mantenga siempre el cilindro (tanque) en posición vertical al usarlo, transportarlo o almacenarlo.

## ESPECIFICACIONES DEL CILINDRO (TANQUE) DE GAS LP:

### Cilindro de gas LP (no suministrado con esta parrilla)

El cilindro de gas LP (propano líquido) específicamente diseñado para usarse con esta parrilla debe tener 12" (30.5 cm) de diámetro x 18" (45.7 cm) de alto y una capacidad de 20 lb (9.1 kg), con una válvula del cilindro Tipo 1 y un dispositivo de protección contra sobrecarga (OPD).

Esta parrilla está diseñada para usarse con cilindros de 20 lb (9.1 kg) de marca Worthington, Manchester o SMPC. Los cilindros de otras marcas que cumplen con las especificaciones de DOT pueden adaptarse a esta parrilla si el anillo superior y el anillo inferior del cilindro tienen dimensiones similares.

La instalación de este electrodoméstico debe realizarse de acuerdo con:

Todos los códigos locales correspondientes o, ante la ausencia de códigos locales, ya sea:

- Código Nacional de Gas Combustible: ANSI Z223.1 NFPA 54
- Código de Instalación de Gas Natural y Propano: CAN/CGA B149.1
- Código de Instalación de Gas Natural: CAN/CGA B149.1 (Canadá)
- Código de Instalación de Gas Propano: CAN/CGA B149.2 (Canadá)

Para consultar los códigos locales, póngase en contacto con la compañía de gas natural o con el distribuidor de gas LP de su zona. Esta parrilla no fue diseñada para ser conectada a una línea de suministro de gas natural. Si se usa una fuente de alimentación eléctrica externa, debe conectarse eléctricamente a tierra conforme a los códigos locales o, de no existir tales códigos, conforme al Código Eléctrico Nacional, ANSI/NFPA 70, o al Código Eléctrico Canadiense, CSA 22.1.

Cuando compre o canjee un cilindro para la parrilla de gas, cerciórese de que esté construido y señalizado conforme a las especificaciones para cilindros de gas LP del Departamento de Transporte (DOT) de los Estados Unidos o de la norma nacional de Canadá CAN/CSA-B339 sobre cilindros, esferas y tubos para el transporte de mercancías peligrosas; y de la Comisión, según corresponda; y de que incluya un dispositivo de protección contra sobrecarga (OPD) registrado y un dispositivo de conexión del cilindro compatible con la conexión para artefactos de cocina para exteriores.

El cilindro debe estar equipado con:

- Una válvula de cierre con una salida de válvula del cilindro de gas Tipo 1.
- Una válvula Tipo 1 que evite que el gas circule hasta que se establezca un sello positivo.
- Un sistema para la extracción de vapor.
- Un collar para proteger la válvula de cierre del cilindro.
- Un dispositivo de carga de seguridad que tenga comunicación directa con el espacio de vapor del cilindro.
- Un dispositivo de protección contra sobrecarga (OPD) registrado.

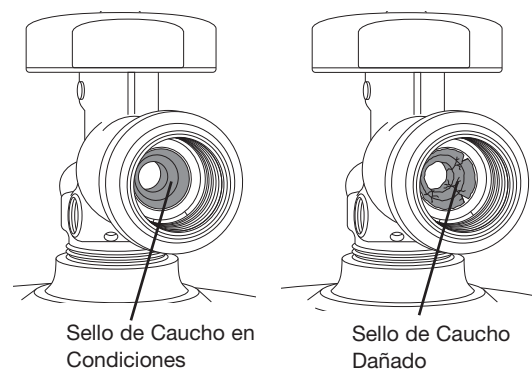
## CARGA DEL CILINDRO (TANQUE) DE GAS LP:

### **⚠ ADVERTENCIA**

- **Permita que solo distribuidores de gas LP registrados y calificados llenen o reparen adecuadamente el cilindro de gas LP.**
- **Antes de cargarlos, los tanques nuevos deben ser purgados; informe al distribuidor de gas LP si está usando un tanque nuevo.**
- **Al cargar el cilindro, NO debe superarse el 80 % de su capacidad. Los tanques sobre saturados pueden generar condiciones peligrosas. En los tanques sobrecargados se puede acumular presión y esto puede causar la emisión de vapores de gas propano a través de la válvula de descarga. El vapor es combustible y podría provocar una explosión que cause quemaduras graves, daños corporales o la muerte, si entra en contacto con una fuente de chispas o una llama.**
- **Cuando la parrilla no esté conectada al cilindro, siempre use una tapa protectora de cilindro.**
- **Si canjea un cilindro a través de un programa de canje calificado, el cilindro nuevo debe tener una válvula Tipo 1 y un dispositivo de protección contra sobrecarga (OPD).**
- **Antes de usar, inspeccione el sello de caucho de la válvula del tanque de propano en busca de fisuras, desgaste o signos de deterioro. Un sello de caucho dañado puede causar una fuga de gas, lo que posiblemente derive en una explosión, un incendio o lesiones corporales graves.**

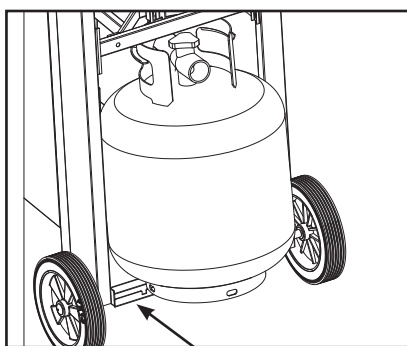
## INSPECCIÓN DEL SELLO DE CAUCHO DEL CILINDRO (TANQUE) DE GAS LP:

- Antes de usar, inspeccione el sello de caucho de la válvula del tanque de propano en busca de fisuras, desgaste o signos de deterioro. Un sello de caucho dañado puede causar una fuga de gas, lo que posiblemente derive en una explosión, un incendio o lesiones corporales graves.
- La inspección debe llevarse a cabo cada vez que el tanque de propano se conecta a la parrilla, se vuelve a cargar, se canjea o no se ha usado durante más de 60 días.
- No use un tanque de propano si el sello de caucho está dañado. Canjee el tanque o solicite el reemplazo del sello de caucho en un centro de carga de gas propano calificado.

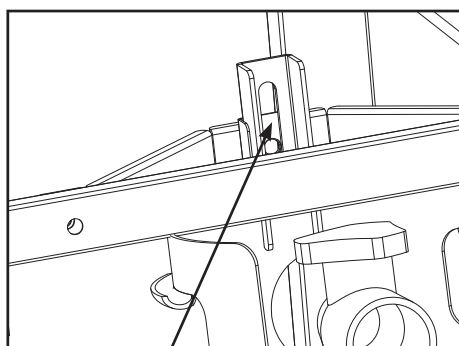


## INSPECCIÓN DEL SELLO DE CAUCHO DEL CILINDRO (TANQUE) DE GAS LP:

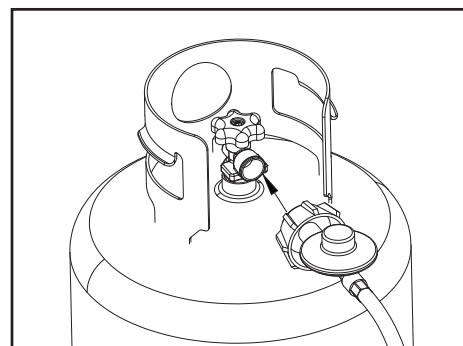
1. Verifique que la válvula del cilindro esté cerrada girando la perilla hacia la derecha. Inspeccione el sello de caucho de la válvula del cilindro en busca de fisuras o signos de deterioro. No use el tanque de propano si el sello está dañado, ya que podría ocurrir una fuga de gas.
2. Coloque el cilindro en las ranuras de la soporte de tanque en la parte inferior de las piernas derechas.
3. Oriente el cilindro de modo que la abertura de la válvula quede de frente al lado correcto de la parrilla y que la manguera no se dañe o quede retorcida. A continuación, deslice abrazadera del tanque de cilindro sobre la manija y asegure firmemente.



Soporte de soporte del tanque



Tanque de tanque



## ESPECIFICACIONES E INSTALACIÓN DEL REGULADOR Y LA MANGUERA:

### ⚠ ADVERTENCIA

- **NO** intente conectar el asador a ninguna otra fuente de suministro de combustible, como una línea de gas natural, ya que se compró para gas LP (propano). Para parrillas de doble combustible que pueden ser convertidas a gas natural, un juego de conversión Brinkmann debe ser adquirido e instalado para uso con gas natural. Por favor llame al servicio al cliente de Brinkmann al 855-735-9922 para averiguar si su parrilla puede ser convertida.
- **NO** use ningún otro conjunto de regulador de presión y manguera que no sea el suministrado con la parrilla. Como conjunto de regulador de presión y manguera de repuesto debe usar la parte n.º 8330-155-7600-0 que puede obtener a través del servicio de atención al cliente llamando al 855-735-9922.
- **NO** intente ajustar o reparar un regulador. El regulador está diseñado para funcionar a una presión de salida máxima de 11 pulgadas de columna de agua (2.74 kPa).
- Asegúrese de que la válvula del tanque esté **CERRADA** antes de conectar el cilindro de gas LP a la parrilla. Para cerrar la válvula correctamente, gire la perilla de la válvula hacia la derecha. Lea y siga todas las instrucciones y advertencias que se encuentran en las etiquetas de seguridad de la manguera de suministro. Antes de conectar el cilindro a la parrilla, lea y siga todas las advertencias incluidas en este manual con relación al uso seguro de los cilindros de gas LP, y del regulador y la

## REGULADOR Y MANGUERA:

La parrilla viene equipada con un dispositivo de conexión Tipo 1 con las siguientes características:

1. El sistema no permitirá la circulación de gas desde el cilindro hasta que se establezca una conexión positiva a la válvula.

Nota: La válvula del cilindro y todas las perillas de los quemadores de la parrilla deben estar cerradas antes de realizar o quitar cualquier conexión.

2. Cuando viene equipado y se activa, un dispositivo de restricción del flujo del regulador restringe la circulación de gas a 10 pies cúbicos por hora. Si se activa el dispositivo de restricción del flujo, lleve a cabo el procedimiento de restablecimiento del regulador.

Nota: Si la parrilla no se calienta lo suficiente como para cocinar, es posible que el dispositivo de restricción del flujo esté activado.

## CONEXIÓN DEL REGULADOR Y LA MANGUERA:

1. Antes de usar, inspeccione el sello de caucho de la válvula del tanque de propano en busca de fisuras, desgaste o signos de deterioro. Un sello de caucho dañado puede causar una fuga de gas, lo que posiblemente derive en una explosión, un incendio o lesiones corporales graves. No use un tanque de propano si el sello de caucho está dañado.
2. Conecte o desconecte el regulador del cilindro de gas LP solo cuando el cilindro esté apoyado en el sujetador del tanque.
3. Verifique que la válvula del cilindro esté cerrada girando la perilla hacia la derecha.
4. Verifique que las perillas de control de los quemadores de la parrilla estén en la posición "APAGADO".
5. Inspeccione visualmente el conjunto de la manguera antes de cada uso en busca de daños, desgaste excesivo o signos de deterioro. Si detecta alguna de estas condiciones, reemplace el conjunto antes de usar la parrilla. Solo debe usarse el repuesto suministrado por el fabricante.
6. Quite la tapa protectora de plástico de la válvula del cilindro.
7. Verifique que la manguera no tenga dobleces y que no esté en contacto con bordes filosos y con superficies que puedan calentarse durante el uso.
8. Sostenga el regulador e introduzca la boquilla de bronce en la salida de la válvula del cilindro de gas LP. Cerciórese de que el dispositivo esté centrado adecuadamente.
9. Gire la tuerca de acoplamiento grande manualmente y ajústela por completo. Tenga cuidado de no enroscar la tuerca de acoplamiento a la válvula del cilindro. No use herramientas para ajustar la conexión.  
Nota: Si no puede hacer la conexión, repita los pasos 7 y 8.
10. Antes de encender la parrilla, inspeccione todos los conectores en busca de fugas. Consulte la sección "Pruebas de Detección de Fugas" de este manual.

Nota: Para quitar el regulador del tanque de propano, apague la válvula del tanque y gire la tuerca grande de acoplamiento en sentido antihorario y quite.

## PROCEDIMIENTO DE RESTABLECIMIENTO DEL REGULADOR:

Si la parrilla no se calienta lo suficiente como para cocinar, es posible que el dispositivo de restricción del flujo esté activado.

Restablecimiento mínimo:

Coloque TODAS las perillas de control de los quemadores en la posición "APAGADO" y cierre la válvula del cilindro. Espere un minuto. Lentamente, abra la válvula del cilindro y vuelva a encender la parrilla. Si la llama de los quemadores es alta y la parrilla se calienta adecuadamente, proceda a cocinar.

Restablecimiento total:

Coloque TODAS las perillas de control de los quemadores en la posición "APAGADO" y cierre la válvula del cilindro. Desconecte el regulador y la manguera del cilindro. Espere dos minutos, vuelva a conectar el regulador y la manguera, y realice la prueba de detección de fugas.

## PRUEBAS DE DETECCIÓN DE FUGAS:

### ⚠ ADVERTENCIA

- **Nunca use la parrilla sin haber realizado las pruebas de detección de fugas en todas las conexiones de gas, las mangueras y el tanque de propano. Consulte la sección "Pruebas de Detección de Fugas" de este manual para conocer los procedimientos correctos.**



## ⚠ PELIGRO

Para prevenir los peligros vinculados con los incendios o explosiones:

- **NO fume ni permita que haya fuentes de ignición en la zona donde lleve a cabo una prueba de detección de fugas.**
- **Realice la prueba en un área bien ventilada AL AIRE LIBRE, protegida contra el viento.**
- **Nunca lleve a cabo una prueba de detección de fugas con un fósforo o una llama.**
- **Nunca lleve a cabo una prueba de detección de fugas con la parrilla en uso o aún caliente**

### CUÁNDO LLEVAR A CABO UNA PRUEBA DE DETECCIÓN

#### DE FUGAS:

- Después de armar la parrilla y antes de encenderla por primera vez, incluso se la compró totalmente armada.
- Cada vez que el cilindro de gas LP se vuelve a cargar o se canjea, o si se desconecta o se reemplaza cualquiera de los componentes de gas.
- Siempre que mueva la parrilla de lugar.
- Al menos una vez al año o si la parrilla no se usó durante más de 60 días.

### ⚠ INSPECCIÓN PARA DETECTAR FUGAS:

**PRECAUCIÓN:** Los olores fuertes, los resfriados, la congestión de los senos paranasales, entre otras cosas, pueden impedir la detección de gas propano por medio del olfato. Tenga cuidado y use el sentido común al realizar las pruebas de detección de fugas.

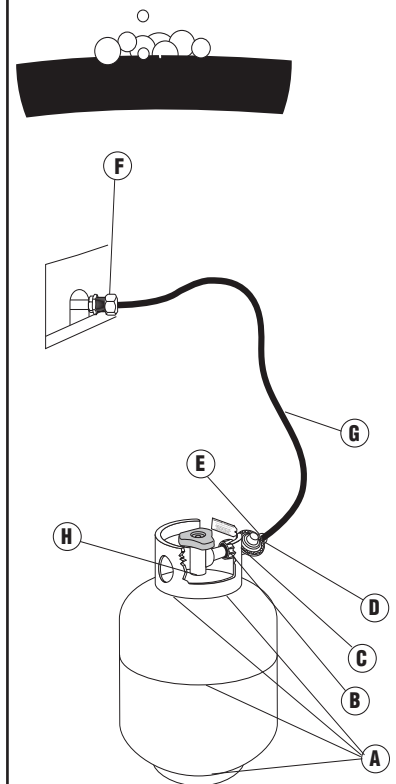
Nota: La prueba de detección de fugas debe llevarse a cabo en áreas correctamente iluminadas para poder ver si se hacen burbujas, y en áreas sin viento y sin ruidos para poder detectar las fugas más grandes por medio del olfato o del oído.

1. Haga una mezcla de 50% de agua y 50% de jabón líquido para lavar platos.
2. Abra la tapa.
3. Asegúrese de que las perillas de control estén en la posición "APAGADO".
4. Permita que circule gas a través la válvula del cilindro. Para ello, gire la perilla de la válvula del cilindro hacia la izquierda hasta abrirla por completo. Si escucha un zumbido o huele gas, apague el gas. Ajuste las conexiones que tengan fugas. Si la fuga se detecta en la tuerca de conexión y ajustarla no detiene la fuga, vuelva a inspeccionar el sello de caucho del tanque de propano.
5. Aplique la mezcla de agua jabonosa a lo siguiente:
  - (A) Soldadura del tanque (cilindro) de suministro.
  - (B) Tuerca de conexión a la válvula del tanque.
  - (C) Lado posterior de la tuerca de conexión al niple de latón.
  - (D) Conexión del niple de latón al regulador.
  - (E) Conexiones del regulador a las mangueras de suministro de gas.
  - (F) Conexión de la manguera al múltiple de gas.
  - (G) El largo completo de la manguera de suministro de gas.
  - (H) Válvula del tanque al cilindro
6. Verifique cada lugar enumerado (A-H para detectar la formación de burbujas que indiquen una fuga de gas. Es posible que las fugas grandes no se detecten por medio de burbujas, sino que produzcan un sonido de ráfaga u olor a gas.
7. Cierre el suministro de gas en la válvula del cilindro.
8. Abra las perillas de control para liberar la presión de gas en la manguera.
9. Coloque las perillas de control en la posición "APAGADO".
10. Ajuste las conexiones con fugas. Si la fuga se detecta en la tuerca de conexión y ajustarla no detiene la fuga, vuelva a inspeccionar el sello de caucho del tanque de propano (consulte la página 33).
11. Repita la prueba con el agua jabonosa hasta que no se detecten más fugas.
12. Cierre el suministro de gas en la válvula del cilindro hasta que usted esté listo para usar la parrilla.
13. Enjuague los residuos jabonosos con agua fría y seque con una toalla.
14. Antes de encender la parrilla, espere 5 minutos para que todo el gas se disipe del área.



**ADVERTENCIA:** NO use la parrilla si no puede detener las fugas. Póngase en contacto con un centro de servicios de reparación de artefactos de gas calificado.

Watch For Bubbles



# LISTA DE COMPROBACIÓN PREVIA AL ARRANQUE:

## ⚠ PELIGRO

Si no se siguen estos pasos, pueden ocurrir daños a la propiedad, lesiones corporales, quemaduras graves y la muerte. Estos pasos deben llevarse a cabo después de que la parrilla se armó y antes de cada uso. **NO** use esta parrilla hasta haber leído y entendido **TODAS** las advertencias y las instrucciones incluidas en este manual.

- Asegúrese de que la parrilla esté correctamente armada.
- Antes de usar, inspeccione la manguera de suministro de gas para detectar quemaduras, desgaste y dobleces, y para verificar si está correctamente dispuesta. Si observa una abrasión o un desgaste excesivos evidentes, o si la manguera está cortada, debe reemplazarla antes de usar la parrilla. Reemplácela por el modelo de regulador y manguera n.º 8330-155-7600-0, que puede obtener a través del servicio de atención al cliente llamando al 855-735-9922.
- Inspeccione todas las conexiones de gas, la manguera y el tanque de propano en busca de fugas. Consulte la sección “Pruebas de Detección de Fugas”.
- Asegúrese de que todos los cables de suministro eléctrico estén correctamente puestos a tierra. Mantenga los cables de suministro eléctrico y la manguera de suministro de gas combustible alejados de las superficies calientes. La manguera debe estar al menos a 3” de las superficies calientes.
- Coloque la parrilla en un lugar bien ventilado sobre una superficie nivelada no combustible, a una distancia segura de 10 pies (3.1 m) de materiales combustibles, edificaciones y salientes.
- Coloque correctamente el depósito para la grasa vacío debajo del orificio de drenaje de la grasa en la parte inferior de la parrilla para recoger la grasa durante el uso.
- **NO** bloquee las áreas de ventilación en los laterales, la parte posterior o el compartimiento del carrito de la parrilla.

## INSTRUCCIONES DE ENCENDIDO:

### ⚠ ADVERTENCIA

Lea, entienda y siga todas las advertencias y las instrucciones incluidas en este manual. **NO** omita ninguna instrucción ni advertencia contenida en las secciones precedentes de este manual. Siga las instrucciones con exactitud.

1. **ABRA LA TAPA DE LA PARRILLA** antes de intentar encender un quemador para que no se acumule humo en el interior de la parrilla. Si la tapa está cerrada, podría ocurrir una explosión.
2. Verifique que todas las perillas de control de los quemadores y la válvula de cilindro estén en la posición “**APAGADO**”.
3. Abra el suministro de gas combustible girando lentamente la perilla de la válvula del cilindro hacia la izquierda hasta que esté completamente abierta.
4. **NO** apoye la cabeza, el cuerpo o los brazos sobre la parrilla cuando esté encendida.

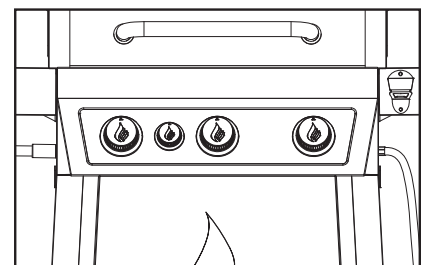
### ENCENDIDO DE LOS QUEMADORES PRINCIPALES:

1. Abra la tapa antes de encender un quemador.
2. Asegúrese de que todas las perillas de control estén en la posición “**APAGADO**”.
3. Seleccione el quemador a encender. Presione y mantenga la perilla presionada y **LENTAMENTE** (2 a 3 segundos) pongala en la posición “**ALTO**”. Deberá oír el click del encendedor.

Nota: Puede ser que el paso 3 deba ser repetido 2-3 veces.

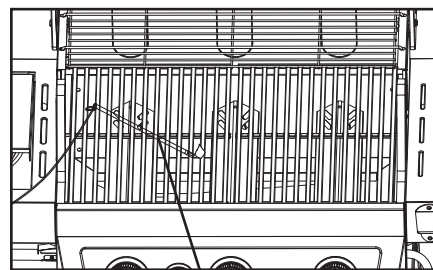
4. Si la ignición **NO** ocurre en el plazo de 5 segundos, gire la perilla de control a la posición “**APAGADO**”, espere 5 minutos para que el gas se disipe y repita el procedimiento de encendido.
5. Para encender los otros quemadores, siga los pasos 3-4.
6. Si el quemador no enciende usando el encendedor, mira la sección “Encendido de los Quemadores Principales con Fósforos”
7. Para apagar, gire cada perilla a la derecha hasta que se traben en la posición “**APAGADO**”. Esto no apaga el fluido de gas del cilindro.

Nota: Si el quemador no prende o si la llama es muy baja, mire la sección de “**SOLUCIÓN DE PROBLEMAS**”.



## ENCENDIDO DE LOS QUEMADORES PRINCIPALES CON FÓSFOROS:

1. Abra la tapa antes de encender un quemador.
  2. Asegúrese de que todas las perillas de control estén en la posición “APAGADO”.
  3. Remueva el encendedor de cerillo localizado en el panel superior del frente del carrito como ilustrado.
  4. Coloque un fósforo de papel en el extremo del encendedor. Encienda el fósforo e introdúzcalo en el orificio de encendido en el costado izquierdo de la parrilla a aproximadamente 1/2” (de 1 cm a 2 cm) del quemador.
  5. Gire la perilla de control del quemador a prender a la posición “ALTO”. El quemador debería encenderse en 5 segundos.
  6. Si el quemador no se enciende, gire la perilla de control a la posición “APAGADO”, espere 5 minutos para que el gas se disipe y repita el procedimiento de encendido.
  7. Una vez encendido, encienda los quemadores al lado siguiendo pasos 4-6.
  8. Si el quemador no se enciende en uno de los primeros intentos de encendido con un fósforo, hay un problema con el suministro de gas. Cierre el suministro de gas en el quemador y en el cilindro. NO intente usar la parrilla hasta que el problema se haya detectado y corregido.
- Nota: Si el quemador no se enciende o la llama es muy baja, consulte la sección “Solución de problemas” del manual del propietario.



Encender el fósforo

## FUNCIONAMIENTO DE LA PARRILLA:

### ⚠ ADVERTENCIA

- Lea y siga todas las advertencias y las instrucciones incluidas en las secciones anteriores de este manual.
- Nunca use carbón, rocas volcánicas o briquetas de madera en una parrilla a gas. Los copos saborizantes deben colocarse en una caja para ahumar de metal para contener las cenizas y evitar incendios.
- NO cubra las rejillas para cocinar u otros componentes con papel de aluminio, dado que esto bloquea la ventilación y puede ocasionar daños a la parrilla o lesiones personales.
- NO deje la parrilla sin supervisión cuando esté encendida o cuando se esté usando.
- NO mueva la parrilla cuando se esté usando.
- NO use agua para apagar un incendio de grasa. No cierre la tapa para apagar un incendio de grasa. Use un extintor de incendios de polvo químico tipo BC, o apáguelo con tierra, arena o bicarbonato.
- Nunca cocine en la parrilla sin el depósito o la batea para la grasa en su lugar

### PUESTA A PUNTO DE LA PARRILLA:

- Como consecuencia de la fabricación y para la preservación de los componentes de la parrilla, es posible que haya residuos de aceite en los quemadores y en las superficies para cocinar de la parrilla.
- Antes de cocinar en la parrilla por primera vez, debe precalentarla durante 15 minutos en la posición “ALTO” para quemar estos aceites residuales hasta eliminarlos.

### PRECALENTAMIENTO DE LA PARRILLA:

- Antes de cada uso, es recomendable que precaliente la parrilla. Esto garantiza que las superficies de la parrilla tengan la temperatura deseada para dorar los azúcares de los alimentos al cocinar. Después de encender la parrilla, coloque las perillas de control de los quemadores en la posición “ALTO” durante 5 a 10 minutos. Durante el período de precalentamiento, cierre la tapa.

### CONTROL DE LAS LLAMARADAS Y LOS INCENDIOS DE GRASA:

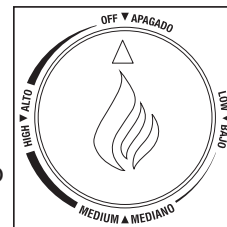
- Las llamaradas forman parte de cocinar carne en una parrilla a gas. Es lo que contribuye al sabor único de cocinar en una parrilla a gas. Tenga cuidado al abrir la tapa, dado que pueden generarse llamaradas repentinas. Un exceso de llamaradas puede recocer la comida y causar una situación peligrosa para usted y para la parrilla. Las llamaradas excesivas ocurren como consecuencia de la acumulación de grasa en la parrilla. De ocurrir esto, NO vierta agua sobre las llamas. Esto puede causar salpicaduras de grasa que pueden conllevar quemaduras o daños corporales graves.



- Si ocurre un incendio de grasa, deje la tapa abierta, gire las perillas de los quemadores a la posición “APAGADO” y cierre la válvula del cilindro de gas LP. Si es posible, reubique la comida en una sección diferente de la rejilla para cocinar y deje que la grasa arda hasta consumirse o apague las llamas con bicarbonato.
- Si ocurre un incendio de grasa con la tapa cerrada, deje la tapa cerrada, ya que una corriente de aire repentina puede aumentar las llamas. Coloque las perillas de los quemadores en la posición “APAGADO” y cierre la válvula del cilindro de gas LP. Deje que la grasa arda hasta consumirse.
- Nunca vierta agua en un incendio de grasa, dado que la grasa puede salpicar o esparcirse, y provocar lesiones corporales o daños a la propiedad.
- Si el incendio de grasa no se consume rápidamente, o aumenta o se esparce, use un extintor de incendios de polvo químico tipo BC, o apáguelo con tierra, arena o bicarbonato. No cierre la tapa para apagar un incendio de grasa.

### PARA MINIMIZAR LAS LLAMARADAS:

- Quítele el exceso de grasa a la carne antes de cocinarla.
- Cocine carnes con alto contenido de grasa (pollo o cerdo) con una llama baja o indirectamente.
- Asegúrese de que la parrilla esté sobre una superficie nivelada y de que la grasa pueda escurrirse por la parrilla a través del orificio de drenaje en la parte inferior hasta el depósito o la batea para la grasa.
- Limpie la parrilla con frecuencia para minimizar la acumulación de grasa.



### COCCIÓN INDIRECTA:

- La cocción indirecta es el proceso que le permite cocinar la comida sin que esta esté directamente sobre la fuente de calor. Puede dorar la carne sobre una llama alta en un lado de la parrilla y cocinar lentamente un asado en el otro lado de la parrilla (sin encender).

### COCCIÓN CON ASADOR:

- La parrilla tiene orificios preperforados de fábrica para montar un asador (se vende por separado). No use ningún asador que no haya sido fabricado específicamente para esta parrilla.
- Lea y siga todas las instrucciones provistas con el asador. Guarde las instrucciones como referencia futura.
- No use el quemador lateral cuando use un asador.

## ⚠ ADVERTENCIA

- Cuando use un asador para corriente CA, debe estar puesto eléctricamente a tierra conforme a los códigos locales o, de no existir tales códigos:
  - En los Estados Unidos: El Código Eléctrico Nacional, ANSI-NFPA n.º 70, última edición
  - En Canadá: El Código Eléctrico Canadiense, CSA C22.1
- El asador viene equipado con un enchufe de tres patillas para proteger contra descargas eléctricas. Este enchufe debe enchufarse directamente en un tomacorriente para enchufes de tres patillas correctamente puesto a tierra. Nunca corte o quite el enchufe con toma de tierra. Si usa un cable de extensión, también debe tener un tomacorriente para enchufes tres patillas.
- Todos los cables de suministro eléctrico deben mantenerse alejados del agua y de las superficies calientes de la parrilla.

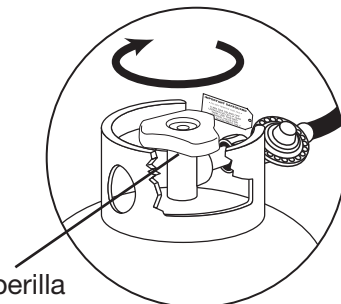
### APAGADO DE LA PARRILLA:

1. Cierre la válvula del cilindro.
2. Coloque todas las perillas de control de los quemadores en la posición “APAGADO”.

Nota: Primero cierre el cilindro de gas LP para evitar que quede gas en el sistema bajo presión.

- ⚠ PRECAUCIÓN:** Cuando la parrilla no se usa, la válvula del cilindro debe estar siempre en la posición “APAGADO” o cerrada.

Para cerrar la válvula del cilindro, gire la perilla hacia la derecha hasta que haga tope.



# USO DE OTRAS FUNCIONES DE LA PARRILLA:

## ⚠ ADVERTENCIA

- Lea las instrucciones de encendido de la parrilla para encender el quemador lateral.
- Nunca cierre la cubierta del quemador lateral cuando el quemador esté encendido.
- Cuando cocine en el quemador lateral, use una olla de 10" de diámetro o más pequeña SIN un mango extendido. Centre la olla en el quemador.
- Nunca coloque más de 15 libras sobre el quemador lateral. El quemador lateral no está construido para soportar un peso superior a 15 libras.
- Tenga cuidado de no sacudir la parrilla, el quemador lateral o la olla para evitar que se derrame el contenido de la olla, lo que posiblemente cause quemaduras graves.
- NO use el quemador lateral para freír comida en aceite a fin de evitar los peligros asociados con la ignición de aceite, lo que puede crear una situación muy peligrosa.

## CUIDADO Y MANTENIMIENTO ADECUADOS:

- ⚠ **ADVERTENCIA:** Si usa un cepillo de cerdas para limpiar cualquiera de las superficies para cocinar, asegúrese de que no queden cerdas sueltas sobre dichas superficies antes de usar la parrilla, ya que las cerdas sueltas se pueden pegar a la comida.

### LIMPIEZA DEL INTERIOR DE LA PARRILLA:

- Recomendamos limpiar los residuos de comida inmediatamente después de cocinar raspando con cuidado las rejillas con un cepillo de cerdas de alambre y luego encender los quemadores en la posición "ALTO" durante unos 5 minutos.
- Asegurarse que las brasas estén completamente extinguidos y la unidad se haya enfriado adecuadamente antes de la limpieza.
- Limpieza de la parrilla después de cada uso es necesario.

- ⚠ **ADVERTENCIA:** NO deje la parrilla sin supervisión cuando está encendida. Use manoplas para horno para protegerse contra las quemaduras.

- El calor de los quemadores quemará la mayor parte de los residuos de comida y grasa de las rejillas y los difusores de calor, y los convertirán en una sustancia tipo ceniza que caerá al fondo de la caja de fuego o en la batea para la grasa. Después de que la parrilla se enfríe (aproximadamente 30 minutos), quite las rejillas y los difusores de calor, y cepille las cenizas y la grasa de la caja de fuego. Limpie y vuelva a colocar el depósito para la grasa. Antes de volver a colocar los difusores de calor en la parrilla, inspecciónelos en busca de daños o signos de deterioro. (Para solicitar repuestos, llame al 855-735-9922).
- Si lo desea, lave las rejillas y los difusores de calor con un detergente suave y enjuáguelos con agua caliente periódicamente.

- ⚠ **PRECAUCIÓN:** NO deje residuos de cenizas en la batea para la grasa o en la caja de fuego, ya que esto puede evitar el correcto drenaje de la grasa de la parrilla.

### INTERIOR DE LA TAPA DE LA PARRILLA:

- Dentro de la tapa de la parrilla se acumulará humo, que puede caer sobre la comida. Limpie el interior de la tapa de la parrilla con un cepillo para fregar, y una solución de agua y bicarbonato. Séquela minuciosamente. No confunda esto con pintura. El interior de las tapas de las parrillas a gas no se pinta.

### MANTENIMIENTO EXTERIOR DE LA PARRILLA:

- Para proteger la parrilla contra el exceso de óxido, la unidad debe mantenerse limpia y cubierta siempre que no se use.
- Superficies pintadas. Lávelas con un detergente suave o un limpiador no abrasivo y agua tibia jabonosa.
- Superficies de acero inoxidable. Para mantener la apariencia de la parrilla, lávelas con un detergente suave y agua tibia jabonosa, y séquelas con un paño suave después de cada uso. Es posible que para los depósitos de grasa pegada se necesite una esponja abrasiva de plástico. Úsela solo en la dirección del acabado pulido para evitar daños. No use la esponja abrasiva en las áreas con gráficos. Para proteger el acabado exterior de la parrilla, puede usar cera para auto.
- Superficies de porcelana. Debido a la composición similar al vidrio, la mayoría de los residuos pueden limpiarse con una solución de agua y bicarbonato o con un limpiador espacialmente formulado. Use un polvo limpiador no abrasivo, como bicarbonato, para las manchas difíciles.
- Partes de plástico y de caucho. Lávelas con agua tibia jabonosa y séquelas. En las partes de plástico, no use citrisol, limpiadores abrasivos, desengrasantes ni limpiadores para parrilla concentrados. Esto podría conllevar daños y el mal funcionamiento de algunas partes.

## ÓXIDO:

- Como resultado de las altas temperaturas de cocción, los adobos ácidos, los incendios de grasa, y la exposición a climas costeros u a otros elementos naturales, puede observarse decoloración, óxido o picaduras de óxido.
- Las manchas de óxido en la superficie interior se pueden pulir, limpiar y cubrir ligeramente con aceite vegetal o con aceite vegetal en aerosol para minimizar la oxidación.
- Nunca use limpiadores que contengan cloro ni almacene químicos o suministros para piscinas en el compartimiento del carrito, ya que el cloro promueve el óxido.

## LIMPIEZA Y MANTENIMIENTO DE LOS QUEMADORES:

- Mantenga el artefacto libre de materiales combustibles, gasolina, y otros líquidos y vapores inflamables.
- Mantenga las aberturas de ventilación del gabinete del cilindro despejadas y libres de desechos.
- Inspeccione visualmente las llamas de los quemadores para corroborar su correcto funcionamiento (vea el gráfico ilustrativo en el apartado “Conjunto de los Quemadores/Mantenimiento” de la sección “Cuidado y Mantenimiento Adecuados”). Las arañas y otros insectos pueden construir sus nidos en los quemadores, lo que ocasionaría un bloqueo del gas.
- Para cocinar en forma segura y obtener el máximo rendimiento de la parrilla, realice estas verificaciones al menos dos veces al año o después de periodos prolongados de almacenamiento.
- Asegúrese de ajustar todas las piezas metálicas (tuercas, pernos, tornillos, etc.) al menos dos veces al año.

**PRECAUCIÓN:** Algunas piezas pueden contener bordes filosos. De ser necesario, use guantes protectores.

- Quite los rejillas, las placas de distribución de calor y los quemadores del interior de la parrilla. Use un cepillo con agua caliente y detergente para quitar el exceso de residuos. NUNCA use un limpiador para horno comercial. Enjuague bien con agua. Use una toalla para secar y vuelva a colocar todos los componentes, según se describe en las instrucciones de montaje.

## CONJUNTO DE LOS QUEMADORES/

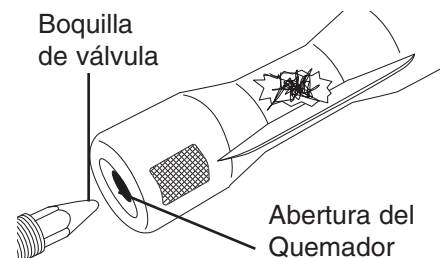
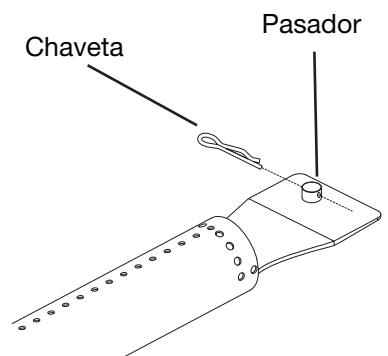
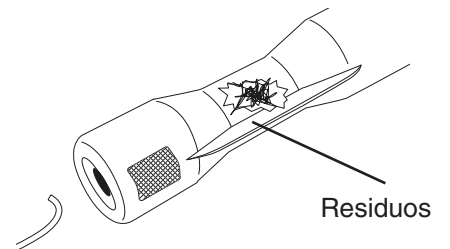
### MANTENIMIENTO:

- Si bien los quemadores están hechos de acero inoxidable, pueden corroerse como resultado del calor extremo y de los ácidos derivados de la cocción de comida. Periódicamente, inspeccione los quemadores en busca de fisuras, orificios anormales y otros signos de deterioro por corrosión. De encontrarlos, reemplace el quemador.
- NO bloquee las áreas de ventilación en los laterales, la parte posterior o el compartimiento del carrito de la parrilla. Las arañas y otros insectos pueden construir sus nidos en los tubos de los quemadores y pueden bloquearlos. El bloqueo de los tubos de los quemadores puede evitar la circulación de gas a los quemadores, lo que podría causar un incendio en el tubo del quemador o debajo de la parrilla. Para limpiar o reemplazar piezas del conjunto de los quemadores, o si tiene problemas para encender la parrilla, siga estas instrucciones.

1. Cierre el suministro de gas en las perillas de control y en la válvula del cilindro (tanque) de gas LP.
2. Quite los rejillas y las placas de distribución de calor.
3. Remueva la chaveta y el pasador de cada quemador
4. Con cuidado, levante y quite cada quemador de las aberturas de las válvulas.
5. Use un cepillo para botella angosto o un alambre duro doblado en un gancho pequeño para pasarlo a través del tubo de cada quemador, o sople aire comprimido dentro del tubo de cada quemador en los puertos de las llamas. Inspeccione cada puerto para asegurarse de que el aire salga por cada orificio.

**PRECAUCIÓN:** Cuando use aire comprimido, use guantes protectores.

6. Use un cepillo de alambre para limpiar toda la parte exterior de los quemadores, y quitar la suciedad y los residuos de comida.
7. Inspeccione los quemadores en busca de daños; en el caso de detectar fisuras o agujeros, reemplácelos.



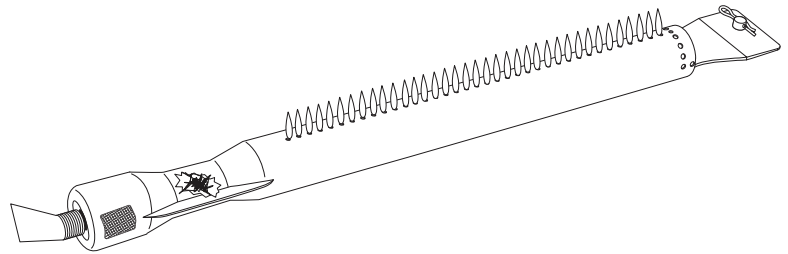
8. Instale los quemadores en la parrilla y, oriente los quemadores CORRECTAMENTE.

**IMPORTANTE:** La abertura del quemador debe deslizarse sobre la boquilla de la válvula.

9. Coloque las chavetas de vuelta en sus lugares.

Nota: Siga las instrucciones de la sección “Pruebas de Detección de Fugas” incluidas en este manual.  
Vuelva a encender los quemadores para verificar que funcionen correctamente.

10. Vuelva a colocar las placas de distribución de calor y los rejillas.



**ALINEACIÓN CORRECTA DE  
LA VÁLVULA Y EL QUEMADOR**

Nota: Altura de la llama normal es 1" al 2"

## **TRANSPORTE Y ALMACENAMIENTO:**

### **⚠ ADVERTENCIA**

- **Nunca mueva una parrilla cuando está caliente o cuando se usa.**
- **Asegúrese de que la válvula del cilindro esté cerrada y de que las perillas de los quemadores estén en la posición apagado.**
- **NO almacene un cilindro de gas LP de repuesto (lleno o vacío) debajo de la parrilla o cerca de esta.**
- **Nunca almacene líquidos inflamables o aerosoles debajo de la parrilla o cerca de esta.**
- **Si el artefacto de cocina a gas para exteriores no se usa, el suministro de gas debe estar cerrado en el cilindro de gas LP.**
- **Un artefacto de cocina a gas para exteriores solo se puede almacenar en interiores si el cilindro se desconectó y se quitó del artefacto de cocina a gas para exteriores.**
- **Los cilindros no deben almacenarse en edificaciones o cerramientos, incluidos garajes y galpones.**
- **Los cilindros deben mantenerse fuera del alcance de los niños.**

### **ANTES DE ALMACENAR LA PARRILLA:**

- Asegúrese de que la válvula del cilindro esté totalmente cerrada.
- Limpie todas las superficies. Cubra ligeramente los quemadores con aceite para cocinar para evitar la oxidación en exceso.
- Si almacena la parrilla en interiores, desconecte el tanque de gas LP y déjelo AL AIRE LIBRE.
- Ponga la tapa para polvo sobre la salida del cilindro de válvula cuando el cilindro no esté en uso. Solamente use la tapa para polvo proporcionada con el cilindro de válvula. Otro tipo de tapa o tapón puede resultar and fugas de propano.
- Inspeccione y limpie los quemadores antes de usar después de almacenar, al comienzo de la temporada de parrilladas o después de no haberlos usado durante un período. Es común que las arañas y los insectos construyan sus nidos en los tubos de los quemadores (en especial, durante los meses más fríos). El bloqueo de los tubos de los quemadores puede evitar la circulación de gas a los quemadores, lo que podría causar un incendio en el tubo del quemador o debajo de la parrilla. Consulte el apartado “Conjunto de los Quemadores/Mantenimiento” de la sección “Cuidado y Mantenimiento Adecuados”.
- Si almacena la parrilla en exteriores, cúbrala con una cubierta para parrillas para protegerla de la intemperie.

# SOLUCIÓN DE PROBLEMAS:

Para ver videos de montaje o solución de problemas, visítenos en:

| Problema   | Causa posible   | Prevención/Cuidado   |
|--|---|--|
| <b>El quemador no enciende</b>   | La válvula del tanque de gas LP está cerrada  | Cerchiórese de que el regulador esté conectado al tanque de gas LP con firmeza; gire la válvula del tanque de gas LP a la posición "ABIERTA"   |
|  | El nivel del tanque de gas LP es bajo o el tanque está vacío                                  | Verifique si el tanque de gas LP está vacío. Si está vacío, reemplácelo o vuelva a cargarlo  |
|  | Hay una fuga de gas LP  | 1. Gire la válvula del tanque de gas LP a la posición "CERRADA"<br>2. Espere 5 minutos para que el gas se disipe<br>3. Siga las instrucciones de la sección "Pruebas de Detección de Fugas" incluidas en el manual del propietario   |
|  | El regulador y la tuerca de acoplamiento no están totalmente conectados                       | Consulte la sección "Conexión del Regulador y la Manguera"   |
|  | El flujo de gas está bloqueado  | 1. Limpie el conjunto de los quemadores<br>2. Inspeccione si la manguera está doblada o retorcida  |
|  | Es posible que el quemador no esté correctamente apoyado                                      | Vuelva a apoyar el quemador y la válvula. Consulte las instrucciones de la sección "Conjunto de los Quemadores/Mantenimiento"  |
|  | Es posible que haya telarañas o nidos de insectos en los tubos venturi de los quemadores      | Limpie el conjunto de los quemadores y los tubos venturi de los quemadores   |
|  | Los puertos de los quemadores están obstruidos o bloqueados                                   | Limpie los puertos de los quemadores   |
|  | Es preciso cambiar la batería   | Reemplace la batería (siga el paso de montaje para insertar la batería)  |
|  | Los cables o el electrodo están cubiertos con residuos de comida                              | Limpie el cableado o el electrodo con alcohol rectificado  |
|  | El electrodo y los quemadores están húmedos   | Séquelos con un paño   |
|  | El electrodo está rajado o está roto (chispas en la rajadura).                                | Reemplace el electrodo   |
|  | Hay un cable flojo o desconectado   | Vuelva a conectar el cable, o reemplace el conjunto del cable/electrodo  |
|  | Hay un cable en cortocircuito (chisporroteo) entre el dispositivo de encendido y el electrodo | Reemplace el conjunto del cable/electrodo del dispositivo de encendido   |
| El dispositivo de encendido no funciona correctamente  | Reemplace el dispositivo de encendido   |  |
| <b>La parrilla no se calienta lo suficiente</b>  | Se acabó el gas   | Reemplace o vuelva a cargar el tanque de gas LP  |
|  | Es posible que se haya activado el dispositivo de restricción del flujo                       | 1. Restablecimiento mínimo:<br>a. Gire las perillas de control y la válvula del tanque de gas LP a la posición "APAGADO"<br>b. Espere un minuto y vuelva a encender la parrilla según las "Instrucciones de Encendido"<br>2. Si las llamas aún son muy bajas, lleve a cabo un restablecimiento total:<br>Restablecimiento total:<br>a. Gire las perillas de control y la válvula del tanque de gas LP a la posición "APAGADO"<br>b. Desconecte el regulador del tanque de propano<br>c. Inspeccione el sello de caucho del cilindro de gas LP<br>d. Espere 1 minuto<br>e. Vuelva a conectar el regulador y realice las "Pruebas de Detección de Fugas" en todas las conexiones<br>f. Encienda la parrilla según las "Instrucciones de Encendido" |
| <b>El patrón de la llama es irregular. No se forma la llama en toda la longitud del quemador</b> | Los puertos de los quemadores están obstruidos o bloqueados                                   | Limpie los puertos de los quemadores   |
|  | El obturador de aire del quemador debe ajustarse  | Consulte la sección "Ajuste de los Quemadores"   |

| <b>Problema</b>   | <b>Causa posible</b>  | <b>Prevención/Cuidado</b>   |
|---|---|---|
| <b>La llama es amarilla o anaranjada</b>  | Es posible que el quemador nuevo contenga aceites residuales de la fabricación            | Encienda la parrilla durante 15 minutos en la posición "ALTO" con la tapa cerrada   |
|   | Es posible que haya telarañas o nidos de insectos en los tubos venturi de los quemadores. | Limpie el conjunto de los quemadores y los tubos venturi de los quemadores  |
|   | Residuos de comida, grasa, etc  | Limpie el conjunto de los quemadores  |
|   | La alineación entre la válvula y el tubo venturi del quemador es incorrecta.              | Asegúrese de que los tubos venturi de los Quemadores estén correctamente conectados con la válvula  |
|   | El obturador de aire del quemador debe ajustarse  | Consulte la sección "Ajuste de los Quemadores"  |
| <b>La llama se apaga</b>  | Vientos fuertes o ráfagas de viento   | No use la parrilla si hay vientos fuertes   |
|   | Bajo nivel de gas LP  | Reemplace o vuelva a cargar el tanque de gas LP   |
|   | Es posible que los orificios de los quemadores estén obstruidos                           | Consulte las instrucciones de la sección "Conjunto de los Quemadores/Mantenimiento"   |
|   | Se activó el dispositivo de restricción del flujo   | Consulte la sección "Procedimiento de Restablecimiento del Regulador"   |
| <b>Se forman llamaradas</b>   | Acumulación de grasa  | Limpie todas las piezas de la parrilla según las instrucciones incluidas en la sección "Cuidado y Mantenimiento Adecuados"  |
|   | Exceso de grasa en la carne   | Quítele la grasa a la carne antes de cocinarla  |
|   | Temperatura de cocción excesiva   | Ajuste (baje) la temperatura de cocción   |
| <b>Se generan incendios de grasa</b>  | Hay grasa atascada por acumulación de comida entorno al sistema de los quemadores         | <ol style="list-style-type: none"> <li>1. Gire las perillas de control y la válvula del tanque de gas LP a la posición "APAGADO"</li> <li>2. Deje la tapa abierta o cerrada, y permita que el incendio se apague. Use un extintor de incendios tipo BC o bicarbonato, arena o tierra para apagar el incendio, de ser necesario</li> <li>3. Después de que la parrilla se enfríe, quite y limpie todas las piezas según las instrucciones de la sección "Cuidado y Mantenimiento Adecuados"</li> </ol> |
| <b>Retorno de la llama (incendio en los tubos de los quemadores)/ Derretimiento de las perillas</b> | Los quemadores o los tubos de los quemadores están bloqueados                             | Limpie los quemadores y el conjunto de los quemadores   |
| <b>El interior de la tapa se descascara (como el descascaramiento de pintura).</b>                  | La acumulación de grasa pegada se convirtió en carbón y se está descascarando             | Limpie todo minuciosamente según las instrucciones incluidas en la sección "Cuidado y Mantenimiento Adecuados"  |

# SUGERENCIAS PARA COCINAR CON LA PARRILLA:

## HIGIENE:

- Siempre lávese las manos minuciosamente con jabón y agua caliente antes de manipular la comida y después de manipular carne vacuna o de pollo cruda, o mariscos/pescados.
- Cuando use una fuente para transportar carne vacuna o de pollo cruda, o mariscos/pescado hasta la parrilla, asegúrese de lavar la fuente minuciosamente con jabón y agua caliente antes de colocar la comida cocida en dicha fuente, o use fuentes diferentes para los alimentos crudos y la comida cocida.
- Nunca use los mismos utensilios para manipular carne vacuna o de pollo cruda, o mariscos/pescado, salvo que los lave minuciosamente con jabón y agua caliente.
- Nunca vuelva a usar el adobo de carne vacuna o de pollo cruda en alimentos que han sido cocidos y están listos para ser servidos.

## ASAR A LA TEMPERATURA ADECUADA:

- Use un termómetro para carne para asegurarse de que la comida haya alcanzado una temperatura interna segura.
- El Departamento de Agricultura de los Estados Unidos recomienda que se alcance las siguientes temperaturas mínimas para los siguientes alimentos:

|                           |                         |                               |                         |
|---------------------------|-------------------------|-------------------------------|-------------------------|
| <b>Chuletas</b> .....     | <b>145° F (62.8° C)</b> | <b>Carne asada</b> .....      | <b>145° F (62.8° C)</b> |
| <b>Carne picada</b> ..... | <b>160° F (71° C)</b>   | <b>Mariscos/Pescado</b> ..... | <b>145° F (62.8° C)</b> |
| <b>Cerdo</b> .....        | <b>145° F (62.8° C)</b> | <b>Vegetales</b> .....        | <b>145° F (62.8° C)</b> |
| <b>Pollo</b> .....        | <b>165° F (73.9° C)</b> |                               |                         |

## SUGERENCIAS ÚTILES:

- Si precoces la carne vacuna o de pollo, hágalo inmediatamente antes de asarlas.
- Nunca descongele la carne a temperatura ambiente o en una encimera.
- Refrigere las sobras en el plazo de 2 horas de haber retirado la comida de la parrilla.
- Para obtener información adicional, llame a la línea gratuita “Carne y Aves” del Departamento de Agricultura de los Estados Unidos al 800-535-4555.

# INSTRUCCIONES DE ARMADO:

**▲ LEA TODAS LAS ADVERTENCIAS DE SEGURIDAD Y LAS INSTRUCCIONES DE MONTAJE CON CUIDADO ANTES DE ARMAR O USAR LA PARRILLA.**

**PARA ARMAR LA UNIDAD, RECOMENDAMOS QUE DOS PERSONAS TRABAJEN EN FORMA CONJUNTA.**

Para armar esta parrilla de gas 3 quemadores de Even Embers, se requieren las siguientes herramientas:

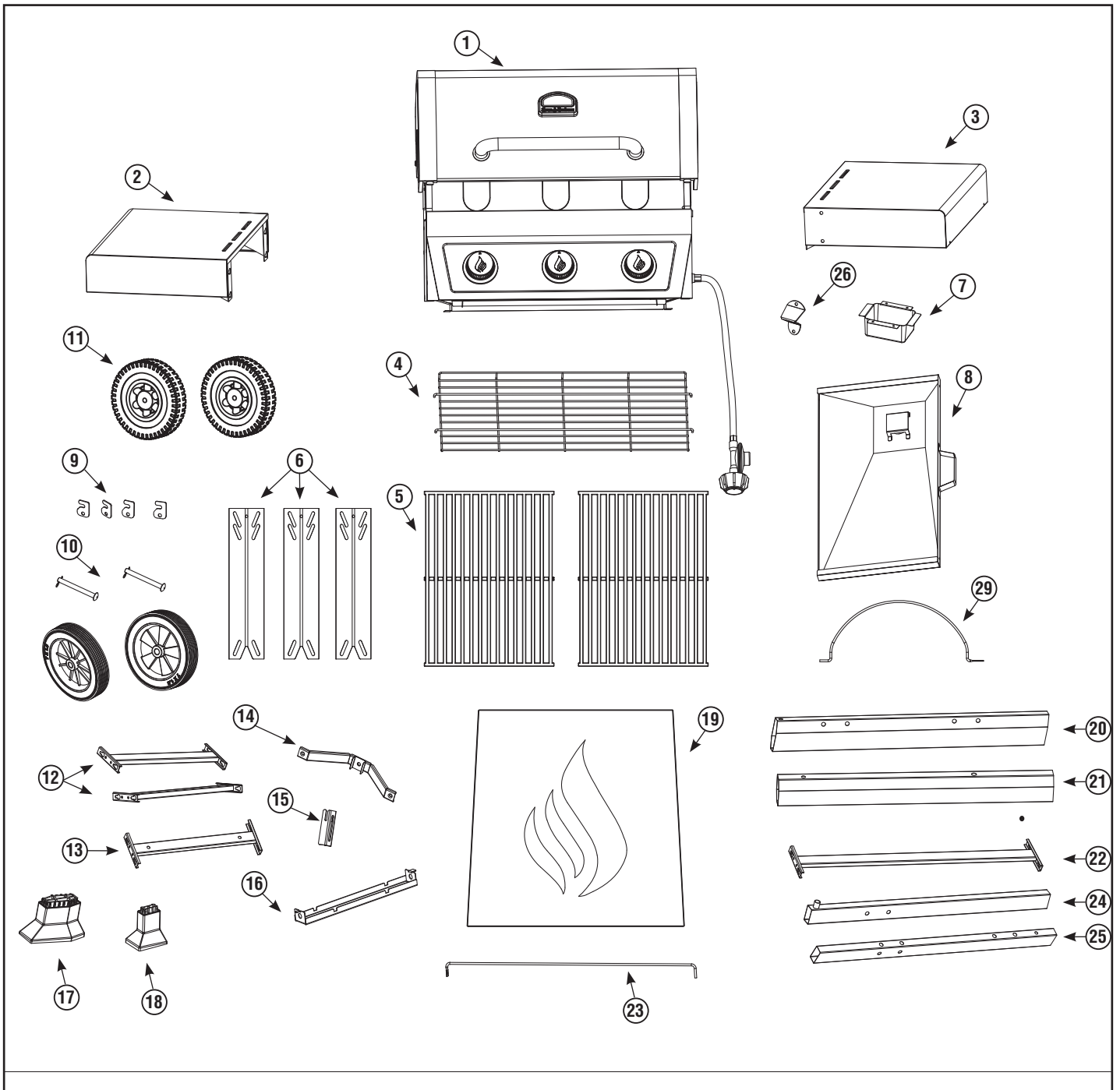
- Destornillador

## LISTA DE PARTES:

|   |   |                                       |    |   |                                      |
|---|---|---------------------------------------|----|---|--------------------------------------|
| ① | 1 | Ensamblaje de campana y caja de fuego | ①7 | 1 | Pie delantero izquierdo              |
| ② | 1 | Tabla lateral izquierda               | ①8 | 1 | Pie izquierdo trasero                |
| ③ | 1 | Tabla lateral derecha                 | ①9 | 1 | Panel frontal del carro              |
| ④ | 1 | Estante de Calentamiento              | ②0 | 1 | Pierna delantera                     |
| ⑤ | 2 | Estante de Calentamiento              | ②1 | 1 | Pierna delantera derecha             |
| ⑥ | 3 | Parrillas de hierro fundido           | ②2 | 1 | Brazo trasero                        |
| ⑦ | 1 | Copa de grasa                         | ②3 | 1 | Barra de bloque de tanque trasero    |
| ⑧ | 1 | Bandeja de grasa                      | ②4 | 1 | Pierna trasera derecha               |
| ⑨ | 4 | Cart Brackets                         | ②5 | 1 | Parte trasera de la pierna izquierda |
| ⑩ | 2 | Pernos del eje                        | ②6 | 1 | Abrebotellas                         |
| ⑪ | 2 | Ruedas                                | ②7 | 1 | Barra de bloque de tanque lateral    |
| ⑫ | 2 | Soportes de carro izquierdo           |    |   |                                      |
| ⑬ | 1 | Soporte del carrito derecho           |    |   |                                      |
| ⑭ | 1 | Soporte de retención del tanque       |    |   |                                      |
| ⑮ | 1 | Brazo del tanque                      |    |   |                                      |
| ⑯ | 1 | Soporte de soporte del tanque         |    |   |                                      |

**NOTA:** Todo el hardware está premontado a la parrilla. Es posible que deba aflojar algunos tornillos parcialmente, mientras que otros pueden necesitar ser removidos para ensamblar piezas.





## WARRANTY

The Boltz Group warrants to the original purchaser that the Even Embers 3 Burner Gas Grill is free from defects due to workmanship or materials for:

Ten-year: on stainless steel tube burners

Three-year: on all other stainless steel parts

One-year: on valves, frame, housing, cart, igniter, cooking grates and other related parts

The Boltz Group's obligations under this warranty are limited to the following guidelines:

- This warranty does not cover grills that have been altered/modified or damaged due to: normal wear, rust, abuse, improper maintenance and/or improper use.
- This warranty does not cover surface scratches, rust or heat damage to the finish, which is considered normal wear.
- The Boltz Group may elect to repair or replace damaged units covered by the terms of this warranty.
- This warranty extends to the original purchaser only and is not transferable or assignable to subsequent purchasers.

The Boltz Group requires reasonable proof of purchase. Therefore, we strongly recommend that you retain your sales receipt or invoice. To obtain replacement parts for your Even Embers 3 Burner Gas Grill under the terms of this warranty, please call Customer Service Department at 855-735-9922. A receipt will be required. The Boltz Group will not be responsible for any grills forwarded to us without prior authorization.

EXCEPT AS ABOVE STATED, THE BOLTZ GROUP MAKES NO OTHER EXPRESS WARRANTY.

THE IMPLIED WARRANTIES OF MERCHANTABILITY AND FITNESS FOR A PARTICULAR PURPOSE ARE LIMITED IN DURATION TO THOSE LISTED ABOVE FROM THE DATE OF PURCHASE. SOME STATES DO NOT ALLOW LIMITATIONS ON HOW LONG AN IMPLIED WARRANTY LASTS, SO THE ABOVE LIMITATION MAY NOT APPLY TO YOU.

ANY LIABILITY FOR INDIRECT, INCIDENTAL OR CONSEQUENTIAL DAMAGES ARISING FROM THE FAILURE OF THE EVEN EMBERS 5 BURNER GAS GRILL TO COMPLY WITH THIS WARRANTY OR ANY IMPLIED WARRANTY IS EXCLUDED. CUSTOMER ACKNOWLEDGES THAT THE PURCHASE PRICE CHARGED IS BASED UPON THE LIMITATIONS CONTAINED IN THE WARRANTY SET OUT ABOVE. SOME STATES DO NOT ALLOW THE EXCLUSION OR LIMITATION OF INCIDENTAL OR CONSEQUENTIAL DAMAGES, SO THE ABOVE LIMITATION OR EXCLUSION MAY NOT APPLY TO YOU. THIS WARRANTY GIVES YOU SPECIFIC LEGAL RIGHTS, AND YOU MAY ALSO HAVE OTHER RIGHTS WHICH VARY FROM STATE TO STATE.

## GARANTÍA

The Boltz Group garantiza al comprador original que la Parrilla de Gas 3 Quemadores de Even Embers está libre de defectos de materiales o mano de obra:

Diez-años: los quemadores de acero inoxidable

Tres-años: en todas las piezas de acero inoxidable restantes

Un-año: en válvulas, armazón, envoltura, carro, encendedor, rejillas de cocinar y piezas relacionadas

Las obligaciones de The Boltz Group con respecto a esta garantía se limitan a lo siguiente:

- Esta garantía no cubre parrillas que hayan sido alteradas/modificado o dañadas debido a: uso normal, herrumbre, maltrato, mantenimiento inadecuado y/o uso inapropiado.
- Esta garantía no cubre rayones superficiales, daño por herrumbre o por calor al acabado, lo cual se considera como uso normal.
- The Boltz Group puede decidir reparar o reemplazar las unidades dañadas cubiertas bajo los términos de esta garantía.
- Esta garantía se otorga al comprador original únicamente y no es transferible o asignable a los compradores posteriores.

The Boltz Group exige un comprobante de compra razonable. Por lo tanto, le recomendamos enfáticamente que retenga su recibo o factura de venta. Para obtener partes de repuesto para la Parrilla de Gas 3 Quemadores de Even Embers bajo los términos de esta garantía, sírvase contactar al Departamento de Servicio al Cliente al 855-735-9922. Se exigirá la presentación de un recibo. The Boltz Group no será responsable de ninguna parrilla devuelta a nosotros sin autorización previa.

EXCEPTO POR LO INDICADO ARRIBA, THE BOLTZ GROUP NO OTORGA NINGUNA OTRA GARANTÍA EXPRESA.

LAS GARANTÍAS IMPLÍCITAS DE COMERCIALIZADLA Y ADECUACIÓN CON UN FIN EN PARTICULAR SON DE DURACIÓN LIMITADA DE ACUERDO A LO INDICADO ARRIBA A PARTIR DE LA FECHA DE COMPRA. ALGUNOS ESTADOS NO PERMITEN LIMITACIONES DE DURACIÓN DE UNA GARANTÍA IMPLÍCITA; POR LO TANTO, LA LIMITACIÓN ANTERIOR PODRÍA NO SER APLICABLE EN SU CASO.

SE EXCLUYE CUALQUIER RESPONSABILIDAD POR DAÑOS INDIRECTOS, INCIDENTALES O CONSIGUIENTES DERIVADOS DE LA FALTA DE CUMPLIMIENTO DE ESTA GARANTÍA O DE CUALQUIER GARANTÍA IMPLÍCITA DE PARRILLA DE GAS 5 QUEMADORES DE EVEN EMBERS. EL CLIENTE RECONOCE QUE EL PRECIO DE COMPRA COBRADO SE BASA EN LAS LIMITACIONES CONTENIDAS EN LA GARANTÍA ANTERIOR. ALGUNOS ESTADOS NO PERMITEN LA EXCLUSIÓN O LIMITACIÓN DE LOS DAÑOS INCIDENTALES O CONSIGUIENTES; POR LO TANTO, LA LIMITACIÓN O EXCLUSIÓN ANTERIOR PODRÍA NO SER APLICABLE EN SU CASO. ESTA GARANTÍA LE OTORGA DERECHOS LEGALES ESPECÍFICOS Y USTED PUEDE TENER ADEMÁS OTROS DERECHOS QUE VARÍAN DE UN ESTADO A OTRO.