

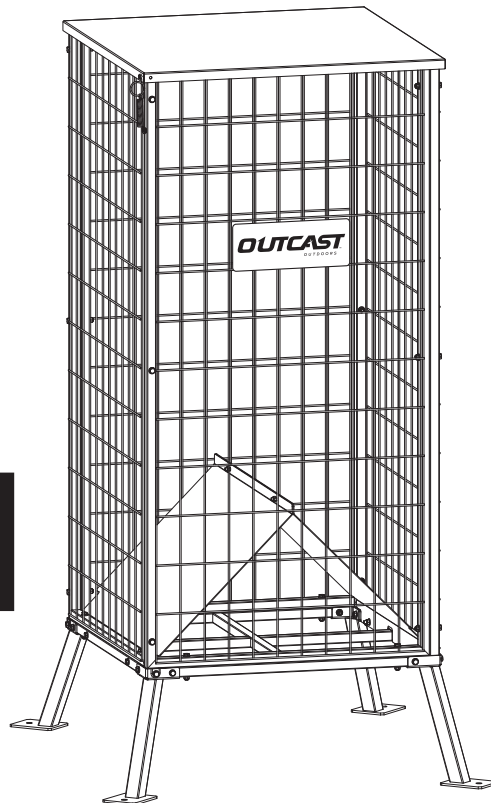
OUTCAST[™]

OUTDOORS

COTTONSEED FEEDER OWNER'S MANUAL ASSEMBLY AND OPERATING INSTRUCTIONS



SAVE THIS MANUAL FOR FUTURE REFERENCE

Model FDRC300ASX



NOTICE TO INSTALLER:
LEAVE THESE INSTRUCTIONS
WITH THE FEEDER OWNER FOR
FUTURE REFERENCE.

IMPORTANT SAFETY WARNINGS

**WE WANT YOU TO ASSEMBLE AND USE YOUR FEEDER AS SAFELY AS POSSIBLE.
THE PURPOSE OF THIS SAFETY ALERT SYMBOL 
IS TO ATTRACT YOUR ATTENTION TO POSSIBLE HAZARDS AS YOU ASSEMBLE AND USE YOUR FEEDER.
WHEN YOU SEE THE SAFETY ALERT SYMBOL, PAY CLOSE ATTENTION TO THE INFORMATION WHICH FOLLOWS!
 **READ ALL SAFETY WARNINGS AND INSTRUCTIONS CAREFULLY
BEFORE ASSEMBLING AND OPERATING YOUR FEEDER.****

WARNING

- You should never attempt to assemble this feeder alone. We recommend having a minimum of at least two adults for the assembly of this feeder. Failure to follow these instructions may result in serious injury or death.
 - This feeder must be placed on firm and level ground. Before filling the feeder, we recommend installing four stakes through the holes located in the feet.
 - Refer to the drawings in this manual for visualization of the assembly process in addition to reading the instructions.
 - Some parts may contain sharp edges. Wear appropriate clothing and gloves during assembly.
 - Do not fill feeder under and/or during bad weather such as storms, snow, lightning, or thunderstorms. Failure to follow these instructions may result in serious injury or death.
 - Do not sit or stand on or inside the hopper.
 - Do not fill feeder until it is completely assembled and standing up in place.
 - Make sure hands and arms are out of the way of the feeder body when filling the feeder. Failure to follow these instructions may result in serious injury.
 - **BEFORE STANDING UP THE FEEDER, YOU MUST:**
 - Check all hardware to be sure it is in place and tightened.
 - Check all bolts and nuts to be sure they are secure and tight.
- IMPORTANT!** The manufacturer of this feeder is not responsible for any inaccurate information you have received regarding state feeding regulations. Please always keep your information up-to-date and reliable. Many state laws change and are amended without notice. Always double check your state and specific county feeding laws regarding the use of feeders.
- Contact your local or state wildlife agency if you have any questions concerning feeding wildlife.

USE CAUTION AND COMMON SENSE WHEN OPERATING YOUR FEEDER.

**FAILURE TO ADHERE TO SAFETY WARNING AND GUIDELINES IN THIS MANUAL COULD RESULT
IN BODILY INJURY OR PROPERTY DAMAGE.**

SAVE THIS MANUAL FOR FUTURE REFERENCE.

ASSEMBLY INSTRUCTIONS

⚠ READ ALL SAFETY WARNINGS & ASSEMBLY INSTRUCTIONS CAREFULLY BEFORE ASSEMBLING OR OPERATING YOUR FEEDER.

FOR MISSING PARTS, PLEASE CALL CUSTOMER SERVICE AT 855-735-9922.

Inspect contents of the box to ensure all parts are included and undamaged.

We recommend two people work together when assembling this unit.

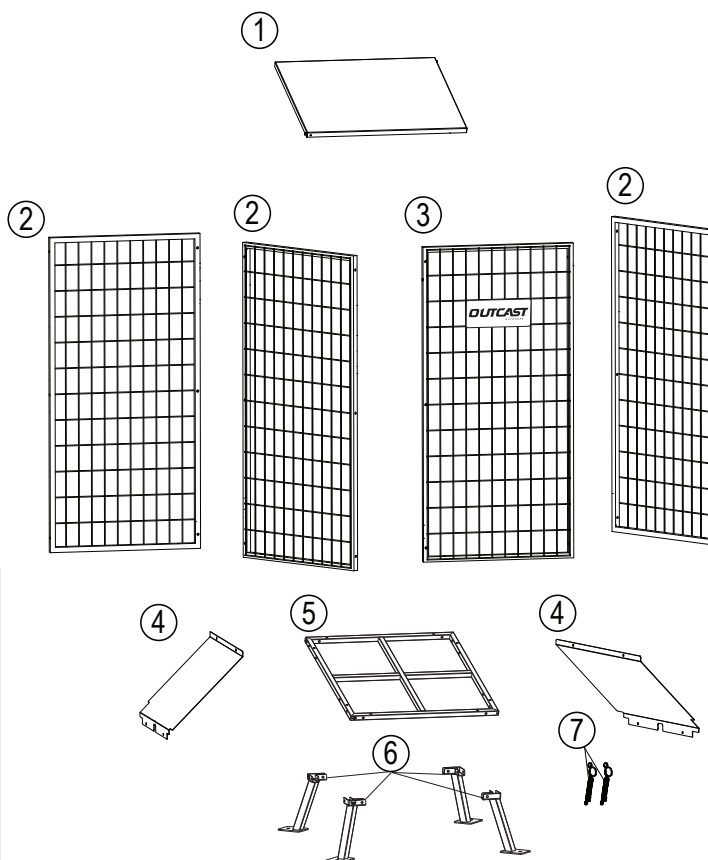
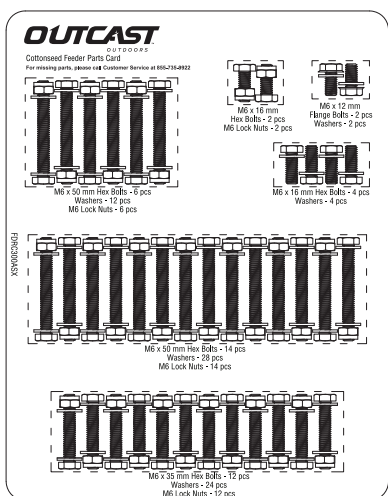
The following tools are required (not included) to assemble this Cottonseed Feeder:

- Pliers
- Phillips & Flathead Screwdrivers
- Adjustable Wrench

Part Contents:

- ① 1 Lid
- ② 3 Side Panels
- ③ 1 Front Panel
- ④ 2 Feed Dividers
- ⑤ 1 Base
- ⑥ 4 Legs
- ⑦ 2 Spring Latches

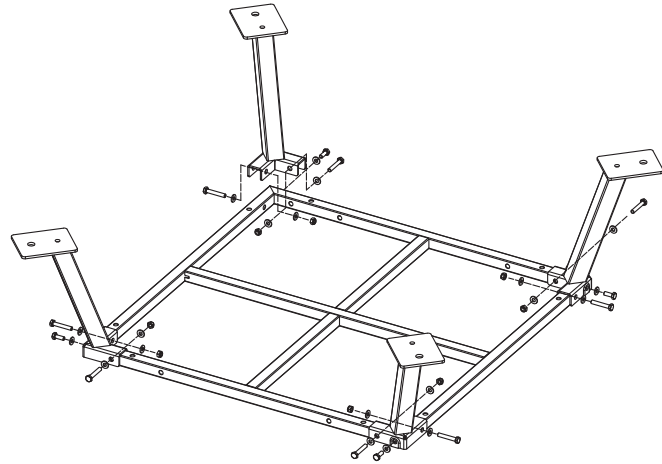
Component Pack Contents:



Choose a good, cleared assembly area and get a friend to help you put your feeder together. Lay cardboard down to protect feeder finish and assembly area.

Step 1

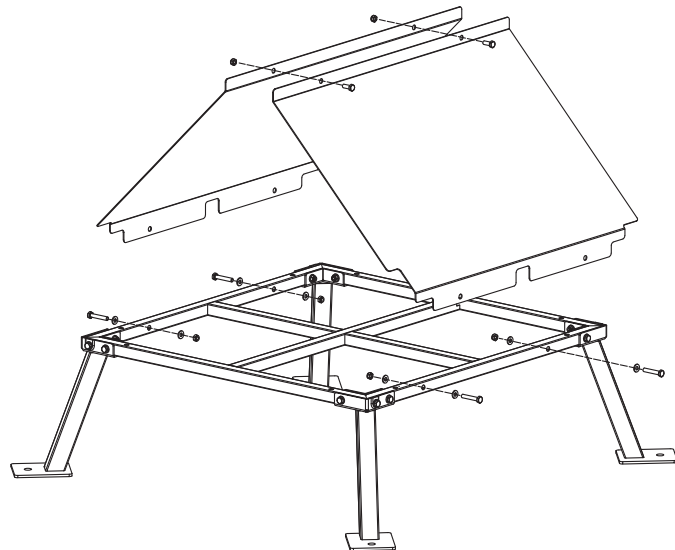
Attach four legs to base using four M6 x 16 mm hex bolts and four washers to hold legs in place. Then use eight M6 x 35 mm hex bolts, sixteen washers, and eight M6 lock nuts to secure legs.

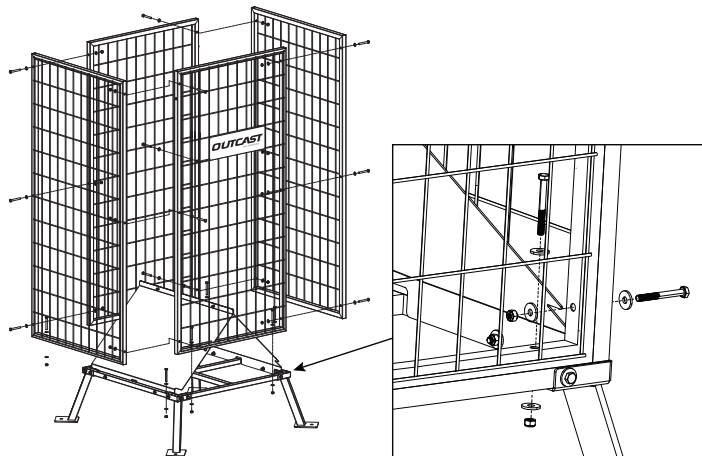


Step 2

Connect feed dividers together using two M6 x 16 mm hex bolts and M6 lock nuts.

Set feed dividers onto base and secure using four M6 x 35 mm hex bolts, eight washers and four M6 lock nuts.

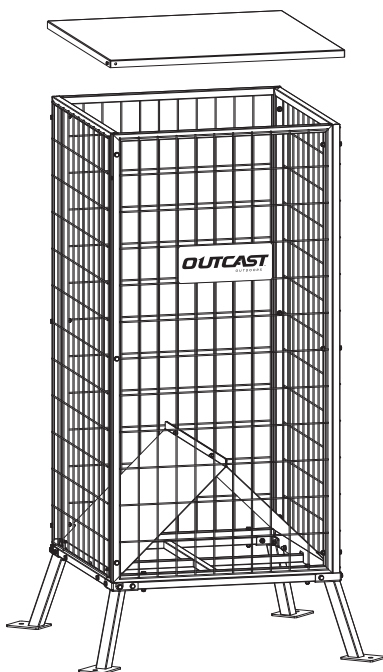




Step 3

Attach all side panels together using twelve M6 x 50 mm hex bolts, twenty four washers, and twelve M6 lock nuts.

Attach panels to base using eight M6 x 50 mm hex bolts, sixteen washers, and eight M6 lock nuts.

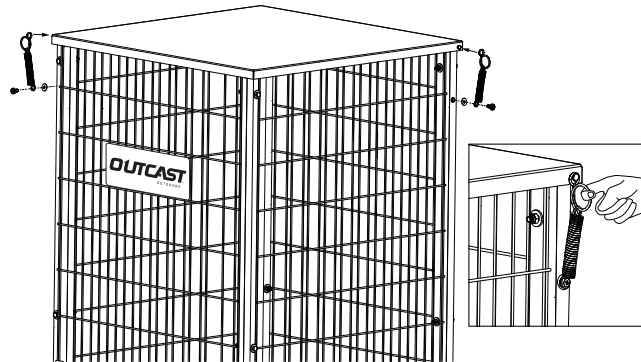


Step 4

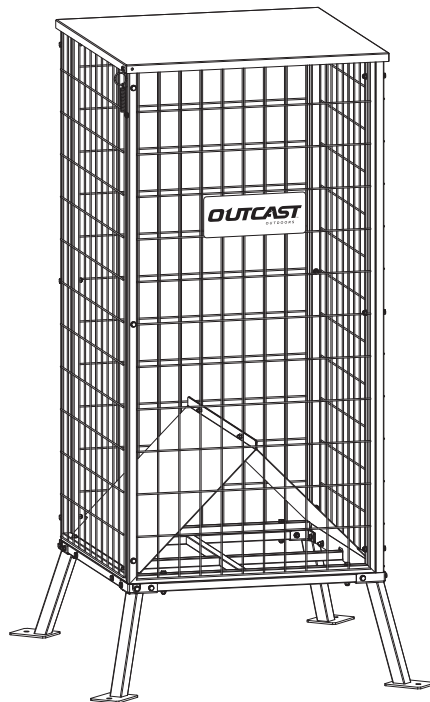
Place lid on feeder.

Step 5

Install both spring latches using two M6 x 12 mm flange bolts and washers.



COTTONSEED FEEDER ASSEMBLED



OPERATING INSTRUCTIONS

**⚠ PLACE THE FEEDER OUTDOORS ON A HARD, LEVEL SURFACE
IN AN AREA THAT IS PROTECTED FROM THE WIND.**

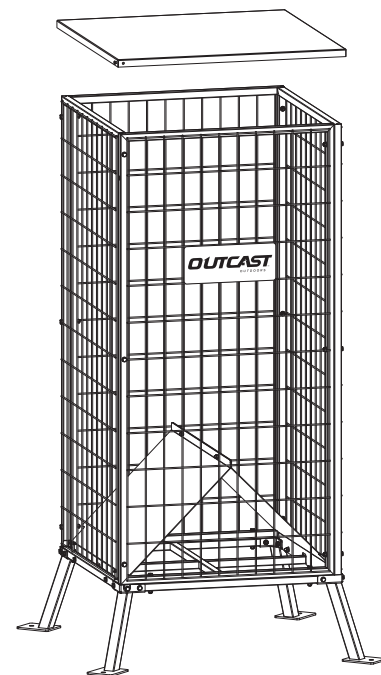
**⚠ READ ALL SAFETY WARNINGS AND INSTRUCTIONS CAREFULLY
BEFORE OPERATING YOUR FEEDER.**

- Remove lid and pour feed into cottonseed feed interior.
- After filling, replace lid and secure with spring latches.
- If feeding cottonseed for the first time, we recommend placing near a corn feeder or sprinkling corn around this feeder to help deer get acclimated to the new feed.

- Inspect feeder for any loose parts or hardware.
- If rust spears on the exterior surface of the feeder, clean and buff the affected areas with a stiff bristle brush or steel wool. Then, touch-up the area with a good quality paint.
- Always store excess feed indoors and check the quality of the feed before pouring it into feeder.

Loading Your Feeder

Proper Care & Maintenance



1-YEAR LIMITED WARRANTY

For 1-year from date of purchase, Fair Game Group warrants the Cottonseed Feeder against defects due to workmanship or materials to the original purchaser.

Fair Game Group's obligations under this warranty are limited to the following guidelines:

- This warranty does not cover feeders that have been altered/modified or damaged due to: normal wear, rust, abuse, improper maintenance and/or improper use.
- This warranty does not cover surface scratches or sun damage to the finish, which is considered normal wear.
- Fair Game Group may elect to repair or replace damaged units covered by the terms of this warranty.
- This warranty extends to the original purchaser only and is not transferable or assignable to subsequent purchasers.

Fair Game Group requires reasonable proof of purchase. Therefore, we strongly recommend that you retain your sales receipt or invoice. To obtain replacement parts for your Cottonseed Feeder under the terms of this warranty, please call Customer Service Department at 855-735-9922 for a **Return Authorization Number** and further instructions. **A receipt or proof of purchase will be required.** Fair Game Group will not be responsible for any feeders forwarded to us without prior authorization.

EXCEPT AS ABOVE STATED, FAIR GAME GROUP MAKES NO OTHER EXPRESS WARRANTY.

THE IMPLIED WARRANTIES OF MERCHANTABILITY AND FITNESS FOR A PARTICULAR PURPOSE ARE LIMITED IN DURATION TO 1-YEAR FROM THE DATE OF PURCHASE. SOME STATES DO NOT ALLOW LIMITATIONS ON HOW LONG AN IMPLIED WARRANTY LASTS, SO THE ABOVE LIMITATION MAY NOT APPLY TO YOU.

ANY LIABILITY FOR INDIRECT, INCIDENTAL OR CONSEQUENTIAL DAMAGES ARISING FROM THE FAILURE OF THE COTTONSEED FEEDER TO COMPLY WITH THIS WARRANTY OR ANY IMPLIED WARRANTY IS EXCLUDED. CUSTOMER ACKNOWLEDGES THAT THE PURCHASE PRICE CHARGED IS BASED UPON THE LIMITATIONS CONTAINED IN THE WARRANTY SET OUT ABOVE. SOME STATES DO NOT ALLOW THE EXCLUSION OR LIMITATION OF INCIDENTAL OR CONSEQUENTIAL DAMAGES, SO THE ABOVE LIMITATION OR EXCLUSION MAY NOT APPLY TO YOU. THIS WARRANTY GIVES YOU SPECIFIC LEGAL RIGHTS, AND YOU MAY ALSO HAVE OTHER RIGHTS WHICH VARY FROM STATE TO STATE.

OMC300ASX
0524

©2024 Fair Game Group LLC.
Carrollton, Texas 75006 U.S.A.
www.fairgameus.com

Owner's Manual for Model
FDRC300ASX