



Assembly Instructions & User's Manual

WOOD PELLET HEATER

Item Number: 990343520

Model Number: HTR4085MS

Customer Assistance (spare/replacement parts): 1-855-735-9922

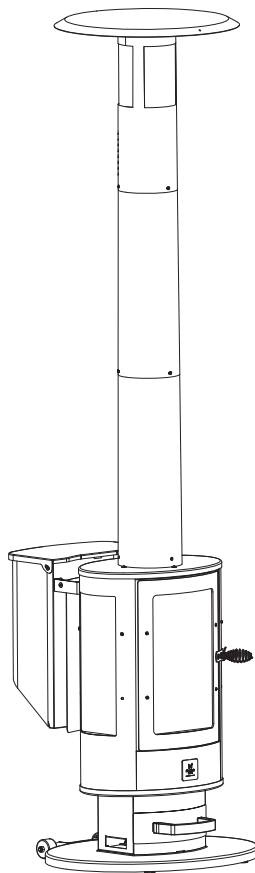
or Email: Help@fairgameus.com

NOTICE TO INSTALLER:

LEAVE THESE
INSTRUCTIONS WITH THE
HEATER OWNER FOR
FUTURE REFERENCE.

⚠ WARNING

PLEASE READ THIS ENTIRE MANUAL BEFORE INSTALLATION AND USE OF THIS PELLET FUEL-BURNING APPLIANCE. FAILURE TO FOLLOW THESE INSTRUCTIONS COULD RESULT IN PROPERTY DAMAGE, BODILY INJURY OR EVEN DEATH. CONTACT LOCAL BUILDING OR FIRE OFFICIALS ABOUT RESTRICTIONS AND INSTALLATION INSPECTION REQUIREMENTS IN YOUR AREA. SAVE THESE INSTRUCTIONS.




THIS ASSEMBLY MANUAL CONTAINS IMPORTANT SAFETY INFORMATION.
PLEASE READ AND KEEP FOR FUTURE REFERENCE.



Assembly Instructions & User's Manual

IMPORTANT SAFETY WARNINGS

WE WANT YOU TO ASSEMBLE AND USE YOUR GRILL AS SAFELY AS POSSIBLE. THE PURPOSE OF THIS SAFETY ALERT SYMBOL  IS TO ATTRACT YOUR ATTENTION TO POSSIBLE HAZARDS AS YOU ASSEMBLE AND USE YOUR GRILL. WHEN YOU SEE THE SAFETY ALERT SYMBOL, PAY CLOSE ATTENTION TO THE INFORMATION WHICH FOLLOWS!

 READ ALL SAFETY WARNINGS AND INSTRUCTIONS CAREFULLY BEFORE ASSEMBLING AND OPERATING YOUR GRILL.

WARNING

1. Improper installation, adjustment, service or maintenance can cause injury or property damage.
2. Read all instructions and guidelines carefully and thoroughly before installation, use or service.
3. Failure to follow these instructions could result in fire or electrical shock.

DANGER

 NOT for use in or on boats or recreation vehicles.

DANGER



1. Do not store or use gasoline, liquid propane or any other flammable vapors or liquids in the vicinity of this appliance.

A MAJOR CAUSE OF FIRES IS FAILURE TO MAINTAIN REQUIRED CLEARANCES (AIR SPACES) TO COMBUSTIBLE MATERIALS. IT IS OF UTMOST IMPORTANCE THAT THIS PRODUCT BE INSTALLED ONLY IN ACCORDANCE WITH THESE INSTRUCTIONS.



Assembly Instructions & User's Manual

Table of Contents

Quality Statement 3

Important Safety Information 3

Before Assembly 3

Care & Use 3

Package Contents 4

Components 5

Hardware 6

Product Information 6

Tools 6

Step 1 - Step 11 7-12

Warnings 13

Danger 13

Troubleshooting 14

Use Instructions 14-15

Storage Instructions 16

Technical Data 16

Limited Warranty Information Back Cover

⚠ DANGER: Indicates an imminently hazardous situation which, if not avoided, will result in death or serious injury.

⚠ WARNING: Be alert to the possibility of serious bodily injury if the instructions are not followed. Be sure to read and carefully follow all of the messages.

⚠ CAUTION: Indicates a potentially hazardous situation which, if not avoided, may result in minor or moderate injury.

CALIFORNIA PROPOSITION 65 WARNING

⚠ WARNING: This product can expose you to chemicals including carbon monoxide, which is known to the State of California to cause birth defects or other reproductive harm.

For more information go to www.P65Warnings.ca.gov

⚠ WARNING: CONTAINS LEAD. MAY BE HARMFUL IF EATEN OR CHEWED. COMPLIES WITH FEDERAL STANDARDS. KEEP OUT OF REACH OF CHILDREN.



Assembly Instructions & User's Manual

Quality Statement

Question or Comments? We would love to hear about your Member's Mark experience!

Visit us at: Samsclub.com/membersmarkhelp

Important Safety Information

- Please read all instructions carefully before assembling this product.
- Where applicable and convenient, and for your safety, assembly by an 2 adult is strongly recommended.
- Use only vendor-supplied hardware to assemble this item. Using unauthorized hardware could jeopardize the structural integrity of the item.
- Hardware may loosen overtime. Periodically check that all hardware (nuts, bolts, screws etc.) is tight.

Before Assembly

- Remove all parts and hardware from the box. Place all items on a carpeted or scratch-free work surface, as this will avoid damaging parts during assembly.
- The shipping box can provide an ideal work surface if none is available.
- Use the component hardware list below to identify, inventory and separate each of the hardware and components included.
- To avoid accidentally discarding small components of hardware, do not dispose of any packaging or content of the shipping carton until assembly is complete.
- **DO NOT USE** power tools unless it is explicitly identified in this manual as required for use during assembly. Power tools can damage the fasteners, hardware and/or components.
- Do not fully tighten all fasteners/ screws until all parts are in place. Failure to follow these instructions may cause the fasteners / screws to be misaligned during assembly.

NOTE: Extra bolts and fasteners are included in the hardware pack.

Care & Use

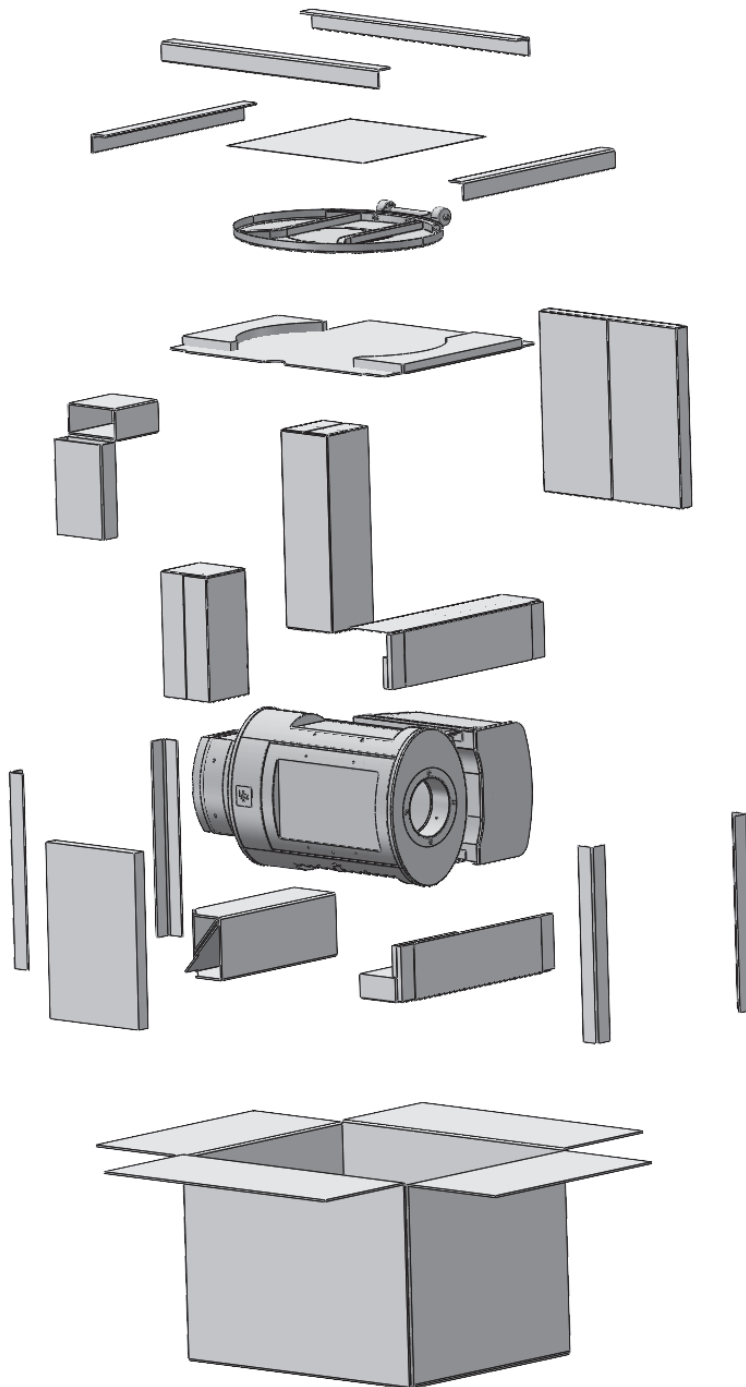
- When cleaning, use a soft, clean cloth that will not scratch the heater surface.
- Remove wood pellets from hopper if heater will not be used for a long period of time. Wood pellets can become soggy due to moisture/humidity and clog up the firebox and pellet chute.
 - Disposal of ashes – Ashes should be placed in a metal container with a tight-fitting lid. The closed container of ashes should be placed on a non-combustible floor or on the ground, well away from all combustible materials, pending final disposal. When the ashes are disposed by burial in soil or otherwise locally dispersed, they should be retained in the closed container until all cinders have thoroughly cooled.
 - To protect your heater from excessive rust, the unit must be kept clean and covered at all times when not in use.
 - Clean inside and outside of heater by wiping off with a damp cloth. Rust spots on the interior surface can be buffed, cleaned, and sprayed with a high temperature paint. Soot buildup on the glass can easily be wiped off.
 - Depending on use, periodically remove the firebox and baffle to clean the ash from in and around the components. A shop-vac is handy for this chore. Make sure the heater is cold before starting this procedure.



Assembly Instructions & User's Manual

Package Contents

WE RECOMMEND TWO PEOPLE WORK TOGETHER WHEN ASSEMBLING THIS UNIT.





Assembly Instructions & User's Manual





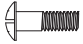







Components

Part	Description	Qty.	Part	Description	Qty.
1	Heater Body Part # 1085-600-1085-4	1	10	Door Latch Part # 1085-601-1085-1	1
2	Lower Chimney Part # 4085-600-4085-2	1	11	Hopper Lid Handle Part # 1085-603-1085-0	1
3	Middle Chimney Part # 4085-600-1085-1	1	12	Firebox Part # 1085-601-1085-3	1
4	Upper Chimney Part # 4085-600-4085-0	1	13	Heat Baffle Part # 1085-601-1085-5	1
5	Chimney Cap Part # 1085-600-1085-0	1	14	Ash Tray Part # 1085-602-1085-0	1
6	Heat Adjuster Level Part # 1085-601-1085-7	1	15	Ash Tray Handle Part # 1085-601-1085-9	1
7	Spring Coil Handle Part # 1085-601-10805-8	1	16	Heater Base Part # 1085-602-1085-1	1
8	Rake Tool Part # 1085-604-1085-0	1	17	Adjustable Feet Part # 1085-603-1085-6	4
9	Chimney Collar Part # 4085-600-4085-3	1			

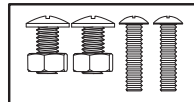


Assembly Instructions & User's Manual

Hardware

Part	Description		Qty.
A	M6 x 12 mm Bolt Part # 4085-601-4085-4		8
B	M6 x 35 mm Bolt Part # 4085-600-4085-7		4
C	M6 Nut Part # 4085-601-4085-2		6
D	M4 x 10 mm Bolt Part # 4085-601-4085-3		9
E	M6 x 16 mm Bolt Part # 4085-600-4085-9		1
F	Cotter Pin Part # 4085-600-4085-6		1
G	M5 x 20 mm Bolt Part # 4085-600-4085-8		2
H	Square Washer Part # 4085-601-4085-5		2
I	M6 Washer Part # 4085-601-4085-0		1
J	M6 Lock Nut Part # 4085-601-4085-1		1
K	M6 Lock Nut Part # 4085-601-4085-1		3
L	M5 Washer Part # 4085-601-4085-6		2

Spare Hardware



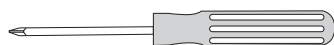
Product Information

- Product dimensions: 25.4" x 22.6" x 82.8" (64.2 cm x 57.5 cm x 210.2 cm).
- Product weight: 82.3 lbs. (37.4 kg).

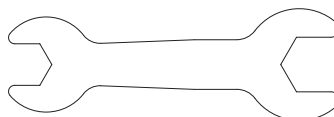
Tools

The following tools are required to assemble this Member's Mark Pellet Grill:

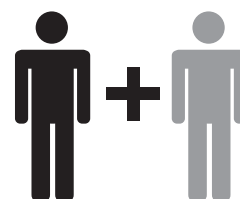
Phillips Screwdriver
(Not Included)



Wrench
(Included)



2 People

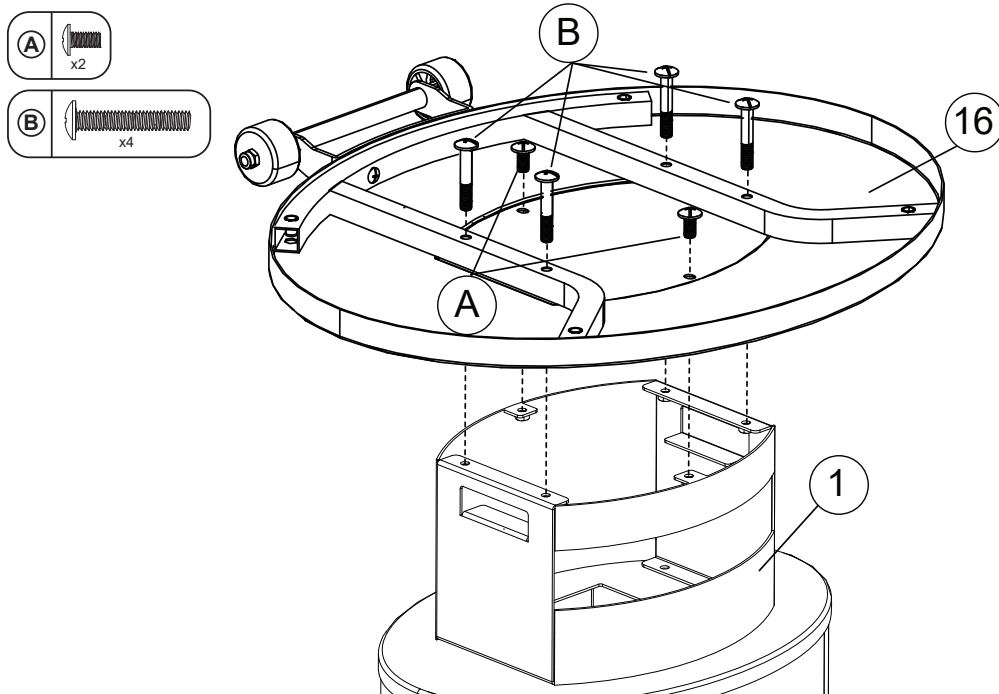




Assembly Instructions & User's Manual

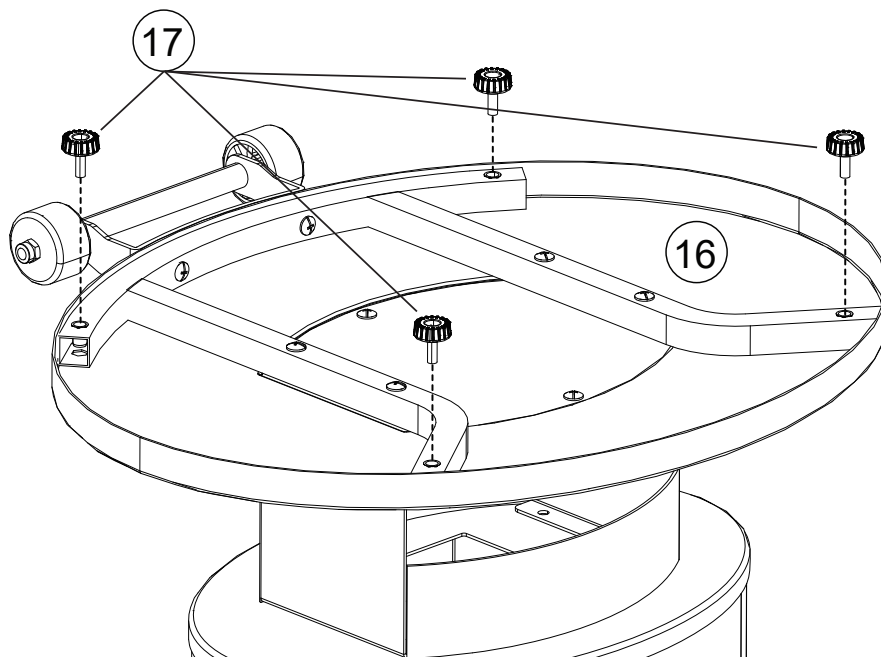
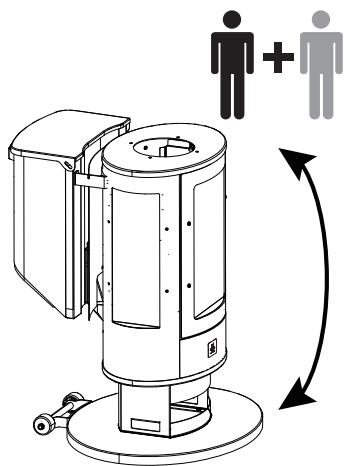
Step 1

- Place heater body ① upside down as illustrated. Install heater base ⑯ using four M6 x 35 mm bolts ② and two M6 x 12 mm bolts ③.



Step 2

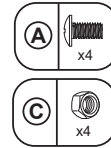
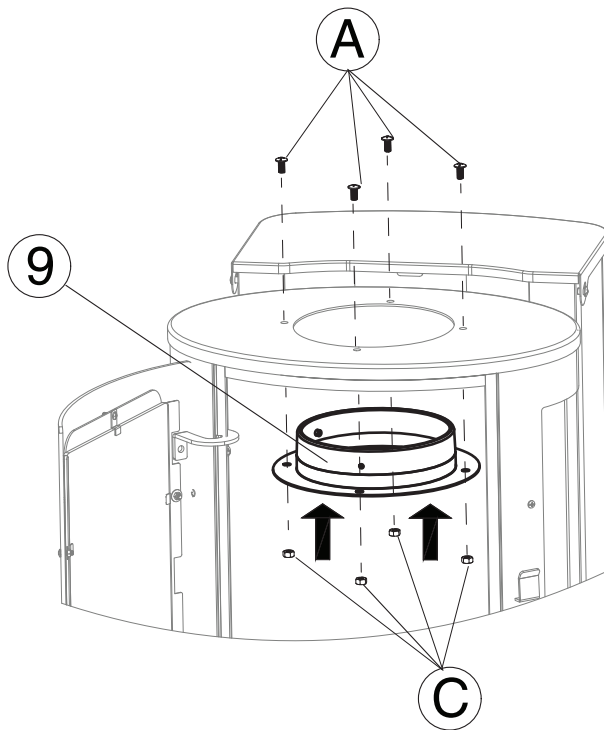
- Install four feet ⑰ into holes on bottom of heater base ⑯.
- Turn heater body ① right side up.



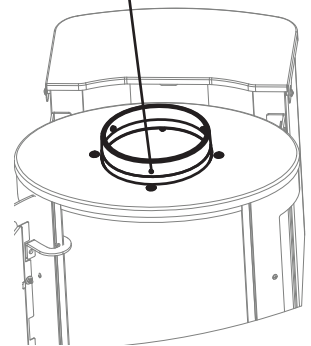


Assembly Instructions & User's Manual

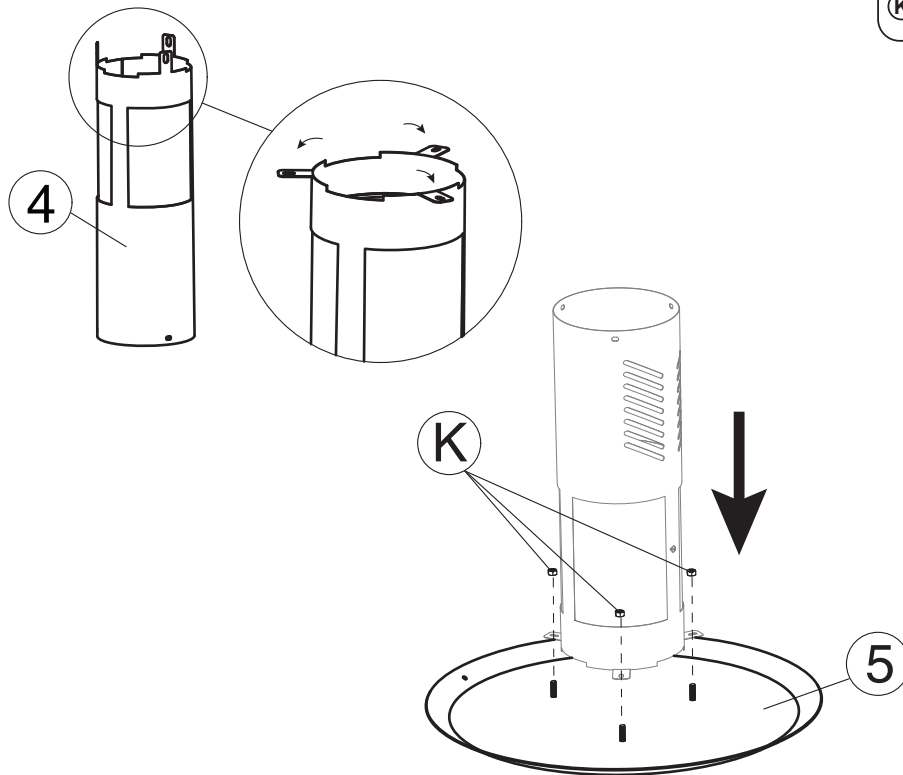
Step 3



- Install chimney collar 9 using four M6 x 12 mm bolts A and four M6 nuts C.
- Make sure one hole in chimney collar is facing towards the front of the heater.



Step 4



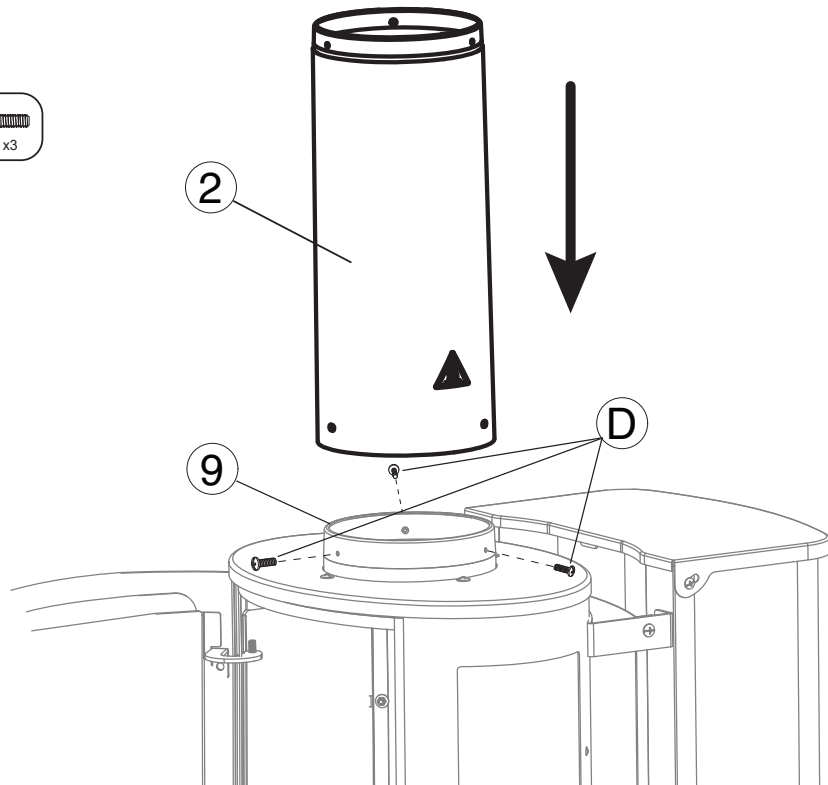
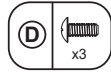
- Bend the tabs on upper chimney 4 90° outward. Then install upper chimney 4 onto chimney cap 5 and fasten in place with three M6 lock nuts K. Use wrench to tighten.



Assembly Instructions & User's Manual

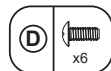
Step 5

- Install lower chimney (2) to chimney collar (9) and fasten in place with three M4 x 12 mm bolts (D).

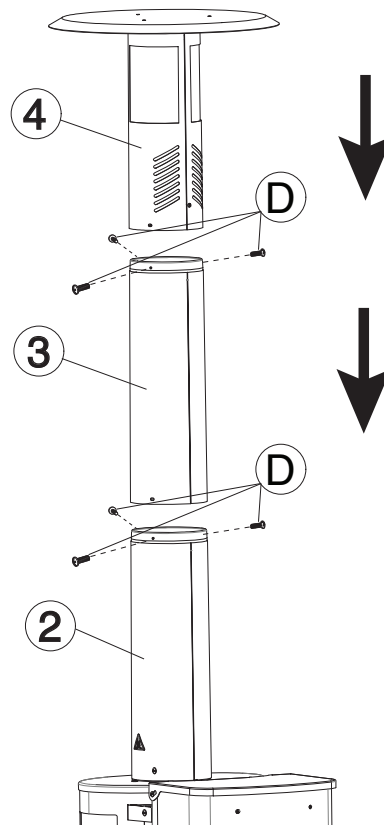


Step 6

- Install upper chimney (4) and middle chimney (3) to lower chimney (2) and fasten in place with six M4 x 12 mm bolts (D).



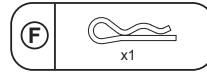
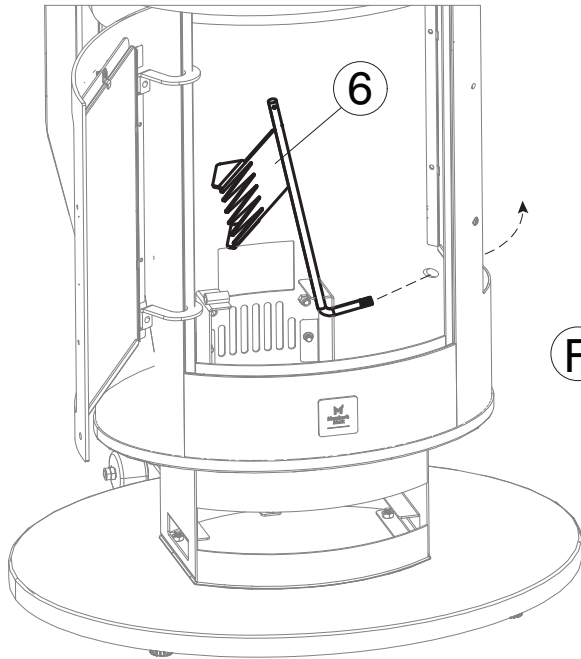
Note: Please make sure the chimney welding seam is facing towards the rear of the heater.



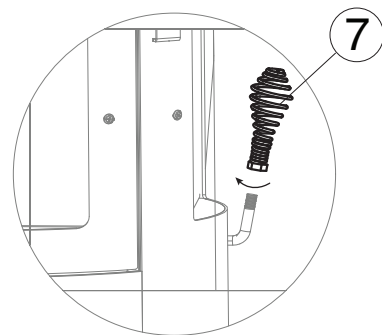
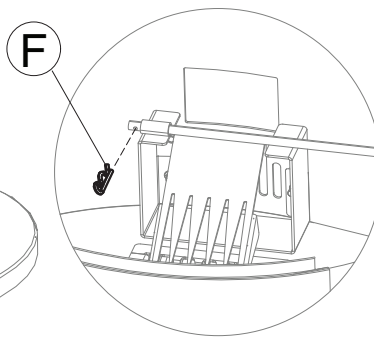


Assembly Instructions & User's Manual

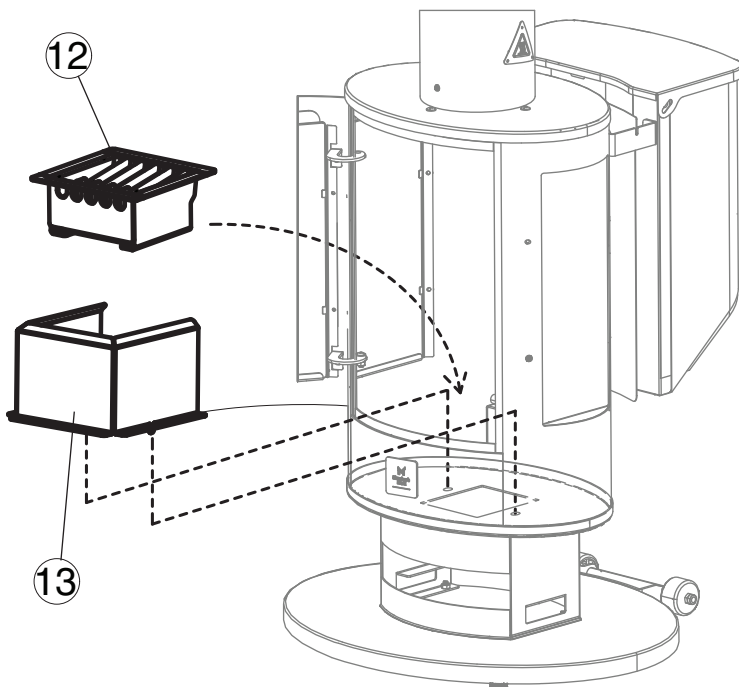
Step 7



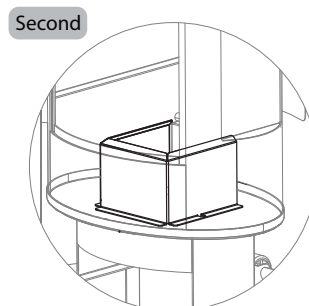
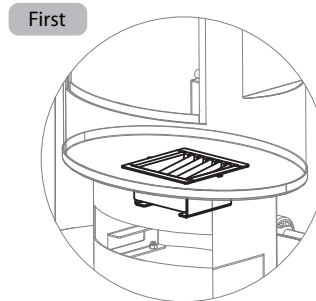
- Install heat adjustment lever (6) and lock into place with cotter pin (F).
- Install spring coil handle (7) onto heat adjustment lever (6).



Step 8



- Set firebox (12) in place. Center heat baffle (13) into holes in heater base around firebox (12).

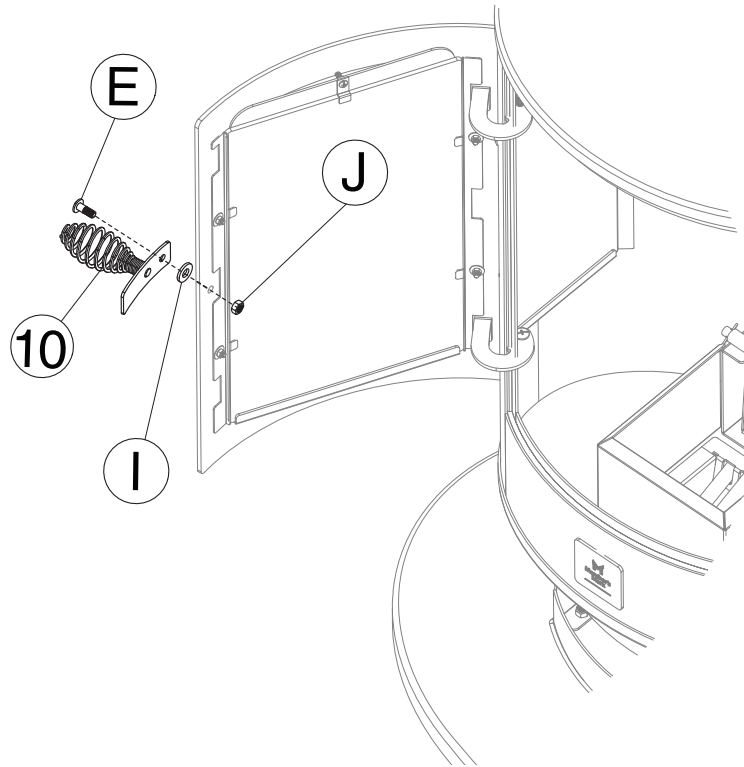
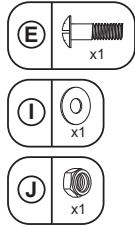




Assembly Instructions & User's Manual

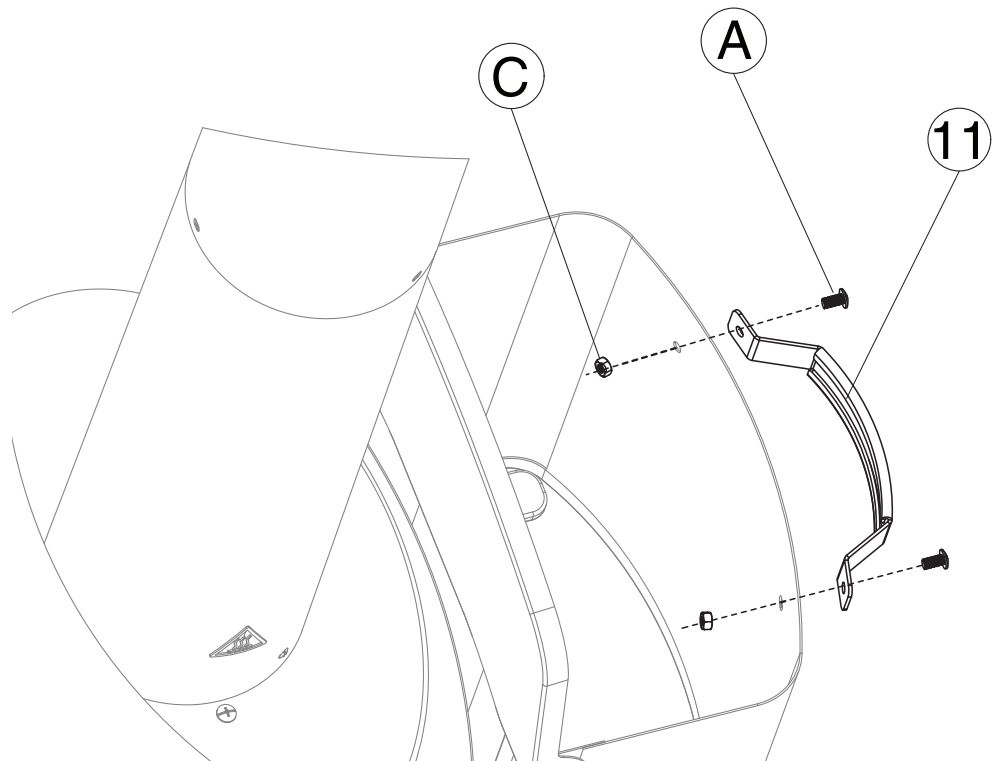
Step 9

- Install door latch **10** using one M6 x 16 mm bolt **E**, M6 washer **I** and M6 lock nut **J**. Use wrench to tighten.



Step 10

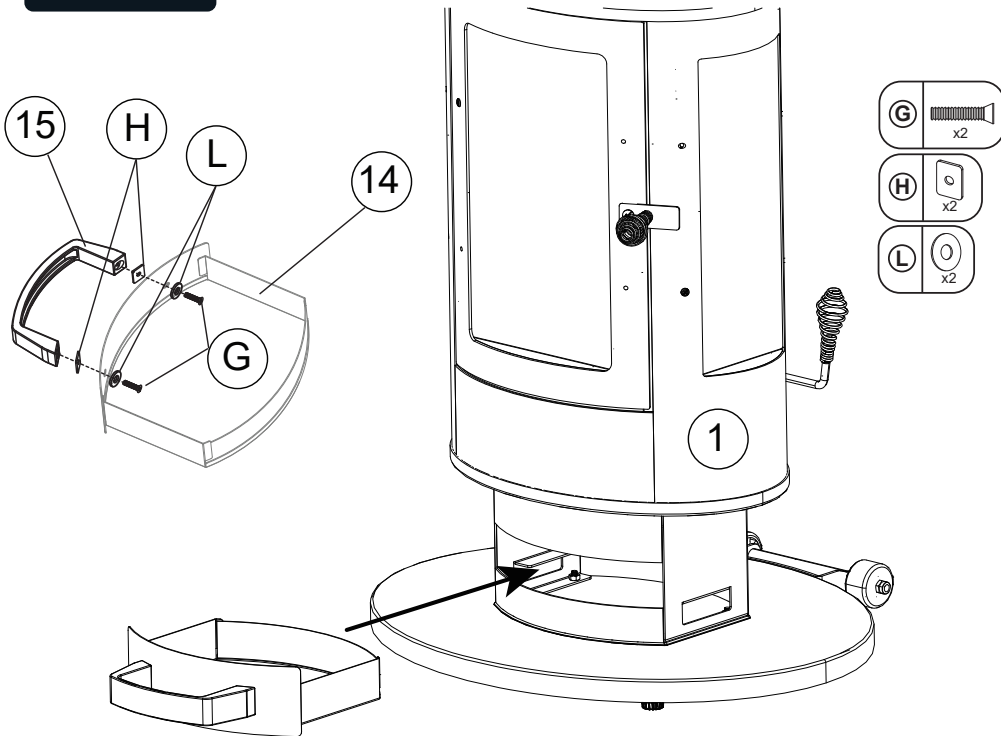
- Install hopper handle **11** on back of hopper body using two M6 x 12 mm bolts **A** and M6 nuts **C**.





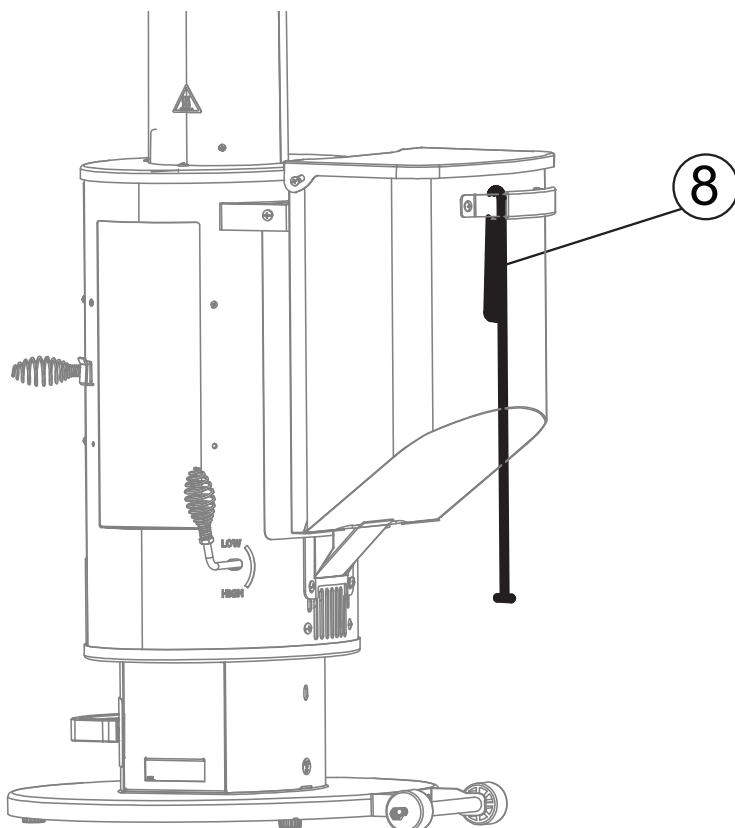
Assembly Instructions & User's Manual

Step 11



- Attach ash tray handle (15) to ash tray (14) using two M5 x 20 mm bolts (G), M5 washers (L) and square washers (H).
- Insert ash tray (14) into heater body (1).

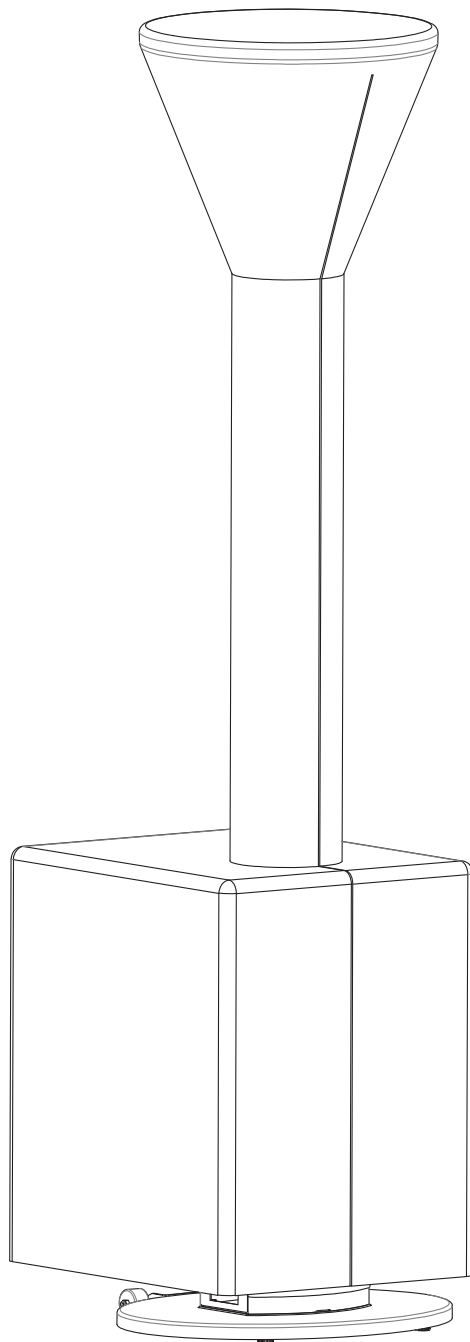
Step 12



- Hang rake tool (8) on the side of the hopper.



Assembly Instructions & User's Manual



Cover Included



Assembly Instructions & User's Manual

Warning

When using, basic safety precautions should always be followed including the following:

- Operate only per manufacturers instructions.
- Keep all combustible materials at least 36 inches (91.4 cm) away from the heater at all times. Do not use this heater under any overhang or near any combustible structures.
- Minimum clearance from side and back of unit to combustible materials, 36 inches (91.4 cm) from side and 36 inches (91.4 cm) from back.
- **DO NOT USE ON WOOD DECKS.** Always place heater on a hard, non-combustible smooth level surface.
- Keep a fire extinguisher on hand. Refer to your local authority to determine proper size and type.
- Creosote – Formation and need for removal. When wood pellets are burned slowly, they produce tar and other organic vapors that combine with expelled moisture to form creosote. The creosote vapors condense in a relatively cool oven flue and exhaust hood of a slow burning fire. As a result, creosote residue accumulates on the flue lining and exhaust hood. When ignited, this creosote makes an extremely hot fire.
- Do not attempt to touch heater during use. Use handles or knobs.
- Alert both children and elders to the hazard of high surface temperatures.
- Never leave appliance unattended. Hot while in operation. Keep children, clothing and furniture away. Contact may cause severe burns.
- Do not use accessories or attachments not recommended by the manufacturer, as they may not be compatible with this appliance, and may cause damage or injury.
- Do not use this appliance for anything other than its intended use.
- **NEVER** add heating pellets to a hot firebox by hand. You could be seriously burned. If the hopper runs out of pellets or your fire goes out, let the heater completely cool before relighting.
- Use only heating grade wood pellets.
- Always store wood pellets away from heat.
- **NEVER** use gasoline, gasoline-type lantern fuel, or similar liquids to start or “freshen up” a fire in this appliance. Keep all such liquids well away from the appliance when in use.
- Do not use this product for indoor heating, as toxic fumes will accumulate.
- This heater is not for use indoors. Do not use inside a building, garage or any other enclosed area.
- This product is not designed for commercial use.
- Beware of high winds. This can cause the heater to topple or tip over.
- This product is not designed for tabletop use. Do not set this product on a tabletop.
- Keep appliance clean. See Proper Care and Maintenance section for cleaning.
- Do not operate this heater while under the influence of drugs, alcohol, or while fatigued.
- Do not use in the presence of explosive or flammable gases, vapor or other substances.
- Do not use this heater unless it is completely assembled and all parts are securely fastened and tightened.
- Use only identical replacement parts.
- Do not attempt to move this appliance while it is in use.
- Keep heater covered when not in use - out of the reach of children. Do not clean this product with a water spray or the like.

Danger

Follow these guidelines to prevent this colorless, odorless gas from poisoning you, your family or others.

- **Know the symptoms of carbon monoxide poisoning; headache, dizziness, weakness, nausea, vomiting, sleepiness and confusion. Carbon monoxide reduces the blood's ability to carry oxygen. Low blood oxygen levels can result in loss of consciousness and death.**
- **See a doctor if you or others develop cold or flu-like symptoms while cooking or in the vicinity of this appliance. Carbon monoxide poisoning, which can easily be mistaken for a cold or flu, is often detected too late.**
- **Alcohol consumption and drug use increase the effects of carbon monoxide poisoning.**
- **Carbon monoxide is especially toxic to mothers and child during pregnancy, infants, the elderly, grills and people with blood or circulatory system problems, such as anemia or heart disease.**



Assembly Instructions & User's Manual

Troubleshooting

PROBLEM	CAUSE	CORRECTION
Fire is low	<ol style="list-style-type: none"> 1. Pellets are low. 2. Pellets are stuck in chute. 3. Firebox is blocked with ash. 4. Adjust heat adjustment lever. 	<ol style="list-style-type: none"> 1. Open hopper lid and fill hopper with more pellets. 2. Open hopper lid and use rake tool to dislodge pellet in chute.. 3. Raise heat by raising the heat adjustment lever to allow more pellets into the firebox.
Fire is too hot	<ol style="list-style-type: none"> 1. Adjust heat adjustment lever. 	<ol style="list-style-type: none"> 1. Reduce heat by lowering the heat adjustment lever to allow less pellets into the firebox.
Smoke comes out of pellet hopper	<ol style="list-style-type: none"> 1. There could be a fire inside the pellet chute. 	<ol style="list-style-type: none"> 1. Open hopper lid and close the shut-off lever inside the hopper. Allow fire to burn out on it's own.

Use Instructions

⚠ WARNING

Read and follow all warnings and instructions contained in the preceding sections of this manual.

BREAKING IN YOUR HEATER:

- In manufacturing and preserving the components of your heater, oil residue may be present on the surfaces.
- Please follow the "Initial Lighting Instructions" to cure the paint on your heater.

⚠ WARNING

- **DO NOT** leave your heater unattended while in use.
- **DO NOT** move heater when in use.

LIGHTING THE HEATER:

Initial Lighting Instructions (To be used on initial firing)

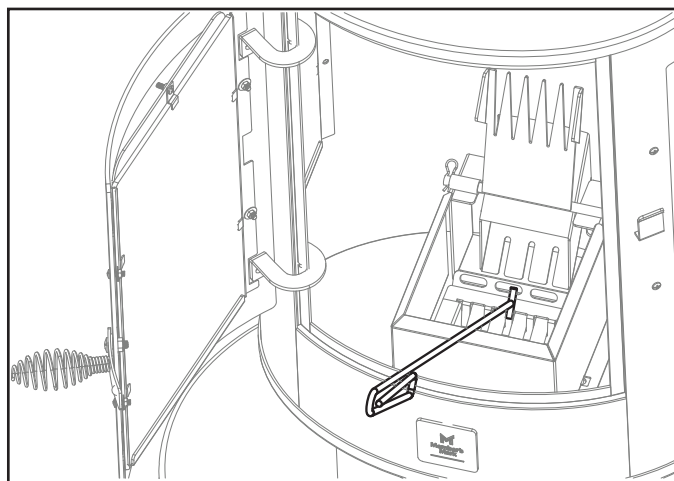
Push shut-off lever (inside the hopper) down, turn heat adjustment lever to low before filling hopper with pellets. Fill the hopper around ½ full. This one-time initial firing needs to be done to cure the paint on the unit. Put the heat adjustment lever on the LOW setting to limit the number of pellets in the firebox for the entire initial burn period. Having the heat adjustment lever on the HIGH setting on initial firing will result in very high temperatures and potentially damage your heater and voiding your warranty. Pull the shut off lever (inside the hopper) up and lock in place. Light the pellets and let it burn through all the pellets and allow the heater to cool down. You are now free to use the heater according to the remainder of these instructions. These initial lighting instructions allow the high temperature paint to cure properly. When curing, the paint will give off some smoke and this will happen for the first 15 minutes.



Assembly Instructions & User's Manual

OPERATING THE HEATER:

1. Make sure your heater has been assembled properly, with all bolts securely fastened.
2. Push the shut-off lever down (inside pellet hopper).
3. Fill hopper with pellets. The pellets will not fall into the firebox at this point since the shut-off lever is closed.
4. Open the door and make sure the heat baffle is centered around the firebox
5. Pull the shut-off lever up and lock in place (inside pellet hopper). This will allow pellets to fall into firebox.
6. Squirt a small amount lighter fluid or gel onto the pellets and ignite with a butane lighter or match and close the door.
7. Once the pellets have caught fire after 5 minutes or so you can put the heat adjustment lever in the High or Low setting.
8. Keep the door closed when using the heater. If the door is open, the heater will lose its draft and the pellets will not burn properly.
9. After several hours of use you may have excess pellets piled up at the bottom of the chute. If this happens, you will need to use the rake tool move pellets towards the front of the firebox. This only needs to be done after several hours of use to ensure maximum heat output.





Assembly Instructions & User's Manual

Storage Instructions

⚠ WARNING:

- Never move a heater when it is hot or in use.
- Never store flammable liquids or spray canisters near the heater.

CLEANING AND MAINTENANCE:

Clean all surfaces.

- If storing the heater outdoors, cover the heater for protection from the weather.
- If the heater is stored outside during the rainy season, care should be taken to ensure that water does not get into the pellet hopper. Wood pellets, when wet, expand greatly and will jam inside the hopper and chute.
- Keep the appliance free and clear of combustible materials, gasoline and other flammable vapors and liquids.
- For peak performance of your heater, perform these checks at least twice per year or after extended periods of storage.
- Never apply paint to the interior surface. Rust spots on the interior surface can be buffed, cleaned, and then lightly coated with vegetable oil or vegetable oil spray to minimize rusting.
- Be sure to tighten up all hardware (nuts, bolts, screws, etc.) at least twice per year.

⚠ CAUTION: Some parts may contain sharp edges. Wear protective gloves if necessary.

Technical Data

Pellet Heater

- Fuel Input Rating: 8.0 LBS/HR



Assembly Instructions & User's Manual



Assembly Instructions & User's Manual

Limited Warranty Information

This product is covered by the Sam's Club Member Satisfaction Guarantee. Please visit samsclub.com for more information.

Fair Game Group warrants to the original purchaser that the Wood Pellet Heater is free from defects due to workmanship or materials for one-year. Fair Game Group obligations under this warranty are limited to the following guidelines:

- This warranty does not cover heaters that have been altered/modified or damaged due to: normal wear, rust, abuse, improper maintenance and/or improper use.
- This warranty does not cover surface scratches, rust or heat damage to the finish, which is considered normal wear.
- Fair Game Group may elect to repair or replace damaged units covered by the terms of this warranty.
- This warranty extends to the original purchaser only and is not transferable or assignable to subsequent purchasers.

Fair Game Group requires reasonable proof of purchase. Therefore, we strongly recommend that you retain your sales receipt or invoice. To obtain replacement parts for your Wood Pellet Heater under the terms of this warranty, please call Customer Service Department at 1-855-735-9922. A receipt will be required. Fair Game Group will not be responsible for any heaters forwarded to us without prior authorization.

EXCEPT AS ABOVE STATED, FAIR GAME GROUP MAKES NO OTHER EXPRESS WARRANTY. THE IMPLIED WARRANTIES OF MERCHANTABILITY AND FITNESS FOR A PARTICULAR PURPOSE ARE LIMITED IN DURATION TO THOSE LISTED ABOVE FROM THE DATE OF PURCHASE. SOME STATES DO NOT ALLOW LIMITATIONS ON HOW LONG AN IMPLIED WARRANTY LASTS, SO THE ABOVE LIMITATION MAY NOT APPLY TO YOU. ANY LIABILITY FOR INDIRECT, INCIDENTAL OR CONSEQUENTIAL DAMAGES ARISING FROM THE FAILURE OF THE WOOD PELLET HEATER TO COMPLY WITH THIS WARRANTY OR ANY IMPLIED WARRANTY IS EXCLUDED. CUSTOMER ACKNOWLEDGES THAT THE PURCHASE PRICE CHARGED IS BASED UPON THE LIMITATIONS CONTAINED IN THE WARRANTY SET OUT ABOVE. SOME STATES DO NOT ALLOW THE EXCLUSION OR LIMITATION OF INCIDENTAL OR CONSEQUENTIAL DAMAGES, SO THE ABOVE LIMITATION OR EXCLUSION MAY NOT APPLY TO YOU. THIS WARRANTY GIVES YOU SPECIFIC LEGAL RIGHTS, AND YOU MAY ALSO HAVE OTHER RIGHTS WHICH VARY FROM STATE TO STATE.

NOTE: Please consider recycling all applicable packaging material.

Distributed by Sam's West Inc.
2101 SE Simple Savings Dr.
Bentonville, Arkansas 72716-0745
Made in China

Need Assistance? Visit us at: samsclub.com/membersmarkhelp