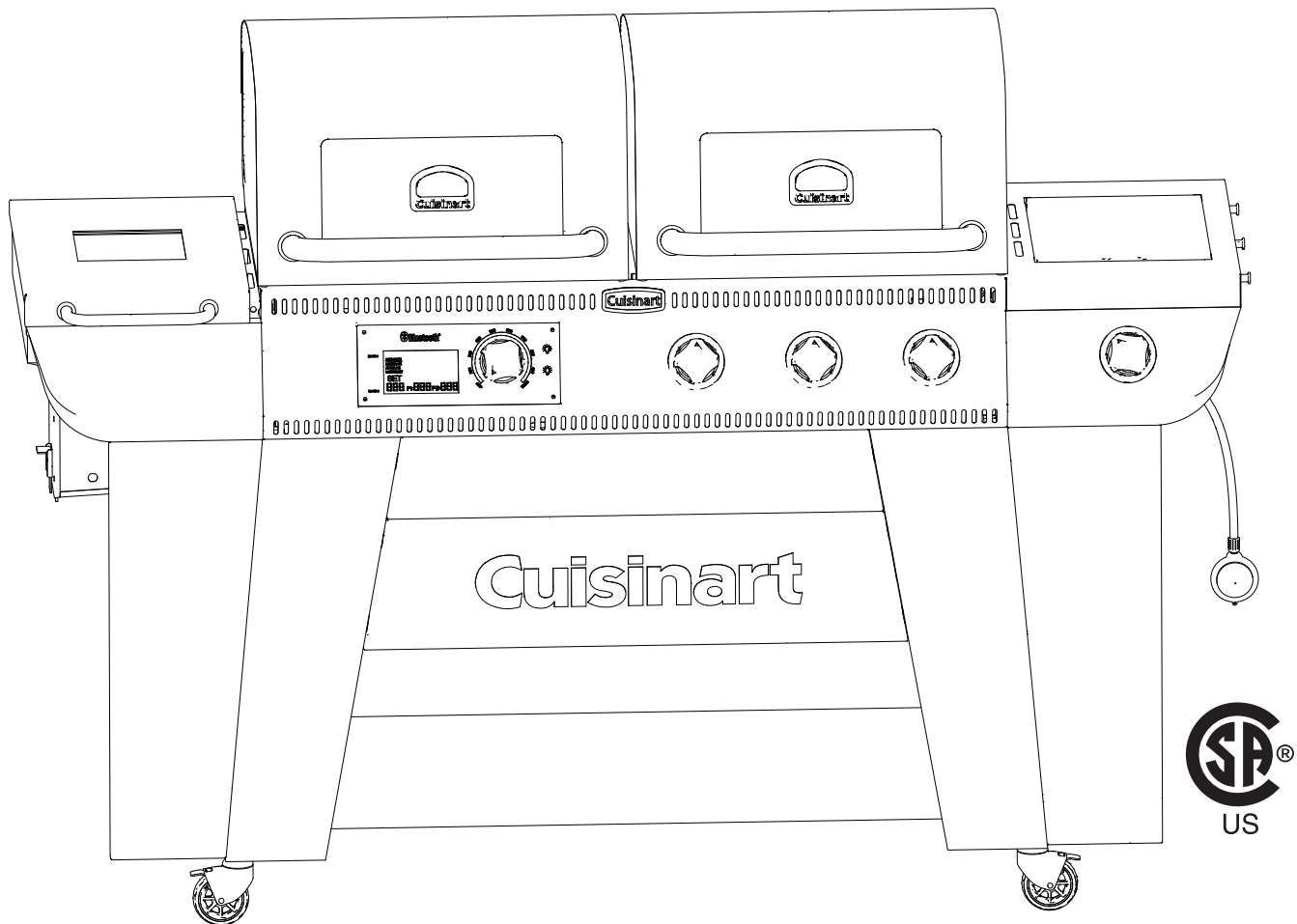


# Cuisinart®

## Twin Oaks Dual Function Grill

# ASSEMBLY INSTRUCTIONS

### Model GAS0356AS / GAS0356ASO



# ASSEMBLY INSTRUCTIONS:

**⚠ READ ALL SAFETY WARNINGS & ASSEMBLY INSTRUCTIONS CAREFULLY BEFORE ASSEMBLING OR OPERATING YOUR GRILL.**

**WE RECOMMEND TWO PEOPLE WORK TOGETHER WHEN ASSEMBLING THIS UNIT.**

The following tools are required to assemble this Cuisinart Twin Oaks Pellet Grill:

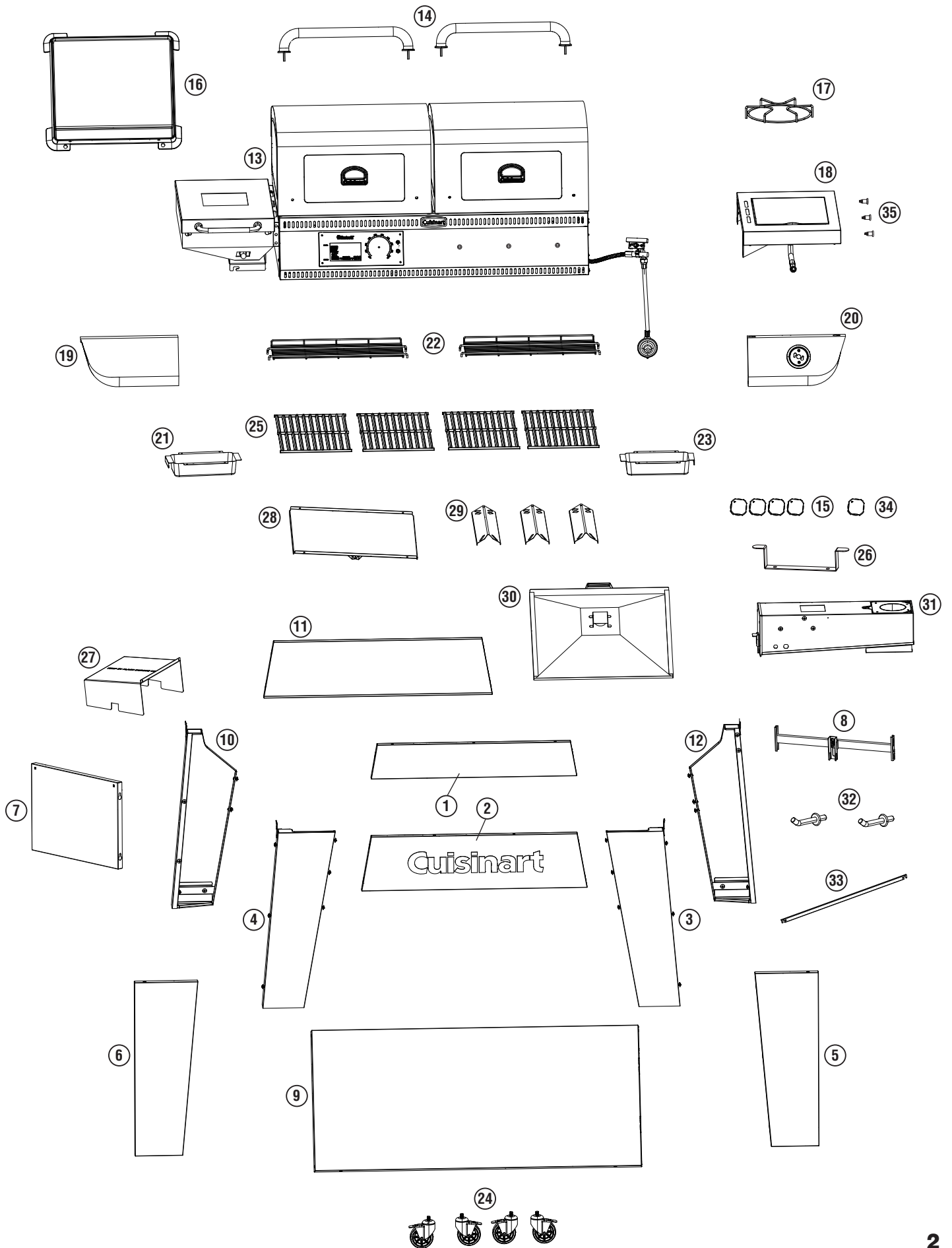
- **Phillips Screwdriver**
- **Pliers or Wrench**

## PARTS LIST:

①	1	Top Front Panel	⑮	1	Right Side Table
②	1	Bottom Front Panel	⑯	1	Left Side Control Panel
③	1	Right Front Leg	⑰	1	Right Side Control Panel
④	1	Left Front Leg	⑱	1	Grease Cup
⑤	1	Right Side Front Panel	⑲	2	Warming Racks
⑥	1	Left Side Front Panel	⑳	1	Ash Catcher
⑦	1	Left Side Panel	㉑	4	Casters
⑧	1	Cart Brace	㉒	4	Cooking Grates
⑨	1	Cart Base	㉓	1	Cord Wrap
⑩	1	Left Rear Leg	㉔	1	Heat Baffle
⑪	1	Back Panel	㉕	1	Heat Plate
⑫	1	Right Rear Leg	㉖	3	Heat Tents
⑬	1	Grill Body	㉗	1	Grease Tray
⑭	2	Hood Handles	㉘	1	Auger Housing
⑮	4	Gas Burner Control Knobs	㉙	2	Accessory Hooks
⑯	1	Griddle	㉚	1	Tank Block Bar
⑰	1	Side Burner Grate	㉛	1	Smoker Control Knob
			㉜	3	Accessory Hooks

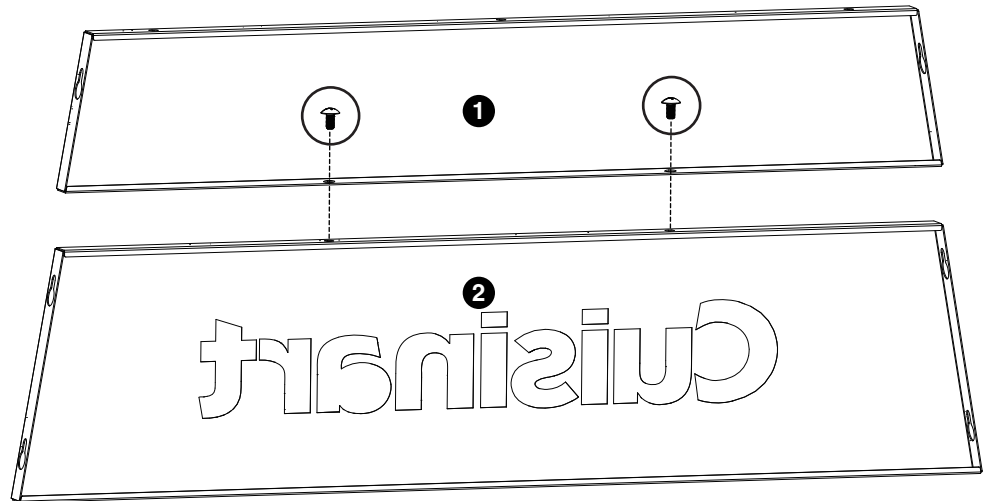
**Note:** Most hardware is pre-attached to the grill. You may need to loosen some screws partially while others may need to be removed in order to assemble parts. The screws that you remove will be re-used so don't misplace this hardware.

Extra screws are included in a small bag with the owners manual.



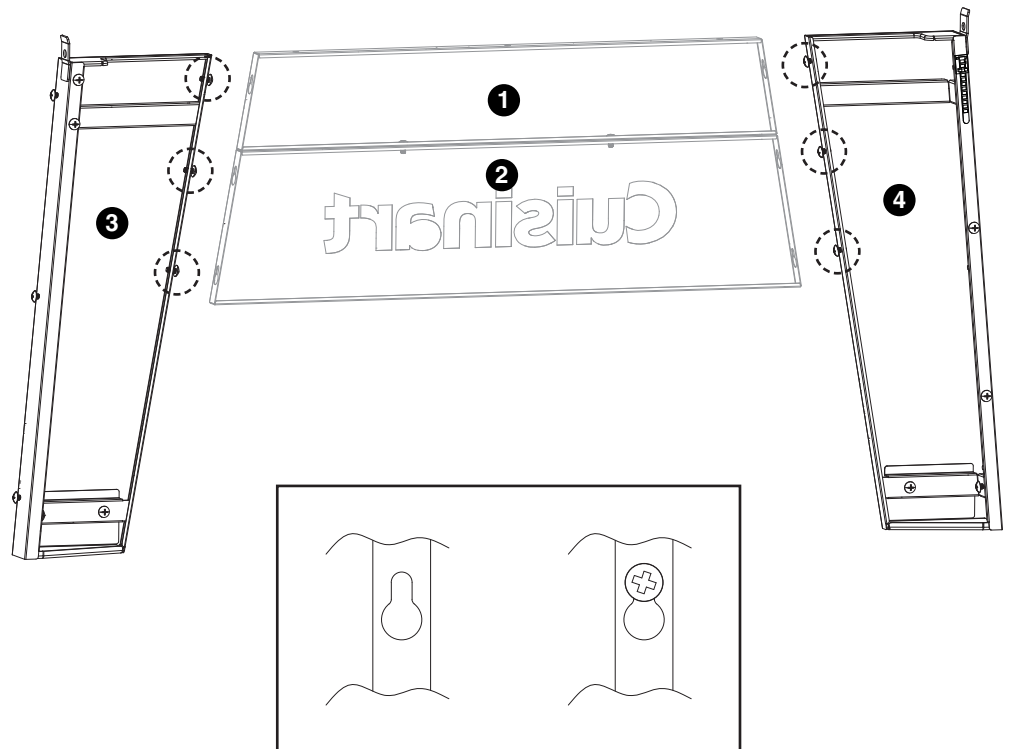
## Step 1

- Remove 2 screws
- Attach **FRONT PANELS** **1** and **2**
- Tighten 2 screws



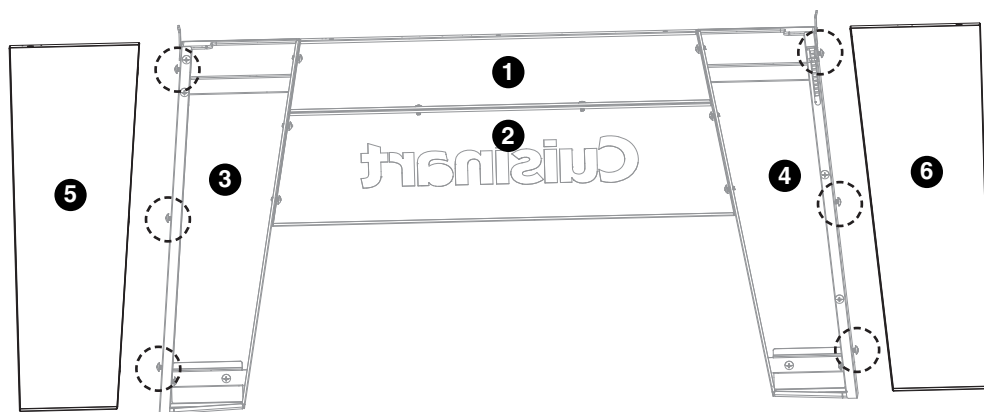
## Step 2

- Loosen 6 screws 3-4 turns on **FRONT LEGS** **3** and **4**
- Do not remove screws
- Attach **FRONT PANELS** **1** and **2** using keyholes
- Tighten 6 screws



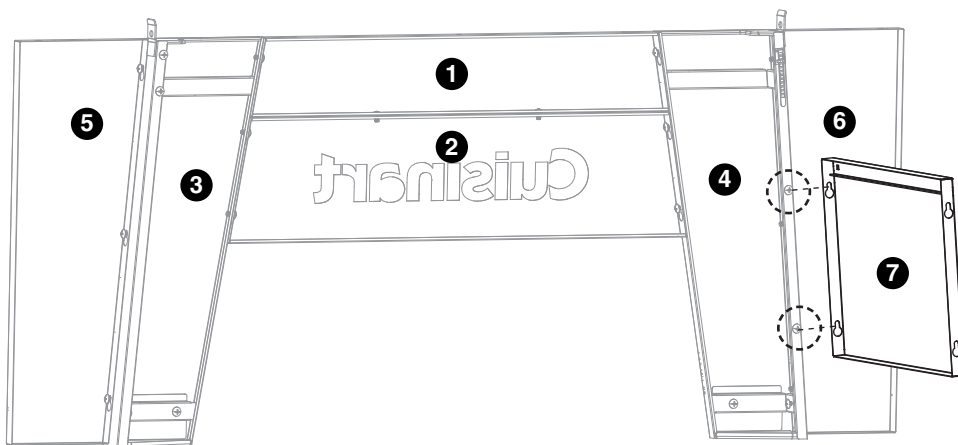
**NOTE:** Before tightening keyhole screws, make sure panels are aligned.

### Step 3



- Loosen 6 screws 3-4 turns on **FRONT LEGS 3** and **4**
- Do not remove screws
- Attach **RIGHT SIDE FRONT PANEL 5** and **LEFT SIDE FRONT PANEL 6**
- Tighten 6 screws on **RIGHT SIDE FRONT PANEL 5** and **LEFT SIDE FRONT PANEL 6**

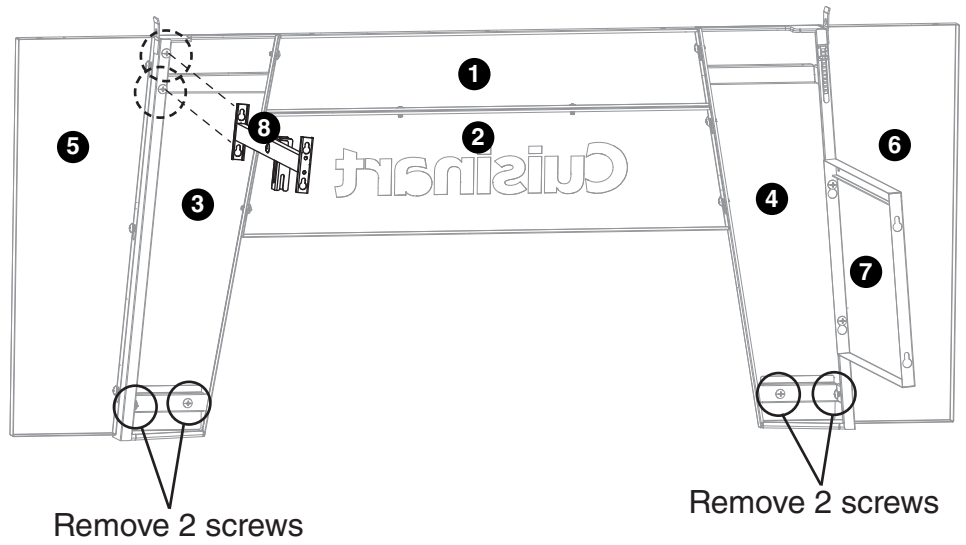
### Step 4



- Loosen 2 screws
- Attach **LEFT SIDE PANEL 7**
- Tighten 2 screws on **LEFT SIDE PANEL 7**

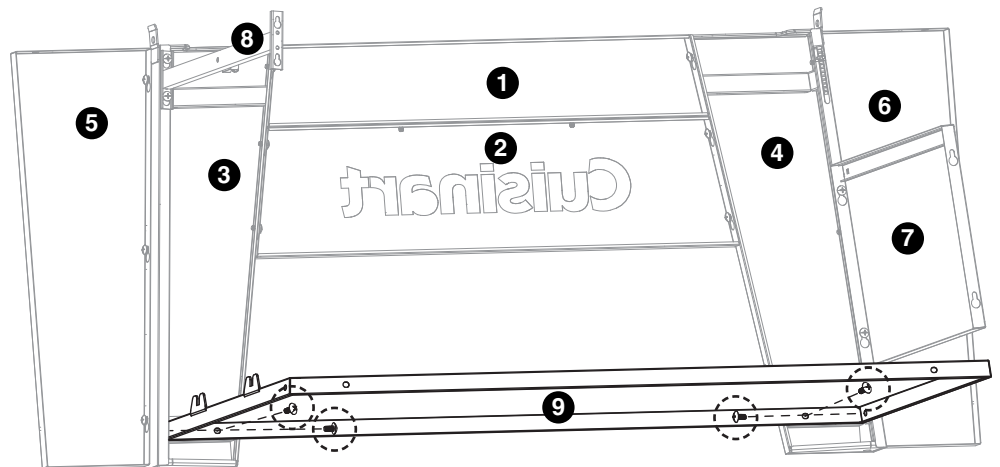
## Step 5

- Loosen 2 screws
- Attach **CART BRACE 8**
- Tighten 2 screws on **CART BRACE 8**
- Remove 4 screws

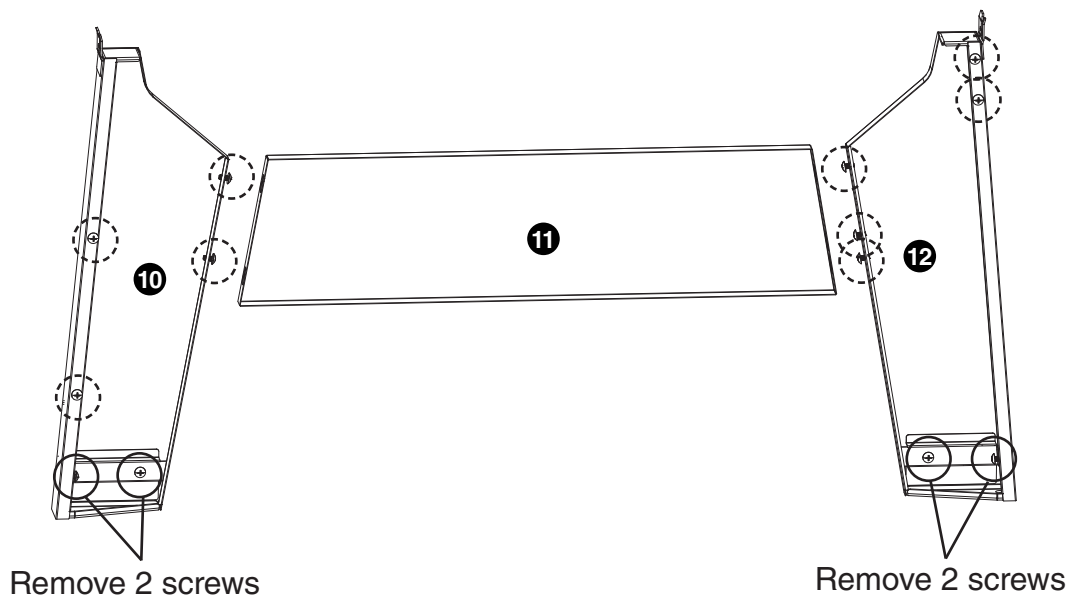


## Step 6

- Attach **CART BASE 9**
- Tighten 4 screws  
(Removed from  
Step 5)

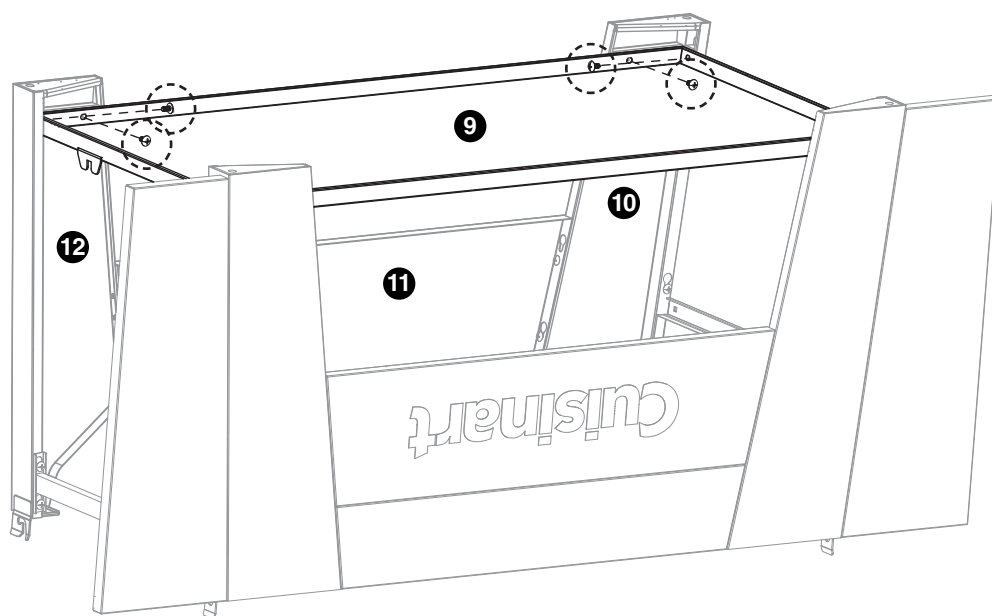


## Step 7



- Loosen 9 screws on **REAR LEGS 10** and **12**
- Attach **BACK PANEL 11** to **REAR LEGS 10** and **12**
- Tighten 5 screws
- Remove 4 screws

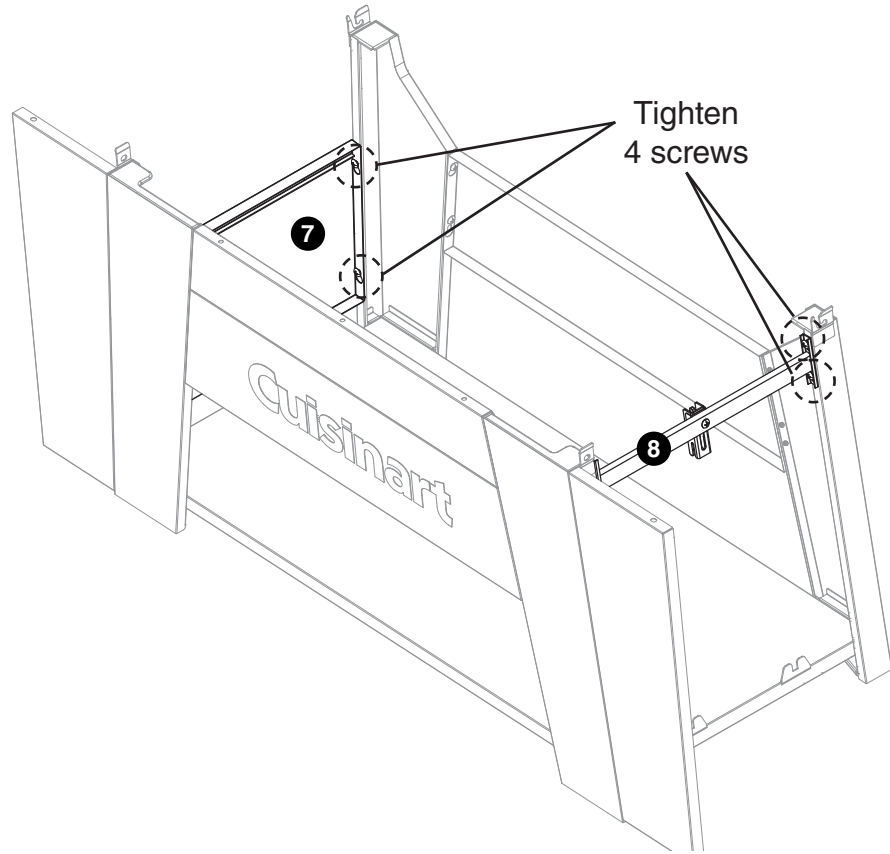
## Step 8



- Attach **CART BASE 9** to rear legs
- Tighten 4 screws (Removed from Step 7)

## Step 9

- Attach **LEFT SIDE PANEL 7** and **CART BRACE 8**
- Tighten 4 screws



## Step 10

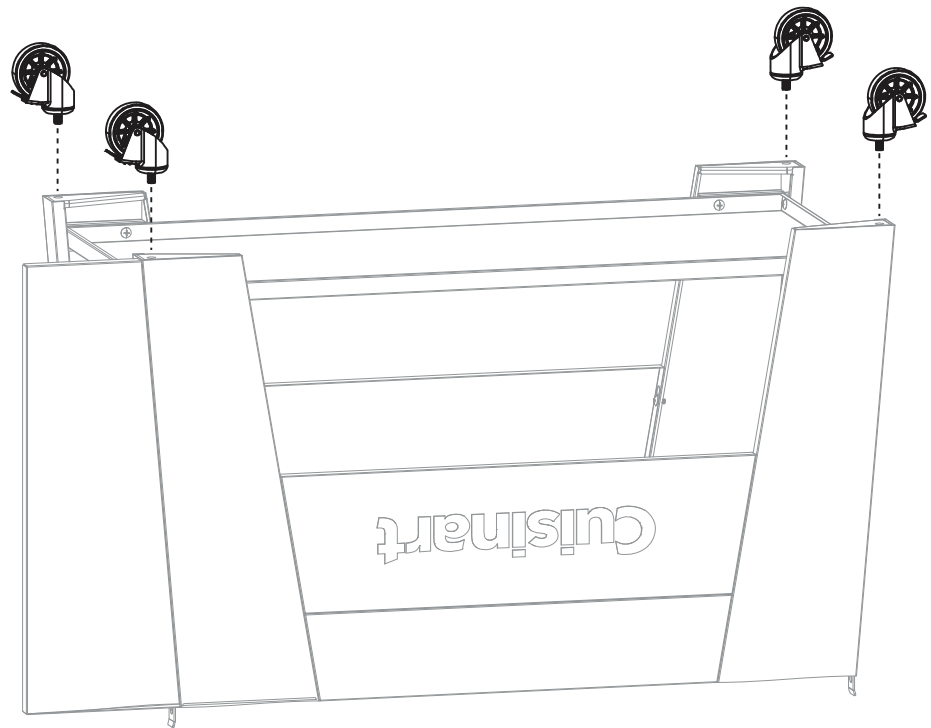
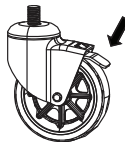
- Lock **CASTERS 24**
- Attach **CASTERS 24** to legs

### 24 CASTERS

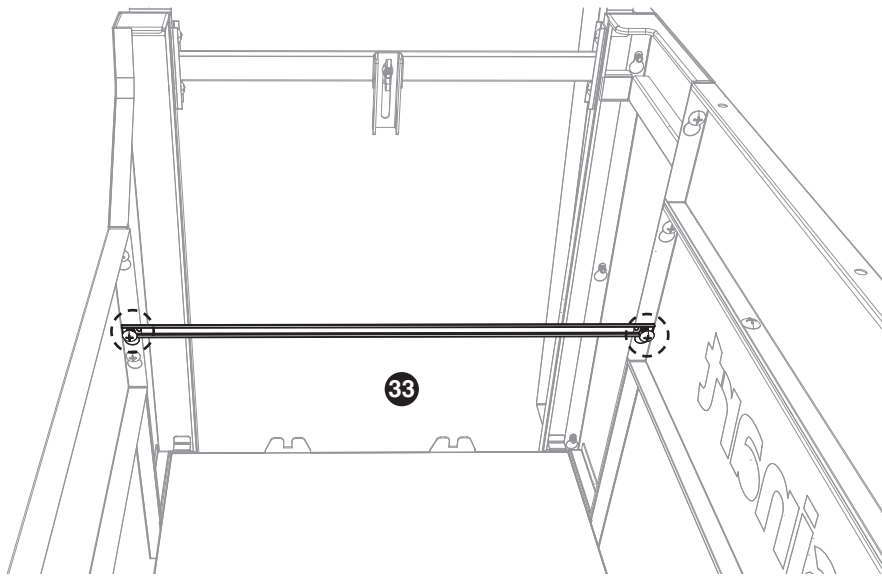
unlocked



locked

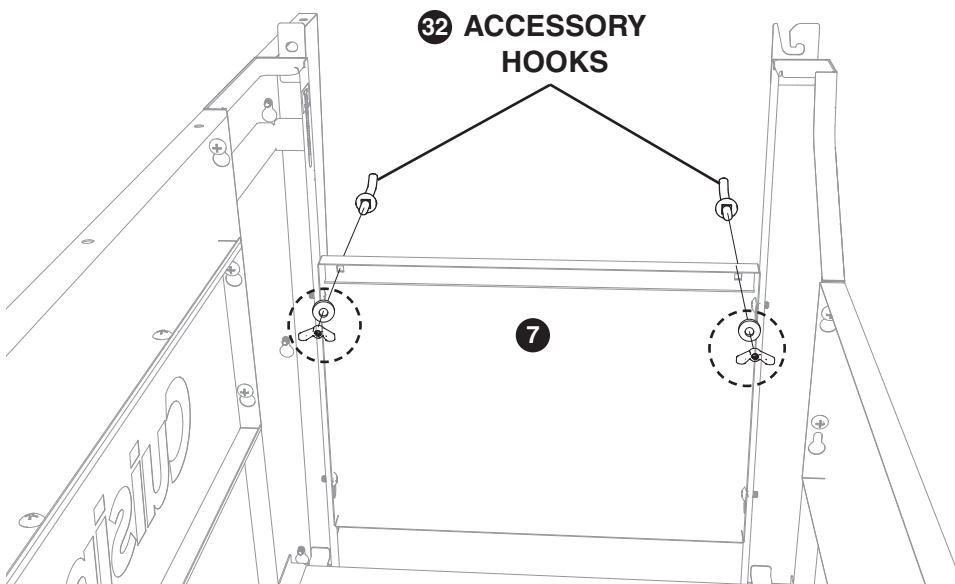






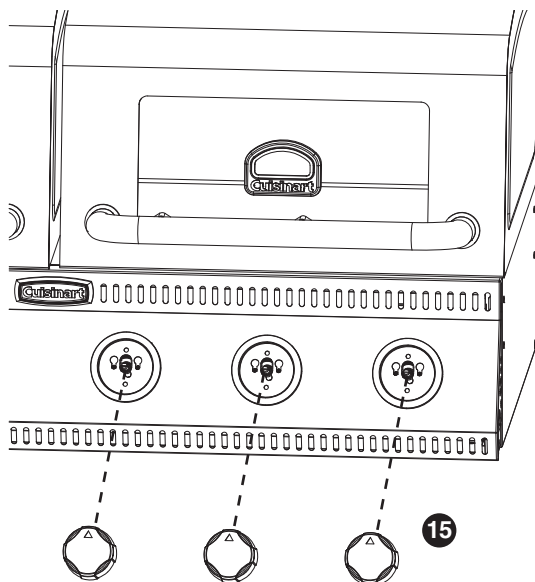
## Step 11

- Loosen 2 screws
- Install **TANK BLOCK BAR 33**
- Tighten screws



## Step 12

- Attach **ACCESSORY HOOKS 32** to **LEFT SIDE PANEL 7** with wing nuts and washers

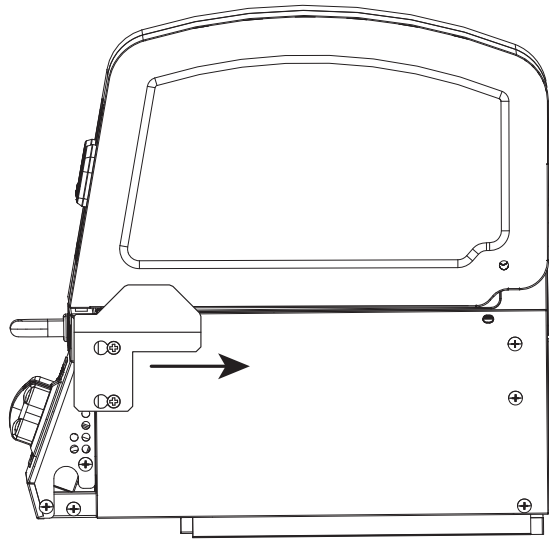


## Step 13

- Attach **GAS CONTROL KNOBS 15** to gas control panel

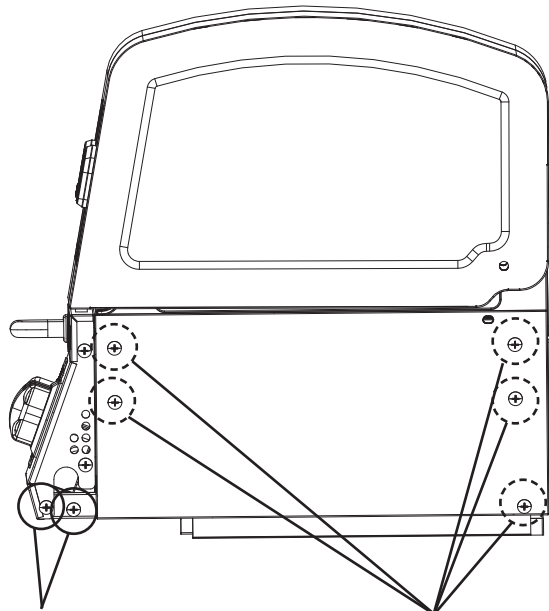
## Step 14

- Remove protective plate from right side of grill body assembly



## Step 15

- Loosen 5 screws
- Remove 2 screws

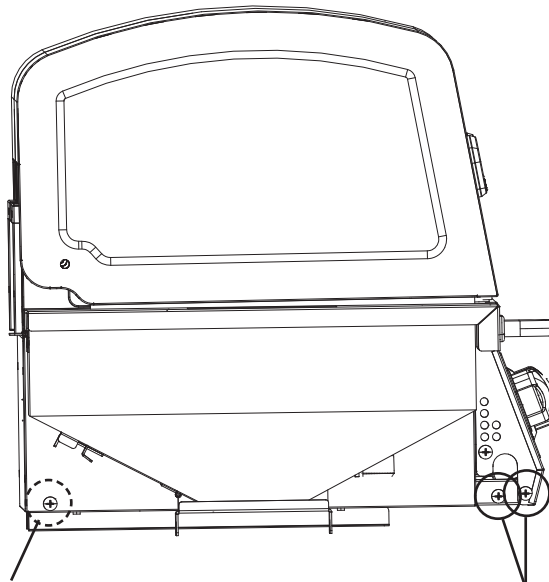


Remove 2 screws

Loosen 5 screws

## Step 16

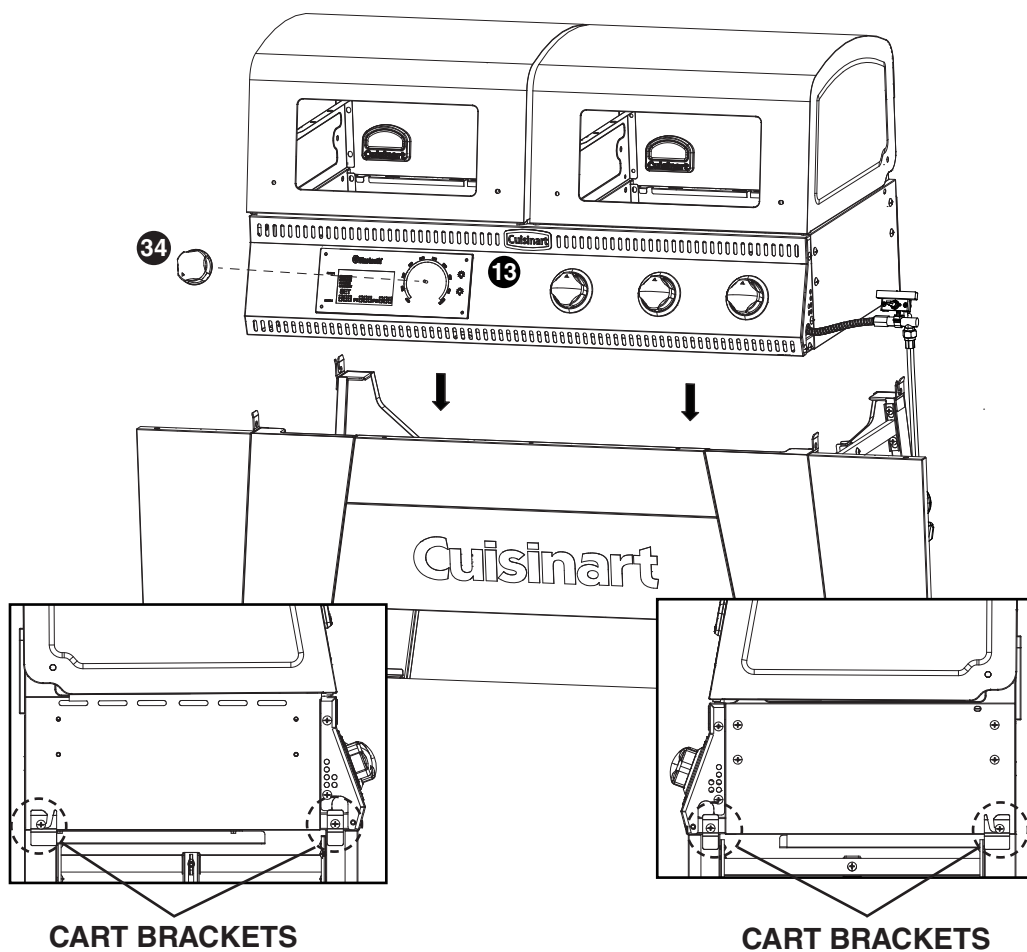
- Loosen 1 screw
- Remove 2 screws



Loosen 1 screw

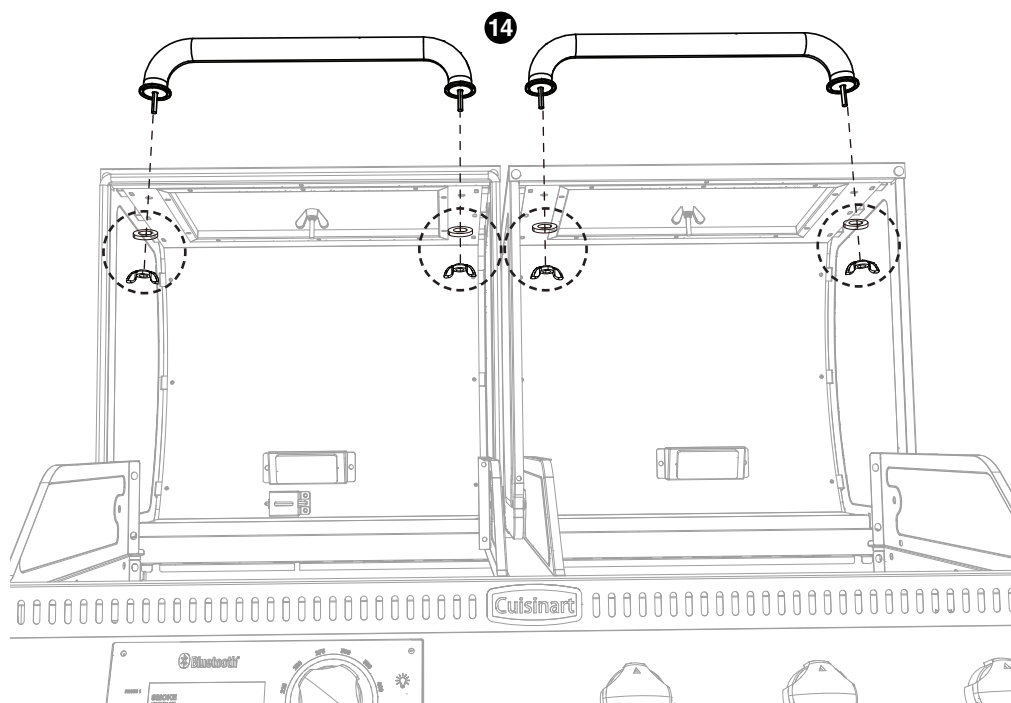
Remove 2 screws

## Step 17



- Set **GRILL BODY 13** on cart
- Make sure screw drops into rear cart brackets
- Push **GRILL BODY 13** to back of cart
- Install 2 screws in **FRONT BRACKETS** (Removed from Step 15 and Step 16)
- Tighten 4 screws on cart brackets (2 screws left over will be used in future steps)
- Attach **SMOKER CONTROL KNOB 34** on control panel

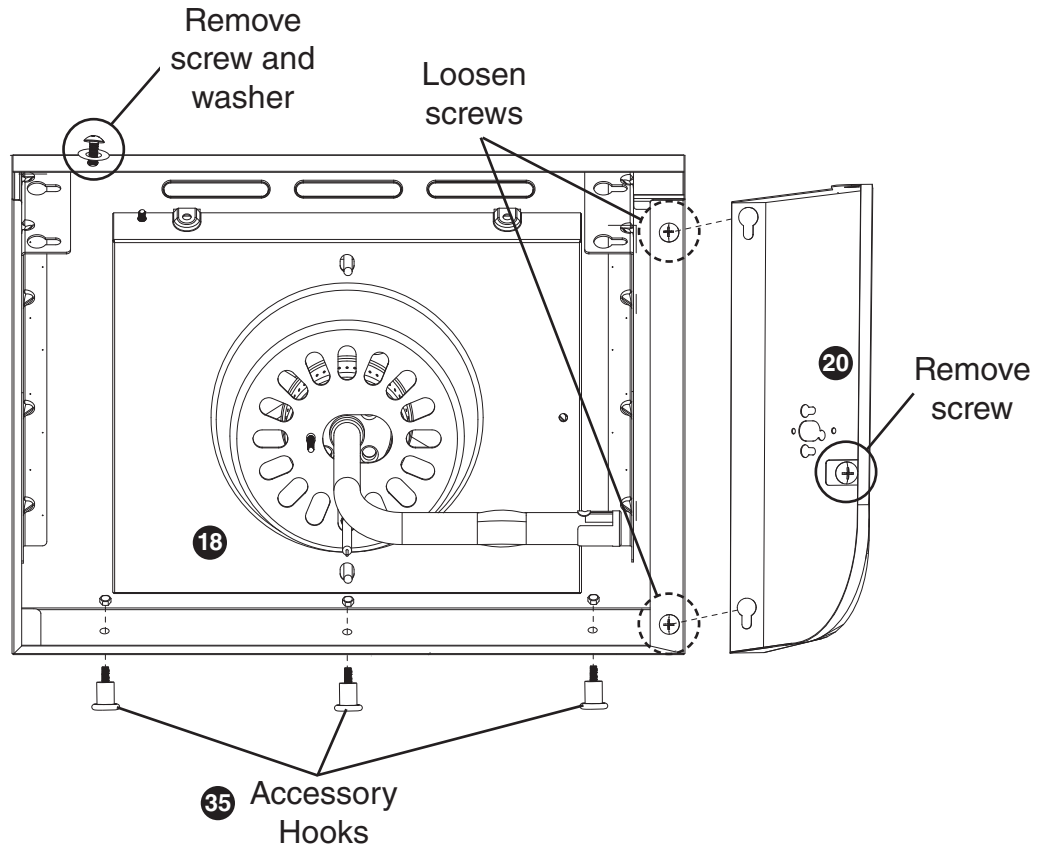
## Step 18



- Install **HOOD HANDLES 14** (Wing nuts, bezels and washers are pre-installed on handles)

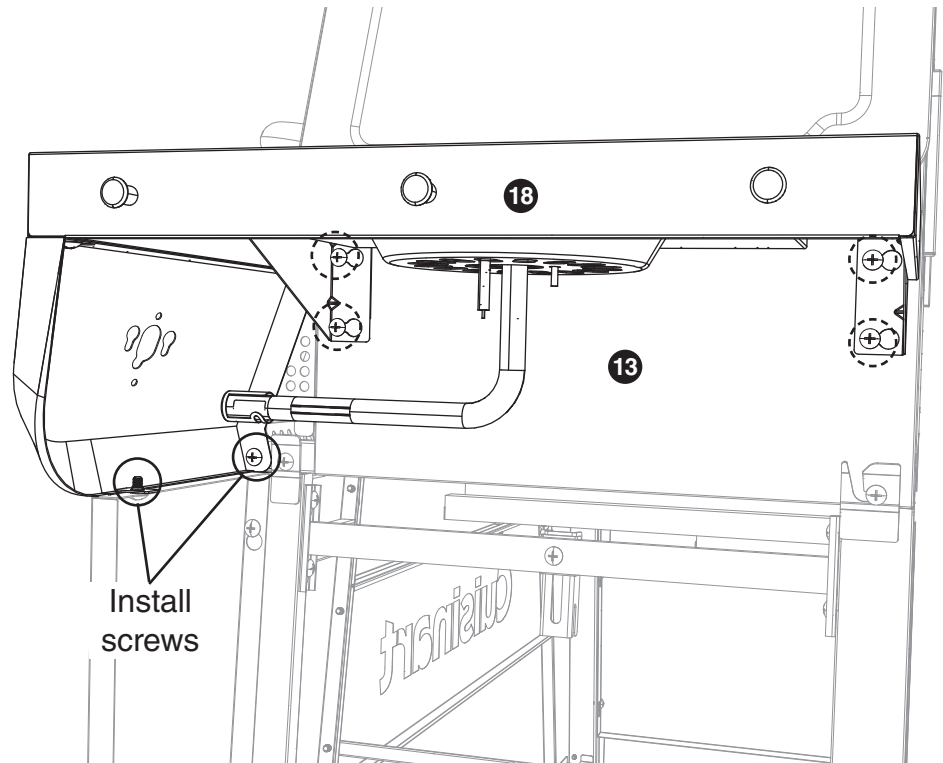
## Step 19

- Loosen 2 screws
- Attach **RIGHT SIDE CONTROL PANEL 20** to **RIGHT SIDE TABLE 18** using keyholes
- Tighten 2 screws
- Remove 2 screws and washer
- Attach **ACCESSORY HOOKS 35** to **RIGHT SIDE TABLE 18** using pre-attached nuts

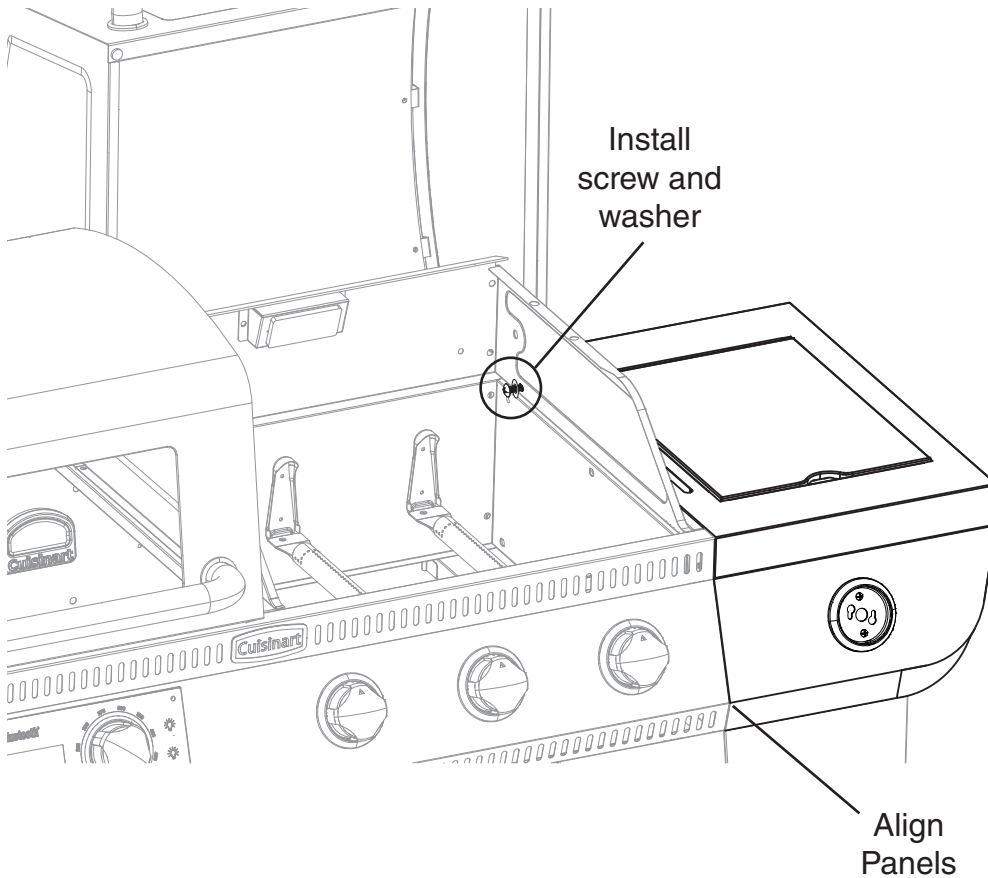


## Step 20

- Attach **RIGHT SIDE TABLE 18** to **GRILL BODY 13** using keyholes
- Do not tighten screws at this time
- Install and tighten 2 screws (Removed from Step 15 and Step 19)

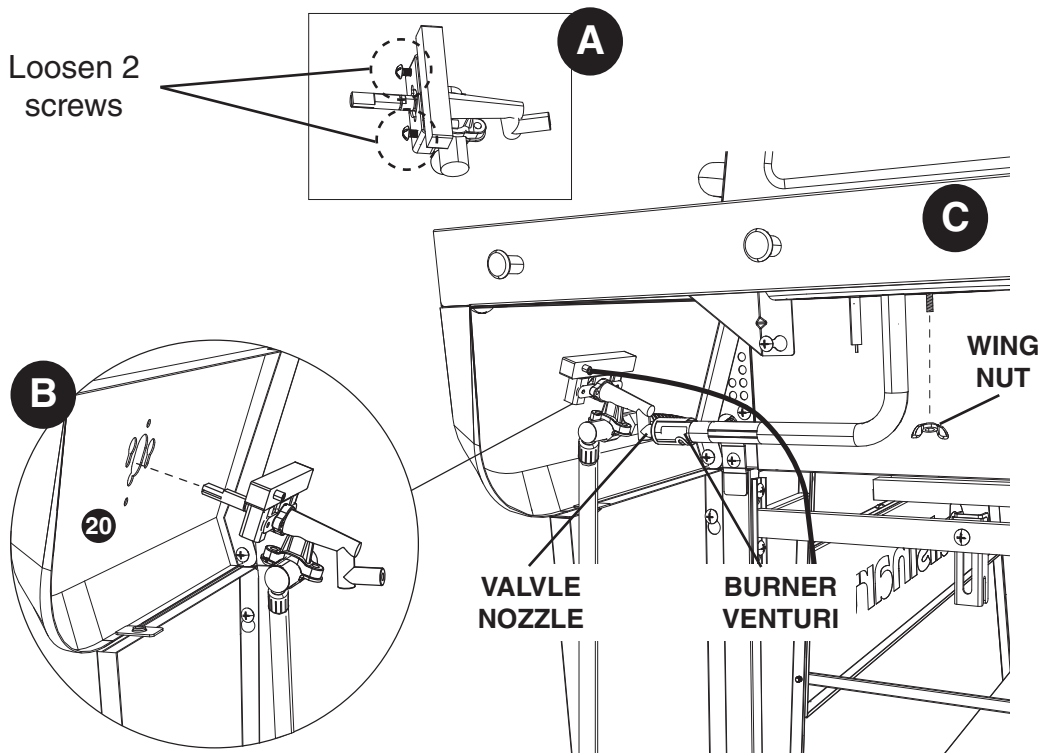


## Step 21



- Install screw and washer (Removed from Step 19)
- Make sure control panels are aligned
- Tighten 5 screws from Step 20 and Step 21

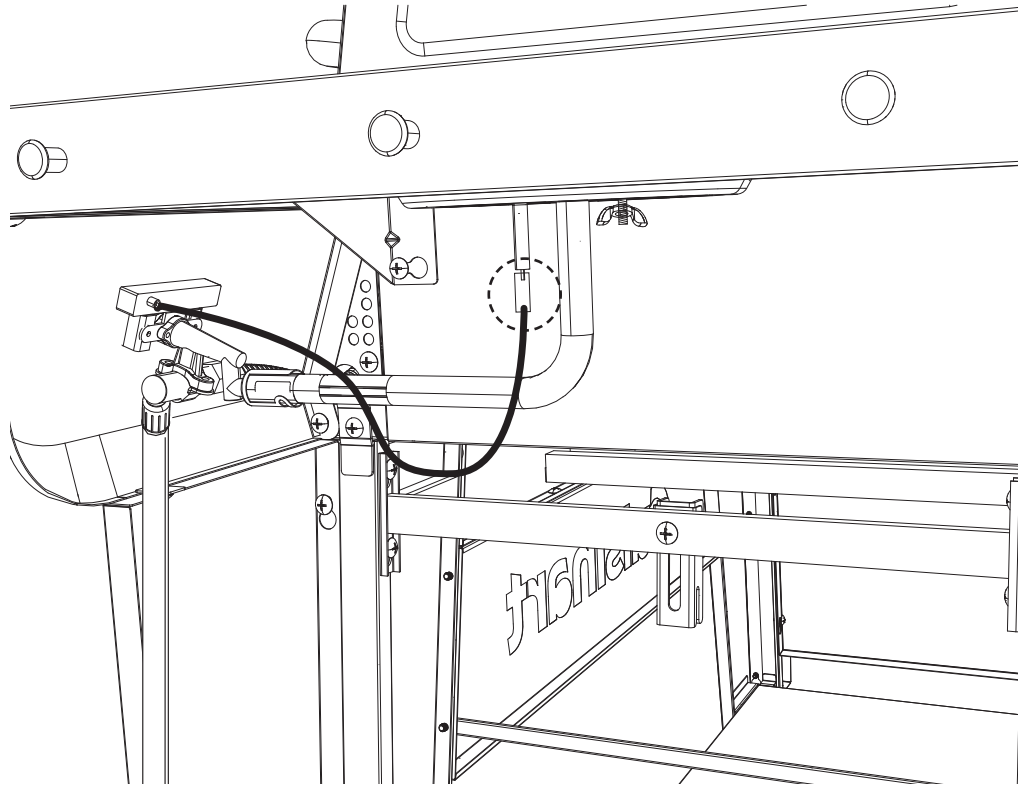
## Step 22



- Remove **WING NUT** and **SIDE BURNER**
- Loosen 2 screws from **SIDE BURNER VALVE **A****
- Install **SIDE BURNER VALVE** using keyholes in **RIGHT SIDE CONTROL PANEL **20**** and tighten screws **B**
- Install **SIDE BURNER** and make sure **BURNER VENTURI** fits over **VALVE NOZZLE **C****
- Tighten **WING NUT **C****

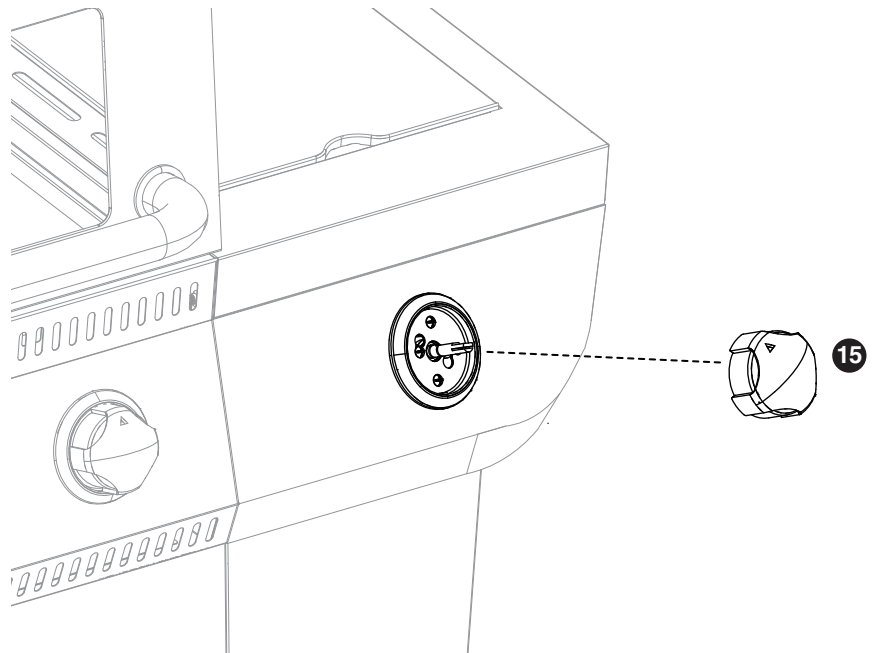
## Step 23

- Attach **ELECTRODE WIRE** to **IGNITOR**



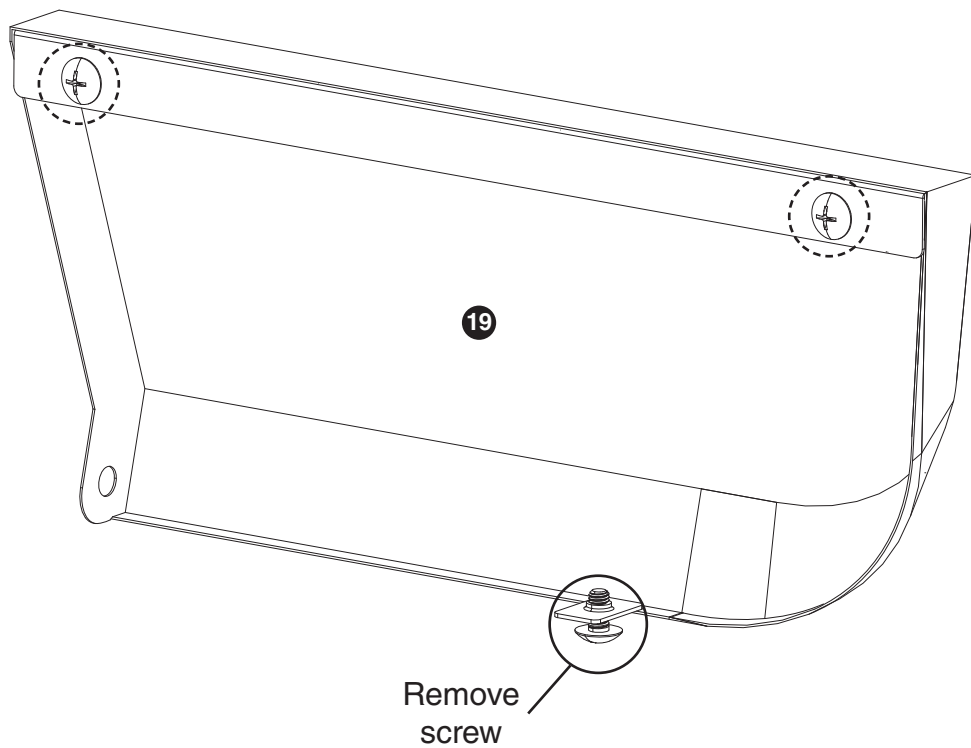
## Step 24

- Attach **CONTROL KNOB 15**



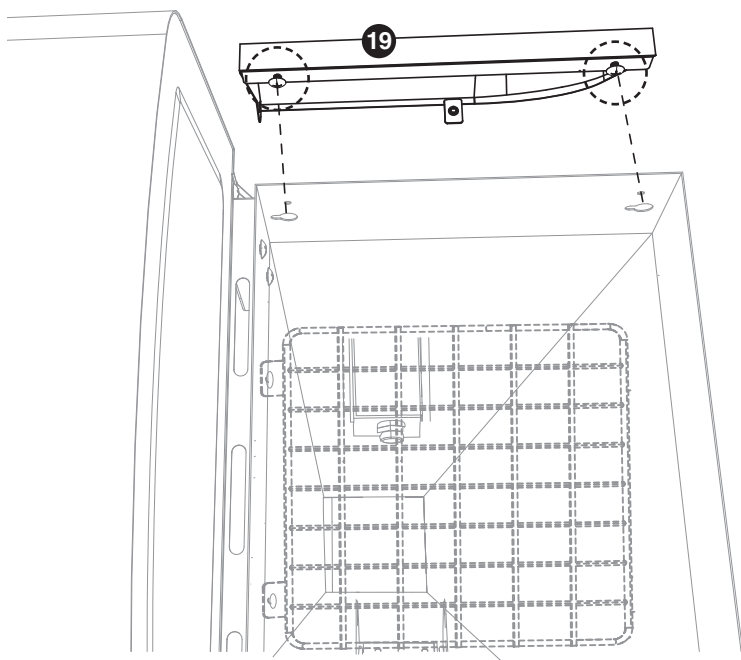
## Step 25

- Loosen 2 screws from **LEFT SIDE CONTROL PANEL 19**
- Remove 1 screw



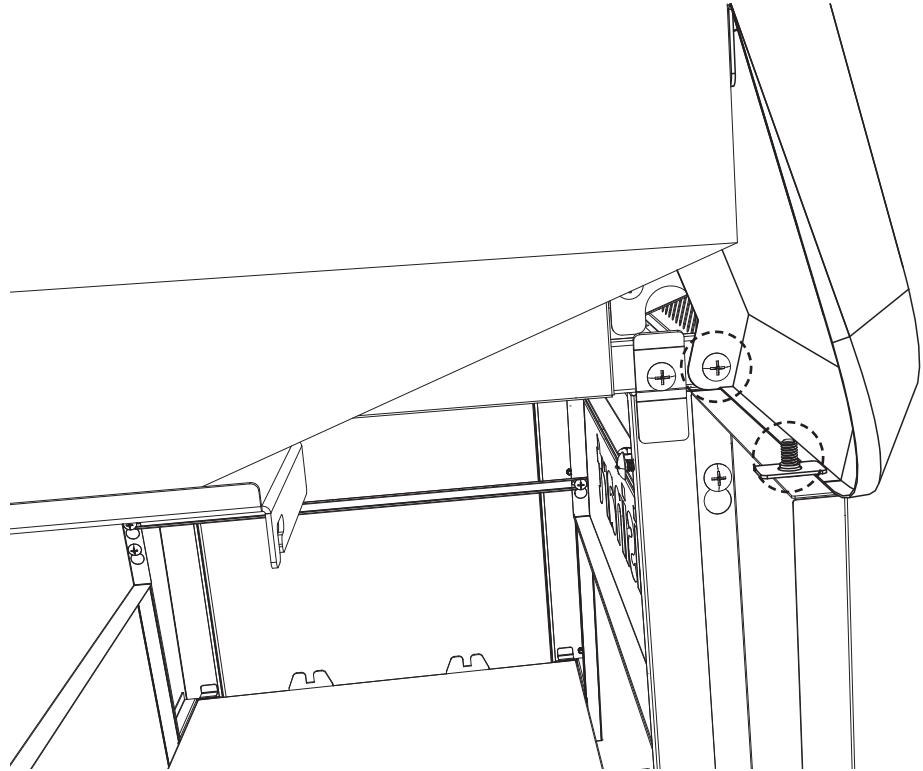
## Step 26

- Attach **LEFT SIDE CONTROL PANEL 19** to **PELLET HOPPER** using keyholes



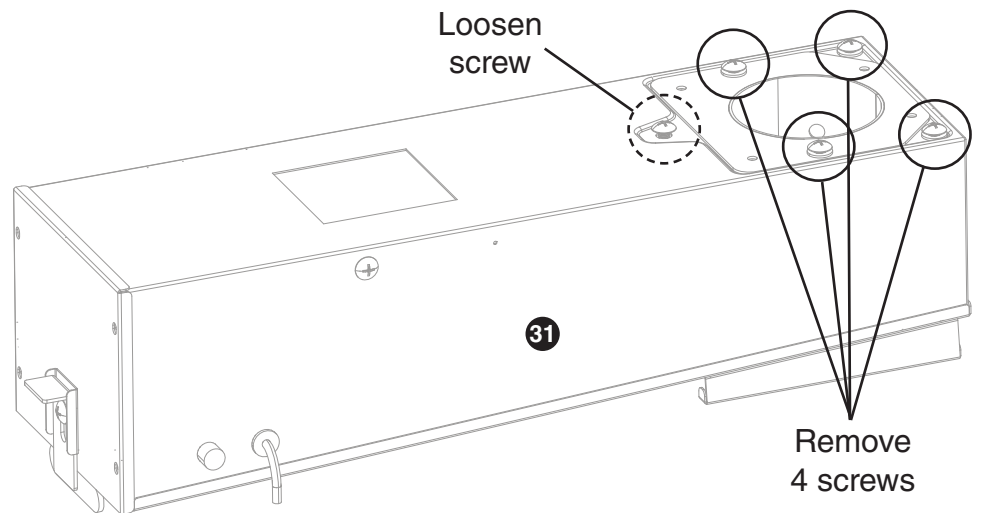
## Step 27

- Install and tighten 2 screws (Removed from Step 16 and Step 25)



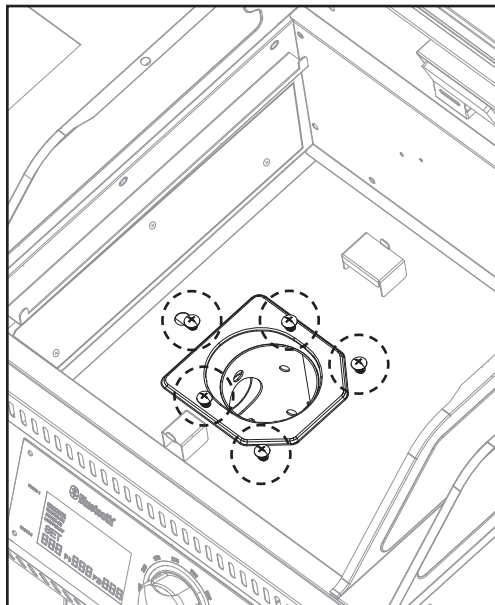
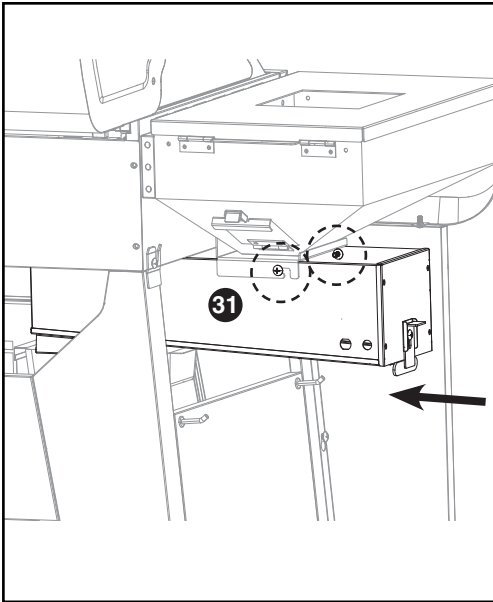
## Step 28

- Remove 4 screws and washers from **AUGER HOUSING 31**
- Loosen 1 screw

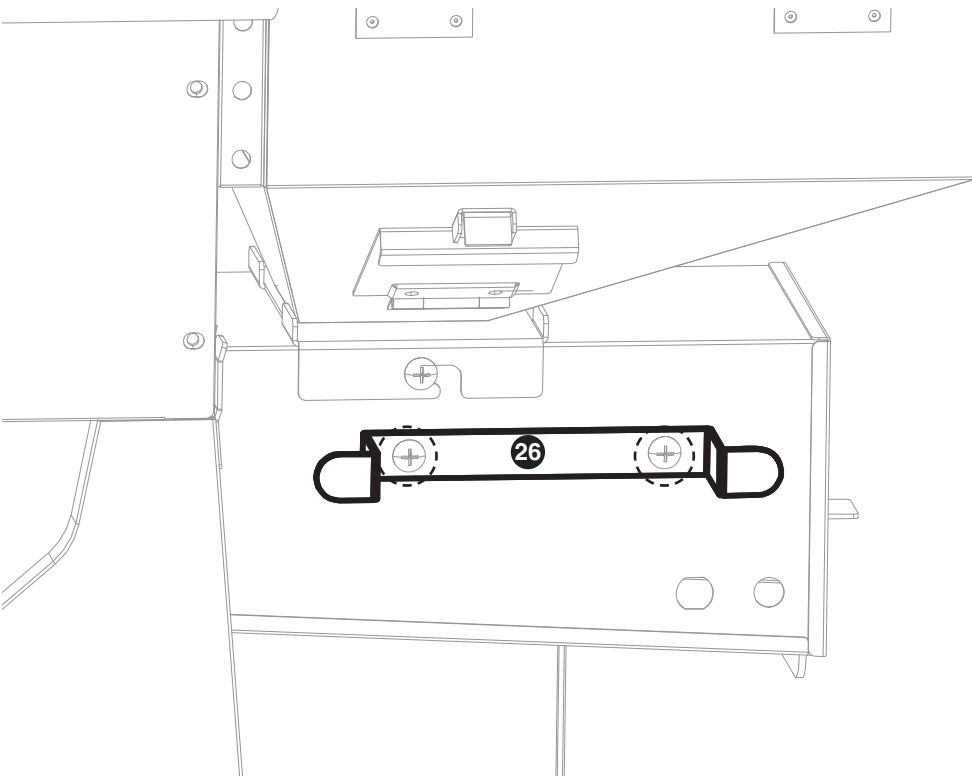




## Step 29



- Install **AUGER HOUSING 31** using keyhole in firebox and slots in pellet hopper bracket
- Tighten 5 screws and washers in firebox

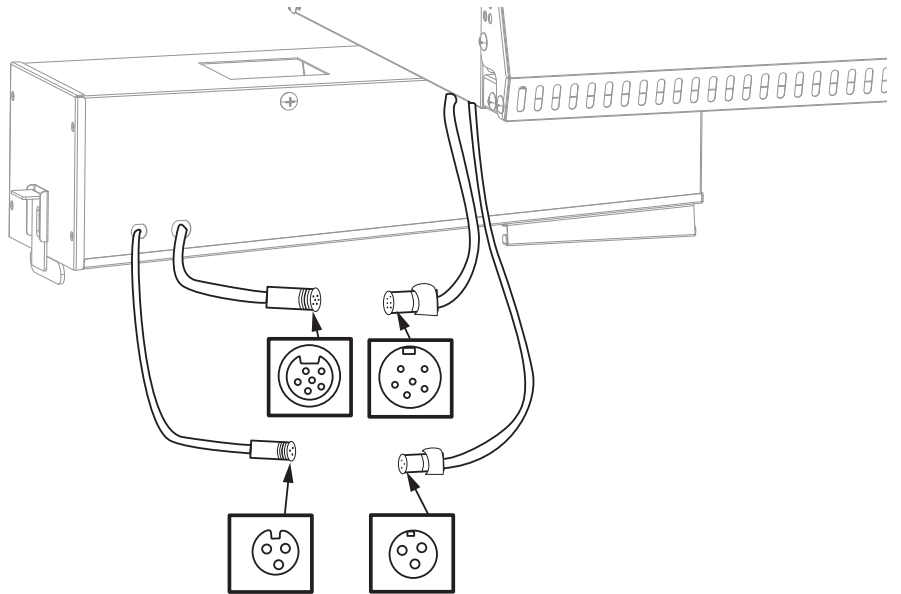


## Step 30

- Remove 2 screws
- Attach **CORD WRAP 26** using 2 screws

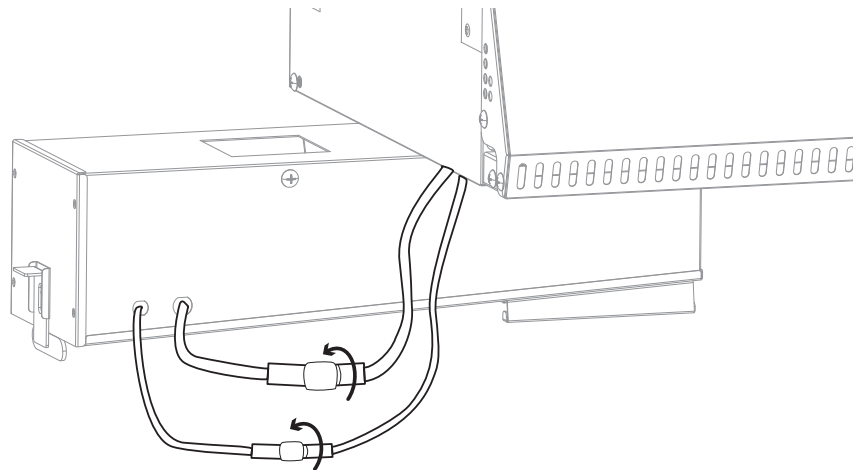
## Step 31a

- Connect wiring for Controller and Pellet Sensor
- These wires can only be connected one way
- Make sure the connectors are lined up properly before tightening



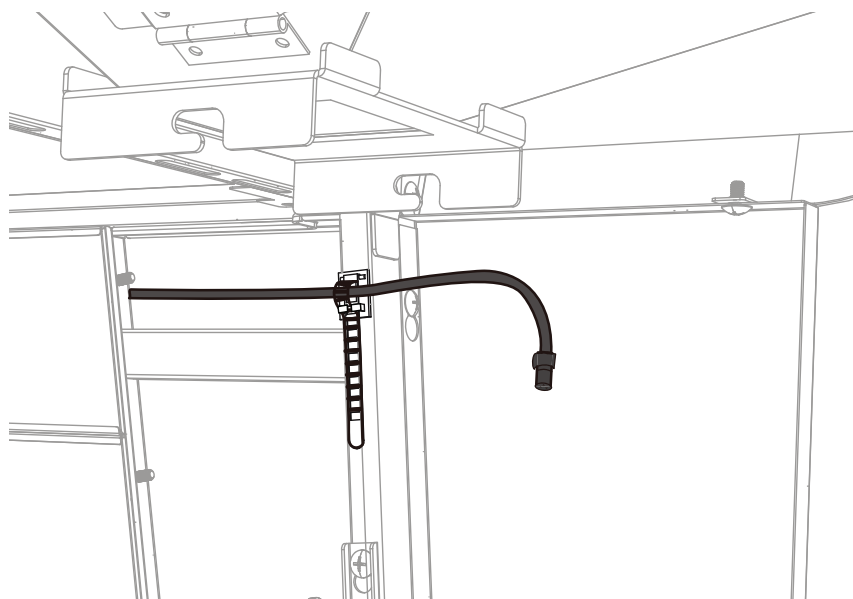
## Step 31b

- Once connected, twist to tighten



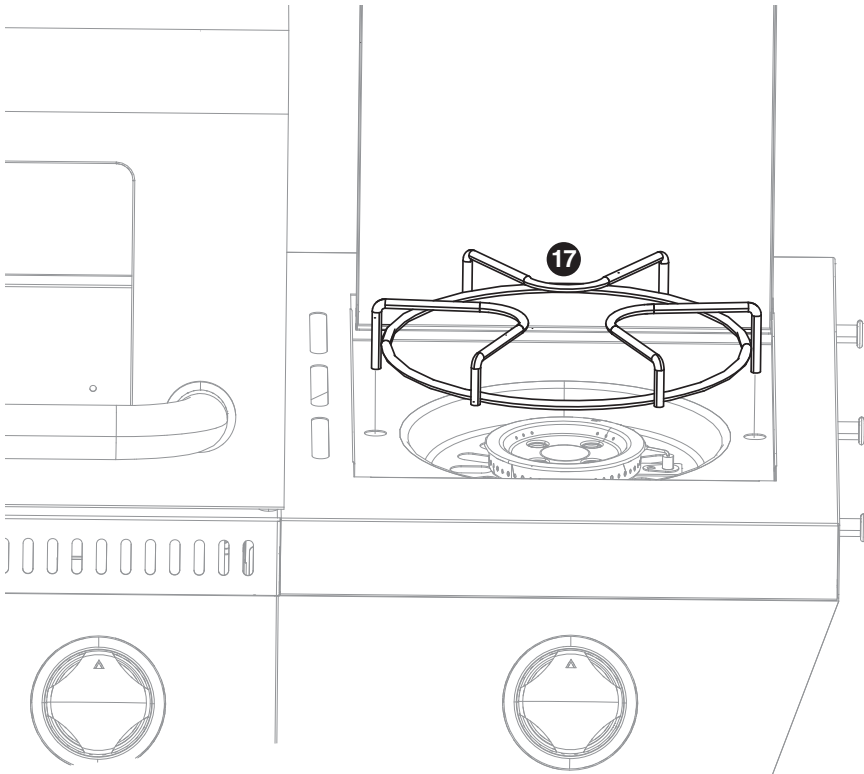
## Step 31c

- Secure wiring with cord clip.



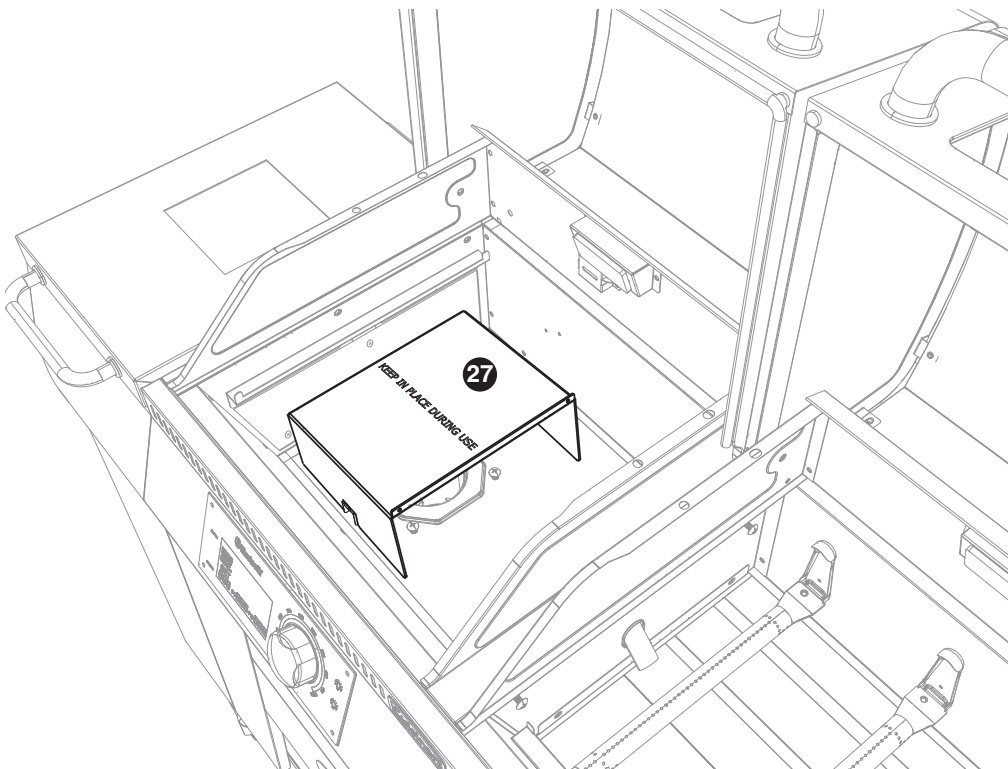
## Step 32

- Install **SIDE BURNER GRATE 17**



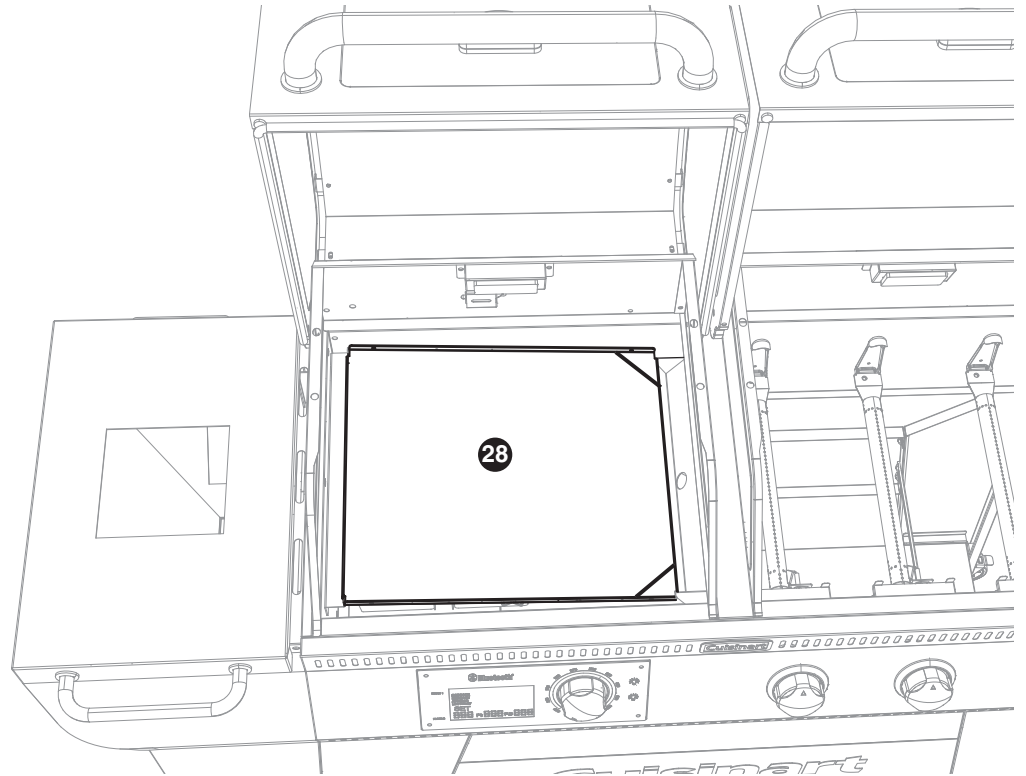
## Step 33

- Attach **HEAT BAFFLE 27**



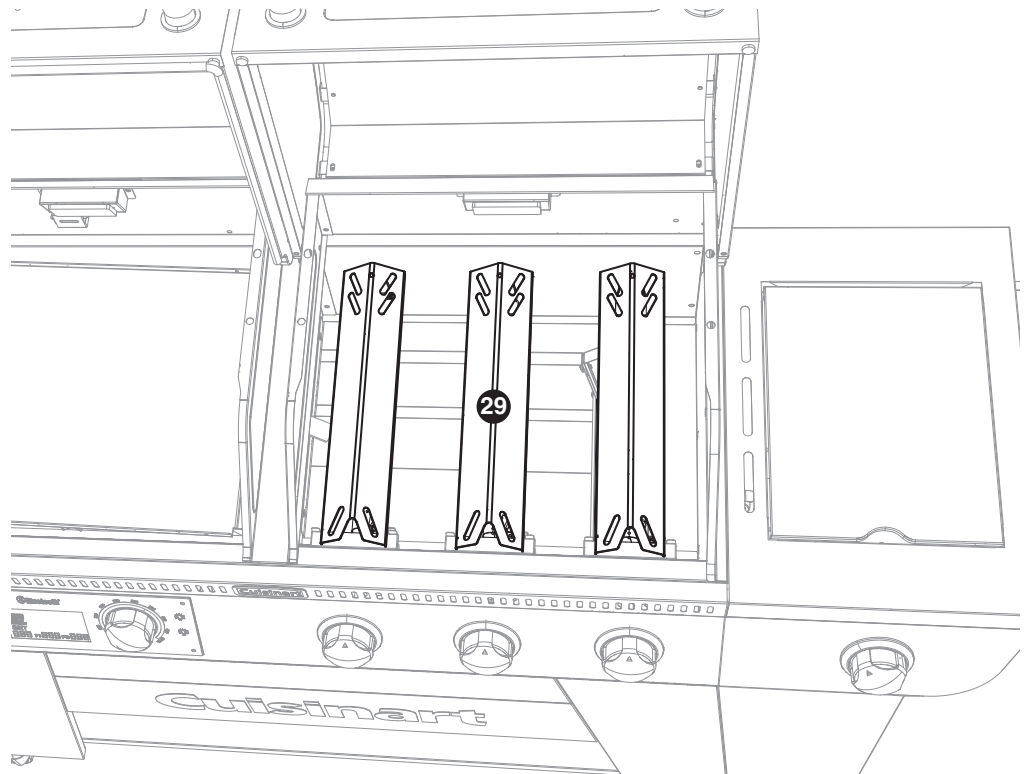
## Step 34

- Install **HEAT PLATE 28** on welded brackets



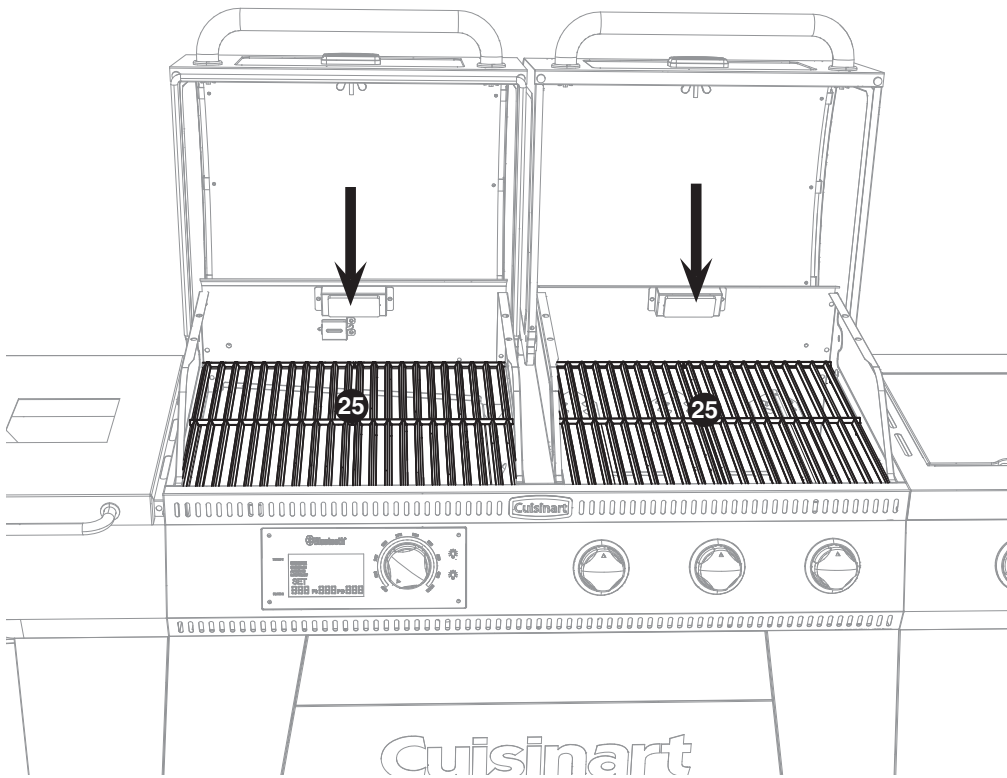
## Step 35

- Install **HEAT TENTS 29** above each burner



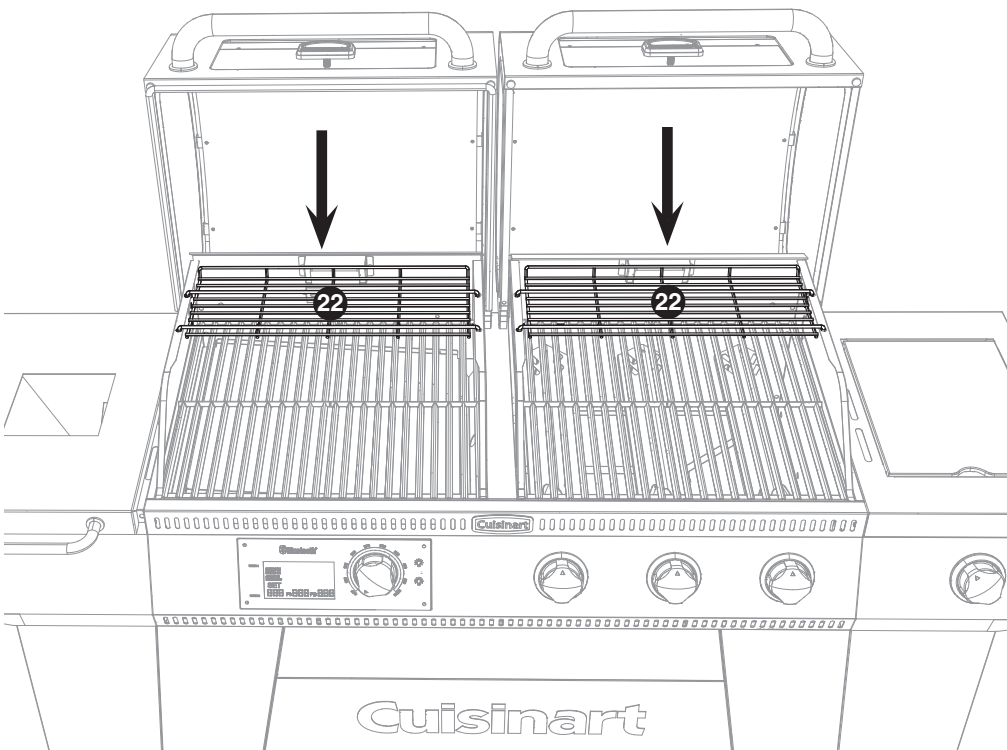
## Step 36

- Install **COOKING GRATES** 25



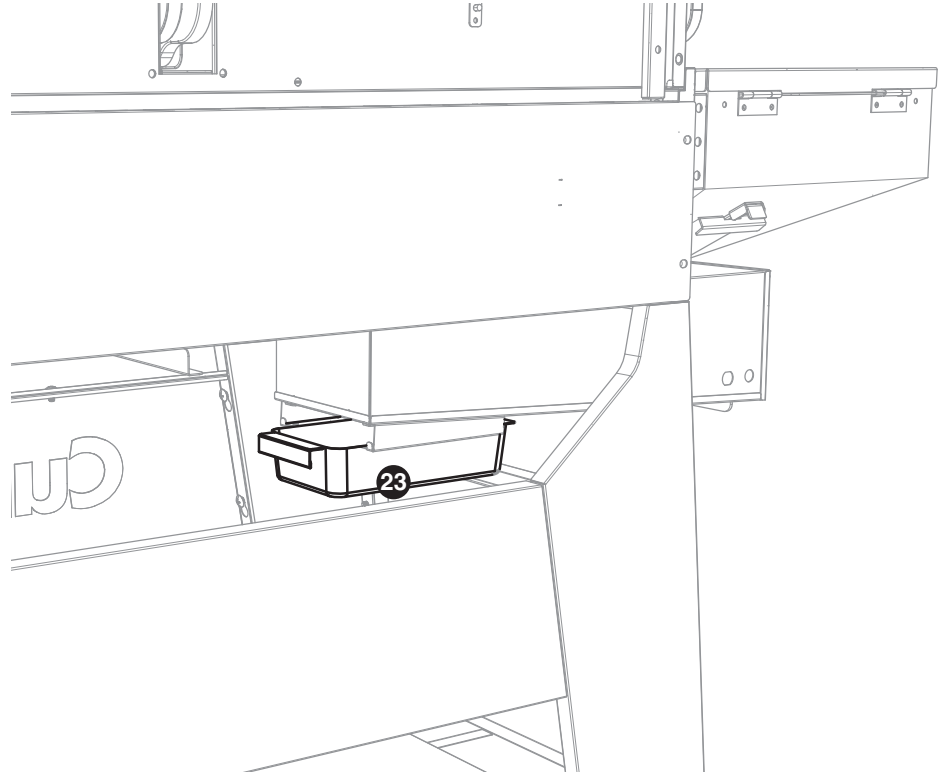
## Step 37

- Install **WARMING RACKS** 22



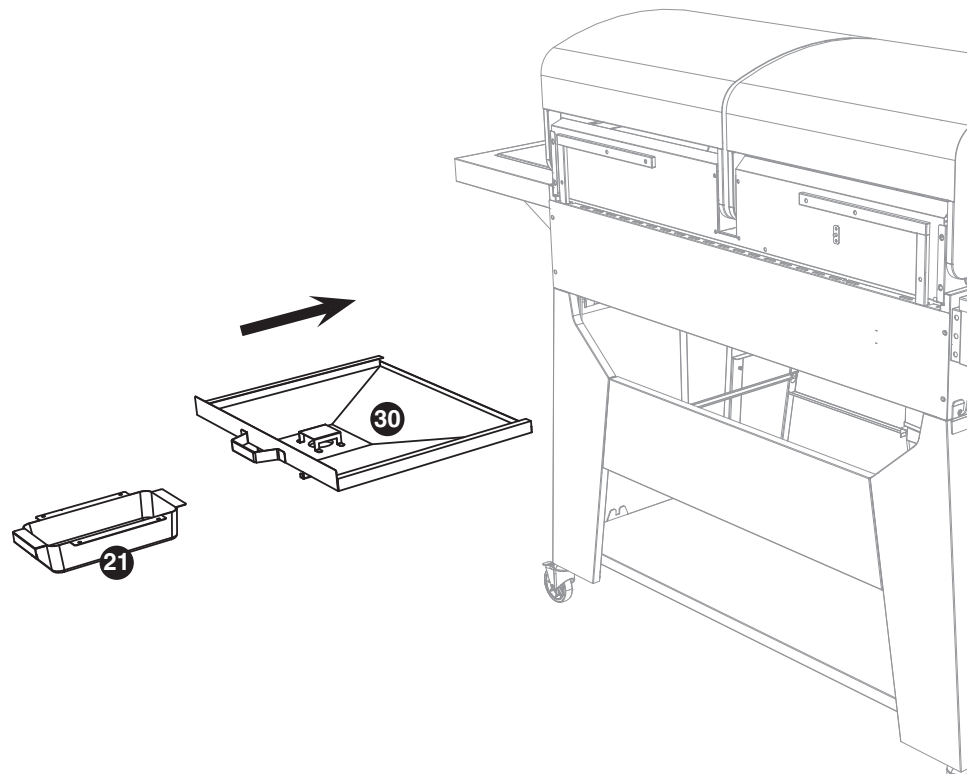
## Step 38

- Install **ASH CATCHER** 23



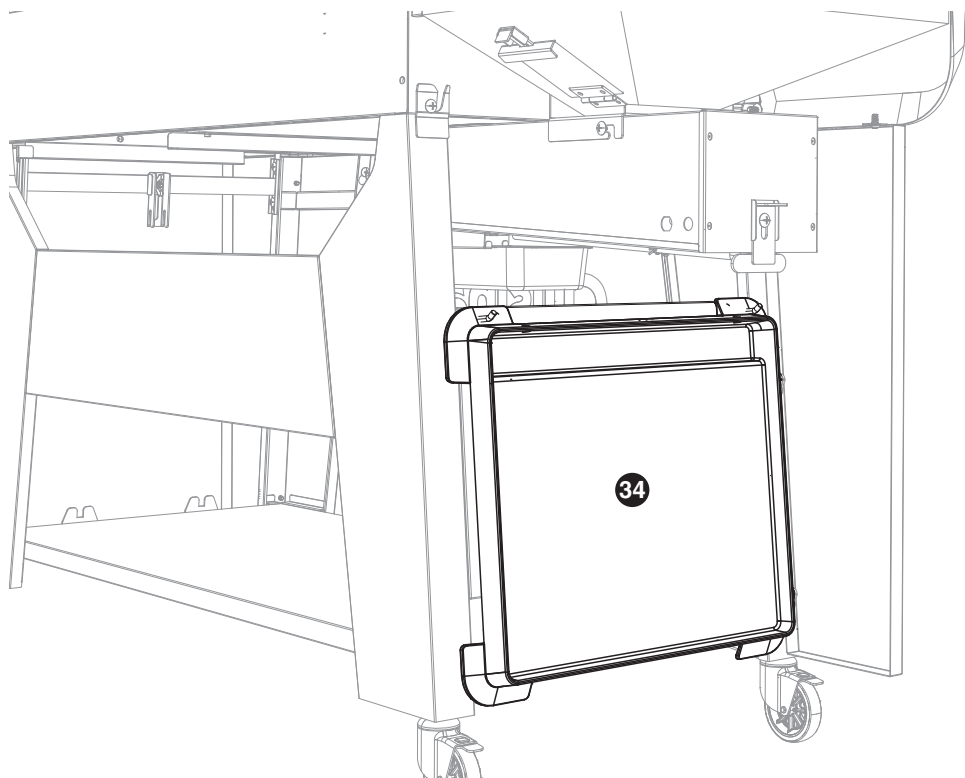
## Step 39

- Install **GREASE TRAY** 30  
and **GREASE CUP** 21  
through back of grill



## Step 40

- Store **GRIDDLE 34** on **ACCESSORY HOOKS 32**



# Model GAS0356AS / GAS0356AS0 Assembled

