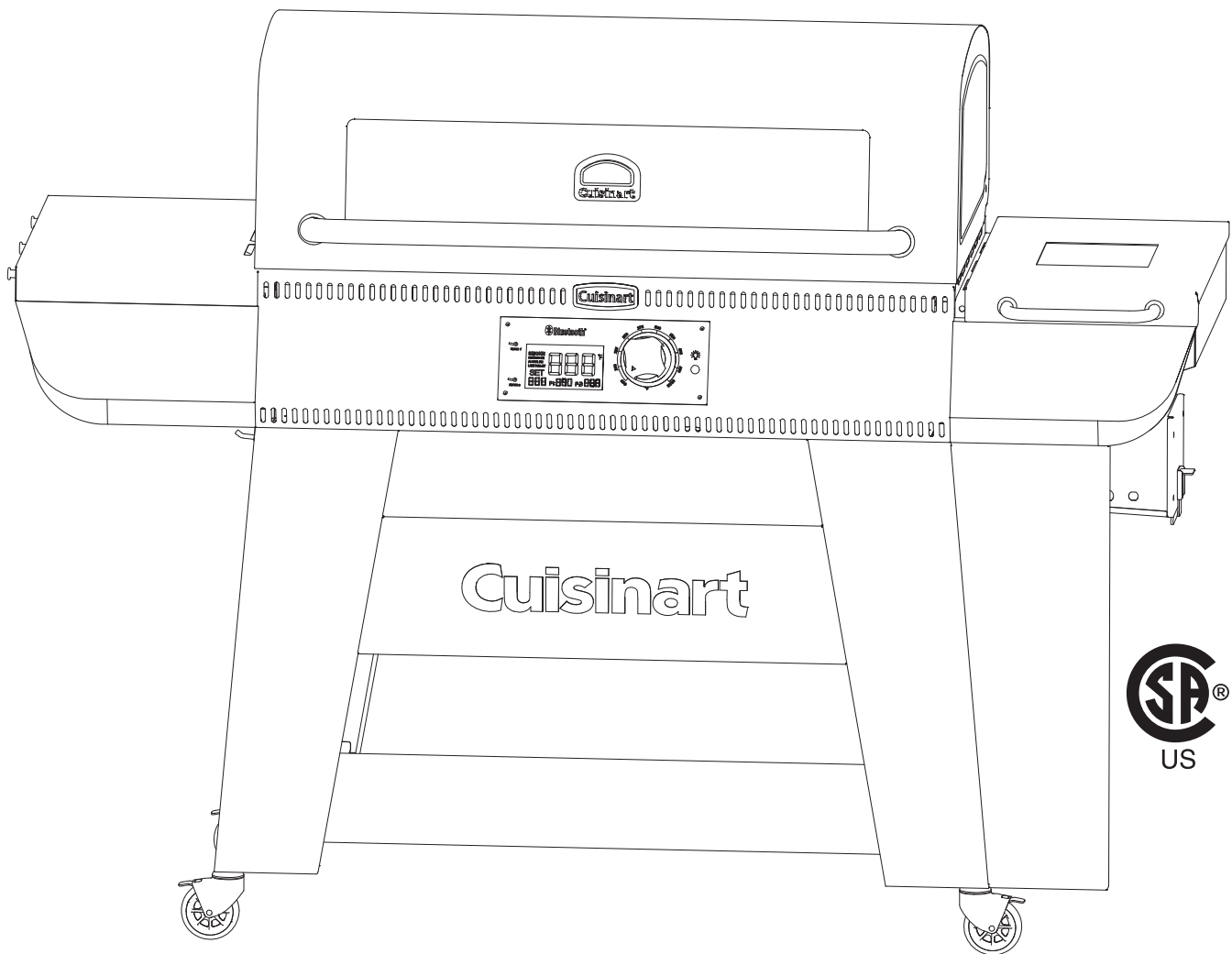


# Cuisinart®

## Woodcreek 4-in-1 Pellet Grill

# ASSEMBLY INSTRUCTIONS

### Model SMK0036AS / SMK0036ASO



# ASSEMBLY INSTRUCTIONS:

**⚠ READ ALL SAFETY WARNINGS & ASSEMBLY INSTRUCTIONS CAREFULLY BEFORE ASSEMBLING OR OPERATING YOUR GRILL.**

**WE RECOMMEND TWO PEOPLE WORK TOGETHER WHEN ASSEMBLING THIS UNIT.**

The following tools are required to assemble this Cuisinart Woodcreek 4-in-1 Pellet Grill:

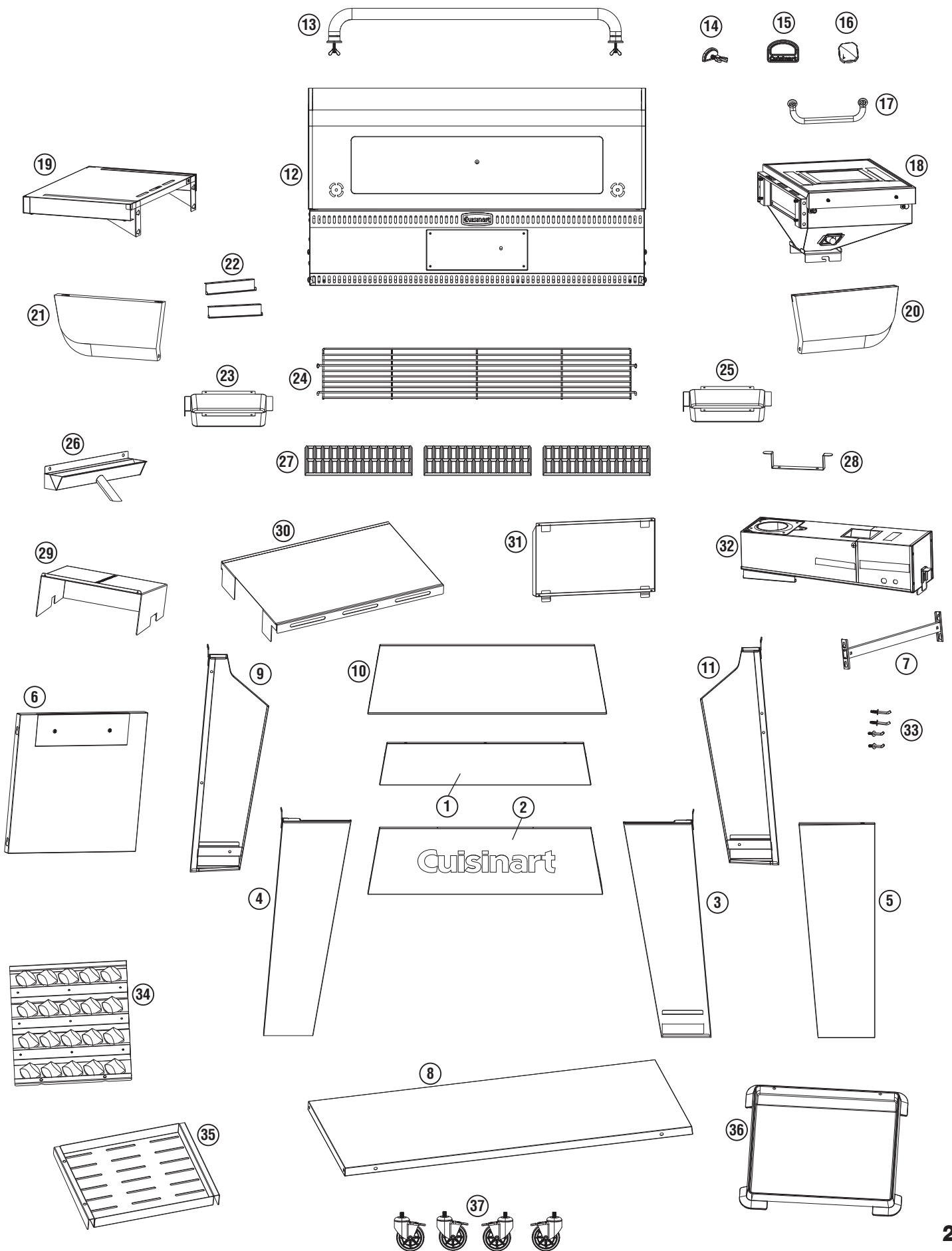
- Phillips Screwdriver
- Pliers or Wrench

## PARTS LIST:

①	1	Top Front Panel	⑱	1	Left Side Table
②	1	Bottom Front Panel	⑳	1	Right Side Control Panel
③	1	Right Front Leg	㉑	1	Left Side Control Panel
④	1	Left Front Leg	㉒	2	Grease Cup Brackets
⑤	1	Right Side Panel	㉓	1	Grease Cup
⑥	1	Left Side Panel	㉔	1	Warming Rack
⑦	1	Cart Brace	㉕	1	Ash Catcher
⑧	1	Cart Base	㉖	1	Grease Channel
⑨	1	Left Rear Leg	㉗	3	Cooking Grates
⑩	1	Back Panel	㉘	1	Cord Wrap
⑪	1	Right Rear Leg	㉙	1	Heat Baffle
⑫	1	Grill Body	㉚	1	Left Side Heat Plate
⑬	1	Hood Handle	㉛	1	Right Side Heat Plate
⑭	1	Temperature Gauge	㉜	1	Auger Housing
⑮	1	Temperature Gauge Bezel	㉝	4	Accessory Hooks
⑯	1	Control Knob	㉞	1	Ceramic Insert
⑰	1	Pellet Hopper Lid Handle	㉟	1	Charcoal Tray
⑱	1	Pellet Hopper	㊱	1	Cast Iron Griddle
			㊲	4	Casters

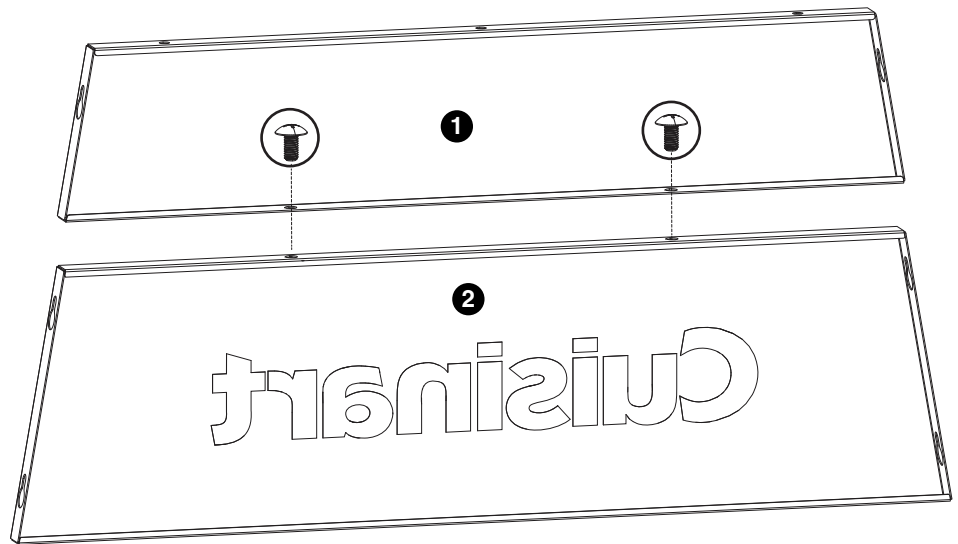
**Note:** Most hardware is pre-attached to the grill. You may need to loosen some screws partially while others may need to be removed in order to assemble parts. The screws that you remove will be re-used so don't misplace this hardware.

Extra screws are included in a small bag with the owners manual.



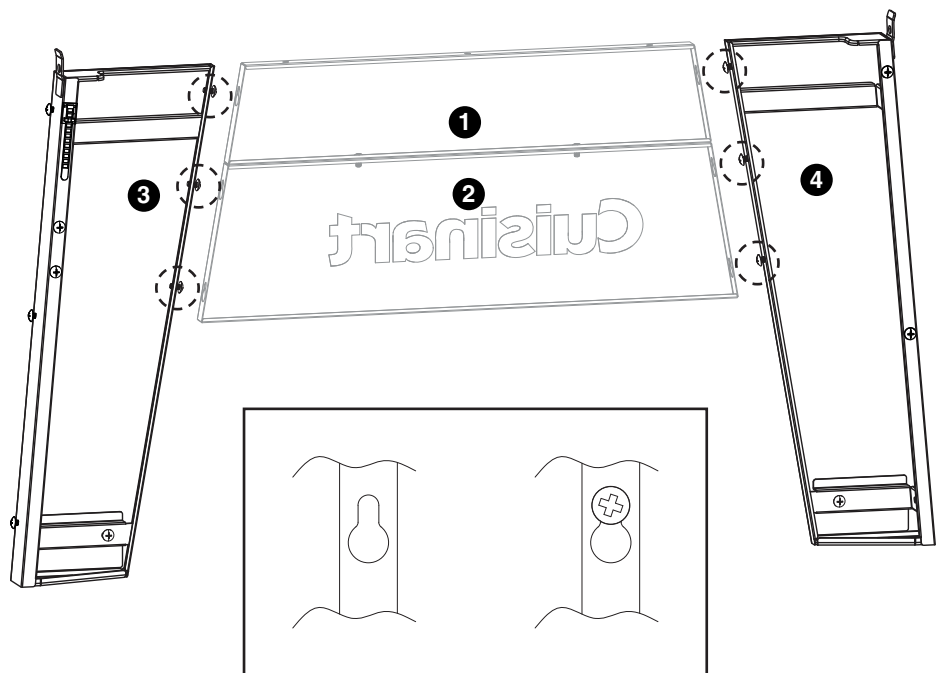
## Step 1

- Remove 2 screws
- Attach **FRONT PANELS** **1** and **2**
- Tighten 2 screws



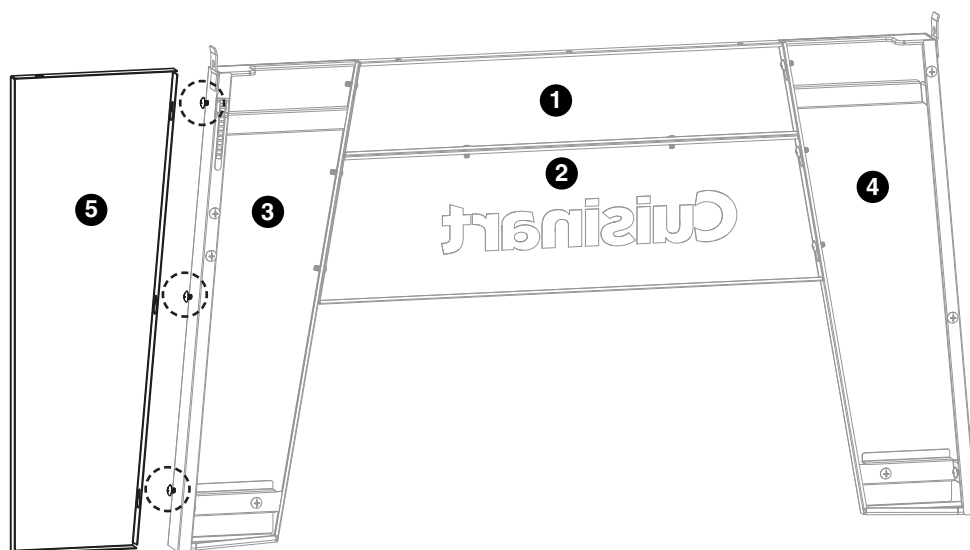
## Step 2

- Loosen 6 screws 3-4 turns on **FRONT LEGS** **3** and **4**
- Do not remove screws
- Attach **FRONT PANELS** **1** and **2** using keyholes
- Tighten 6 screws



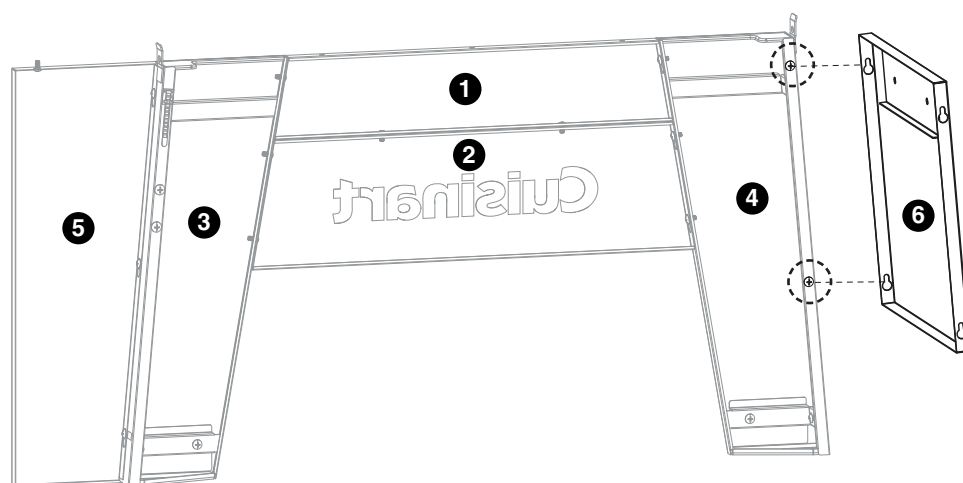
**NOTE:** Before tightening keyhole screws, make sure panels are aligned.

### Step 3



- Loosen 3 screws
- Attach **RIGHT SIDE PANEL 5**
- Tighten 3 screws on **RIGHT SIDE PANEL 5**

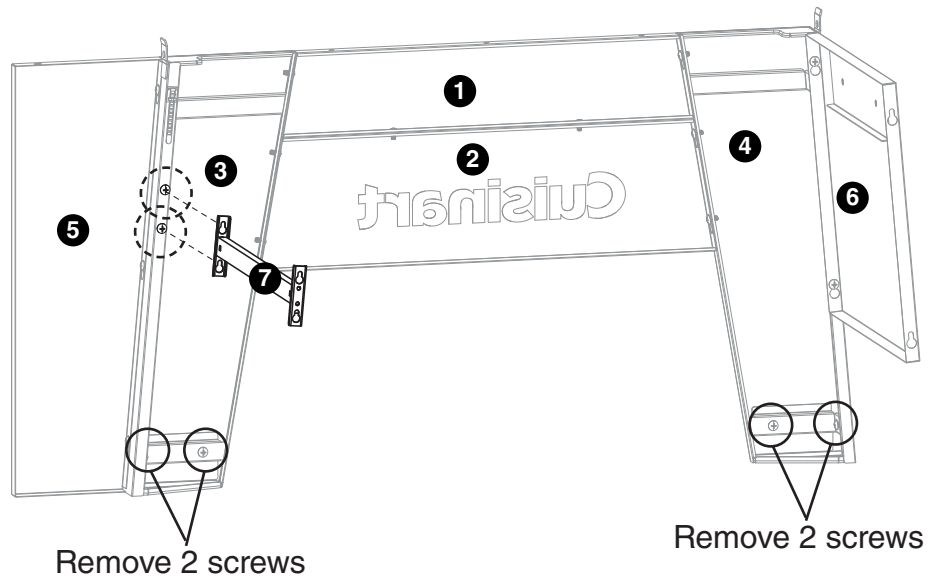
### Step 4



- Loosen 2 screws
- Attach **LEFT SIDE PANEL 6**
- Tighten 2 screws on **LEFT SIDE PANEL 6**

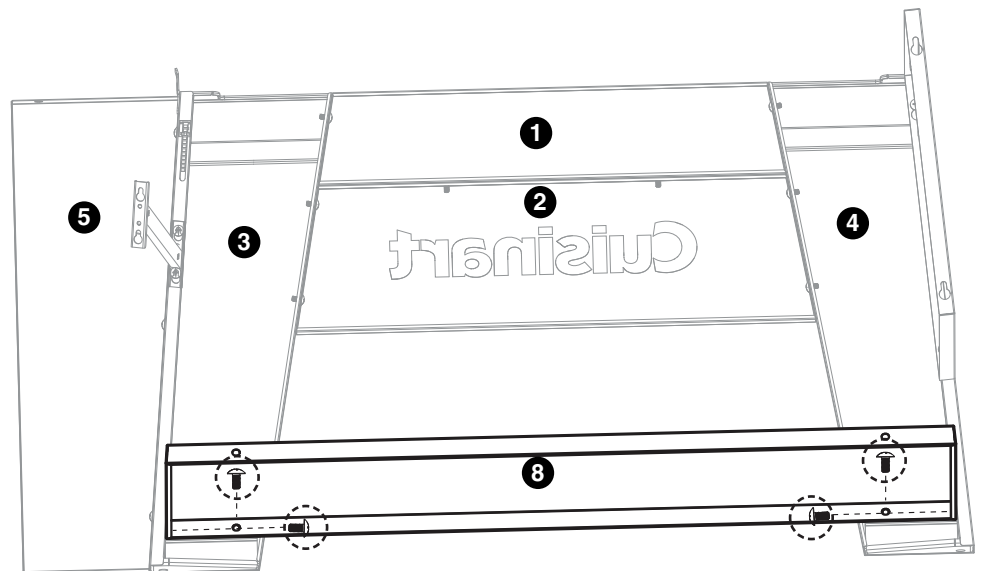
## Step 5

- Loosen 2 screws
- Attach **CART BRACE 7**
- Tighten 2 screws on **CART BRACE 7**
- Remove 4 screws

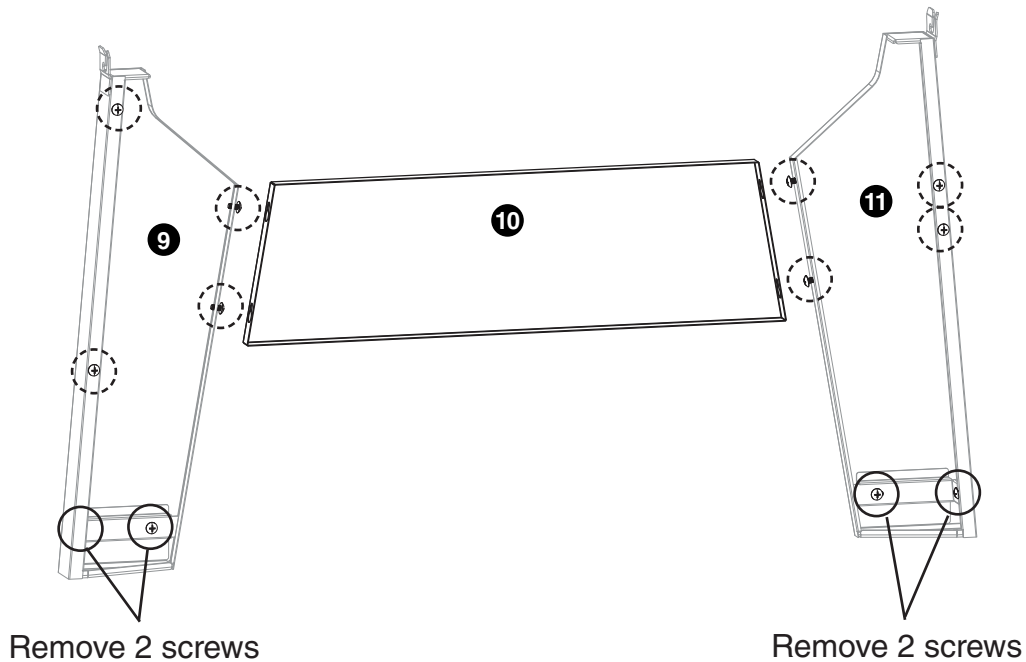


## Step 6

- Attach **CART BASE 8**
- Tighten 4 screws  
(Removed from Step 5)

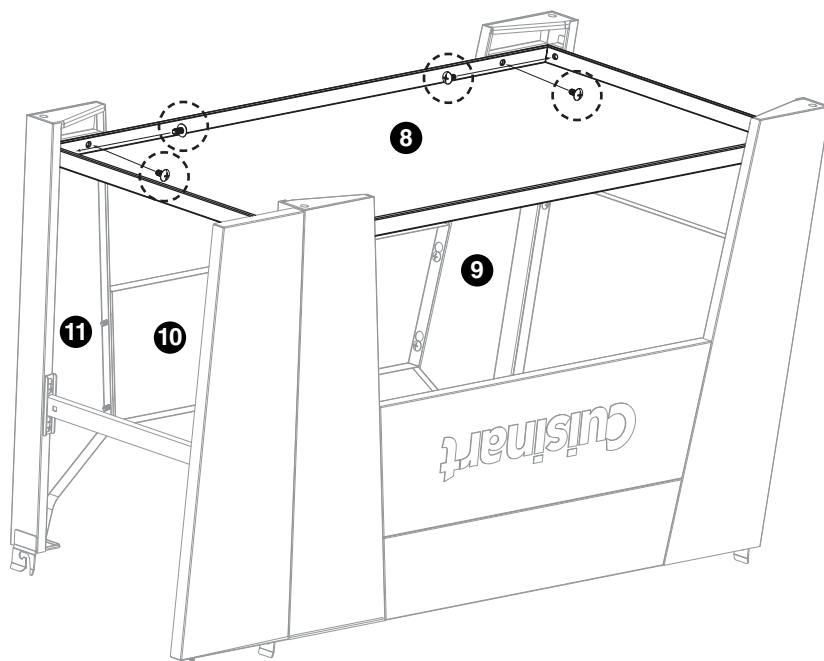


## Step 7



- Loosen 8 screws on **REAR LEGS 9** and **11**
- Attach **BACK PANEL 10** to **REAR LEGS 9** and **11**
- Tighten 4 screws
- Remove 4 screws

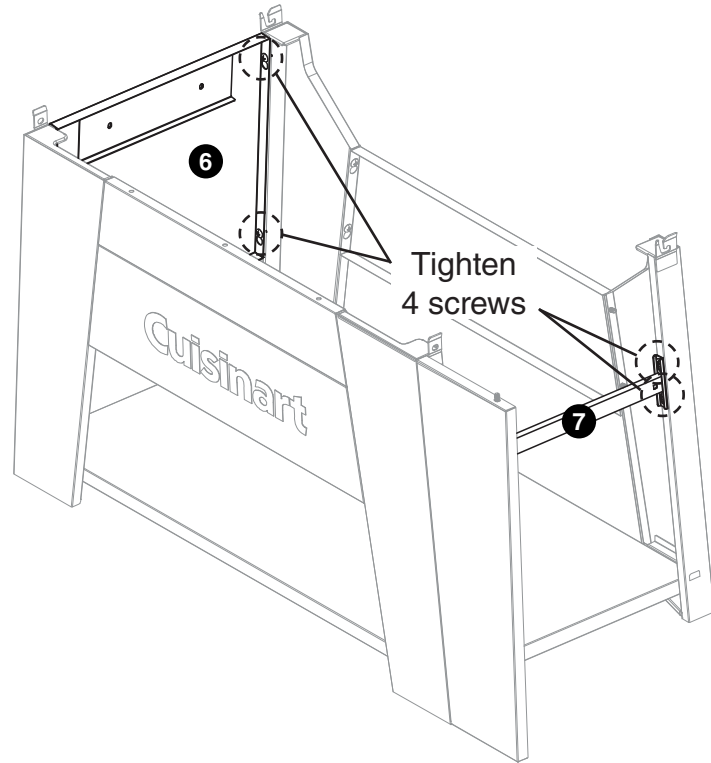
## Step 8



- Attach **CART BASE 8** to rear legs
- Tighten 4 screws (Removed from Step 7)

## Step 9

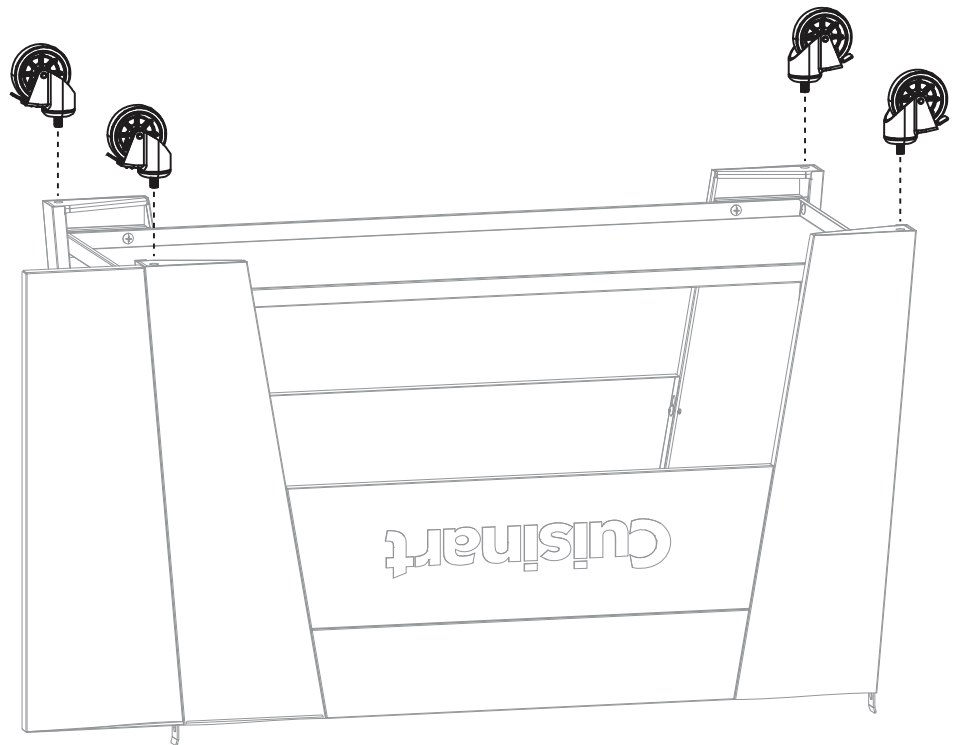
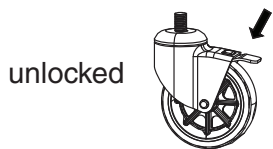
- Attach **LEFT SIDE PANEL 6** and **CART BRACE 7**
- Tighten 4 screws



## Step 10

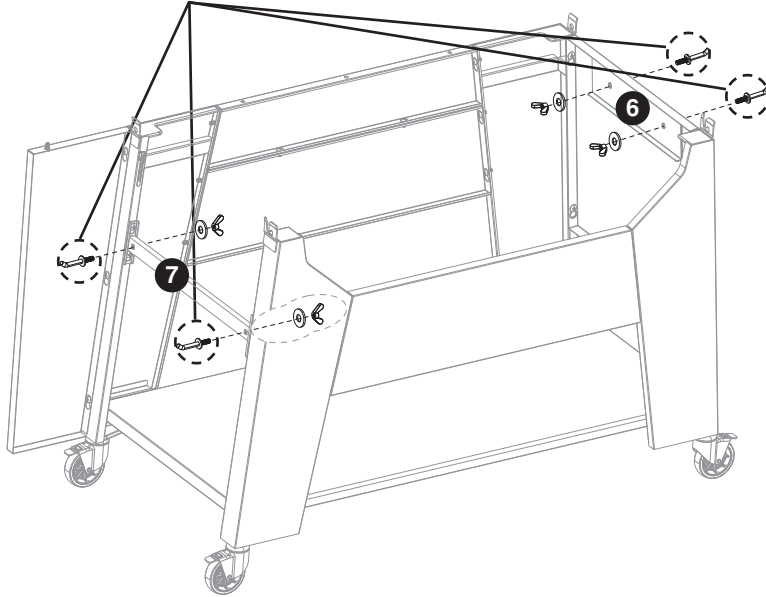
- Lock **CASTERS 37**
- Attach **CASTERS 37** to legs

### 37 CASTERS





### 33 ACCESSORY HOOKS

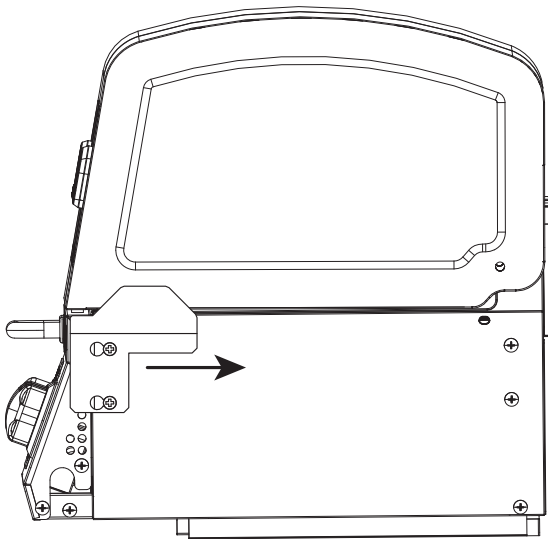


## Step 11

- Attach **ACCESSORY HOOKS 33** to **LEFT SIDE PANEL 6** and **CART BRACE 7** with washers and wing nuts

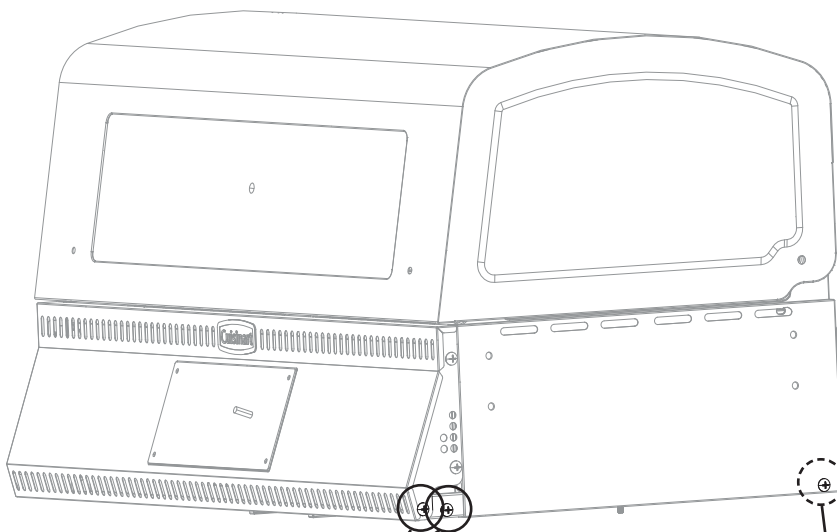
## Step 12

- Remove two protective plates from right and left side of grill body assembly



## Step 13

- Loosen 1 screw
- Remove 2 screws

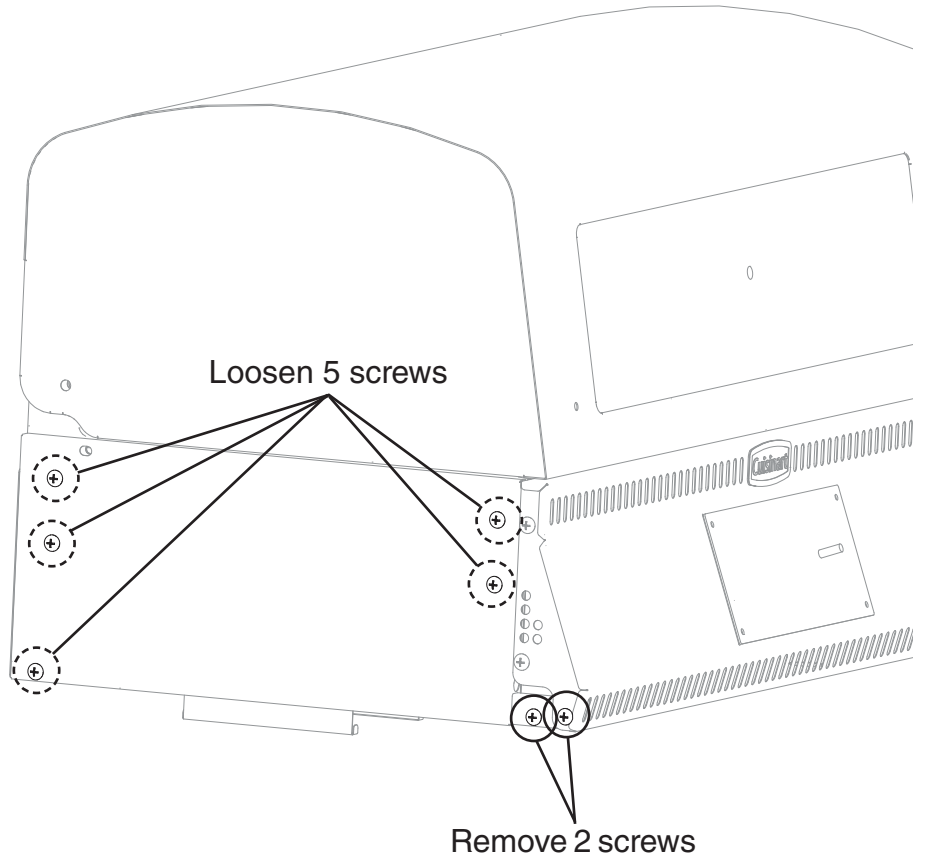


Remove 2 screws

Loosen 1 screw

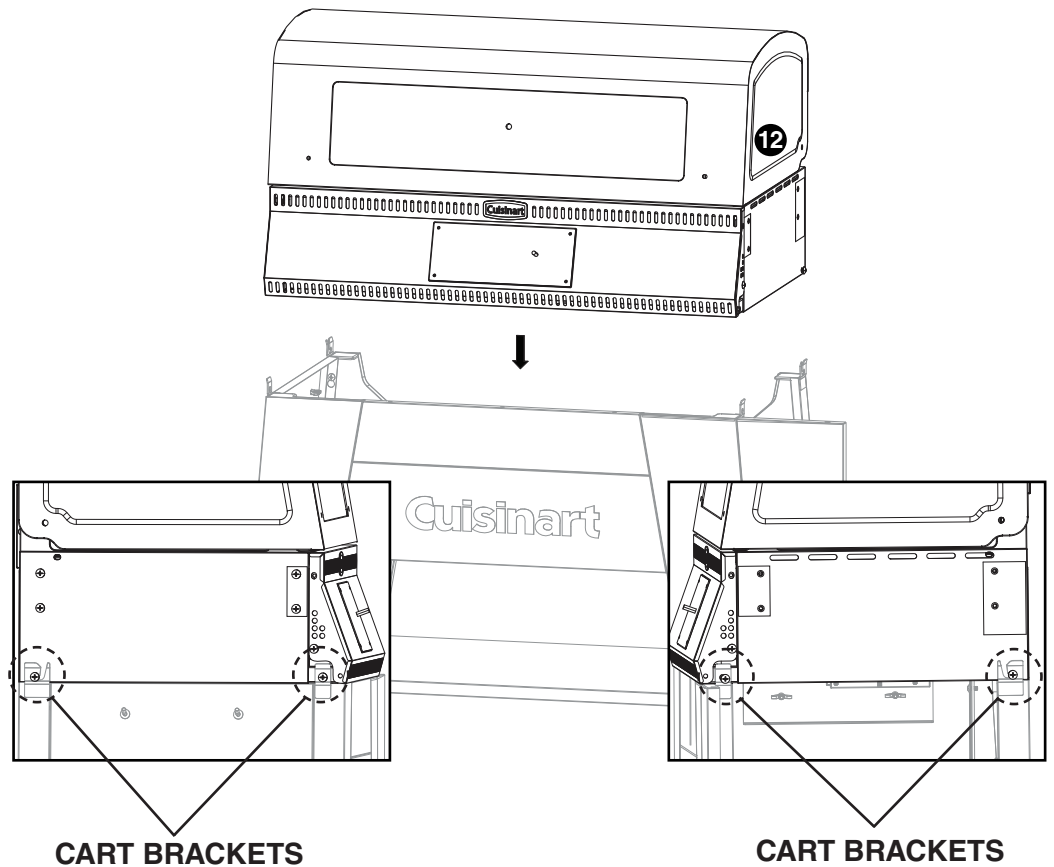
## Step 14

- Loosen 5 screws
- Remove 2 screws



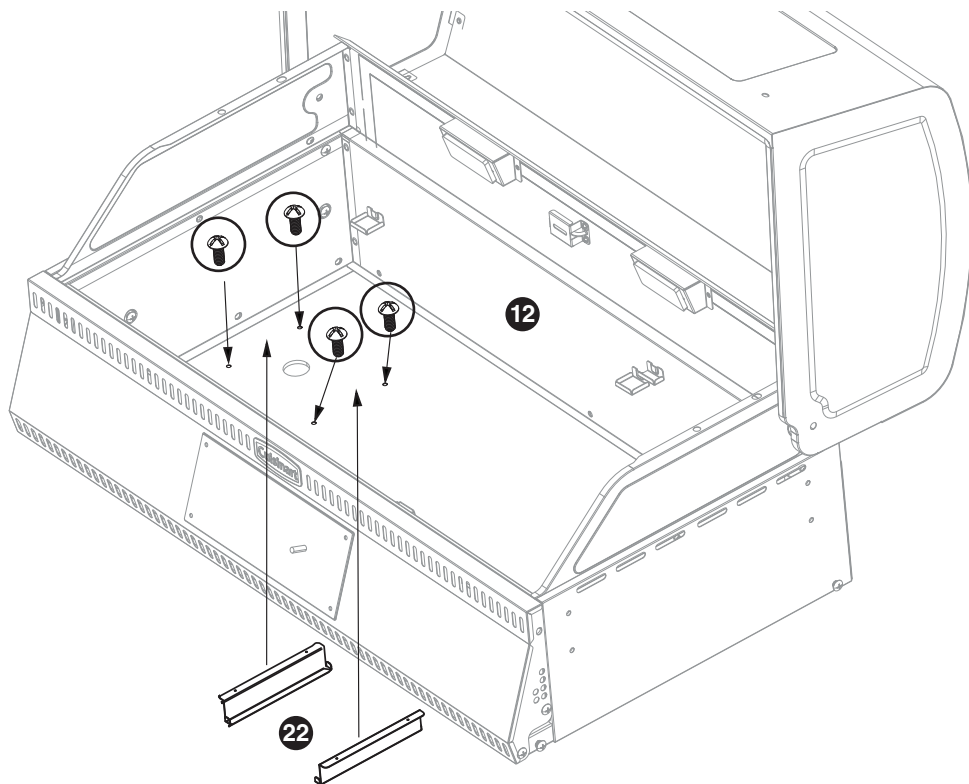
## Step 15

- Set **GRILL BODY 12** on cart
- Make sure screw drops into rear cart brackets
- Push **GRILL BODY 12** to back of cart
- Install 2 screws in **FRONT BRACKETS** (Removed from Step 13 and Step 14)
- Tighten 4 screws on cart brackets (2 screws left over will be used in future steps)



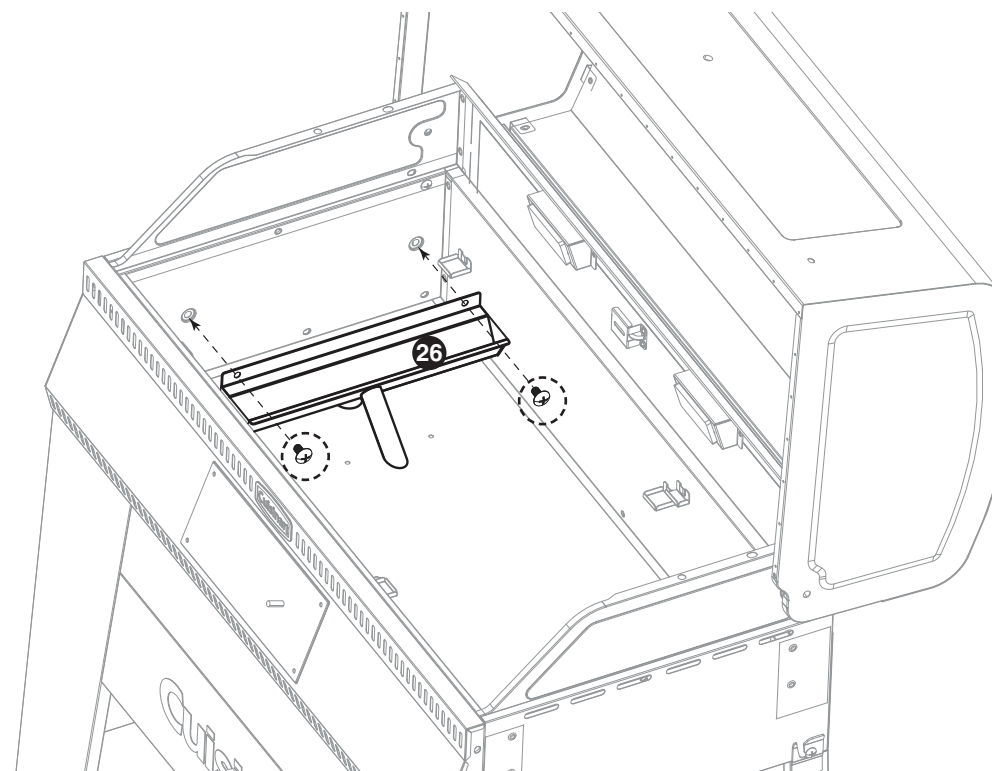
## Step 16

- Remove 4 screws from **GREASE CUP BRACKETS 22**
- Install **GREASE CUP BRACKETS 22** to the bottom of the **GRILL BODY 12** using 4 screws



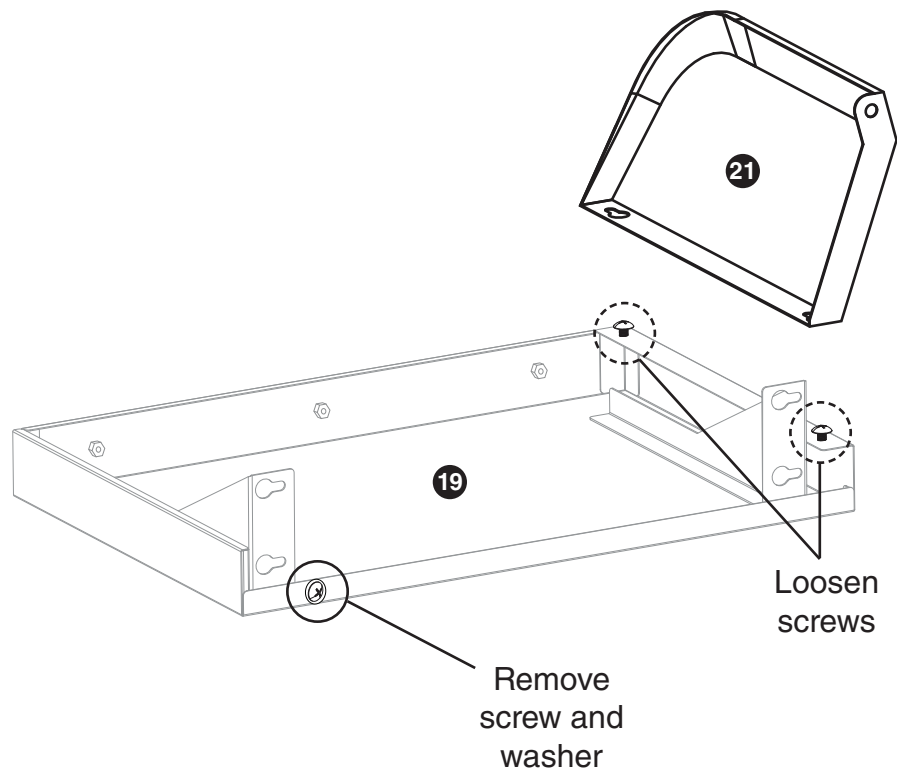
## Step 17

- Remove 2 screws
- Attach **GREASE CHANNEL 26**
- Tighten 2 screws



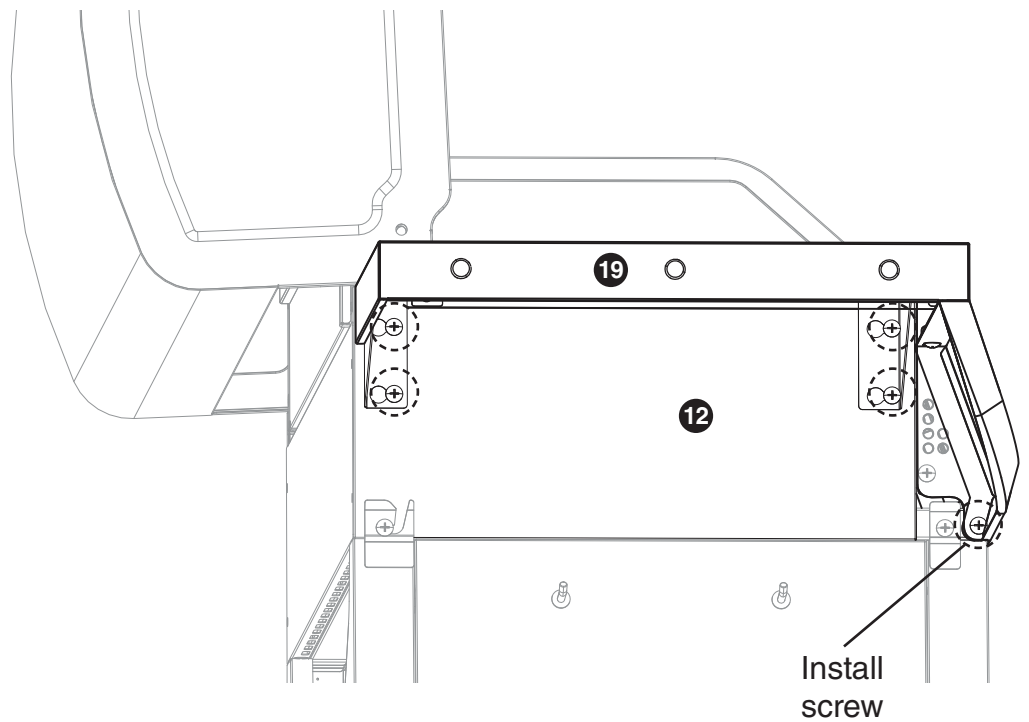
## Step 18

- Loosen 2 screws
- Attach **LEFT SIDE CONTROL PANEL 21** to **LEFT SIDE TABLE 19** over keyholes
- Tighten 2 screws
- Remove 1 screw and washer

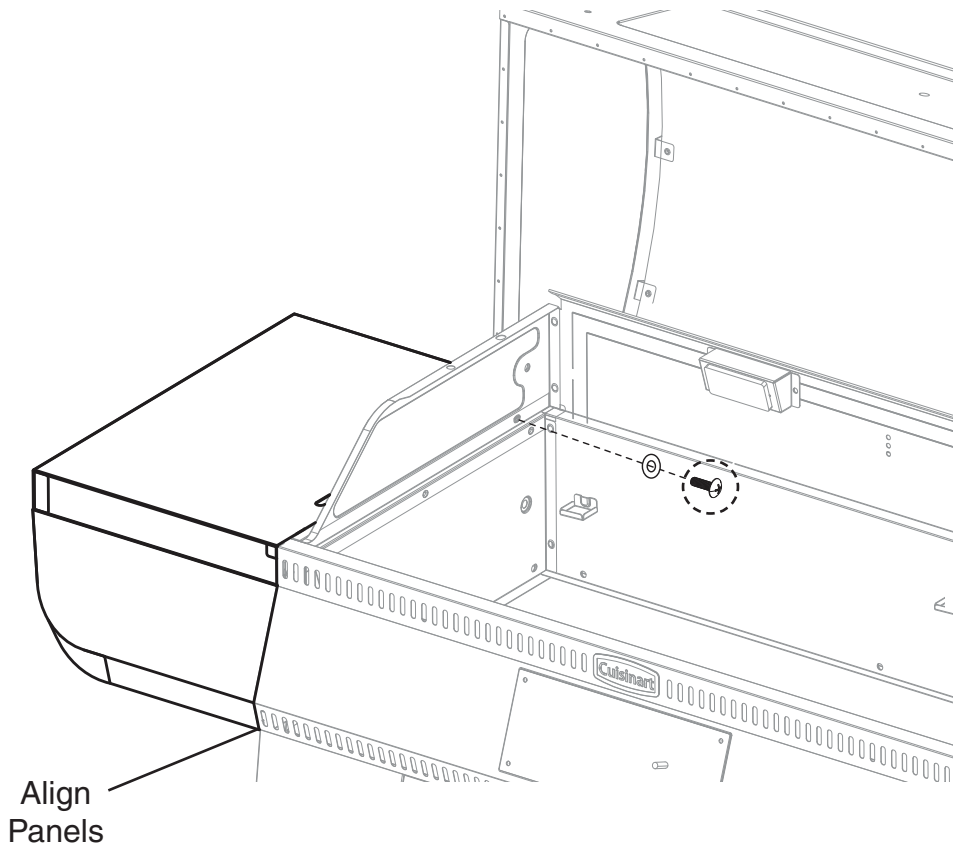


## Step 19

- Attach **LEFT SIDE TABLE 19** to **GRILL BODY 12** using keyholes
- Do not tighten screws at this time
- Install and tighten screw (Removed from Step 14)

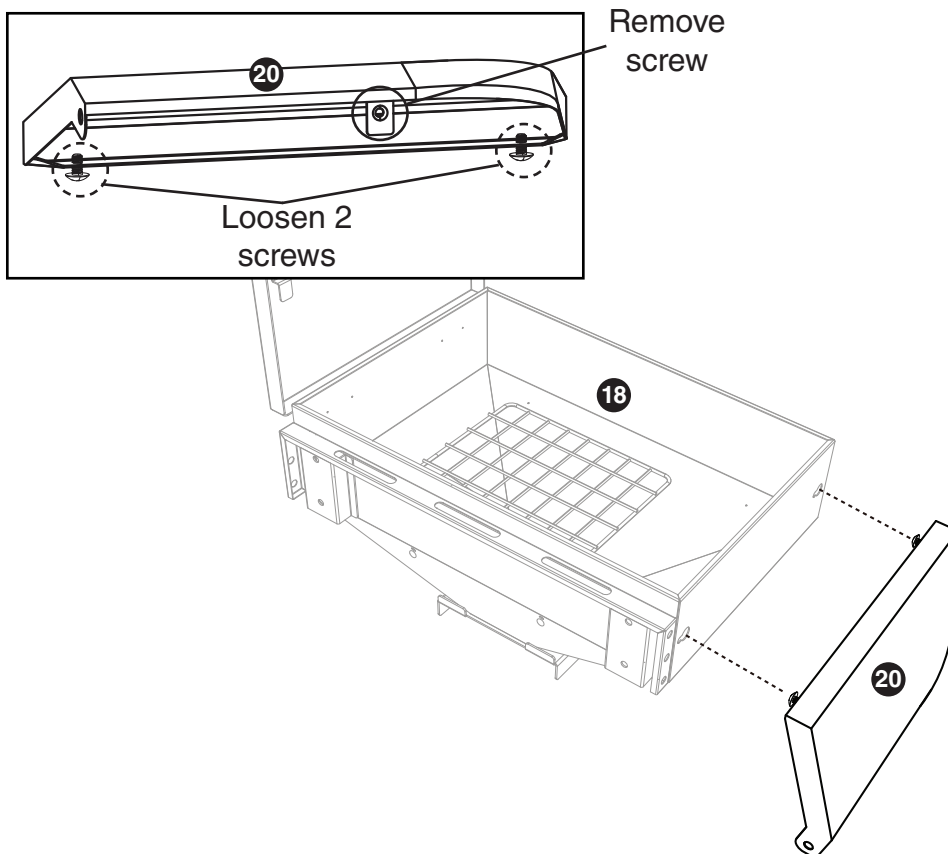


## Step 20



- Install screw and washer (Removed from Step 18)
- Make sure control panels are aligned
- Tighten 5 screws from Step 19 and Step 20

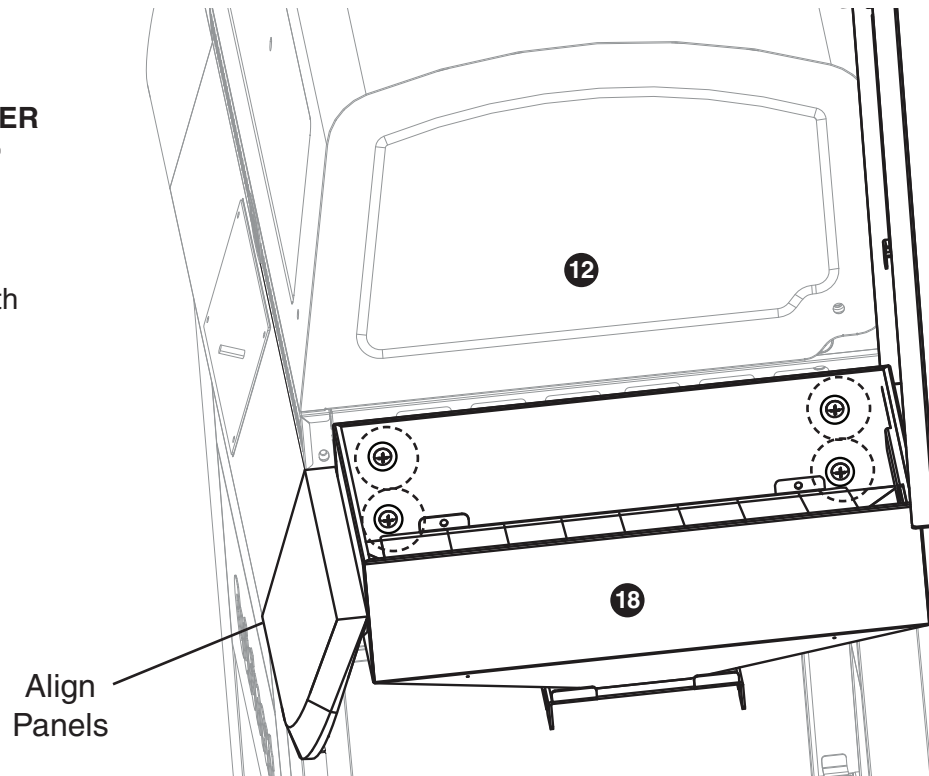
## Step 21



- Remove 1 screw
- Loosen 2 screws
- Attach **RIGHT SIDE CONTROL PANEL 20** to **PELLET HOPPER 18** over keyholes
- Tighten 2 screws

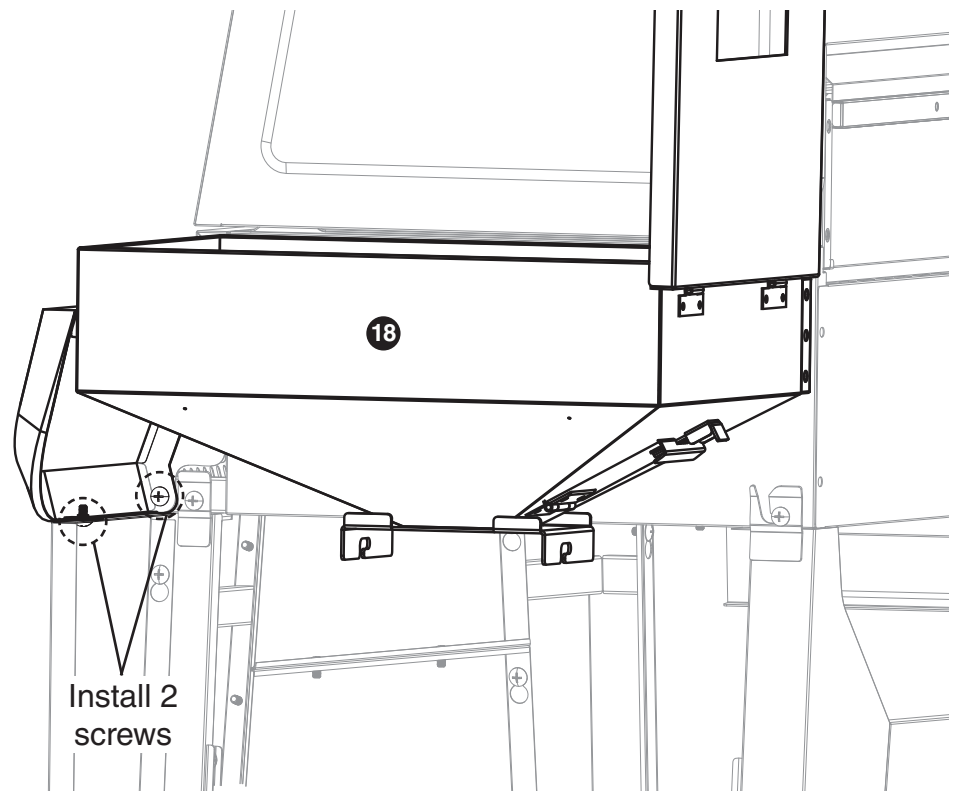
## Step 22

- Attach **PELLET HOPPER 18** to **GRILL BODY 12**
- Tighten 4 screws (Find M6x35 screws and washers in bag with owner's manual)

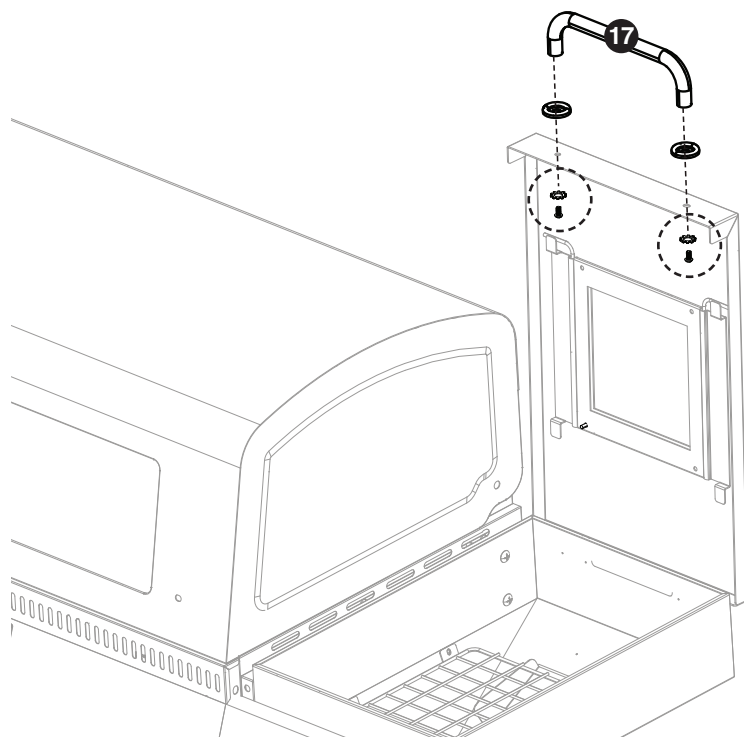


## Step 23

- Install 2 screws (1 screw removed in Step 13 and 1 screw removed in Step 21)

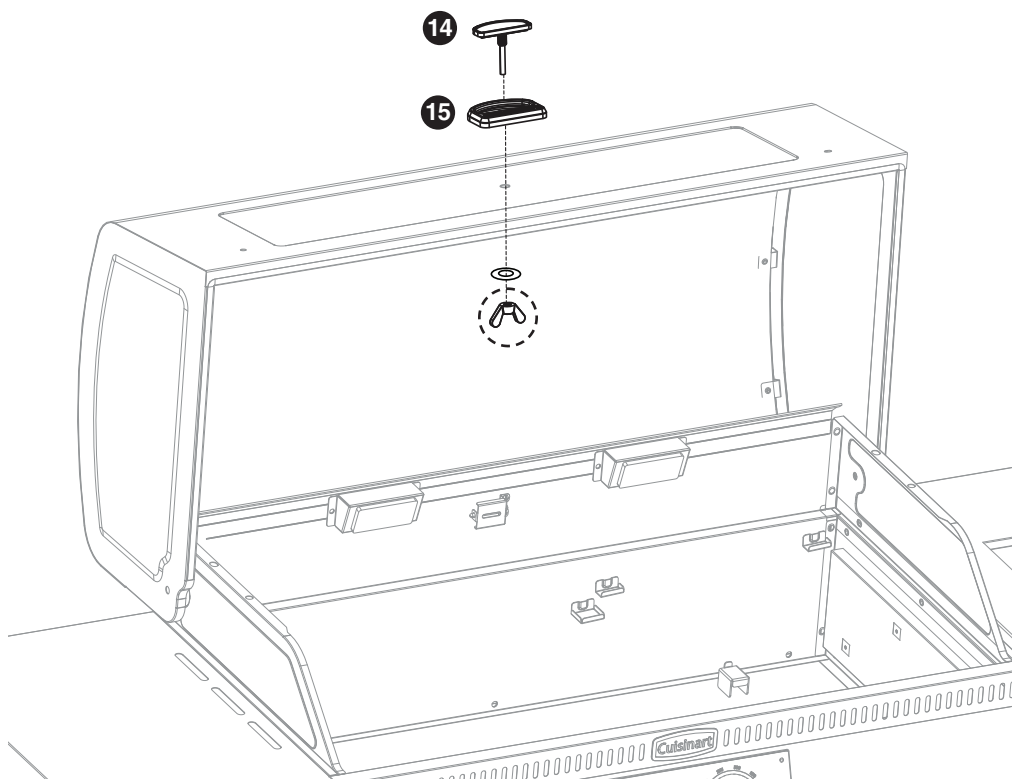


## Step 24



- Install **PELLET HOPPER LID HANDLE 17** (screws, washers and bezels are pre-installed in handle)

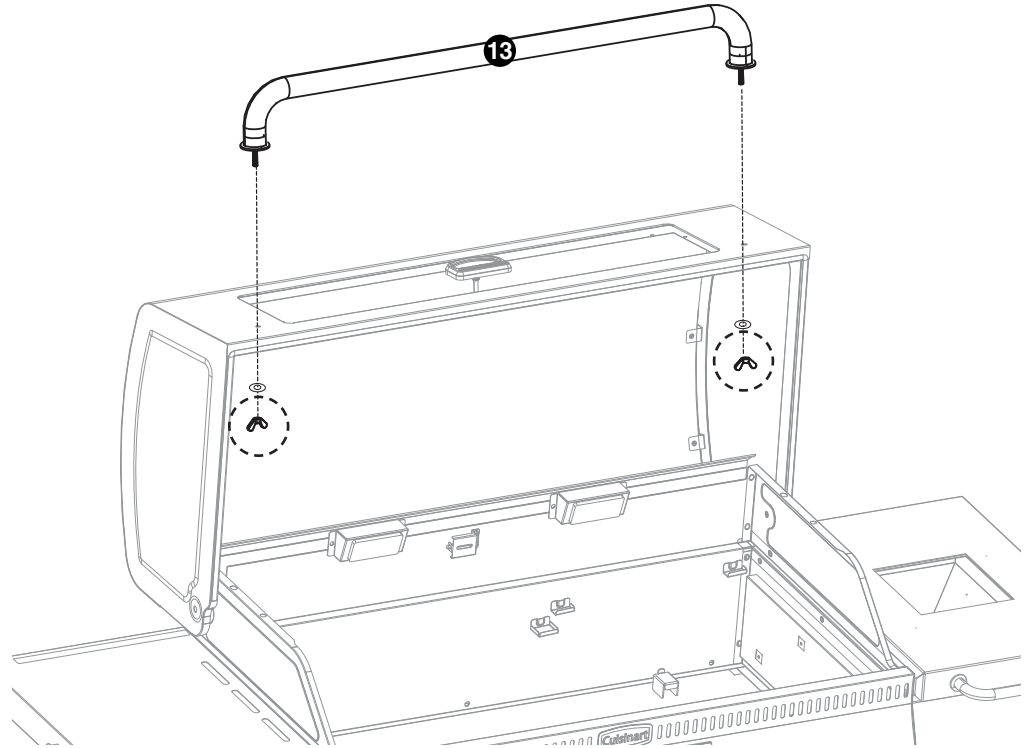
## Step 25



- Install **TEMPERATURE GAUGE 14** and **BEZEL 15** using washer and wing nut

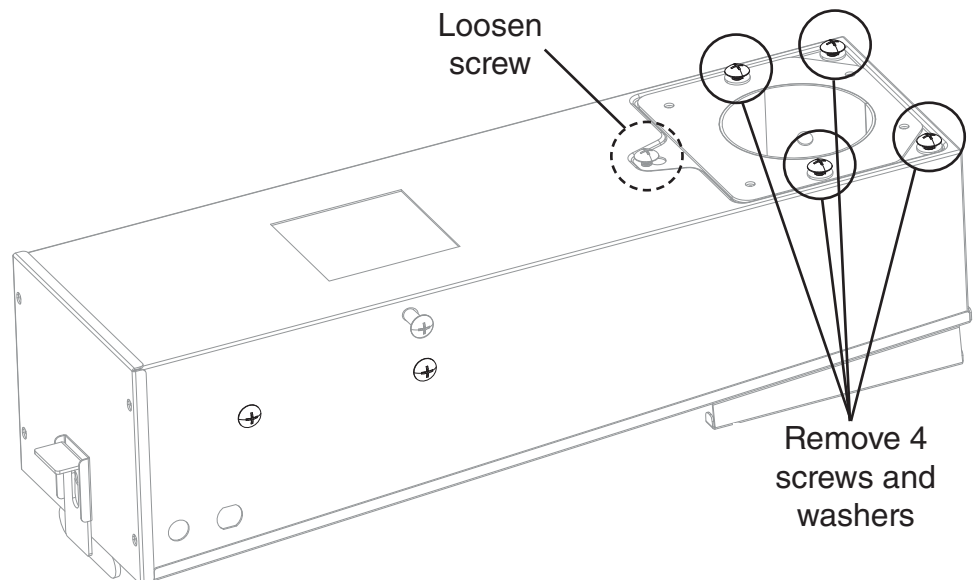
## Step 26

- Install **HOOD HANDLE** **13** (Wing nuts, bezels and washers are pre-installed on handle)



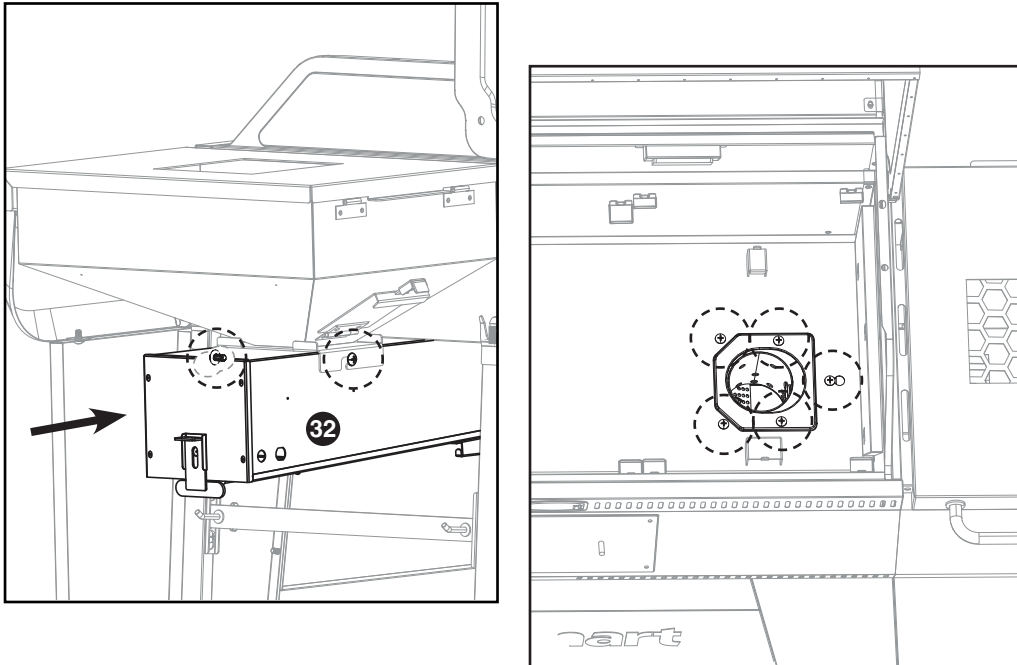
## Step 27

- Remove 4 screws and washers
- Loosen 1 screw



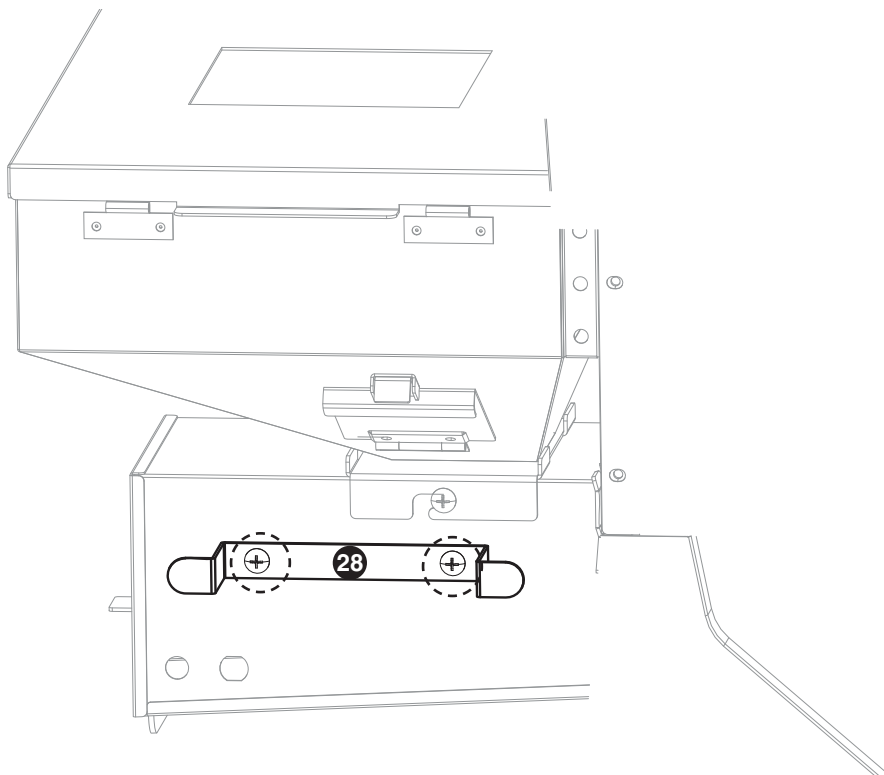


## Step 28



- Install **AUGER HOUSING 32** using keyhole in firebox and slots in pellet hopper bracket
- Tighten 5 screws and washers in firebox

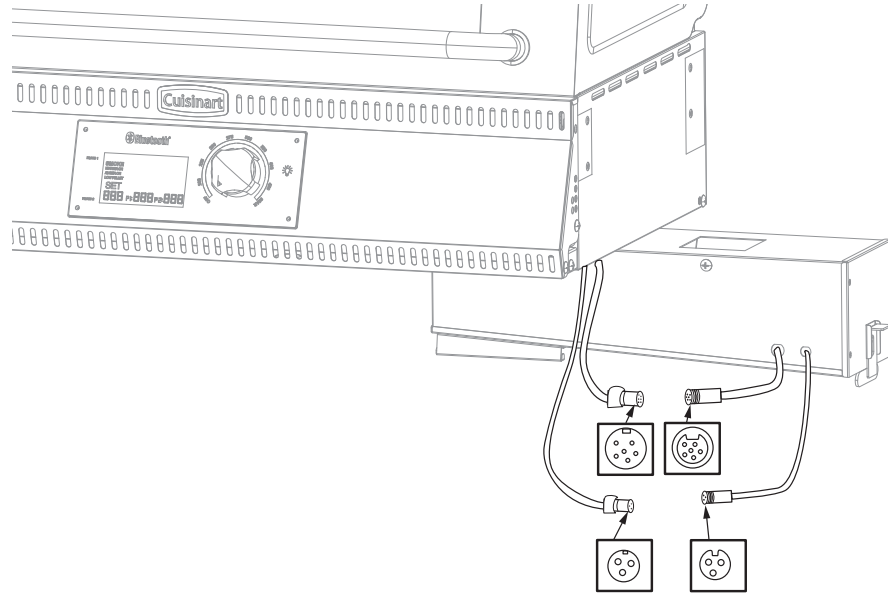
## Step 29



- Remove 2 screws
- Attach **CORD WRAP 28** using 2 screws

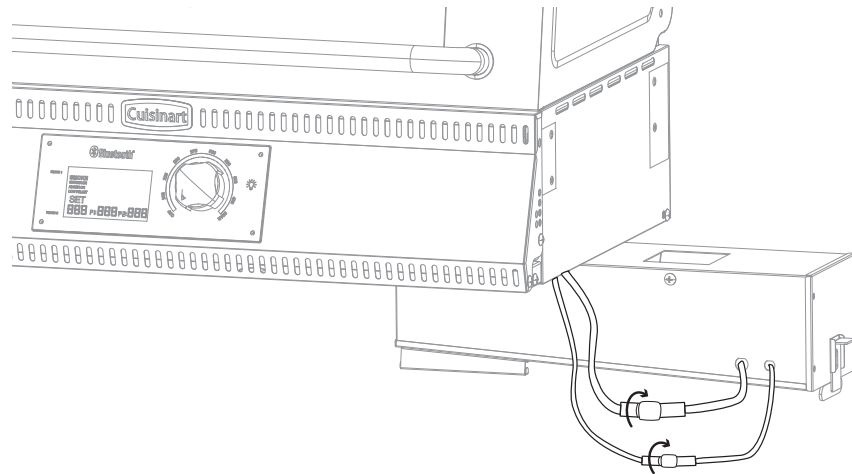
## Step 30a

- Connect wiring for Controller and Pellet Sensor
- These wires can only be connected one way
- Make sure the connectors are lined up properly before tightening



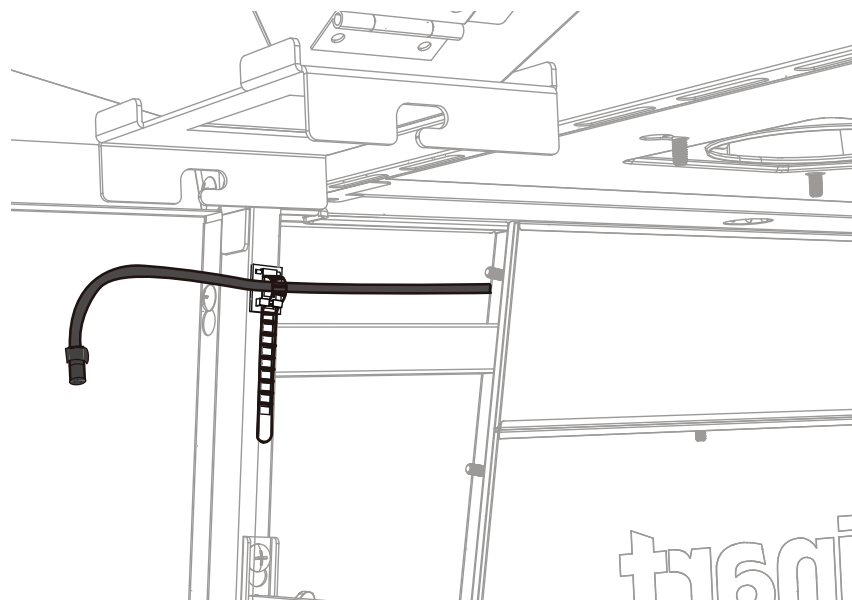
## Step 30b

- Once connected, twist to tighten

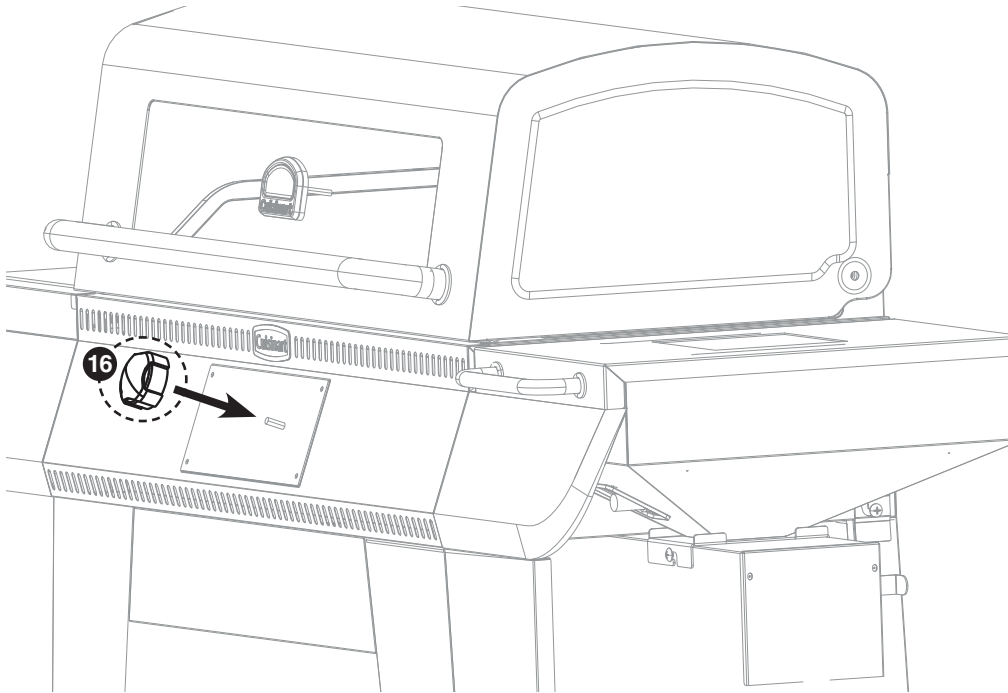


## Step 30c

- Secure wiring with cord clip.

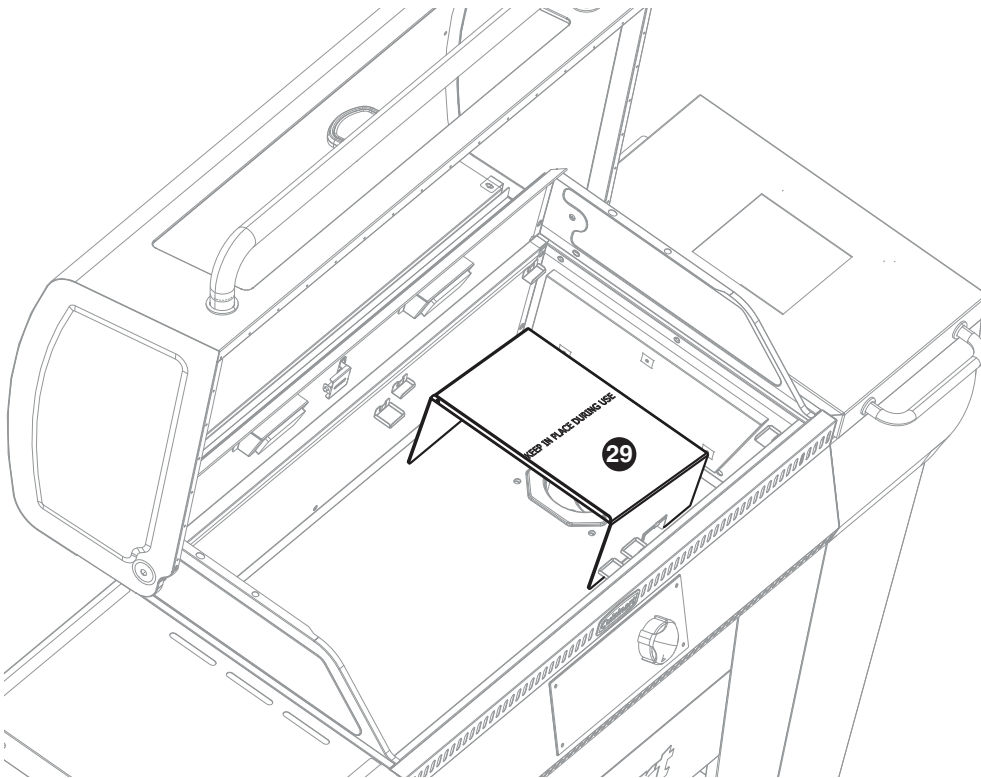


## Step 31



- Attach **CONTROL KNOB 16** to controller

## Step 32

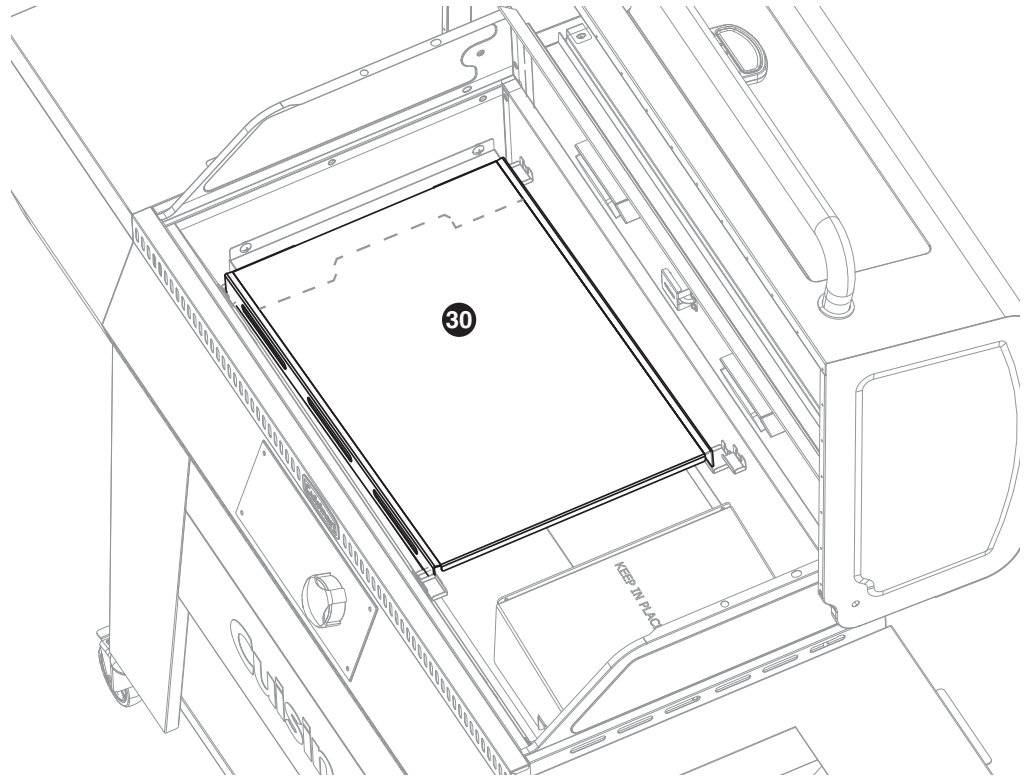


- Attach **HEAT BAFFLE 29**

## Step 33

- Install **LEFT HEAT PLATE 30** on welded brackets

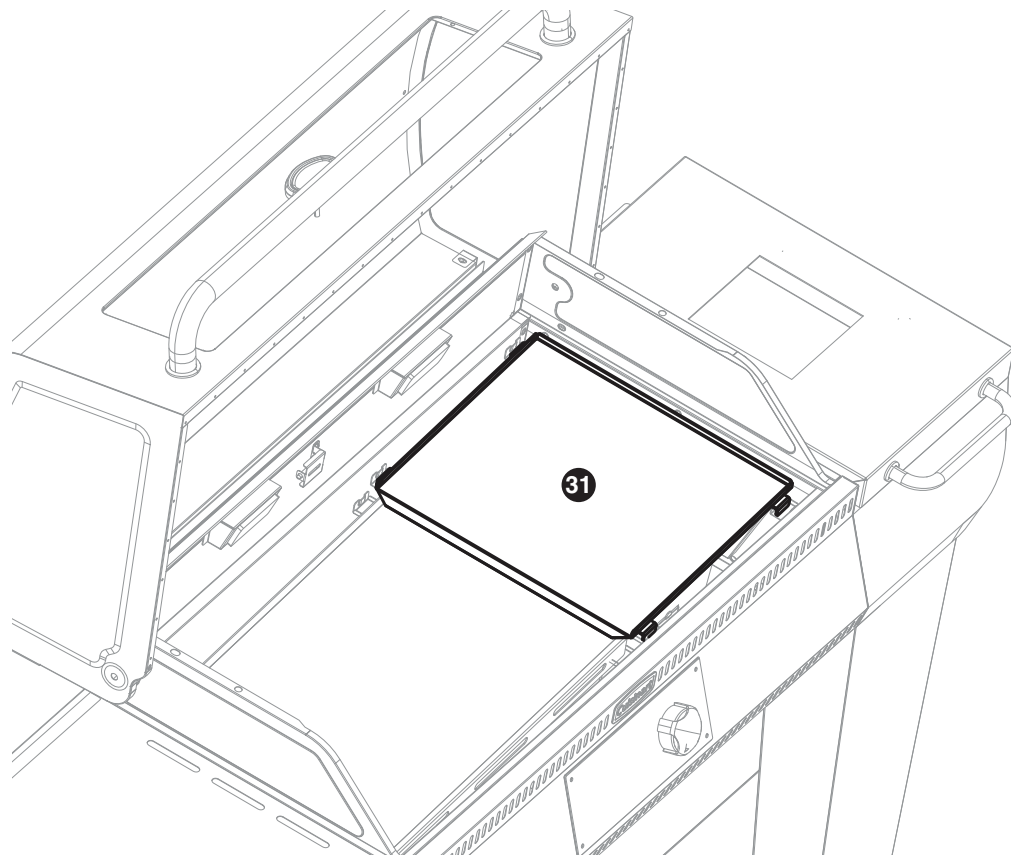
Note: The 2 longer feet go on the left side of the firebox



## Step 34

- Install **RIGHT HEAT PLATE 31** on welded brackets

Note: The angled lip should face left

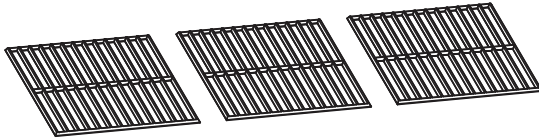


## Step 35

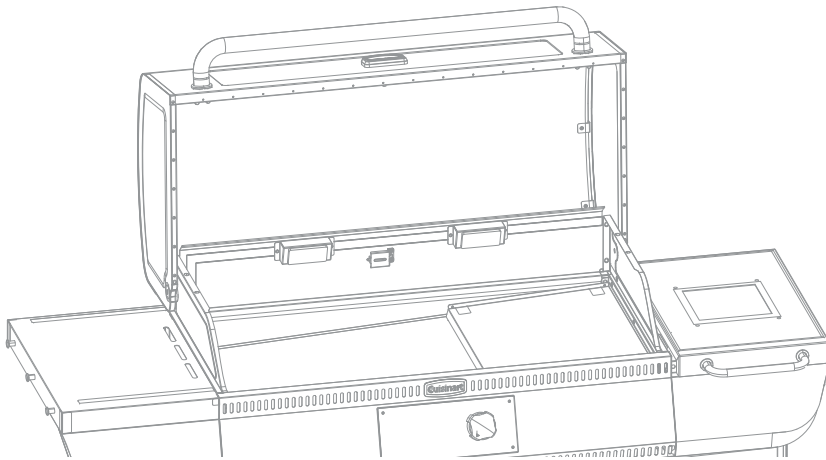
**24** WARMING RACK



**27** COOKING GRATES

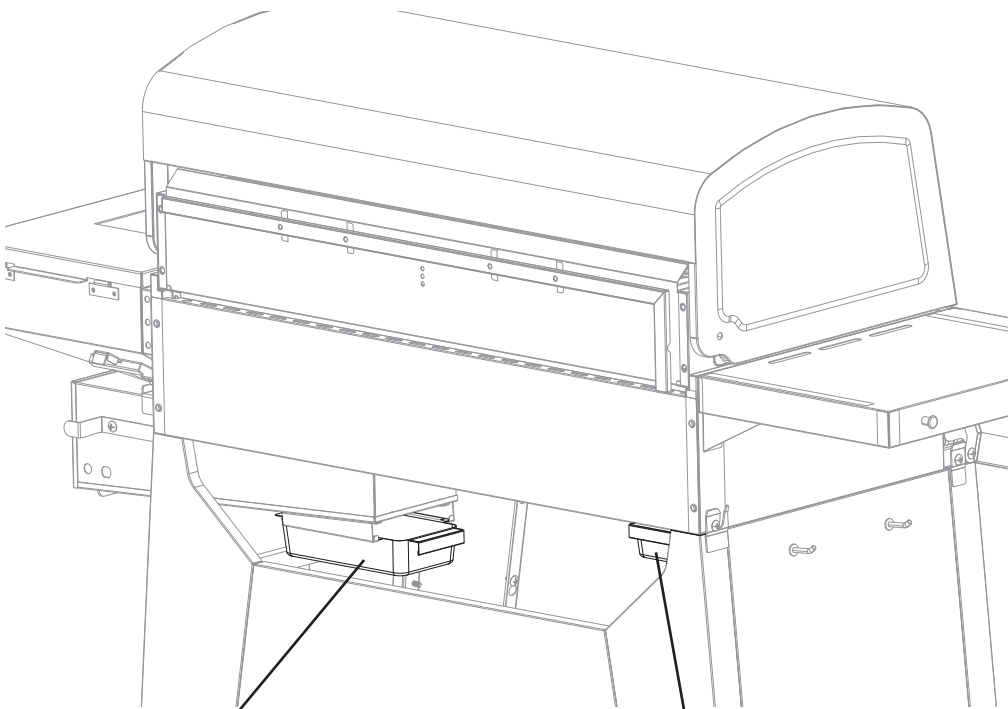


- Install **COOKING GRATES 27** and **WARMING RACK 24**



## Step 36

- Install **ASH CATCHER 25** and **GREASE CUP 23**

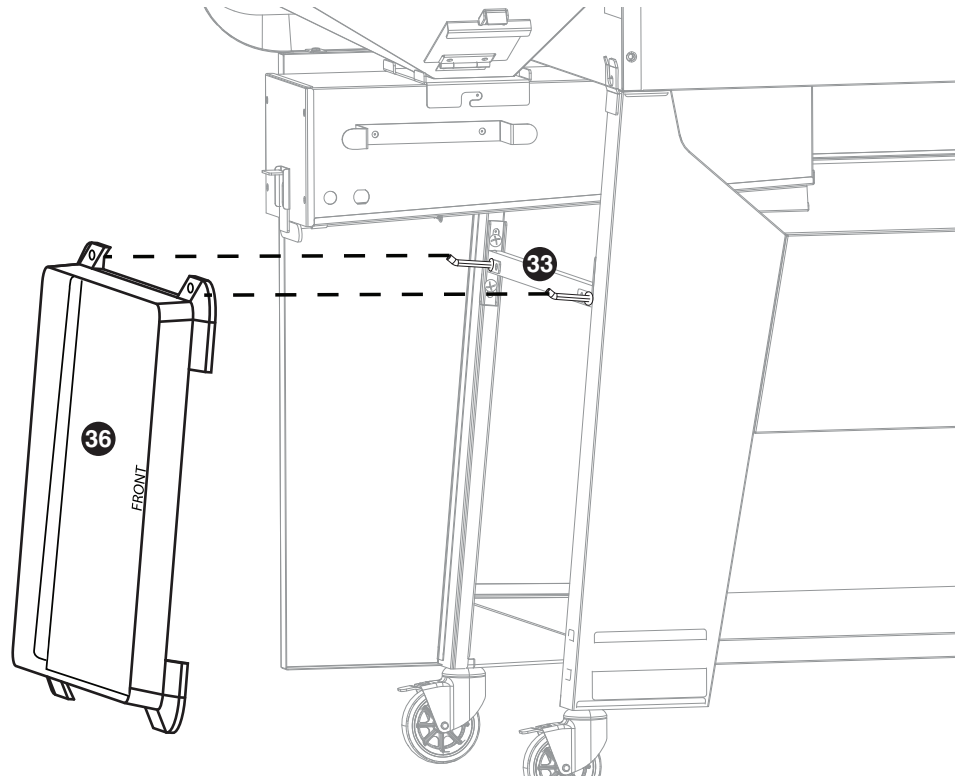


**25** ASH  
CATCHER

**23** GREASE  
CUP

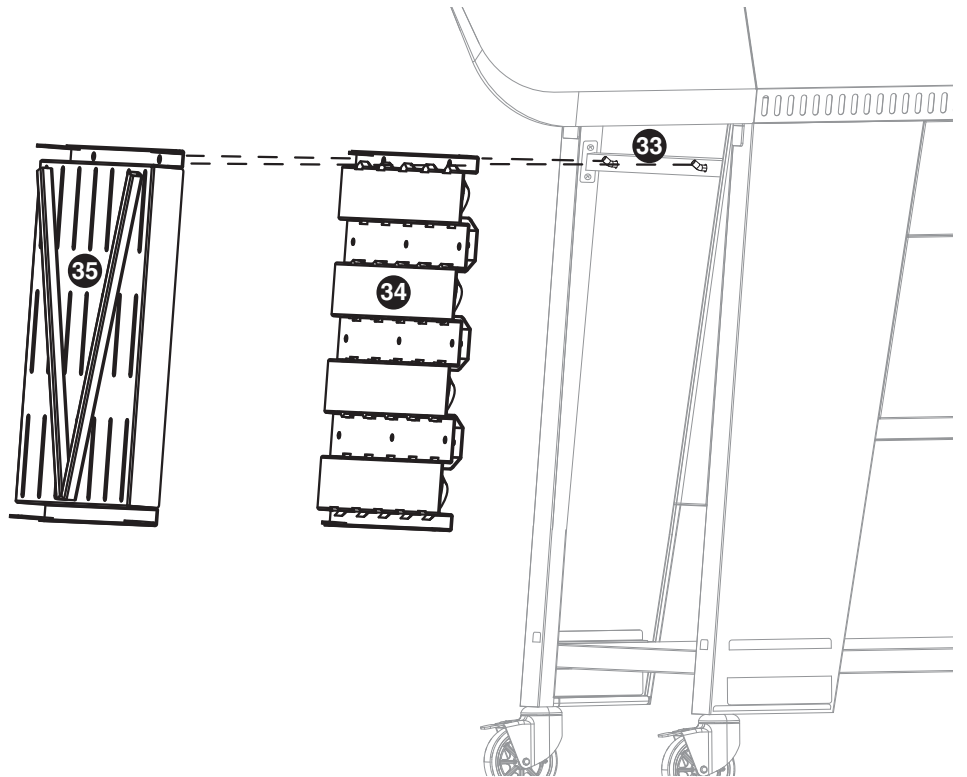
## Step 37

- Store **GRIDDLE** 36 on **ACCESSORY HOOKS** 33



## Step 38

- Store **CERAMIC INSERT** 34 and **CHARCOAL INSERT** 35 on **ACCESSORY HOOKS** 33



# Model SMK0036AS / SMK0036AS0 Assembled

