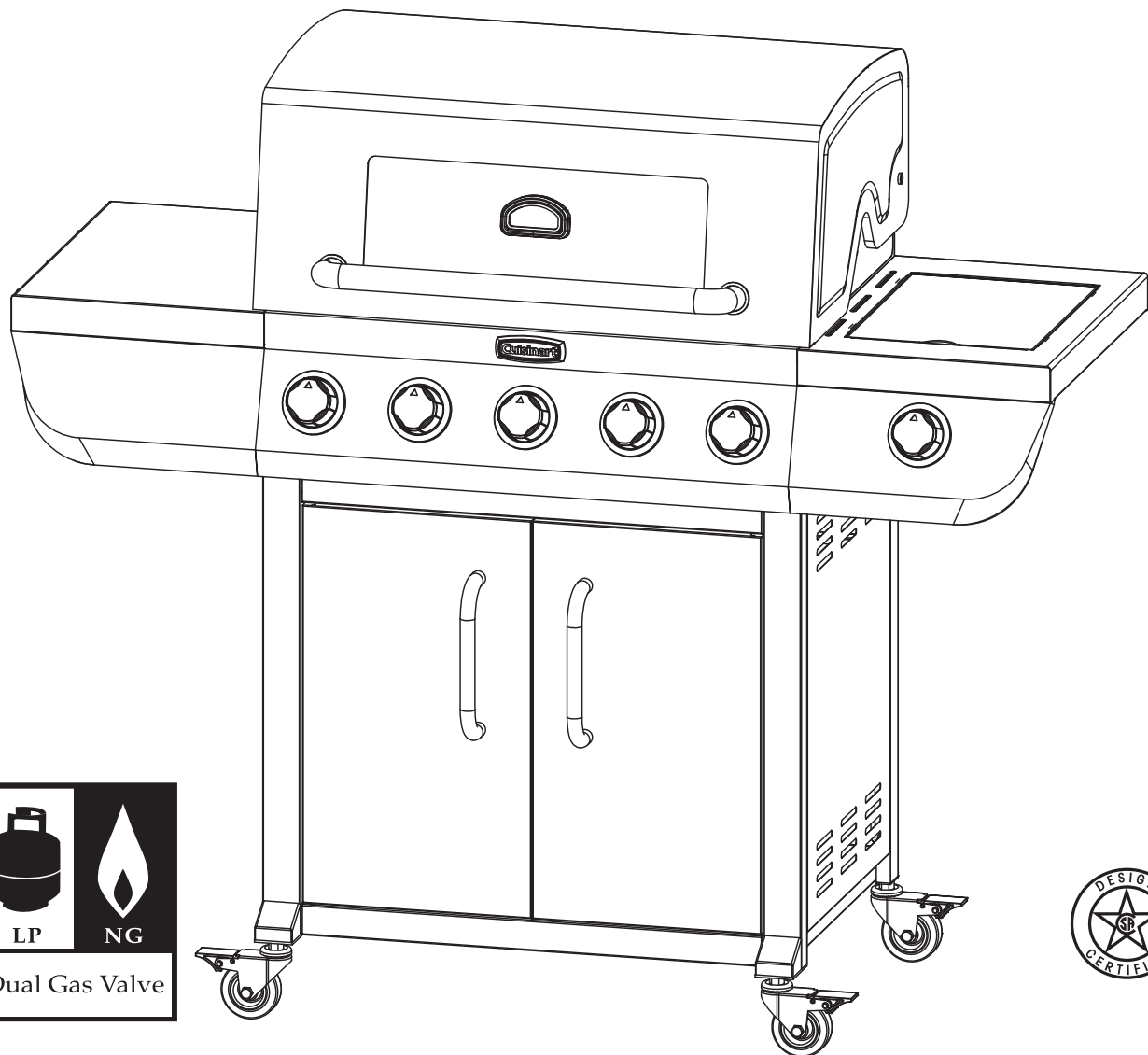


# Cuisinart®

## 5 Burner Gas Grill

# ASSEMBLY INSTRUCTIONS

### Model GAS2556AS



# ASSEMBLY INSTRUCTIONS:

**⚠ READ ALL SAFETY WARNINGS & ASSEMBLY INSTRUCTIONS CAREFULLY BEFORE ASSEMBLING OR OPERATING YOUR GRILL.**

**WE RECOMMEND TWO PEOPLE WORK TOGETHER WHEN ASSEMBLING THIS UNIT.**

The following tools are required to assemble this Cuisinart 5 Burner Gas Grill:

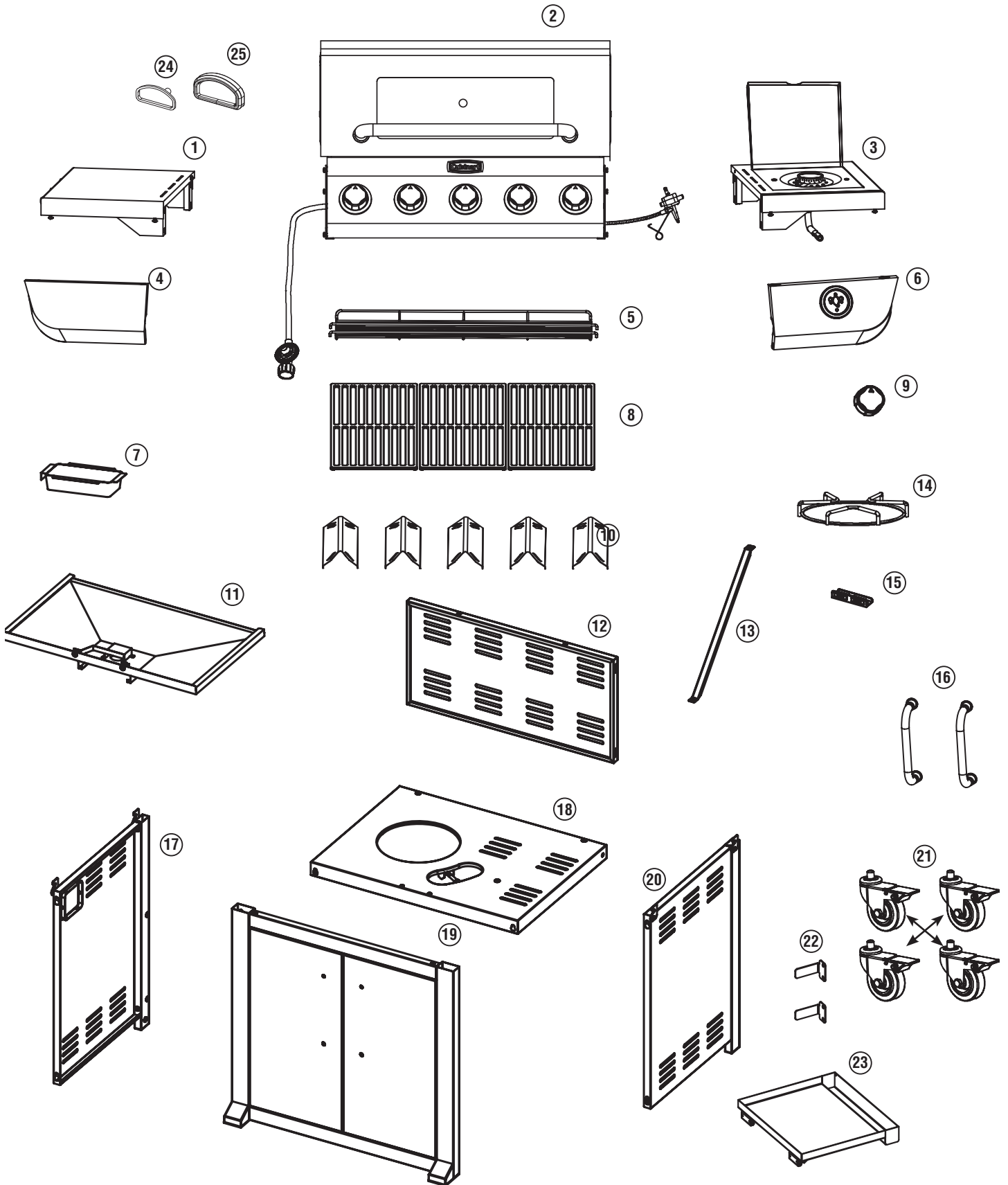
- **Phillips Screwdriver**

## PARTS LIST:

|   |   |                          |   |   |                   |
|---|---|--------------------------|---|---|-------------------|
| ① | 1 | Left Side Table          | ⑬ | 1 | Tank Block Bar    |
| ② | 1 | Grill Body               | ⑭ | 1 | Side Burner Grate |
| ③ | 1 | Right Side Table         | ⑮ | 1 | Door Stopper      |
| ④ | 1 | Left Side Control Panel  | ⑯ | 2 | Door Handles      |
| ⑤ | 1 | Warming Rack             | ⑰ | 1 | Left Side Panel   |
| ⑥ | 1 | Right Side Control Panel | ⑱ | 1 | Cart Base         |
| ⑦ | 1 | Grease Cup               | ⑲ | 1 | Door Frame        |
| ⑧ | 3 | Cooking Grates           | ⑳ | 1 | Right Side Panel  |
| ⑨ | 1 | Side Burner Knob         | ㉑ | 4 | Casters           |
| ⑩ | 5 | Heat Tents               | ㉒ | 2 | Griddle Brackets  |
| ⑪ | 1 | Grease Tray              | ㉓ | 1 | Griddle           |
| ⑫ | 1 | Back Panel               | ㉔ | 1 | Temperature Gauge |
|   |   |                          | ㉕ | 1 | Bezel             |

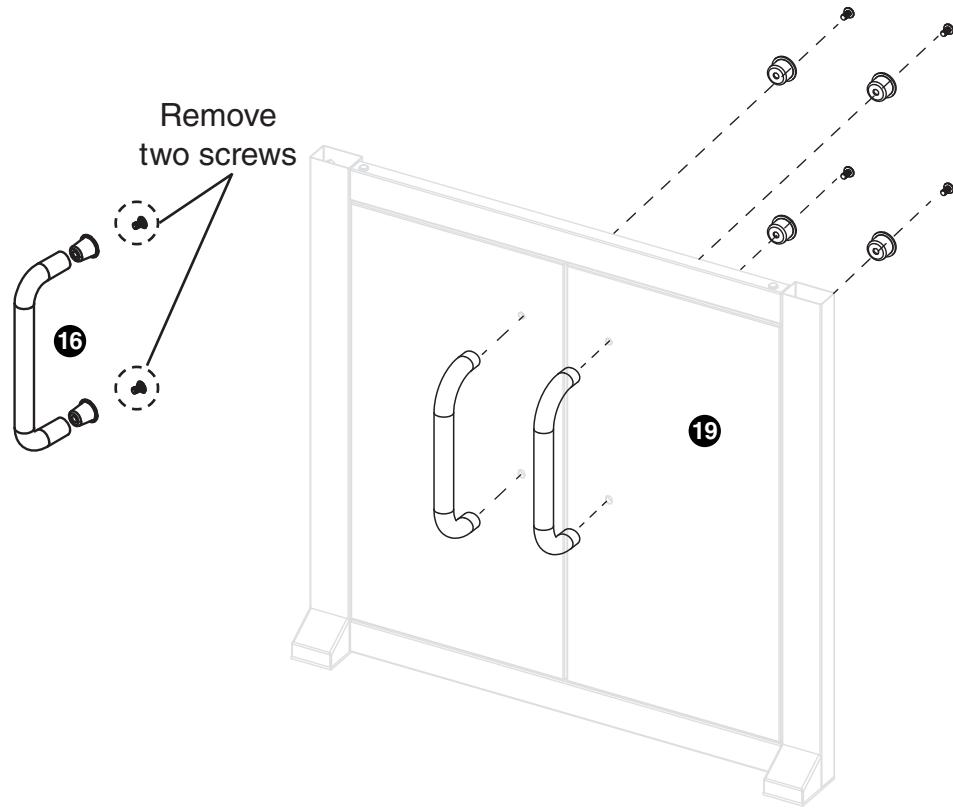
**Note:** Most hardware is pre-attached to the grill. You may need to loosen some screws partially while others may need to be removed in order to assemble parts. The screws that you remove will be re-used so don't misplace this hardware.

Extra screws are included in a small bag with the owners manual.



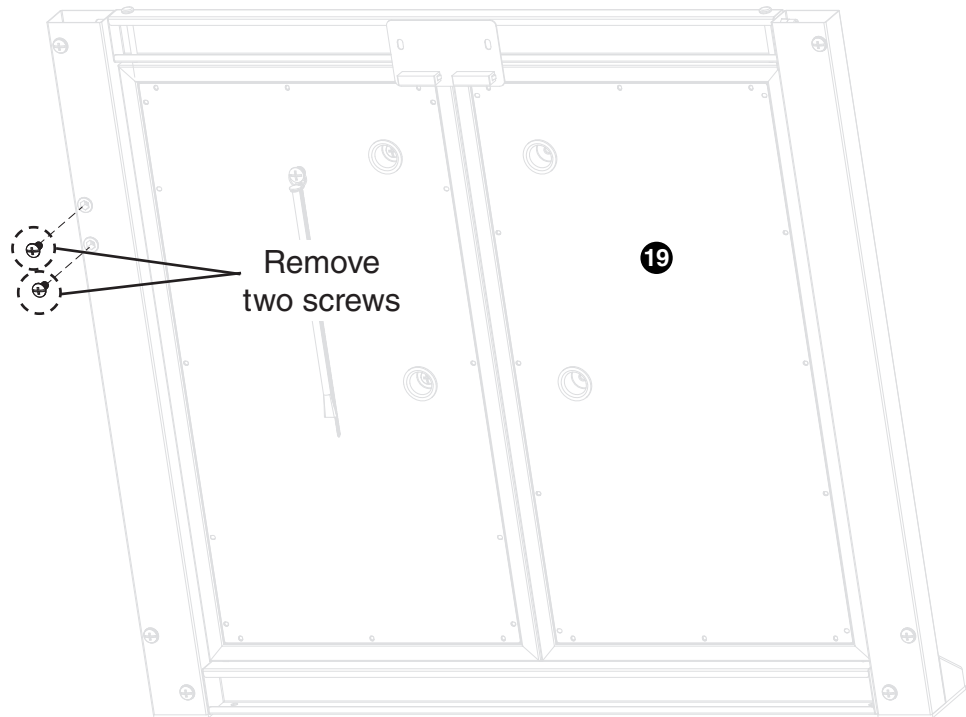
## Step 1

- Remove two screws and door spacers from each door handle **16**.
- Attach door handles **16** to doors in door frame **19** using four screws.

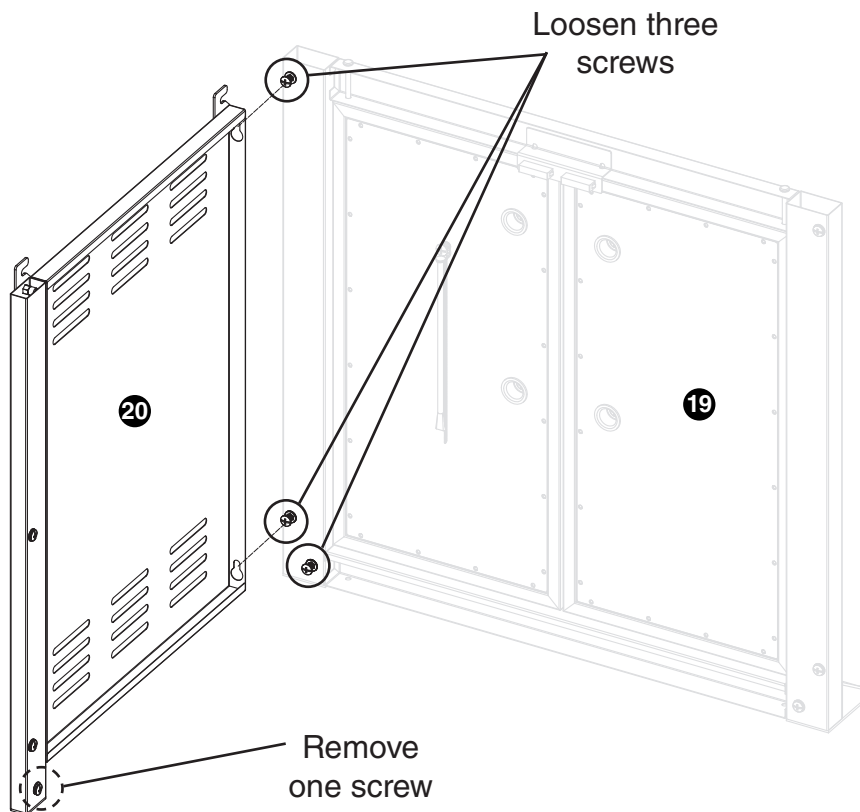


## Step 2

- Remove two screws from door frame **19**. Set aside for later use.

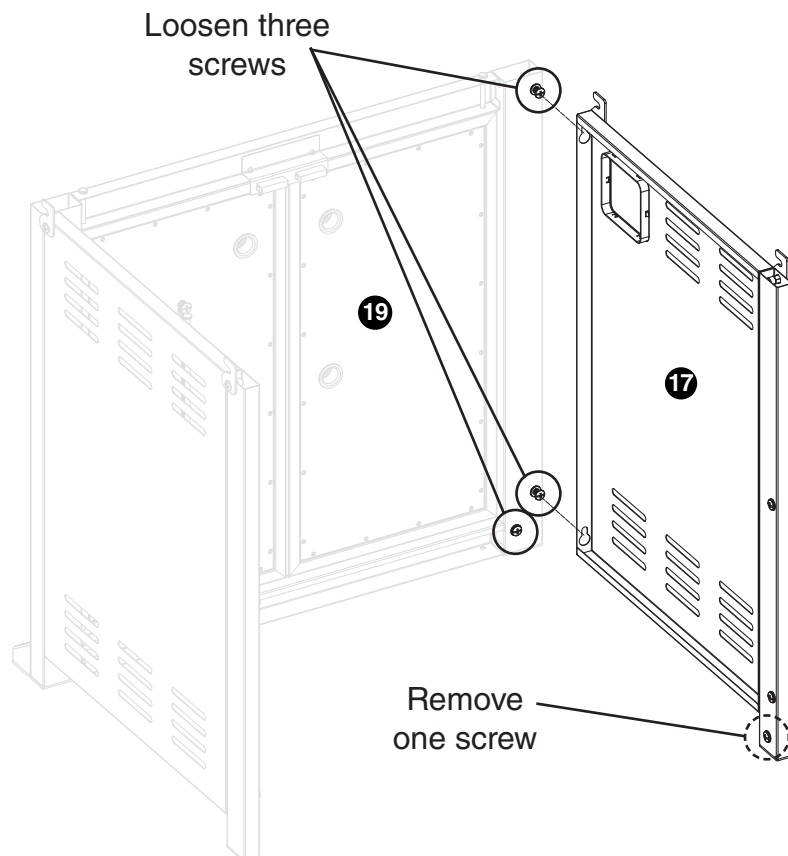


### Step 3



- Loosen three screws on door frame 19.
- Attach right side panel 20 to door frame 19 over keyholes and tighten screws.
- Remove one screw and set aside.

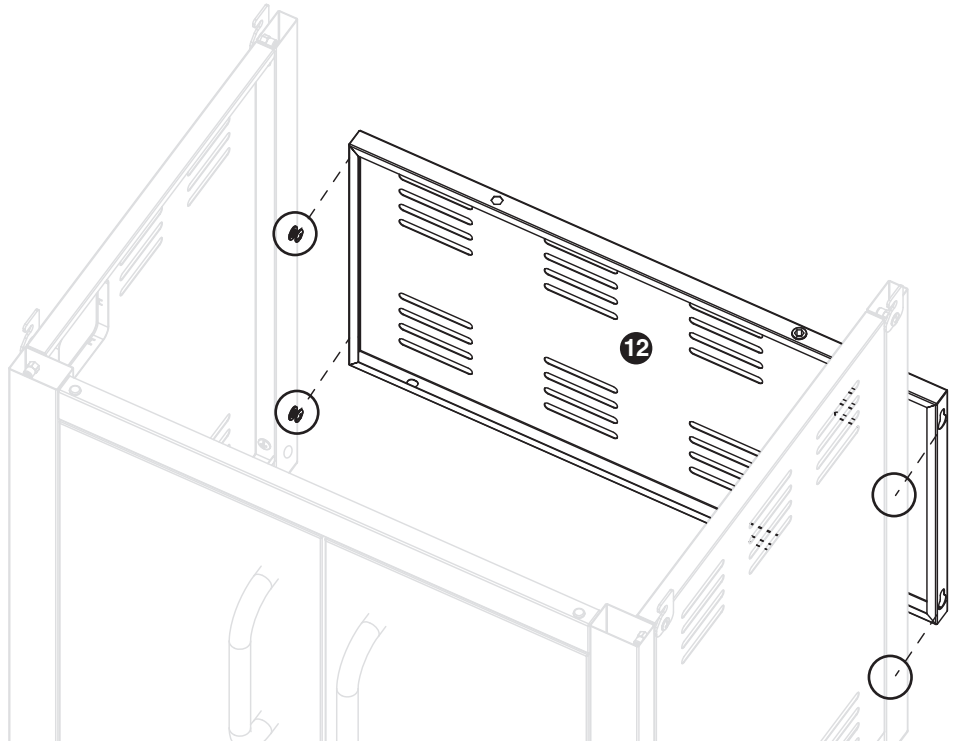
### Step 4



- Loosen three screws on door frame 19.
- Attach left side panel 17 to door frame 19 over keyholes and tighten screws.
- Remove one screw and set aside.

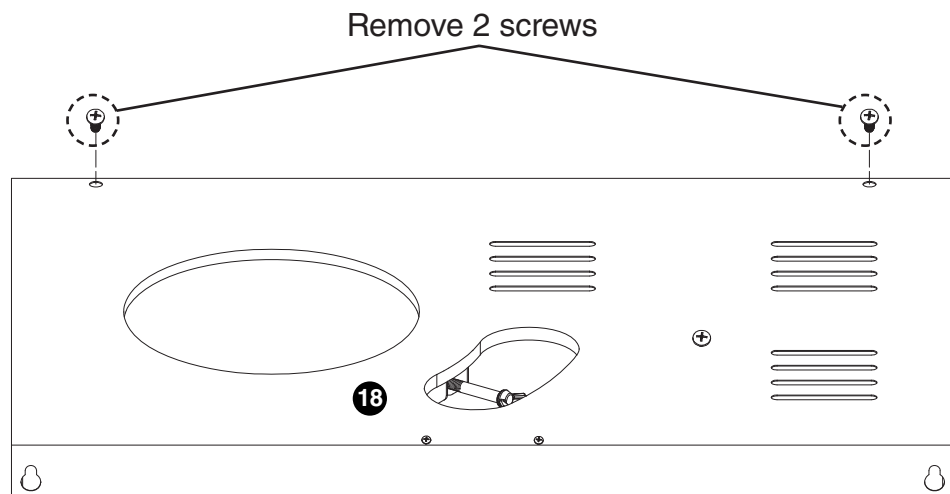
## Step 5

- Loosen four screws on cart side panels.
- Attach back panel **12** to cart over keyholes and partially tighten screws.
- Do not fully tighten screws at this time.

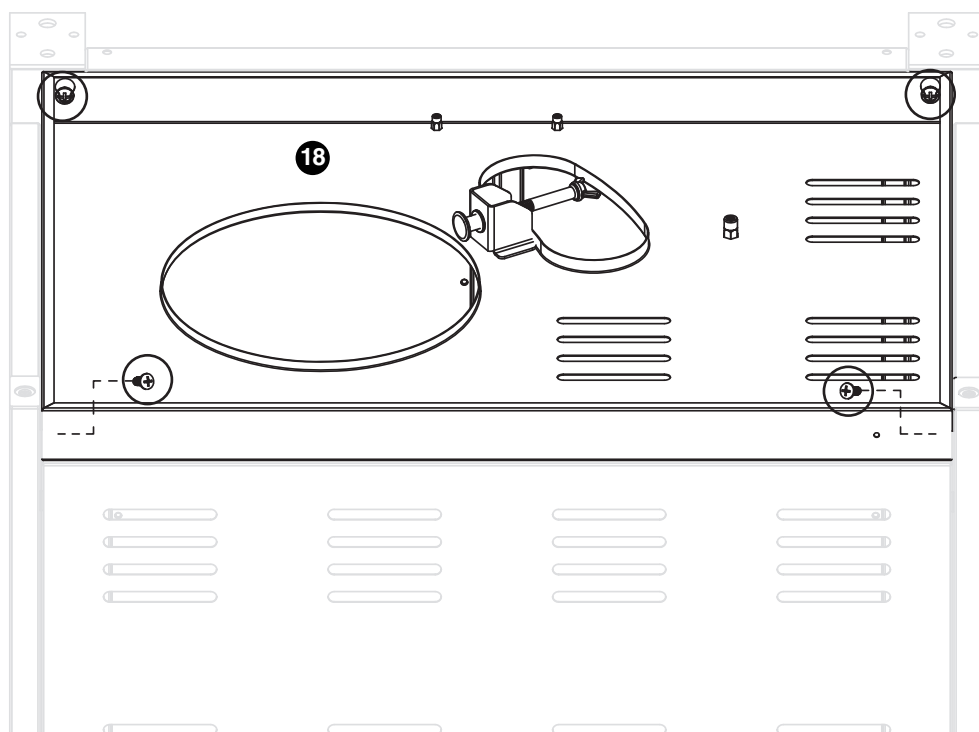


## Step 6

- Remove two screws from cart base **18**.

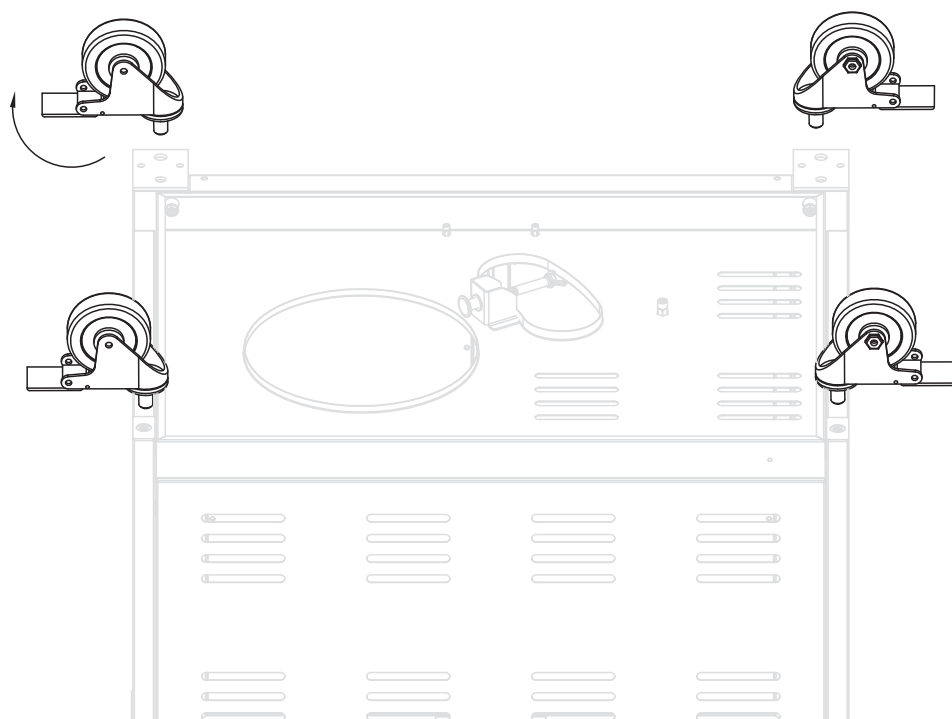


## Step 7



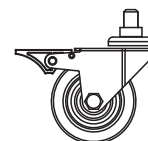
- Attach cart base **18** to cart using two pre-attached screws and two screws removed from Steps 3 and 4.
- Tighten all screws on cart base **18**.

## Step 8

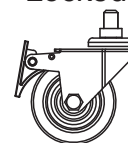


- Lock casters **21**.
- Attach casters **21** to legs

Unlocked

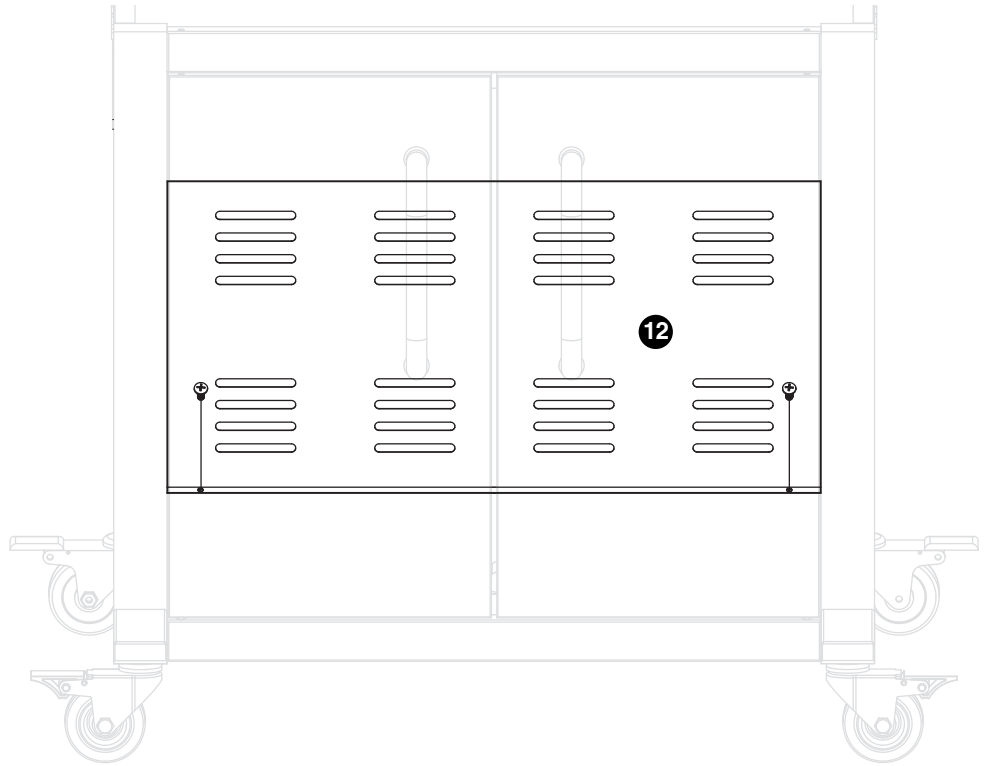


Locked



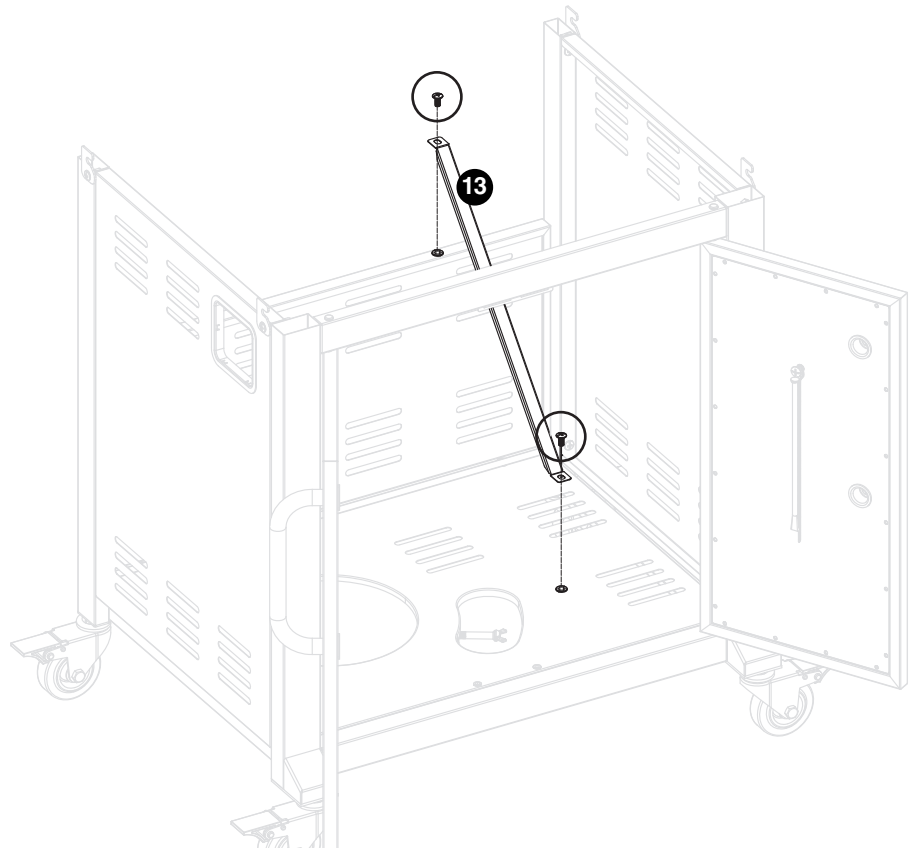
## Step 9

- Attach back panel **12** using two screws removed from Step 5.
- Tighten the four screws from Step 4.



## Step 10

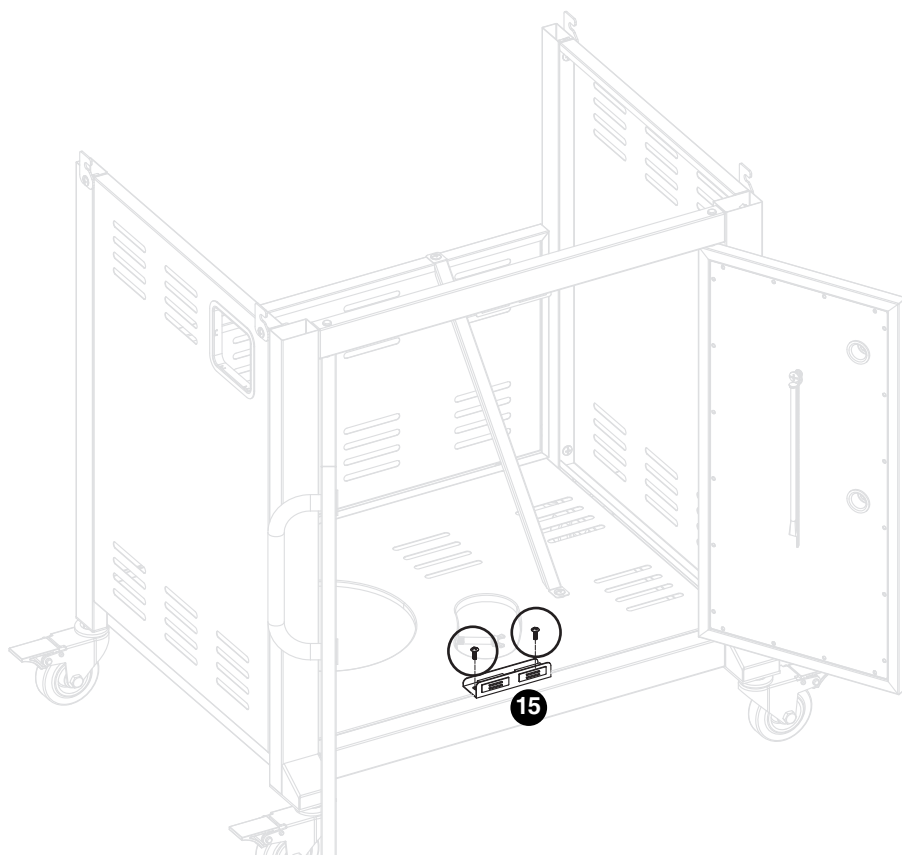
- Attach tank block bar **13** to cart using two pre-attached screws.





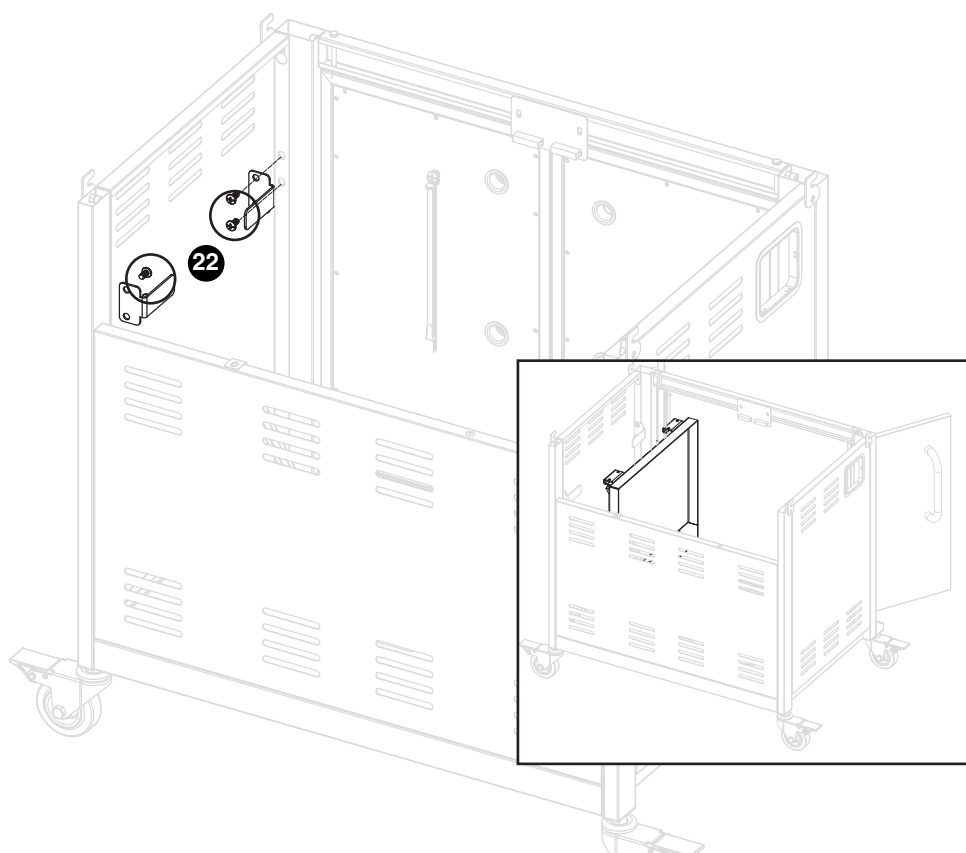
## Step 11

- Attach door stopper **15** to cart base using two pre-attached screws.



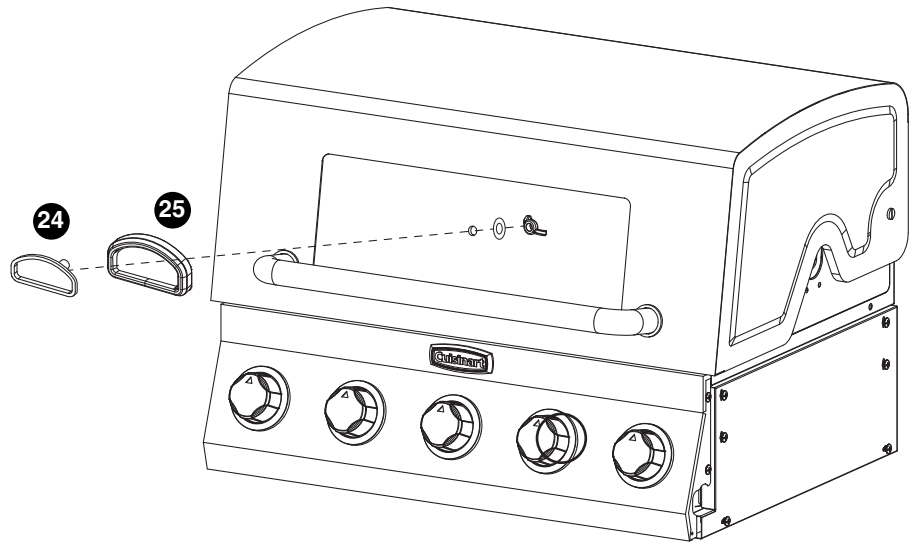
## Step 12

- Attach one griddle bracket **22** to right side panel using two pre-attached screws.
- Attach the other griddle bracket **22** to door frame using two screws removed in Step 2.
- Griddle can be stored on brackets inside cart.



## Step 13

- Attach bezel **25** and temperature gauge **24** to hood using pre-attached wing nut and washer.



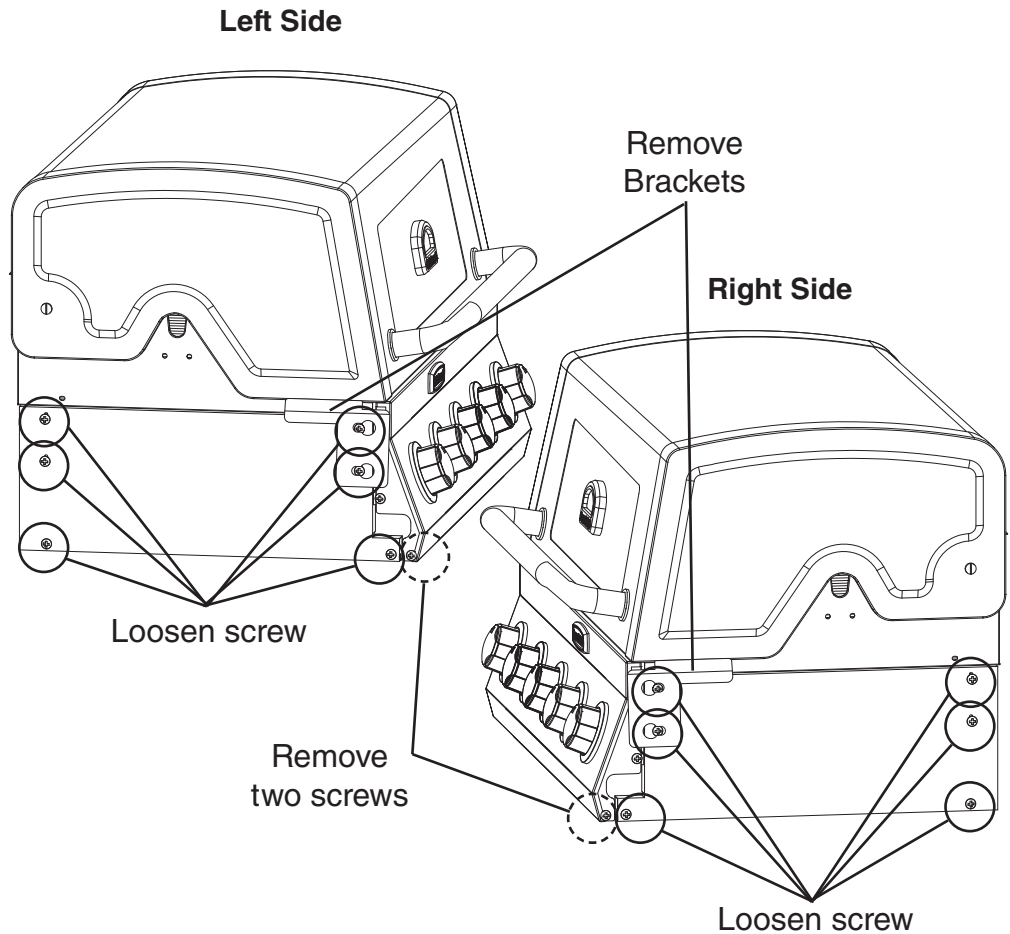
## Step 14

### LEFT SIDE

- Loosen six screws.
- Remove protective bracket.
- Remove 1 screw.

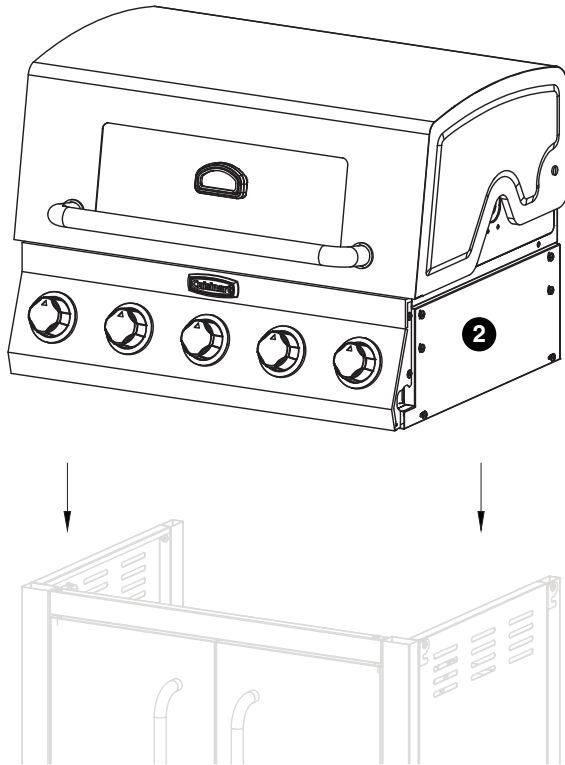
### RIGHT SIDE

- Loosen six screws.
- Remove protective bracket.
- Remove 1 screw.



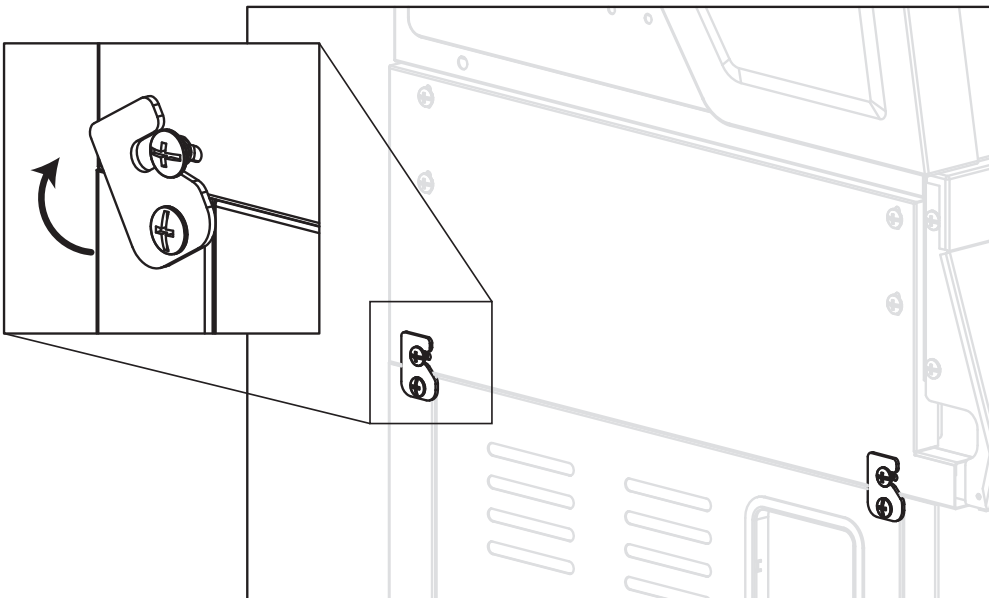
## Step 15

- Place grill body assembly **2** on cart.



## Step 16

- Loosen screws and rotate brackets upwards.
- Tighten screws.
- Repeat on both sides of grill body.

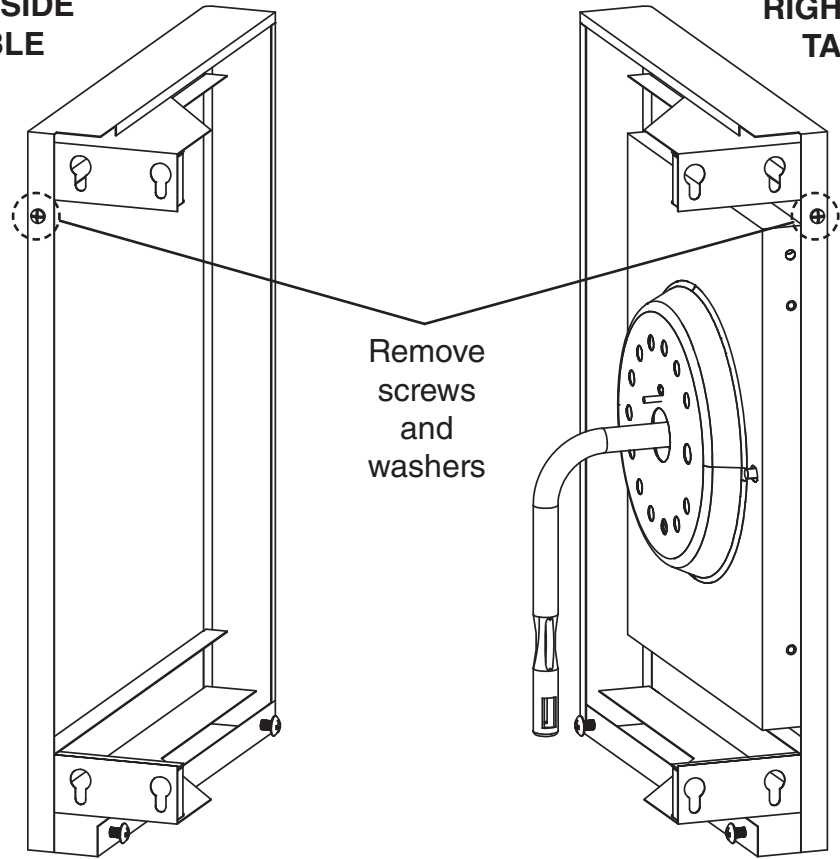


## Step 17

- Remove two screws and washers and set aside.

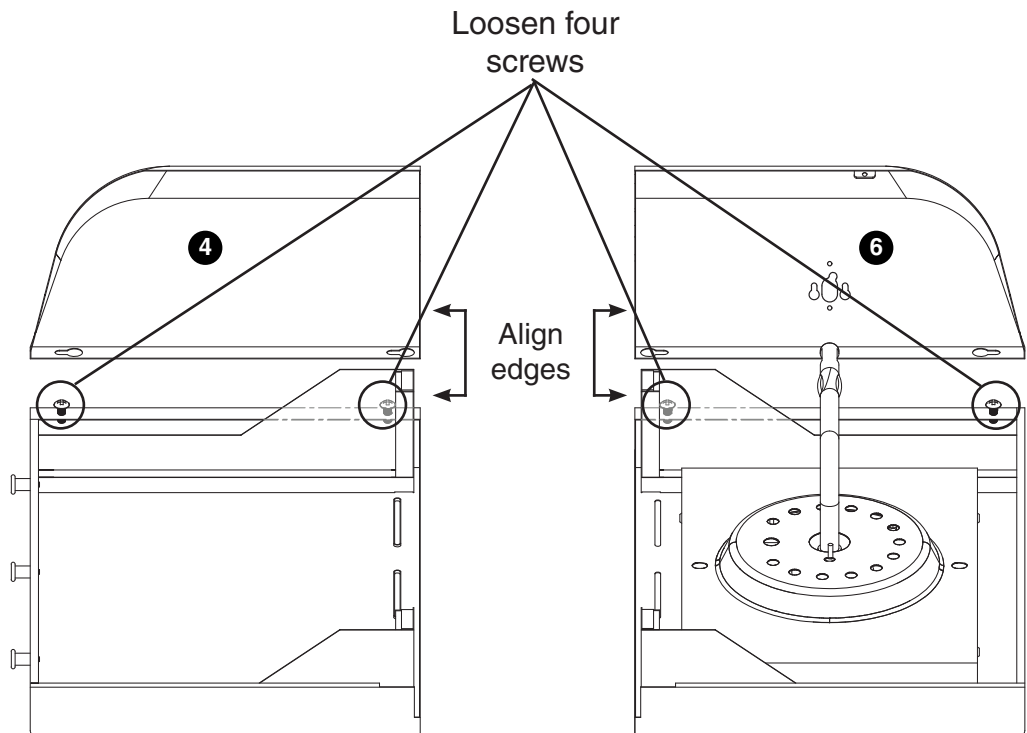
LEFT SIDE TABLE

RIGHT SIDE TABLE

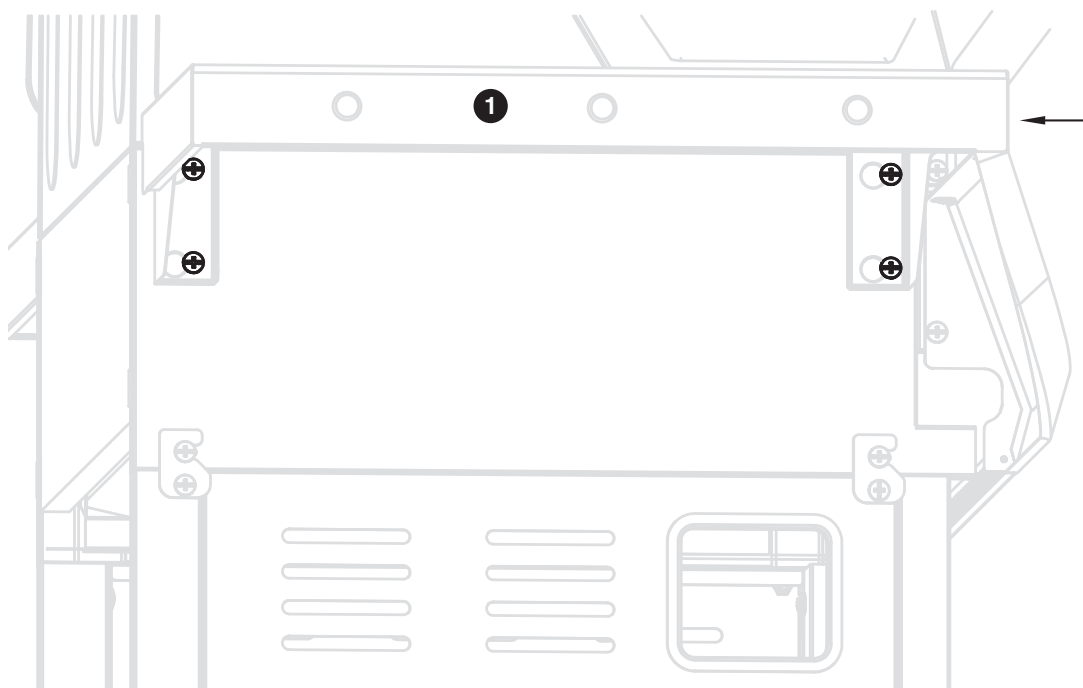


## Step 18

- Loosen 4 screws.
- Attach left and right front control panels 4 and 6 over keyholes.
- Tighten screws.

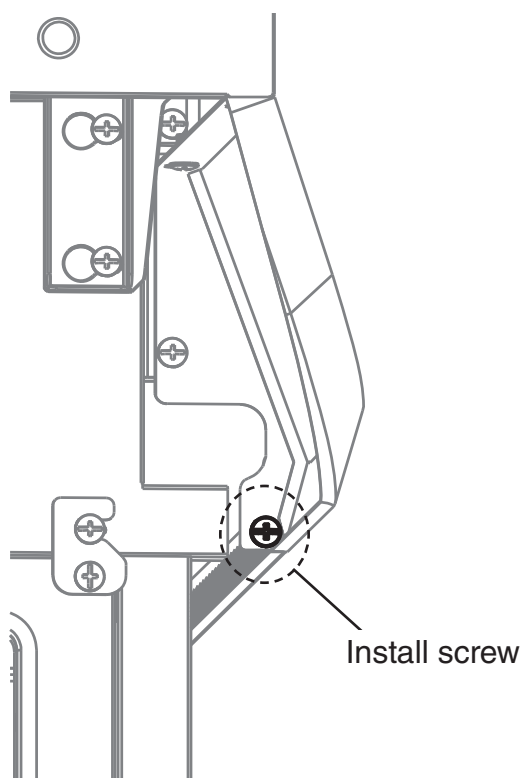


## Step 19



- Attach left side table **1** over keyholes.
- Do not tighten screws at this point in time.

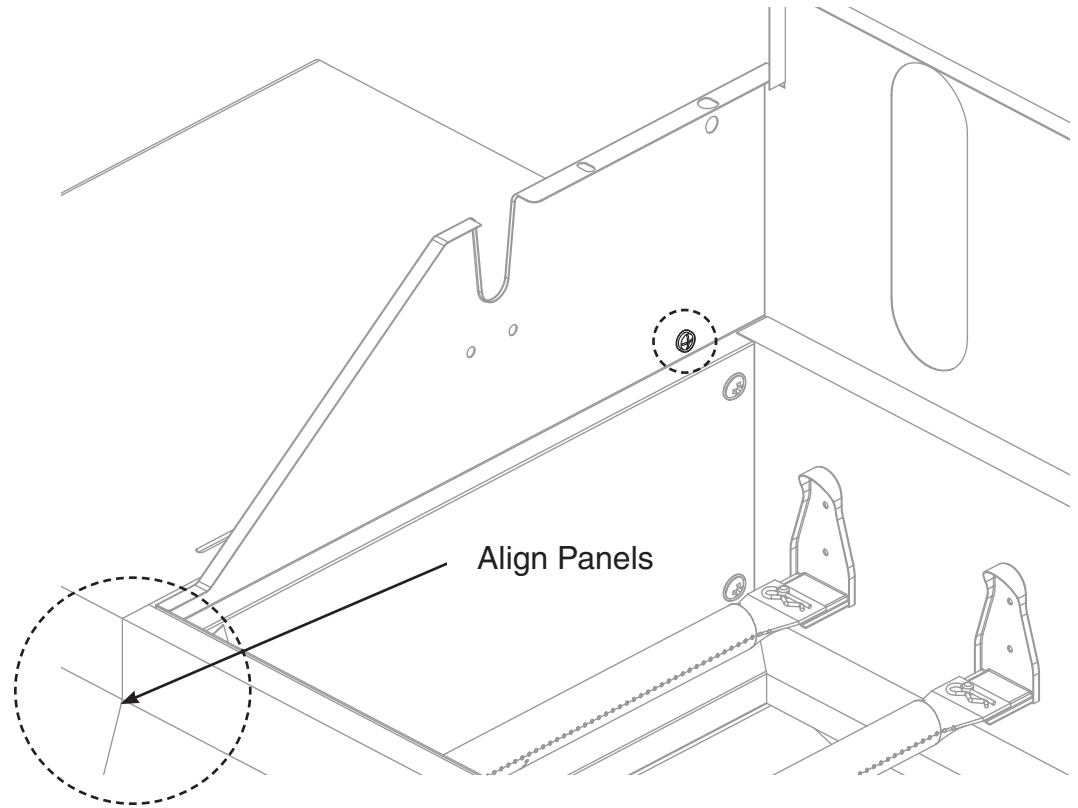
## Step 20



- Install screw.  
(screw was removed in Step 14)
- Do not tighten screw at this time.

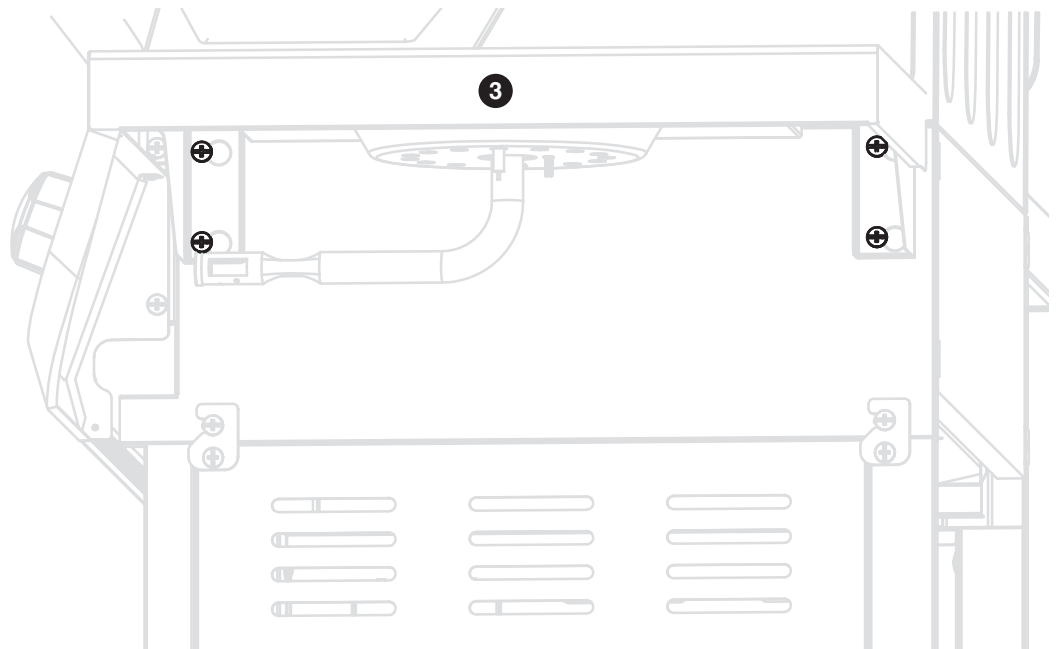
## Step 21

- Install screw and washer (screw and washer were removed in Step 17). Do not tighten screw at this time.
- Make sure panels are aligned.
- Tighten 6 screws from Steps 19 through 21.

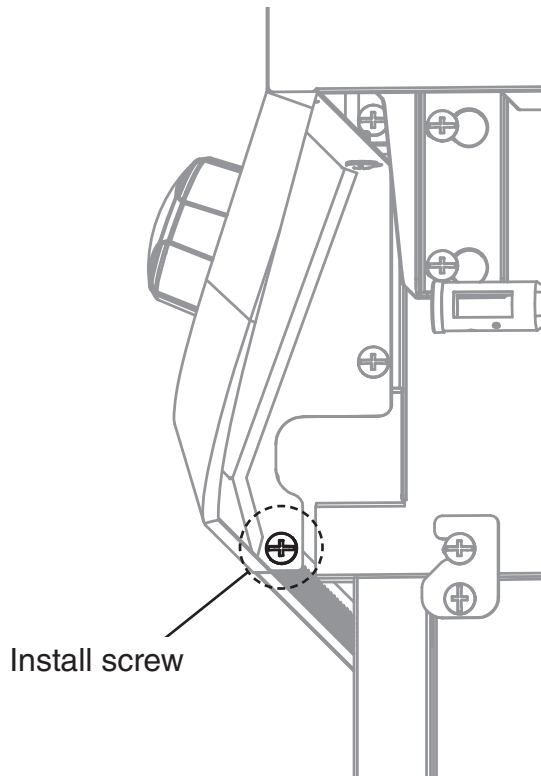


## Step 22

- Attach right side table **3** over keyholes.
- Do not tighten screws at this time.

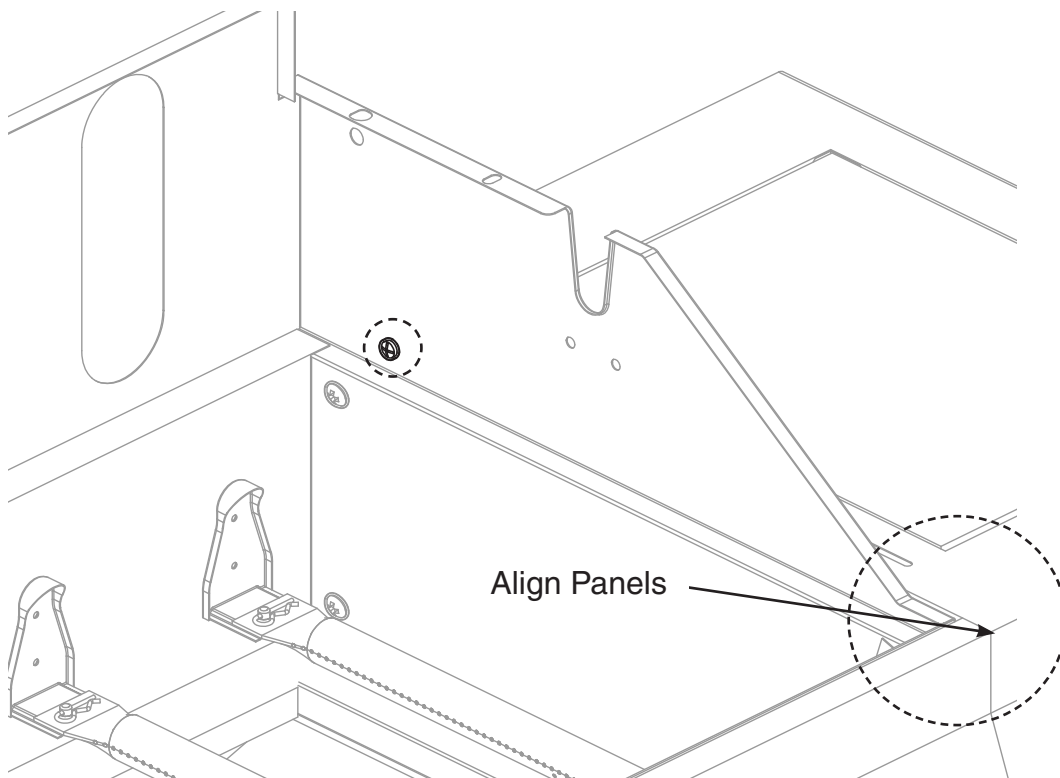


## Step 23



- Install screw. (screw was removed in Step 14)
- Do not tighten screw at this time.

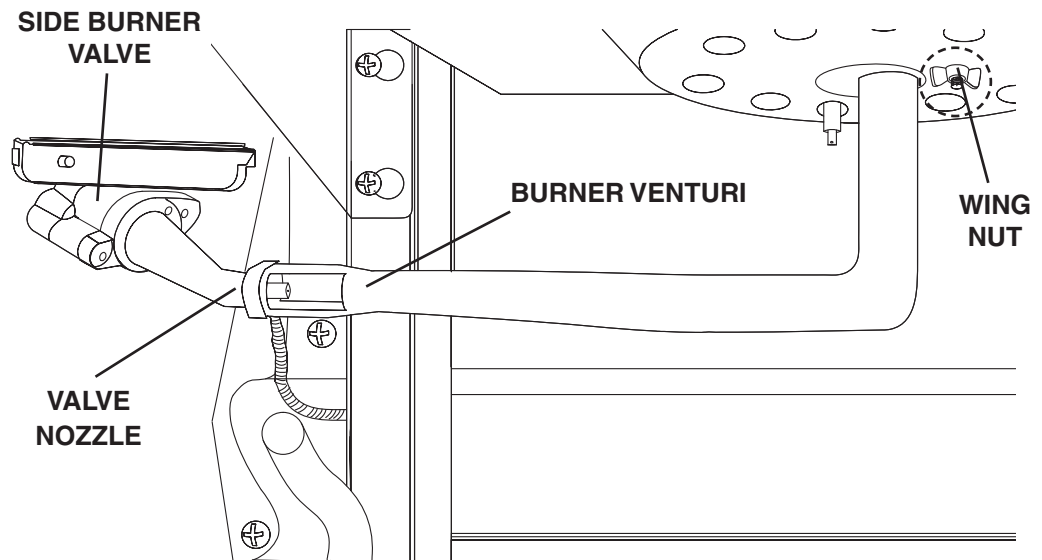
## Step 24



- Install screw and washer (screw and washer were removed in Step 17). Do not tighten screw at this time.
- Make sure panels are aligned.
- Tighten 6 screws from Steps 22 through 24.

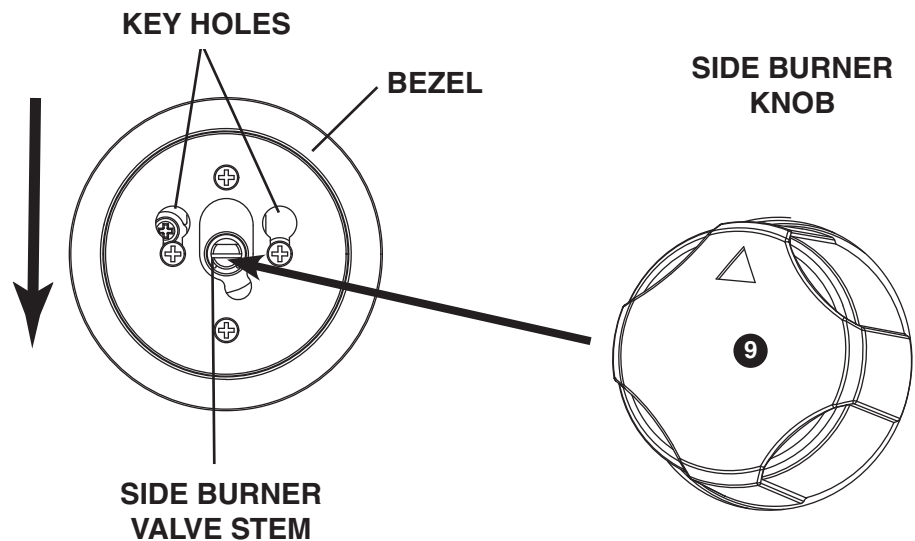
## Step 25

- Remove wing nut and remove burner. Install side burner valve in control panel.
- Slide valve downward and tighten two screws to lock into place (see diagram Step 26)
- Install burner and make sure burner venturi fits over valve nozzle.
- Tighten wing nut.



## Step 26

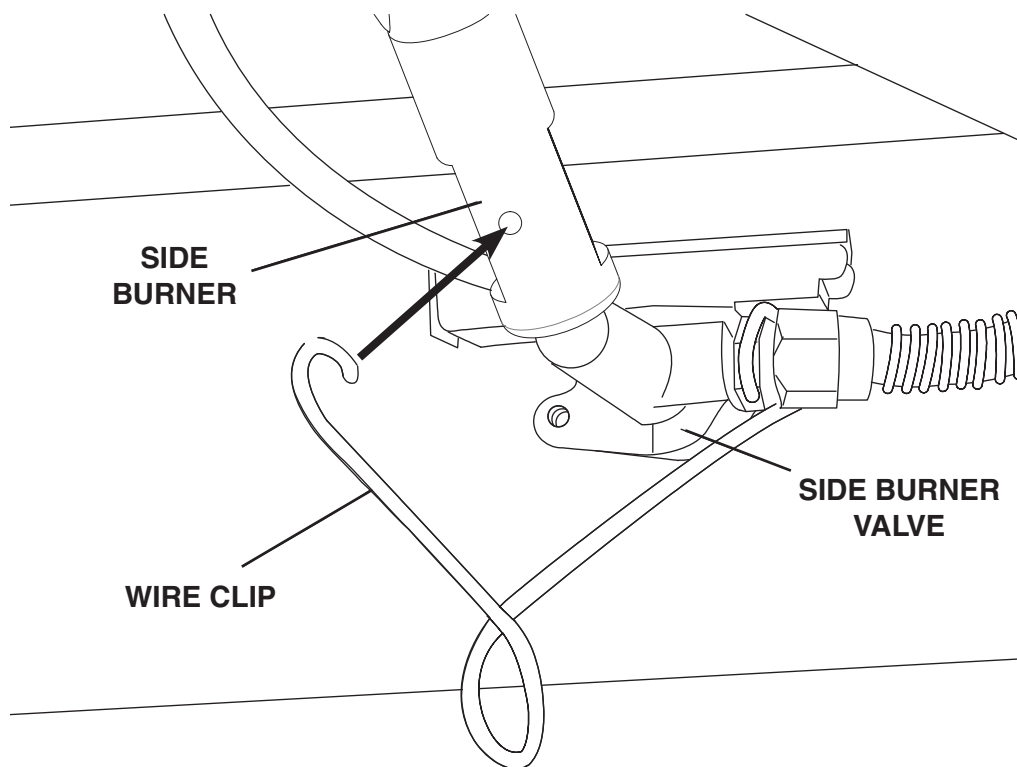
- Install side burner knob 9.





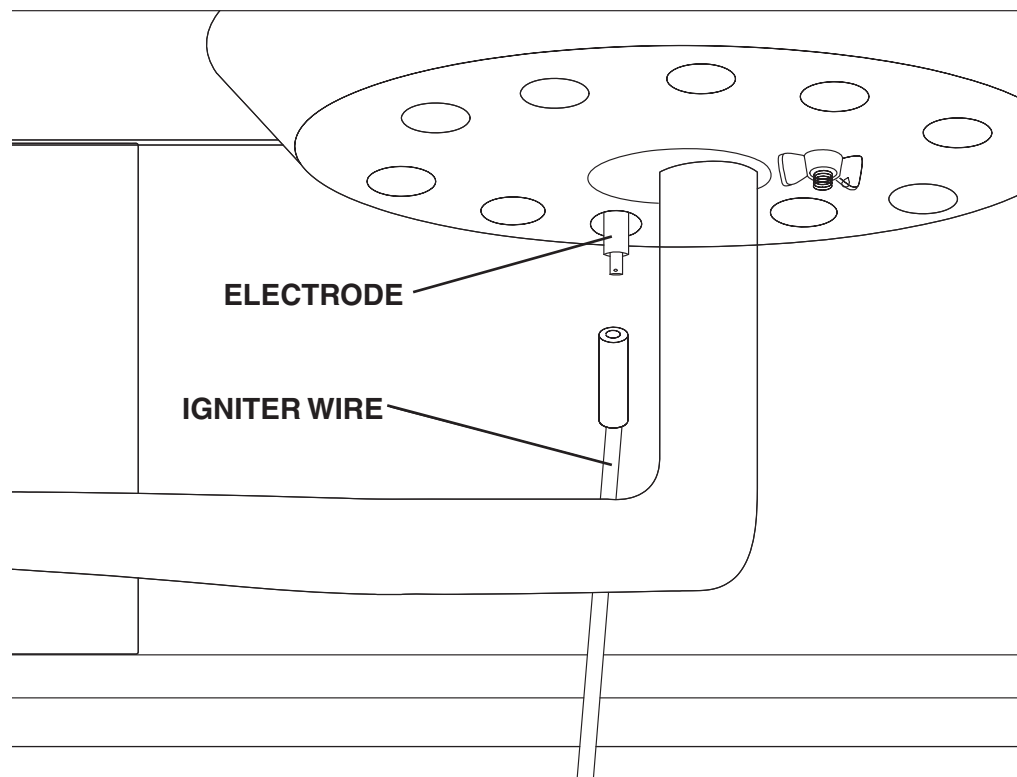
## Step 27

- Attach wire clip to side burner.



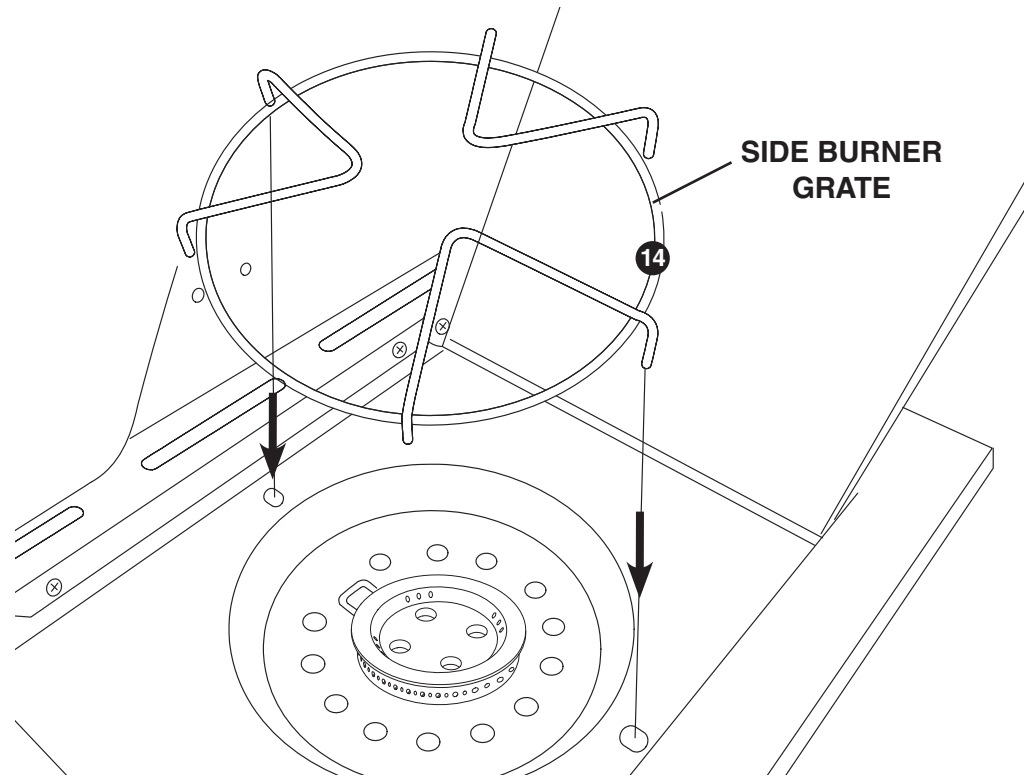
## Step 28

- Attach ignitor wire to electrode.



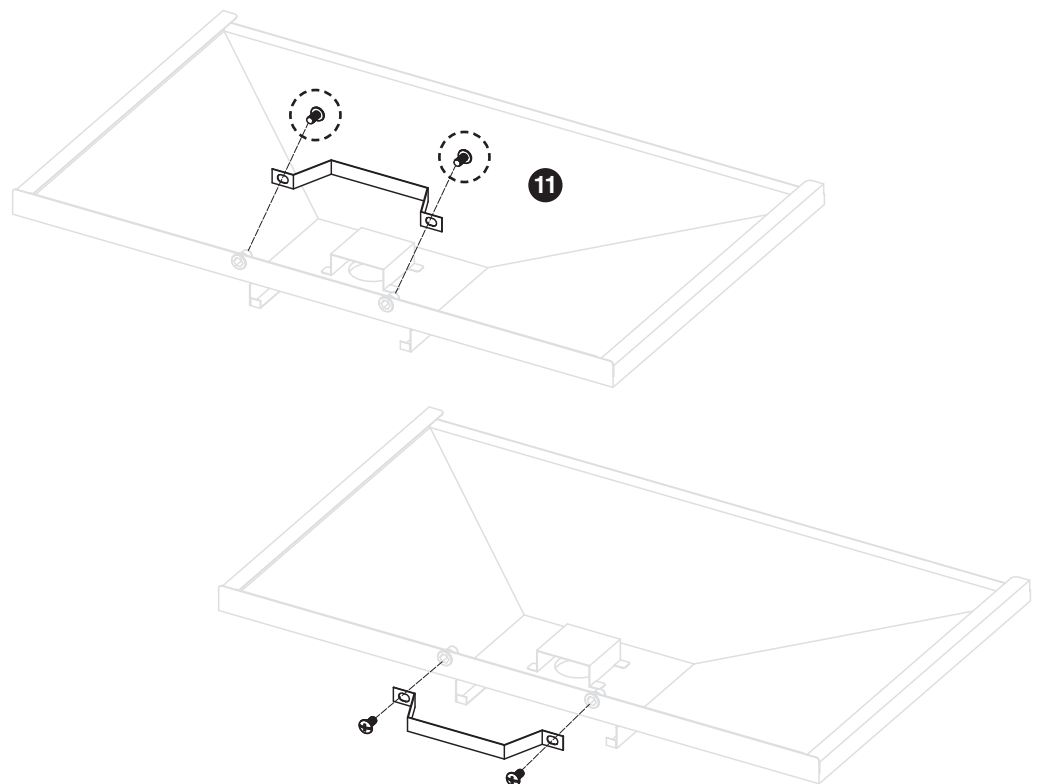
## Step 29

- Install side burner grate **14**.

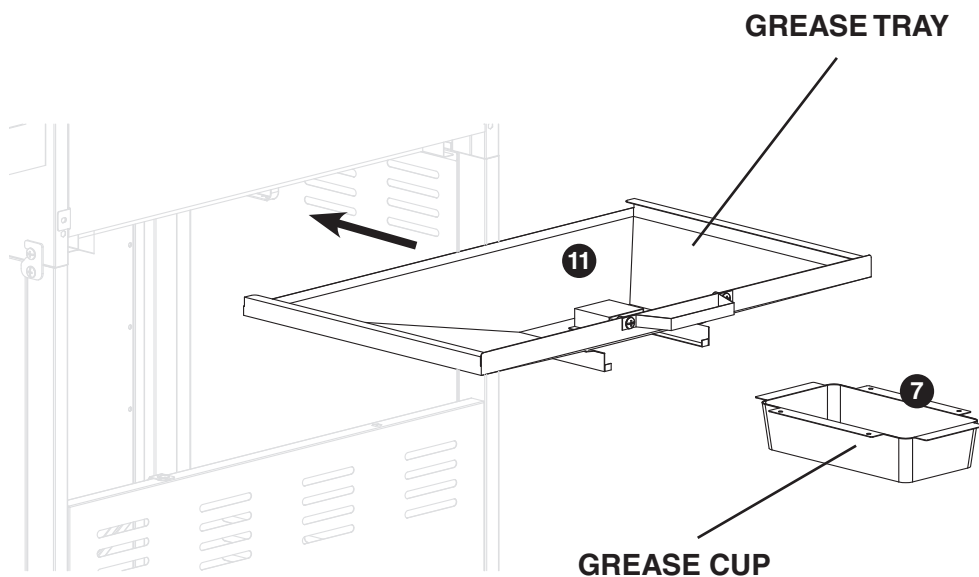


## Step 30

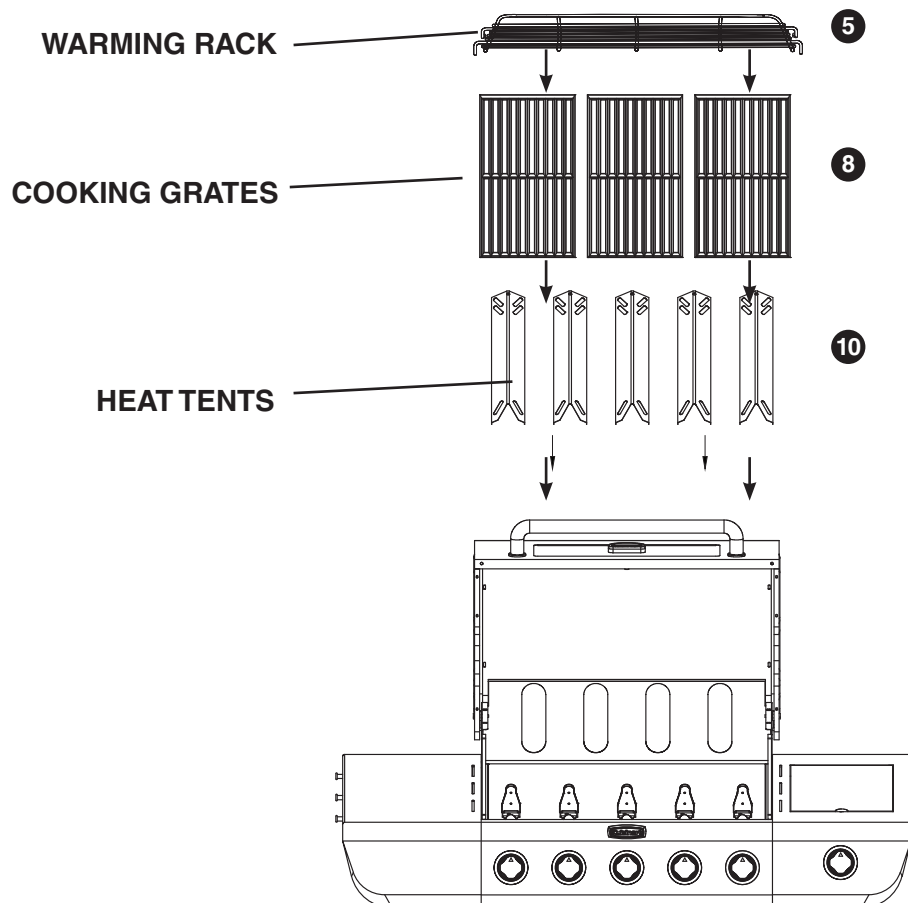
- Remove two screws from grease tray handle.
- Attach grease tray handle to outside using two screws.
- Tighten screws.



## Step 31



- Install grease tray **11** and grease cup **7** through back of grill.



## Step 32

- Install heat tents **10**, cooking grates **8** and warming rack **5**.

# Model GAS2556AS Assembled

