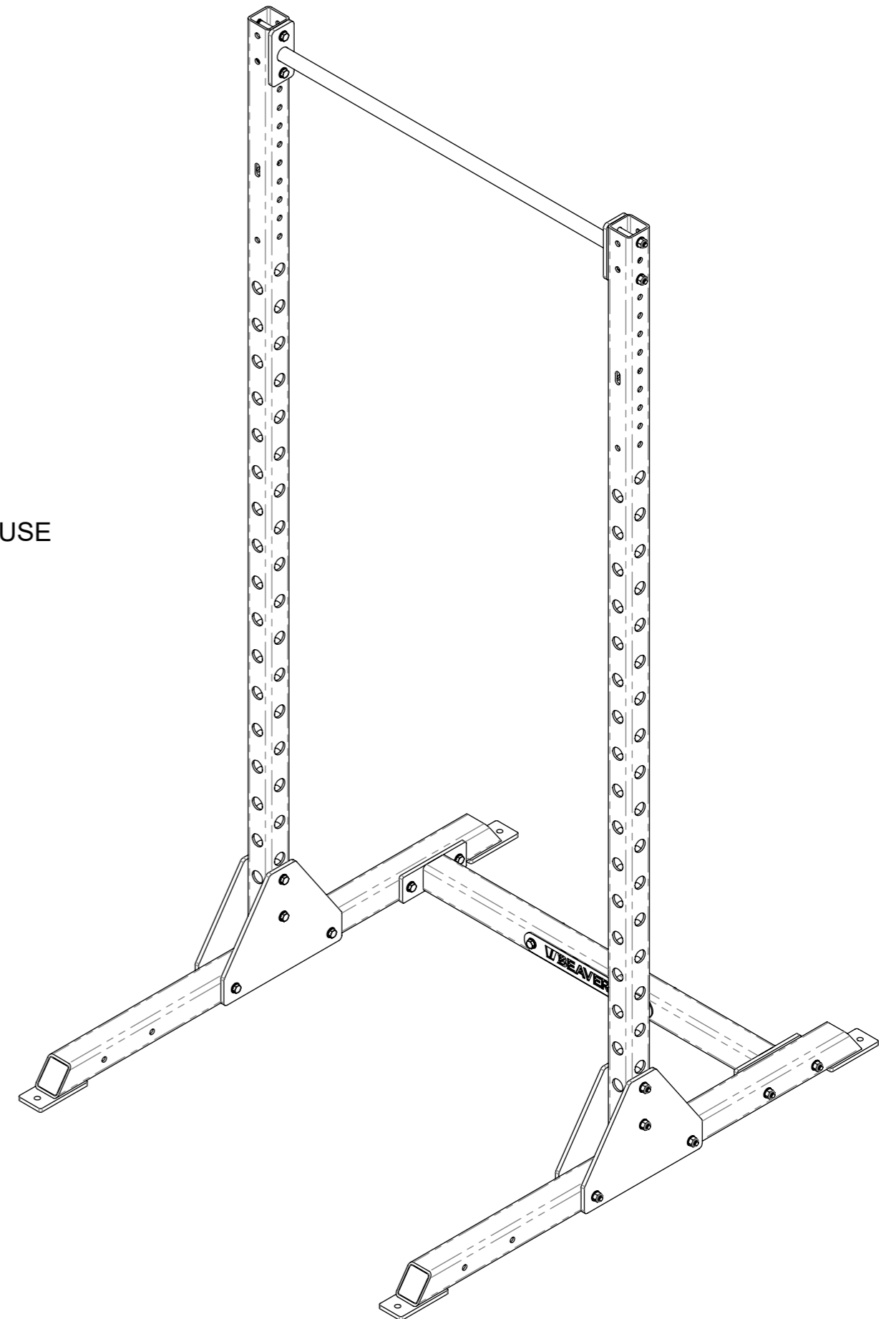


# **BEAVERFIT - GARAGE RACK**

## **ASSEMBLY INSTRUCTIONS**

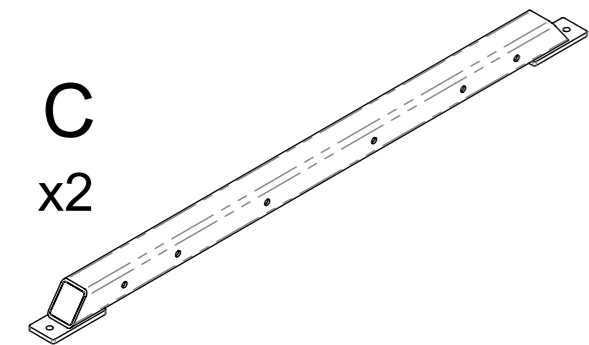
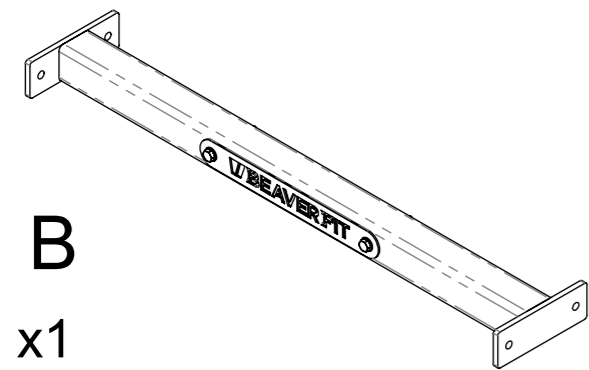
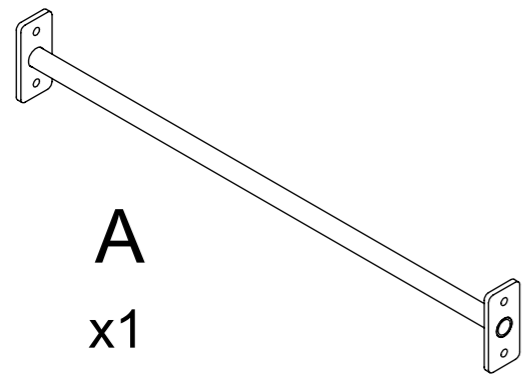
### IMPORTANT POINTS

1. ENSURE RACK IS ON LEVEL GROUND WHEN IN USE
2. ENSURE ALL FIXINGS ARE TIGHT BEFORE USE



# **BEAVERFIT - GARAGE RACK** **ASSEMBLY INSTRUCTIONS**

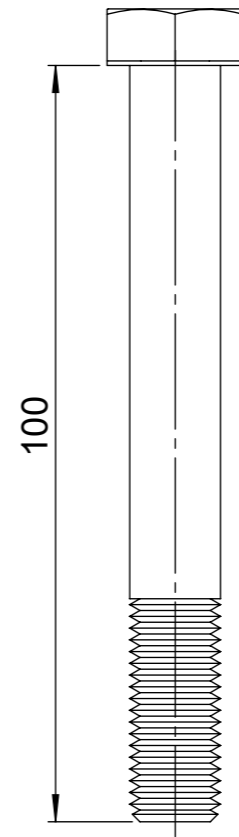
## **WHATS INCLUDED**



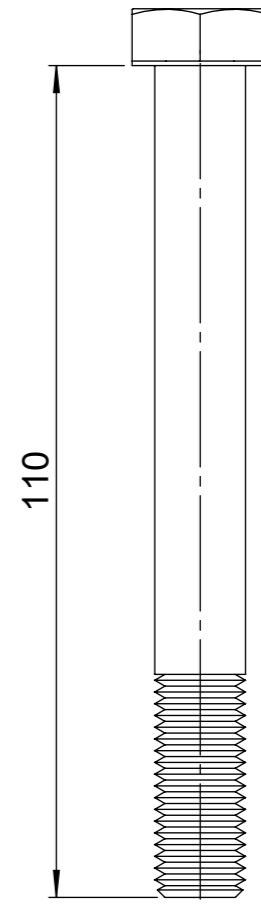
**D**  
x2



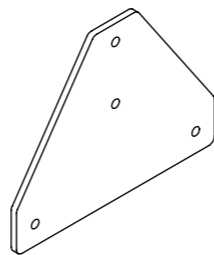
**F**  
x8



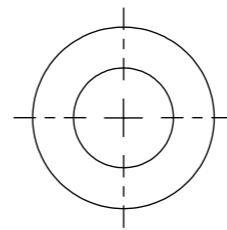
**H**  
x8



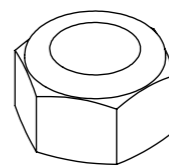
**E**  
x4



**G**  
x32



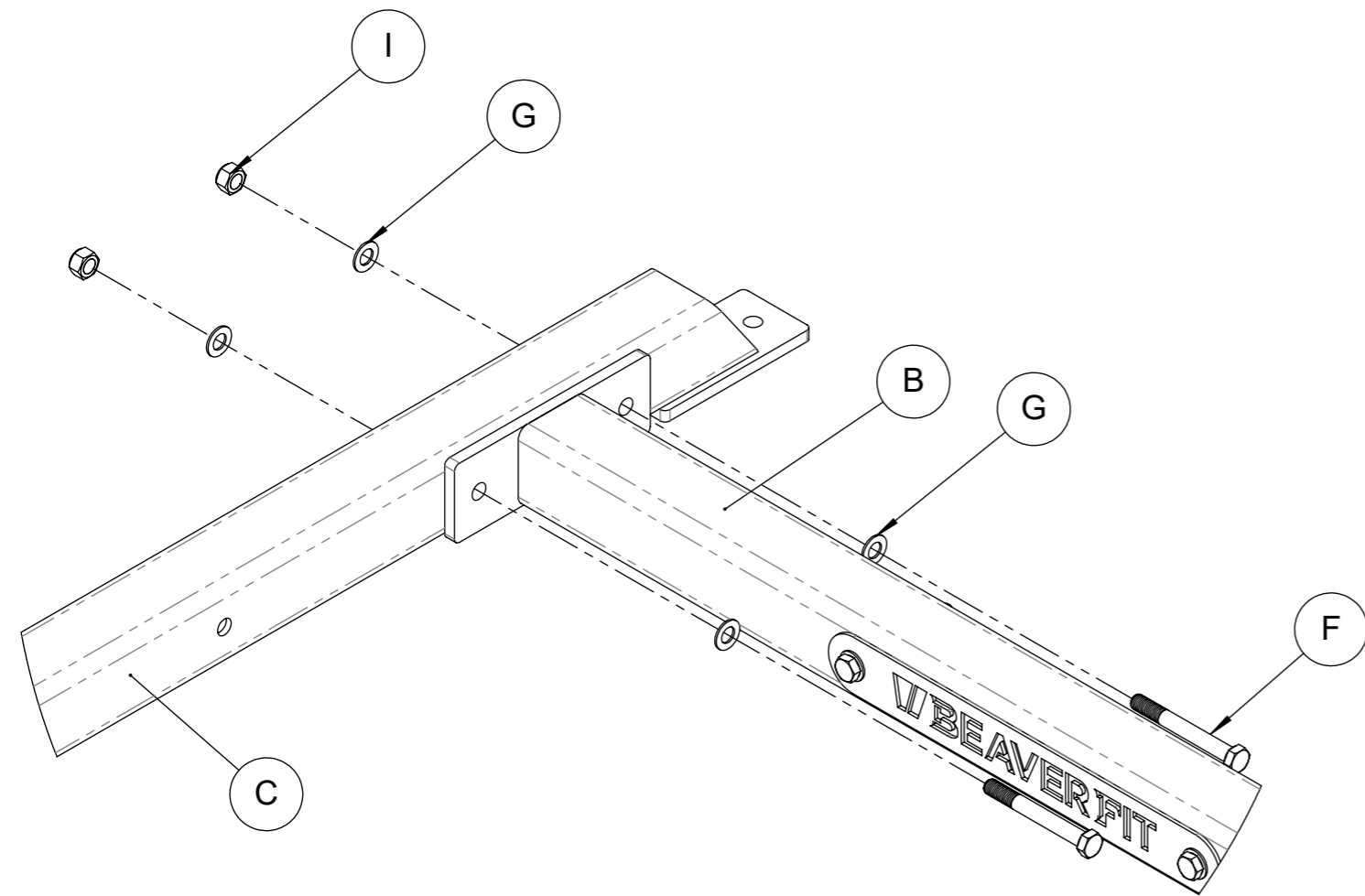
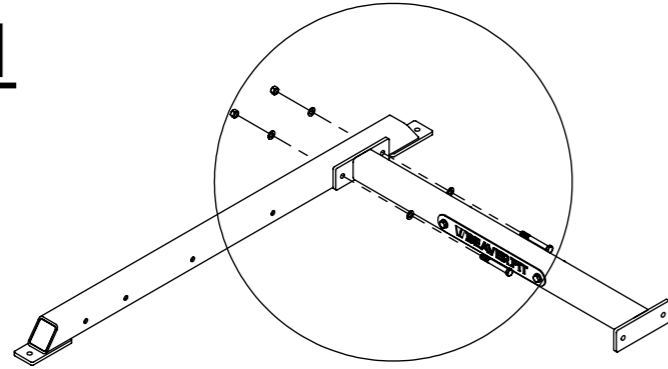
**I**  
x16



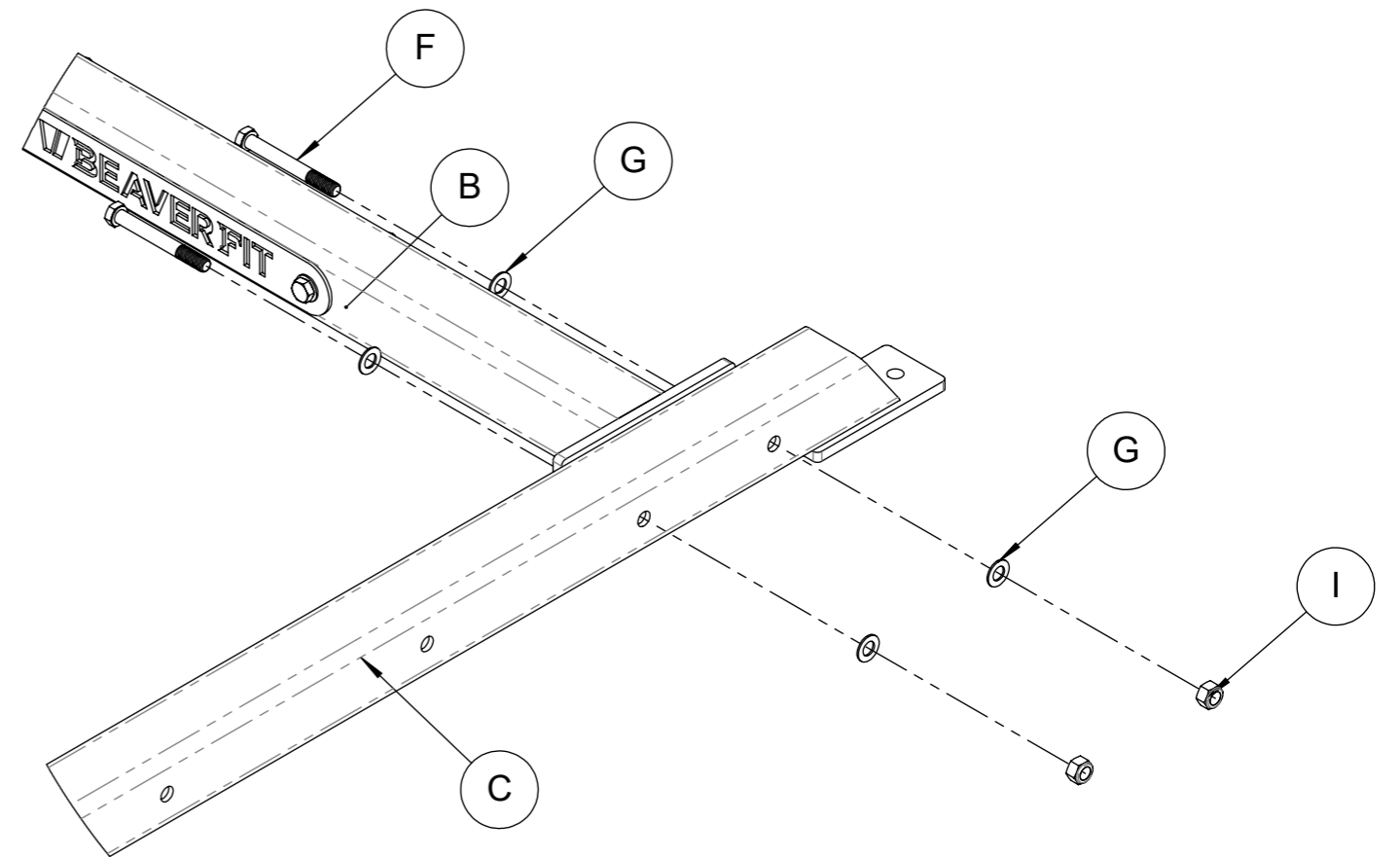
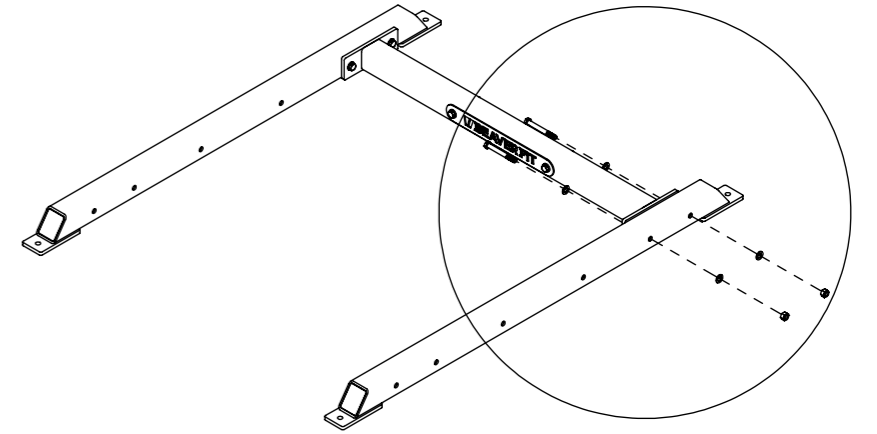
# BEAVERFIT - GARAGE RACK

## ASSEMBLY INSTRUCTIONS

### STEP 1

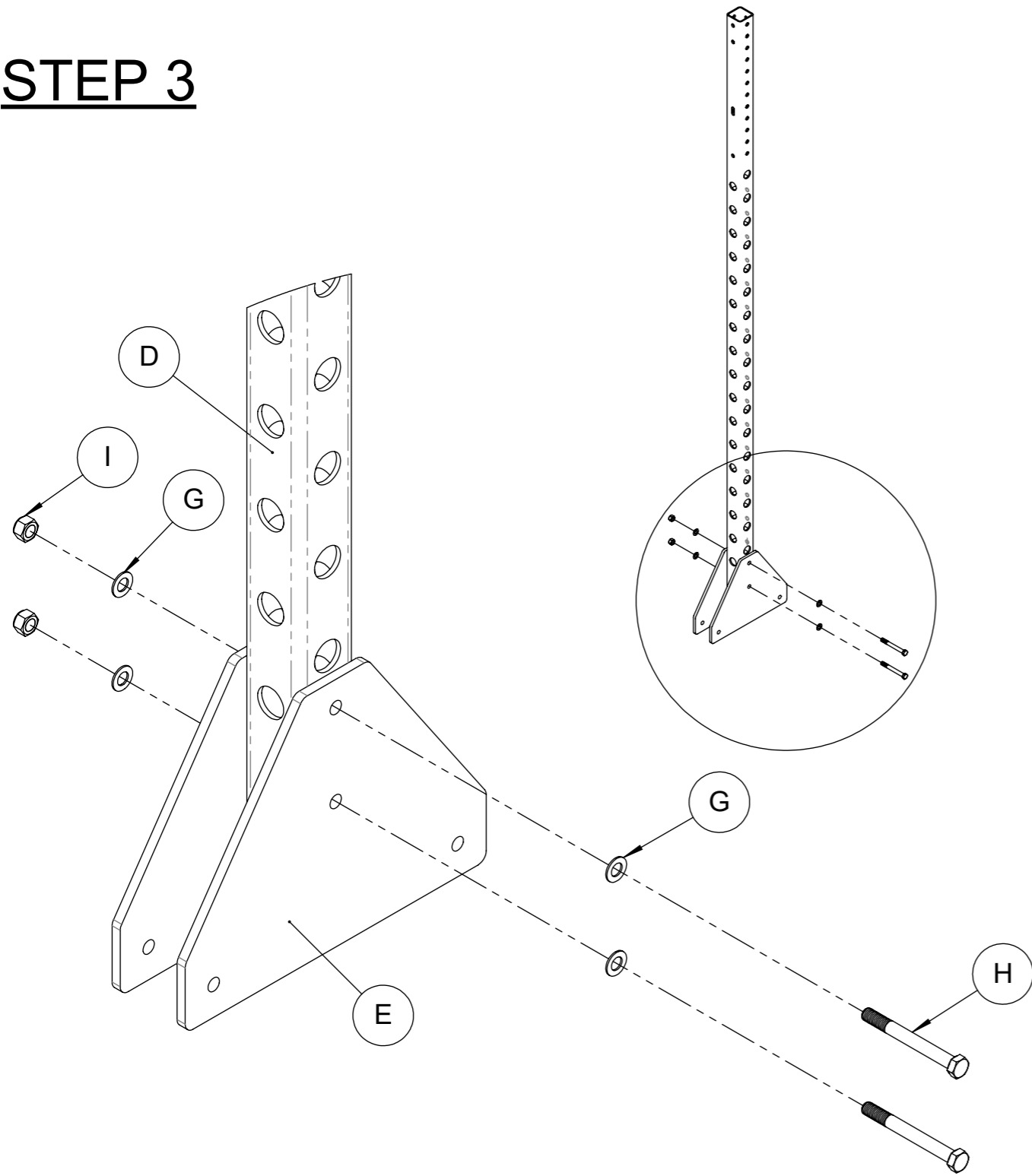


### STEP 2

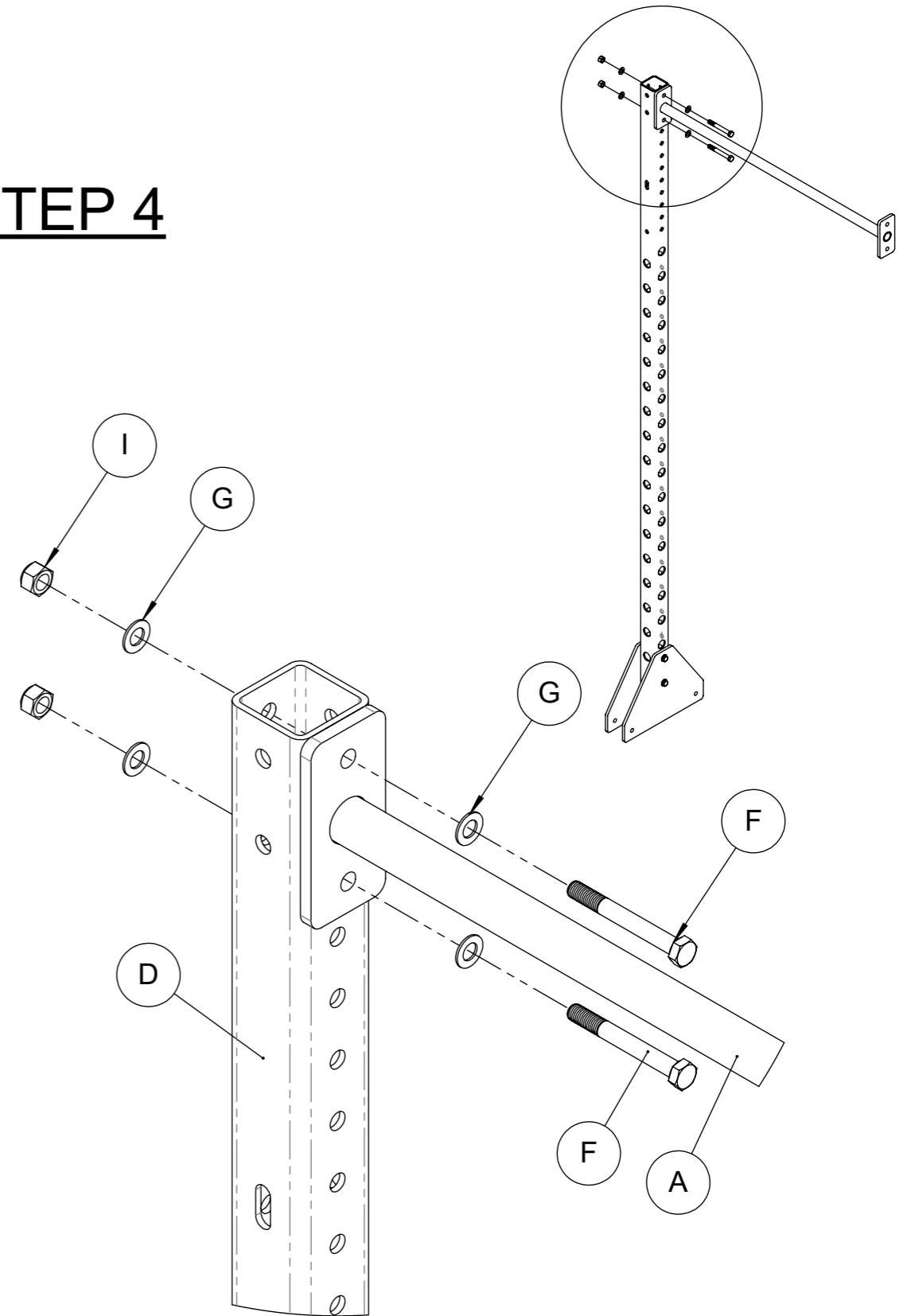


# **BEVERFIT - GARAGE RACK** **ASSEMBLY INSTRUCTIONS**

## **STEP 3**



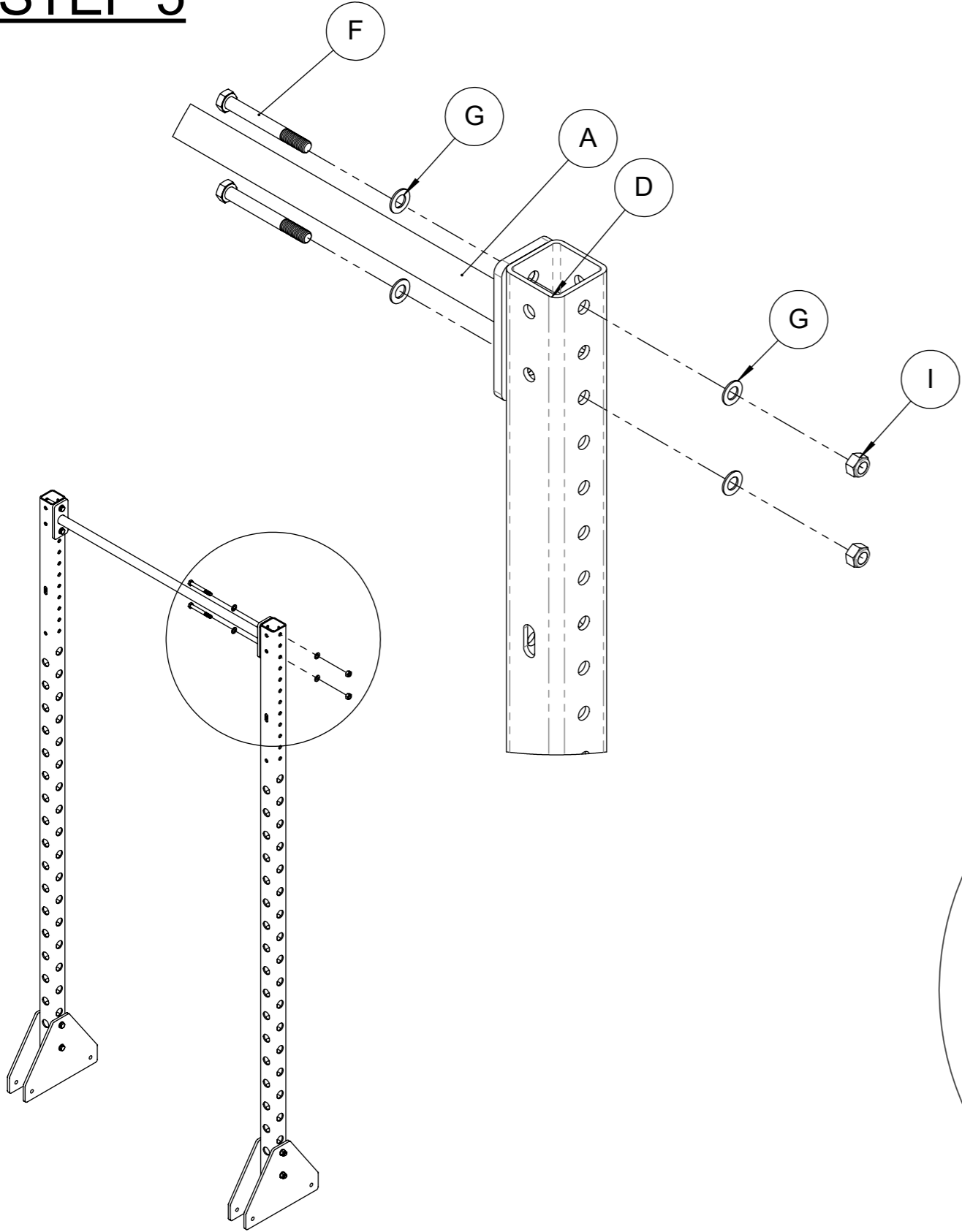
## **STEP 4**



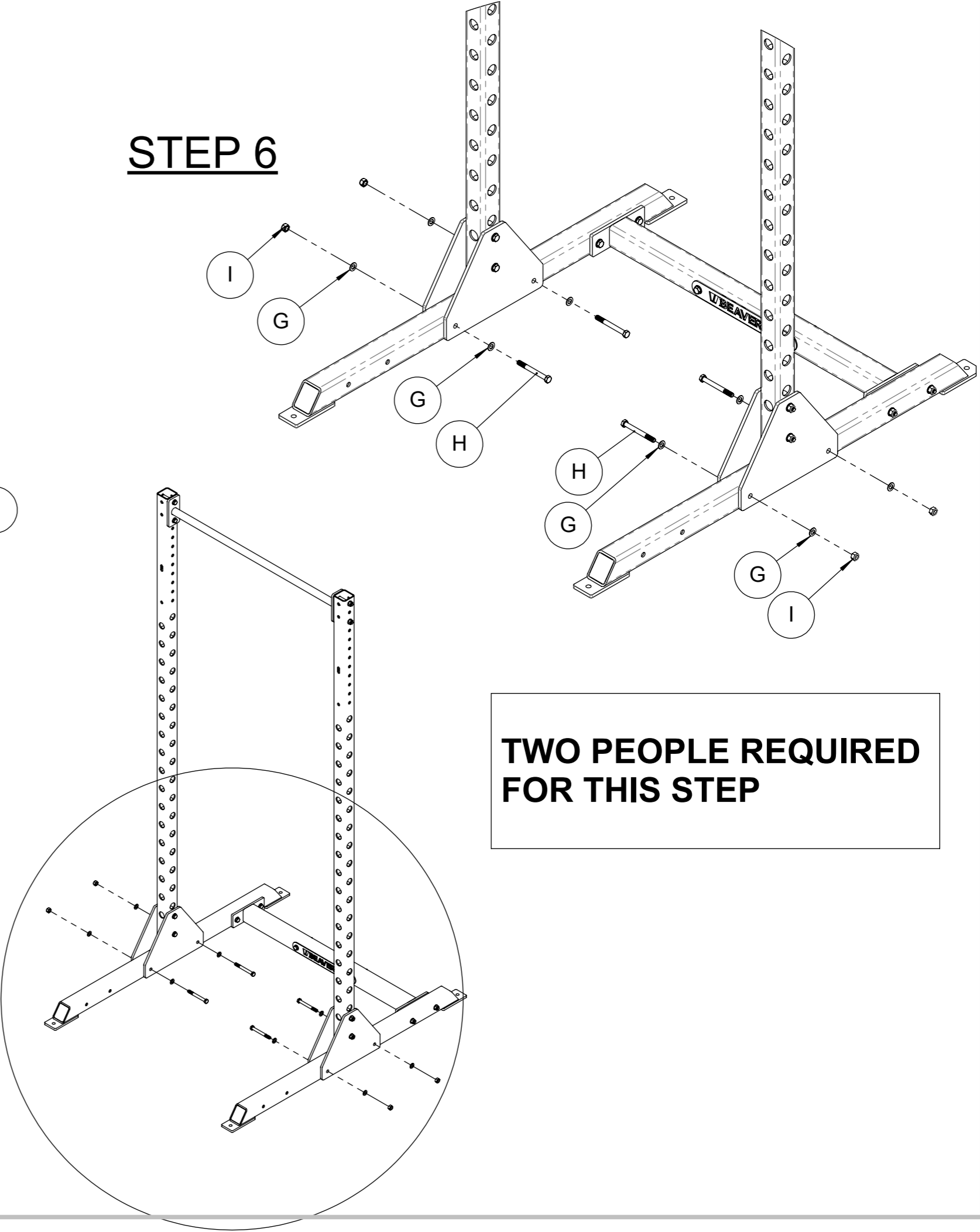
# **BEAVERFIT - GARAGE RACK**

## **ASSEMBLY INSTRUCTIONS**

### **STEP 5**



### **STEP 6**



**TWO PEOPLE REQUIRED  
FOR THIS STEP**