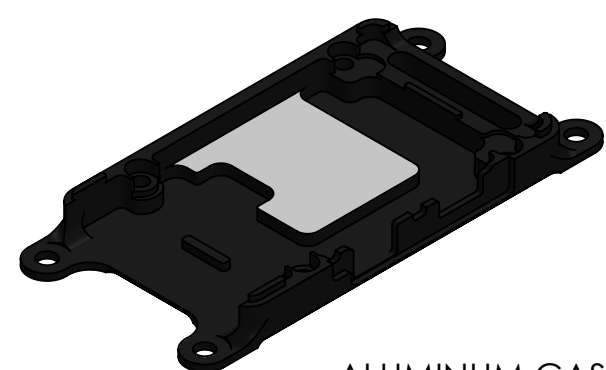
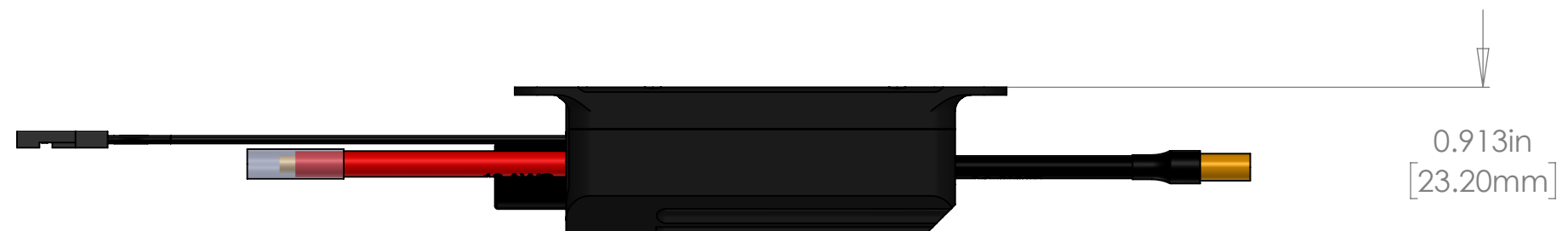
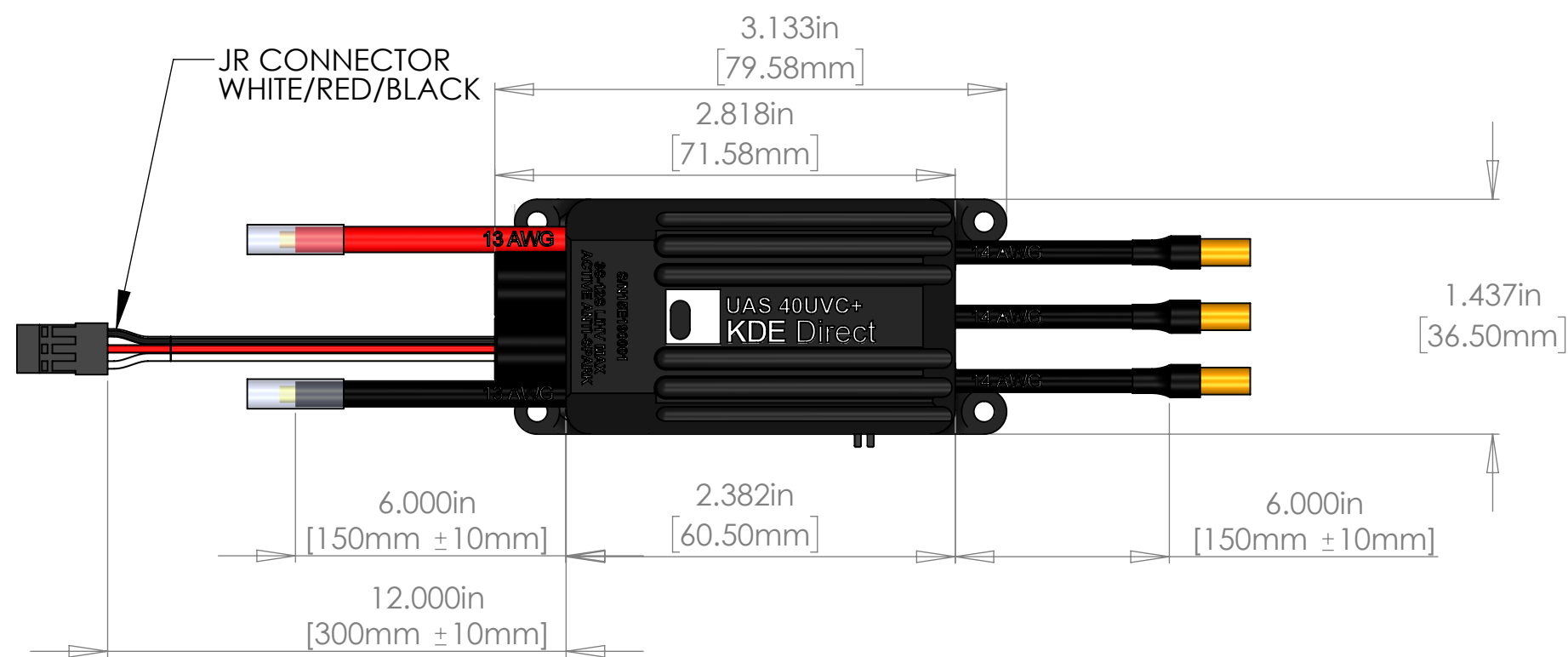
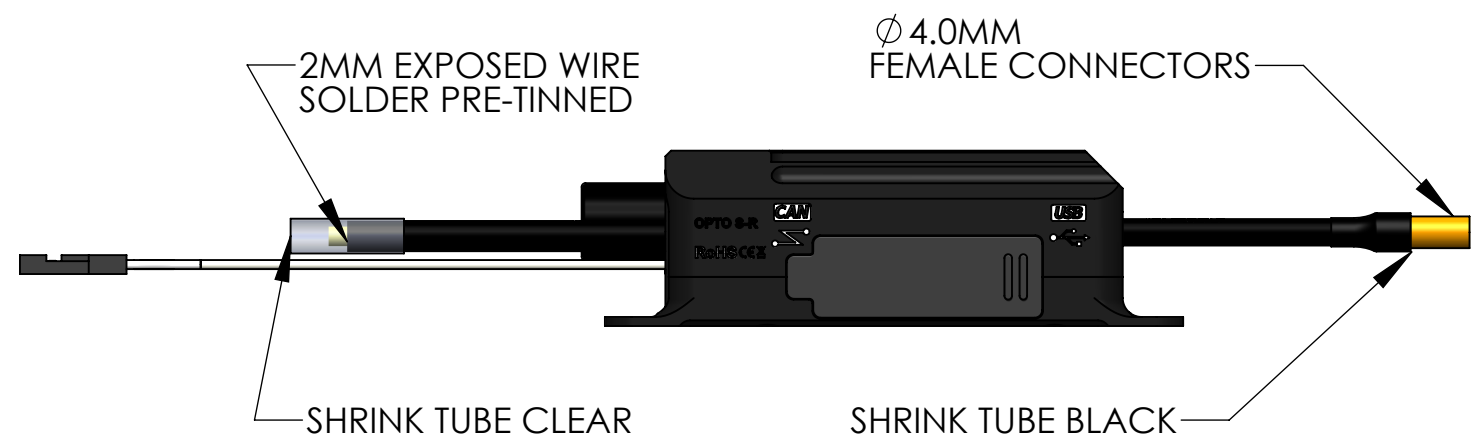
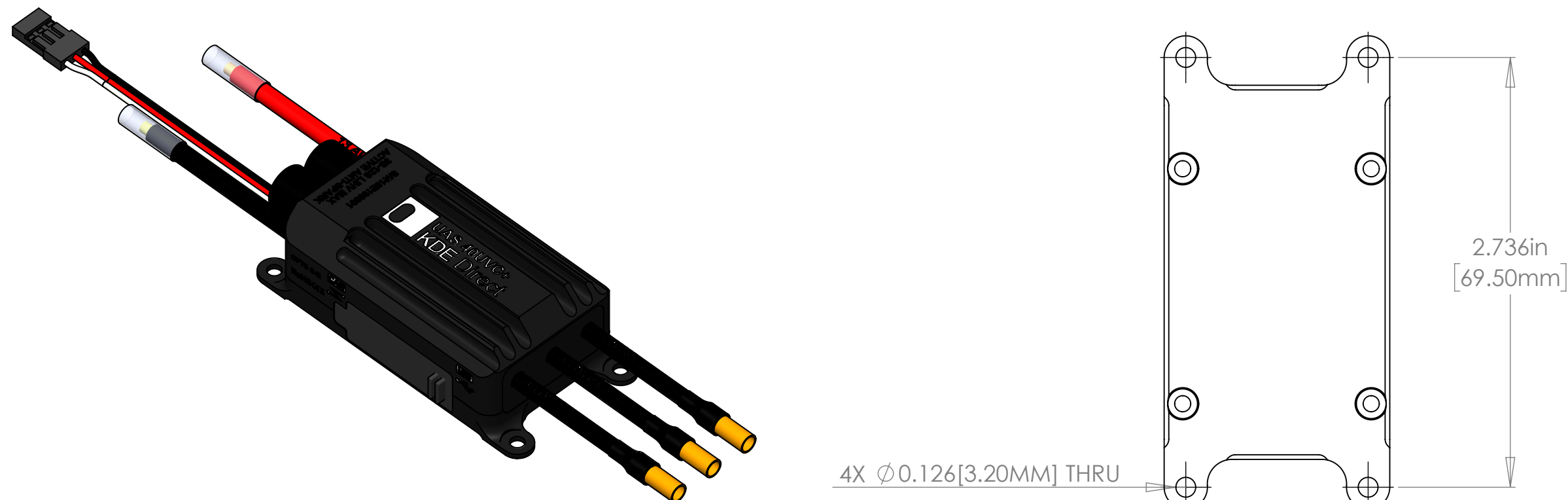


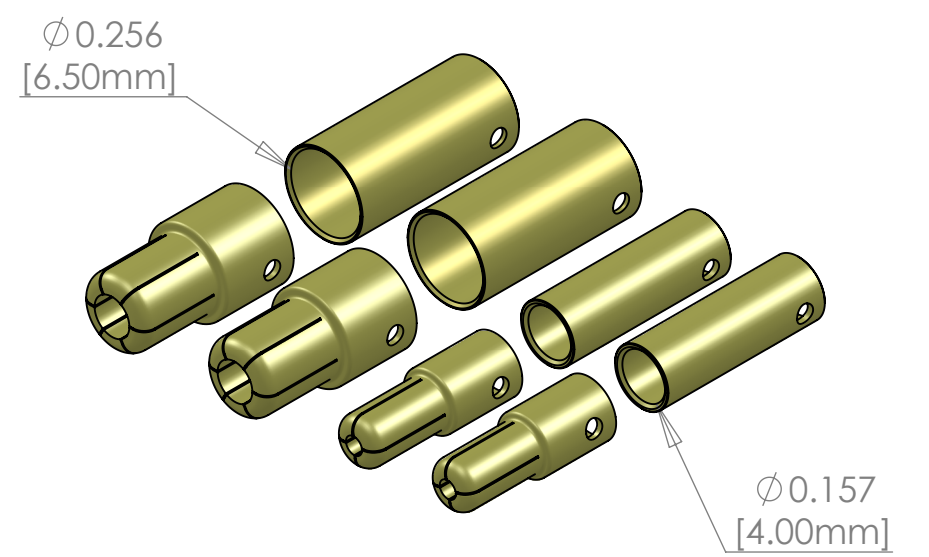
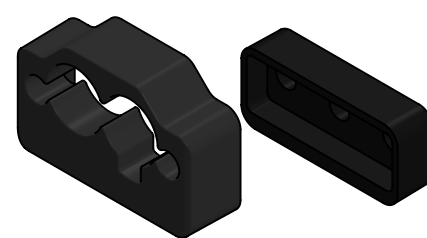
**KDE-UAS40UVC KDE DIRECT UAS ESC, 40A UHV
02/23/2021, ALUMINUM CASE EDITION**



ALUMINUM CASES (6061-T6)



MOLDED GROMMETS (RUBBERIZED POLYMER)



4.0MM BULLET CONNECTORS
24K, MATCHING PAIR (2 SETS)

6.5MM BULLET CONNECTORS
24K, MATCHING PAIR (2 SETS)



KDE DIRECT UAS ESC SPECIFICATIONS:

3S-14S Capable (63V Max), 40A Continuous
Opto-Isolation (Multi-Rotor Firmware)
Anti-Spark MOSFET Circuitry (S-R Designation)

6" (150mm) Power Lead Extensions
- (12AWG, Red/Black)
2.0mm Exposed Wire
- Pre-Soldered and Clear Shrink Wrap

6" (150mm) Motor Lead Extensions
- (13AWG, Black)
Ø 4.0mm Female 24K Bullets
- Pre-Soldered and Shrink Wrap

12" (300mm) Servo Lead Extension
- (22 AWG)
JR Connector, 3-Wire Installed
- (White/Red/Black)

Aluminum Case (Reference 3D Model for Geometry)
- (Black Anodize, CNC Machined Features)
- Laser-Etch Graphics
- Bold Text Fill
- Clear CNC

PCB Thermal Enhanced Contact with Aluminum Case
MOSFET Spec: FDMS86300DC

Molded Grommets at Power Leads
Molded Grommets at Motor Lead Extension Exits

REVISIONS

REV.	DESCRIPTION	DATE	APPROVED
A	Original production release.	02/23/2021	KDE