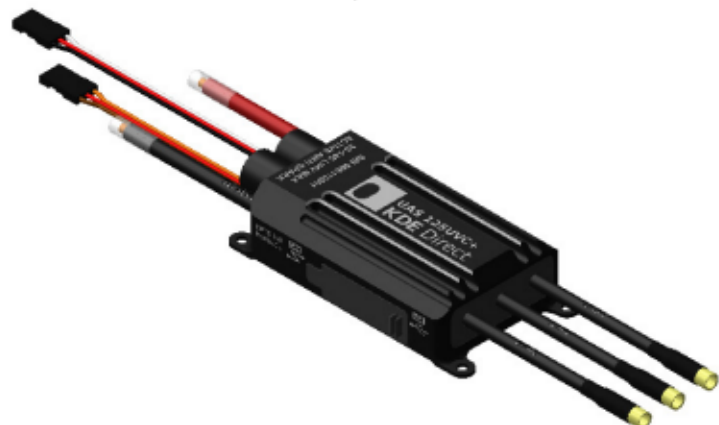


**KDE-UAS125UVC KDE DIRECT UAS ESC, 125A+ UHV
PRODUCTION RELEASE, IP66-RATING**



KDE DIRECT UAS ESC SPECIFICATIONS

4S-14S Capable (63V Max), 125A+ Continuous
Opto-Isolation (Multi-Rotor Firmware)
Anti-Spark MOSFET Circuitry (S-R Designation)
Advanced Current Detection and Overload Protection Circuitry

6" (150mm) Power Lead Extensions (10 AWG, Red/Black)
2.0mm Exposed Wire, Pre-Soldered and Clear Shrink Wrap

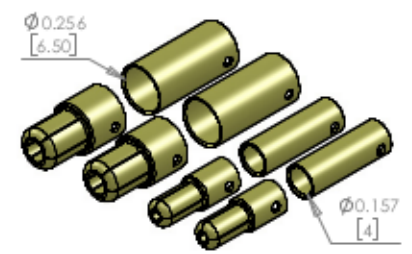
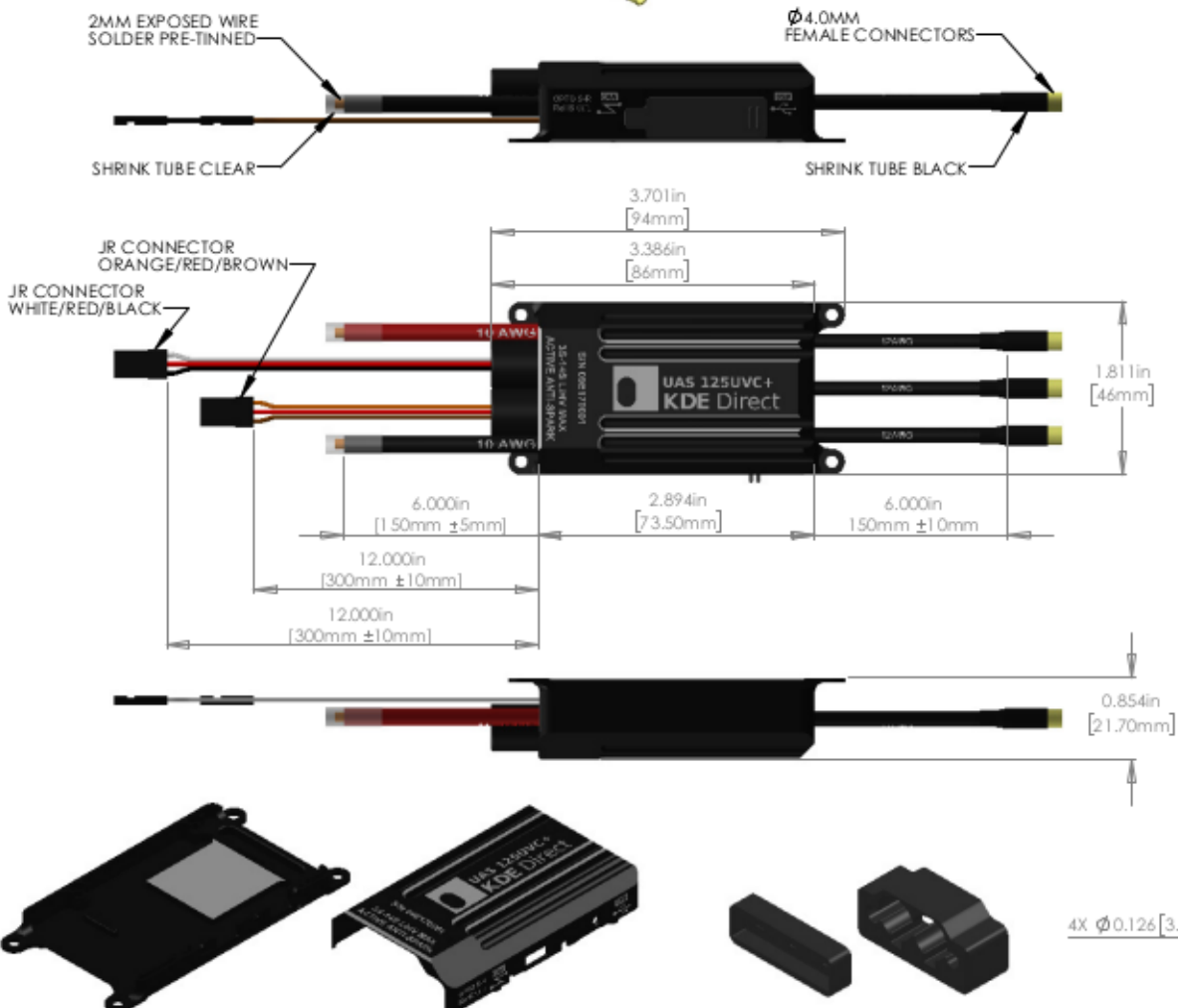
6" (150mm) Motor Lead Extensions (12 AWG, Black)
Ø4.0mm Female 24K Bullets, Pre-Soldered and Shrink Wrap

12" (300mm) Signal Lead Extension (22 AWG)
JR Connector, 3-Wire Installed (Orange/Red/Brown)
Motor Phase Transmission (e-RPM)

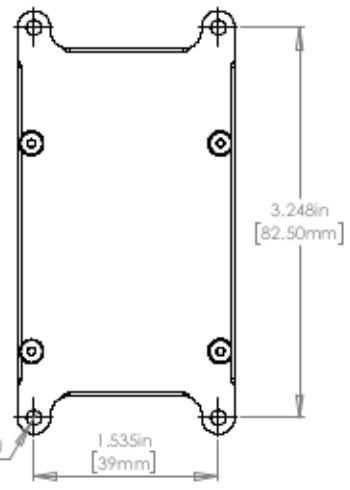
12" (300mm) Control Lead Extension (22 AWG)
JR Connector, 3-Wire Installed (White/Red/Black)
Control Signal Transmission

Aluminum Case (Black Anodize, CNC Machined Features)
- Laser-Etch Graphics, Bold Text Fill, Clear CNC

Molded Grommets at Power and Motor Lead Extension Exits



**4.0MM BULLET CONNECTORS
24K, MATCHING PAIR (2 SETS)**
**6.5MM BULLET CONNECTORS
24K, MATCHING PAIR (2 SETS)**



ALUMINUM CASES (6061-T6)

MOLDED GROMMETS (RUBBERIZED POLYMER)



www.KDEdirect.com

www.KDEDirect.com
KDE-UAS125UVC