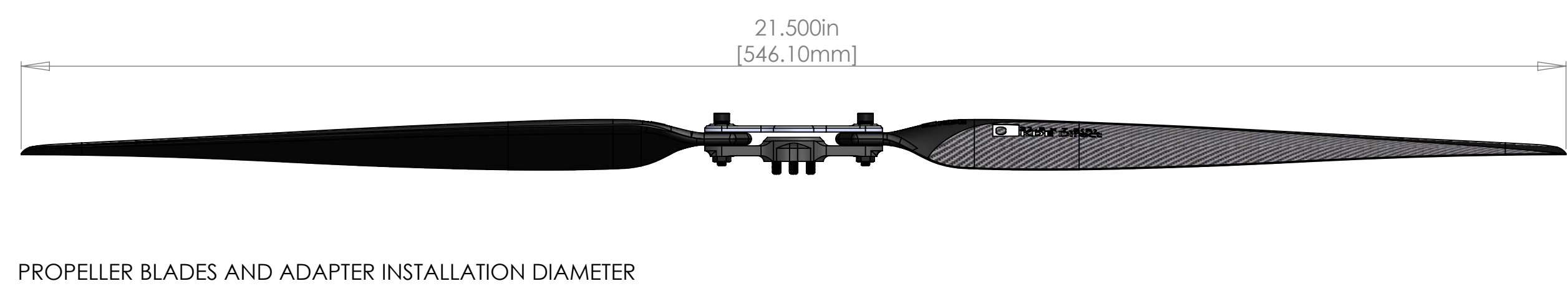
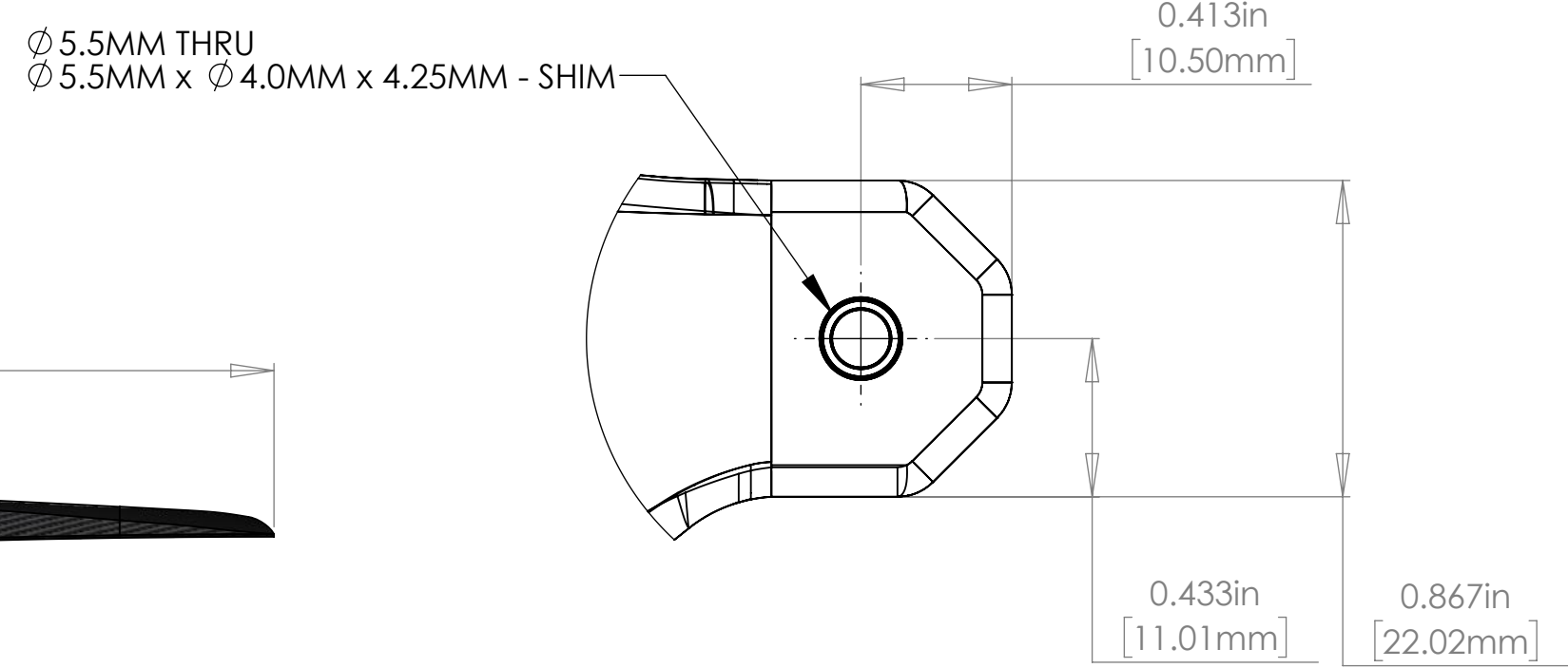
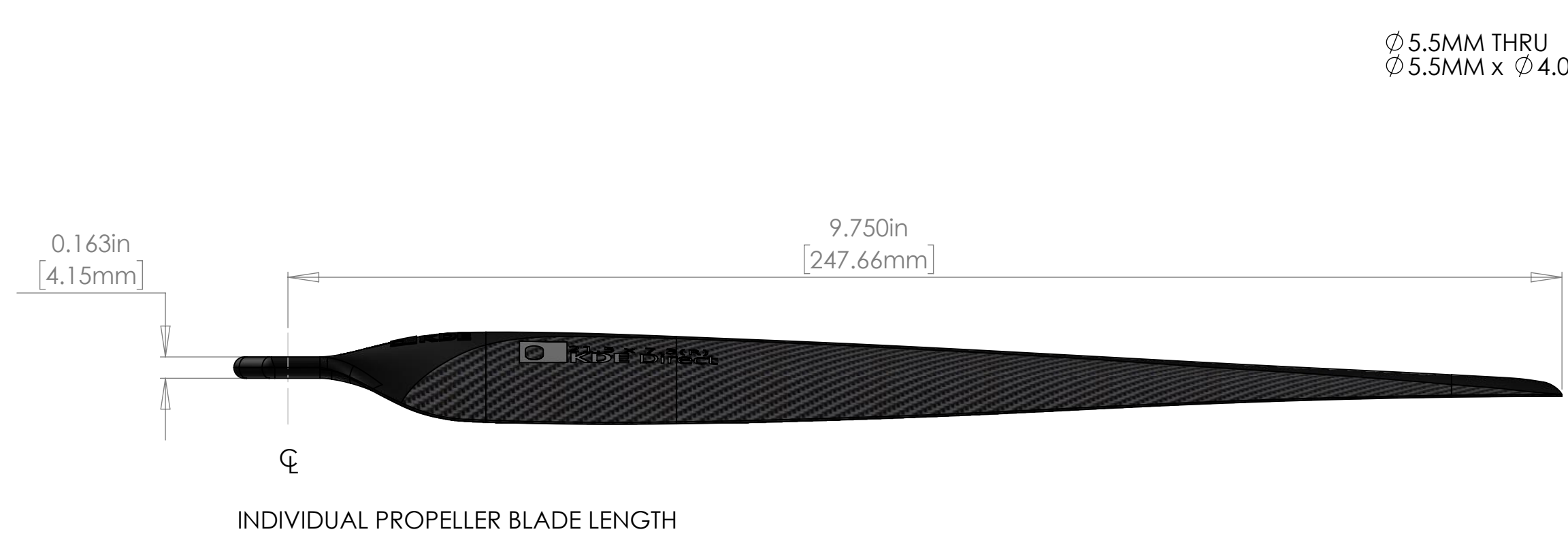


**KDE-CF215 KDE DIRECT CARBON FIBER PROPELLER BLADES, 21.5" x 7.3
PRODUCTION RELEASE**



Dual - Propeller Edition Includes
2 CW & 2CCW Balanced and Matched Propellers

Triple - Propeller Edition Includes
3 CW & 3 CCW Balanced and Matched Propellers



KDEDirect
www.KDEDirect.com
KDE-CF215