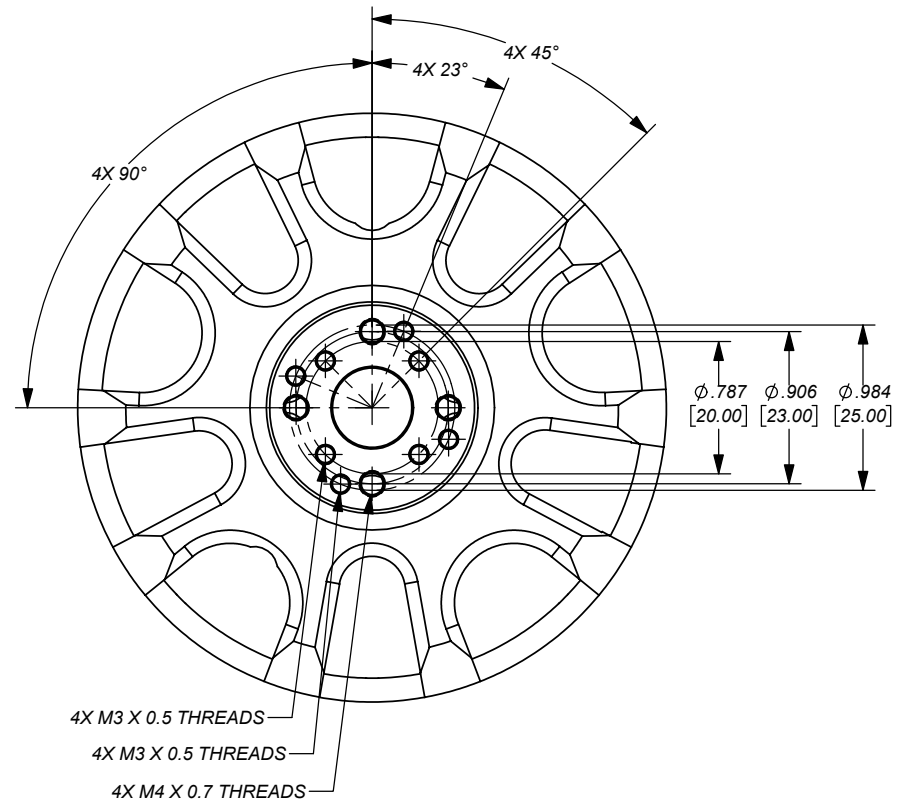
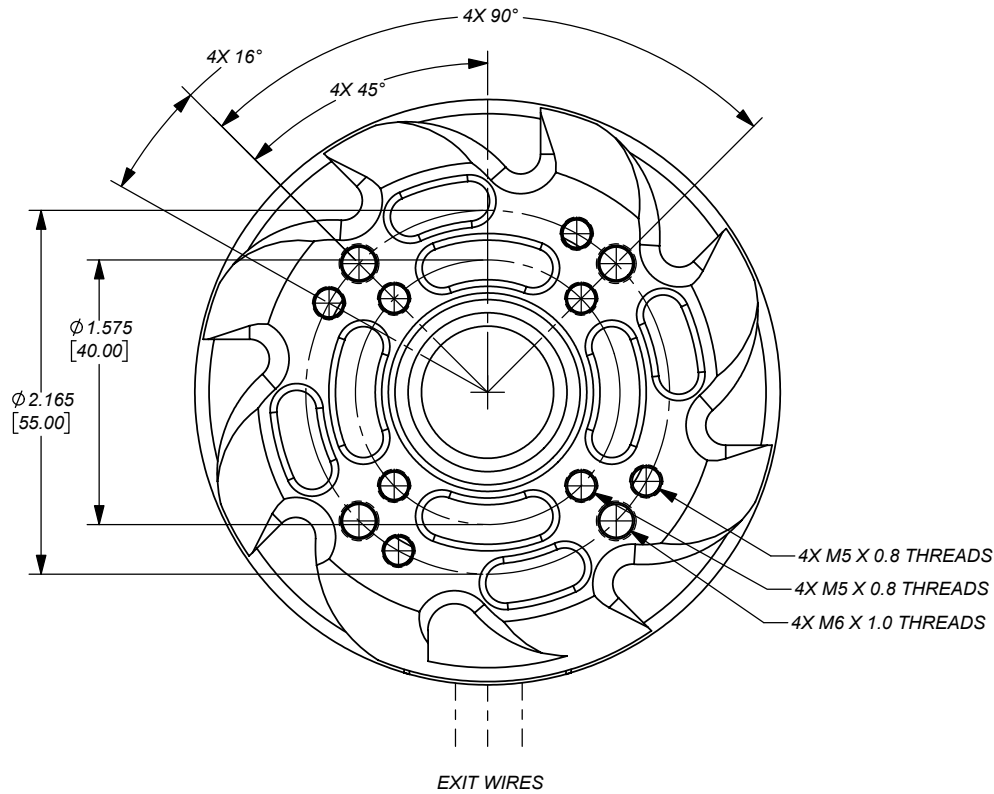
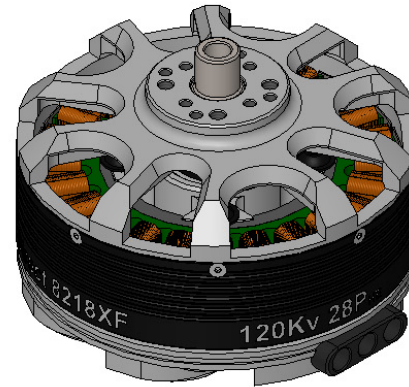
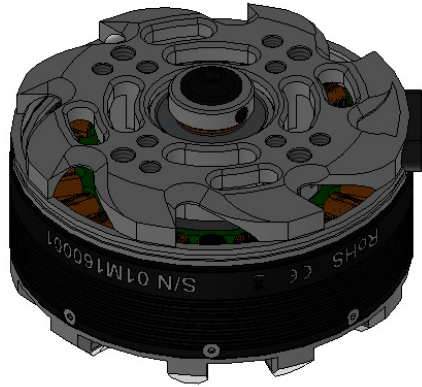


KDE DIRECT 82XX SERIES MOUNT SCHEMATIC

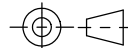
KDE8218XF-120 (HE)



UNLESS OTHERWISE SPECIFIED:
 1. ALL DIMENSIONS APPLY BEFORE PLATING OR COATING
 2. REMOVE ALL BURRS, BREAK SHARP EDGES .020 IN MAX.

IMPERIAL

THIRD ANGLE PROJECTION



TOLERANCES.

X . ± 0.040°
 XX ± 0.020°
 XXX ± 0.010°
 XXXX ± 0.005°
 ANGULAR ± 1°

DESIGNED KDE DIRECT
 DRAWN KDE DIRECT
 DATE XX/XX/XXXX

TITLE KDE DIRECT 82XX MOUNT SCHEMATIC

SIZE PART NO. KDE82XX SERIES

REV. **A**

DO NOT SCALE DRAWING

SCALE: 4:1 SHEET 1 OF 1