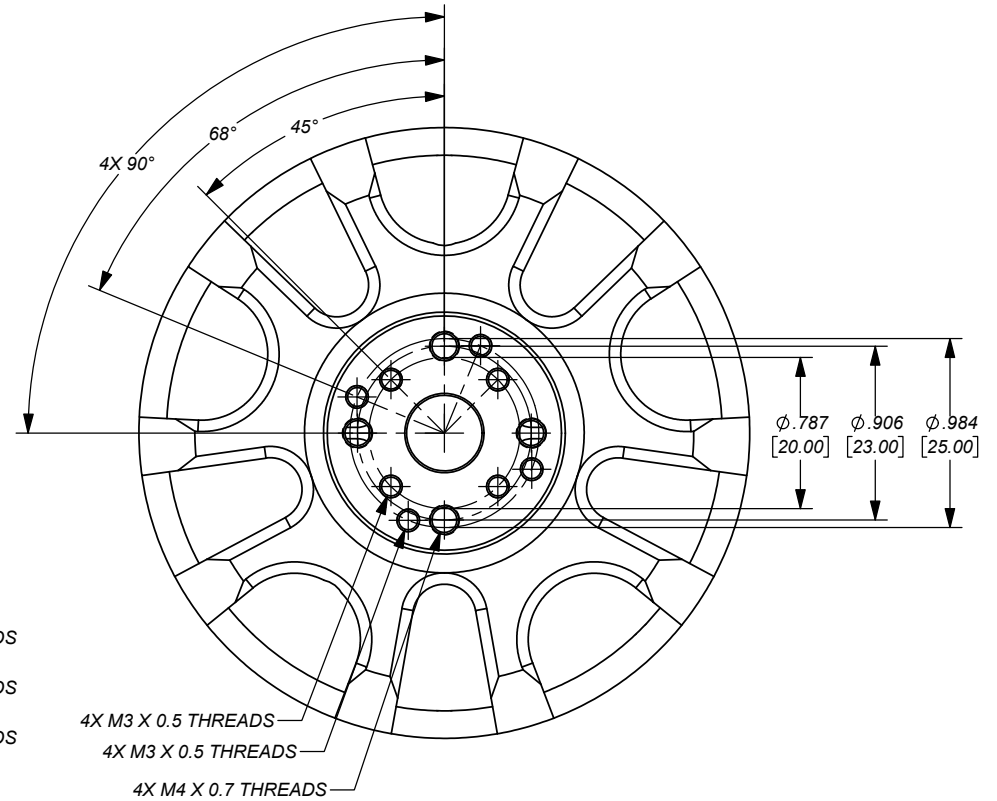
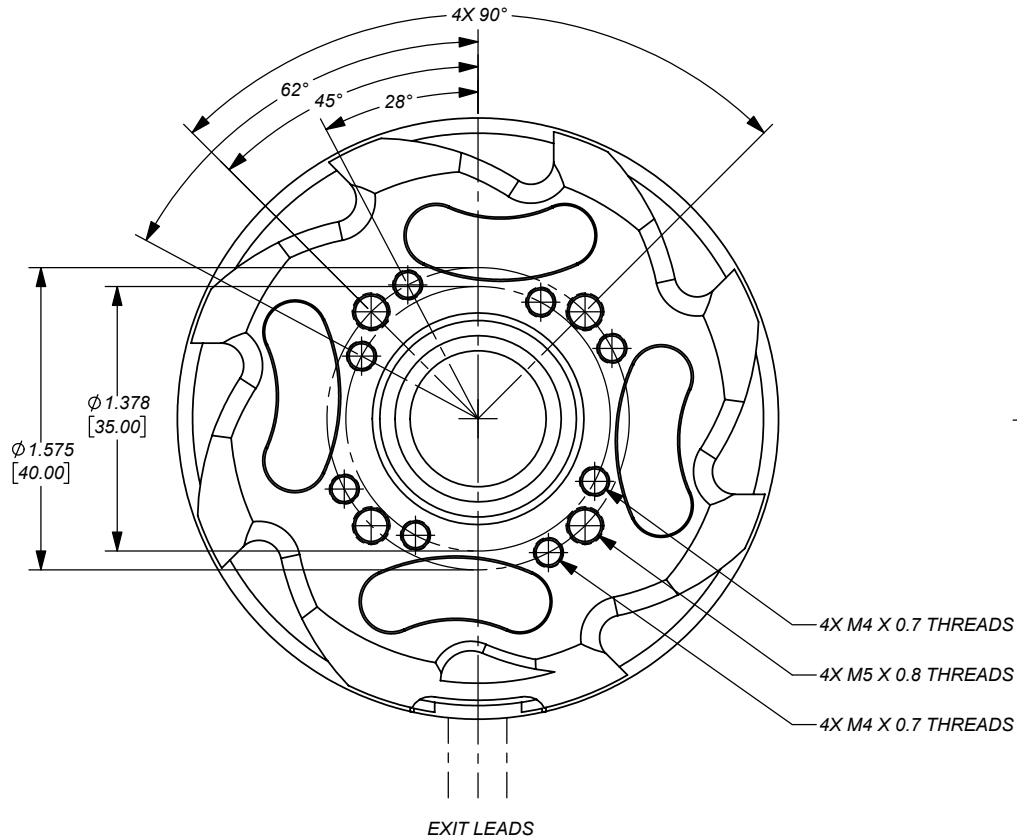
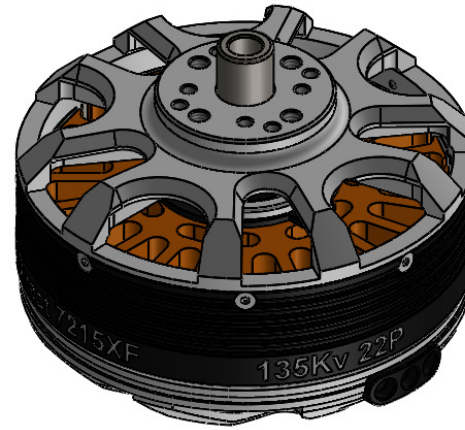


# KDE DIRECT 72XX SERIES MOUNT SCHEMATIC

KDE7208XF-110 (HE)

KDE7208XF-135 (HE)

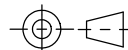
KDE7215XF-135



UNLESS OTHERWISE SPECIFIED:  
1. ALL DIMENSIONS APPLY BEFORE PLATING OR COATING.  
2. REMOVE ALL BURRS, BREAK SHARP EDGES .020 IN MAX.

IMPERIAL

THIRD ANGLE PROJECTION



TOLERANCES.

X. ± 0.040"  
XX ± 0.020"  
XXX ± 0.010"  
XXXX ± 0.005"  
ANGULAR ± 1°

DESIGNED KDE DIRECT  
DRAWN KDE DIRECT  
DATE XX/XX/XXXX

TITLE KDE DIRECT 72XX MOUNT SCHEMATIC

SIZE PART NO. KDE72XX SERIES

REV. A

DO NOT SCALE DRAWING

SCALE: 4:1 SHEET 1 OF 1