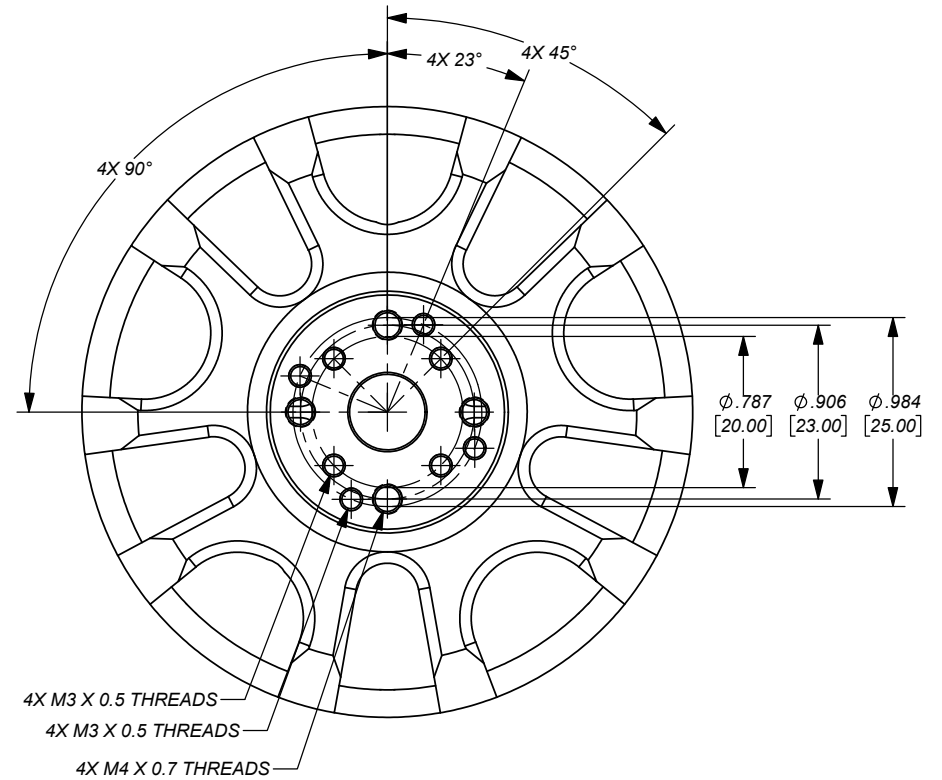
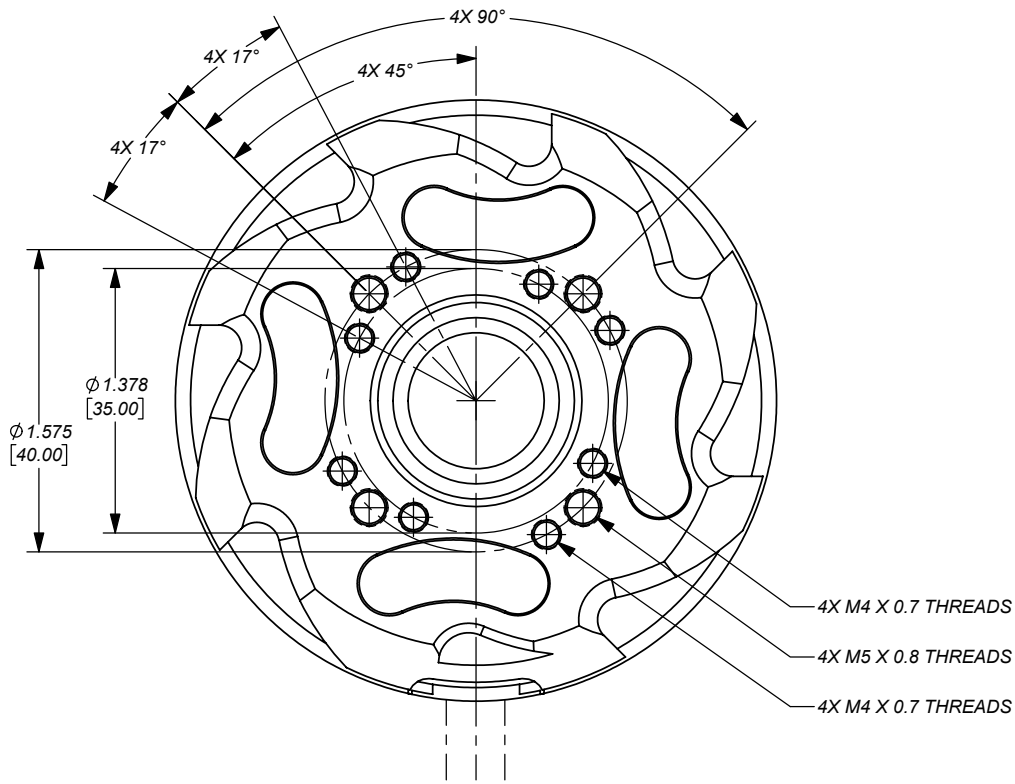
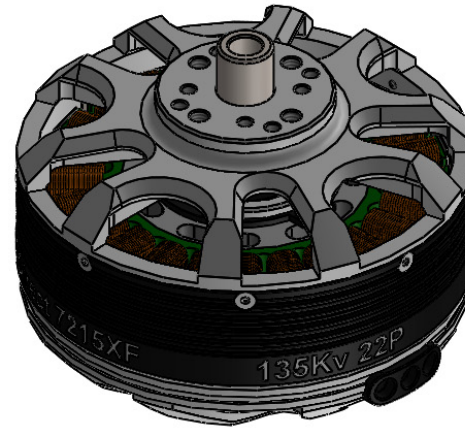


KDE DIRECT 72XX SERIES MOUNT SCHEMATIC

KDE7215XF-135

KDE7208XF-110 (HE)

KDE7208XF-135 (HE)

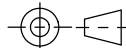


EXIT LEADS

UNLESS OTHERWISE SPECIFIED:
1. ALL DIMENSIONS APPLY BEFORE PLATING OR COATING
2. REMOVE ALL BURRS, BREAK SHARP EDGES .020 IN MAX.

IMPERIAL

THIRD ANGLE PROJECTION



TOLERANCES.

X. ± 0.040°
X.X ± 0.020°
X.XX ± 0.010°
X.XXX ± 0.005°
ANGULAR ± 1°

DESIGNED KDE DIRECT
DRAWN KDE DIRECT
DATE XX/XX/XXXX

TITLE KDE DIRECT 72XX MOUNT SCHEMATIC

SIZE PART NO. KDE72XX SERIES

REV. A

DO NOT SCALE DRAWING

SCALE: 4:1 SHEET 1 OF 1