

**KDE7215XF-135 KDE DIRECT XF BRUSHLESS MOTOR
PRODUCTION RELEASE**

KDE DIRECT XF BRUSHLESS MOTOR SPECS.

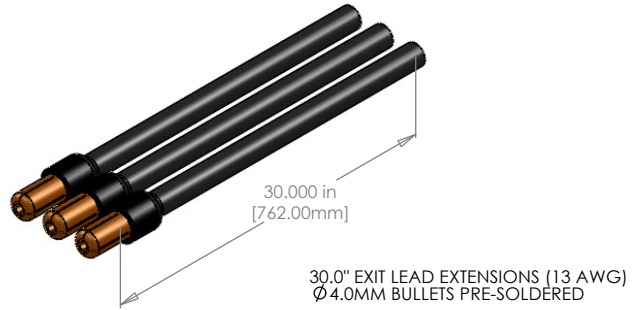
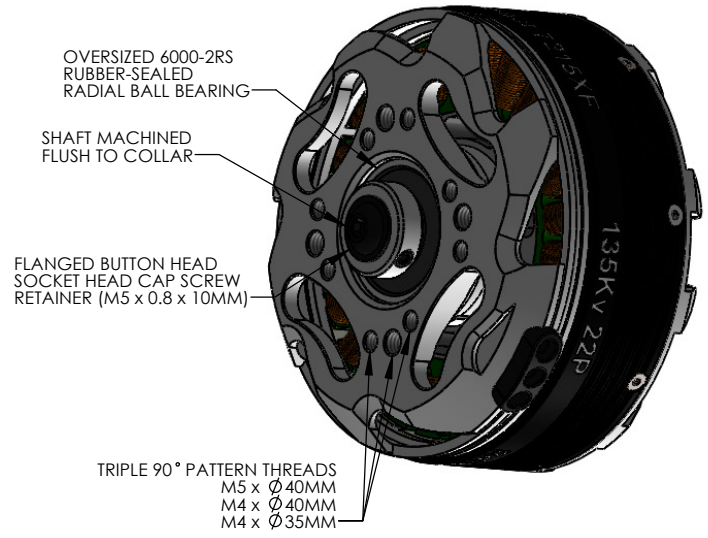
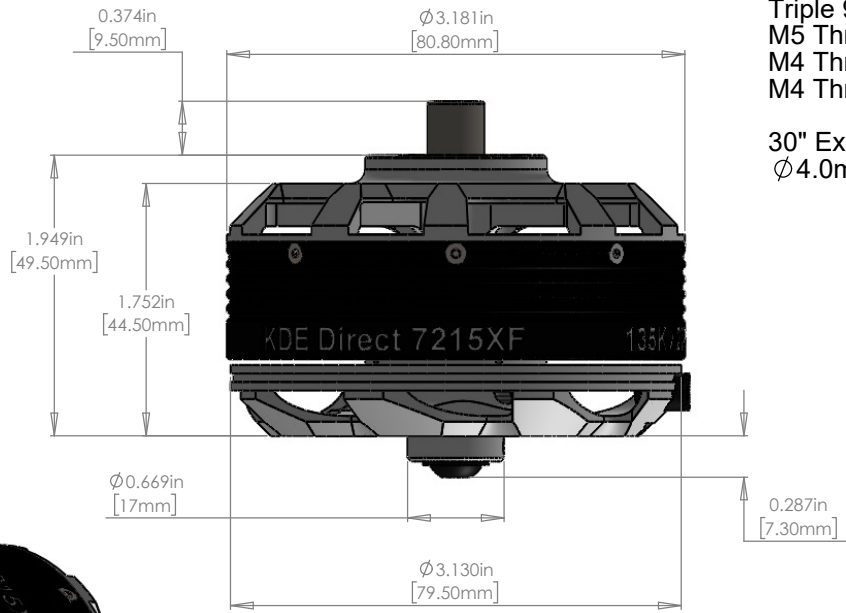
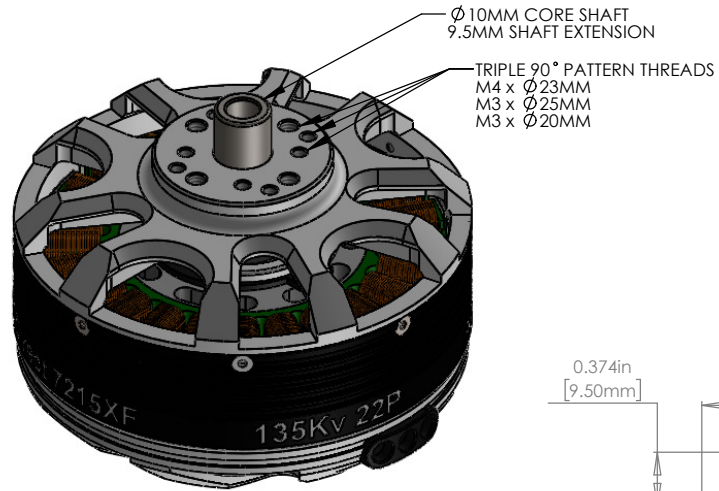
- Ø10mm Core Shaft
- Ø10mm, 9.5mm Extended Length
- Shaft Flush with Retaining Collar

- 6900-2RS Upper Bearing (Ø 10mm x Ø 22mm x 6mm)
- Double Upper Bearings
- 6000-2RS Lower Bearing (Ø 10mm x Ø 26mm x 8mm)
- All Bearings Dual Rubber-Sealed (2RS)

- Triple 90° Pattern Threads:
- M4 Threads x Ø23mm Spacing
 - M3 Threads x Ø25mm Spacing
 - M3 Threads x Ø20mm Spacing

- Triple 90° Pattern Threads:
- M5 Threads x Ø40mm Spacing
 - M4 Threads x Ø40mm Spacing
 - M4 Threads x Ø35mm Spacing

- 30" Exit Lead Extensions (13 AWG)
- Ø4.0mm 24k Bullets, Pre-Soldered and Shrink Wrap



KDEDirect

www.KDEDirect.com

www.KDEDirect.com
KDE7215XF-135