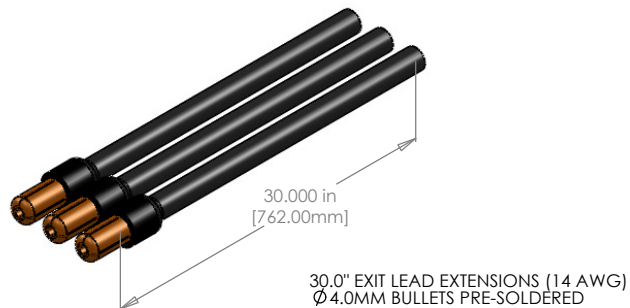
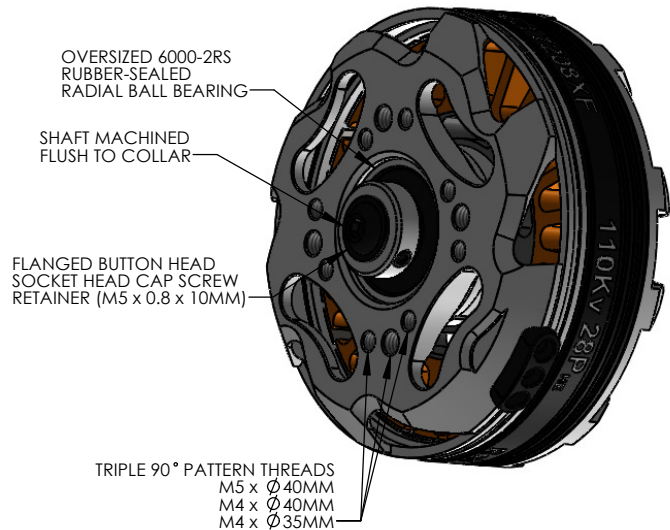
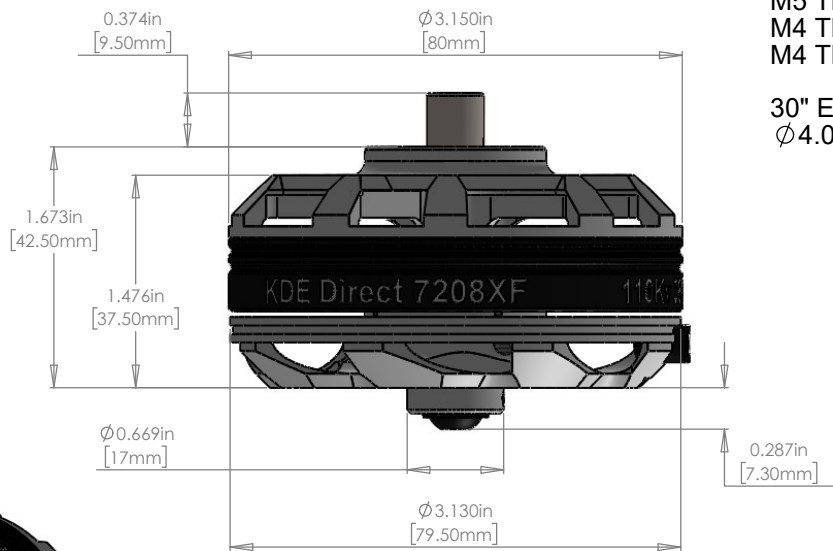
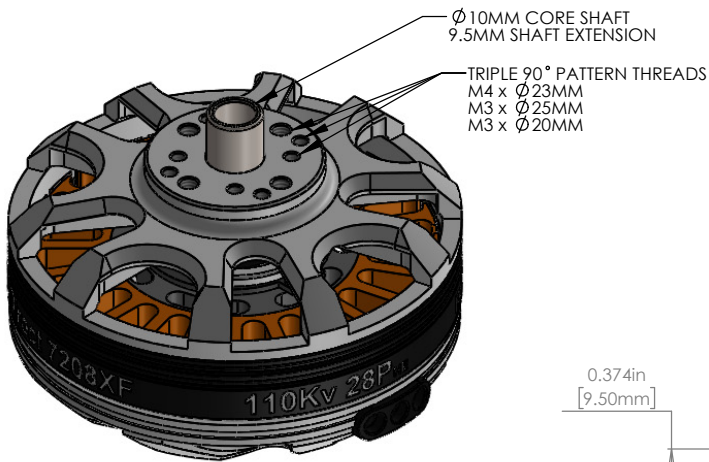


**KDE7208XF-110 (HE) KDE DIRECT UAS BRUSHLESS MOTOR
PRODUCTION RELEASE**



KDE DIRECT UAS BRUSHLESS MOTOR SPECS.

- \varnothing 10mm Core Shaft
- \varnothing 10mm, 9.5mm Extended Length
- Shaft Flush with Retaining Collar

- 6900-2RS Upper Bearing (\varnothing 10mm x \varnothing 22mm x 6mm)
- Double Upper Bearings
- 6000-2RS Lower Bearing (\varnothing 10mm x \varnothing 26mm x 8mm)
- All Bearings Dual Rubber-Sealed (2RS)

- Triple 90° Pattern Threads:
- M4 Threads x \varnothing 23mm Spacing
 - M3 Threads x \varnothing 25mm Spacing
 - M3 Threads x \varnothing 20mm Spacing

- Triple 90° Pattern Threads:
- M5 Threads x \varnothing 40mm Spacing
 - M4 Threads x \varnothing 40mm Spacing
 - M4 Threads x \varnothing 35mm Spacing

- 30" Exit Lead Extensions (14 AWG)
- \varnothing 4.0mm 24k Bullets, Pre-Soldered and Shrink Wrap



www.KDEDirect.com
KDE7208XF-110