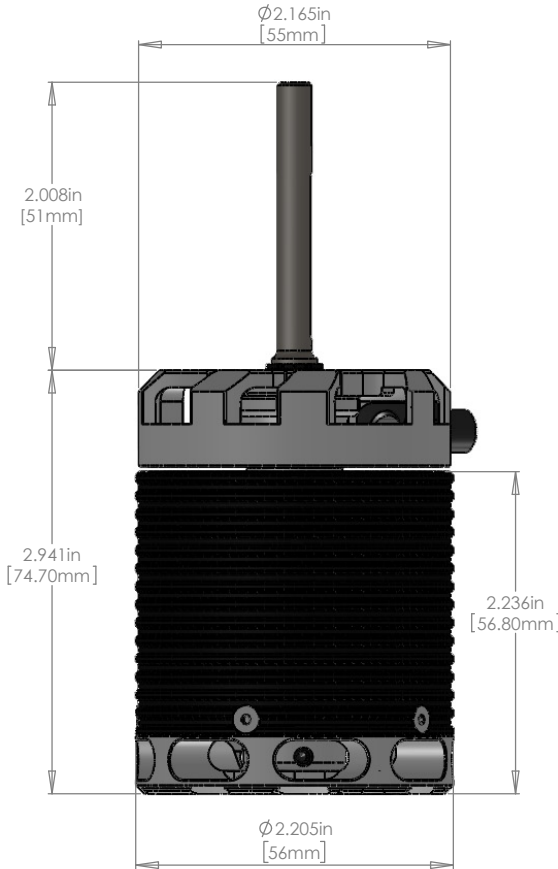
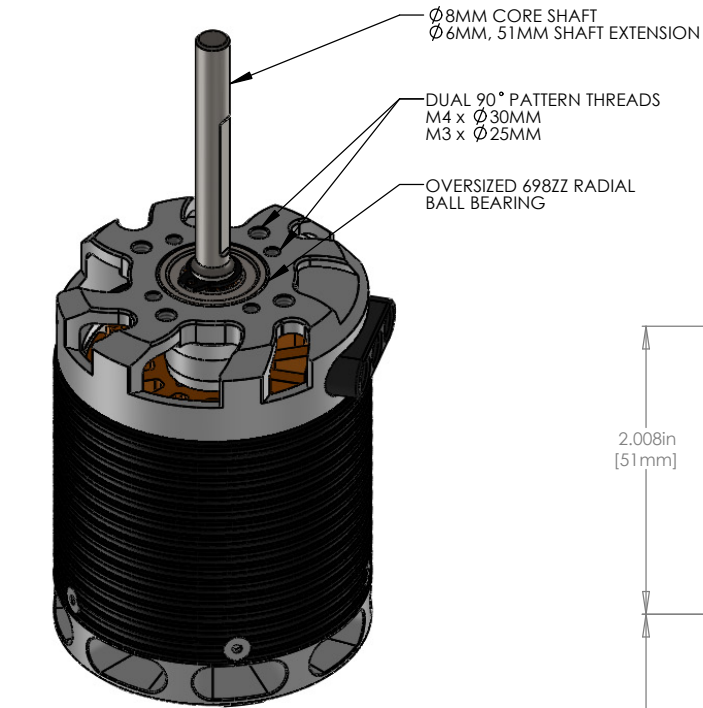


**KDE700XF-295 KDE DIRECT XF BRUSHLESS MOTOR, GEN3  
PRODUCTION RELEASE**



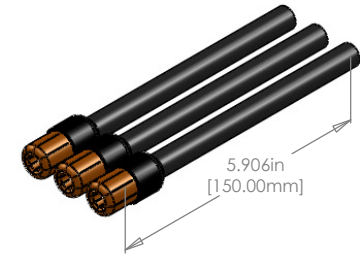
**KDE DIRECT XF BRUSHLESS MOTOR SPECS.**

$\varnothing$ 8mm Core Shaft  
 $\varnothing$ 6mm, 51mm Extended Length  
 - Shaft Flush with Centrifugal Fan Surface

698ZZ Upper Bearing ( $\varnothing$ 8mm x  $\varnothing$ 19mm x 6mm)  
 MR148ZZ Lower Bearings ( $\varnothing$ 8mm x  $\varnothing$ 14mm x 4mm)  
 - Triple Lower Bearings

Dual 90° Pattern Threads:  
 M4 Threads x  $\varnothing$ 30mm Spacing  
 M3 Threads x  $\varnothing$ 25mm Spacing

150mm Exit Lead Extensions (10 AWG)  
 $\varnothing$ 6.5mm 24K Bullets, Pre-Soldered and Shrink Wrap



150.0MM EXIT LEAD EXTENSIONS (10 AWG)  
 $\varnothing$ 6.5MM MALE BULLETS PRE-SOLDERED



[www.KDEDirect.com](http://www.KDEDirect.com)  
**KDE700XF-295-G3**