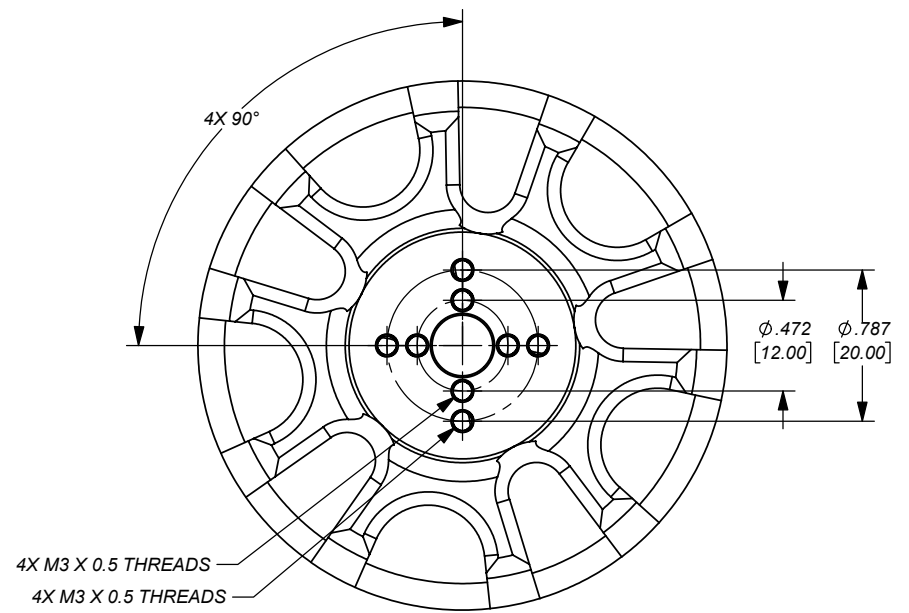
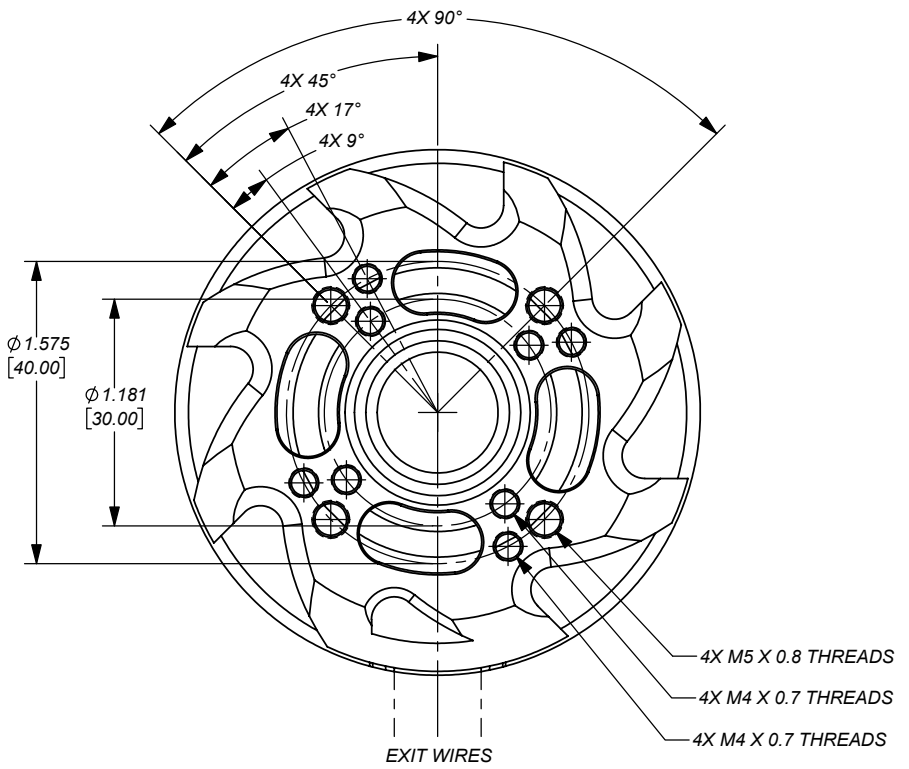
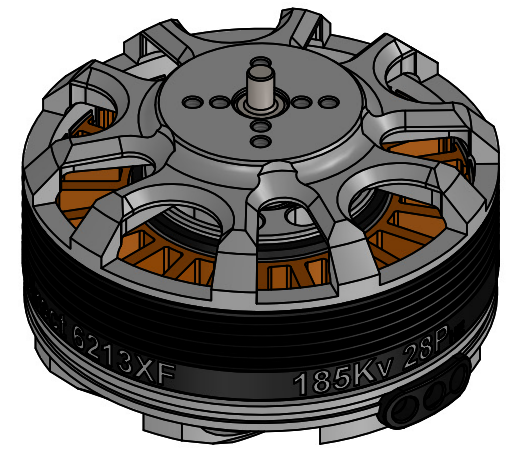
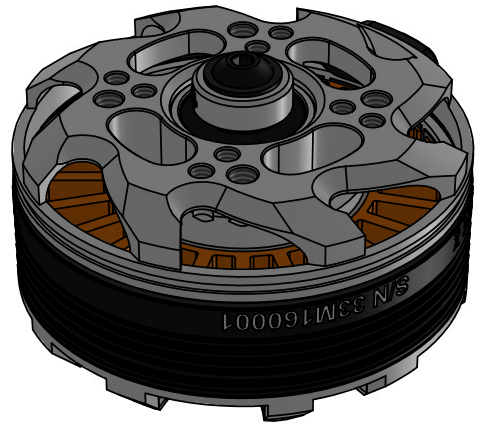


KDE DIRECT 62XX SERIES MOUNT SCHEMATIC
KDE6213XF-185 (HE)



UNLESS OTHERWISE SPECIFIED:
 1. ALL DIMENSIONS APPLY BEFORE PLATING OR COATING
 2. REMOVE ALL BURRS, BREAK SHARP EDGES .020 IN MAX.

IMPERIAL THIRD ANGLE PROJECTION

TOLERANCES.

X	± 0.040"
X.X	± 0.020"
X.XX	± 0.010"
X.XXX	± 0.005"
ANGULAR	± 1°

DESIGNED	KDE DIRECT
DRAWN	KDE DIRECT
DATE	XX/XX/XXXX

DO NOT SCALE DRAWING

TITLE	KDE DIRECT 62XX MOUNT SCHEMATIC	
SIZE	PART NO.	KDE62XX SERIES

REV. **A**